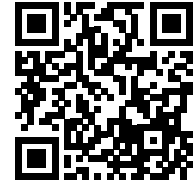


# Welcome to **b-hyve™**

SMART WIFI  
INDOOR SPRINKLER TIMER



Scan for full  
User Manual  
bhyve.orbitonline.com



## Contents in the Box

- Wi-Fi Indoor Sprinkler Timer
- Screwdriver
- Mounting Screws and Anchors
- Transformer
- Quick Start Guide
- Conduit Cover

## FCC and IC Statemen

This device complies with Part 15 of the FCC Rules and Industry Canada license exempt RSS standards. Operation is subject to the following two conditions: (1) This device may not cause harmful interference, and (2) this device must accept any interference received, including interference that may cause undesired operation.

**FCC Warning:** Any changes or modifications not expressly approved by the party responsible for compliance could void the user's authority to operate this equipment.  
**Note:** This equipment has been tested and found to comply with the limits for a Class B digital device, pursuant to Part 15 of the FCC Rules. These limits are designed to provide reasonable protection against harmful interference in a residential installation. This equipment generates, uses, and can radiate radio frequency energy and, if not installed and used in accordance with the instructions, may cause harmful interference to radio communications. However, there is no guarantee that interference will not occur in a particular installation. If this equipment does cause harmful interference to radio or television reception, which can be determined by turning the equipment off and on, the user is encouraged to try to correct the interference by one of the following measures:

- Reorient or relocate the receiving antenna.
  - Increase the separation between the equipment and the receiver.
  - Connect the equipment into an outlet on a circuit different from that to which the receiver is connected.
  - Consult the dealer or an experienced radio/TV technician for help.
- This device meets the FCC and IC requirements for RF exposure in public or controlled environments. The end user is advised to maintain a distance of 20 cm from the controller and any personnel to ensure compliance with RF exposure regulations.

This Class B digital apparatus complies with Canadian ICES-003

## Déclaration de FCC et l'IC

Cet appareil est conforme à la section 15 de la Règlementation de la FCC et la norme RSS d'Industry Canada.

Son fonctionnement est soumis aux deux conditions suivantes: (1) cet appareil ne doit pas causer d'interférences nuisibles, et (2) cet appareil doit tolérer toutes les interférences, dont les interférences pouvant causer un fonctionnement non désiré. Cet appareil numérique de classe B est conforme à la norme canadienne ICES-003.

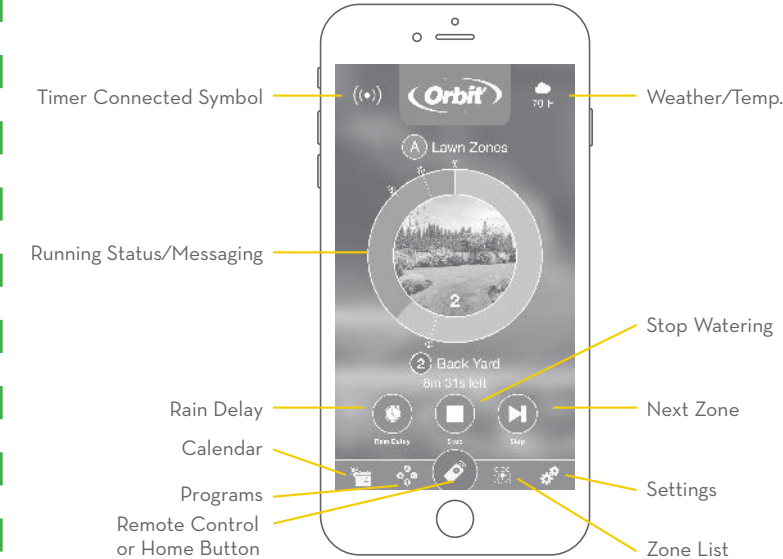
**Remarque:** cet appareil été testé et déclaré conforme aux limites d'exposition pour les appareils numériques de classe B, selon la section 15 de la Règlementation de la FCC. Ces limites sont conçus pour fournir une protection raisonnable contre les interférences nuisibles dans une installation résidentielle. Cet appareil produit, utilise et peut émettre de l'énergie radio fréquence et, si elle n'est pas installée et utilisée conformément aux instructions, peut causer des interférences nuisibles aux communications radio. Cependant, il n'est pas garantie que des interférences ne se produisent pas dans une installation particulière. Si cet appareil cause des interférences gênantes à la réception d'un signal radio ou de télévision, ce qui peut être déterminé en allumant et en éteignant l'appareil, l'utilisateur peut corriger les interférences en suivant une des mesures suivantes :

- Réorientez ou repositionnez l'antenne de réception.
- Augmentez la distance entre l'appareil et le récepteur.
- Branchez l'appareil dans une prise sur un circuit différent du circuit sur lequel le récepteur est branché.
- Consulter le revendeur ou un technicien radio/TV expérimenté pour obtenir de l'aide.

Cet appareil est conforme aux exigences de la FCC et de l'IC concernant l'exposition aux ondes dans un environnement public ou contrôlé. Il est conseillé à l'utilisateur final de maintenir une distance de 20 cm du contrôleur pour assurer la conformité aux réglementations d'exposition RF. Information de conformité pour le Canada

## The B-hyve™ App

- **Install the B-hyve™ app on your smart device**  
You will need a smart device to connect the timer to Wi-Fi.
- **Note:** The app will guide you through initial set up of your sprinkler timer. In addition, there are help icons throughout the app with more information and useful tips.



## Specifications

**Rated input:**  
Australia—240V AC 50/60Hz 23W  
Europe—230V AC 50/60Hz 23W  
USA—120V AC 60Hz 23W  
Max Consumption: 24W

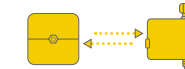
**Max load:**  
AUS & EU—26V AC 750 mA 50/60 Cycle  
USA—26V AC 750 mA 60Hz

**Temperature Operating Range:**  
Operating: 32-158° F (0-70° C)  
Storage & transport: 32-176° F (20-80° C)

**Humidity Operating Range:**  
Operating: 0-80%  
Storage & transport: 0-90%

**Altitude:**  
6,500' (2,000 meters)  
Installation Class II  
Over Voltage Category II

Acts as a hub for other B-hyve™ products



## Help

If the app and the website don't have what you're looking for, please call our technical support line before returning this sprinkler timer to the store.

1-800-488-6156 or 1-801-299-5555  
www.orbitonline.com | bhyve.orbitonline.com

<b>Orbit</b> 1-801-299-5555 orbitonline.com	<input type="checkbox"/> Deline <input type="checkbox"/> Dims./Callout <input type="checkbox"/> Fold <input type="checkbox"/> Product Coverage <input type="checkbox"/> Glue	<input type="checkbox"/> PMS Cool Gray 10 <input type="checkbox"/> PMS 7405 <input type="checkbox"/> PMS K <input type="checkbox"/> PMS 0000	PRINTERS ARE REQUIRED TO MATCH ALL UNCOLORED PRE-COLORS. Printers are responsible for meeting print production requirements. Any changes must be approved by Orbit. Printed piece must meet designated specifications on this form.
DATE: 11/07/2017	<input checked="" type="checkbox"/> Folded L: 11.5" W: 4.75" H: 4.75"	<input type="checkbox"/> Flat L: 19" W: 4.75" H: 4.75"	Additional Information • • •
DESIGNER: KM    MARKETING: MS	© 2016 Orbit Inc. This work is the property of Orbit and cannot be used, reproduced or distributed in any way without their express permission.		
ARTWORK N°: 57915-50 rA			
SOFTWARE: Adobe Indesign CC			

## Timer Installation

### Select a location

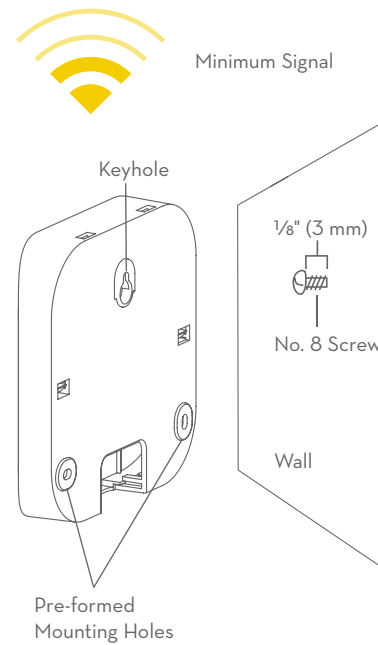
Choose a location near power and away from direct sunlight, if possible. Make sure to leave room for the timer door to open completely.

This location should also have a good Wi-Fi signal. You can check this using a smart phone. (Find a location that has a minimum of two bars)

- **Note:** If replacing a timer, it is helpful to take a photo of the wires before you remove them from the old timer.

### Mount the timer

Install a screw (included) into the wall. Use the expanding anchors (included) for plaster, masonry or drywall installations. Hang the timer on the installed screw using the keyhole slot. Level the timer and use the second screw in one of the preformed mounting holes to secure the timer.



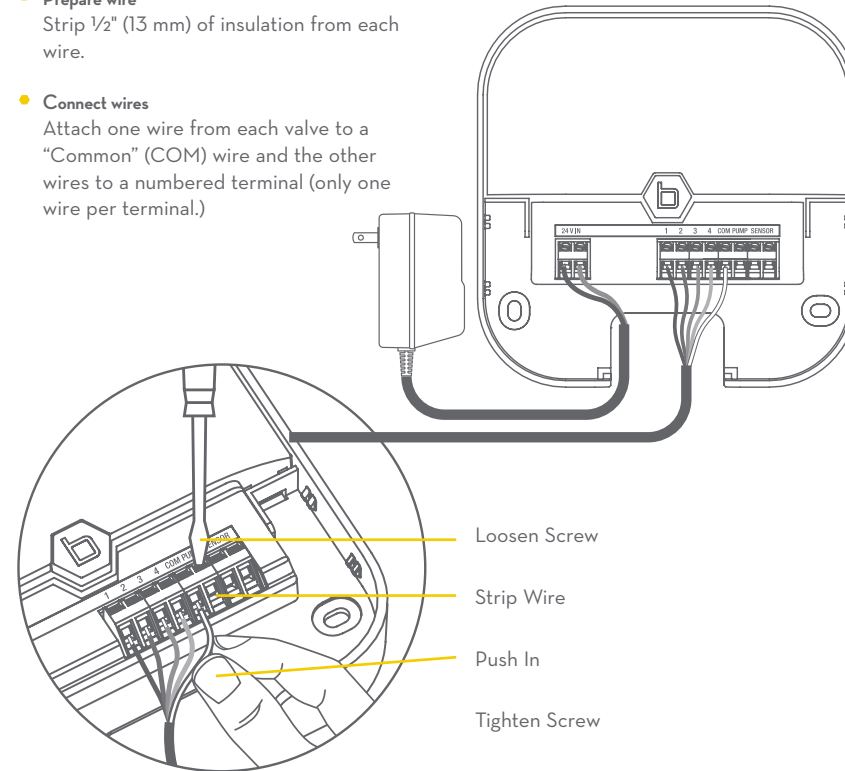
## Connect Valve Wires

### Prepare wire

Strip 1/2" (13 mm) of insulation from each wire.

### Connect wires

Attach one wire from each valve to a "Common" (COM) wire and the other wires to a numbered terminal (only one wire per terminal.)



## Timer Installation—Connecting to Wi-Fi

### Plug in your Orbit® B-hyve™ timer

Once your B-hyve™ timer is plugged into the power source, it will automatically look to pair with your smart device. The will begin to blink blue. This indicates that your timer is ready to pair with your smart device. Ensure that your smart device has its Bluetooth™ turned on.

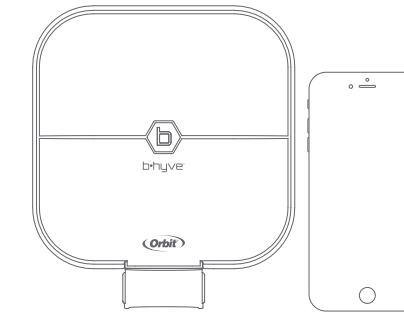
### Connect to your Orbit® B-hyve™ timer

Open your B-hyve™ app, create an account or login, and follow the step-by-step process to add and set up your device. The B-hyve™ app will connect to your device and you will, then, be guided to connect to your home Wi-Fi network.

### Connect to your Wi-Fi network

Select your network from the list and enter the password for the network to connect your timer to your Wi-Fi signal. When connected, the will illuminate solid white indicating a successful pairing.

**Note:** If you do not see your network name in the list, tap the refresh button in the app. If your network name still does not appear, tap "Advanced" in the app and enter your network name and password. This device will only connect through 2.4 GHz Wi-Fi networks. 5.0 GHz networks are not supported and will not appear in your app.



**FOR OPTIMUM TIMER PERFORMANCE, CONNECT TO WIFI TO RECEIVE THE LATEST TIMER UPDATES.**

## Programming and Operation

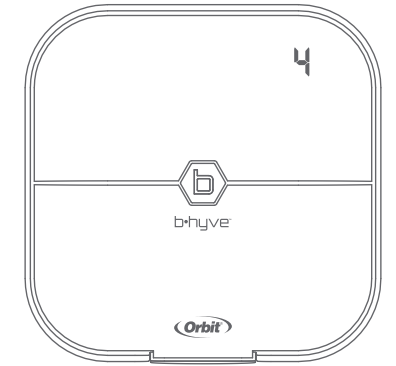
### Programming the timer

The app has help screens and video to assist you with Wi-Fi connections, programming, smart watering and other general questions you may have.

- **Note:** Your programmed schedules are stored both in the app and on the timer. Watering will continue, if Wi-Fi connection is lost.

### Manual Operation

All programming and full functionality of the timer are available in the B-hyve™ app. If you have the need, there are some basic operations you can perform directly at your timer.



Function	Button Press
MANUAL WATERING	Press and hold the  until an <b>R</b> appears on the timer, then release the . Quickly p. Quickly press the  again until the desired station appears. After a few seconds, the selected station will begin watering. Stations water for a default of 10 minutes each.
CANCEL OPERATION	Press the  once to cancel current activity.
RAIN DELAY	Set rain delay in the app. When the timer is in rain delay mode the  will blink yellow and a <b>d</b> will appear on the timer.
ON/OFF	Press and hold the  for 10 seconds.
HARD RESET	Quickly press the  5 times.