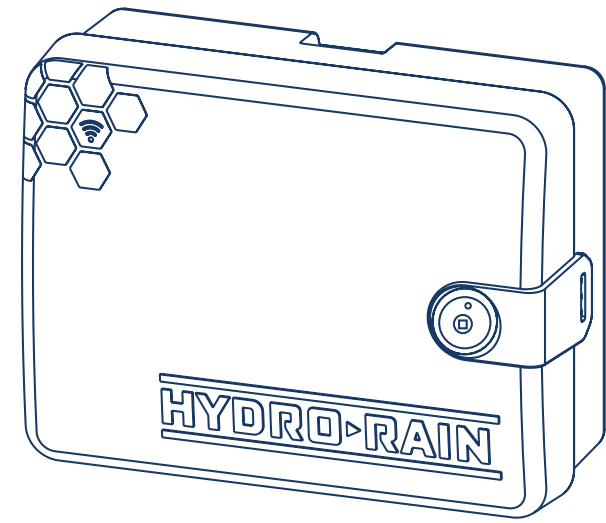


HYDRO-RAIN®

Built for Speed™

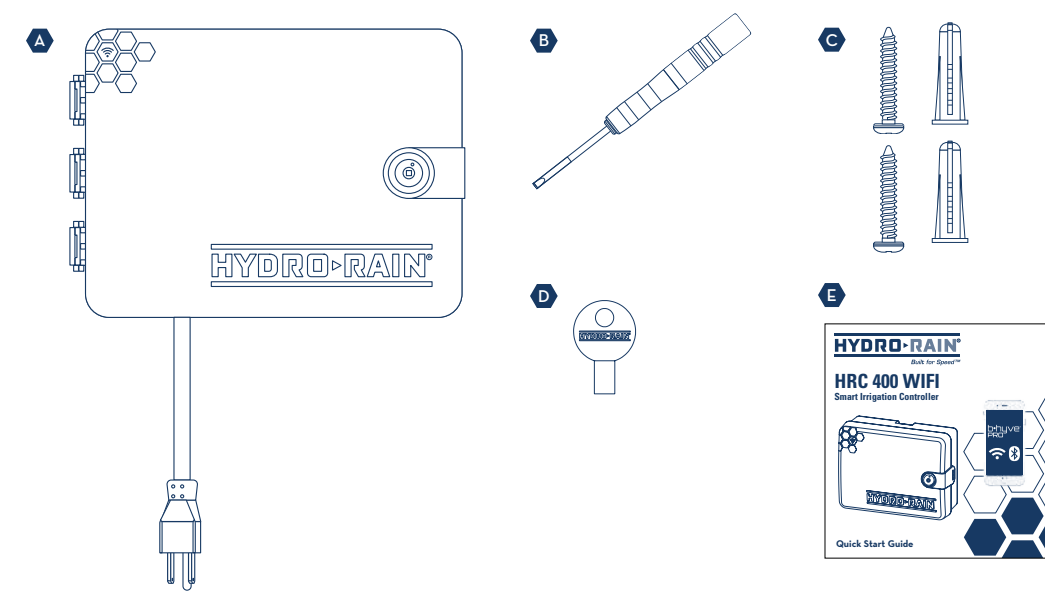
HRC 400 WIFI Smart Irrigation Controller



Quick Start Guide

Contents in the Box

- A** Wifi Sprinkler Controller
- B** Screwdriver
- C** Installation Hardware
- D** Keys
- E** Quick Start Guide



Controller Installation

• Select a location

Choose a location near power and away from direct sunlight, if possible. Make sure to leave room for the controller door to open completely.

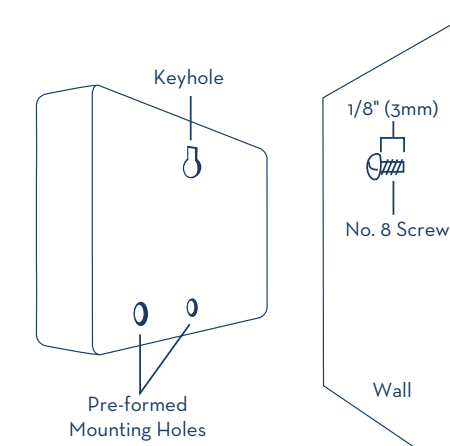
This location should also have a good Wifi signal. You can check this using a smart phone. (Find a location that has a minimum of two bars)



• **Note:** If replacing a controller, it is helpful to take a photo of the wires before you remove them from the old controller.

• Mount the controller

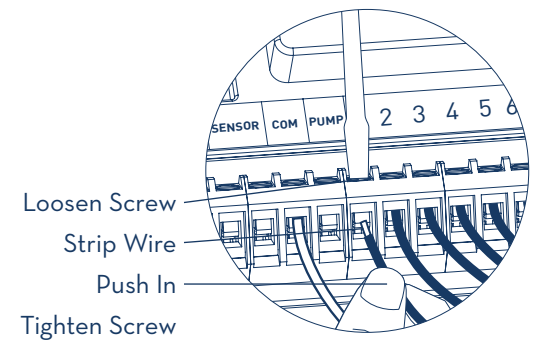
Install a screw (included) into the wall. Use the expanding anchors (included) for plaster, masonry or drywall installations. Hang the controller on the installed screw using the keyhole slot. Level the controller and use the second screw in one of the pre-formed mounting holes to secure the controller.



Connect Valve Wires

• **Prepare wire Strip**
1/2" (13 mm) of insulation from each wire.

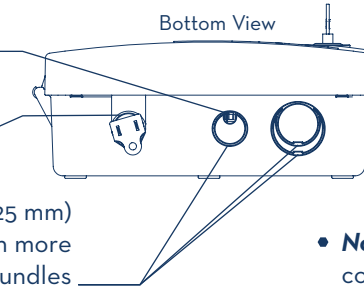
• **Connect wires**
Attach one wire from each valve to a "Common" (COM) wire and the other wires to a numbered terminal (only one wire per terminal).



Small Hole—for running 5 or 7 strand wire straight into the box

Knock-out for hard-wired installations

1/2", 3/4" and 1" (13 mm, 20 mm and 25 mm) knock-outs for larger systems with more wire bundles



• **Note:** We recommend you consult an electrician for hardwired installations.

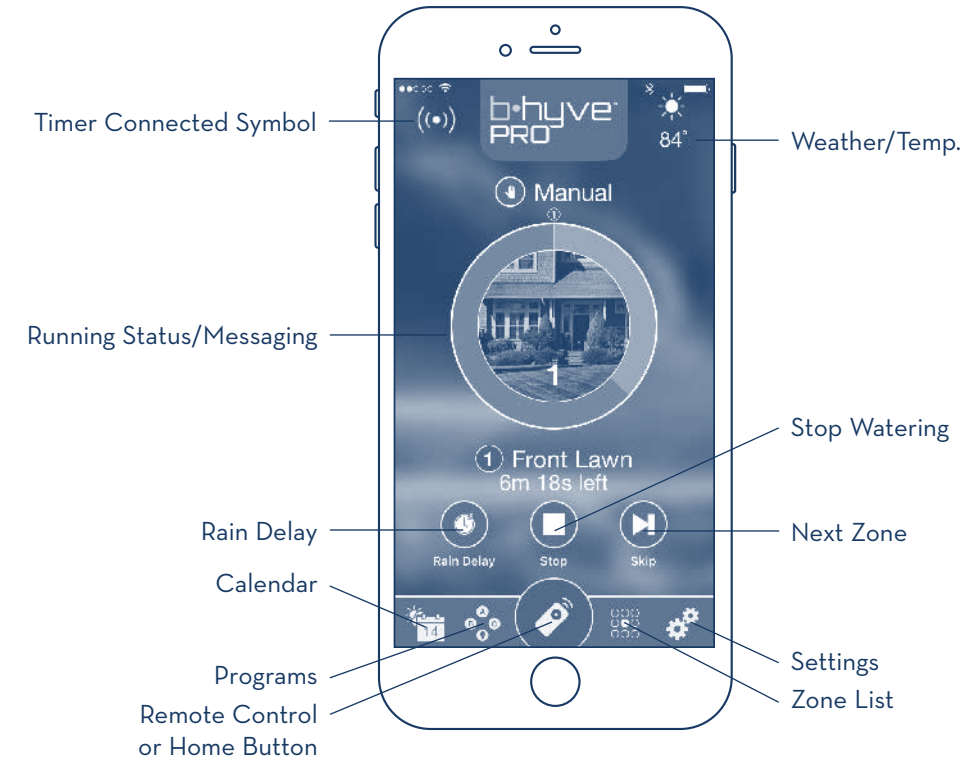
Orbit® 1.801.299.5555 orbitonline.com		<input type="checkbox"/> Die Line <input type="checkbox"/> PMS 2955 <input type="checkbox"/> PMS 0000		<input type="checkbox"/> Dims./Callout <input type="checkbox"/> PMS 0000 <input type="checkbox"/> PMS 0000		<input checked="" type="checkbox"/> Fold <input type="checkbox"/> PMS 0000 <input type="checkbox"/> PMS 0000		<input type="checkbox"/> Product Coverage <input type="checkbox"/> Glue PRINTERS ARE REQUIRED TO MATCH ALL SPECIFIED PMS COLORS.	
DATE: 10/08/2017		DESIGNER: KM		MARKETING: MS		ARTWORK Nº: 04080-50 rB		SOFTWARE: Adobe Indesign CC	
Folded L: 000.000" W: 6.0" H: 6.0"		Flat L: 000.000" W: 6.0" H: 6.0"		Additional Information • • •		Printers are responsible for meeting print production requirements. Any changes must be approved by Orbit®. Printed piece must meet designated specifications on this form. © 2014 Orbit Inc. This work is the property of Orbit®, and cannot be used, reproduced or distributed in any way without their express permission.			

The B-hyve™ Pro App

• Install the B-hyve™ Pro app on your smart device

You will need a smart device to connect the controller to Wifi. After the controller is paired, you can also use a computer to adjust your controller.

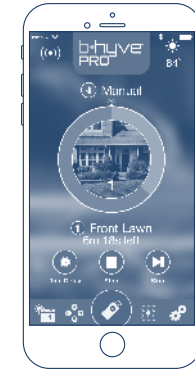
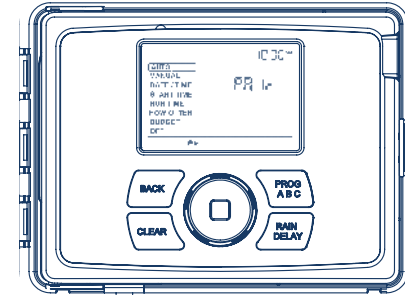
- **Note:** There is a wizard in the app to guide you through initial set-up of your sprinkler controller. In addition, there are help icons throughout the app with more information and useful tips.



Controller Installation—Pairing to Controller

• Plug in your HRC 400 controller

Once your HRC 400 controller is plugged into the power source, it will automatically look to pair with your smart device. On your controller screen the “pair” icon will begin to blink. This indicates that your controller is ready to pair with a smart device. Open the B-hyve™ Pro app on your smart device, and follow the step-by-step pairing process in the app.



FOR OPTIMUM CONTROLLER PERFORMANCE, CONNECT TO WIFI TO RECEIVE THE LATEST CONTROLLER UPDATES.

• Battery Specifications

Timer requires a CR2032 Lithium battery (included)
To remove, lift battery cover with a screwdriver and remove battery with fingers. Insert the new battery at an angle and press to click the battery into place. The plus (+) sign on the battery must face upwards.

- **WARNING:** Risk of Fire, Explosion, and Electric Shock. Replace battery with Hitachi Maxell Ltd, Type CR2032 only. Use of a different battery has the potential for a risk of fire, explosion, and electric shock.

- **WARNING:** Battery must be removed from the timer before it is scrapped.

- **WARNING:** The timer must be disconnected from the supply mains when removing the battery.

BATTERY WARNING: Chemical Burn Hazard. Keep batteries away from children.

This product contains a lithium coin cell battery. If a new or used button/coin cell battery is swallowed or enters the body, it can cause severe internal burns and can lead to death in as little as two hours. Always completely secure the battery compartment. If the battery compartment does not close securely, stop using the product, remove the battery, and keep it away from children. If you think the battery might have been swallowed or placed inside any part of the body, seek immediate medical attention. The battery should be disposed of properly and kept away from children. Even used batteries may cause injury.

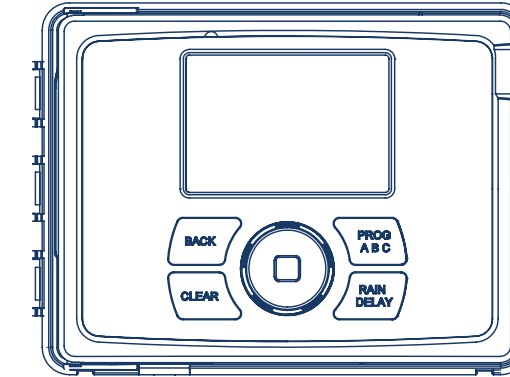
Simple Controls

• Programming the controller

You can set your controller up with the app. You can also make manual adjustments at the controller. Controller changes will be reflected in the app, and app changes will be reflected at the controller.

It allows the gardener who left their phone inside to run a manual cycle, or adjust programming as needed and keep dirty hands away from the phone.

- **Note:** The app has help screens and video to assist you with Wifi connections, programming, smart watering and other general questions you may have.



Buttons	Function
	Scroll up or down, left or right and push to make a selection
CLEAR	To clear a setting
PROG ABC	To move to different programs: A, B, and C
BACK	To go back a step
RAIN DELAY	To pause operation for 1 to 32 days due to rain or other factors

Specifications

This device complies with Part 15 of the FCC Rules and Industry Canada license exempt RSS standards. Operation is subject to the following two conditions: (1) This device may not cause harmful interference, and (2) this device must accept any interference received, including interference that may cause undesired operation.

FCC Warning: Any changes or modifications not expressly approved by the party responsible for compliance could void the user's authority to operate this equipment.

Note: This equipment has been tested and found to comply with the limits for a Class B digital device, pursuant to Part 15 of the FCC Rules. These limits are designed to provide reasonable protection against harmful interference in a residential installation. This equipment generates, uses, and can radiate radio frequency energy and, if not installed and used in accordance with the instructions, may cause harmful interference to radio communications. However, there is no guarantee that interference will not occur in a particular installation. If this equipment does cause harmful interference to radio or television reception, which can be determined by turning the equipment off and on, the user is encouraged to try to correct the interference by one of the following measures:

- Reorient or relocate the receiving antenna.
- Increase the separation between the equipment and the receiver.
- Connect the equipment into an outlet on a circuit different from that to which the receiver is connected.
- Consult the dealer or an experienced radio/TV technician for help.

This device meets the FCC and IC requirements for RF exposure in public or controlled environments. The end user is advised to maintain a distance of 20 cm from the controller and any personnel to ensure compliance with RF exposure regulations.

This Class B digital apparatus complies with Canadian ICES-003

Rated input:

Australia—240V AC 50/60Hz 0.15A | Europe—230V AC 50/60Hz 0.15A | USA—120V AC 60Hz 0.15A

Max load:

AUS & EU—24V AC 1 Amp 50/60 Cycle | USA—24V AC 750 mA 60Hz

Temperature Operating Range:

Operating: 32-158° F (0-70° C) | Storage & transport: 32-176° F (0-80° C)

Humidity Operating Range:

Operating: 0-80% | Storage & transport: 0-90%

Altitude:

6,500' (2,000 meters) IPX5 Rating | Installation Class II | Over Voltage Category II

Cet appareil est conforme à la section 15 de la Réglementation de la FCC et la norme RSS d'Industry Canada. Son fonctionnement est soumis aux deux conditions suivantes : (1) cet appareil ne doit pas causer d'interférences nuisibles, et (2) cet appareil doit tolérer toutes les interférences, dont les interférences pouvant causer un fonctionnement non désiré. Cet appareil numérique de classe B est conforme à la norme canadienne ICES-003.

Remarque: cet appareil été testé et déclaré conforme aux limites d'exposition pour les appareils numériques de classe B, selon la section 15 de la Réglementation de la FCC. Ces limites sont conçus pour fournir une protection raisonnable contre les interférences nuisibles dans une installation résidentielle. Cet appareil produit, utilise et peut émettre de l'énergie radio fréquence et, si elle n'est pas installée et utilisée conformément aux instructions, peut causer des interférences nuisibles aux communications radio. Cependant, il n'est pas garantie que des interférences ne se produisent pas dans une installation particulière. Si cet appareil cause des interférences gênantes à la réception d'un signal radio ou de télévision, ce qui peut être déterminé en allumant et en éteignant l'appareil, l'utilisateur peut corriger les interférences en suivant une des mesures suivantes:

- Réorientez ou repositionnez l'antenne de réception.
- Augmentez la distance entre l'appareil et le récepteur.
- Branchez l'appareil dans une prise sur un circuit différent du circuit sur lequel le récepteur est branché.
- Consulter le revendeur ou un technicien radio/TV expérimenté pour obtenir de l'aide.

Cet appareil est conforme aux exigences de la FCC et de l'IC concernant l'exposition aux ondes dans un environnement public ou contrôlé. Il est conseillé à l'utilisateur final de maintenir une distance de 20 cm du contrôleur pour assurer la conformité aux réglementations d'exposition RF. Information de conformité pour le Canada

Help

If the app and the website don't have what you're looking for, please call our technical support line before returning this sprinkler controller to the store.

(888) Hydro-Rain
www.hydrorain.com | bhyve.hydrorain.com