

ORECK® XL®

SIMPLY AMAZING®



USER'S GUIDE
RINSE-A-MATIC™
STEAMER™
CARPET & HARD FLOOR CLEANER

XLS700 series

•IMPORTANT•
SAVE THIS BOOKLET!

Includes:

- Warranty
- Safety Warnings
- Parts List
- Operating Instructions
- Accessories List
- Trouble Diagnosis

BEFORE OPERATING CLEANER, READ ALL INSTRUCTIONS IN THIS MANUAL CAREFULLY.

Table of Contents

Maintenance and Customer Service, Polarized Plug Notice, Accessories, Important Safety Instructions	page	1
Warranty, Troubleshooting Guide	page	2
Figures	page	3
Parts Checklist, Features, To Assemble Cleaner	page	4
Servicing of double-Insulated Appliances, A.L.C.I., To Set Up Cleaner, To Prepare Carpet, Operating Inst.	page	5
Operating Instructions	page	6
To Clean Carpet Cleaner, To Store Cleaner, Things To Do, To Replace Belt	page	7

Maintenance and Customer Service

Your ORECK STEEMER is a product of precise engineering. The motor bearings are permanently lubricated and should not be oiled. If you require additional information or have problems with your Oreck appliance, you may call ORECK CUSTOMER SERVICE at:

US: 1-800-989-3535 Canada: 1-888-676-7325

Please specify the model number and serial code number which can be found on the data plate on the back of the vacuum.

Save your sales or purchase slip. Should your Oreck appliance require warranty service in the U.S.A., present this slip to the Authorized Service Center as your proof of purchase date or, in Canada, call customer service.

Polarized Plug Notice

This product is equipped with a polarized alternating current line plug (a plug having one blade wider than the other). This plug will fit into the power outlet only one way. This is a safety feature. If you are unable to insert the plug fully into the outlet, try reversing the plug. If the plug should still fail to fit, contact an electrician to replace the obsolete outlet. Do not defeat the purpose of the polarized plug.

Accessories

Call your authorized ORECK Home Care Center, your authorized dealer, or call the Home Care Hotline toll free at: **1-800-989-3535**

ITEM	PART #
Oreck Steemer Full Release® Professional Spot & Stain PreCleaner	FRSS131
Oreck Steemer Full Release® Professional Carpet & Hard Floor Cleaner	40032-03
Oreck Steemer Full Release® Professional Upholstery Cleaner	40033-03
Steemer Value-6-Pack 5 Carpet & Hard Floor Cleaners 1 Spot & Stain PreCleaner	FRC132
Oreck Steemer Belts (2 Pack)	OR114
Squeegee Replacement	53311-01-0384

IMPORTANT SAFETY INSTRUCTIONS

When using an electrical appliance, basic precautions should always be followed, including the following:

**READ ALL INSTRUCTIONS BEFORE
USING THIS STEEMER CLEANER**



WARNING

**To reduce the risk of fire,
electric shock, or injury:**

- Do not leave appliance unattended when plugged in. Unplug from outlet when not in use and before servicing.
- Use indoors only.
- Do not immerse motorized nozzle, use only on carpet moistened by cleaning process.
- Do not allow to be used as a toy. Do not allow infants or children around the machine during operation.
- Use only as described in this manual. Use only manufacturer's recommended attachments.
- Do not use with damaged cord or plug. If appliance is not working as it should, has been dropped, damaged, left outdoors, or dropped into water, return it to a service center or call customer service at:
US: 1-800-989-3535 Canada: 1-888-676-7325
- Do not pull or carry by cord, use cord as a handle, close door on cord, or pull cord around sharp edges or corners. Keep cord away from heated surfaces.
- Do not run appliance over cord.
- Do not unplug by pulling on cord. To unplug, grasp the plug, not the cord.
- Do not handle plug or appliance with wet hands.
- Do not put any object into openings. Do not use with any opening blocked; keep free of dust, lint, hair and anything that may reduce air flow.
- Keep hair, loose clothing, fingers and all parts of body away from openings and moving parts.
- Do not use to pick up anything that is burning or smoking, such as cigarettes, matches, or hot ashes.
- Turn off all controls before unplugging.
- Use extra care when cleaning on stairs.
- Do not use to pick up flammable or combustible liquids, such as gasoline or lighter fluid, or use in areas where they may be present.
- Do not use appliance in an enclosed space where flammable, explosive or toxic vapors are given off by oil base paint, paint thinner, some mothproofing substances, or in an area where flammable dust is present.
- Immediately switch off and unplug appliance if water or cleaning solution is observed leaking from machine during operation.
- To prevent over filling the recovery water tank, empty the recovery water tank every time the clean water tank is filled.
- Always turn off the appliance before connecting or disconnecting motorized nozzle.

SAVE THESE INSTRUCTIONS
Household Use Only

Warranty

ORECK MANUFACTURING COMPANY: (Oreck Manufacturing Company gives you the following limited warranty for this product only if it was originally purchased for residential use, not resale from Oreck or an Oreck Authorized Retail Dealer.)

Oreck will repair or replace, free of charge, to the original purchaser, any part which is found to be defective in material or workmanship within one (1) year of the date of purchase. This limited warranty applies to normal domestic use. Any commercial use of this product will void this limited warranty. Any use of non-Oreck cleaning solutions with this unit will void this limited warranty.

This limited warranty does not cover the replacement of expendable or consumable parts such as belts, brushes, and other parts subject to normal wear unless they are defective in material or workmanship.

This limited warranty does not apply to any part subjected to accident, abuse, commercial use, alteration, misuse, damage caused by act of God, the use of voltages other than indicated on the serial number displayed on this product or service of this product by other than Oreck or a participating Factory Authorized Service Center.

Oreck does not authorize any person or representative to assume or grant any other warranty obligation with the sale of this product.

Oreck's limited warranty is valid only if you retain proof of purchase from Oreck or an Oreck Authorized Retail Dealer for this product. If you purchase this product from any other source, your purchase is "AS IS," which means Oreck grants you no warranty, and that you, not Oreck, assume the entire risk of the quality and performance of this product, including the entire cost of any necessary servicing or repairs of any defects.

Oreck's liability for damages to you for any costs whatsoever arising out of this statement of limited warranty shall be limited to the amount paid for this product at the time of original purchase, and Oreck shall not be liable for any direct, indirect, consequential or incidental damages arising out of the use or inability to use this product.

Some states do not allow the exclusion or limitation of incidental or consequential damages, so the above limitation or exclusion may not apply to you.

ALL EXPRESS AND IMPLIED WARRANTIES FOR THIS PRODUCT, INCLUDING IMPLIED WARRANTIES OF MERCHANTABILITY AND FITNESS FOR A PARTICULAR PURPOSE, ARE LIMITED IN DURATION TO THE WARRANTY PERIOD, AND NO WARRANTIES, WHETHER EXPRESS OR IMPLIED, WILL APPLY AFTER THIS PERIOD.

Some states do not allow limitations on the duration of implied warranties, so the above limitation may not apply to you.

This warranty gives you specific legal rights, and you may also have other rights which vary from state to state.

CALL CUSTOMER SERVICE HOT LINE
US: 1-800-989-3535 Canada: 1-888-676-7325

Whenever calling, please be sure to have your model and serial number from data plate.

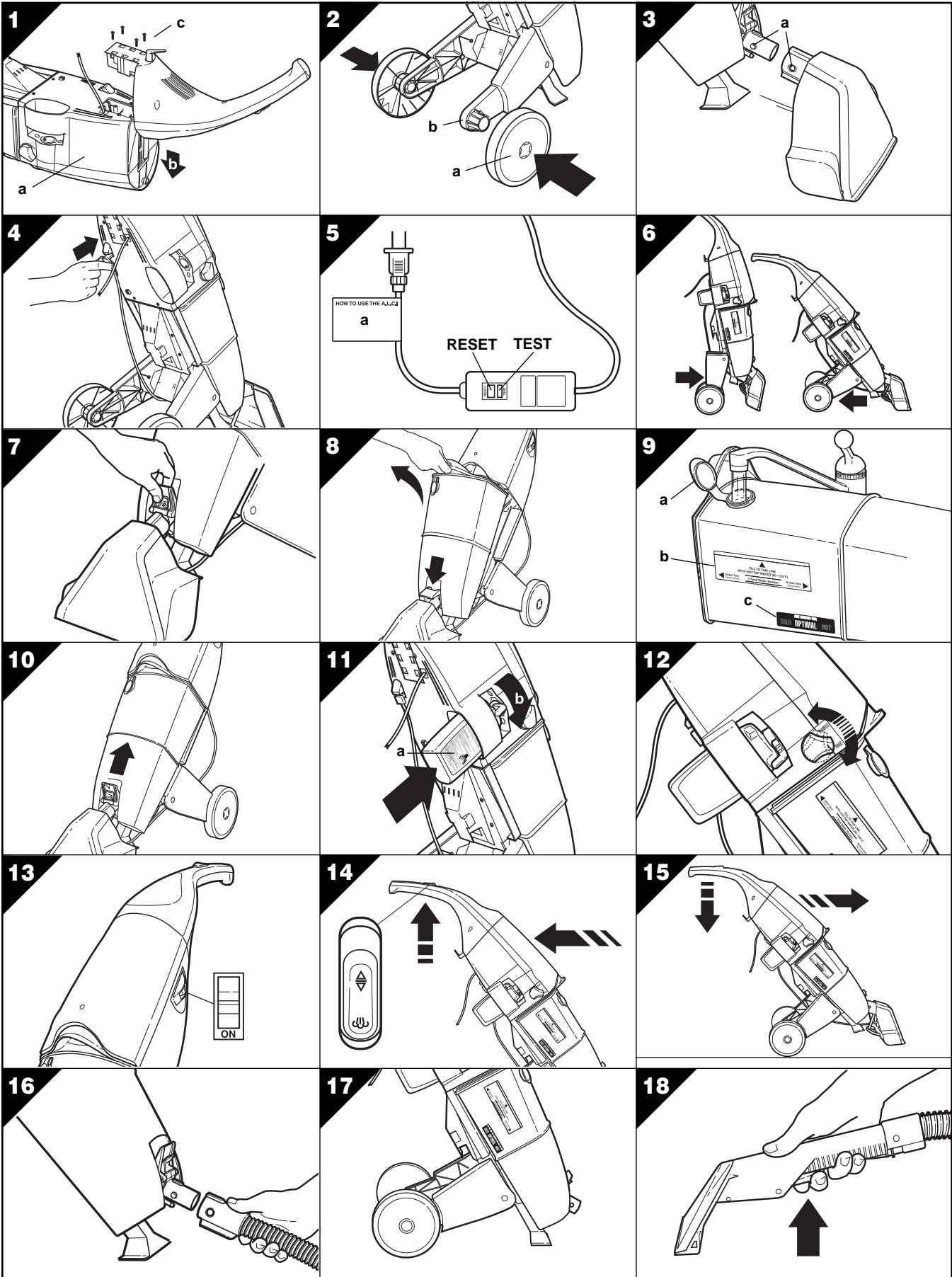
Troubleshooting Guide

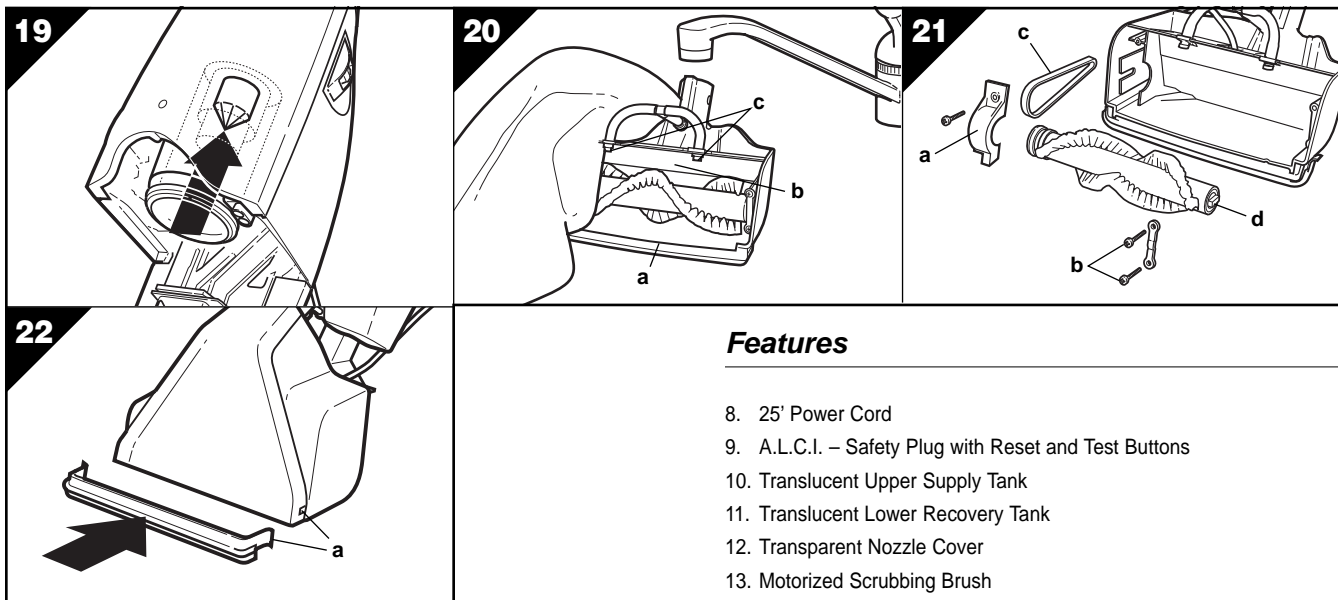


WARNING: Unplug cord from electrical outlet before servicing.

PROBLEM	SOLUTION
Water and cleaning solution is not dispensing onto carpet or upholstery.	<ul style="list-style-type: none"> • Check that the upper supply tank is partially filled with lukewarm water. Caution: Do not overfill. • Check that a cleaner cartridge is installed and that the white lever is locked in the downward position. Due to pressurization, the cleaner will not properly operate without a cleaner cartridge in place. If the cleaner cartridge is empty, replace it with a full cartridge. • Check that the spray tips are not clogged. Use a towel or damp cloth to clean. • For above-the-floor cleaning, check that the hand-held nozzle and hose assembly is properly connected to the cleaner neck. Also insure that the button lock has been engaged.
Not removing certain stains. Heavy traffic area spots.	<ul style="list-style-type: none"> • For best results, use a stain pretreatment, such as Steamer Full Release® Professional Spot & Stain PreCleaner. These solutions loosen and break down most common household grease, oil, and food stains. • Make several slow passes over the stain from different angles.
Carpet is excessively wet after cleaning. Note: Under normal conditions, a carpet may take up to four hours or longer to completely dry. Drying time depends on a combination of various factors including: carpet type, carpet pile thickness, temperature, humidity, air circulation and the number of wet passes.	<ul style="list-style-type: none"> • Make at least one additional pass over the wet carpet without pressing the cleaner button. • Check that the handle trigger lock is not engaged. • With each pass, slowly pull the unit toward you to extract any remaining liquid in the carpet. To speed drying, gently push the nozzle deep into the carpet pile. • Check for airpath obstructions in the stair/upholstery hose, cleaner neck and in the nozzle. Check to insure that the inlet screen is free of debris.
Excessive foaming at spray tips.	<ul style="list-style-type: none"> • Check that the upper supply tank has water.
Dark streaks on carpet after cleaning.	<ul style="list-style-type: none"> • Operate the machine more slowly; you will achieve better results with one slow pass than several fast strokes. • Overlap each pass to provide maximum cleaning without streaking. • In high traffic or heavily soiled carpets, it is occasionally beneficial to allow the carpet to dry and repeat the process as needed to achieve optimal cleaning.
Steamer brush roll will not turn.	<ul style="list-style-type: none"> • Check that the nozzle power cord is completely connected to the main unit. • If an obstruction stalls the brush roll, the belt is designed to burn through so as to protect the motor. Please insure through inspection that the brush roll is free of obstructions and is free to turn. Secondly, make sure that the belt is in good working order. Replace the belt if needed. • If the belt and the brush roll become excessively wet, momentary slippage can occur. By running the unit on a dry section of carpet for a minute or less, the belt will function properly.
Cleaner will not run or suddenly stops.	<ul style="list-style-type: none"> • Reinsert the plug, if it has slipped out of the outlet. • The A.L.C.I. may have tripped off due to fluctuations in household current. Press the reset button and restart the unit.

ALL OTHER SERVICING SHOULD BE DONE BY AN ORECK AUTHORIZED SERVICE CENTER.





Parts Checklist

Read all instructions thoroughly before assembly/use. Please unpack carton, removing all parts and packages. Check that all parts required for assembly are present by referencing the list below.

PARTS	QUANTITY
1. Oreck Steamer Unit	1
2. Handle	1
3. Oreck Steamer Power Nozzle	1
4. Large, easy-to-steer Wheels	2
5. Easy Lock-in Cleaner Cartridge/Bottle	1
6. Screws (5/8")	4
7. Hand-held Nozzle and Hose Assembly	1

Features

- 8. 25' Power Cord
- 9. A.L.C.I. – Safety Plug with Reset and Test Buttons
- 10. Translucent Upper Supply Tank
- 11. Translucent Lower Recovery Tank
- 12. Transparent Nozzle Cover
- 13. Motorized Scrubbing Brush
- 14. Convenient quick-release Cord Wrap
- 15. Wiper for hard floor cleaning
- 16. Temperature Indicating Label
- 17. Floor Stand

RED OPERATOR CONTROLS

- 18. Rinse/Shampoo Valve
- 19. Shampoo/Cleaner Spray Button
- 20. A.L.C.I. Plug Reset Button
- 21. Tank Latch
- 22. On/Off Power Switch
- 23. Nozzle Change Button
- 24. Hand-held Nozzle Trigger

To Assemble Cleaner

THE ONLY TOOL YOU WILL NEED IS A PHILLIPS-TYPE SCREWDRIVER!

fig. 1 Attach Handle to Cleaner:

- a. Lay the cleaner on a flat surface with the tank side down or to its side.
- b. Slide handle into cleaner body until interlock is secured.
- c. Insert four 5/8" screws (included) into the four cavities in the handle base and tighten.

fig. 2 Attach Wheels:

- a. Locate two wheels and two support legs.
- b. Insert the wheels (a) into the support legs (b) by pushing the wheels in until they snap into place.

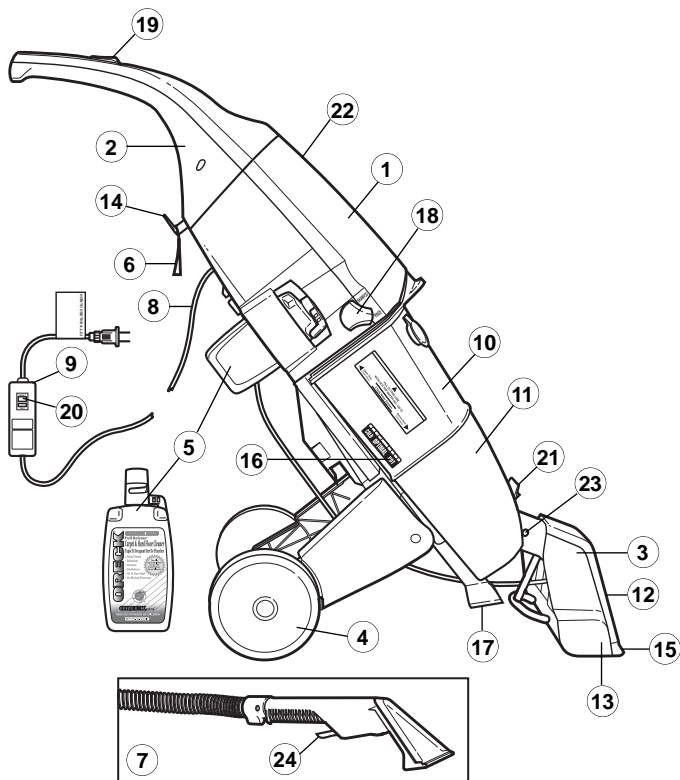
fig. 3 Attach Nozzle:

Turn the unit so that the tank is face up.


- a. Align the nozzle so the red nozzle change button is in line with the corresponding hole in the nozzle. Depress the small red nozzle change button and slide the nozzle over the unit shaft until the button locks into place.

fig. 4 Plug the small power cord connected to the nozzle into the receptacle in the back of the unit.

NOTE: Before using, please read the important safety and operating instructions.



Servicing of Double-Insulated Appliances

A double-insulated appliance is marked with one or more of the following: The words "Double Insulation" or "Double Insulated" or the double-insulation symbol (). In a double-insulated appliance, two systems of insulation are provided instead of grounding. No grounding means is provided on a double-insulated appliance, nor should a means for grounding be added to the appliance. Servicing a double-insulated appliance requires extreme care and knowledge of the system and should be done only by qualified service personnel. Replacement parts for a double-insulated appliance must be identical to the parts they replace.

Polarization Instructions:

To reduce the risk of electric shock, the Oreck Steemer model is equipped with a polarized alternating current line plug (a plug having one blade wider than the other). This plug will fit into a polarized outlet only one way. This is a safety feature. If you are unable to fit the plug fully into an outlet, try reversing the plug. If the plug should still fail to fit, contact a qualified electrician to replace the obsolete outlet. Do not defeat the purpose of the polarized plug in any way.

A.L.C.I

The Oreck Steemer is made to double-insulated specifications and is equipped with an A.L.C.I. (Appliance Leakage Circuit Interrupter). The A.L.C.I. shuts off the unit in potentially hazardous situations.

fig. 5 The A.L.C.I. has a Test and Reset button which should be operated each time the unit is plugged in.

- Do not remove the tag which provides test instructions from around the cord at the A.L.C.I. (A.L.C.I. may vary from illustration).

DANGER: Improper installation of A.L.C.I. can result in electric shock.

Do not modify or by-pass the A.L.C.I. Do not replace any electrical component in this product with anything other than an authorized ORECK replacement part. The risk of electric shock can result if used in the vicinity of improperly grounded stationary appliances (stove, refrigerator, washer, etc.).

To Set-Up Cleaner

The Oreck Steemer carpet and hard flooring cleaner is designed for fast and easy set-up.

fig. 6 Swing the wheels away from the nozzle into the operating position.

Remove the supply/recovery tank:

fig. 7 Pinch the gray and red tank release latch together and gently lower the latch to the nozzle. **Do Not Force Latch!**

fig. 8 Push the supply/recovery tank downward toward the nozzle and lift out.

fig. 9 **Fill the supply tank:**

- Open the gray tank cap.
- Fill the tank with hot tap water to the fill line, as noted on the side of the tank.
- Use the temperature label on side of tank to check water temperature. **"OPTIMAL"** should be showing on label when the correct water temperature is achieved.

CAUTION: Do not overfill tank or use water that is too cold or too hot. Do not put any type of shampoo/cleaner into the supply tank. Use only Steemer Full Release® Professional Carpet Cleaner cartridges, which are specifically formulated to be residue-free. Other carpet shampoo will leave residues in the unit that will over a short period of time clog the dispensing system and void your warranty.

fig. 10 Close tank cap and place the tank back on the cleaner. Lift the gray latch to slide the tank upward into position until you hear a "click", signaling that the tank is securely locked into place.

Insert Cleaning Cartridge/Bottle:

NOTE: Cleaner will not operate without a cleaner cartridge locked into the docking bay.

Remove the cleaner cartridge/bottle cap.

fig. 11 Insert the cleaner cartridge into the docking bay on the side of the cleaner.

- The directions on the cleaner cartridge must be facing out.
- Lock and seal the cartridge in the cleaner by rotating the white lever on cartridge from top to bottom.

Test and reset the A.L.C.I.:

fig. 5 Plug in the power cord. Press the test button to shut off power. To reset the A.L.C.I., simply push in the red reset button on the plug.

To Prepare Carpet

Always vacuum thoroughly before using the ORECK STEEMER carpet and hard flooring cleaner. It provides excellent carpet and hard floor cleaning on surfaces that are free of surface debris.

To achieve best results, high traffic areas and carpet stains should be pretreated prior to cleaning using Steemer Full Release® Professional Spot & Stain PreCleaner.

CAUTION: Before cleaning a carpet for the first time, test a small area for color fastness.

Pour a small amount of Steemer Full Release® Professional Carpet Cleaner on a clean white cloth and blot carpet. Examine this cloth for color removal; if color appears on the cloth, the carpeting is not colorfast and should not be cleaned with any wet extraction process.

NOTE: This product is not recommended for use on carpets made from silk, velvet, wool and some cotton blends. Check the manufacturer's cleaning recommendations.

Operating Instructions

To Clean Carpets and Hard Flooring:

NOTE: DO NOT use on Hard Wood Flooring.

fig. 12 Turn the Shampoo/Rinse switch to the "SHAMPOO" position.

fig. 13 Place power switch in the "ON" position.

fig. 14 Press the red button in the handle and while lifting the handle slightly, slowly pull the cleaner backwards. Pressing the button releases the cleaner and water mixture. As you pull the nozzle over the sprayed floor, the nozzle extracts the solution from the floor and stores the dirty water in the recovery tank.

fig. 15 To move forward, slightly tilt the nozzle off the floor and roll the cleaner forward. Repeat process working in small overlapping rows for even cleaning until the entire room has been completed.

WARNING: Do not push forward! Pull the cleaner towards you to clean. This cleaner has been specifically designed to place the nozzle deep into the carpet.

Push down gently on the handle to lift the nozzle out of the carpet, to move forward and reposition the cleaner.

IMPORTANT: Adjust the speed of the cleaning stroke to your carpet and flooring conditions. Heavily soiled or stained carpets or floors will require slower strokes. Avoid oversaturating.

NOTE: The nozzle squeegee may be flipped for deeper cleaning on deep pile carpets. See "To Replace Squeegee"

To shorten the drying time, go back over the floor pulling slowly backwards without depressing the red button. Repeat this procedure until you do not see water being pulled through the nozzle.

To Rinse Carpet and Hard Flooring:

fig. 12 Turn the Shampoo/Rinse switch to the "RINSE" position.

fig. 13 Place power switch in the "ON" position.

fig. 14 To rinse carpet or hard flooring, press the red button in the handle. Slowly pull the cleaner backwards over already cleaned area. Pressing the button releases clean water. As you pull the nozzle over the sprayed floor, the nozzle extracts any remaining solution from the floor and stores the dirty water in the recovery tank.

fig. 15 To move forward, slightly tilt the nozzle off the floor and roll the cleaner forward. Repeat process working in small overlapping rows for even cleaning until the entire room has been completed.

CAUTION: Do not allow the lower recovery tank to overflow. Damage to the unit can result. Empty the recovery tank when full and whenever clean water is added to the upper supply tank.

fig. 7 To empty the recovery tank, simply release the tank latch by squeezing the red and gray latch together.

fig. 8 Lift the tank out and carry it to a sink or drain. Turn the tank upside down and pour the dirty water out.

fig. 9 Refill the supply tank with clean hot water. Replace cleaner cartridge as needed.

NOTE: Cleaner will not operate without a cleaner cartridge locked into the docking bay.

For heavily soiled carpets it may be necessary to clean from several directions to insure that the carpet is thoroughly cleaned.

Sample Cleaning Procedures:

You can use the Oreck Rinse-A-Matic™ Carpet and Hard Floor cleaner in many ways to achieve optimal results. The following chart is a guide to usage, however, feel free to use it in a manner which you think is most effective depending on the surface.

The procedure section indicates the types of passes to use on the flooring. For example "Shampoo - Dry - Rinse - Dry" means, one shampoo pass, then one dry pass, one rinse pass (water only), then one dry pass.

Carpet Cleaning	
Situation	Procedure
Monthly Maintenance Cleaning - Quick	Shampoo - Dry
Monthly Maintenance Cleaning - Standard	Pre-treat with "Spot & Stain Remover" as necessary. Shampoo - Dry - Rinse - Dry
Monthly Maintenance Cleaning - Thorough	Pre-treat with "Spot & Stain Remover" Shampoo - Dry - Rinse - Dry Rinse - Dry
• Thicker Carpet • Heavy Duty Cleaning • Traffic Lanes • Spots	Pre-treat with "Spot & Stain Remover" Shampoo - Dry - Rinse - Dry Rinse - Dry
Hard Floor Cleaning	
Situation	Procedure
Quick Clean	Shampoo - Dry
Standard Clean	Pre-treat with "Spot & Stain Remover" as necessary. Shampoo - Dry - Rinse - Dry
Heavy Duty Clean	Pre-treat with "Spot & Stain Remover" Shampoo - Dry - Rinse - Dry Rinse - Dry

NOTE: Additional drying passes can be used to reduce carpet and hard floor moisture and shorten drying time.

For Above the Floor Cleaning - Cars, Stairs, Etc.:

CAUTION: Set the red button in the handle to the floor (back) position when using the hand held nozzle for extraction only.

Unplug the cleaner from the electrical outlet.

fig. 4 You will first need to unplug the separate power cord that connects the Steemer nozzle to the cleaner.

fig. 3 Remove the nozzle by depressing the red button located on the side of the neck. Pull the nozzle straight back and off the neck without twisting.

fig. 17 Lower cleaner onto floor stand.

fig. 7/8 Remove the supply/recovery tank from the cleaner.

fig. 9 Open tank cap. Fill with hot tap water, close tank cap.

fig. 10 Replace tank onto cleaner.

fig. 16 Attach the hand-held nozzle and hose assembly to the cleaner neck. Align the guide tab on top of unit's neck with slot in hose collar. Depress the red button and push the hose collar onto the unit until the button locks securely in the collar hole.

fig. 13 Place power switch in the "ON" position.

fig. 14 Press the red button in the handle and push forward to lock.

fig. 18 Press the red cleaner dispensing trigger on the hand-held nozzle to release cleaner.

To Prepare Upholstery:

IMPORTANT: Prior to cleaning any upholstered furniture read the following instructions very carefully.

Most modern upholstery fabrics may be safely cleaned by wet cleaning methods; yet there are exceptions to this, as some delicate or unusual fabrics require "dry cleaning." If you are in doubt about the type of fabric, we suggest that you check with the manufacturer or dealer where the furniture was purchased. Most fabrics are wear coded by the manufacturer which details cleaning methods for a particular fabric. If necessary, bring in a cushion or arm cover to your dealer.

- Cleaning upholstery which is covered with fabrics that are not compatible with wet cleaning may result in damage to the fabric. Know what the fabric is and how it may be cleaned before using the Oreck Steemer cleaner.
- Check the stuffing material if possible. Look inside cushions and underneath the furniture. If the filling is colored, it may bleed through and discolor the furniture. Most modern stuffing material is light colored and colorfast.
- To remove loose dirt, vacuum upholstery thoroughly with a vacuum cleaner.
- If the upholstery is being cleaned for the first time, **CHECK FOR COLORFASTNESS.** Test a small, area several hours before starting to clean upholstery. Pour a small amount of Steemer Full Release® Professional Upholstery Shampoo on a clean white cloth and blot upholstery. Examine the cloth for color removal. If color appears on cloth, the upholstery is not colorfast and should not be cleaned with wet extraction methods. Let test area dry completely. Inspect for changes in color, bleeding, stretching or shrinkage. Test another area if in doubt. **This product is not recommended for use on silk, velvet, wool and some cotton blends.**

To Clean Upholstery & Small Spill Pick-Ups:

Plug cord into an electrical outlet.

fig. 5 Test and reset A.L.C.I. on the plug.

fig. 11 Insert a specially formulated Steemer Full Release® Professional Upholstery Cleaner Cartridge.

fig. 13 Turn cleaner on by placing the On/Off power switch in the "ON" position.

fig. 14 Lock the cleaner button by pressing and sliding the button forward on the main handle.

fig. 18 Depress the red dispensing trigger on the hand-held nozzle and slowly drag the nozzle towards you. Make a second pass at right angles to the first. This will minimize any streaking or uneven appearance.

Several key precautions must be followed to insure operator safety:

1. Always test and reset the Steemer A.L.C.I. plug.
2. Do not immerse the power nozzle of the Oreck Steemer.
3. Do not allow the lower recovery tank to overflow.
4. Do not pick up corrosive, combustible, or flammable liquids such as acids, gasoline, alcohol, or use this product in areas where vapors from these types of materials are present.
5. Do not use to clean out bathtubs, flooded basements or any place where the liquid depth exceeds 1/8".

To Clean Carpet Cleaner

WARNING: To reduce the risk of electric shock or injury from moving parts, unplug before servicing.

Before turning the cleaner off, tilt the cleaner back, raising the nozzle off the carpet for 15-20 seconds. This prevents extracted water in the nozzle from dripping back onto the carpet after you turn the cleaner off.

fig. 13 Place the power switch in the "OFF" position. Unplug the power cord from the outlet.

fig. 11 Remove the cleaner cartridge by rotating the locking white lever upwards. **Do not store with a cleaner cartridge attached.**

fig. 19 Remove and empty the tank. Rinse out the lower recovery tank with warm water. Wipe off the inlet screen to remove accumulated dirt, lint and debris.

fig. 10 Replace tank.

fig. 20 If you have been operating the cleaner at length, it may be necessary to clean the nozzle from time to time, particularly if the carpet is brand new or very dirty, or if long-haired pets frequently use the carpeted area. Unplug cleaner and examine several areas on the power nozzle to see if debris has built up:

- a. Extractor slots
- b. Brush roll chamber
- c. Spray Tips

fig. 20 To clean the Steamer extractor slots, place a cloth or towel over the motor cover to shield and protect the motor from water damage. Run hot tap water through the nozzle until clean.

To clean the brush chamber and spray tips, take a towel or damp cloth and wipe clean.

To Store Cleaner

fig. 6 Pull the wheel assembly forward toward nozzle for compact storage.

NOTE: Do not store the cleaner in freezing conditions. Do not store the cleaner with water in the tank. Do not store the cleaner with cleaner cartridge attached. Turn the squeegee upside down for storage. Squeegee will deform if left in position while in storage.

Things To Do

- Use only manufacturer recommended attachments and accessories.
- Keep free of dust, lint, and hair.
- Turn off all controls before unplugging.
- Test the A.L.C.I. plug with every use.
- Empty the recovery tank when full and whenever clean water is added to the supply tank.
- Keep young children and pets away from cleaned carpets until dry.
- Check carpets and upholstery for color fastness.
- Clean nozzle periodically.

To Replace Belt

WARNING: To reduce the risk of electric shock or injury from moving parts, unplug before servicing.

Replacement belts (Part No. OR114) for Oreck Steamers are available from Oreck. Call Toll-Free 1-800-989-3535.

fig. 4 Unplug the power cord leading from the power head to the rear of the main cleaner.

fig. 3 Remove the power nozzle from the main cleaner.

fig. 21 **Disassemble Power Nozzle:**

- a. Remove screw from belt cover.
- b. Remove two (2) screws holding the brush roll clamp in place and remove clamp.

- d. Remove and replace the old belt if broken or if excessive wear is noted.

To Install a New Belt:

- d. Remove brush roll and insert the new belt into the rectangular cavity. Using a long screwdriver, loop belt around motor shaft. Pull and stretch belt over crowned end of the brush roll. Rotate brush to properly align belt.

fig. 21 Replace belt cover, brush roll clamp and screws.

fig. 3 Reattach power nozzle to unit.

fig. 4 Reconnect power cords and test.

To Replace Squeegee

fig. 22 Remove squeegee by gently pulling the handles located on each end of the squeegee until it releases.

- a. Replace the squeegee by first inserting one tab on the squeegee end with the slot on nozzle. Then insert the tab located on other end of squeegee into the nozzle slot.

NOTE: Turn the squeegee upside down for storage. The squeegee is designed to assist in hard floor cleaning, however, it can be left on for carpet cleaning.