

# Oster®

For product questions contact:

Jarden Consumer Service

USA: 1.800.334.0759

Canada: 1.800.667.8623

[www.oster.com](http://www.oster.com)

©2010 Sunbeam Products, Inc. doing business as Jarden Consumer Solutions.  
All rights reserved. Distributed by Sunbeam Products, Inc. doing business as  
Jarden Consumer Solutions, Boca Raton, Florida 33431.

Para preguntas sobre los productos llame:

Jarden Consumer Service

EE.UU.: 1.800.334.0759

Canadá: 1.800.667.8623

[www.oster.com](http://www.oster.com)

©2010 Sunbeam Products, Inc. operando bajo el nombre de  
Jarden Consumer Solutions. Todos los derechos reservados.  
Distribuido por Sunbeam Products, Inc. operando bajo el nombre de  
Jarden Consumer Solutions, Boca Raton, Florida 33431.

SPR-111010-832

# Oster®

*User Manual* **Electric Skillet**

*Manual de Instrucciones* **Sartén Eléctrico**



# IMPORTANT SAFEGUARDS

When using your electric skillet, basic safety precautions should always be followed, including the following:

## READ AND SAVE THESE INSTRUCTIONS

- Be sure that lid handles are assembled and fastened properly per this manual.
- Do not touch hot surfaces, use handles.
- To protect against electric shock, do not immerse the temperature controller, cord or plug in water or other liquids.
- Close supervision is necessary when any appliance is used by or near children.
- Unplug the appliance from the outlet when not in use and before cleaning. Allow appliance to cool before putting on or taking off parts and before cleaning appliance.
- Do not operate any appliance with a damaged cord or plug, or after the appliance malfunctions, or has been damaged in any manner. Return to an Authorized Service Station for examination, repair or electrical or mechanical adjustment. You can locate the nearest service center by calling 1.800.334.0759.
- The use of accessory attachments not recommended by the appliance manufacturer may cause injuries.
- Do not use outdoors.
- Do not let cord hang over edge of table or counter or touch hot surfaces.
- Do not place on or near a hot gas or electric burner or in a heated oven.
- Use extreme caution when moving the appliance if it contains hot oil or any other hot liquid.
- Always attach the temperature controller to the appliance first, then plug into the wall outlet. To disconnect, switch off, remove plug from the wall outlet, then remove the temperature controller from the appliance.

- Only use the appliance with the OSTER® Electric Skillet Temperature Controller.
- Do not use appliance for anything other than its intended use.
- It is recommended that you do not cook with the OSTER® Electric Skillet or the OSTER® Electric Skillet Temperature Controller standing on temperature sensitive surfaces.
- Please use recommended probe P/N: 040258 or 040288 in the U.S. and P/N: 040289 or 040290 in Canada.
- To prevent the risk of burns, never fill oil in the Skillet Pan more than 1/2 inch (12.7 mm) high.

## SAVE THESE INSTRUCTIONS

This appliance is for **HOUSEHOLD USE ONLY**.

No user-serviceable parts inside. Do not attempt to service this product. A short power-supply cord is provided to reduce the hazards resulting from entanglement or tripping over a longer cord. **AN EXTENSION CORD MAY BE USED WITH CARE; HOWEVER, THE MARKED ELECTRICAL RATING SHOULD BE AT LEAST AS GREAT AS THE ELECTRICAL RATING OF THE SKILLET.**

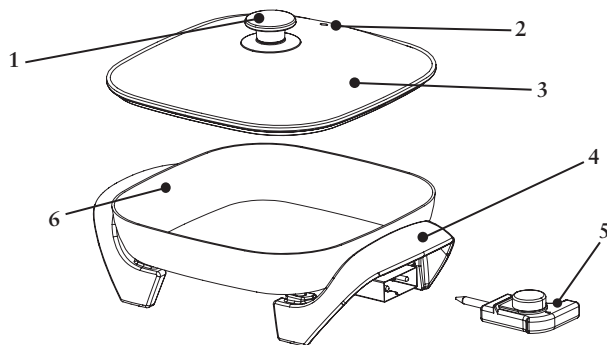
The extension cord should not be allowed to drape over the counter or tabletop where it can be pulled on by children or unintentionally tripped over.

### POLARIZED PLUG

This appliance has a polarized plug, (one blade is wider than the other). As a safety feature to reduce the risk of electrical shock, this plug is intended to fit in a polarized outlet only one way. If the plug does not fit fully in the outlet, reverse the plug. If it still does not fit, contact a qualified electrician. Do not attempt to defeat this safety feature or modify the plug in any way. If the plug fits loosely into the AC outlet or if the AC outlet feels warm do not use that outlet.

## PARTS IDENTIFICATION

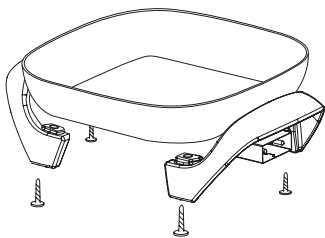
### KNOW YOUR ELECTRIC SKILLET



- |               |                           |
|---------------|---------------------------|
| 1. Lid Handle | 4. Handle                 |
| 2. Steam Vent | 5. Temperature Controller |
| 3. Glass Lid  | 6. Skillet Pan            |

### ASSEMBLING THE HANDLES

1. Do not use skillet without handles attached.
2. Place left handle onto mounting studs under skillet pot.
3. Use screwdriver to attach 2 screws through holes in the leg into the skillet pot.
4. Place right handle onto mounting studs under skillet pot.
5. Use screwdriver to attach 2 screws through holes in the leg into skillet pot.
6. **CAUTION:** Overtightening can result in stripping of screws or nuts or cracking of handle or feet.



## INTRODUCTION

### CONDITIONING OF THE NON-STICK COATED PAN

Before using your new appliance, wash the inside of the pan with warm, soapy water and dry. When washing the skillet, make sure the temperature controller is removed. Rub a film of cooking or salad oil all over the non-stick coating on the inside of the pan. Remove any excess oil with a cloth or paper towel.

The OSTER® Electric Skillet is now ready for use and it is unnecessary to condition it again.

### USING THE OSTER® ELECTRIC SKILLET

1. Push the temperature controller firmly into its socket found at the side of the appliance. Plug into a standard 120 Volt AC outlet.
2. Set the temperature you want by turning the knob on the temperature controller. The indicator light will come on. Set the temperature of your choice opposite the indicator light. When the light goes off, the chosen cooking temperature has been reached. During cooking, the light will blink on and off indicating the temperature is being maintained. Guidance in the choice of temperatures is supplied later in this book.
3. It is recommended that you not cook with the Electric Skillet standing on temperature sensitive surfaces.
4. For simmering, set the temperature controller to SIMMER and wait until the liquid boils. Turn the knob toward the WARM setting. Set the dial to this point each time SIMMER is specified in a recipe.
5. Do not use metal utensils in your Electric Skillet as they may damage the non-stick coating. Wood or plastic coated spatulas are best. If you use plastic tools, make sure they are suitable for use on hot surfaces.
6. To remove the temperature controller, first unplug from the wall outlet, then gently remove the controller from the socket.
7. No preheating is needed when using the product.

## HOW TO CLEAN YOUR SKILLET

### UNPLUG CORD AND REMOVE THE TEMPERATURE CONTROL PROBE

DO NOT IMMERSE CONTROL. Carefully wipe with a damp cloth.

**CAUTION:** Skillet is hot; handle carefully.

- Allow the appliance to cool. Wash the pan and lid with hot soapy water. You can totally immerse the pan or place in the dishwasher. The lid is also dishwasher-safe provided it is placed in the TOP RACK ONLY. DO NOT PLACE LID UPSIDE DOWN IN BOTTOM DISHWASHER RACK. To remove stubborn food residues, use a nylon scourer. NEVER use abrasive powder cleaners or metal scouring pads because these will damage the non-stick coating. After washing, dry the pan thoroughly, while paying particular attention to the electrical socket and pins. DO NOT USE METAL PADS TO CLEAN ELECTRICAL PINS.

## STORAGE AND MAINTENANCE

- Unplug cord and remove temperature controller. Allow appliance to cool before storing. Store your Electric Skillet in a dry location, such as on a tabletop or countertop, or on a cupboard shelf. Wind the electrical cord into a coil and secure with a twist fastener. For convenience, the temperature controller and cord can then be stored inside the skillet.

Other than recommended cleaning, no further user maintenance is necessary.

## TEMPERATURE GUIDE

The cooking temperatures listed in this user manual are estimates. Adjust the cooking temperature slightly up or down to achieve the results you prefer.

Food	Temperature	Approximate Time
Bacon	350° F / 175° C	5 – 8 Minutes
Eggs ( <i>Fried</i> )	300° F / 150° C	3 – 5 Minutes
Eggs ( <i>Scrambled</i> )	325° F / 162° C	2 – 3 Minutes
Pancakes	375° F / 190° C	1 – 3 Minutes
Hamburger ( <i>1/2-inch Thick</i> )	375° F / 190° C	Rare 4 – 8 Minutes Well Done 9 – 12 Minutes
Ham ( <i>1/2-inch – 1/4-inch Slices</i> )	325° F / 162° C	10 – 20 Minutes
Potatoes ( <i>Country Fried</i> ) ( <i>Crispy Brown</i> )	325° F / 162° C 350° F / 175° C	10 – 12 Minutes 10 – 12 Minutes
Sausage	340° F / 170° C	12 – 15 Minutes
Fish	375° F / 190° C	5 – 8 Minutes
Pork Chops ( <i>Breaded</i> ) ( <i>Brown</i> )	375° F / 190° C 225° F / 110° C	10 – 15 Minutes 30 – 40 Minutes
Cube or Minute Steak	400° F / 205° C	2 – 4 Minutes
Liver ( <i>Calf's, Lamb or Tender Beef</i> )	350° F / 175° C	5 – 10 Minutes
French Toast	325° F / 162° C	4 – 6 Minutes
Crusty Chicken ( <i>Use 4 Tbsp. Oil</i> ) <i>Do Not add water</i>	400° F / 200° C 300° F / 150° C	12 – 18 Minutes 10 – 15 Minutes

## RECIPES

---

### PORK CHOPS WITH SPANISH RICE

2 to 4 center cut pork chops,  
about 1/2-inch thick  
1/3 cup onion, chopped  
1/4 cup green bell pepper, chopped

1/3 cup raw long grain rice  
1/2 teaspoon chili powder  
1 can (14 1/2 ounces) whole  
tomatoes

Set skillet temperature to 350° F. Add chops and cook on first side 5 minutes. Turn chops; add onion and green bell pepper. Cook, stirring vegetables occasionally, 2 minutes. Reduce temperature to “WARM”. Add rice, chili powder and tomatoes and stir to blend into vegetables. Cover and cook 25 to 30 minutes, stirring occasionally.

---

### CHICKEN CACCIATORE

2 tablespoons vegetable oil  
3 to 4 pieces chicken  
(thighs, legs or halved breasts)  
1/3 cup onion, chopped  
1 bay leaf  
1 clove garlic, minced  
1 can (14 1/2 ounces) peeled,  
diced tomatoes

1/3 cup green bell pepper, chopped  
1 can (4 ounces) sliced mushrooms,  
drained  
1 teaspoon Italian seasoning  
Salt and ground black pepper to taste  
Hot cooked spaghetti or other pasta

Set skillet temperature to 350° F. Add oil. Arrange chicken pieces, skin side-down in skillet. Cook chicken until well browned on first side, about 5 minutes. Turn chicken. Add onion and garlic around chicken. Cook 3 minutes, or until onion is cooked, but not brown. Reduce temperature to “WARM”. Add remaining ingredients, except spaghetti. Cover and cook 30 to 40 minutes, or until chicken is cooked. Stir sauce and spoon over chicken occasionally. Serve chicken and sauce over spaghetti or other pasta.

## RECIPES

---

### CHEESE AND BACON POTATOES

6 slices bacon  
4 large potatoes, thinly sliced  
with skins on  
1 can (4 ounces) green chilies, chopped

1/4 cup onion, finely chopped  
1 1/2 cup (6 ounces) cheddar cheese,  
shredded

Place bacon in cold skillet. Set skillet temperature to 350° F. Fry bacon until crisp, remove and drain. Carefully remove grease, reserving 2 tablespoons bacon grease in skillet. Add potatoes to skillet; cover and cook 10 minutes. Turn potatoes and cook an additional 5 minutes. Crumble bacon and combine with green chilies and onion. Sprinkle over potatoes. Top with cheese; cover and cook 5 more minutes.

---

### PASTA WITH PEPPERS AND CHICKEN

1 clove garlic, minced  
1 tablespoon olive oil  
1 whole boneless, skinless chicken breast,  
cut into 1/2 inch x 2 inch strips  
1 cup red, green or yellow  
bell pepper (or combination), sliced  
1/2 teaspoon basil

Pinch ground red pepper  
Salt and ground black pepper to taste  
1 1/2 teaspoons cornstarch  
3/4 cup chicken broth  
4 ounces linguine or fettuccine,  
cooked and drained

Set skillet temperature to 350° F. Add garlic and oil and sauté 2 minutes. Add chicken; cook and stir for 5 minutes. Stir in bell peppers and allow to cook additional 2 minutes or until vegetables are crisp tender and chicken is done. Reduce temperature to 250° F. Blend seasonings and cornstarch into chicken broth, stirring until well blended. Pour broth mixture into skillet. Heat, stirring gently, 1 minute or until mixture is hot and thickened. Serve over pasta. Makes 2 servings.

## RECIPES

---

### SHRIMP AND VEGETABLE STIR-FRY

¾ lb. raw shrimp, shelled and deveined    2 stalks celery, sliced  
2 tablespoons light soy sauce    1 small sweet red bell pepper,  
2 tablespoons dry sherry wine    in thin strips  
2 teaspoons cornstarch    1 cup broccoli flowerets  
1 teaspoon grated gingerroot    ½ medium onion, thinly sliced  
1 tablespoon vegetable oil    5 large fresh mushrooms, sliced  
½ package (3 ounces) frozen snow peas, thawed

Place cleaned shrimp in bowl. Combine soy sauce, sherry, cornstarch, and gingerroot; pour over shrimp. Preheat skillet to 400° F. Add oil to skillet. Stir-fry celery, red bell pepper, broccoli and onions for 2 minutes. Add shrimp with marinade and stir-fry additional 2 minutes or until shrimp turn pink. Add mushrooms and snow peas. Stir-fry until heated through.

---

### EASY BEEF FAJITAS

Juice of 2 limes    ½ green or red bell pepper, thinly sliced  
2 tablespoon olive oil    4 flour tortillas  
½ teaspoons ground cumin    ½ cup (2 ounces) monterey jack or  
¼ teaspoon salt    cheddar cheese, shredded  
1 clove garlic minced    Guacamole, optional  
½ teaspoon red pepper flakes    Salsa, optional  
1 small onion, thinly sliced    Sour cream/Chopped tomatoes, optional  
⅓ lb. top round steak, thinly sliced    Freshly ground black pepper to taste

Combine lime juice, 1 tablespoon olive oil, cumin, salt, garlic, red pepper and black pepper in a bowl. Add beef and allow to stand, at room temperature, for 30 minutes. Set skillet temperature to 350° F / 180° C. Add remaining 1 tablespoon olive oil, onion and pepper and stir gently. Cover and cook 1 to 2 minutes or until vegetables are tender. Remove vegetables and keep warm. Drain meat, discard marinade and place meat in skillet, sauté meat 7 to 9 minutes or until done. Meanwhile wrap tortillas in aluminum foil and heat in oven for 5 minutes. To assemble, spoon about ¼ of meat and vegetables into center of each warmed tortilla. Sprinkle with 2 tablespoons cheese. Roll tortilla and place on serving plate. Garnish, as desired, with guacamole, salsa, sour cream and/or chopped tomatoes.

## RECIPES

---

### DENVER OMELET

½ cup ham, diced and cooked    3 eggs  
¼ cup green bell pepper, chopped    2 tablespoons water  
¼ cup fresh mushrooms, sliced    ⅛ teaspoon salt  
1 green onion, sliced    Dash cayenne pepper  
1 tablespoon butter or margarine  
⅓ cup (1 ounce) cheddar cheese, shredded

Set skillet temperature to 300° F. Add ham, green bell pepper, mushrooms, onions and butter. Sauté 2 minutes, stirring frequently. Arrange vegetables in an even layer. Lightly beat eggs with water, salt and cayenne pepper; pour egg mixture over ham and vegetables. Cover and cook 4 minutes or until eggs are set. Sprinkle with cheese, cover and cook additional 2 minutes. To serve, slice omelet in half then gently fold each part in half. Lift omelet from skillet with a wide spatula.

---

### HAM AND CHEESE FAVORITE

1 tablespoon butter or margarine    2 eggs  
¼ cup onion, chopped    ½ cup ham, chopped and cooked  
2 tablespoons all-purpose flour    ½ cup fresh spinach, chopped  
¼ cup milk  
¾ cup (3 ounces) Swiss cheese, shredded

Set skillet temperature to 300° F. Add butter and melt. Add onions and sauté until onions are tender, about 2 minutes, remove onion from skillet and set aside. Combine flour, milk and eggs; beat lightly to blend. Pour egg mixture into pan. Cover and cook 2 minutes. Arrange ham, spinach and cooked onions evenly over eggs. Sprinkle cheese evenly over top. Cover and cook additional 2 minutes. Gently cut into four pie-shaped wedges with a soft utensil. Lift each wedge onto serving plate.

## **1 Year Limited Warranty**

Sunbeam Products, Inc. doing business as Jarden Consumer Solutions or if in Canada, Sunbeam Corporation (Canada) Limited doing business as Jarden Consumer Solutions (collectively “JCS”) warrants that for a period of one year from the date of purchase, this product will be free from defects in material and workmanship. JCS, at its option, will repair or replace this product or any component of the product found to be defective during the warranty period. Replacement will be made with a new or remanufactured product or component. If the product is no longer available, replacement may be made with a similar product of equal or greater value. This is your exclusive warranty. Do NOT attempt to repair or adjust any electrical or mechanical functions on this product. Doing so will void this warranty.

This warranty is valid for the original retail purchaser from the date of initial purchase and is not transferable. Keep the original sales receipt. Proof of purchase is required to obtain warranty performance. JCS dealers, service centers, or retail stores selling JCS products do not have the right to alter, modify or any way change the terms and conditions of this warranty.

This warranty does not cover normal wear of parts or damage resulting from any of the following: negligent use or misuse of the product, use on improper voltage or current, use contrary to the operating instructions, disassembly, repair or alteration by anyone other than JCS or an authorized JCS service center. Further, the warranty does not cover: Acts of God, such as fire, flood, hurricanes and tornadoes.

### **What are the limits on JCS's Liability?**

JCS shall not be liable for any incidental or consequential damages caused by the breach of any express, implied or statutory warranty or condition.

Except to the extent prohibited by applicable law, any implied warranty or condition of merchantability or fitness for a particular purpose is limited in duration to the duration of the above warranty.

JCS disclaims all other warranties, conditions or representations, express, implied, statutory or otherwise.

JCS shall not be liable for any damages of any kind resulting from the purchase, use or misuse of, or inability to use the product including incidental, special, consequential or similar damages or loss of profits, or for any breach of contract, fundamental or otherwise, or for any claim brought against purchaser by any other party.

Some provinces, states or jurisdictions do not allow the exclusion or limitation of incidental or consequential damages or limitations on how long an implied warranty lasts, so the above limitations or exclusion may not apply to you.

This warranty gives you specific legal rights, and you may also have other rights that vary from province to province, state to state or jurisdiction to jurisdiction.

### **How To Obtain Warranty Service**

#### **In the U.S.A.**

If you have any question regarding this warranty or would like to obtain warranty service, please call 1-800-334-0759 and a convenient service center address will be provided to you.

#### **In Canada**

If you have any question regarding this warranty or would like to obtain warranty service, please call 1-800-667-8623 and a convenient service center address will be provided to you.

In the U.S.A., this warranty is offered by Sunbeam Products, Inc. doing business as Jarden Consumer Solutions located in Boca Raton, Florida 33431. In Canada, this warranty is offered by Sunbeam Corporation (Canada) Limited doing business as Jarden Consumer Solutions, located at 20 B Hereford Street, Brampton, Ontario L6Y 0M1. If you have any other problem or claim in connection with this product, please write our Consumer Service Department.

**PLEASE DO NOT RETURN THIS PRODUCT TO ANY OF THESE ADDRESSES OR TO THE PLACE OF PURCHASE.**

# PRECAUCIONES IMPORTANTES

**Obedezca siempre las precauciones elementales de seguridad cuando vaya a hacer uso de su tostadora, incluyendo las siguientes:**

- Asegúrese que los mangos de la sartén estén montados y ajustados adecuadamente de acuerdo a este manual.
- No toque superficies calientes, utilice agarraderas.
- Como protección contra choques eléctricos, no sumerja el controlador de la temperatura, el cable o el enchufe en agua u otros líquidos.
- Nunca deje la unidad sin supervisión si la utilizan los niños o si la misma se utiliza cerca de ellos.
- Desenchufe el electrodoméstico del tomacorriente cuando no esté en uso y antes de limpiar. Deje que la unidad se enfríe antes de quitar o agregar piezas y antes de limpiarla.
- No opere ningún electrodoméstico que tenga el cable o enchufe dañado, si la unidad no funciona correctamente o se ha dañado de alguna manera. Envíelo a un Centro de Servicio autorizado para que lo revisen, reparen o para un ajuste eléctrico o mecánico. Para ubicar el centro de servicio más cercano, llame al 1.800.334.0759.
- El uso de accesorios no recomendados por el fabricante del electrodoméstico puede causar heridas.
- No lo use al aire libre.
- No permita que el cable cuelgue por sobre el mostrador o la mesa ni toque superficies calientes.
- No lo coloque cerca o sobre una estufa a gas o eléctrica o en el horno caliente.
- Use suma precaución al desplazar el electrodoméstico si contiene aceite caliente o cualquier otro líquido caliente.
- Siempre coloque el controlador de temperatura en el electrodoméstico primero, luego enchúfelo al tomacorriente de la pared. Para desconectar, páguelo, quite el enchufe del tomacorriente de la pared y quite el controlador de temperatura del electrodoméstico.

- Sólo use este aparato con el Control De Temperatura de la Sartén Eléctrica Oster.
- No use el electrodoméstico para un propósito distinto para el cual fue diseñado.
- Se recomienda que no cocine con la Sartén Eléctrica o el Control de Temperatura colocado sobre superficies sensibles a la temperatura.
- Por favor usar la sonda PN 040258 o 040288 en los Estados Unidos y PN 040289 o 040290 en Canadá.
- Para prevenir riesgo de quemaduras, nunca llene la Sartén Eléctrica con aceite por mas de ½ pulgada (12.7 mm) de altura.

## LEA Y CONSERVE ESTAS INSTRUCCIONES

### Esta Unidad Es Sólo para Uso Doméstico

No se tiene adentro ninguna parte que el propio usuario pudiera utilizar para repararlo; por tanto no intente repararlo usted mismo.

Se ha provisto un cable eléctrico corto a fin de disminuir el riesgo de que haya tropiezos o se enrede con un cable más largo. **SIN EMBARGO, LA CALIFICACIÓN ELÉCTRICA INDICADA DEBE SER AL MENOS TAN ALTA COMO LA CALIFICACIÓN ELÉCTRICA DEL SARTÉN**

La extensión debe colocarse de manera que no cuelgue sobre la mesa o mostrador y fuera del alcance de los niños para evitar tropezarse con el cable.

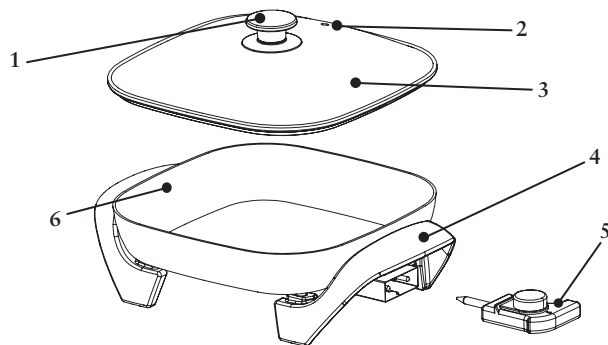
### ENCHUFE POLARIZADO

Este artefacto cuenta con una clavija polarizada (una hojilla es más ancha que la otra). Como medida de seguridad para reducir el riesgo de descarga eléctrica, esta clavija entra sólo de una manera en un enchufe polarizado. Si la clavija no encaja en el enchufe, simplemente colóquela al revés. Si aún así no encaja, contacte a un electricista calificado. De ninguna manera intente modificar esta medida de seguridad o modificar el enchufe. Si el enchufe queda flojo en el tomacorriente o el tomacorriente se recalienta no utilice ese tomacorriente.



## IDENTIFICACIÓN DE LAS PARTES

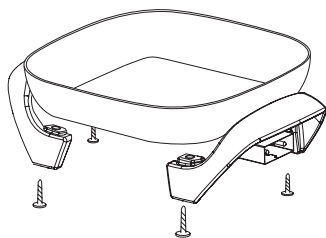
### CONOZCA SU SARTÉN ELÉCTRICO



1. Mango de la tapa
2. Rendija de ventilación
3. Tapa de Vidrio
4. Mango
5. Control de Temperatura
6. Olla de la sartén

### ENSAMBLANDO LOS MANGOS

1. No use la Sartén sin los mangos ensamblados
2. Coloque el mango izquierdo sobre los corchetes de soporte debajo de la sartén
3. Use un destornillador para sujetar 2 tornillos a la sartén a través de los agujeros en la pata
4. Coloque el mango derecho sobre los corchetes de soporte debajo de la sartén
5. Use un destornillador para sujetar 2 tornillos a la sartén a través de los agujeros en la pata
6. PRECAUCIÓN: Si ajusta demasiado puede robar los tornillos o pernos o quebrar los mangos o las patas.



## INTRODUCCIÓN

### CONDICIONAMIENTO DE LA SARTÉN CON RECUBRIMIENTO ANTIADHERENTE

Antes de usar el electrodoméstico nuevo, lave el interior de la sartén con agua y jabón tibia y seque. Antes de lavar la sartén, debe quitar el controlador. Frote una película de aceite de cocina o para ensalada sobre el recubrimiento antiadherente dentro de la sartén. Quite el exceso de aceite con un paño o toalla de papel.

La Sartén Eléctrica OSTER® está ahora lista para usar y no es necesario acondicionarla nuevamente.

### USANDO SU SARTÉN ELÉCTRICA OSTER®

1. Introduzca el controlador de temperatura firmemente en su enchufe en la parte lateral del electrodoméstico. Enchufe en un tomacorriente de 120 Voltios de CA.
2. Para fijar la temperatura deseada gire la perilla del controlador de temperatura. Se encenderá la luz indicadora. Fije la temperatura de su preferencia en el lado opuesto a la luz indicadora. Se apagará la luz cuando se ha alcanzado la temperatura deseada. Durante la cocción, la luz titilará intermitentemente para indicarle que se mantiene la temperatura. Este libro ofrece una guía para la elección de la temperatura.
3. No se recomienda usar la Sartén Eléctrica Tapa sobre superficies sensibles a la temperatura.
4. Para cocinar a fuego lento, coloque la perilla de control de la temperatura en FUEGO LENTO (SIMMER) y espere que el líquido hierva. Gire la perilla hacia el selector TIBIO (WARM). Coloque la perilla en este punto cada vez que la receta indique FUEGO LENTO.
5. No use utensilios de metal en su Sartén Eléctrica Tapa, ya que pueden dañar el recubrimiento antiadherente. Se recomienda usar espátulas de madera o plástico. Si usa utensilios de plástico, verifique que sean aptos para superficies calientes.

- Para remover el controlador de temperatura, primero desenchufe del tomacorriente de la pared, luego retire el control suavemente del enchufe.
- No se requiere precalentamiento cuando use este producto.

## CÓMO LIMPIAR LA SARTÉN

### DESENCHUFE EL CABLE Y REMUEVA EL MEDIDOR PARA CONTROLAR LA TEMPERATURA

NO SUMERJA EL CONTROL. Limpie cuidadosamente con una tela húmeda.

CUIDADO: La Sartén esta caliente: manipule con cuidado.

- Deje enfriar el electrodoméstico. Lave la sartén y la tapa con agua jabonosa caliente. Puede sumergir totalmente la sartén o colocarla en el lavaplatos. La tapa también se puede lavar en el lavaplatos, siempre y cuando la coloque EN EL ESTANTE SUPERIOR SOLAMENTE. NO COLOQUE LA TAPA DADA VUELTA EN EL ESTANTE INFERIOR DEL LAVAPLATOS. Para quitar restos de comida que quedaron adheridos, use una esponja de nylon. NUNCA use polvos abrasivos o esponjas de metal, porque dañarán el recubrimiento antiadherente. Luego de lavar, seque la sartén por completo, prestando atención al enchufe eléctrico y pernos. NO USE ESPONJAS DE METAL PARA LIMPIAR LOS PERNOS ELÉCTRICOS.

### ALMACENAMIENTO Y MANTENIMIENTO

Desenchufe el cable y remueva el medidor para controlar la temperatura. Deje enfriar el electrodoméstico antes de guardarlo. Guarde la Sartén Eléctrica Tapa en un lugar seco, por ejemplo sobre la mesa de cocinar o en un estante del armario. Enrosque el cable eléctrico en una bobina y sujételo con un gancho. Para su conveniencia, el medidor para controlar la temperatura y el cable pueden ser guardados dentro de la sartén.

Salvo por la limpieza recomendada, no se requiere ningún mantenimiento especial.

## GUÍA DE TEMPERATURA

Las temperaturas de cocción que se indican en este manual del usuario son estimados. Ajuste la temperatura de cocción ligeramente hacia arriba o hacia abajo para lograr los resultados que usted prefiera.

Tipo de Alimento	Temperatura	Tiempo Aproximado
Tocino	350° F / 175° C	5 – 8 Minutos
Huevos ( <i>Fritos</i> )	300° F / 150° C	3 – 5 Minutos
Huevos ( <i>Revueltos</i> )	325° F / 162° C	2 – 3 Minutos
Panqueques	375° F / 190° C	1 – 3 Minutos
Hamburguesas ( <i>1/2-Pulgada de Grosor</i> )	375° F / 190° C	Poco Cocida 4 – 8 Minutos Bien Cocida 9 – 12 Minutos
Jamón ( <i>1/2-pulg. a 1/4 -pulg. en Fetas</i> )	325° F / 162° C	10 – 20 Minutos
Papas ( <i>papas fritas en cubos estilo desayuno</i> <i>Doradas y Crocantes</i> )	325° F / 162° C 350° F / 175° C	10 – 12 Minutos 10 – 12 Minutos
Salchicha	340° F / 170° C	12 – 15 Minutos
Pescado	375° F / 190° C	5 – 8 Minutos
Chuletas de Cerdo ( <i>empanizadas</i> <i>doradas</i> )	375° F / 190° C 225° F / 110° C	10 – 15 Minutos 30 – 40 Minutos
Bistec en Cubos o Bistec Delgado	400° F / 205° C	2 – 4 Minutos
Hígado ( <i>Bife de Ternero, Cordero o Tierno</i> )	350° F / 175° C	5 – 10 Minutos
Toastada Francesa	325° F / 162° C	4 – 6 Minutos
Pollo Crocante ( <i>Use 4 Cu. de Aceite</i> <i>No Agregue Aguar</i> )	400° F / 200° C 300° F / 150° C	12 – 18 Minutos 10 – 15 Minutos

## RECETAS

---

### CHULETAS DE CERDO CON ARROZ ESPAÑOL

2 a 4 chuletas de cerdo de corte central  
de una ½ pulgada de espesor  
½ taza de cebolla picada  
¼ taza de pimiento verde picado enteros

½ taza de arroz grano largo crudo  
½ cucharadita de chile en polvo  
1 lata (14 ½ onzas) de tomates

Fije la temperatura del sartén en 350° F. Agregue las chuletas y cocine el primer lado por 5 minutos. Voltee las chuletas, agregue la cebolla y el pimiento verde. Cocine, revuelva los vegetales ocasionalmente por 2 minutos. Reduzca la temperatura a “WARM” (tibio). Agregue el arroz, el chile en polvo y los tomates, y revuelva para mezclar con los vegetales. Cubra y cocine por 25 a 30 minutos, revuelva ocasionalmente.

### POLLO A LA CAZADORA

2 cucharadas de aceite vegetal  
3 a 4 piezas de pollo  
(muslo, pierna, o pechugas en mitades)  
½ taza de cebolla picada  
1 hoja de laurel  
1 diente de ajo, picado  
1 lata (14 ½ onzas) de tomates  
y picados pelados

½ taza de pimiento verde  
1 lata (4 onzas) de champiñones  
en rodajas escurridos  
1 cucharadita de aderezo italiano  
Sal y pimienta negra molida al gusto  
Espagueti caliente cocinado  
u otra pasta

Fije la temperatura del sartén en 350° F. Agregue el aceite. Coloque las piezas de pollo, con la piel sobre el sartén. Cocine el pollo hasta que esté dorado en el primer lado, unos 5 minutos. Voltee el pollo. Agregue la cebolla y el ajo alrededor del pollo. Cocine por 3 minutos, o hasta que la cebolla esté cocinada pero no dorada. Reduzca la temperatura a “WARM” (tibio). Agregue los ingredientes restantes, excepto el espagueti. Cubra y cocine por 30 a 40 minutos, o hasta que el pollo esté cocinado. Revuelva la salsa y vierta sobre el pollo ocasionalmente. Sirva el pollo y la salsa sobre el espagueti u otra pasta.

## RECETAS

---

### PAPAS CON QUESO Y TOCINO

6 rodajas de tocino  
4 papas grandes, en rodajas delgadas  
on la cáscara rallado  
1 lata (4 onzas) de chiles verdes picados

¼ taza de cebolla, finamente picada  
1 ½ taza (6 onzas) de queso  
Cheddar,

Coloque el tocino en el sartén frío. Fije la temperatura en 350° F. Fría el tocino hasta que esté crujiente, retire y escurra. Con cuidado, retire la grasa, reservando 2 cucharadas de grasa del tocino en el sartén. Agregue las papas al sartén, cubra y cocine por 10 minutos. Voltee las papas y cocine 5 minutos adicionales. Triture el tocino y combine con los chiles verdes y la cebolla. Esparza sobre las papas. Cubra con queso; tape y cocine por 5 minutos más.

### PASTA CON PIMIENTOS Y POLLO

1 diente de ajo, picado  
1 cucharada de aceite de oliva  
1 pechuga de pollo entera, sin piel,  
cortada en tiras de ½ pulgada x 2 pulgadas  
1 taza de pimientos verdes, rojos o amarillos  
(o combinación) cocinados y escurridos  
½ cucharadita de albahaca

Una pizca de pimienta roja molida  
Sal y pimienta negra molida al gusto  
1 ½ cucharadita de maicena  
¾ taza de caldo de pollo  
4 onzas de pasta linguine o  
fettuccine, cocinada y escurrida

Fije la temperatura del sartén en 350° F. Agregue ajo y aceite y sofría por 2 minutos. Agregue el pollo; cocine y revuelva por 5 minutos. Agregue los pimientos y deje cocinar por 2 minutos adicionales o hasta que los vegetales estén crujientes y suaves y el pollo esté cocinado. Reduzca la temperatura a 250° F. Agregue las especias y la maicena en el caldo de pollo, mezclando hasta que esté bien combinado. Vierta la mezcla del caldo en el sartén. Caliente, mezclando suavemente por 1 minuto o hasta que la mezcla esté caliente y espesa. Sirva sobre la pasta. Rinde 2 porciones.

## RECETAS

---

### SALTEADO DE CAMARONES Y VEGETALES

- |   |  |
|---|--|
| ¾ lb. de camarones, crudos pelados y desvenados               | 2 ramas de apio, en rodajas                |
| 2 cucharadas de salsa soya ligera                             | 1 pimiento rojo pequeño, en tiras delgadas |
| 2 cucharadas de vino de jerez seco                            | 1 taza de ramitos de brócoli               |
| 2 cucharaditas de maicena                                     | ½ cebolla mediana, en rodajas delgadas     |
| 1 cucharadita de raíz de jengibre rallada                     | 5 champiñones grandes frescos, en rodajas  |
| 1 cucharada de aceite vegetal                                 |  |
| ½ paquete (3 onzas) de guisantes congelados, ya descongelados |  |

Coloque los camarones limpios en un tazón. Mezcle la salsa soya, el jerez, la maicena y la raíz de jengibre y agregue sobre los camarones. Precaliente el sartén a 400° F. Agregue aceite al sartén. Saltee el apio, el pimiento verde, el brócoli y la cebolla por 2 minutos. Agregue los camarones con el adobo y saltee por otros 2 minutos adicionales o hasta que los camarones se vuelvan rosados. Agregue los champiñones y los guisantes. Saltee hasta que todo esté caliente.

### BISTEC PIMIENTA

- |   |  |
|---|--|
| 2 cucharaditas de granos de pimienta negra o una mezcla de granos de pimienta negra, verde y rosada | 1 cucharada de mantequilla o margarina |
| ½ a ¾ lb. de carne para bistec sin hueso, (1 tira o un bistec de lomo)                              | 1 cebolla verde, en rodajas            |
| 3 cucharadas de agua  | 3 cucharadas de bourbon o caldo de res |

Coloque los granos de pimienta en una bolsa plástica. Triture los granos de pimienta con un rodillo o mazo. Presione los granos de pimienta triturados de manera uniforme en ambos lados de la carne. Coloque a un lado. Fije la temperatura del sartén en 300° F. Agregue la carne y cocine por 7 minutos por lado para una cocción medio cruda, o hasta el nivel de cocción deseado. Retire la carne del sartén y mantenga tibia. Agregue la mantequilla y la cebolla verde. Sofría, revolviendo por 1 minuto. Combine el bourbon/caldo de carne y agua; vierta sobre la cebolla verde. Deje cocinar, revolviendo constantemente, unos 2 minutos o hasta que la salsa se haya espesado ligeramente. Corte la carne en porciones de servir. Regrese la carne al sartén y sirva la salsa sobre la carne. Caliente por 1 minuto. Sirva la carne con la salsa por encima.

## RECETAS

---

### TORTILLA DENVER

- |  |                                   |
|--|-----------------------------------|
| ½ taza de jamón cocido en cuadritos      | 3 huevos                          |
| ¼ taza de pimiento verde picado          | 2 cdas. de agua                   |
| ¼ taza de champiñones frescos rebanados  | ½ cda. sal                        |
| una pizca de pimienta de cayena          | 1 cebollín en rueditas            |
| ½ taza (1 oz.) de queso cheddar, rallado | 1 cda. de mantequilla o margarina |

Ajuste la temperatura de la sartén a 350° F / 180° C. Agregue el jamón, pimientos, champiñones, cebollas y la mantequilla. Sofría 2 minutos revolviendo frecuentemente. Arregle los vegetales en una capa uniforme. Bata ligeramente los huevos con el agua, sal, y la pimienta de cayena; vierta la mezcla de huevo sobre el jamón y los vegetales. Tape y cocine 4 minutos o hasta que los huevos estén listos. Espolvoree con queso, tape y cocine 2 minutos adicionales. Para servir, corte la tortilla por la mitad y luego doble suavemente cada parte sobre su otra mitad. Utilice una espátula para levantarlas de la sartén.

### FAVORITOS DE JAMÓN Y QUESO

- |  |                                  |
|--|----------------------------------|
| 1 cucharada de mantequilla margarina       | ¼ taza de leche                  |
| ¼ taza de cebolla picada                   | 2 huevos                         |
| 2 cucharadas de harina para todo propósito | ½ taza de jamón cocinado picado  |
| ¾ taza (3 onzas) de queso suizo, rallado   | ½ taza de espinaca fresca picada |

Fije la temperatura del sartén en 300° F. Agregue mantequilla y derrita. Agregue la cebolla y sofría hasta que esté suave, unos 2 minutos, luego retire la cebolla del sartén y coloque a un lado. Combine la harina, la leche y los huevos; bata ligeramente para que se mezclen. Vierta la mezcla de huevos en el sartén. Cubra y cocine por 2 minutos. Coloque el jamón, la espinaca y la cebolla cocinada de manera uniforme sobre los huevos. Esparza queso de manera uniforme sobre los huevos. Cubra y cocine por 2 minutos adicionales. Suavemente cortadas en cuatro trozos en forma de pastel con un utensilio de suave. Sirva cada porción en un plato de servir.

## *Garantía Limitada de 1 Año*

Sunbeam Products, Inc. operando bajo el nombre de Jarden Consumer Solutions, o en Canadá, Sunbeam Corporation (Canada) Limited operando bajo el nombre de Jarden Consumer Solutions, (en forma conjunta, “JCS”), garantiza que por un período de un año a partir de la fecha de compra, este producto estará libre de defectos de materiales y mano de obra. JCS, a su elección, reparará o reemplazará este producto o cualquier componente del mismo que presente defectos durante el período de garantía. El reemplazo se realizará por un producto o componente nuevo o reparado. Si el producto ya no estuviera disponible, se lo reemplazará por un producto similar de valor igual o superior. Ésta es su garantía exclusiva. No intente reparar o ajustar ninguna función eléctrica o mecánica de este producto. Al hacerlo eliminará ésta garantía.

La garantía es válida para el comprador minorista original a partir de la fecha de compra inicial y la misma no es transferible. Conserve el recibo de compra original. Para solicitar servicio en garantía se requiere presentar un recibo de compra. Los agentes y centros de servicio de JCS o las tiendas minoristas que venden productos de JCS no tienen derecho a alterar, modificar ni cambiar de ningún otro modo los términos y las condiciones de esta garantía.

Esta garantía no cubre el desgaste normal de las piezas ni los daños que se produzcan como resultado de uso negligente o mal uso del producto, uso de voltaje incorrecto o corriente inapropiada, uso contrario a las instrucciones operativas, y desarme, reparación o alteración por parte de un tercero ajeno a JCS o a un Centro de Servicio autorizado por JCS. Asimismo, la garantía no cubre actos fortuitos tales como incendios, inundaciones, huracanes y tornados.

### **¿Cuál es el límite de responsabilidad de JCS?**

JCS no será responsable de daños incidentales o emergentes causados por el incumplimiento de alguna garantía o condición expresa, implícita o legal.

Excepto en la medida en que lo prohíba la ley aplicable, cualquier garantía o condición implícita de comerciabilidad o aptitud para un fin determinado se limita, en cuanto a su duración, al plazo de la garantía antes mencionada.

JCS queda exenta de toda otra garantías, condiciones o manifestaciones, expresa, implícita, legal o de cualquier otra naturaleza.

JCS no será responsable de ningún tipo de daño que resulte de la compra, uso o mal uso del producto, o por la imposibilidad de usar el producto, incluidos los daños incidentales, especiales, emergentes o similares, o la pérdida de ganancias, ni de ningún incumplimiento contractual, sea de una obligación esencial o de otra naturaleza, ni de ningún reclamo iniciado contra el comprador por un tercero.

Algunas provincias, estados o jurisdicciones no permiten la exclusión o limitación de los daños incidentales o emergentes ni las limitaciones a la duración de las garantías implícitas, de modo que es posible que la exclusión o las limitaciones antes mencionadas no se apliquen en su caso.

Esta garantía le otorga derechos legales específicos y es posible que usted tenga otros derechos que varían de un estado, provincia o jurisdicción a otro.

### **Cómo solicitar el servicio en garantía**

#### **En los Estados Unidos**

Si tiene alguna pregunta sobre esta garantía o desea recibir servicio de garantía, llame al 1-800-334-0759 y podrá obtener la dirección del centro de servicio que le resulte más conveniente.

#### **En Canadá**

Si tiene alguna pregunta sobre esta garantía o desea recibir servicio de garantía, llame al 1-800-667-8623 y podrá obtener la dirección del centro de servicio que le resulte más conveniente.

En los Estados Unidos, esta garantía es ofrecida por Sunbeam Products, Inc. operando bajo el nombre de Jarden Consumer Solutions, Boca Ratón, Florida 33431. En Canadá, esta garantía es ofrecida por Sunbeam Corporation (Canada) Limited operando bajo el nombre de Jarden Consumer Solutions, 20 B Hereford Street, Brampton, Ontario L6Y 0M1. Si usted tiene otro problema o reclamo en conexión con este producto, por favor escriba al Departamento de Servicio al Consumidor.

**FAVOR NO DEVUELVA ESTE PRODUCTO A NINGUNA DE ESTAS DIRECCIONES NI AL LUGAR DE COMPRA.**

**NOTES**

---

---

---

---

---

---

---

---

---

---

---

---

---

---

---

**NOTAS**

---

---

---

---

---

---

---

---

---

---

---

---

---

---

---