



## Wireless Charging Desk Lamp with Night Light and Digital Display

### CONGRATULATIONS!

You've purchased the finest in natural lighting technology with your new OttLite® product.

### PRODUCT REGISTRATION FORM

Please complete the enclosed Product Registration Form and return it today by mail.

**WARNING:** To prevent electric shock, make sure the lamp is not plugged in until all steps are complete.

### NOTE: THIS UNIT IS FULLY ASSEMBLED

1. Remove the lamp from the packaging and place on a flat surface.
2. Connect the power adaptor to the rear of the lamp and into a standard 120V household outlet. **Note: Only use with the supplied power adapter to avoid damage or fire.**
3. When first plugged in the clock will start to chime, press up or down (▲▼) on the rear of the lamp to silence it.
4. Touch button (A) to turn the lamp on/off and adjust the brightness.
5. Touching and holding button (A) will change the color mode.
6. Touch button (F) to turn on/off night light and adjust the brightness.

### TO SET THE CLOCK:

1. On the rear of the lamp, locate and press "S" button and the hour will start to flash. Use the (▲▼) to adjust the hour.
  - Press "S" again and the minutes will start to flash. Use the (▲▼) to adjust the minutes.
  - Pressing "S" again will allow you to change the date. Use the (▲▼) to adjust the date.

### TO SET THE ALARM/SNOOZE:

1. On the rear of the lamp, locate and press "M" button to activate Alarm mode, indicated on the screen by icon (C).
  - Press "S" button and the hour will start to flash. Use the (▲▼) to adjust the hour.
  - Press "S" again and the minutes will start to flash. Use the (▲▼) to adjust the minutes and then the date.
  - Press "S" again and the minutes for snooze will start to flash. Use the (▲▼) to adjust the minutes.
  - Press "S" again and the the number "1" under the minutes will start to flash. Use the (▲▼) to change the alarm tone.
  - In alarm mode use (▲▼) to activate alarm and/or snooze function. If the "Alarm On" icon (D) or "Snooze On" icon (E) is visible on the display, the function is on. See chart provided.

### SNOOZE:

1. Press (▲▼) button to reactivate snooze alarm.
  - Press "S" button to turn off snooze alarm.

### CHANGING MODE:

1. Press (▼) button to change the temperature unit between °C or °F.
  - Press (▲) to change between 24 hour or 12 hour formats.

### WIRELESS CHARGING:

1. Center your device on the Qi wireless charging emblem (G) and a red indicator light (H) on top of the base will come on to indicate charging. If the red indicator light begins to flash, your device may not be centered on the charger. **Note: The lamp does provide any indication of when the device is fully charged.**

### CLOCK DISPLAY BRIGHTNESS:

1. Press the "Display" button located above the "S" and "M" buttons to change the clock display brightness level.

**CAUTION!** DEVICE MAY BECOME WARM DURING CHARGING. THIS IS NORMAL AND PART OF THE PROCESS. CHARGING TIMES VARY BY DEVICE.

**SAFETY WARNING:** TO REDUCE THE RISK OF FIRE, ELECTRIC SHOCK, OR INJURY TO PERSONS

1. Turn lamp off and **WAIT UNTIL LAMP HEAD IS COOL** before handling.
2. The LED panel (J) might get hot after several hours of continuous use. **DO NOT** place your hands directly on LED light panel.
3. Never use with an extension cord unless the plug can be fully inserted into the receptacles in the extension cord.
4. Do not alter the plug.
5. The lamp head included with this unit cannot be replaced by the consumer.
6. **INDOOR USE ONLY.**

**NOTE:** The important safety instructions appearing in this instruction sheet are not meant to cover all possible conditions and situations that may occur. It must be understood that common sense, caution, and care must be used with any electrical product.

### BATTERY REPLACEMENT

- This lamp uses a CR2032 battery. For battery replacement see diagram.
- Battery compartment (K) is located on back of lamp.
- To remove/install button cell battery: use a screwdriver to remove battery compartment door. Button cell battery is to be installed with the "+" or flat side facing upward.

**BATTERY DISPOSAL:** Battery disposal should be in compliance with local regulations pertaining to the disposal of hazardous materials. **DO NOT INCINERATE.**

### SAFETY WARNING:

- **CAUTION: DO NOT INGEST BATTERY; CHEMICAL BURN HAZARD!**
  - This lamp contains a coin/button cell battery. If the coin/button cell battery is swallowed, it can cause severe internal burns in just two hours and can lead to death.
  - Keep new and used batteries away from children.
  - If the battery compartment does not close securely, stop using the product and keep it away from children.
  - If you think batteries might have been swallowed or placed inside any part of the body, seek immediate medical attention.
- NOTE:** Coin/button cell batteries are small, single cell devices having a diameter greater than their height.

**CAUTION!** IF THE EXTERNAL FLEXIBLE CABLE OR CORD OF THIS LUMINAIRE IS DAMAGED, IT SHALL BE EXCLUSIVELY REPLACED BY THE MANUFACTURER OR ITS SERVICE AGENT OR A SIMILAR QUALIFIED PERSON IN ORDER TO AVOID A HAZARD. **INDOOR USE ONLY.**

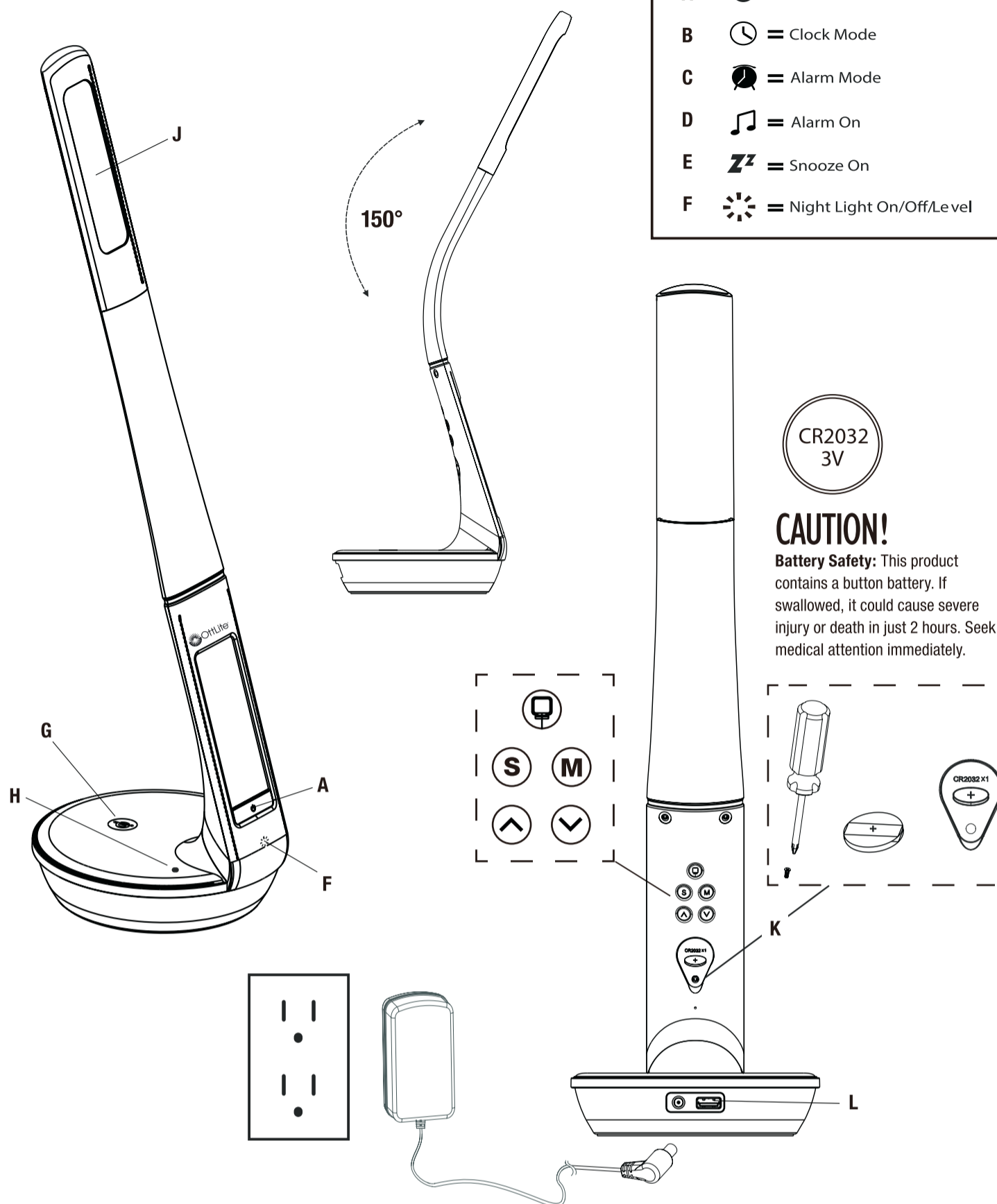
**CAUTION!** THE LIGHT SOURCE OF THIS LUMINAIRE IS NOT REPLACEABLE; WHEN THE LIGHT SOURCE REACHES ITS END OF LIFE THE WHOLE LUMINAIRE SHALL BE REPLACED.

**CAUTION:** Any change or modification to product not expressly recognized by OttLite Technologies voids OttLite's responsibility for proper function of product.

## FCC PART 15

Note: This equipment has been tested and found to comply with the limits for a Class B digital device, pursuant to Part 15 of the FCC rules. These limits are designed to provide reasonable protection against harmful interference in a residential installation. This equipment generates, uses and can radiate radio frequency energy and, if not installed and used in accordance with the instructions, may cause harmful interference to radio communications. However, there is no guarantee that the interference will not occur in a particular installation. If this equipment does cause harmful interference to radio or television reception, which can be determined by turning the equipment off and on, the user is encouraged to try to correct the interference by one or more of the following measures:

- Reorient or relocate the receiving antenna.
- Increase the separation between the equipment and receiver.
- Connect the equipment into an outlet on a circuit different from that to which the receiver is connected.
- Consult the dealer or an experienced radio/TV technician for help.



## Wireless Charging Desk Lamp with Night Light and Digital Display

CSEQC00Z CSEQCG5Z 1413765

U8QAFSB3



INS200552

REV021120

Changes or modifications not expressly approved by the party responsible for compliance could void the user's authority to operate the equipment.

This device complies with Part 15 of the FCC Rules. Operation is subject to the following two conditions:

- (1) this device may not cause harmful interference, and
- (2) this device must accept any interference received, including interference that may cause undesired operation.

### FCC/IC RF RADIATION EXPOSURE STATEMENT CAUTION:

To maintain compliance with the FCC's RF exposure guidelines, place the product at least 20cm from nearby persons.

Déclaration d'exposition aux rayonnements RF FCC/IC attention: pour maintenir la conformité aux directives d'exposition aux RF de la FCC, placez au moins 20 cm des personnes voisines.

## IC CANADA

This device contains licence-exempt transmitter(s)/receiver that comply with Innovation, Science and Economic Development Canada's licence-exempt RSS(s). Operation is subject to the following two conditions:

1. This device may not cause interference.
2. This device must accept any interference, including interference that may cause undesired operation of the device.

L' metteur/r cepteur exempt de licence contenu dans le pr sent appareil est conforme aux CNR d'Innovation, Sciences et D veloppement onomique Canada applicables aux appareils radio exempts de licence. L'exploitation est autoris e aux deux conditions suivantes :

1. L'appareil ne doit pas produire de brouillage;
2. L'appareil doit accepter tout brouillage radio lectrique subi, m me si le brouillage est susceptible d'en compromettre le fonctionnement.

### CAN RSS-216/CNR-216

### CAN ICES-005 (B)/NMB-005 (B)

**POWER ADAPTER SPECIFICATION:**  
Input: AC 100-240V, 50/60 Hz, 1.2A Max  
Output: 12V DC, 2.5A with a Male DC Plug

### Qi CHARGER SPECIFICATION:

Output: up to 5 Watts depending on device

THIS LAMP CONTAINS a 5V, 2.1A USB output port (L) located on the bottom rear of lamp. USB port can charge items such as tablets, cellular phones, etc.

The "Qi" symbol is a trademark of the Wireless Power Consortium