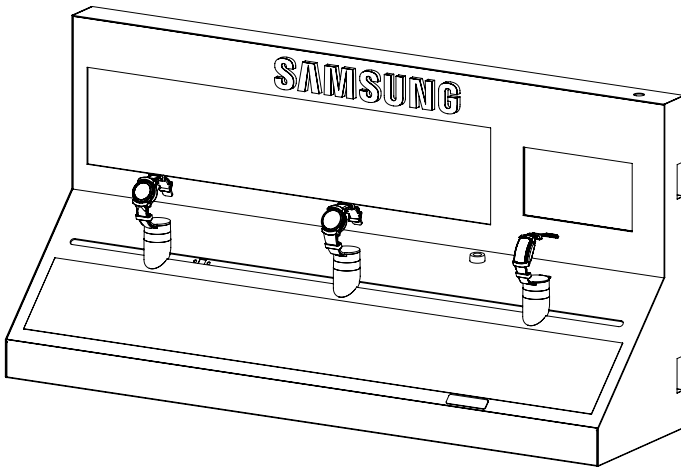


User manual

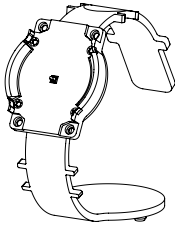
Model:UM100322

Brand:OUTFORM

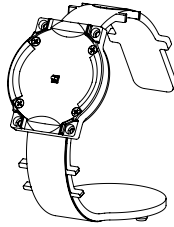


User Guide

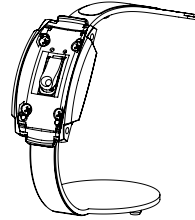
C-Clips and Charging Plates (3 types)



S2 Classic

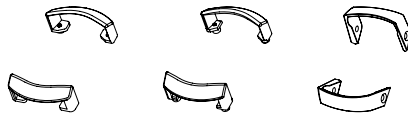


S2 Sport



Gear Fit 2

Gear Frame Bracket (3 Types)

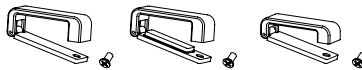


S2 Classic

S2 Sport

Gear Fit 2

Band Clip (x12)

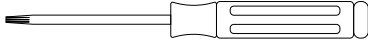


S2 Classic

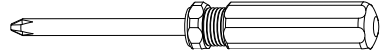
S2 Sport

Gear Fit 2

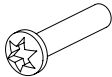
Torque Screwdriver



Screwdriver



C-Clip Screws
(x6)



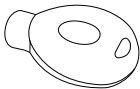
Watch Bracket
Screw (x14)



Phillips
Screws (x6)



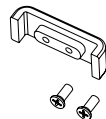
IR Key



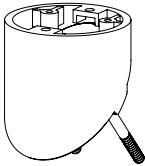
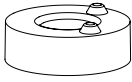
Friction Pads



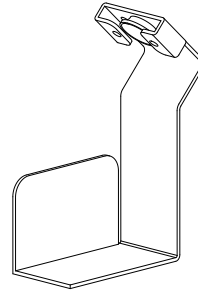
Fit Band Lock
and Screws



Alarm Puck



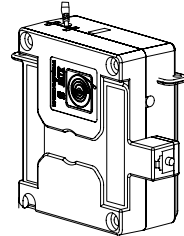
Pull Box Bracket



Alarm Cable Connector Assembly



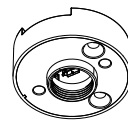
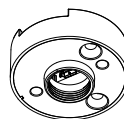
Pull Box



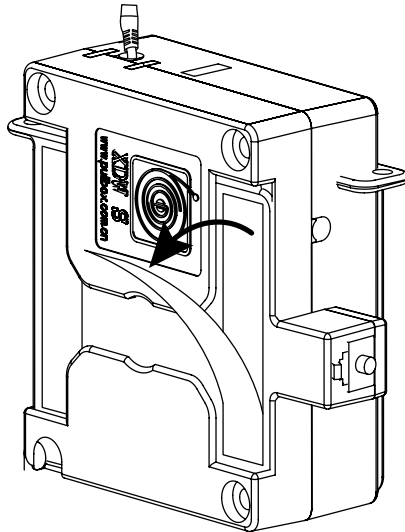
Wing Nut



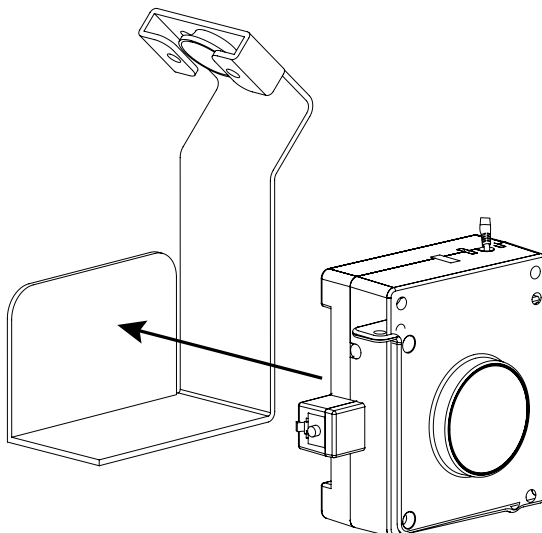
Alarm Puck Caps
(two kinds)



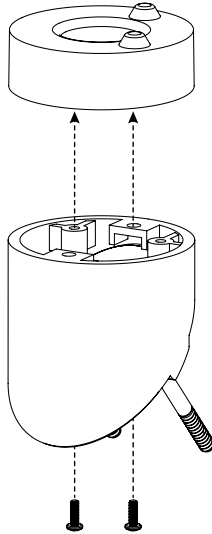
Step 1. Remove protective film from the side of the pull box.



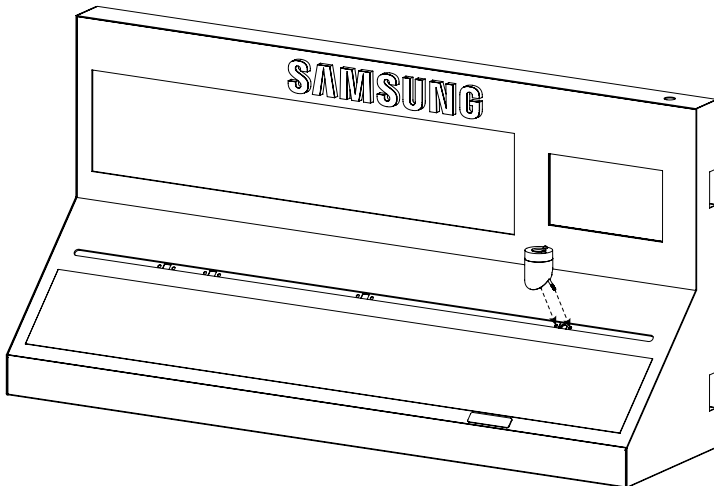
Step 2. Install the pull box into the pull box bracket. Press the pull box into place for ten seconds to ensure adhesion.



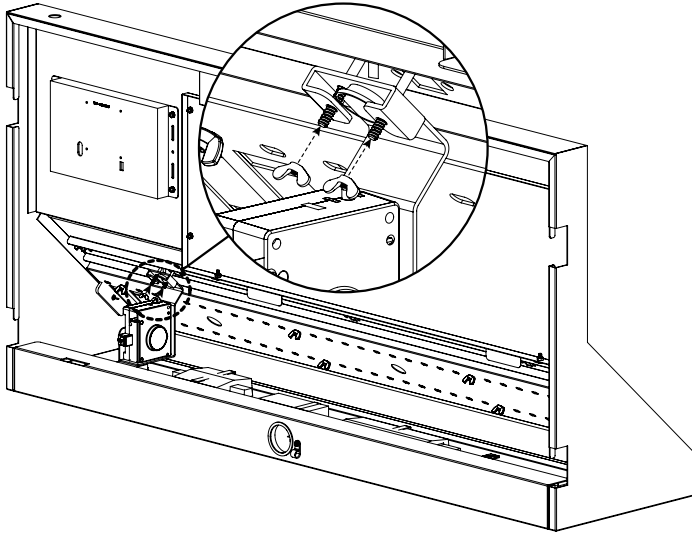
Step 3. Connect the two halves of the alarm puck together using two Phillips screws and the screwdriver.



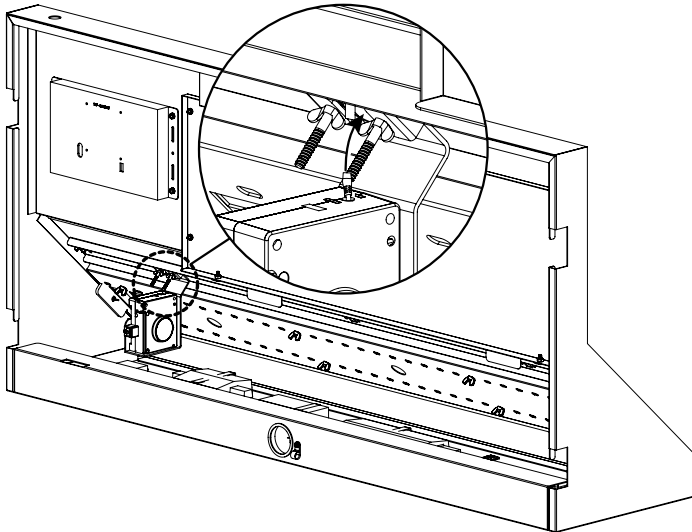
Step 4. Slide the threaded posts on the alarm puck into the slot on the front surface of the display. Make sure that the threaded rods go into the holes on the top of the pull box bracket.



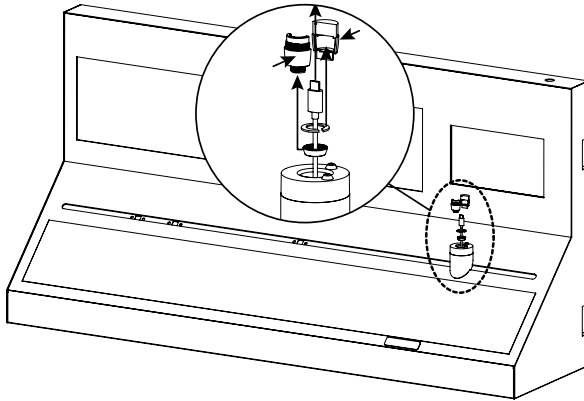
Step 5. Secure the alarm puck to the pull box bracket with two wing nuts.



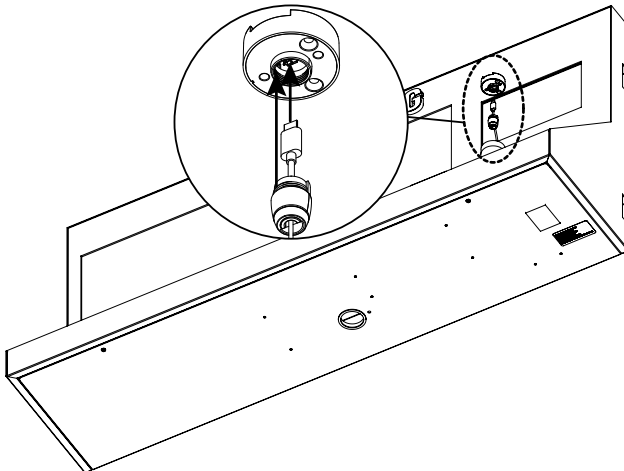
Step 6. Thread the cable from the pull box up through the center of the alarm puck.



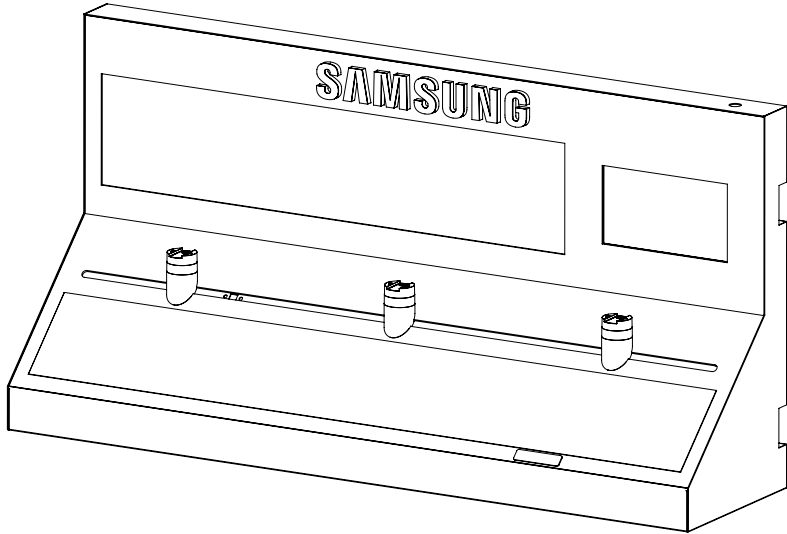
Step 7. From the front side of the display, attach the alarm cable connector assembly to the pull box cable. First slide on the bottom plastic ring (threaded side facing the connector on the cable). Next, slip the plastic slip washer onto the cable between the connector and the plastic ring. Then, put the two halves of the threaded connector together with the slip washer inside below the cable connector. Screw the bottom plastic ring onto the assembled threaded connector halves.



Step 8. Plug the micro USB cable into the port on the bottom of the C-clip base and screw on the alarm cable connector. There is one alarm puck base for the Fit and there are two for the S2 Classic. Make sure that the Gear Fit C-Clip is installed on the correct alarm puck.

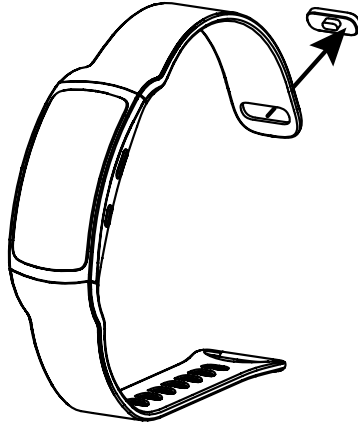


Step 9. Repeat this process to install the other two alarm pucks.

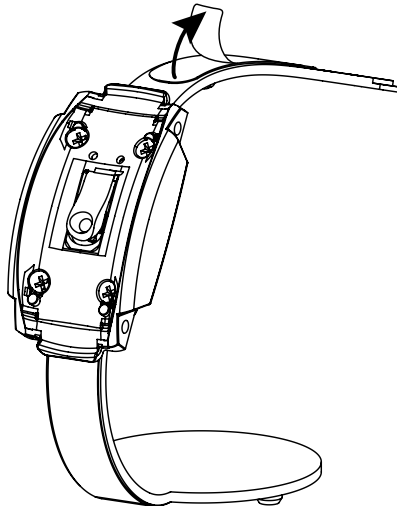


Note: All C-clips require a watch with a large band.

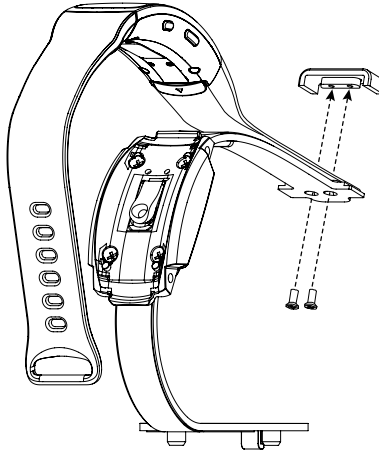
Step 1. For Gear Fit: If there is a plug in the hole at end of the watch band, remove the plug. Insert the Fit band lock into the hole at the end of the band.



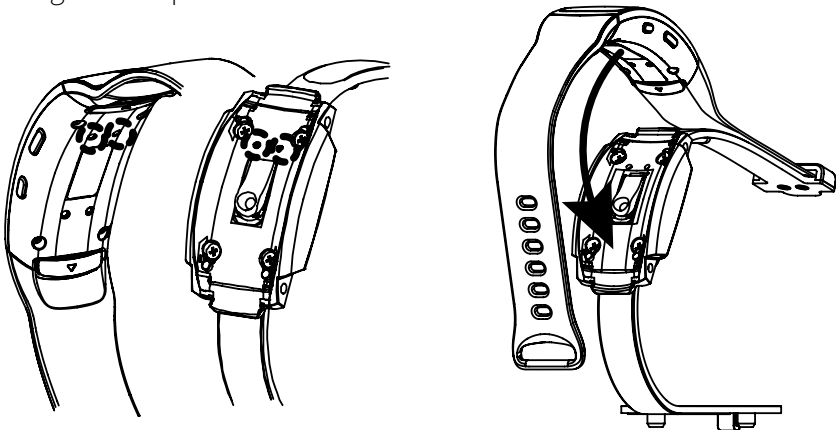
Step 2. Remove the protective film from the adhesive strip on the top of the Gear Fit C-clip.



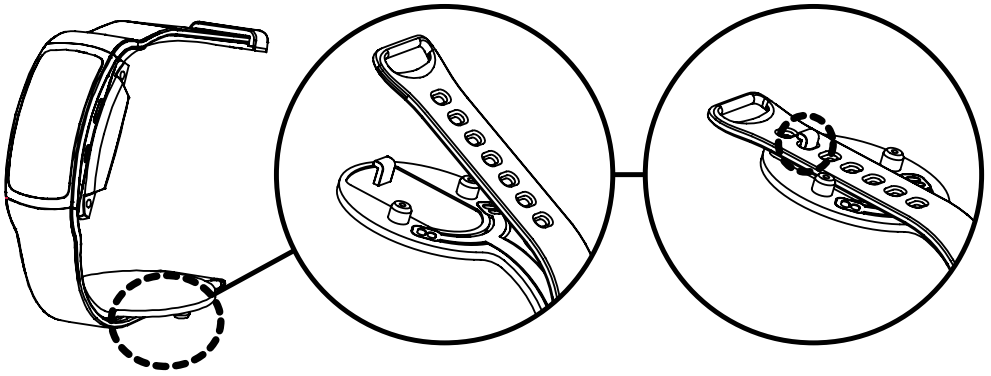
Step 3. Use the screwdriver and two small screws to secure the top fit band to the C-clip. Twist the screws into the Fit band lock at the end of the band.



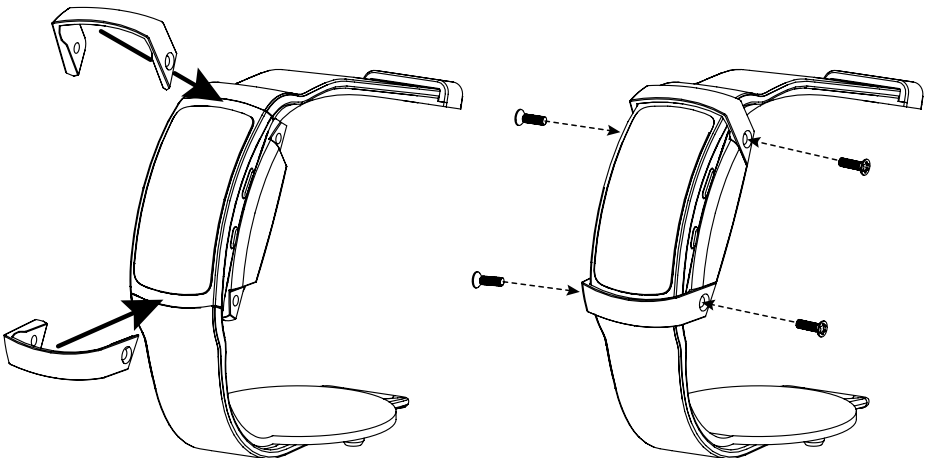
Step 4. Place the Gear Fit onto to the charging plate on the C-clip. Make sure that the 4 contact points on the back of the Gear Fit align with the 4 pins on the charging plate. Place the Gear Fit straight down and do not slide it across the face of the charging plate as this could damage the alarm sensor. Attach the band to the C-clip using the C-clip screw and screwdriver.



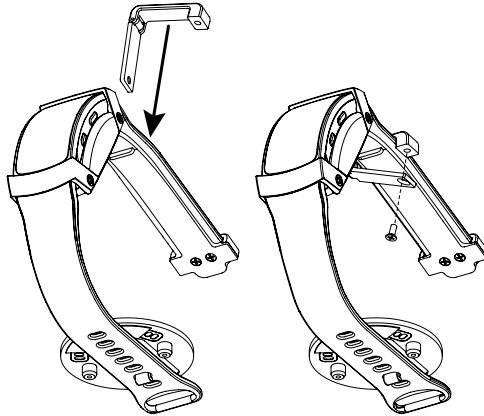
Step 5. Lock the bottom Fit band into place by pulling it tight around the C-clip and hooking the second hole from the end of the band onto the tab sticking out of the bottom of the C-clip.



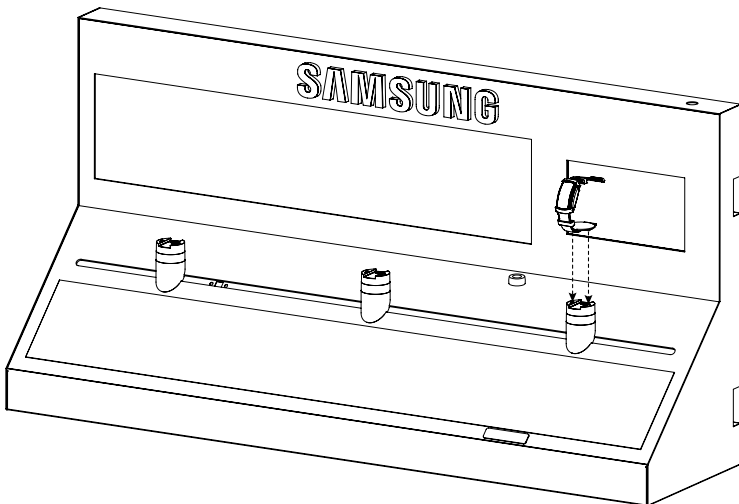
Step 6. Install the Gear Fit frame brackets on both sides of the watch face. Use the torque screwdriver and four torque screws to secure the brackets in place.



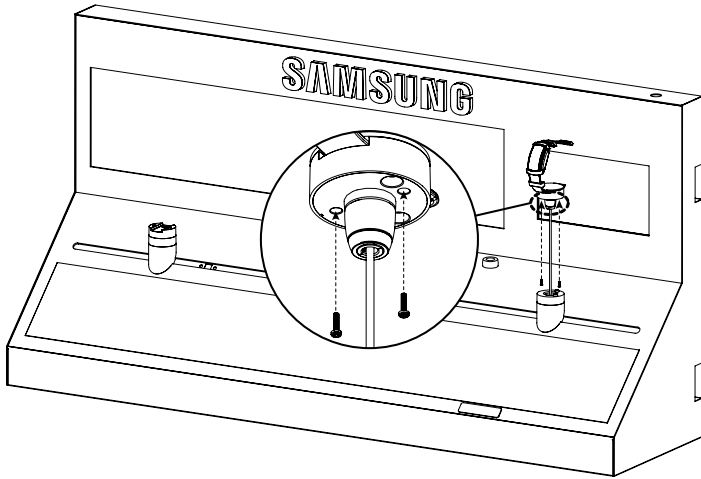
Step 7. Secure the Gear Fit 2 to the C-clip with a Band clip. Close the band clip onto the C-clip and watch band. The band clip should sit between the watch face and the metal tab on the inside of the C-clip. Use the screwdriver and a small Phillips screw to secure the band clip. Repeat this process to install the second band clip.



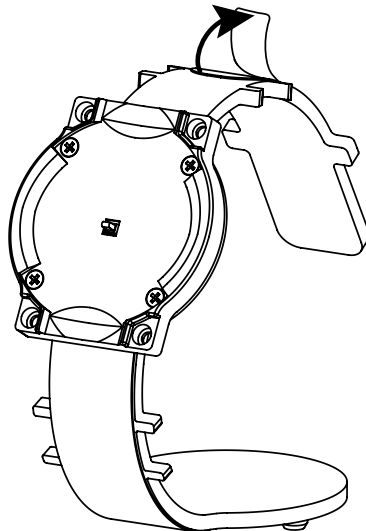
Step 8. Seat the bottom of the C-clip and Gear Fit together onto the alarm puck, inserting the 2 protruding bottom clip rods into the corresponding puck holes.



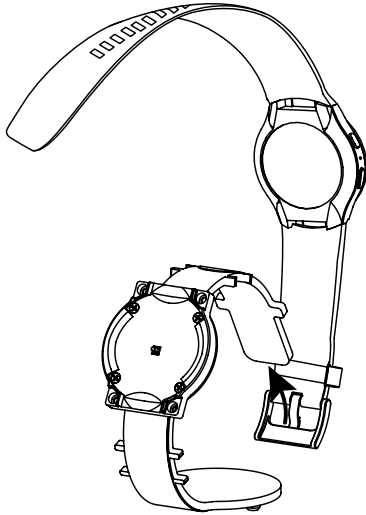
Step 9. Pull up the tethered alarm puck cap and C-clip together. Using the torque screwdriver, insert and tighten the 2 alarm puck cap screws into the bottom of the puck cap, securing the cap to the Gear Fit and C-clip.



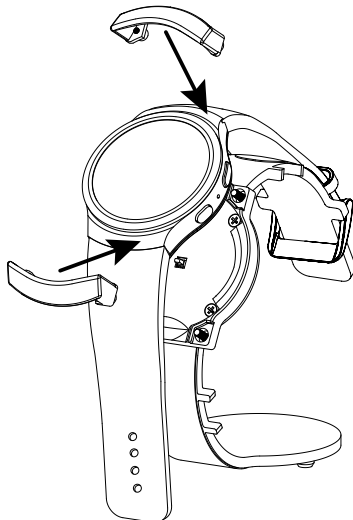
Step 10. Remove the protective film from the double sided stickers that are mounted to the top of the next C-clip (either S2 classic or sport).



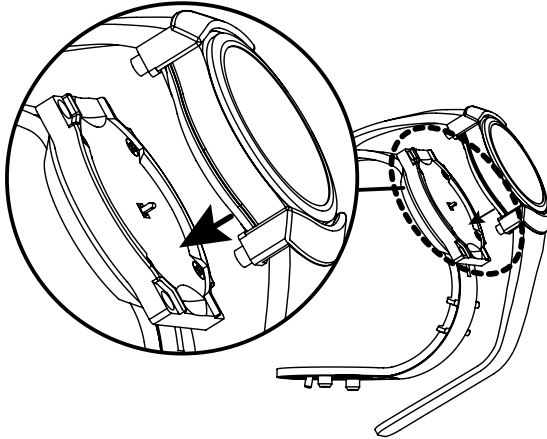
Step 11. Hook the Gear 2 watch buckle over the end of the C-clip and fold the watch band around to the bottom of the C-clip.



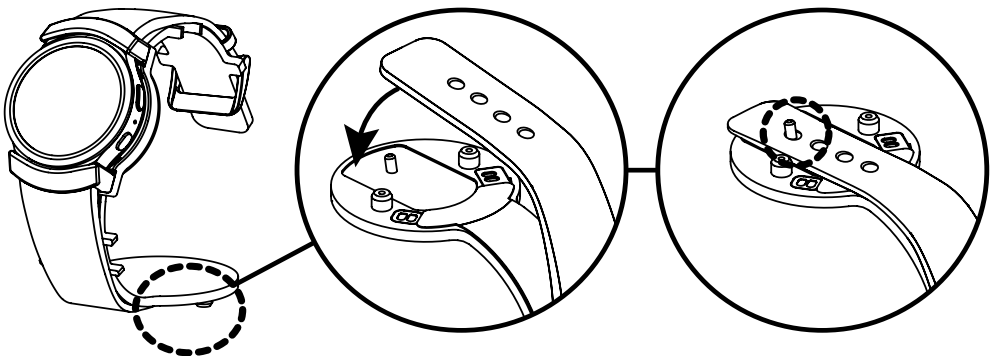
Step 12. Install the Gear Fit frame brackets on both sides of the watch face.



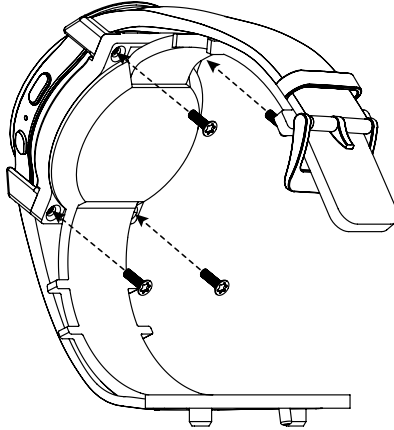
Step 13. Seat the watch face onto the charging plate of the C-clip.



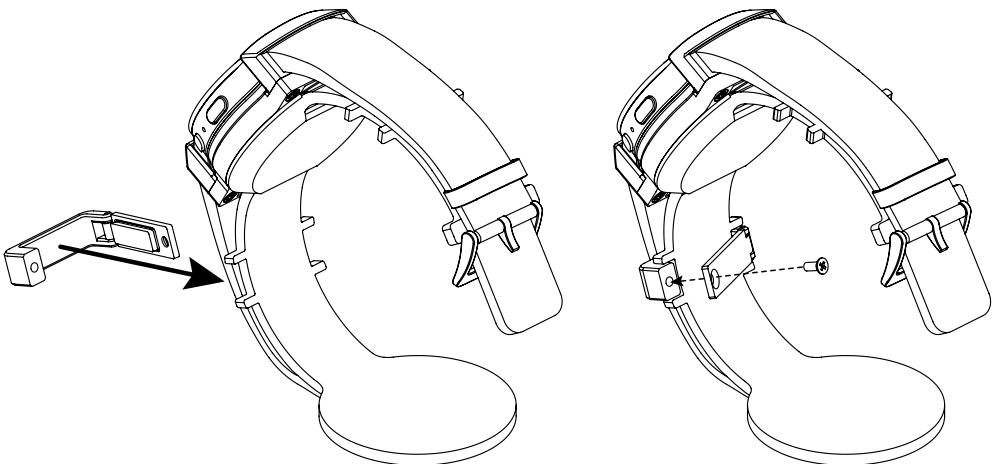
Step 14. Lock the bottom Gear S2 band into place by pulling it tight around the C-clip and hooking the hole of the band onto the tab sticking out of the bottom of the C-clip. The band should sit tight around the C-clip.



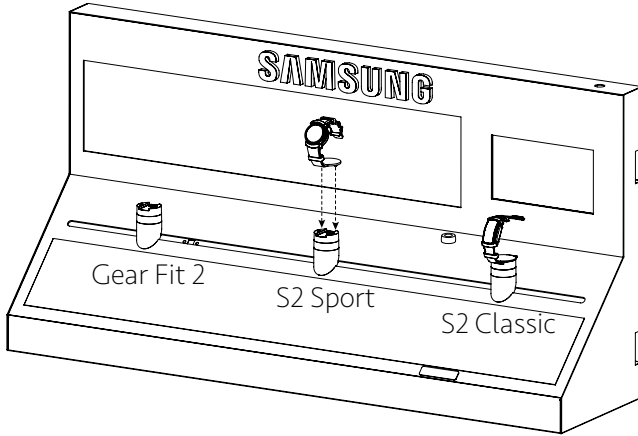
Step 15. Use the torque screwdriver and four torque screws to secure the brackets in place.



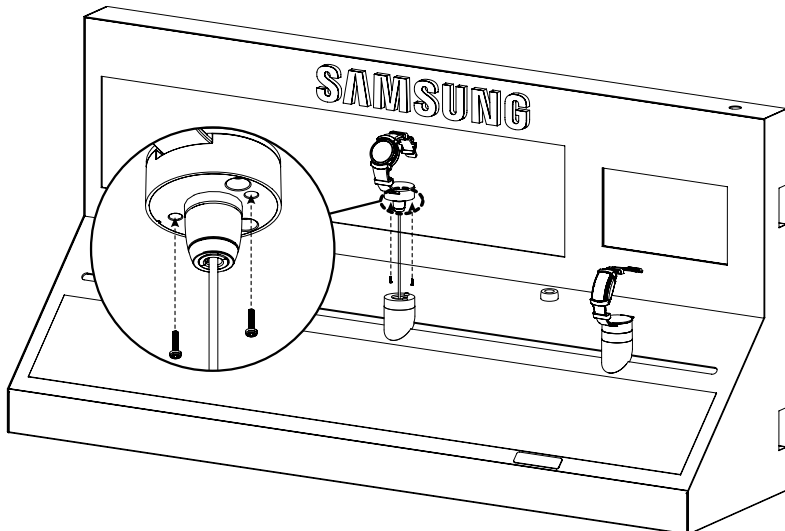
Step 16. Install the Gear frame brackets on the top and bottom of the watch face. Use the torque screwdriver and four torque screws to secure the brackets in place from behind.



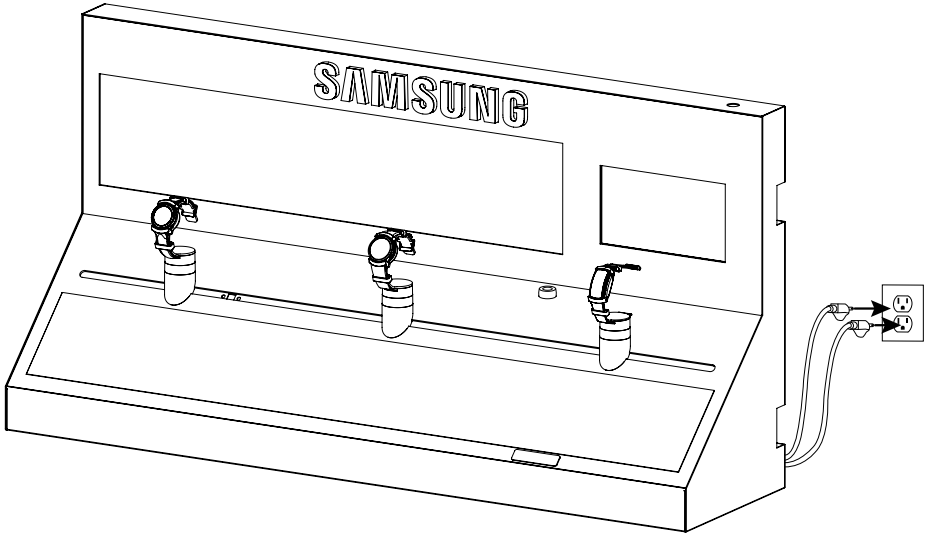
Step 17. Seat the bottom of the C-clip and watch together onto the alarm puck, inserting the 2 protruding bottom clip rods into the corresponding puck holes.



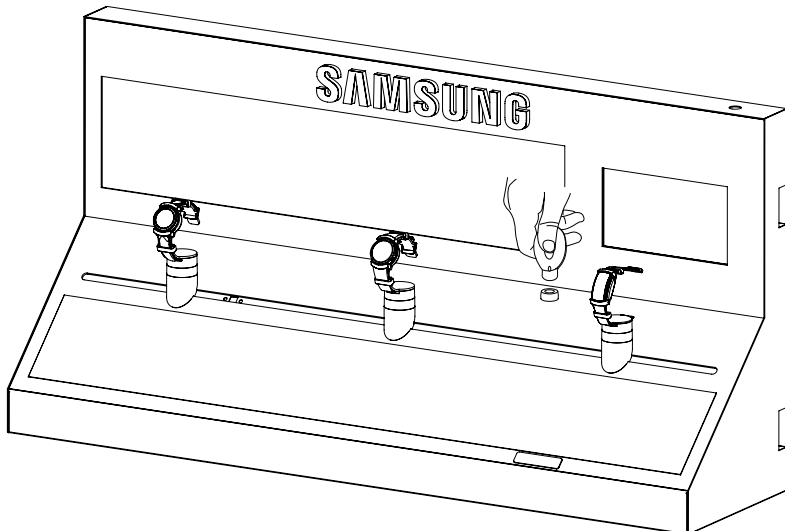
Step 18. Pull up the tethered alarm puck cap and watch together. Using the screwdriver, insert and tighten the 2 alarm puck cap screws into the bottom of the puck cap, securing the cap to the watch and C-clip. Repeat steps 10-16 for additional watch.



Step 19. Plug the display power cables into a nearby power outlet. The watches start charging and the alarm is active. **Note: When unplugging the display, first use the IR key to disarm the alarm.**



Step 20. **To disarm an activated alarm:** While holding the IR key up against the IR lens as shown below, press the key button to disarm the alarm. The alarm is active again when the watch causing the alarm is returned to its charger.



FCC Caution.

This device complies with part 15 of the FCC Rules. Operation is subject to the following two conditions: (1) This device may not cause harmful interference, and (2) this device must accept any interference received, including interference that may cause undesired operation.

Any Changes or modifications not expressly approved by the party responsible for compliance could void the user's authority to operate the equipment.

Note: This equipment has been tested and found to comply with the limits for a Class B digital device, pursuant to part 15 of the FCC Rules. These limits are designed to provide reasonable protection against harmful interference in a residential installation. This equipment generates uses and can radiate radio frequency energy and, if not installed and used in accordance with the instructions, may cause harmful interference to radio communications. However, there is no guarantee that interference will not occur in a particular installation. If this equipment does cause harmful interference to radio or television reception, which can be determined by turning the equipment off and on, the user is encouraged to try to correct the interference by one or more of the following measures:

- Reorient or relocate the receiving antenna.
- Increase the separation between the equipment and receiver.
- Connect the equipment into an outlet on a circuit different from that to which the receiver is connected.
- Consult the dealer or an experienced radio/TV technician for help.

The USB port only used for DC charging, not connected to a computer for data transmission function.