

20447-2 KeyPAC Desktop Reader Installation Instructions

Description

The KeyPAC PC Desktop Reader is an accessory for use with a PAC Administration interface unit. This system is used for direct PC to controller communications (fig. 1).

Note: This Desktop Reader will read **KeyPAC** ID-devices including ISO thickness ID cards. It **will not** read the earlier **PAC** ID devices. Always specify **KeyPAC** when you buy ID devices.

Note: It is unlikely that you will need an Interface Kit at a PC that already has a KeyPAC CNC attached. CNCs have front panel readers, which can also be used for administration.

WARNING: The Interface Unit contains mains voltages. This procedure should only be carried out by a suitably qualified and experienced person. If you have any doubts as to your suitability contact PAC for advice. Failure to do so may result in injury or death by electric shock.

WARNING: If, at any time, the interface kit or its wiring appear damaged then immediately disconnect it from the mains and contact PAC for advice. Failure to do so can result in electric shock and/or further damage to equipment.

Figure 1. Desktop Reader and Line Driver

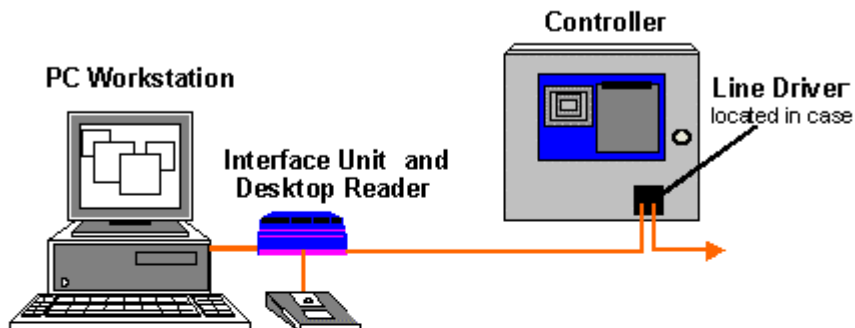
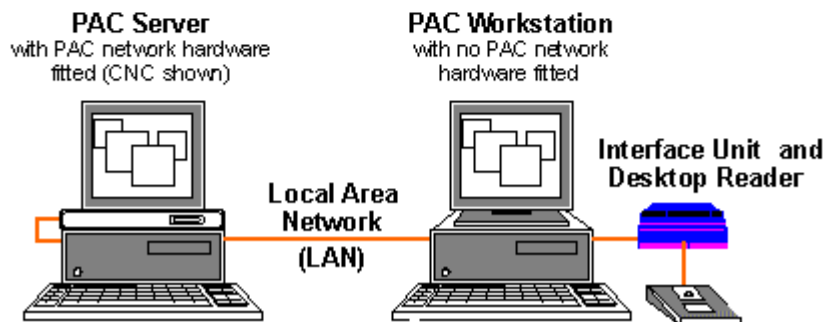


Figure 2. Desktop Reader Only (Multi-PC System)



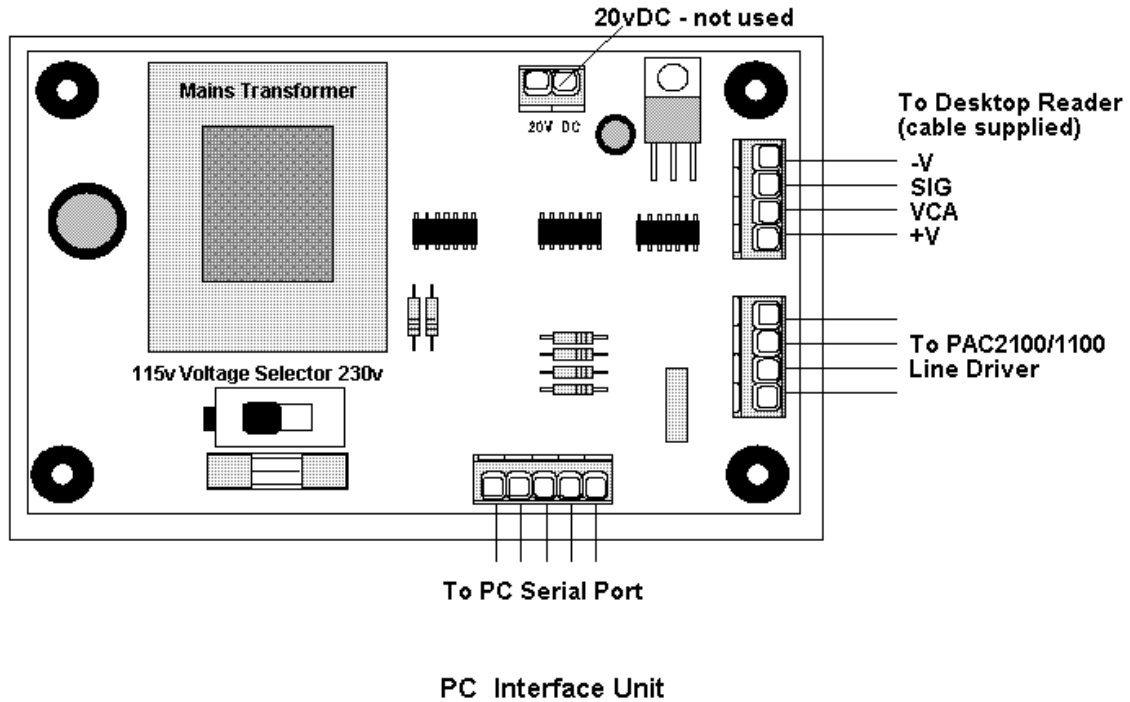
Installation

Opening the Interface Unit

WARNING: This Interface Unit contains mains voltages. Before opening ensure that it is disconnected from the mains. Failure to do so can result in injury or death by electric shock.

Make sure that the Interface Unit is **not** connected to the mains then remove the lid by removing the 4 screws recessed in the base.

There are removable terminal blocks fitted to the circuit board as shown below:



Connecting the Desktop reader

The Desktop reader supplied with the kit is complete with cable and terminal block. Fit the terminal block with the screw heads facing the centre of the interface unit, and route the cable through the grommet provided. Wiring for provided cables - for information only

KeyPAC Desktop Reader to Interface

1.5m cable supplied.

KeyPAC PC Interface	Desktop Reader
4-pole Terminal Block	KeyPAC Desktop reader
-V	-V Green
VCA	VCA Yellow
SIG	SIG White
+V	+V Brown

Specification

Dimensions	5.12in x 3.54in x 1.25in
Voltage	10.5v DC to 20v DC (Supplied by Administration Interface Unit)
Current	Idle: 10-20mA Reading: 10-20mA
Temperature	Operating: -10°C to +55°C (14°F to 130°F) Storage: -30°C to +80°C (-20°F to 175°F)
Humidity	Operating: 0-90% RH at 30°C ±2°C (85°F±5°F) for 24 hours
Reading Range	0-2 inches
Lead Length	56 inches

This device complies with part 15 of the FCC rules. Operation is subject to the following two conditions (1) this device may not cause harmful interference, and (2) this device must accept any interference received, including interference that may cause undesired operation.

FCC ID OQL-PAC-DT