

**Wifi kit**  
**Neops base terminals**  
**Operation manual**

**Original edition in French (ref. MKL 05/019)  
Translated into English in February 2006.**

**© Copyright 2006 Parkeon. All rights reserved.**

Parkeon reserves all proprietary rights relating to the contents of this document. Parkeon reserves all rights over usage, reproduction, representation, marketing, translation, adaptation or modification, and generally all rights over present and future utilisation by any means, for any purpose and in any territory, throughout the period of protection. All use of the contents of this document requires the prior written permission of Parkeon. Parkeon reserves the right to change data, drawings and descriptions without prior notice. Certain characteristics may vary according to customer requirements and do not represent a commitment by Parkeon.

**Parkeon UK Ltd.**

Membrain House  
Ferndown Industrial Estate  
Wimborne, Dorset  
BH21 7PP - United Kingdom  
Phone +44 1202 850927 - Fax +44 1202 850903

**Parkeon Inc.**

40 Twosome Drive, Unit 7  
Moorestown  
NJ 08057 - USA  
Phone +1 856 234 8000 - Fax +1 856 234 7178

**Parkeon S.A.S.**

Parc La Fayette, 6 rue Isaac Newton, 25075 Besançon Cedex 9 - France  
Phone +33 (0)3 81 54 56 00 - Fax +33 (0)3 81 54 49 96

Head office: Le Barjac, 1 boulevard Victor, 75015 Paris - France  
Phone +33 (0)1 58 09 81 10 - Fax +33 (0)1 58 09 81 26

Parkeon S.A.S au capital de 30.382.146 euros  
444 719 272 R.C.S. Paris

Printed in France.

## Contents

<b>1. ABOUT THIS DOCUMENT...</b>	<b>4</b>
<b>2. CHARACTERISTICS</b>	<b>5</b>
2.1 MAIN BOARD	5
2.2 SLAVE BOARD	6
2.3 DESCRIPTION OF FUNCTIONS	7

## 1. About this document...

This document describes the operation of the Wifi kit:

- Starting up,
- operation,
- maintenance, used to centralise Neops base terminals in Wifi.

### Reference

---

Document describing the configurations of centralised systems	MKL <a href="#">04/020</a>
User manual of <i>Parkfolio</i> <sup>Neo</sup> On-Line	Document <a href="#">ref. 141596</a>

---

### FCC Compliance Statement



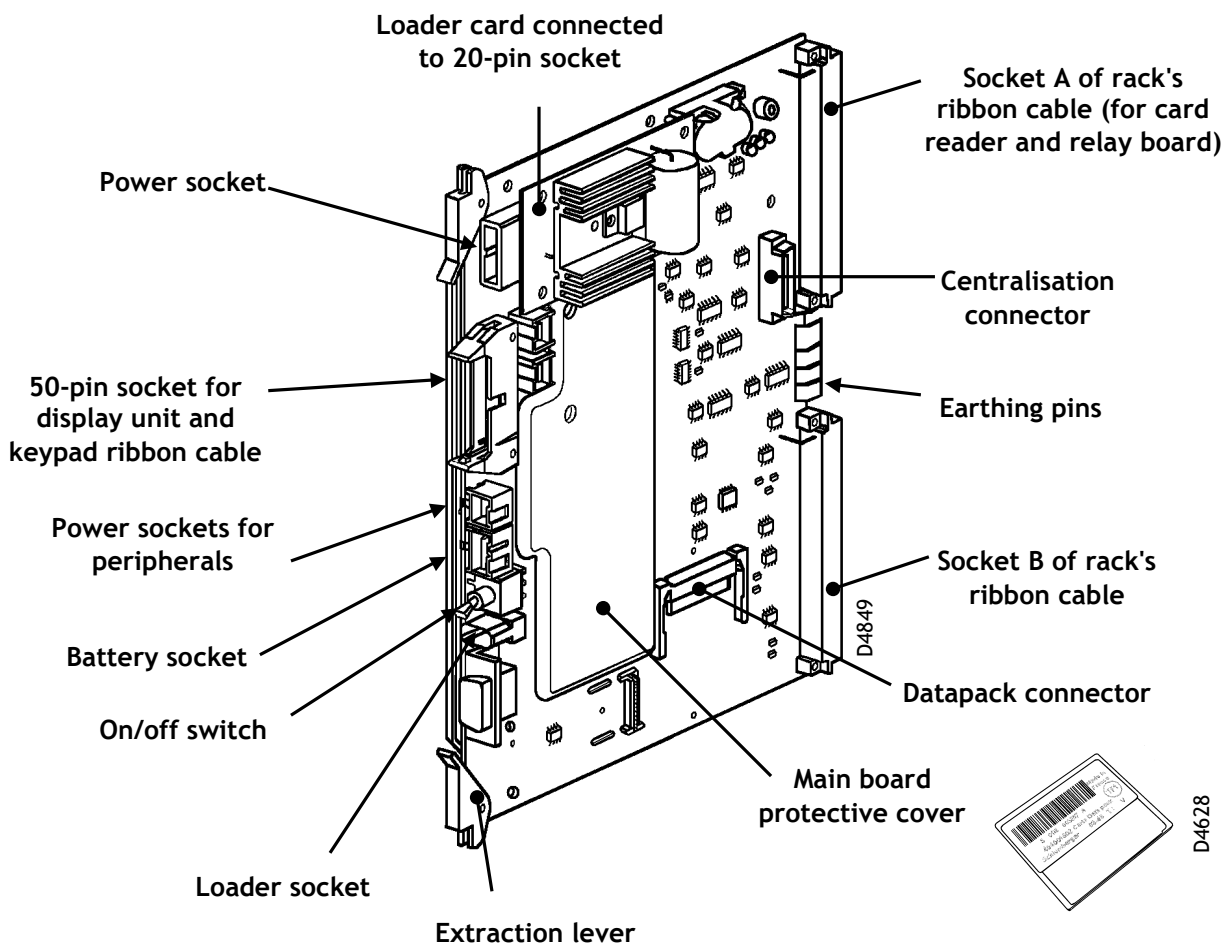
This device complies with part 15 of the FCC rules. Operation is subject to the following two conditions:

1. This device may not cause harmful interference, and
2. This device must accept any interference received, including interference that may cause undesired operation.

Note: The manufacturer is not responsible for any radio or tv interference caused by unauthorized modifications to this equipment. Such modifications could void the user's authority to operate the equipment.

## 2. Characteristics

### 2.1 Main board

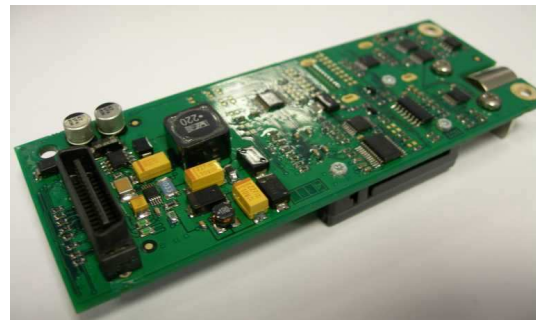


## 2.2 Slave board

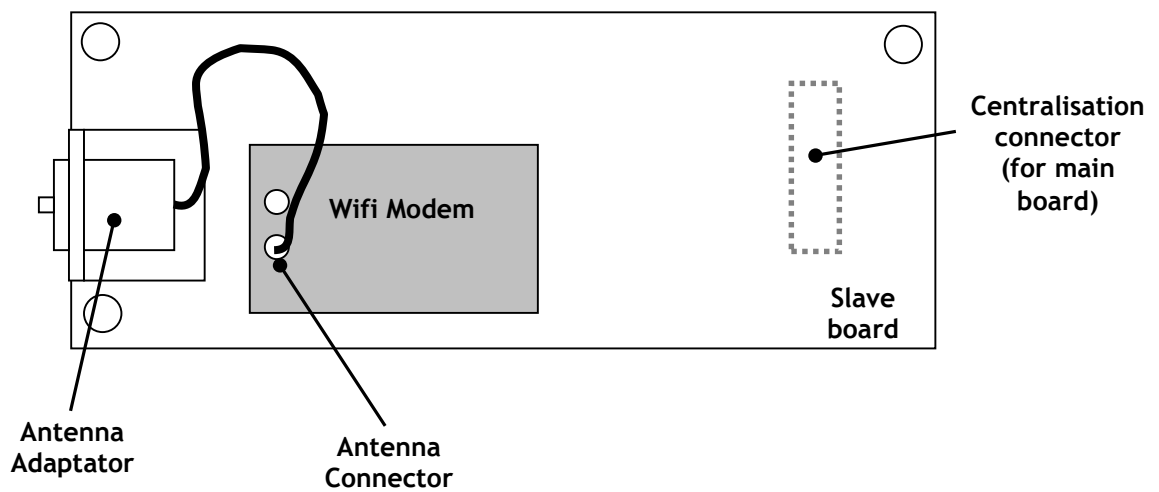
The slave board is connected directly to the main board centralisation connector.



Slave board + modem (top view)



Slave board (bottom view)



## 2.3 Description of functions

### 2.3.1 Installation and initialisation

The slave board and modem are mounted on the main board.  
Make sure the antenna is properly.

#### **Function 80: modem initialisation.**

To initialise the modem, use on-site programming function 80 described below:

1.

<b>MODEM PRESENT</b> <b>YES: 1      NO: 2</b>
--

Enter 1 to start initialising the modem.

#### Modem initialisation:

From that point on, the main board initialises the modem without any more user input. The main board displays progress of the initialisation stage:

2.

<b>PLEASE</b> <b>WAIT</b>
------------------------------

During this stage, the main board powers up the modem.

3.

<b>MODEM</b> <b>INITIALISATION</b>
---------------------------------------

During this stage, the modem sends initialisation.

If the initialisation procedure fails at this point (message "Init. not completed"), that means the slave board is not answering the main board.

If the procedure is completed correctly, the main board moves on to the next stage.

4.

**NETWORK  
REGISTRATION**

During this stage, the main board waits for the modem to register on the Wifi network.

1. If initialisation fails during this stage (message "Init. not completed"), that means that the modem cannot be registered on the Wifi network : check that the antenna is correctly connected to the modem and that the antenna cable is correctly screwed to the antenna adapter.

5.

**INITIALISATION  
COMPLETED**

When the main board displays this message, that means that the modem has been successfully initialised. Initialisation is used to:

- check assembly in the terminal;
- check that the modem is capable of registering with the network.

That is why function 80 should be repeated every time, whenever:

- a new kit is installed;
- the kit is removed from then put back into the terminal;

Once the modem has been initialised, it still needs initialising on the terminal:

- call numbers: server-side IP address (function 44);
- configuring whether or not alarms are sent to the server (function 42).



### Programming Parkfolio<sup>Neo</sup> On-Line numbers (function 44)

This function is used to save the Parkfolio<sup>Neo</sup> On-Line numbers in the memory of the main board.

Numbers 1 to 10 are the server's IP address for Wifi.

#### 2.3.2 Wifi communication

To make a Wifi call, just use function 44 to programme the IP address of the Parkfolio<sup>Neo</sup> On-Line.

In order to make a GPRS call, the terminal needs to know the server's UDP Port number : this is the number of the port used to communicate with Parkfolio<sup>Neo</sup> On-Line. The port number entered while setting up Parkfolio<sup>Neo</sup> On-Line for Wifi communication is to be used here.

#### Function 40: communication test

Function 40 is used to test communication between the terminal and the communication server irrespective of the communication medium (Mobitex, GSM, SMS, GPRS and Wifi).

1. If a GSM Data number is programmed, the main board will try and make a GSM Data call with Parkfolio<sup>Neo</sup> On-Line. If the call succeeds and communication with Parkfolio<sup>Neo</sup> On-Line is satisfactory, the main board displays the message "Communication test OK".
2. If the programmed number is the IP address, the terminal tries to communicate via Wifi with Parkfolio<sup>Neo</sup> On-Line:
  - If the communication is satisfactory, the main board displays "Communication OK";
- If the main board displays "Transmission problem", there may be several reasons for such behaviour:
  1. The IP address of the server is incorrect;
  2. Parkfolio<sup>Neo</sup> On-Line is not receiving data from the terminal (incorrect firewall setup, incorrect router setup etc.);
  3. Parkfolio<sup>Neo</sup> On-Line is not responding (the Parkfolio<sup>Neo</sup> On-Line service is down).

Below is a flowchart showing what action should be taken if there is a problem with function 40 during Wifi configuration:

