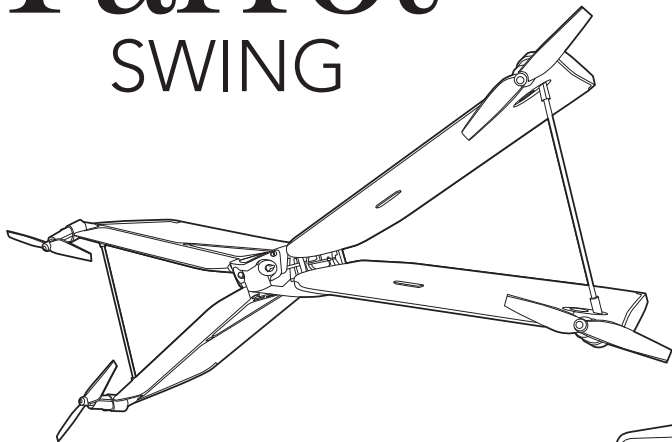


Parrot®

SWING



QUICK START GUIDE

GUIDE D'UTILISATION RAPIDE

GUÍA DE UTILIZACIÓN RÁPIDA

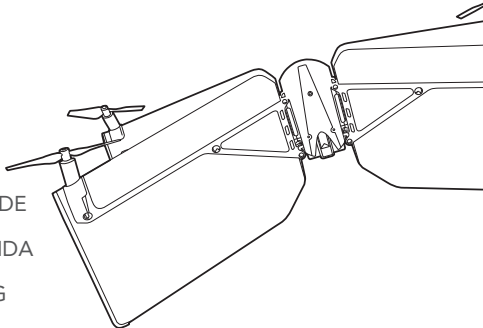
SCHNELLSTART-ANLEITUNG

GUIDA DI RIFERIMENTO RAPIDO

BEKNOPTE GEBRUIKSHANDLEIDING

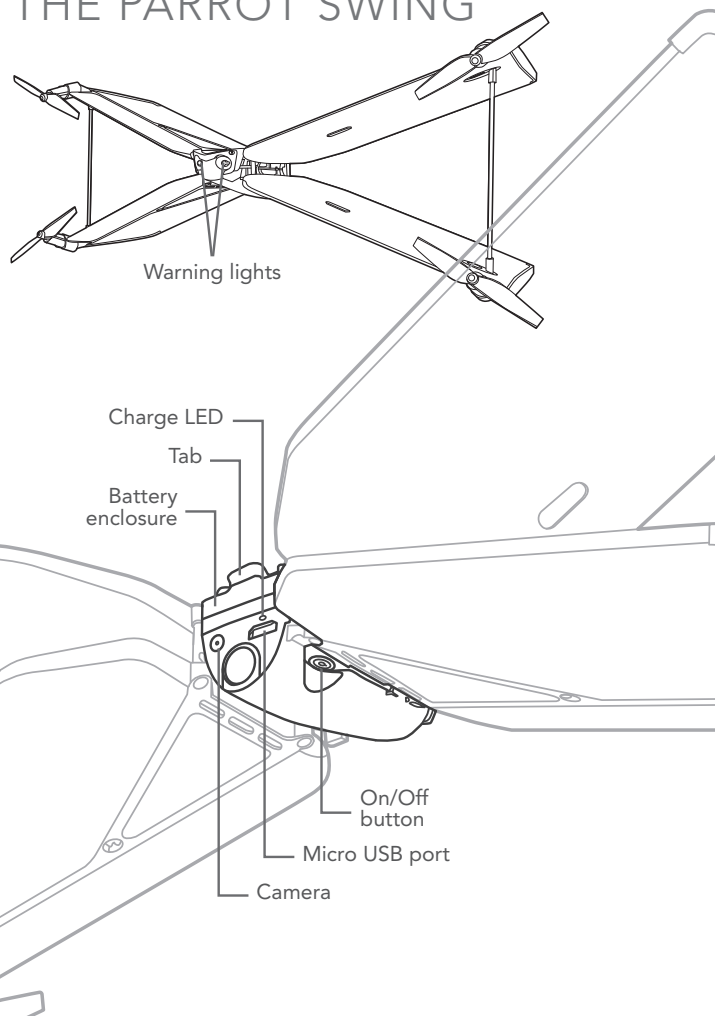
GUIA DE UTILIZAÇÃO RÁPIDA

دليل المستخدم المختصر

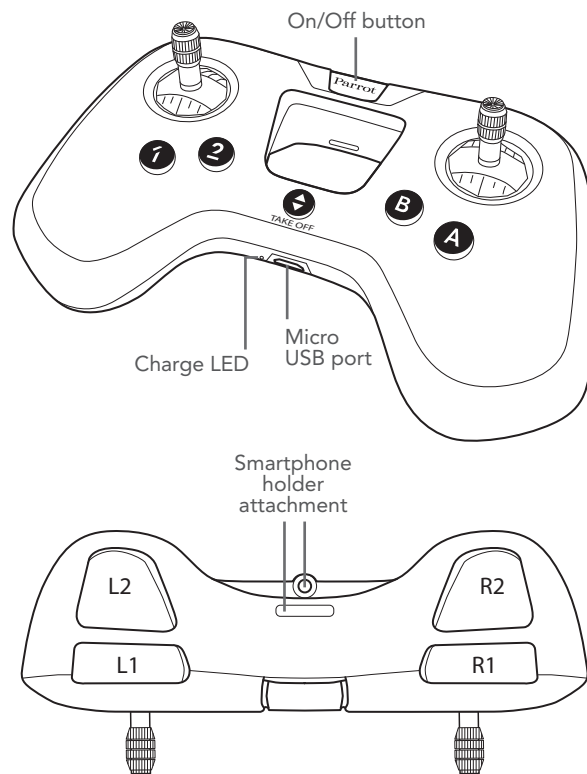


English.....	4
Français	20
Español.....	36
Deutsch	52
Italiano	68
Nederlands.....	84
Português.....	100
العربية.....	116

PRESENTATION OF THE PARROT SWING

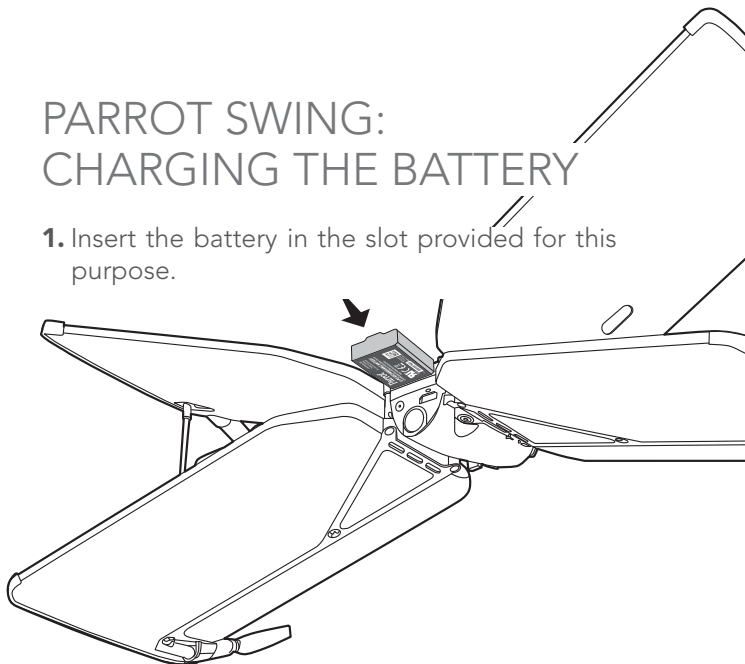


PRESENTATION OF THE PARROT FLYPAD

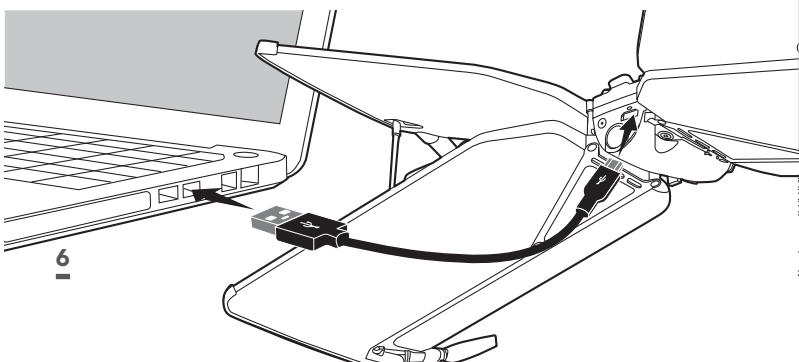


PARROT SWING: CHARGING THE BATTERY

1. Insert the battery in the slot provided for this purpose.



2. With the micro USB cable, connect the Parrot Swing to a computer or a USB power adapter.

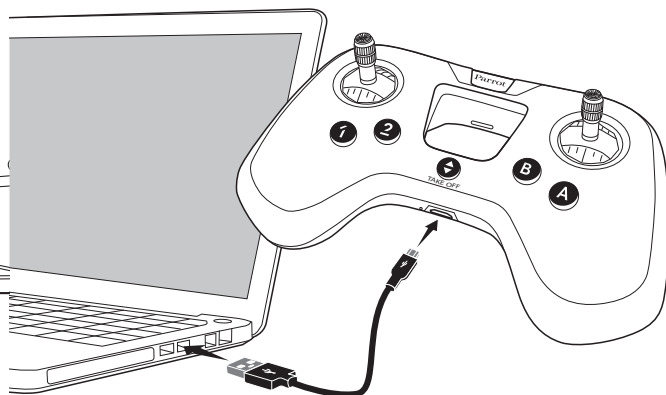


The charge LED is steady red when charging.
The charge time is approximately 30 minutes with a 2.1A charger. Once charging is complete, the charge LED turns green.

To remove the battery, lift the tab and slide the battery backwards.

PARROT FLYPAD: CHARGING THE BATTERY

1. Connect the micro USB cable to the Parrot Flypad's micro USB port.
2. Connect the USB port to a computer or a USB power adapter.
 - > The charge LED turns red to indicate that charging is in progress. Once charging is complete, the LED turns green.



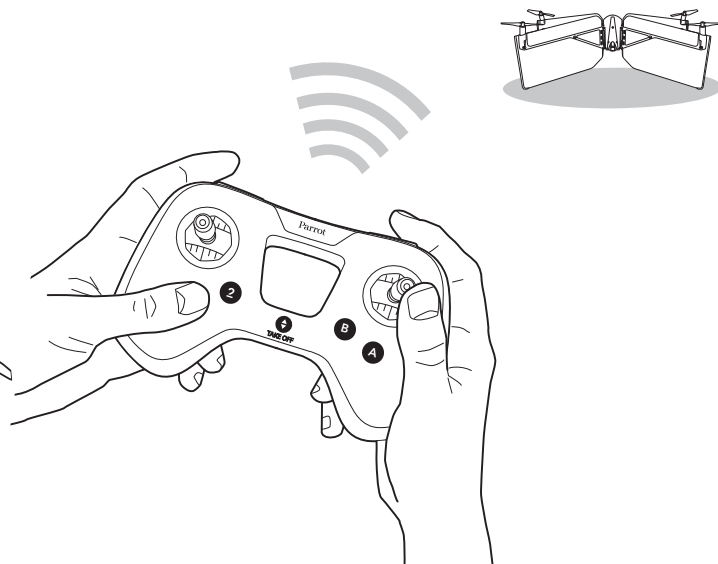
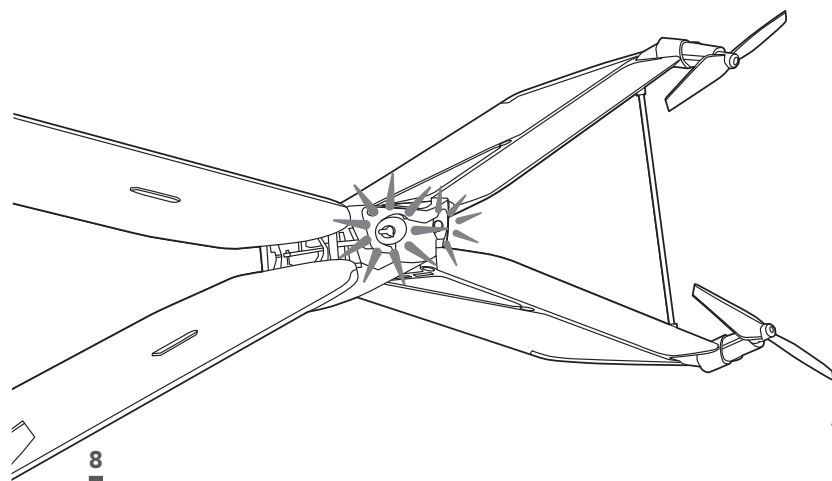
The charge time is approximately 2 hours. Once charged, the Parrot Flypad has a battery life of about 6 hours.

CONNECTING THE PARROT FLYPAD TO THE PARROT SWING

1. Insert the battery in the slot provided for this purpose or press the On/Off button.
 - The Parrot Swing turns on.
2. Place the Parrot Swing on a flat surface with the propellers up.

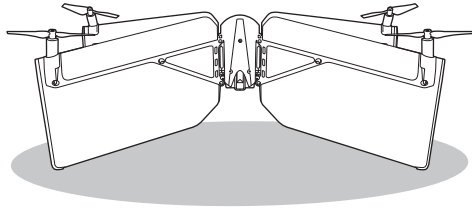
3. Wait until the warning lights turn green.


4. Press the Parrot Flypad's ON/OFF button to turn it on.
 - The Parrot Flypad's warning light flashes green and then becomes a steady green when the connection is established.




TAKING OFF

1. Place the Parrot Swing on a flat surface with the propellers up.



2. Press .
 - > The Parrot Swing takes off and stabilises at 1 meter above the ground waiting for a command.

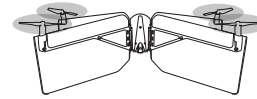
LANDING

- To land the Parrot Swing, press the  button.
- > The Parrot Swing lands.

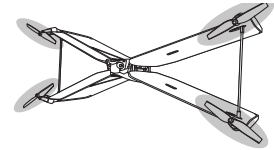
FLYING

You can fly the Parrot Swing in:

Quad mode: 

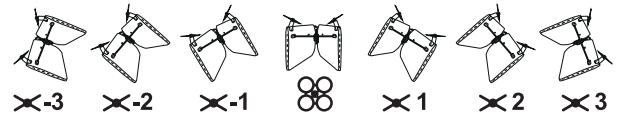


Plane mode: 



Press **R2** for the plane mode on the Parrot Swing's back, or **L2** for the plane mode on the Parrot Swing's front.

While in plane mode, the Parrot Swing has several gears:

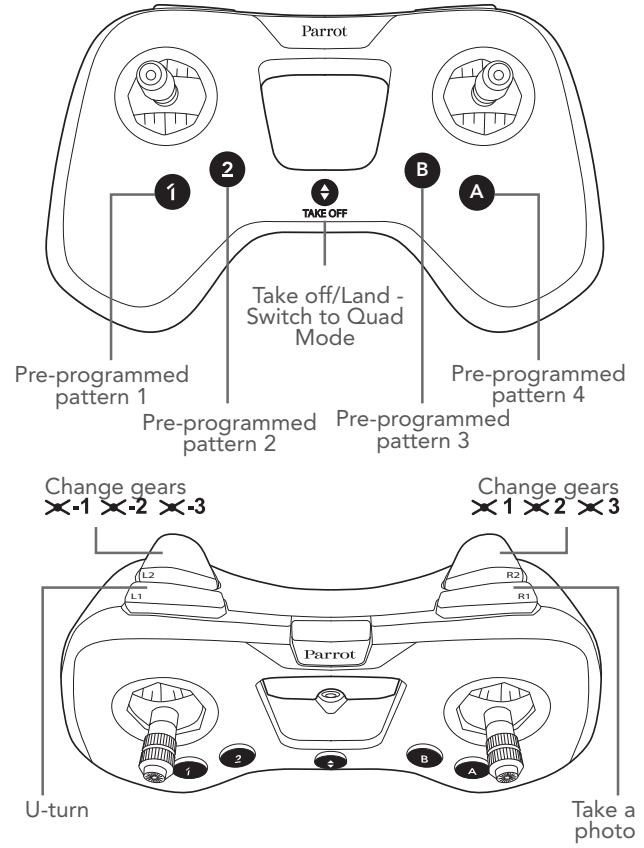
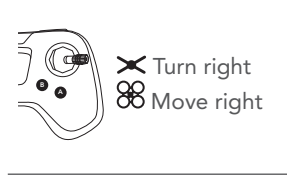
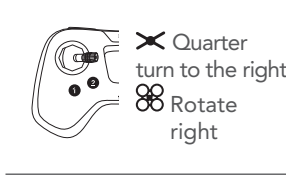
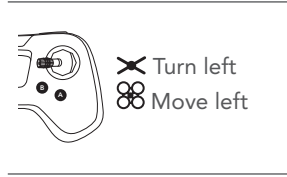
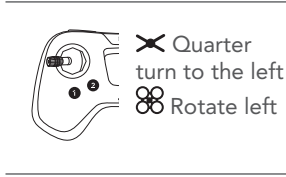
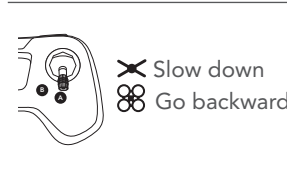
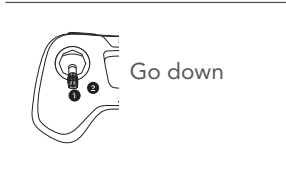
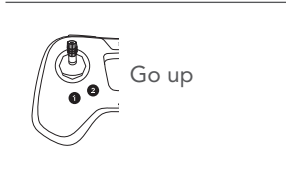


The more parallel to the ground the wings of the Parrot Swing are, the faster the Parrot Swing will go.

For the quad mode, lower the gears or press .

LEFT CONTROL

RIGHT CONTROL



This configuration is the default configuration. Change and customise the Parrot Flypad's commands (see Configuring the buttons).

WARNING LIGHT INDICATIONS

PARROT SWING

Steady orange light	The Parrot Swing is starting up. > Place the Parrot Swing on a flat surface with the propellers up.
Steady green light	The Parrot Swing is ready for use.
Flashing red light	The Parrot Swing's battery is low. > Charge the battery.
Steady red light	The Parrot Swing has detected a problem. > Make sure Bluetooth® is enabled on your smartphone. If the problem persists, visit www.parrot.com.

PARROT FLYPAD

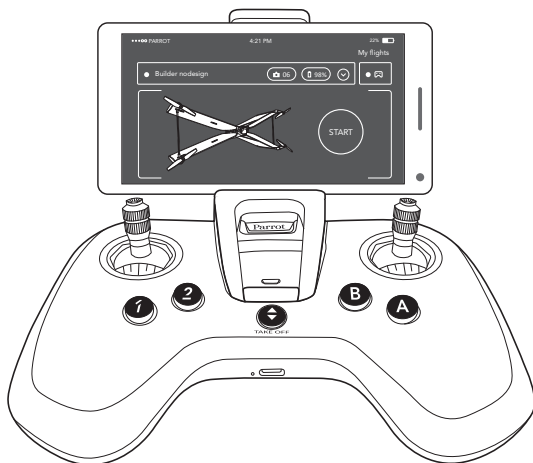
Steady green light	The Parrot Flypad is connected to the Parrot Swing or your smartphone.
Flashing green light	The Parrot Flypad is waiting for a connection.
Flashing red light	The Parrot Flypad is waiting for a connection, but its battery is low. > Charge the Parrot Flypad's battery.
Steady red light	The Parrot Flypad is connected to your smartphone or your Parrot Swing, but its battery is low. > Charge your Parrot Flypad's battery.
Steady red light and the Parrot Flypad is vibrating	The Parrot Flypad is connected to your smartphone or your Parrot Swing, but the Parrot Swing's battery is low. > Charge your Parrot Swing's battery.

FREEFLIGHT MINI

You can configure the settings of your Parrot Swing and your Parrot Flypad.

To do this:

Login to the App Store® or Google Play™ and download the free FreeFlight Mini application.



GENERAL INFORMATION

PRECAUTIONS FOR USE AND MAINTENANCE

The Parrot Flypad is intended to fly the Parrot Swing and is not suitable for children under 14 years of age.

Check the list of drones that are compatible with the Parrot Flypad in the Support section on www.parrot.com.

Only use accessories specified by Parrot Drones SAS.

If sand or dust gets into the Parrot Flypad, it may be irreparably damaged and no longer function correctly.

Do not expose the Parrot Flypad to rain or sun for an extended period.

Do not use this device near liquids.

Risk of ingestion of small objects. The packaging is not part of the product and must be discarded as a safety measure.

PARROT SWING

The Parrot Swing is not suitable for children under 14 years of age.

The Parrot Swing is a model aircraft designed for recreation and leisure. The pilot must, at all times, maintain eye contact with the Parrot Swing and control its trajectory. The Parrot Swing must be used according to the rules of civil aviation in your country. The places where it is used must be suitable for its progression in order to continuously ensure the safety of people, animals and airports. Using the Parrot Swing in some public places (for example: train stations, airports, etc.) or on public roads may not be allowed.

The Parrot Swing's propellers in flight can cause damage to people, animals or objects. Always stay a safe distance away from the Parrot Swing. Do not touch the Parrot Swing in flight. Wait for the propellers to fully stop before handling the Parrot Swing.

Only use accessories specified by Parrot Drones SAS.

If sand or dust gets into the Parrot Swing, it may be irreparably damaged and no longer function properly.

Do not use the Parrot Swing in adverse weather conditions (rain, strong wind or snow) or when visibility is poor (at night).

Keep the Parrot Swing away from high voltage power lines, buildings or any other potentially hazardous areas.

Do not use this device near liquids. Do not place the Parrot Swing on water or on a wet surface as this could cause irreparable damage.

Do not leave the Parrot Swing in the sun.

WARNING REGARDING PRIVACY AND RESPECT FOR IMAGES OF PROPERTY

Recording and broadcasting an individual's image without their permission may constitute an invasion of privacy and you may be held liable. Ask permission before filming people, especially if you intend to keep your recordings and/or broadcast them. Do not broadcast degrading images which may affect an individual's reputation or dignity.

Recording and broadcasting the image of property without permission from its owner and or any third party holding intellectual property rights on the pro-

party may constitute a violation of the property's image rights and you may be held liable. Ask permission from its owner and/or any third party with ownership rights.

HOW TO RECYCLE THIS PRODUCT



This symbol on the product or its documentation indicates that it must not be disposed of with household waste. Uncontrolled waste disposal may harm the environment or human health. Please separate your device from other types of waste to recycle it responsibly. This will help to foster the sustainable re-use of material resources. We invite you to contact your retailer or inquire at your local town hall to find out where and how the Parrot Flypad can be recycled.

WARRANTY

For the warranty conditions, please read the Terms and Conditions of sale of the retailer where you purchased the Parrot Flypad/Parrot Swing.

CONFORMITY DECLARATION (PARROT FLYPAD)

PARROT DRONES, 174 quai de Jemmapes, 75010 Paris, France, hereby declares that it is solely responsible for the compliance of the product described in this user guide with technical standards, EN 301489-17, EN300328, EN71-1, EN71-2, EN71-3, EN62115, EN62321 (1-7), according to the provisions of the R&TTE Directive 1999/5/EC and the General Product Safety Directive 2001/95/EC, the ROHS Directive 2011/65/EU. <http://www.parrot.com/uk/ce/?parrot-flypad>

CONFORMITY DECLARATION (PARROT SWING)

PARROT DRONES, 174 quai de Jemmapes, 75010 Paris, France, hereby declares that it is solely responsible for the compliance of the product described in this user guide with technical standards, EN 301489-17, EN300328, EN71-1, EN71-2, EN62115 according to the provisions of the R&TTE 1999/5/CE and the General Product Safety Directive 2001/95/EC. The statement of compliance is available at the following address: <http://www.parrot.com/uk/ce/?parrot-swing>

DECLARATION OF CONFORMITY IN CANADA & FCC

This device complies with the Industry Canada RSS applicable to license-exempt radio apparatus. Operation is permitted subject to the following two conditions: (1) the device must not produce interference, and (2) the user of the device must accept any radio interference encountered, even if the interference is likely to compromise operations.

TRADEMARKS

Parrot Flypad, Parrot Swing as well as their respective logos are trademarks of Parrot Drones SAS.

Parrot and the Parrot logos are trademarks of Parrot S.A.

App Store is a trademark of Apple Inc.

Google Play is a trademark of Google Inc.

The **Bluetooth**® name and logo are registered trademarks of Bluetooth SIG, Inc.

and any use of these trademarks by Parrot Drones SAS is done under licence. All other trademarks mentioned in this guide are the property of their respective owners.

MANUFACTURER INFORMATION

The Parrot Flypad/Parrot Swing is manufactured by: PARROT DRONES SAS - 174 Quai de Jemmapes - 75010 Paris (France) - Corporate and Trade Register Paris 808 408 074

