

# Hands-free Car Kit

3200 LS-Color  
3400 LS-GPS  
User manual

For Bluetooth  
Mobile Phone

- ENG P.3
- FRA P.13
- ESP P.23
- ITA P.33
- DUT P.43
- DEU P.53
- POR P.63



### Warning

The manufacturer Parrot S.A. and its affiliates should not be held liable towards end users or third parties to prejudice caused by misuse of the product, nor for usage that would be in violation of local traffic regulations and laws.

### Disclaimer

The information in this document is subject to change without notice and does not represent a commitment on the part of vendor. No warranty or representation, either expressed or implied, is made with respect of quality, accuracy or fitness for any particular purpose of this document. The associated with it at any time without obligation to notify any person or organisation of such changes. In no event will the manufacturer be liable for direct, indirect, special, incidental or consequential damages arising out of the use or inability to use this product or documentation, even if advised of the possibility of such damages. This document contains material protected by copyright. All rights are reserved. No part of this manual may be reproduced or transmitted in any form, by any means or for any purpose without express written consent. Product names appearing in this document are mentioned for identification purposes only. All trademarks, product names appearing in this document are registered property of their respective owners.

### FCC Compliance Statement



This device complies with part 15 of the FCC rules. Operation is subject to the following two conditions.

1. This device may not cause harmful interference.
2. This device must accept any interference received, including interference that may cause undesired operation.

### Declaration of Conformity



We, Parrot S.A. of 174 quai de Jemmapes, 75010 Paris, France, declare under our sole responsibility that our product, the Parrot 3200 LS-Color/3400LS-GPS, to which this declaration relates is in conformity with appropriate standards EN300328, EN301489-17, EN 60950 following the provision of Radio Equipment and Telecommunication Equipment directive, with requirements covering EMC directive 89/336/EEC and Low Voltage directive 73/23/EEC.

### Bluetooth®

The Bluetooth® word mark and logos are owned by the Bluetooth® SIG, Inc. and any use of such marks by Parrot S.A. is under license. Other trademarks and trade names are those of their respective owners.

### Correct Disposal of This Product ( Waste Electrical & Electronic Equipment )



(Applicable in the European Union and other European countries with separate collection systems). This marking shown on the product or its literature, indicates that it should not be disposed with other household wastes at the end of its working life. To prevent possible harm to the environment or human health from uncontrolled waste disposal, please separate this from other types of wastes and recycle it responsibly to promote the sustainable reuse of material resources. Household users should contact either the retailer where they purchased this product, or their local government office, for details of where and how they can take this item for environmentally safe recycling. Business users should contact their supplier and the terms and conditions of the purchase contract. This product should not be mixed with other commercial wastes for disposal.

# 3200 LS-COLOR / 3400 LS-GPS

## Directions for use - User guide



English

Português  
Deutsch  
Dutch  
Italiano  
Español  
Français

## INTRODUCTION

The Bluetooth® technology enables voice and data communications via a short-distance radio link. It allows several electronic devices to communicate with each other, particularly telephones and hands-free kits.

Parrot is drawing on its long years of experience in signal processing and voice recognition technology to introduce a hands-free kit offering superior audio quality during calls.

Thank you for buying a Parrot hands-free kit. With the Parrot 3200 LS-Color, you will be able to make telephone calls from your car while keeping your hands on the wheel.

With its colour interface and customisable wallpaper, the Parrot 3200 LS-Color is the most user-friendly hands-free kit. It acts as a real extension of your mobile phone. We hope that the kit will give you complete satisfaction.

## KIT CONTENTS

- Colour LCD screen
- Installation cable
- Electronic control unit
- Directions for use
- Fitting accessories
- Microphone

## FITTING

First of all, choose the place for the colour screen inside your vehicle. We would advise you to fit it in the centre of the dashboard or near you.

Make sure that you can view the screen at a good angle and that it does not obstruct your view of the road. Once the hands-free kit is fully installed and switched on, you can adjust the screen's brightness.

There are two places where you can choose to fit the microphone connection: either directly at the side of the screen or on the cable connected to the bottom of the screen. Place the microphone to the left of the rear-view mirror to ensure optimum audio quality.

The installation cable is equipped with ISO connectors and a line-out jack for connecting directly to your amplifier, if applicable.

### Car stereo with line-in jacks:

Preferably use this type of connection by connecting the brown and white wires (or red and black), along with the yellow mute wire to the back of your car stereo.

### Car stereo with ISO connectors:

Disconnect the car stereo's audio and power leads. Join the female connectors of the kit's cable to the car stereo. Join the vehicle's audio and power supply cables to the male connectors. If the car stereo features a mute jack, connect the yellow wire of the kit's cable to one of the "mute-in" jacks (1, 2 or 3).

### Car stereo without ISO connectors:

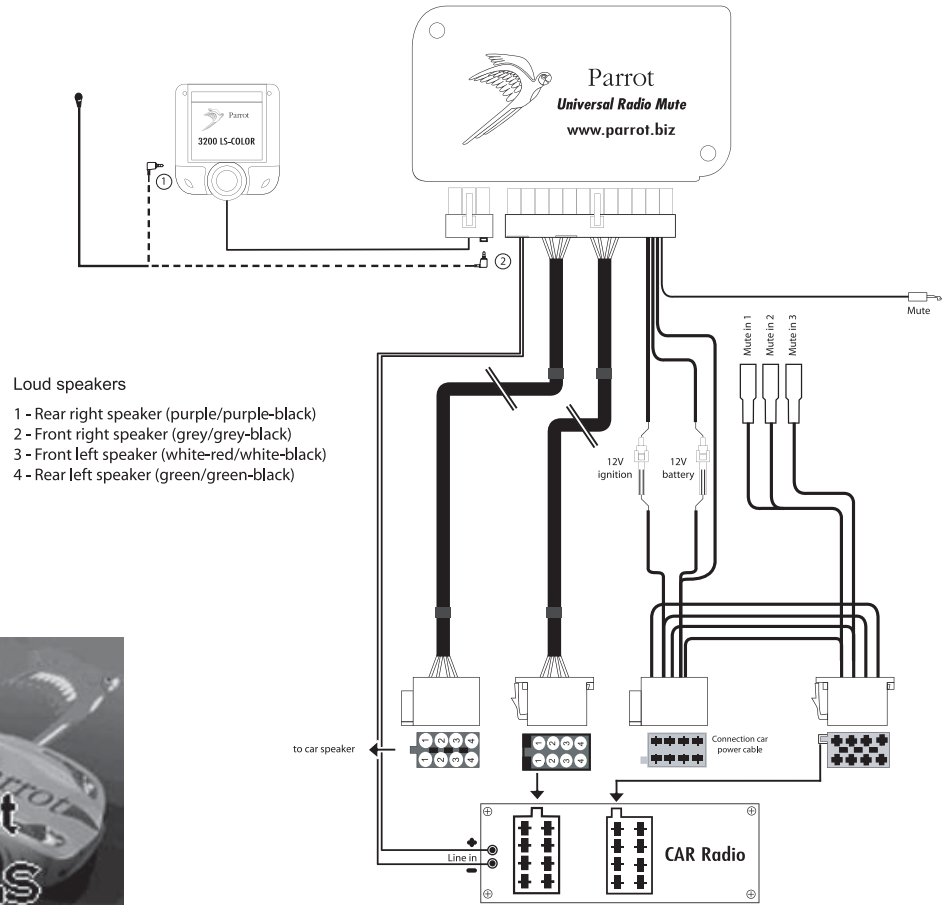
You must purchase an ISO adapter cable.

### Fitting the kit's cable:

- . The red wire of the kit's cable must be connected to the constant 12V supply, the orange wire to the ignition 12V and the black wire to earth.
- . Check the wiring diagram of the car stereo's ISO lead.
  - On some vehicles, the red and orange wires may need to be reversed. This can easily be done by reversing the two fuse holders.
- . Do not connect the orange wire to the constant 12V supply, as you could run down the vehicle's battery.

### Checking the installation:

- . If your 3200 LS-Color is correctly fitted, you should see the message "Goodbye" on the screen when you switch off your car's ignition.
  - Otherwise, the ignition 12V and the constant 12V supply have been reversed. In this case, reverse the two fuse holders on the kit's power supply lead.



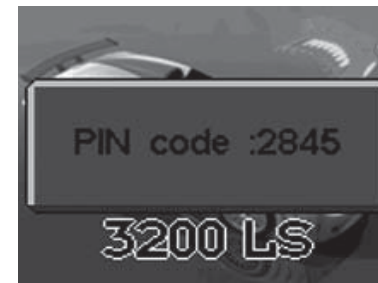
## PAIRING WITH YOUR MOBILE PHONE: Using for the first time

The first time that you switch on the 3200 LS-Color, you must pair your mobile phone with the kit.

- . Enable the Bluetooth mode on your phone.
- . On the hands-free kit, scroll through the menus until you come to Settings Pair with phone..., and select the relevant option for your phone. A 4-digit PIN code then appears on screen. Memorise it.
- . Search for any peripherals: for further information on this procedure, refer to the Bluetooth chapter in your mobile phone's user guide or check out our website at : [www.parrot.biz/guide\\_chm/3200LS\\_COLOR/index.html](http://www.parrot.biz/guide_chm/3200LS_COLOR/index.html)
- . Once the search has finished, "Parrot 3200LS / Parrot 3400LS" is displayed on your phone.
- . Select the kit. Your phone prompts you to enter a code: key in the code shown on the kit screen and confirm on your phone.
- . The kit's screen displays "Pairing".
- . Once the data has been exchanged, "pairing successful" appears on the 3200 LS-Color.
- . The 3200 LS-Color then connects to your phone. Once the connection has been made, the Bluetooth logo is displayed on the screen (except for certain phones using the Headset profile).
- . Some phones offer additional features, such as displaying your phone's

name on the kit's screen, as well as the battery and signal levels and the operator's name.

You can now access the menus and their name is announced by the hands-free kit when you turn the scroll wheel. Press the green button (or the scroll wheel) to access the menus, and press the red button to exit them.



You can now use your hands-free kit to make and receive calls.

- . **Receiving a call:** press the green button to answer the call.
- . **Ending a call:** press the red button.
- . **Redial function:** hold down the green key on the kit for two seconds to redial the last number dialled.
- . **Adjusting the volume:** turn the scroll wheel during a call to adjust the volume.

## FEATURES

The kit's screen displays your mobile phone's main information, in particular your phonebook.

- ♦ Automatic downloading of your phonebook.
- ♦ Display of the caller's name and image.
- ♦ Contacts phoned using the kit's voice recognition feature.
- ♦ Car stereo muting during calls.
- ♦ Call records.
- ♦ Volume adjustment during calls.
- ♦ Dual call management.
- ♦ Automatic redial of the last caller.
- ♦ Wallpaper change.
- ♦ Brightness settings.
- ♦ Ringtone selection.
- ♦ Language setting.
- ♦ DTMF: when you receive a call from your message system, press the scroll wheel so that you can access the digits allowing you to manage your message.

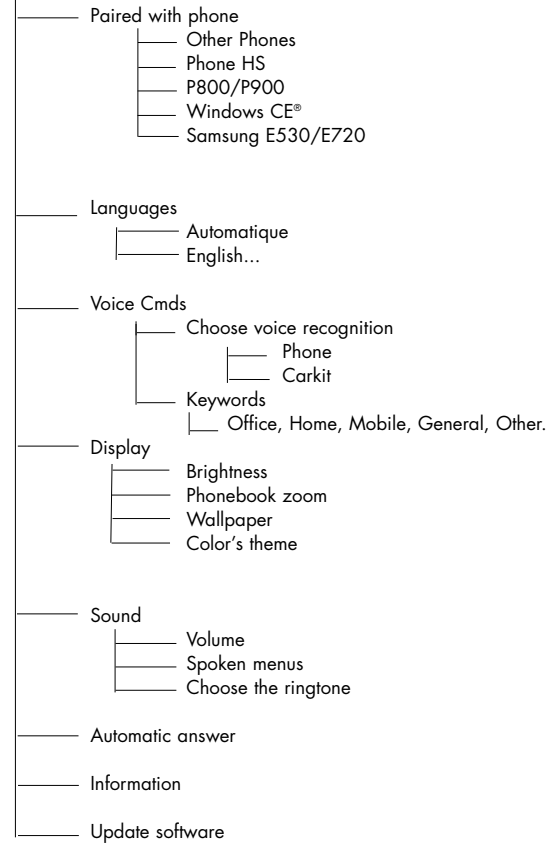
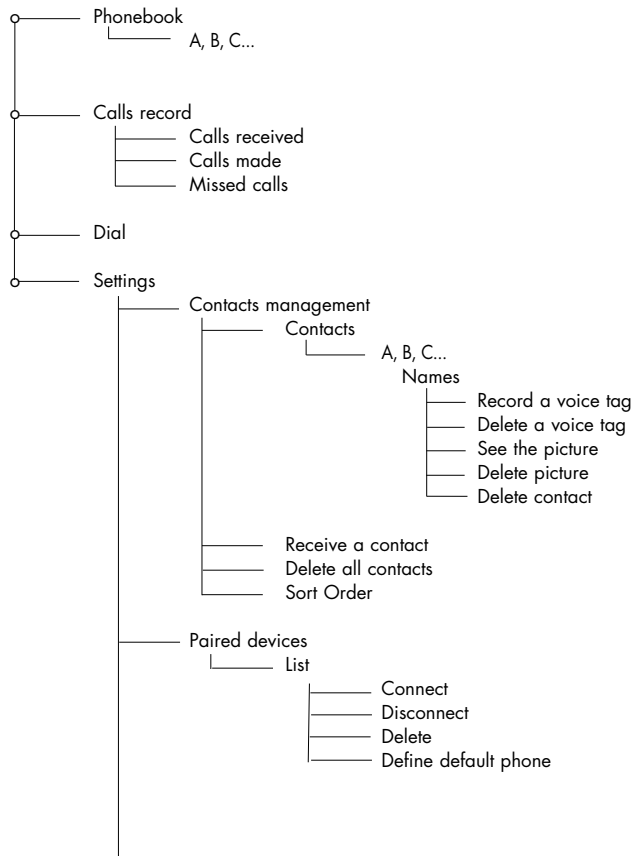


Note: most of these features depend on your phone.

English

Português Deutsch Dutch Italiano Español Français

## MENUS





## ACCESSING THE MENUS

### Phonebook

After pairing your phone with the 3200 LS-Color, synchronisation with your phonebook will begin automatically (\*). Once the synchronisation process is complete, you can access your phonebook from the hands-free kit screen. To access your phonebook and call a contact, turn the scroll wheel to access the menus, then select Phonebook. Scroll through the letters until you reach the first letter of the relevant person's name and confirm. You will then see this person's name and the various phone numbers you have for them.

(\* Depending on the model of your Bluetooth phone. Visit our website at [www.parrot.biz](http://www.parrot.biz) for the latest information on synchronisation.

### Call records

This menu option displays the list of calls and is divided into three sub-menus: Missed calls / Calls received / Calls made.

It is automatically synchronised with your phone's call records (\*) and you can access them to call back a missed call.

- Select the contact from these menus.
- Press the scroll wheel or the green button to call the contact back.

(\* Depending on the model of your Bluetooth phone.

### Dial

Select this menu to dial a number directly via the kit.

- Turn and press the scroll wheel to select a digit.
- The trashcan icon deletes the last digit.
- Once the number has been dialled, press the green button to call.

## PREFERENCES

This menu enables you to fine-tune your 3200 LS-Color for easier use.

### Contact management

This menu enables you to manage contacts in the Parrot 3200 LS-Color. Once you have selected the contact from the list (which you access via the Contact management menu) you can record or delete a voiceprint, view or delete the photo, or delete the contact from the phonebook.

You can also receive a contact with the relevant photo (if supported by the phone) by selecting Receive a contact. Select on your phone the contact you want to send via Bluetooth to the hands-free kit. From then on, whenever this person calls you, his or her photo and name will appear on the kit screen. Refer to your phone's user guide or check out.

[www.parrot.biz/guide\\_CHM/3200LS\\_Color/index.html](http://www.parrot.biz/guide_CHM/3200LS_Color/index.html).

You can also delete all the contacts in the kit or reverse the sort order from surname-first name to first name-surname



## VOICE RECOGNITION

### Select voice recognition

The voice recognition capability featured by the 3200 LS-Color is more extensive and robust than that boasted by mobile phones, and can work in noisy surroundings.

- **Car kit reco:** the selected voiceprints are those recorded in the memory of the hands-free kit.
- **Phone reco:** the selected voiceprints are those recorded in the memory of the phone.

### Keywords

Recording keywords enables you to phone without taking your hands off the wheel. You can control the whole call with your voice.

Keywords: Home, Work, Mobile, General, Other.

Keywords are used to select the required phone number when several different numbers are associated with the same contact. All keywords must be recorded, so that they can be validated.

Once the keywords have been recorded, you need to say the following sequence of words to be able to make a call using the voice recognition feature.

Press the green button and after the beep, say: "John Smith... (beep)...Work...". And this will put you in touch with John Smith using the phone number classified as his work number.

### Paired devices

The 3200 LS-Color lets you pair up to five Bluetooth phones, but bearing in mind that only one can be connected at any one time.

The Paired devices menu allows you to connect, disconnect or delete a phone from the kit's memory.

From the Define default phone menu option, you can control the priority level given to the Bluetooth phone during connections with several phones in the car.

### Caution:

Deleting a paired phone will clear any voiceprints attributed to the contacts on that phone.

### Pair phone

Before pairing your Bluetooth phone, you must enable the mode corresponding to your Bluetooth phone.

The different modes are as follows:

- Other phones
- Headset phones
- P800-P900
- Windows CE
- Sony-Ericsson K600, W800, K750
- Samsung E530, E720,
- Samsung D500, Sagem My-X8
- Motorola iDEN 605
- Samsung Z140, Z300, Z500

Once the relevant mode has been selected, a (random) 4-digit code appears. Start searching for Bluetooth peripherals from your phone. Once you have found the hands-free kit, select it and enter this code.

Note: for greater compatibility with phones, new pairing modes are likely to be added to future versions.

## Language

Select the language for displaying the menus on your 3200 LS-Color.

## Display

Five options are available for customising the way in which information is displayed:

- **Brightness :** use the scroll wheel to obtain the required level and confirm by clicking the scroll wheel.
- **Phonebook zoom:** used to display the Phonebook menu over 3 or 4 lines.
- **Wallpaper:** allows you to select a wallpaper image.
- **Theme:** allows you to select a color theme.

## Sounds

- **Volume:** use the scroll wheel to control the volume level of the call and the microphones' sensitivity.
- **Speaking menus:** adjust the volume of the hands-free kit's prompts to the required level.
- **Ringtone selection:** for phones that do not play a specific ringtone for incoming calls, select the ringtone that you wish to hear when you receive a call.

## Automatic answer

Enable this mode if you want the 3200 LS-Color to automatically answer any incoming calls.

## Information

This menu provides information on the version of the built-in software.

## UPDATE

You can update the software version of your 3200 LS-Color by Bluetooth. Enable this mode before updating. The update is performed by Bluetooth from a computer equipped with Bluetooth.

Updating provides access to new features and improves compatibility with the advanced functions on an even wider range of phones. For further information, visit our website: [www.parrot.biz](http://www.parrot.biz).

## PARROT 3400 LS-GPS

The Parrot 3400 LS-GPS kit features a built-in GPS module (Global Positioning System) providing real-time information on the vehicle's current position. This information is available by Bluetooth over a channel that can be accessed by most PDAs and smartphones equipped with navigation software.

## Procedure for connecting to the GPS service

If a navigation application is installed on your PDA or smartphone, simply pair your device with the Parrot 3400 and establish a Bluetooth serial connection with the GPS port (the number of the outgoing serial port to be used will depend on your PDA or smartphone).

The configuration to be chosen on your device is NMEA 0183v2 9600 if prompted by your navigation software.

### **Several statuses may be encountered:**

- Status 1: no GPS connected - No fix (satellite icon greyed out)
- Status 2: no GPS connected - Fix (satellite icon coloured)
- Status 3: GPS connected - No fix (satellite icon greyed out, with a transmission symbol)
- Status 4: GPS connected - Fix (satellite icon coloured, with a transmission symbol)

**Note:** the fix indicates that the satellite data received by the hands-free kit is valid.

### **Procedure for connecting to the GPS service:**

#### **1.If you are already connected via Bluetooth to your phone:**

- ♦ Disconnect your phone (hold down the red button on the hands-free kit for two seconds). The hands-free kit then changes to status 1 or 2 (if the fix is established).
- ♦ From your navigation software (installed on your PDA or smartphone), connect to the GPS service of the 3400 LS-GPS. The hands-free kit then changes to status 3 or 4.
- ♦ Once connected, a transmission symbol appears beneath the satellite. If the satellite icon is coloured, the fix is established (hands-free kit in status 4). The distance travelled will then be displayed in the top-right corner of the screen.
- ♦ Once the GPS connection is established, the kit automatically reconnects to your phone's telephony service.

#### **2.If you are not already connected via Bluetooth to your phone:**

- ♦ From your navigation software (installed on your PDA or smartphone),

connect to the GPS service of the 3400 LS-GPS. The hands-free kit then changes to status 3 or 4.

- ♦ Once connected, a transmission symbol appears beneath the satellite. If the satellite icon is coloured, the fix is established (hands-free kit in status 4). The distance travelled will then be displayed in the top-right corner of the screen.
- ♦ You can now pair/connect your phone.

### **Voice indications for navigation**

Once the GPS service is connected, you can listen to the voice instructions via your vehicle's speakers. Navigation will then be plain sailing (this feature is only available on certain types of PDA and smartphone, and may also depend on the software).

To enable voice indications, simply open the Headset service available on the hands-free kit from your PDA or smartphone.

When you are connected to the hands-free kit's GPS service, incoming and outgoing calls are managed automatically to ensure that use of the telephony service is made as easy as possible.

### **GPS menu**

In this section, you can completely disable the GPS service to prevent anyone else from connecting to this service.

You will also find menus for customising the display when connected to the GPS: number of satellites, distance (kilometres or miles), and much more.

**Note:** if your vehicle is fitted with an athermic windscreen, the GPS signal received might be of poor quality, in which case, you can add an external aerial that plugs into the back of the screen. To acquire such an aerial, contact your dealer.



## HOTLINE

Our hotline is at your disposal. You can contact the hotline by email or telephone. Open from Monday to Friday between 9 am and 6 pm (GMT+1).

Check out our website ([www.parrot.biz](http://www.parrot.biz)) for further information.



## NOTES

English

Português Deutsch Dutch Italiano Español Français

# 3200 LS-COLOR / 3400 LS-GPS

## Notice d'utilisation - Guide d'utilisateur



English

**Français**

Español

Italiano

Dutch

Deutsch

Português

## INTRODUCTION

La technologie Bluetooth® permet d'établir des communications voix et données via une liaison radio courte distance.

Elle permet à de nombreux équipements électroniques de communiquer entre eux, notamment les téléphones et les kits mains-libres.

Parrot tire bénéfice des ses longues années d'expérience en traitement du signal et reconnaissance vocale pour introduire un kit mains-libres avec une qualité audio supérieure lors des communications.

Merci d'avoir acheté un kit mains-libres Parrot. Avec le Parrot 3200 LS-Color vous allez pouvoir passer des appels téléphoniques depuis votre voiture en gardant les mains sur le volant.

Avec son interface couleur et son fond d'écran personnalisable, le Parrot 3200 LS-Color est le kit mains-libres le plus agréable à utiliser.

Il fonctionne comme une véritable extension de votre téléphone portable.

Nous espérons qu'il vous donnera entière satisfaction

## CONTENU DE L'EMBALLAGE

- Ecran LCD couleur.
- Câble d'installation.
- Boîtier électronique.
- Notice d'utilisation.
- Supports de fixation.
- Microphone.

## INSTALLATION

Choisissez d'abord l'emplacement de l'écran couleur dans l'habitacle de votre véhicule. Nous vous conseillons de le positionner au centre de votre tableau de bord ou proche de vous.

Assurez-vous d'avoir un bon angle de vue sur l'écran et que celui-ci ne gêne pas votre vision de la route. Une fois le kit mains-libres complètement installé et mis en service vous pourrez régler la luminosité de l'écran. La prise du micro s'installe à deux endroits au choix. Directement sur le côté de l'écran, ou sur le câble connecté sur le dessous de l'écran. Le micro se positionne sur la gauche du rétroviseur pour une meilleure qualité audio.

Le câble d'installation est équipé de connecteurs " ISO ", ainsi qu'une sortie " line out " pour se connecter directement sur l'amplificateur si vous en avez un.

### **Autoradio avec entrées " line in " :**

Utilisez de préférence ce type de connexion en reliant les fils marron et blanc (ou rouge et noir) ainsi que le fil jaune du Mute à l'arrière de votre autoradio.

### **Autoradio avec connecteur " ISO " :**

Déconnectez les faisceaux audio et alimentation de votre autoradio. Reliez les connecteurs femelles du câble du kit à l'autoradio. Reliez les faisceaux audio et alimentation du véhicule aux connecteurs mâles.

Si l'autoradio est équipé d'une entrée Mute, reliez le fil jaune du câble du kit à l'une des entrées Mute 1, 2 ou 3.

### **Autoradio sans connecteurs " ISO " :**

Vous devez vous procurer un câble adaptateur " ISO ".

### **Installation du câble du kit :**

- . Le fil rouge du câble du kit doit être relié au +12V permanent, le fil orange au 12V après-contact et le fil noir à la masse.
- . Vérifiez le schéma électrique du faisceau " ISO " de l'autoradio. Sur certains véhicules, il est nécessaire d'inverser les fils rouge et orange. Cette opération s'effectue simplement en inversant les deux portes fusibles.
- . Ne connecter pas le fil orange au 12V permanent, vous risqueriez de décharger la batterie du véhicule.

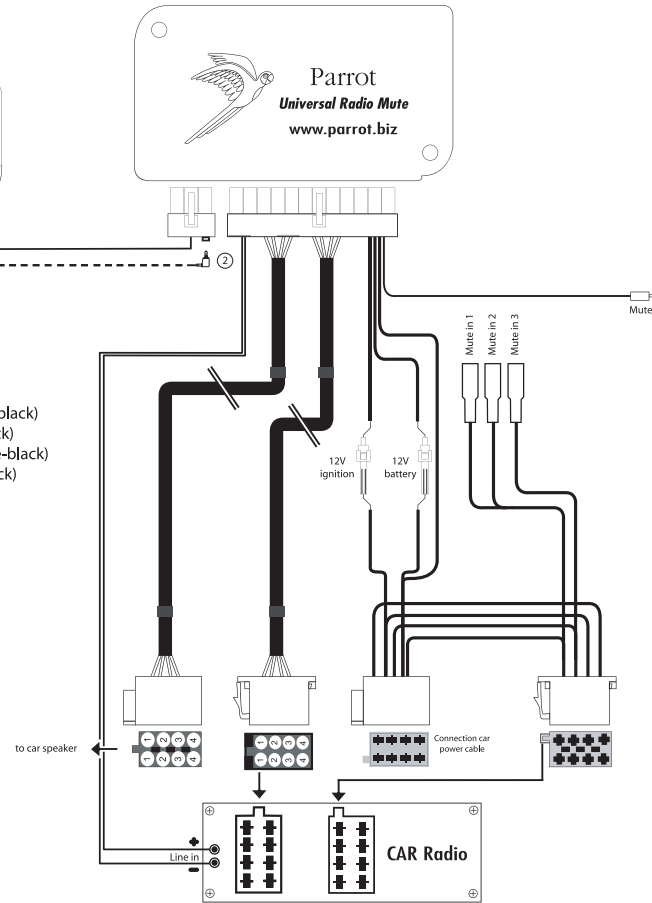
### **Vérification de l'installation :**

- . Si votre 3200 LS-Color est bien installé, vous devez voir le message " au revoir " sur l'écran lors que vous coupez le contact de votre voiture. Sinon, c'est que le 12V clé et le 12V permanent sont inversés. Dans ce cas là, veuillez inverser les deux portes fusibles du câble d'alimentation du kit.



Loud speakers

- 1 - Rear right speaker (purple/purple-black)
- 2 - Front right speaker (grey/grey-black)
- 3 - Front left speaker (white-red/white-black)
- 4 - Rear left speaker (green/green-black)





## JUMELAGE AVEC VOTRE TELEPHONE

### Première utilisation

Lors de la première mise sous tension du 3200 LS-Color, vous devez jumeler votre téléphone avec le kit.

- . Activez Bluetooth sur votre téléphone.
- . Sur le kit mains-libres, naviguez dans les menus jusqu'à : Préférences, Jumeler téléphone..., et sélectionnez l'option correspondante à votre téléphone. Un PIN code de 4 chiffres est alors affiché à l'écran. Mémorisez-le.
- . Lancez une recherche de périphériques :  
Pour plus d'informations sur cette opération, veuillez vous référer à la notice de votre téléphone (chapitre Bluetooth) ou rendez-vous sur notre site Web à :  
[www.parrot.biz/rubrique guides utilisateurs](http://www.parrot.biz/rubrique_guides_utilisateurs).
- . Une fois la recherche terminée, "Parrot 3200LS / Parrot 3400LS " s'affiche sur votre téléphone.
- . Sélectionnez le kit, votre téléphone vous demande d'entrer un code : tapez le code affiché sur l'écran du kit, et validez sur votre téléphone.
- . " Jumelage en cours " s'affiche sur l'écran du kit.
- . Une fois les données échangées, " jumelage terminé " s'affiche sur le 3200 LS-Color.
- . Le 3200 LS-Color se connecte alors avec votre téléphone.  
Une fois la connexion établie, le logo Bluetooth s'affiche sur l'écran (excepté pour certains téléphones utilisant le profil Headset).

. Certains téléphones offrent des fonctionnalités supplémentaires, telles que l'affichage du nom de votre téléphone sur l'écran du kit, affichage également des niveaux de réseau et de batterie ainsi que du nom de votre opérateur.

Les menus sont accessibles et leur nom est énoncé par le kit mains-libres lorsque vous faites tourner la molette. Entrez dans les menus en appuyant sur le bouton vert (ou la molette). Pour en sortir, appuyez sur le bouton rouge.



Vous pouvez maintenant utiliser votre kit mains-libres pour communiquer

- . **Recevoir un appel** : appuyez sur le bouton vert pour décrocher l'appel.
- . **Raccrocher un appel** : appuyez sur le bouton rouge.
- . **Fonction Bis** : appuyez deux secondes sur le bouton vert du kit pour rappeler le dernier numéro composé.
- . **Réglage volume** : tournez la molette pendant une communication pour régler le volume.

## FONCTIONNALITES

Sur l'écran du kit, vous retrouvez les principales informations de votre téléphone, notamment votre répertoire.

- ♦ Téléchargement automatique de votre répertoire téléphonique.
- ♦ Affichage du nom et de l'image de l'appelant.
- ♦ Appel de contacts en utilisant la reconnaissance vocale du kit.
- ♦ Coupure de l'autoradio pendant la communication.
- ♦ Journal d'appel.
- ♦ Réglage du volume en communication.
- ♦ Gestion du double appel.
- ♦ Rappel automatique du dernier correspondant.
- ♦ Changement du fond d'écran.
- ♦ Réglage de la luminosité.
- ♦ Sélection de la sonnerie.
- ♦ Réglage de la langue.
- ♦ DTMF : lors d'un appel de votre messagerie, appuyez sur la molette afin d'avoir accès aux chiffres permettant de gérer vos messages.



Note : Certaines de ces fonctionnalités dépendent de votre téléphone.

English

Français

Español

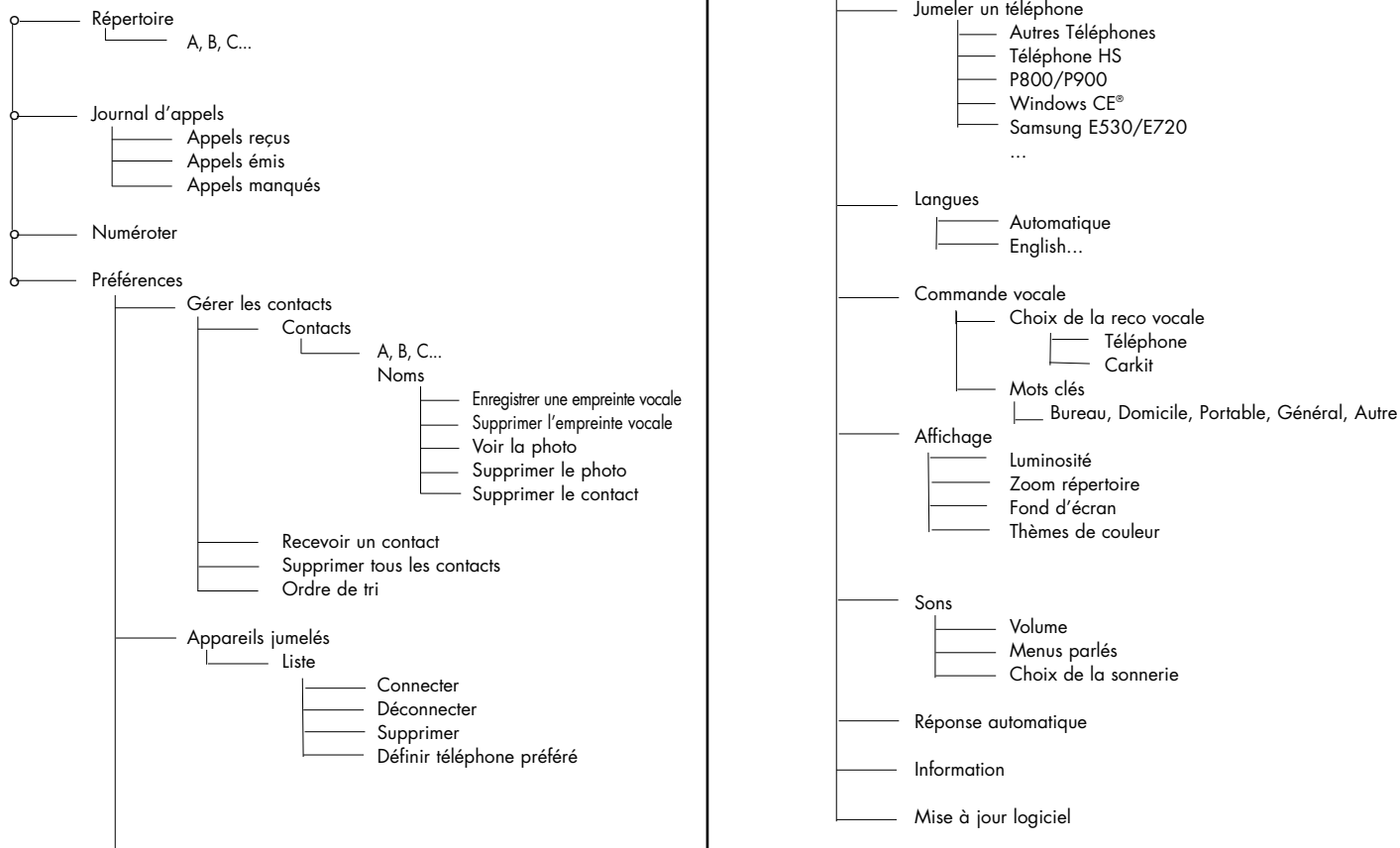
Italiano

Dutch

Deutsch

Português

## MENUS



## ACCES AUX MENUS

### Répertoire

Après vous être jumelé avec le 3200 LS-Color, la synchronisation de votre répertoire débute automatiquement (\*). A la fin de celle-ci (synchronisation terminée), le répertoire de votre téléphone est accessible depuis l'écran du kit mains-libres. Pour y accéder et appeler un correspondant, tournez la molette pour accéder aux menus, puis sélectionnez Répertoire. Faites défiler les lettres jusqu'à atteindre la première lettre du nom de cette personne et validez. Vous y verrez le nom, les différents numéros de téléphone de cette personne. Ensuite, sélectionnez le numéro de téléphone à appeler.

(\*) Dépend du modèle de votre téléphone Bluetooth. Voir notre site internet [www.pparrot.biz](http://www.pparrot.biz) pour les dernières informations sur la synchronisation.

### Journal d'appels

Cette rubrique affiche la liste des appels et se divise en trois sous-menus : Appels manqués / Appels reçus / Appels émis. Il se synchronise automatiquement avec celui de votre téléphone (\*), et vous pouvez y accéder pour rappeler un correspondant dont vous avez manqué l'appel.

- Sélectionner le contact depuis ces menus.
- Appuyez sur la molette ou le bouton vert pour le rappeler.

(\*) Dépend du modèle de votre téléphone Bluetooth.

### Numéroter

Sélectionnez ce menu pour composer un numéro directement depuis le kit.

- Tournez et appuyez sur la molette pour sélectionner un chiffre.
- La lettre C efface le dernier chiffre.
- Une fois le numéro composé, appuyez sur vert pour appeler.

## PREFERENCES

Ce menu vous permet d'utiliser plus confortablement votre 3200 LS-Color.

### Gérer les contacts

Ce menu vous permet de gérer les contacts du Parrot 3200 LS-Color. Une fois le contact sélectionné dans la liste (accédez au menu Gérer les Contacts), vous pourrez enregistrer ou supprimer une empreinte vocale, voir ou effacer la photo, ou supprimer ce contact du répertoire.

Pour recevoir un contact avec la photo associée (si supportée par le téléphone), sélectionnez Recevoir un Contact. Depuis votre téléphone, choisissez le contact à envoyer par Bluetooth vers le kit mains-libres. Dorénavant, quand cette personne vous appellera, sa photo et son nom apparaîtront sur l'écran du kit. Vous pourrez aussi inverser l'ordre de tri: nom-prénom vers prénom-nom.

Référez-vous au manuel d'utilisation de votre téléphone, ou rendez-vous à [www.pparrot.biz/guide\\_CHM/3200LS Color/index.html](http://www.pparrot.biz/guide_CHM/3200LS%20Color/index.html).



## RECONNAISSANCE VOCALE

### Choix de la reconnaissance vocale

La reconnaissance vocale du 3200 LS-Color est plus complète et robuste que celle des téléphones, et fonctionne en environnement bruyant.

- **Reco carkit** : les empreintes vocales sélectionnées sont celles enregistrées dans la mémoire du kit mains libres.
- **Reco téléphone** : les empreintes vocales sélectionnées sont celles enregistrées dans la mémoire du téléphone.

### Mots clés

L'enregistrement de ces mots clés vous permet de téléphoner tout en gardant en permanence vos mains sur le volant.

Vous pouvez contrôler toute la communication avec votre voix.

Mots clés : Domicile, Bureau, Portable, Général, Autre.

Les mots clés permettent de sélectionner le numéro de téléphone désiré lorsqu'un contact en comprend plusieurs.

Tous les mots clés doivent être enregistrés pour qu'ils soient validés.

Une fois les mots clés enregistrés, vous devez faire la séquence suivante pour passer un appel en utilisant la reconnaissance vocale :

Appuyez sur le bouton vert, et après le bip, dites : "Nicolas...(bip)...Bureau... ". Et vous appelez Nicolas sur le numéro de téléphone attribué au Bureau.

### Appareils jumelés

Le 3200 LS-Color vous permet de jumeler jusqu'à 5 téléphones Bluetooth, sachant qu'un seul peut être connecté lors d'une session.

Le menu Appareils jumelés vous permet de connecter, déconnecter ou supprimer un

téléphone de la mémoire du kit.

Depuis Définir téléphone préféré, vous pouvez contrôler la priorité donnée au téléphone Bluetooth lors des connections avec plusieurs téléphones présents dans la voiture.

#### Attention :

Lors de la suppression d'un jumelage, vous perdrez toutes les empreintes vocales qui sont attribuées aux contacts de ce téléphone.

### Appairer un téléphone

Avant d'appairer votre téléphone Bluetooth, vous devez activer le mode correspondant à votre téléphone Bluetooth.

Les différents modes sont :

- Autre téléphone
- Téléphones Headset
- P800-P900
- Windows CE
- Sony-Ericsson K600, W800, K750
- Samsung E530, E720,
- Samsung D500, Sagem My-X8
- Motorola iDEN 605
- Samsung Z140, Z300, Z500

Une fois le mode sélectionné, un code de 4 chiffres (aléatoire) s'affiche. Lancez la recherche de périphériques Bluetooth depuis votre téléphone. Une fois le kit mains-libres trouvé, sélectionnez-le et entrez ce code.

Note : Pour une plus grande compatibilité avec les téléphones, de nouveaux modes d'appairage sont susceptibles d'être ajoutés dans les futures versions.

### **Langue**

Sélectionnez la langue d'affichage des menus de votre 3200 LS-Color.

### **Affichage**

5 rubriques vous permettent de personnaliser l'affichage des informations :

- **Luminosité** : Utilisez la molette pour obtenir le niveau souhaité et validez en cliquant sur la molette.
- **Zoom Répertoire** : Permet l'affichage sur 3 ou 4 lignes dans le menu Répertoire.
- **Fond d'écran** : Vous permet de sélectionner une image en fond d'écran.
- **Thème** : Correspond à la sélection d'un thème de couleur.

### **Sons**

- **Volumes** : Utilisez la molette pour contrôler le niveau de volume de la communication, et le niveau de sensibilité des micros.
- **Menus parlés** : Ajustez le volume des prompts du kit mains libres au niveau voulu.
- **Choix de la sonnerie** : Pour les téléphones ne jouant pas leur sonnerie sur un appel entrant, sélectionnez la sonnerie que vous voulez entendre lors qu'un correspondant vous appelle.

### **Réponse automatique**

Activez ce mode si vous voulez que le 3200 LS-Color décroche automatiquement les appels entrants.

### **Information**

Ce menu permet de consulter les informations relatives à la version logicielle embarquée.

## **MISE A JOUR**

Vous pouvez mettre à jour la version logicielle de votre 3200 LS-Color par Bluetooth. Activez ce mode avant la mise à jour.

Celle-ci s'effectue par Bluetooth depuis un ordinateur équipé de Bluetooth. La mise à jour permet de nouvelles fonctionnalités, et d'améliorer la compatibilité avec les fonctions avancées d'un plus grand nombre de téléphones. Rendez-vous sur notre site web pour plus d'informations : [www.parrot.biz](http://www.parrot.biz)

## **PARROT 3400 LS-GPS**

Le kit Parrot 3400 LS-GPS embarque un module GPS (Global Positioning System) donnant accès à la position instantanée du véhicule. Cette information est disponible par Bluetooth sur un canal accessible par la plupart des PDA et des Smartphones, si ceux-ci sont équipés d'un logiciel de navigation.

## **Procédure de connexion au service GPS**

Si vous disposez d'une application de navigation sur votre PDA ou votre Smartphone, il vous suffit de jumeler ce périphérique avec le Parrot 3400, et d'ouvrir une connexion série Bluetooth vers le port GPS (le numéro du port série sortant à utiliser dépend de votre PDA ou Smartphone). Sur votre appareil la configuration à choisir est NMEA 0183v2 9600, si votre logiciel de navigation vous demande cette information.

### **Plusieurs états sont possibles :**

- Etat 1 : Non-connecté GPS - Pas de fix (icône satellite grisée).
- Etat 2 : Non-connecté GPS - Le fix est fait (icône satellite colorée).
- Etat 3 : Connecté GPS - Pas de fix (icône satellite grisée, avec un symbole d'émission).
- Etat 4 : Connecté GPS - Le fix est fait (icône satellite colorée, avec un symbole d'émission).

Note : le fix indique que les données satellite reçues par le kit mains libres sont valides.

English

Français

Italiano

Español

Dutch

Deutsch

Português

## **Procédure de connexion au service GPS :**

### **1. Si vous êtes déjà connecté Bluetooth avec votre téléphone :**

- ♦ Déconnectez votre téléphone (appuyez 2 sec sur le bouton rouge du kit mains-libres). Le kit mains libres se trouve alors dans l'état 1 ou 2 (si le fix est réalisé).
- ♦ Depuis votre logiciel de navigation (installé sur votre PDA ou Smartphone), connectez-vous au service GPS du 3400 LS-GPS. Le kit mains libres se trouve alors dans l'état 3 ou 4.
- ♦ Une fois connecté, un symbole d'émission apparaîtra sous le satellite. Si le satellite est coloré, le fix est établi (kit mains libres dans l'état 4). Vous aurez aussi la distance parcourue qui s'affiche dans le coin supérieur droit de l'écran.
- ♦ Une fois la connexion GPS établie, le kit se reconnecte automatiquement au service téléphonie de votre téléphone.

### **2. Si vous n'êtes pas connecté Bluetooth avec votre téléphone :**

- ♦ Depuis votre logiciel de navigation (installé sur votre PDA ou Smartphone), connectez-vous au service GPS du 3400 LS-GPS. Le kit mains libres se trouve alors dans l'état 3 ou 4.
- ♦ Une fois connecté, un symbole d'émission apparaîtra sous le satellite. Si le satellite est coloré, le fix est établi (kit mains libres dans l'état 4). Vous aurez aussi la distance parcourue qui s'affiche dans le coin supérieur droit de l'écran.
- ♦ Vous pouvez maintenant appairer/connecter votre téléphone.

## **Indications vocales de votre navigation**

Une fois le service GPS connecté, il est possible d'écouter les instructions vocales via les hauts parleurs de votre véhicule. Votre navigation se fera alors dans de meilleures conditions (cette fonctionnalité n'est disponible qu'avec certains types de PDA ou Smartphone et peut aussi dépendre du logiciel). Pour ce faire, il suffit d'ouvrir depuis votre PDA ou votre Smartphone le service Oreillette/Headset qui est disponible sur le kit mains-libres.

Lorsque vous êtes connecté au GPS du kit mains-libres, les appels entrants et sortants sont gérés automatiquement pour vous permettre d'utiliser le service téléphonie dans les meilleures conditions.

## **Menu GPS**

Vous pouvez dans cette rubrique désactiver complètement le service GPS pour éviter que quelqu'un ne se connecte à ce service. Vous trouverez aussi des menus permettant de personnaliser l'affichage une fois connecté au GPS : nombre de satellites, distance (kilomètres ou miles)...

Note : Si votre voiture est équipée d'un pare-brise athermique, la réception du signal GPS peut être de mauvaise qualité. Dans ce cas, il est possible d'ajouter une antenne externe, qui se branche sur la face arrière de l'écran. Contactez votre fournisseur pour vous la procurer.



## HOTLINE

Notre hot-line se tient à votre disposition.  
Vous pouvez la contacter par mail ou par téléphone.  
Permanence du lundi au vendredi de 9h00 à 18h00 (GMT +1).

Connectez-vous sur notre site Internet [www.parrot.biz](http://www.parrot.biz) pour plus d'informations.



## NOTES

English

Français

Español

Italiano

Dutch

Deutsch

Português



# 3200 LS-COLOR / 3400 LS-GPS

## Manual de empleo



Português Deutsch Dutch Italiano **Español** Français English

## INTRODUCCIÓN

La tecnología Bluetooth® permite establecer comunicaciones de voz y datos mediante un enlace de radio de corta distancia. Permite a numerosos equipos electrónicos comunicarse entre sí, especialmente a los teléfonos y kits de manos libres.

Parrot saca provecho de sus muchos años de experiencia en el tratamiento de la señal y el reconocimiento de voz para introducir un kit de manos libres con una calidad de audio superior durante la comunicación.

Gracias por adquirir este kit de manos libres Parrot. Con el Parrot 3200 LS-Color podrá pasar llamadas telefónicas desde su coche sin soltar las manos del volante.

Con su interfaz a color y su fondo de pantalla personalizable, el Parrot 3200 LS-Color es el kit de manos libres más cómodo de utilizar. Funciona como una verdadera prolongación de su teléfono móvil. Confiamos en que le proporcionará una satisfacción total.

## CONTENIDO DEL EMBALAJE

- Pantalla LCD de color.
- Cable de instalación.
- Caja electrónica.
- Manual de empleo.
- Soportes de sujeción.
- Micrófono.

## INSTALACIÓN

En primer lugar, elija el emplazamiento de la pantalla de color en el habitáculo del vehículo. Le aconsejamos que la coloque en el centro del salpicadero o cerca del conductor. Cerciórese de tener un buen ángulo de visión de la pantalla y que ésta no obstaculice el campo de visión de la carretera. Una vez instalado y puesto en marcha el kit de manos

libres podrá regular la luminosidad de la pantalla.

La conexión del micrófono se instala en dos lugares a su elección. Directamente en la parte lateral de la pantalla o en el cable conectado en la parte inferior de la pantalla. El micrófono se coloca a la izquierda del retrovisor para obtener una mejor calidad de audio.

El cable de instalación lleva dos conectores "ISO", así como una salida "line out" para conectarse directamente al amplificador, si es que dispone de uno.

### **Autorradio con entradas "line in":**

Utilice preferentemente este tipo de conexión. Para ello, debe conectar los cables marrón y blanco (o rojo y negro), así como el hilo amarillo del "Mute" en la parte posterior de su autorradio.

### **Autorradio con conectores "ISO":**

Desconecte los cables de audio y de alimentación de la autorradio. Conecte los conectores hembra del cable del kit a la autorradio. Conecte los cables de audio y alimentación del vehículo a los conectores machos.

Si la autorradio va equipado con una entrada "Mute", conecte el cable amarillo del cable del kit a una de las entradas "Mute" 1, 2 ó 3.

### **Autorradio sin conectores "ISO":**

Debe conseguir un cable adaptador "ISO".

### **Instalación del cable del kit:**

El hilo rojo del cable del kit debe conectarse a los +12V permanentes, el hilo naranja a los 12V después de contacto y el hilo negro a masa.

Compruebe el esquema eléctrico de los cables "ISO" de la autorradio.

En algunos vehículos, hay que invertir los hilos rojo y naranja.

Esta operación se realiza simplemente invirtiendo los dos portafusibles.

No conecte el hilo naranja a los 12V permanentes, ya que correría el riesgo de descargar la batería del vehículo.

### **Comprobación de la instalación:**

Si se ha instalado bien el 3200 LS-COLOR, debería ver en la pantalla el mensaje "hasta luego" cuando corte el contacto del coche.

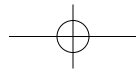
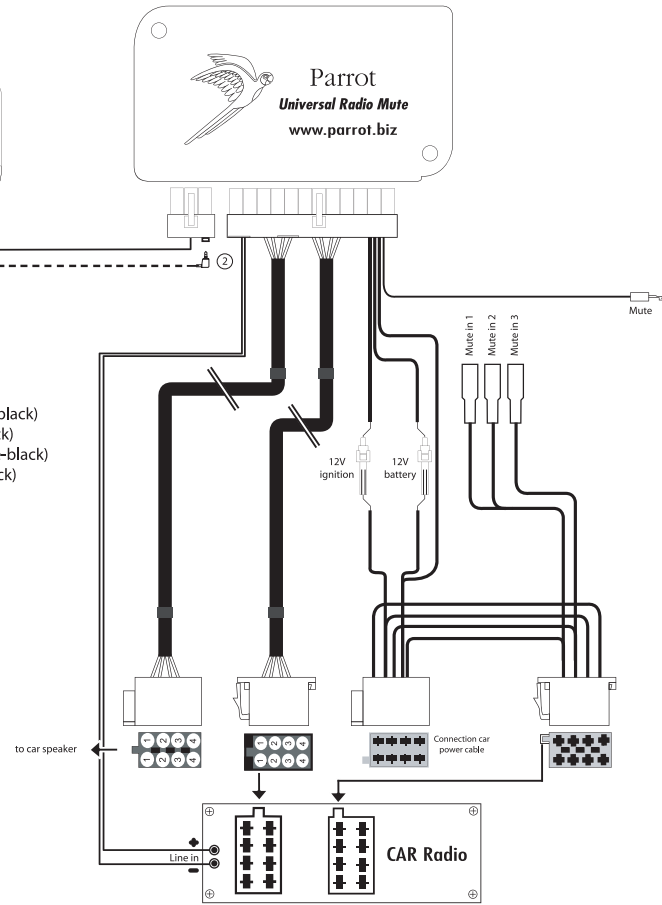
En caso contrario, ello es síntoma de que los 12V de la llave y los 12V permanentes están invertidos.

En este caso, invierta los dos portafusibles del cable de alimentación del kit.



Loud speakers

- 1 - Rear right speaker (purple/purple-black)
- 2 - Front right speaker (grey/grey-black)
- 3 - Front left speaker (white-red/white-black)
- 4 - Rear left speaker (green/green-black)



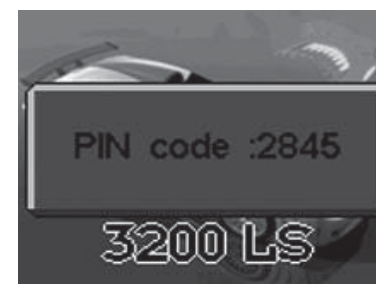
## ACOPLAMIENTO DEL TELÉFONO: Primera utilización

Cuando ponga en tensión por primera vez el 3200 LS-COLOR, deberá acoplar el teléfono al kit.

- . Active el Bluetooth de su teléfono.
- . En el kit manos libres, navegue en los menús hasta: Preferencias, Acoplar teléfono..., y seleccione la opción correspondiente a su teléfono. Aparecerá en la pantalla un código PIN de 4 cifras. Memorícelo.
- . Busque los periféricos: Para más información sobre esta operación, consulte el manual de su teléfono (capítulo de Bluetooth) o consulte nuestro sitio Web:  
[www.parrot.biz/guide\\_chm/3200LS\\_COLOR/index.html](http://www.parrot.biz/guide_chm/3200LS_COLOR/index.html)
- . Una vez realizada la búsqueda, aparece "Parrot 3200LS / Parrot 3400LS" en su teléfono.
- . Seleccione el kit; el teléfono le pedirá que introduzca un código: teclee el código que aparece en la pantalla del kit y y confirme en su teléfono.
- . En el kit, aparece "Acoplamiento en curso".
- . Una vez intercambiados los datos, en el 3200 LS-COLOR aparece "Acoplamiento terminado".
- . El 3200 LS-COLOR se conectará entonces a su teléfono. Una vez realizada la conexión, aparecerá el logo Bluetooth en la pantalla (salvo en algunos teléfonos que utilicen el perfil Headset).

. Algunos teléfonos ofrecen funciones adicionales, como poder ver el nombre del teléfono en la pantalla del kit, ver los niveles de red y de batería así como el nombre del operador.

Tras esta operación, ya se puede acceder a los menús y el kit de manos libres dice su nombre cuando se le gira la rueda. Entre en los menús pulsando el botón verde (o la rueda). Para salir, pulse el botón rojo



Ya puede utilizar ahora el kit de manos libres para comunicarse.

- . **Recepción de una llamada:** pulse el botón verde para atender la llamada.
- . **Colgar una llamada:** pulse sobre el botón rojo.
- . **Función Bis:** pulse durante dos segundos en el botón verde del kit para marcar el último número al que ha llamado.
- . **Regulación del volumen:** gire la rueda durante una comunicación, para regular el volumen.

## FUNCIONES

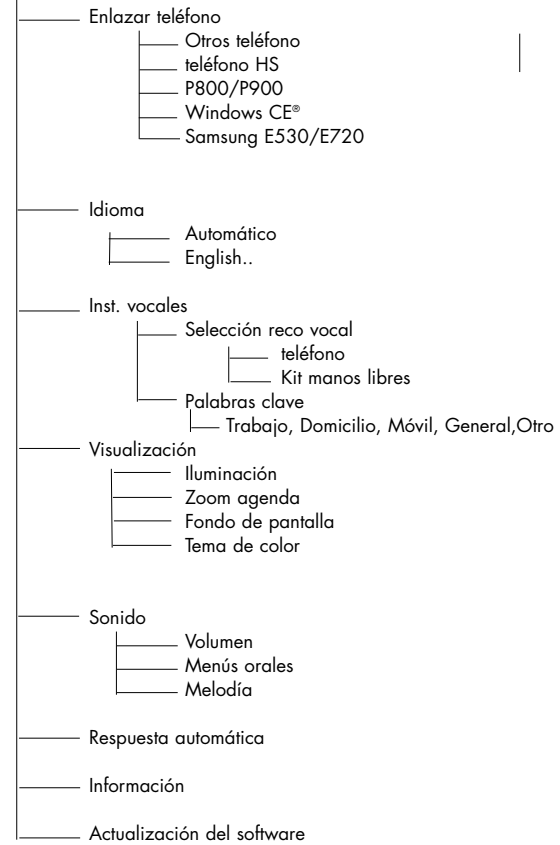
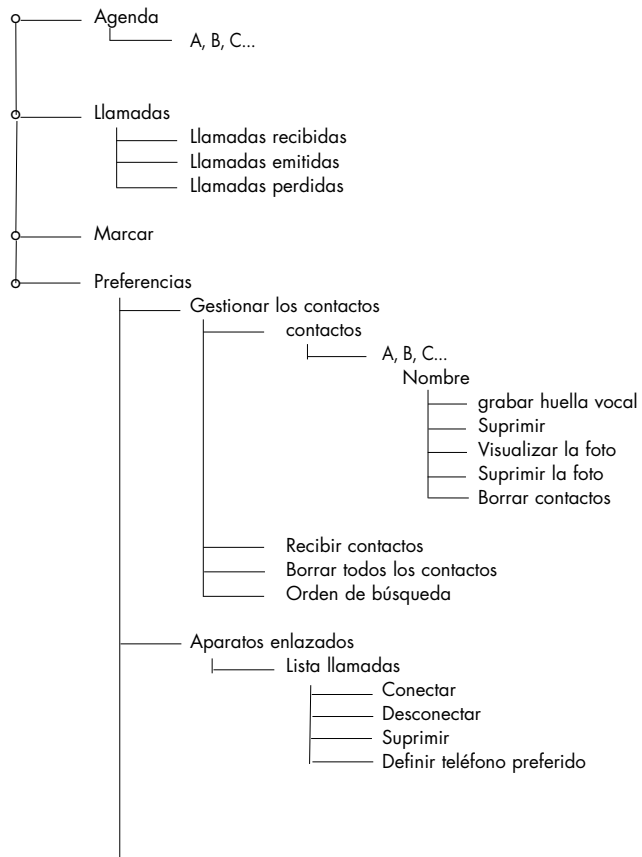
En la pantalla del kit, encontrará las principales informaciones sobre el teléfono, principalmente su agenda.

- Descarga automática de la agenda telefónica.
- Presentación del nombre y la imagen de la persona que llama.
- Llamada de contactos, mediante el reconocimiento de voz del kit.
- Corte de la autorradio durante la comunicación.
- Diario de llamadas.
- Regulación del volumen durante la comunicación.
- Gestión de llamadas.
- Marcación automática del último número.
- Cambio del fondo de la pantalla.
- Regulación de la luminosidad.
- Selección del sonido de la llamada.
- Regulación del idioma.
- DTMF: cuando reciba una llamada de su mensajería, pulse en la rueda para acceder a las cifras que permiten gestionar sus mensajes.



Nota: la mayoría de estas funciones depende del teléfono que usted tenga.

## MENUS



## ACCESO A LOS MENÚS

### Agenda

Una vez acoplado el 3200 LS-COLOR, arranca automáticamente la sincronización de la agenda (\*). Al finalizar ésta (sincronización terminada), se puede acceder a la agenda del teléfono desde la pantalla del kit de manos libres. Para acceder a ella y llamar a alguien, gire la rueda para acceder a los menús y, luego, seleccione Agenda. Haga pasar las letras hasta llegar a la primera letra del nombre de la persona en cuestión y confirme la selección. Verá el nombre y los diferentes números de teléfono de esta persona.

(\*) Depende del modelo de teléfono Bluetooth. Para conocer la información más reciente acerca de la sincronización, visite nuestro sitio internet [www.parrot.biz](http://www.parrot.biz).

### Diario de llamadas

Esta función presenta la lista de llamadas y se divide en tres submenús: Llamadas perdidas / Llamadas recibidas / Llamadas emitidas.

Se sincroniza automáticamente con el del teléfono (\*), y puede acceder a él para llamar a alguien con el que no ha podido contactar antes.

- Seleccione el contacto desde estos menús.
- Pulse la rueda o el botón verde para llamar.

(\*) Depende del modelo de teléfono Bluetooth.

### Marcas

Seleccione este menú para marcar un número directamente desde el kit.

- Gire y pulse la rueda para seleccionar un dígito.
- El icono de papelera borra el último dígito.
- Una vez marcado el número, pulse el botón verde para llamar.

## PREFERENCIAS

Este menú le permite utilizar cómodamente el 3200 LS-COLOR.

### Gestión de los contactos

Este menú le permite gestionar los contactos del Parrot 3200 LS-Color. Una vez seleccionado el contacto en la lista (acceder al Menú Gestionar los contactos), podrá grabar o suprimir un registro de voz, ver o suprimir la foto, o eliminar este contacto de la agenda.

Para recibir un contacto con la foto asociada (si el teléfono tiene la capacidad suficiente), seleccione Recibir un Contacto. Elija desde su teléfono el contacto que Bluetooth debe enviar al kit manos libres. A partir de ese momento, cuando esa persona le llame, aparecerán su foto y su nombre en la pantalla del kit.

Consulte el manual de empleo del teléfono o visite [www.parrot.biz/guide\\_CHM/3200LS Color/index.html](http://www.parrot.biz/guide_CHM/3200LS%20Color/index.html).



## RECONOCIMIENTO DE VOZ

### Elección del reconocimiento de voz

El reconocimiento de voz del 3200 LS-Color es más completo y robusto que el de los teléfonos, y funciona en entornos ruidosos.

- **Reco carkit:** las voces seleccionadas son las que están grabadas en la memoria del kit de manos libres.
- **Reco teléfono:** las voces seleccionadas son las que están grabadas en la memoria del teléfono.

### Palabras clave

La grabación de palabras clave le permite llamar por teléfono sin tener que soltar las manos del volante. Podrá controlar toda la comunicación con la voz. Palabras clave: Domicilio, Oficina, Móvil, General, Otros. Las palabras clave permiten seleccionar el número de teléfono deseado cuando un contacto tiene varios teléfonos asociados. Para que sean válidas, todas las palabras clave deben grabarse previamente.

Una vez grabadas las palabras clave, deberá realizar la secuencia siguiente para realizar una llamada mediante el reconocimiento de voz: Pulse el botón verde, y tras el bip, diga: "John Smith...(bip)...Oficina... ". Y llamará al número de teléfono de la oficina de John Smith".

### Aparatos acoplados

El 3200 LS-Color le permite acoplar hasta 5 teléfonos Bluetooth, teniendo en cuenta que sólo uno de ellos puede estar conectado durante una sesión.

El menú de Aparatos acoplados le permite conectar, desconectar o eliminar un teléfono de la memoria del kit.

Desde Definir teléfono preferido, podrá controlar la prioridad dada al teléfono Bluetooth durante las conexiones con varios teléfonos presentes en el coche.

#### Atención:

Al eliminar un acoplamiento, perderá todas las voces atribuidas a los contactos de ese teléfono.

### Emparejamiento de un teléfono

Antes de emparejar su teléfono Bluetooth, debe activar el modo correspondiente al teléfono Bluetooth.

Los diferentes modos son:

- Otro teléfono
- Teléfonos Headset
- P800-P900
- Windows CE
- Sony-Ericsson K600, W800, K750
- Samsung E530, E720,
- Samsung D500, Sagem My-X8
- Motorola iDEN 605
- Samsung Z140, Z300, Z500

Una vez seleccionado el modo, aparecerá un código de 4 cifras (aleatorio). Lance la búsqueda de periféricos Bluetooth desde su teléfono. Una vez encontrado el kit manos libres, selecciónelo e introduzca este código.

Nota: De cara a una mayor compatibilidad con los teléfonos, en las futuras versiones pueden añadirse nuevos modos de emparejamiento.



### **Idioma**

Seleccione el idioma de presentación de los menús del 3200 LS-Color.

### **Visualización**

5 secciones le permiten personalizar la presentación de la información:

- **Luminosidad:** Utilice la rueda para obtener el nivel deseado y confirme pulsando sobre la rueda.
- **Ampliación de la agenda:** Permite ver 3 ó 4 líneas en el menú de Agenda.
- **Fondo de pantalla:** Le permite seleccionar una imagen para el fondo de pantalla.
- **Tema:** Corresponde a la selección de un tema de color.

### **Sonidos**

- **Volúmenes:** Utilice la rueda para controlar el nivel de volumen de la comunicación y el nivel de sensibilidad de los micrófonos.
- **Menús parlantes:** Ajuste el volumen del kit de manos libres al nivel deseado.
- **Elección de los timbres:** Para los teléfonos que no suenan cuando reciben una llamada, seleccione el sonido que desea oír al recibir una llamada.

### **Respuesta automática**

Active este modo si desea que el 3200 LS-Color descuelgue automáticamente las llamadas entrantes.

### **Información**

Este menú permite consultar la información referente a la versión del programa instalado.

## **ACTUALIZACIÓN**

Puede actualizar la versión del programa del 3200 LS-Color mediante Bluetooth. Active este modo antes de realizar la actualización. Bluetooth la

realiza desde un ordenador equipado con Bluetooth.

La actualización permite nuevas funciones, así como mejorar la compatibilidad con las funciones avanzadas desde un mayor número de teléfonos. Para más información, visite nuestro sitio web: [www.parrot.biz](http://www.parrot.biz).

## **PARROT 3400 LS-GPS**

El kit Parrot 3400 LS-GPS incorpora un módulo GPS (Global Positioning System) que revela la posición instantánea del vehículo. Bluetooth puede disponer de esta información a través de un canal al que pueden acceder la mayoría de las PDA y de los smartphones en el caso de vayan equipados con programas de navegación.

## **Procedimiento de conexión al servicio GPS**

Si su PDA o smartphone dispone de una aplicación de navegación, basta acoplar este periférico con el Parrot 3400 y abrir una conexión serie Bluetooth hacia el puerto GPS (el número de puerto de salida serie depende del tipo de PDA o smartphone).

Si el programa de navegación le pide esa información, la configuración a elegir en su aparato es NMEA 0183v2 9600.

### **Pueden darse varios estados :**

- Estado 1: GPS desconectado - No fix (icono del satélite en gris).
- Estado 2: GPS desconectado - Fix logrado (icono del satélite coloreado).
- Estado 3: GPS conectado - No fix (icono del satélite gris, con símbolo de emisión).
- Estado 4: GPS conectado - Fix logrado (icono del satélite coloreado, con símbolo de emisión).

**Nota:** un fix (o posición) indica que los datos del satélite recibidos por el kit manos libres son válidos.

## **Procedimiento de conexión al servicio GPS:**

### **1. Si ya está conectado a Bluetooth con su teléfono:**

- ♦ Desconecte el teléfono (pulse el botón rojo del equipo manos libres durante 2 segundos). El kit manos libres se encuentra entonces en el estado 1 ó 2 (si se ha hecho la unión).
- ♦ Desde el programa de navegación (instalado en la PDA o smartphone) conéctese al servicio GPS del 3400 LS-GPS. El kit manos libres se encuentra a partir de entonces en el estado 3 ó 4.
- ♦ Una vez conectado, aparecerá un símbolo de emisión bajo el satélite. Si el satélite está coloreado, indica se ha establecido la unión (kit manos libres en el estado 4). Tendrá así la distancia recorrida, que aparece en el ángulo superior derecho de la pantalla.
- ♦ Una vez realizada la conexión GPS, el kit se vuelve a conectar automáticamente al servicio de telefonía de su teléfono.

### **2. Si no está conectado a Bluetooth con su teléfono:**

- ♦ Desde el programa de navegación (instalado en la PDA o Smartphone) conéctese al servicio GPS del 3400 LS-GPS. El kit manos libres se encuentra a partir de entonces en el estado 3 ó 4.
- ♦ Una vez conectado, aparecerá un símbolo de emisión bajo el satélite. Si el satélite está coloreado, indica se ha establecido la unión (kit manos libres en el estado 4). Tendrá así la distancia recorrida, que aparece en el ángulo superior derecho de la pantalla.
- ♦ Ahora ya puede acoplar o conectar su teléfono.

## **INDICACIONES VOCALES DE SU NAVEGACIÓN**

Una vez conectado el servicio GPS, se pueden escuchar las instrucciones vocales vía los altavoces del vehículo. La navegación se realizará entonces en las mejores condiciones (no se puede disponer de esta característica mas que en ciertos tipos de PDA o smartphone y también puede depender del programa en cuestión).

Para realizar esto, basta abrir desde la PDA o smartphone el servicio Auricular/Casco que está disponible en el kit manos libres.

Cuando usted se conecta al GPS del kit manos libres, se gestionan automáticamente las llamadas que entran y salen a fin de que pueda usar el servicio de telefonía en las mejores condiciones.

## **MENU GPS**

En este menú, podrá desactivar completamente el servicio GPS para evitar que cualquiera se conecte al servicio.

Encontrará también funciones que permiten personalizar la pantalla una vez conectado al GPS: número de satélites, distancia (kilómetros o millas), etc.

**Nota:** si su vehículo va equipado con un parabrisas antitérmico, puede interferir la recepción de la señal del GPS. En tal caso, puede añadir una antena exterior, que se conecta a la parte trasera de la pantalla. Para hacerse con ella, acuda a su proveedor habitual.



## LÍNEA DIRECTA

Nuestra línea directa está a su entera disposición. Puede ponerse en contacto con nosotros por correo electrónico o por teléfono. Estamos de lunes a viernes de 9:00 h a 18:00 h (GMT +1).

Si desea más información, también puede visitar nuestro sitio Internet [www.parrot.biz](http://www.parrot.biz).



## NOTA

# 3200 LS-COLOR / 3400 LS-GPS

## Manuale d'istruzioni - Manuale per l'utent



Português Deutsch Dutch Italiano Español Français English

## INTRODUZIONE

La tecnologia Bluetooth® consente di stabilire delle comunicazioni vocali e di dati tramite un collegamento radio a distanza ravvicinata. Tale tecnologia consente la comunicazione tra diversi dispositivi elettronici come ad esempio telefoni e kit mani libere.

Parrot vanta una lunga esperienza nella gestione del segnale e del riconoscimento vocale che le hanno consentito di introdurre sul mercato un kit mani libere con una qualità audio superiore delle comunicazioni.

Grazie di aver acquistato un kit mani libere Parrot. Con il kit Parrot 3200 LS-Color, è possibile effettuare chiamate telefoniche dall'automobile tenendo le mani sul volante.

Parrot 3200 LS-Color rappresenta un kit unico nel suo genere, grazie all'interfaccia colorata e allo sfondo personalizzabile. Funziona come una reale estensione del telefono portatile. Confidiamo nella piena soddisfazione dei nostri utenti.

## CONTENUTO DELLA CONFEZIONE

- Display LCD a colori.
- Cavo per l'installazione.
- Scatola elettronica.
- Manuale d'istruzioni.
- Supporti di fissaggio.
- Microfono.

## INSTALLAZIONE

Scegliere la posizione del display a colori nell'abitacolo dell'autoveicolo. Si consiglia di posizionarlo al centro del cruscotto oppure accanto al posto di guida. Assicurarsi di disporre di un buon angolo di visione sullo schermo e che quest'ul-

timo non disturbi la visione della strada. Una volta installato e messo in funzione il kit mani libere, sarà possibile regolare la luminosità dello schermo.

La presa del microfono può essere inserita in due punti a scelta: direttamente sul lato dello schermo oppure sul cavo collegato nella parte inferiore dello schermo. Il microfono viene posizionato alla sinistra del retrovisore per una migliore qualità audio. Il cavo di installazione è dotato di prese " ISO " e di un'uscita di linea " line out " per collegarsi direttamente all'amplificatore se disponibile.

### **Autoradio con ingressi di linea " line in " :**

Utilizzare preferibilmente questo tipo di connessione collegando i cavi marrone e bianco (o rosso e nero), nonché il cavo giallo della funzione Mute sul retro dell'autoradio.

### **Autoradio con prese " ISO " :**

Scollegare i fasci dei cavi audio e di alimentazione dell'autoradio. Collegare i connettori femmina del cavo del kit all'autoradio.

Collegare i fasci dei cavi audio e di alimentazione del veicolo ai connettori maschio; Se l'autoradio è dotata di un ingresso Mute, collegare il filo giallo del cavo del kit a uno degli ingressi Mute 1,2 o 3.

### **Autoradio senza prese " ISO " :**

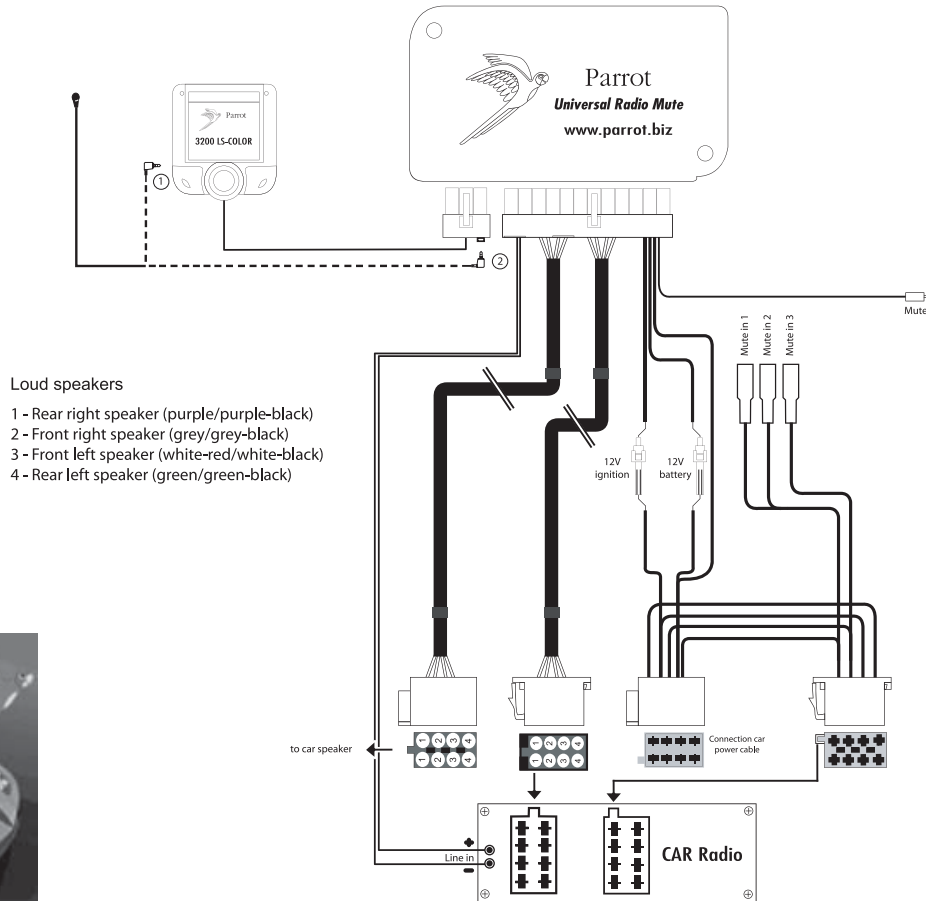
È necessario procurarsi un cavo adattatore " ISO ".

### **Installazione del cavo del kit :**

- . Il filo rosso del cavo di alimentazione deve essere collegato all'ingresso 12 V con flusso continuo, il filo arancione al 12 V post-contatto e il filo nero alla massa.
- . Verificare lo schema elettrico del fascio di cablaggio dell'alimentazione ISO dell'autoradio. Su alcune vetture è necessario invertire le posizioni dei fili rosso e arancione. Questa operazione viene effettuata semplicemente invertendo i due porta fusibili.
- . Non collegare il filo arancione all'ingresso 12 V con flusso continuo, in quanto ciò potrebbe provocare lo scaricamento della batteria del veicolo.

### **Verifica dell'installazione :**

- . Se il kit 3200 LS-Color è installato correttamente, sullo schermo viene visualizzato il messaggio " arriverci " al momento dello spegnimento del contatto del veicolo.
- . In caso contrario, significa che il 12 V della chiave e il 12 V con flusso continuo sono stati invertiti. In questo caso, invertire i due porta fusibili del cavo di alimentazione del kit.



## INTERFACCIA CON IL TELEFONO : Primo utilizzo

Durante la prima accensione, è necessario gemellare il telefono con il kit 3200 LS-Color.

- . Attivare la connessione Bluetooth sul proprio telefono cellulare.
- . Sul kit mani libere, scorrere i menu fino a: Preferenze, Gemellaggio telefono... e selezionare l'opzione corrispondente al telefono in uso. Viene visualizzato sullo schermo un codice PIN a 4 cifre, da memorizzare.
- . Effettuare una ricerca delle periferiche : Per maggiori informazioni su questa operazione, fare riferimento al manuale di istruzioni del telefono cellulare (capitolo Bluetooth) oppure consultare il nostro sito Web all'indirizzo : [www.parrot.biz/guide\\_chm/3200LS\\_COLOR/index.html](http://www.parrot.biz/guide_chm/3200LS_COLOR/index.html)
- . Una volta terminata la ricerca, sul telefono viene visualizzata la dicitura " Parrot 3200LS / Parrot 3400LS ".
- . Selezionare il kit, quindi il telefono richiede l'immissione di un codice : digitare il codice visualizzato sullo schermo del kit, quindi convalidare sul telefono.
- . Il messaggio " Gemellaggio in corso " viene visualizzato sullo schermo del kit.
- . Una volta avvenuto lo scambio di dati, sul 3200 LS-Color viene visualizzato il messaggio " gemellaggio completato ".
- . A questo punto, il kit 3200 LS-Color si collega al telefono. Una volta stabilita la connessione, il logo Bluetooth viene visualizzato sullo schermo (ad eccezione di alcuni telefoni che utilizzano il profilo Headset).

- . Alcuni telefoni offrono delle funzionalità aggiuntive come ad esempio la visualizzazione del nome del telefono sullo schermo del kit, la visualizzazione del livello di rete e di carica del telefono nonché il nome dell'operatore telefonico in uso.

I menu sono quindi accessibili e i rispettivi nomi vengono enuncati dal kit mani libere facendo ruotare la manopola. Accedere ai menu premendo il pulsante verde (o la manopola). Per uscire, premere il pulsante rosso.



È ora possibile utilizzare il kit mani libere per comunicare.

- . **Ricezione di una chiamata** : premere il pulsante verde per rispondere alla chiamata.
- . **Per riagganciare** : premere il pulsante rosso.
- . **Funzione Ripetizione ultimo numero** : premere e tenere premuto per due secondi il pulsante verde del kit per richiamare l'ultimo numero composto.
- . **Regolazione volume** : far ruotare la manopola durante la comunicazione per regolare il volume.

## FUNZIONALITÀ

Sullo schermo del kit vengono visualizzate le informazioni principali del telefono, in particolare la rubrica.

- ♦ Caricamento automatico della rubrica telefonica.
- ♦ Visualizzazione del nome e dell'immagine del chiamante.
- ♦ Richiamo dei contatti mediante sistema di riconoscimento vocale del kit.
- ♦ Interruzione dell'autoradio durante la comunicazione.
- ♦ Registro chiamate.
- ♦ Regolazione del volume durante la comunicazione.
- ♦ Gestione dell'avviso di chiamata.
- ♦ Richiamo automatico dell'ultimo corrispondente.
- ♦ Modifica dello sfondo dello schermo.
- ♦ Regolazione della luminosità.
- ♦ Selezione della suoneria.
- ♦ Scelta della lingua.
- ♦ DTMF: in caso di chiamata del servizio di messaggeria, premere la manopola per accedere ai numeri che consentono di gestire i propri messaggi.



Nota : la maggior parte delle funzionalità elencate dipendono dal telefono in uso.