

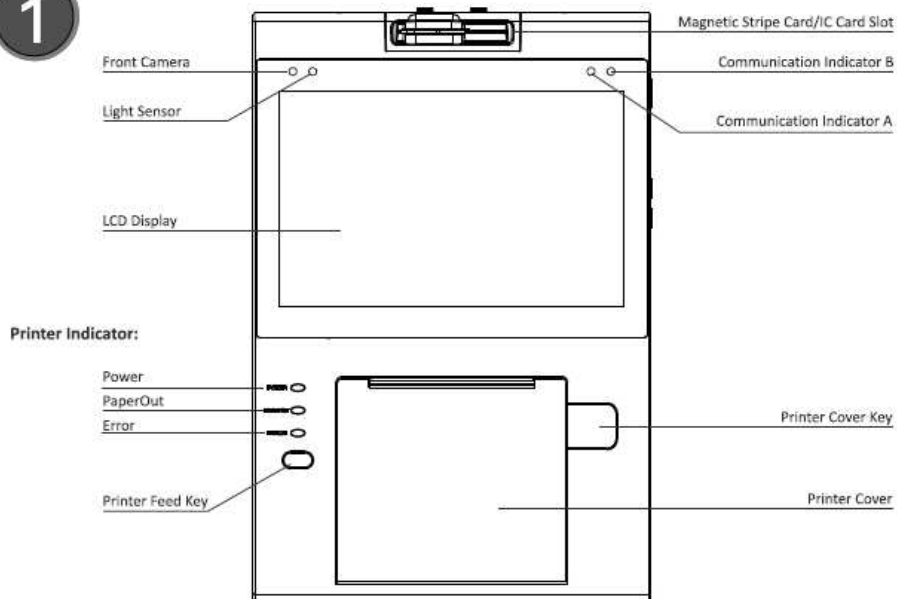
E500 Integrated Smart Terminal



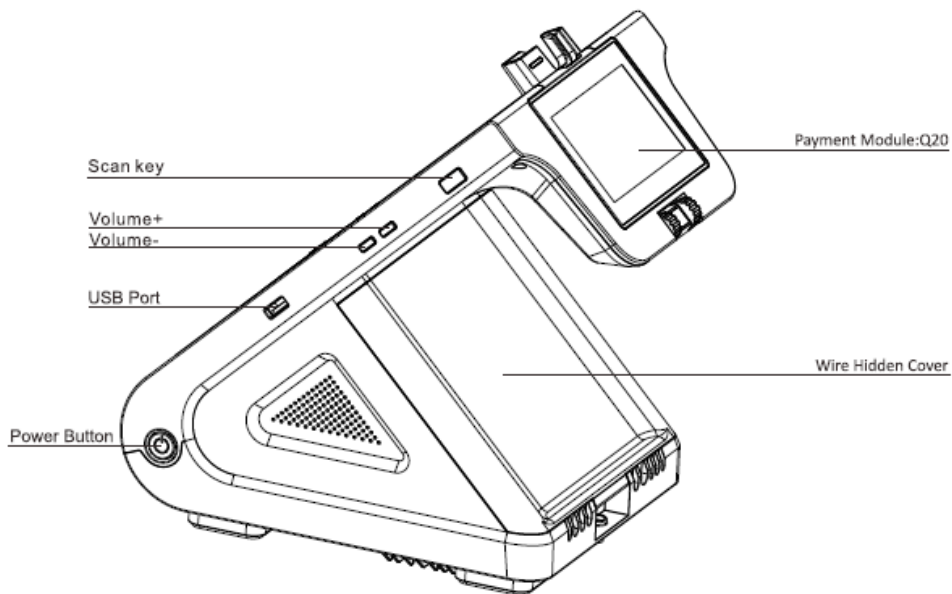
PAX TECHNOLOGY LIMITED

Product Description

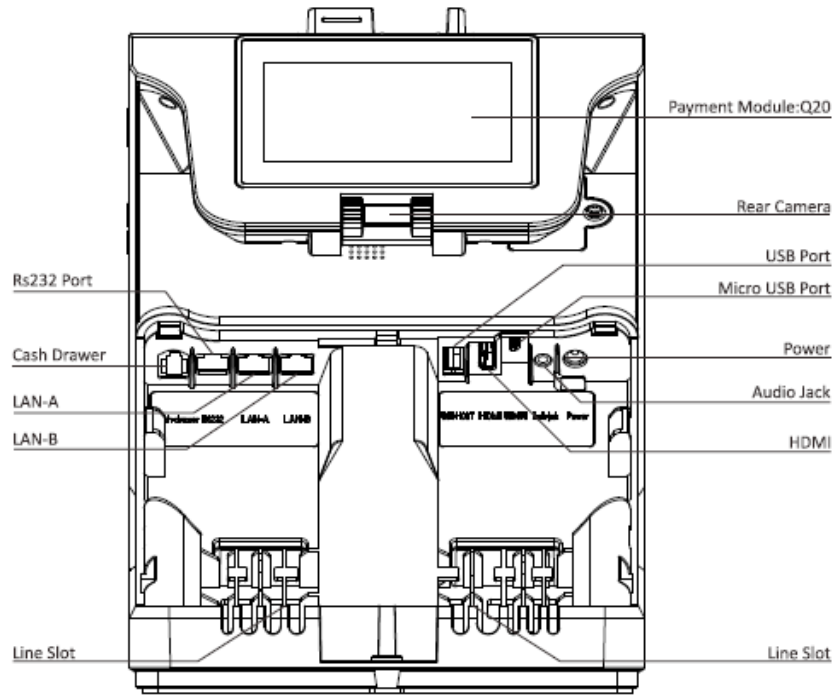
1



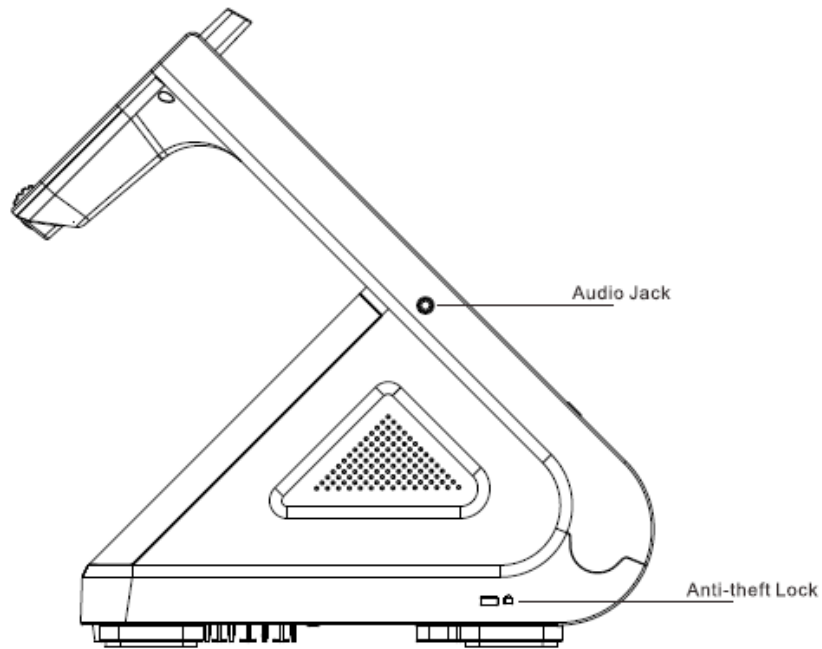
Front View



Side View



Bottom View



Rear View

2.Installation

USB port : Connect USB device or PC

SIM card : Open the SIM card/SD card cover and insert the SIM card into the corresponding SIM card slot.

Mirco SD card: Open the SIM card/SD card cover and insert the Micro SD card into the corresponding Micro SD card slot.

LAN A/B: Open the wire hidden cover which is at the back of the terminal, insert the cable which is connected to the Internet to LAN A or LAN B. It provides bi-directional wired Internet for the cash register.

Cash Drawer: Open the wire hidden cover which is at the back of the terminal, insert the RJ11 connector into the Cash Drawer interface to connect the Cash Drawer with the cash register.

HDMI interface: Open the wire hidden cover which is at the back of the terminal, insert the HDMI cable which connects the HD TV or display (supports 720P or above) into the HDMI interface of the cash register. Then the HD TV or display can show all the information on the screen of the cash register.

Audio Jack: Adopt the international standard interface, support the microphone.

3. Instruction

Power ON/OFF

Power ON: Press and hold the Power button (on the side) for three seconds until the main screen and the guest screen display normally.

Power off: Press and hold the Power button for three seconds until the shutdown menu appears, tap Shutdown

> Click Shutdown, and then "shutting..." appears, the terminal is being turned off.

Load the print paper: When the printer indicator lights in yellow, it needs to load the print paper. Press the printer cover switch to open the printer cover, load the paper roll by following the direction as shown in the paper warehouse, and close the printer cover. Then the indicator will light off.

Magnetic stripe card: Place the magnetic stripe face to the main screen (perpendicular to the main screen), swipe card through the magnetic card slot at a constant speed.

IC card: Place the chip face down, insert the IC card into the card slot, and push it to the end.

Swiping contactless card: Place a contactless card close to the sensor area of swiping which is at the screen of the payment module.

4. Specification

Operation System: Android 6.0

CPU: ARM Quad-core Cortex™-A53, 1.2GHZ processor

Memory: 1GB DDR3 SDRAM, 8GB eMMC

Display: 8inch, 1280*800, multi-touch capacitive touch screen, white LED backlight

Printer: 3 inch High-Speed Thermal Printer with Auto-cutter

Audio: Support speaker and microphone

Camera: 5 mega-pixel auto-focusing camera 1

2 mega-pixel fixed-focusing camera 1

L-Sensor: Support ambient light sensor

Wireless Communication:

Support WIFI, Bluetooth, WCDMA/TD-SCDMA/CDMA2000, FDD-LTE/TD-LTE

Peripheral Ports: 1 Micro-USB(OTG)

- 2 USB TypeA
- 1 HDMI
- 2 LAN (One in, one out)
- 1 Cash Drawer
- 1 RS232
- 2 Audio Jack

Card Slots:

- 1 SIM card slot
- 1 Micro SD card slot

- 1 magnetic stripe/IC card slot , using two-in-one (supportMAG&ICC)

Magnetic Card Reader: Support 1/2/3.

IC Card reader: Support reading card of 1.8V,3.3V and 5V.

Support storage card and CPU card.

Conform to the standard of EMV2000 L1&L2, PBOC3.0 , IOS7816

RF Card Reader: 13.56Mhz, conform to the standard of ISO14443, Type A/B

5. Cautions of installation and usage

- 1) Avoid exposing the terminal in hot, humid,dusty or strong electromagnetic environment.
- 2) Do not violently vibrate, shake or beat the product.
- 3) Do not plug/unplug any units of the product when it is power on, otherwise it may damage the internal circuit.
- 4) Do not maintain the terminal if you are non-professional
- 5) Before inserting the magnetic stripe/IC/contactless card, please check whether there is any foreign object inside or surround the card slot , and if any , report to related personnel.

This device complies with Part 15 of the FCC Rules. Operation is subject to the following two conditions: (1) This device may not cause harmful interference, and (2) this device must accept any interference received, including interference that may cause undesired operation.

This equipment has been tested and found to comply with the limits for a Class B digital device, pursuant to Part 15 of the FCC Rules. These limits are designed to provide reasonable protection against harmful interference in a residential installation. This equipment generates, uses and can radiate radio frequency energy and, if not installed and used in accordance with the instructions, may cause harmful interference to radio communications. However, there is no guarantee that interference will not occur in a particular installation. If this equipment does cause harmful interference to radio or television reception, which can be determined by turning the equipment off and on, the user is encouraged to try to correct the interference by one of the following measures:

- Reorient or relocate the receiving antenna.
- Increase the separation between the equipment and receiver.

- Connect the equipment into an outlet on a circuit different from that to which the receiver is connected.
- Consult the dealer or an experienced radio/TV technician for help.

FCC Caution:

- Any changes or modifications not expressly approved by the party responsible for compliance could void the user's authority to operate this equipment.
- This transmitter must not be co-located or operating in conjunction with any other antenna or transmitter.

Radiation Exposure Statement:

This equipment complies with FCC radiation exposure limits set forth for an uncontrolled environment. This equipment should be installed and operated with minimum distance 20cm between the radiator & your body.