

P/N:200312000000142



Installation Manual

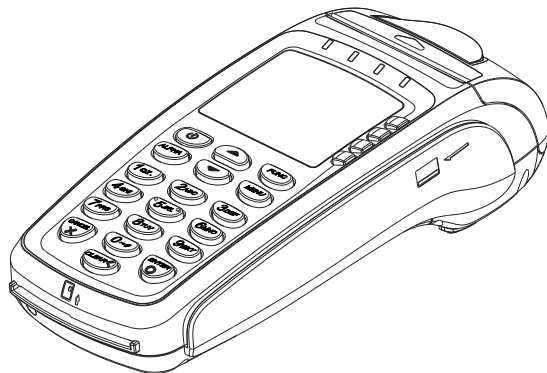
S90 Mobile Payment Terminal

*PAX TECHNOLOGY LIMITED reserves
the right to change product technology
specifications without notifying.*



PAX TECHNOLOGY LIMITED

Room 2416, 24/F., Sun Hung Kai Centre, 30
Harbour Road, Wanchai, Hong Kong
Tel: +852-2588 8808 Fax: +852-2802 3300
E-mail: daniel@pax.com.hk
Website: www.pax.com.hk



PAX TECHNOLOGY LIMITED

Appearance Description

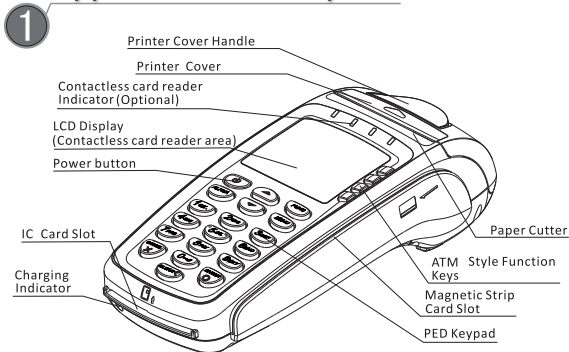


Figure 1: Top View

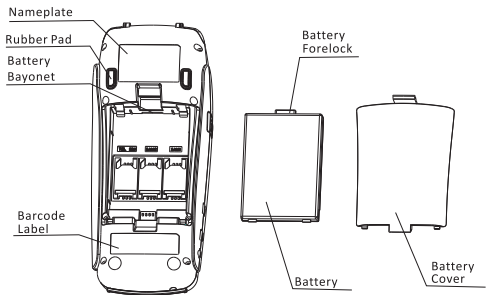


Figure 2: Bottom View

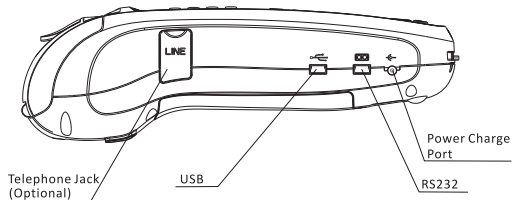


Figure 3: Side View

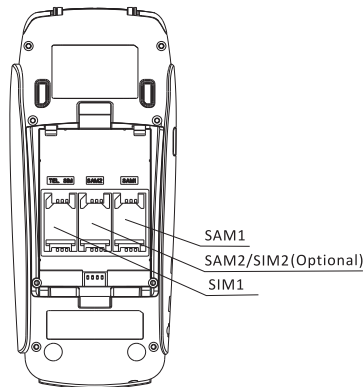


Figure 4: SAM/SIM Card Slots

Installation

2

1) SAM Card Installation

① Open up battery cover, which is at the bottom of the terminal; ② Take out battery; ③ Insert SAM card to corresponding SAM card slot.

2) SIM/UIM Card Installation

① Open up battery cover, which is at the bottom of the terminal; ② Take out battery; ③ Insert SIM/UIM card to corresponding SIM/UIM card slot.

3) Battery Installation

① Hold the battery with its sticker facing up. ② Attach battery forelock to battery bayonet ; ③ Press down the other side of the battery

Instructions

3

1 Power ON/FF

Power on: Press power switch button for 2 seconds until LED backlight is on, and the buzzer will beep if POS is being turned on successfully.

Power off: Press power switch button for 2 seconds until the displaying content vanishes. POS is being turned off.

2 Magnetic Stripe Card

When user swipes magnetic stripe card along the slot, the backside of the card, which contains magnetic stripe information, should be facing to the terminal. Bi-directional swiping is supported. It is recommended to swipe starting from the top of the terminal to the bottom of the terminal, with a constant moving speed.

3 IC card

When user inserts IC card into the IC slot, the chip of IC card should be facing up; user is recommended to gently insert the

card, in order to avoid any physical damage to the card or the IC slot of the terminal. If IC card is successfully read by the terminal, the IC card icon will be shown on LCD display screen.

4 Tearing off receipt from the terminal

After the receipt is printed, pinch the end of the receipt and keep an angle of 45 degrees between receipt and the cutter of the terminal; tear off the receipt swiftly.

Specification

4

Basic configuration

CPU	32-bit, ARM11
Memory	128MB FLASH, 64MB DDR
Display	128×64 pixel LCD, LED backlight
Keypad	10 alphanumeric keys, 8 function keys, 4 ATM keys and 1 switch [ON] key
Magnetic Card Reader	Track 1/2/3, bi-directional swipe
IC Card Reader	1 user card (EMV2000)
SAM Slots	2, ISO7816
Communication	GPRS(GSM) CDMA WCDMA or WIFI(select one of four options)
Modem	Sync SDLC, baud rate: 1200/2400/9600bps
Peripheral Ports	Async V.92. (up to 56Kbps)) 1 RS232, 1 power charge port, 1USB port, 1 Line port,
Printer	Thermal printer, Speed: 12.5 lines/sec Paper width:58mm
Battery	Li-ion battery, 1800mAh, 7.4V.
Power Supply	Input: 100~240VAC 50Hz/60Hz 1.0A, Output:9.5VDC 4A
Working Environment	Temperature: 0℃~50℃(32℉~122℉) R.H.: 10%~93%(non-condense)



Storage Environment Temperature:-20°C~70°C (-4°F~158°F)
 R.H.:5%~95%(non-condense)
Dimensions 197mm x 87mm x 61.5mm (L x W x H)
Weight 486g(attached with battery)

Optional

- 1) Function of contactless reading card (ISO/IEC 14443 Type A/B, Mifare ® , Felica, with indicator lamps for state of reading card. The card sensing area: LCD screen)
- 2) Function of dual SIM.
- 3) Function of Scanning one - dimensional barcodes.
- 4) Accessories with leather casing, charging dock, car Jack charger.

Terminal Installation and Usage Tips

5

- 1) Do not damage electric wire and power adapter. If electric wire or power adapter is damaged, please do not use the terminal any more.
- 2) Before power adapter is plugged into power socket, please make sure that voltage which the power socket supplies is appropriate working voltage for the terminal.
- 3) Do not expose the terminal in sunshine, or in humid, hot, or dusty environment
- 4) Keep the terminal away from liquid material.
- 5) Do not plug any unknown material into any port of the terminal, since it may create serious damage to the terminal.
- 6) If the terminal is defective, please contact professional POS repair technicians.
- 7) When installing paper roll, please be aware of the cutter within paper bracket.
- 8) Please use standard thermal paper, in order to protect the printer and avoid paper jam.
- 9) Do not assemble the terminal in explosion hazardous area.

Battery Usage Tips

6

- 1) Charge indoor by PAX charger, where is cool and well ventilated;
- 2) Do not apart the battery;
- 3) Do not short circuit the battery;
- 4) Keep the battery away from sunshine, smog and dust;
- 5) Do not squeeze, punch the battery, put it into liquid or near fire;
- 6) Keep way from environment which is too hot, too cold, damp and highly explosive;
- 7) Once a failure happens such as heating or distortion, or it was broken down, Please change new battery;
- 8) Change new battery if it cannot satisfy your requirement;
- 9) Change new battery if using more than two years.

Any Changes or modifications not expressly approved by the party responsible for compliance could void the user's authority to operate the equipment.

This device complies with part 15 of the FCC Rules. Operation is subject to the following two conditions: (1) This device may not cause harmful interference, and (2) this device must accept any interference received, including interference that may cause undesired operation.

This device has been tested and found to comply with the limits for a Class B digital device, pursuant to Part 15 of the FCC Rules. These limits are designed to provide reasonable protection against harmful interference in a residential installation. This equipment generates, uses and can radiated radio frequency energy and, if not installed and used in accordance with the instructions, may cause harmful interference to radio communications. However, there is no guarantee that interference will not occur in a particular installation. If this equipment does cause harmful interference to radio or television reception, which can be determined by turning the equipment off and on, the user is encouraged to try to correct the interference by one or more of the following measures:

-Reorient or relocate the receiving antenna.



- Increase the separation between the equipment and receiver.
- Connect the equipment into an outlet on a circuit different from that to which the receiver is connected.
- Consult the dealer or an experienced radio/TV technician for help.

Customer Information

This equipment complies with Part 68 of the FCC rules and the requirements adopted by the ACTA. On the bottom of this equipment is a label that contains, among other information, a product identifier in the format US:PAXMM00BS90. If requested, this number must be provided to the telephone company.

This equipment uses the following USOC jacks: RJ11C

A plug and jack used to connect this equipment to the premises wiring and telephone network must comply with the applicable FCC Part 68 rules and requirements adopted by the ACTA. A compliant telephone cord and modular plug is provided with this product. It is designed to be connected to a compatible modular jack that is also compliant. See installation instructions for details.

The REN is used to determine the number of devices that may be connected to a telephone line. Excessive RENs on a telephone line may result in the devices not ringing in response to an incoming call. In most but not all areas, the sum of RENs should not exceed five (5.0). To be certain of the number of devices that may be connected to a line, as determined by the total RENs, contact the local telephone company. For products approved after July 23, 2001, the REN for this product is part of the product identifier that has the format US: PAXMM00BS90. The digits represented by ## are the REN without a decimal point (e.g., 03 is a REN of 0.3).

For earlier products, the REN is separately shown on the label.

If this equipment US: PAXMM00BS90 causes harm to the telephone network, the telephone company will notify you in advance that temporary discontinuance of service may be required. But if advance notice isn't practical, the telephone

company will notify the customer as soon as possible. Also, you will be advised of your right to file a complaint with the FCC if you believe it is necessary.

The telephone company may make changes in its facilities, equipment, operations or procedures that could affect the operation of the equipment. If this happens the telephone company will provide advance notice in order for you to make necessary modifications to maintain uninterrupted service.

If trouble is experienced with this equipment US:PAXMM00BS90, for repair or warranty information, please contact PAX Technology Inc. 631247-9660. If the equipment is causing harm to the telephone network, the telephone company may request that you disconnect the equipment until the problem is resolved.

Connection to party line service is subject to state tariffs. Contact the state public utility commission, public service commission or corporation commission for information.

If your home has specially wired alarm equipment connected to the telephone line, ensure the installation of this US:PAXMM00BS90 does not disable your alarm equipment. If you have questions about what will disable alarm equipment, consult your telephone company or a qualified installer.

RF Exposure Information (SAR)

This device is designed and manufactured not to exceed the emission limits for exposure to radio frequency (RF) energy set by the Federal Communications Commission of the United States.

During SAR testing, this device was set to transmit at its highest certified power level in all tested frequency bands, and placed in positions that simulate RF exposure in usage near the body with the separation of 0 mm. Although the SAR is determined at the highest certified power level, the actual SAR level of the device while operating can be well below the maximum value. This is because the device is designed to operate at multiple power levels so as to use only the power required to reach the



network. In general, the closer you are to a wireless base station antenna, the lower the power output.

The exposure standard for wireless devices employing a unit of measurement is known as the Specific Absorption Rate, or SAR. The SAR limit set by the FCC is 1.6W/kg.

This device is complied with SAR for general population /uncontrolled exposure limits in ANSI/IEEE C95.1-1992, and had been tested in accordance with the measurement methods and procedures specified in OET Bulletin 65 Supplement C. This device has been tested, and meets the FCC, when tested with the device directly contacted to the body.

For this device for usage near the body is 1.46W/kg.

While there may be differences between the SAR levels of various devices and at various positions, they all meet the government requirements.

SAR compliance for body-worn operation is based on a separation distance of 0 mm between the unit and the human body. Carry this device at least 0 mm away from your body to ensure RF exposure level compliant or lower to the reported level.

RF exposure compliance with any body-worn accessory, which contains metal, was not tested and certified, and use such body-worn accessory should be avoided.