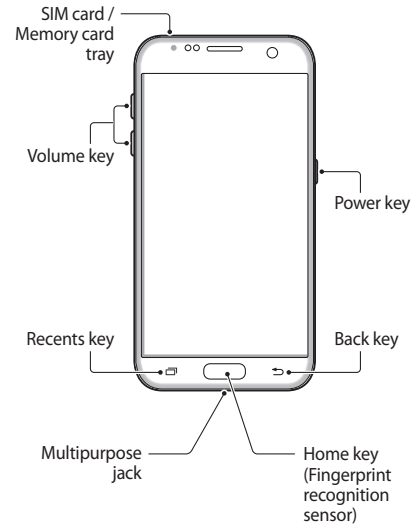


QUICK START GUIDE

SM-G930W8

Device layout

To turn on the device, press and hold the Power key for a few seconds.



Accessing more information

Visit www.samsung.com/ca to view device information, the user manual, and more.

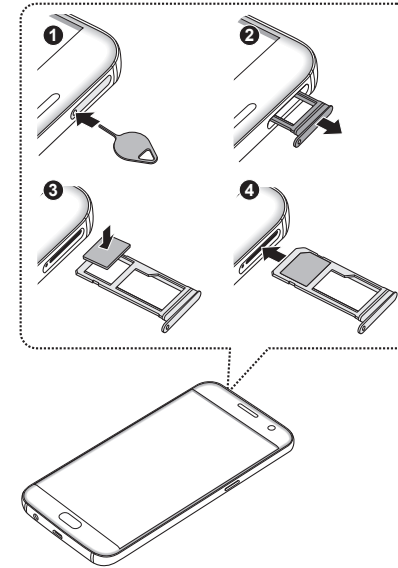
- The user manual may not be available depending on the web browser or service provider.
- You may incur additional charges for accessing the Internet.

Installing a nano-SIM card and a microSD card

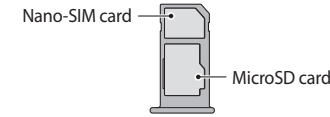
Insert the ejection pin into the hole on the tray to loosen the tray.

Gently press the card into the tray to secure it.

- Ensure that the ejection pin is perpendicular to the hole. Otherwise, the device may be damaged.
 - If the card is not fixed firmly into the tray, the card may leave or fall out of the tray.
- Nano-SIM cards and microSD cards are sold separately.



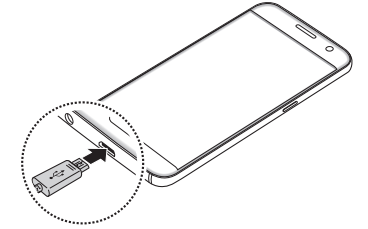
Correct card installation



- Use only a nano-SIM card.

Charging the battery

Before using the device for the first time, you must charge the battery.



- The charger should remain close to the electric socket and easily accessible while charging.

Correct disposal

To view more information about device and battery disposal, tap **Apps** → **Settings** → **About device** → **Legal information** → **Safety information**.

Samsung cares for the environment and encourages its customers to recycle Samsung mobile devices and genuine Samsung accessories, and other unwanted electronics, in accordance with local regulations and through an approved recycler.

Proper disposal of your mobile device and its internal Li-ion battery is not only important for safety, it benefits the environment. For safe disposal options of your device, contact your nearest service center.

Note: For safety,

- Do not handle the device if the battery is damaged or leaking
- Never dispose of the device in a fire because the battery may explode.





- To transfer data of the previous device to a new device: Visit www.samsung.com/smartswitch for more information.
- If your device is frozen and unresponsive, press and hold the Power key and the Volume Down key simultaneously for more than 7 seconds to restart it.

You can download and install the firmware update to upgrade your device's software with the firmware over-the-air (FOTA) service. To check for the firmware update, tap **Apps** → **Settings** → **About device** → **Download updates manually**.

The actual available capacity of the internal memory is less than the specified capacity because the operating system and default apps occupy part of the memory. The available capacity may change when you upgrade the device.

Safety information

Read all safety information before using the device to ensure safe and proper use.



Warning

Follow the warning information provided below to prevent incidents such as fire or explosion

- Do not expose the device to physical impact or damage.
 - Do not carry your device in your back pockets or on your waist.
- Use manufacturer-approved chargers, accessories, and supplies.
- Prevent the multipurpose jack from contacting conductive elements, such as metal or liquids.
- Do not touch the charger or the device with wet hands while the device is charging.
- If any part of the device is cracked or broken, stop using the device immediately and take it to a Samsung Service Centre.

Follow the warnings below to prevent injury to people or damage to the device

- Do not allow children or animals to chew or suck the device.
- Do not poke eyes, ears, or other body parts with the device or insert the device into the mouth.
- If the device has a camera flash or light, do not use it close to the eyes of people or animals.
- The device can be used in locations with an ambient temperature of 0°C to 35°C. You can store the device at an ambient temperature of -20°C to 50°C. Using or storing the device outside of the recommended temperature ranges may damage the device or reduce the battery's lifespan.
- Do not store your device near or in heaters, microwaves, cooking equipment, or high pressure containers.
- Keep your device dry.
- Do not use your device outdoors during a thunderstorm.
- Comply with all safety warnings and regulations regarding mobile device usage while operating a vehicle.



To prevent possible hearing damage when using a headset, do not listen to sound at high volume for long periods.

To view the full safety information, tap **Apps** → **Settings** → **About device** → **Legal information** → **Safety information**.

Maintaining water and dust resistance

The device may be damaged if water or dust enters the device. Follow these tips carefully to prevent damage to the device and to maintain the water- and dust-resistant performance of the device.

- Do not immerse the device in water deeper than 1.5 m and keep it submerged for more than 30 minutes.
- Do not expose the device to **water moving with force**.
- If the device is exposed to clean water, dry it thoroughly with a clean, soft cloth. If the device is exposed to other liquids, rinse it with clean water and dry it thoroughly with a clean, soft cloth. If you do not follow these instructions, the device's performance and appearance may be affected.
- **If the device has been immersed in water or the microphone or the speaker is wet**, sound may not be heard clearly during a call. Wipe the device with a dry cloth or dry it thoroughly before using it.
- The touchscreen and other features may not work properly **if the device is used in water**.

Your device has been tested in a controlled environment and certified to be water- and dust-resistant in specific situations (meets requirements of classification IP68 as described by the international standard IEC 60529-Degrees of Protection provided by Enclosures [IP Code]; test conditions: 15-35°C, 86-106 kPa, 5 ft (1.524 m), 30 minutes. Despite this classification, your device is not impervious to water damage in any situation.

Acknowledging Special Precautions and Industry Canada Notice

Cautions

Any changes or modifications to your phone not expressly approved by Samsung could void your warranty for this equipment, and void your authority to operate this equipment. Only use approved batteries, antennas, and chargers. The use of any unauthorized accessories may be dangerous and void the phone warranty if said accessories cause damage or a defect to the phone.

Although your phone is quite sturdy, it is a complex piece of equipment and can be broken. Avoid dropping, hitting, bending, or sitting on it.

Information to User

This equipment has been tested and found to comply with the limits of a Class B digital device. These limits are designed to provide reasonable protection against harmful interference in a residential installation. This equipment generates, uses, and can radiate radio frequency energy and, if not installed and used in accordance with the instructions, may cause harmful interference to radio communications. However, there is no guarantee that interference will not occur in a particular installation; if this equipment does cause harmful interference to radio or television reception, which can be determined by turning the equipment off and on, the user is encouraged to try to correct the interference by one or more of the following measures:

- Reorient/relocate the receiving antenna.
- Increase the separation between the equipment and receiver.
- Connect the equipment into an outlet on a circuit different from that to which the receiver is connected.
- Consult the dealer or an experienced radio/TV technician for help.

Specific Absorption Rate (SAR) certification information

The SAR is a value that corresponds to the relative amount of RF energy absorbed in the head of a user of a wireless handset.

The SAR value of a phone is the result of an extensive testing, measuring and calculation process. It does not represent how much RF the phone emits. All phone models are tested at their highest value in strict laboratory settings. But when in operation, the SAR of a phone can be substantially less than the level reported to Industry Canada. This is because of a variety of factors including its proximity to a base station antenna, phone design and other factors. What is important to remember is that each phone meets strict federal guidelines. Variations in SARs do not represent a variation in safety.

All phones must meet the federal standard, which incorporates a substantial margin of safety. As stated above, variations in SAR values between different model phones do not mean variations in safety. SAR values at or below the federal standard of 1.6 W/kg are considered safe for use by the public.

The highest reported SAR values for the SM-G930W8 are:

Head : 0.60 W/kg

Body : 1.03 W/kg

This phone has been tested and meets RF exposure guidelines when used with an accessory that contains no metal and that positions the mobile device a minimum of 1.5 cm from the body.

Organizations such as the World Health Organization and the US Food and Drug Administration have suggested that if people are concerned and want to reduce their exposure, they could use a hands-free accessory to keep the wireless device away from the head and body during use, or reduce the amount of time spent using the device. For more information, visit www.samsung.com/sar and search for your device with the model number.

IC Notice

This device complies with Industry Canada licence exempt RSS standard(s). Operation is subject to the following two conditions:

1. This device may not cause interference, and
2. This device must accept any interference, including interference that may cause undesired operation of the device.

Some content may differ from your device depending on the region, service provider, or software version, and is subject to change without prior notice.

Copyright © 2016 Samsung Electronics