



PRODUCT ACCESSORIES

(Not Included with TV)

100mm VESA Wall Mount	PD168-003
Remote Control	PD108-427
¼" to 6-Pin Jumper Cable	PD106-416
¼" to ¼" Jumper Cable	PD106-417

VGA IN: Connection to the video output jack on your PC. VGA AUDIO IN: Connect the audio cable from the PC to the AUDIO IN of the set.

NOTE TO CABLE TV INSTALLER

This reminder is provided to call the cable TV systems installer's attention to Article 820-40 of the National Electrical Code. The code provides guidelines for proper grounding and, in particular, specifies that the cable ground shall be connected to the grounding system of the building, as close to the point of the cable entry as practical.

FCC

This equipment has been tested and found to comply with the limits for a Class B digital device, pursuant to part 15 of the FCC Rules. These limits are designed to provide reasonable protection against harmful interference when the equipment is operated in a residential or commercial installation. If this equipment does cause harmful interference to radio or television reception, which can be determined by turning the equipment off and on, the user is encouraged to try to correct the interference by one of more of the following measures:

- Reorient or relocate the receiving antenna.
- Increase the separation between the equipment and receiver.
- Connect the equipment into an outlet on a circuit different from that to which the receiver is connected.
- Consult the dealer or an experienced radio/TV technician for help.

FCC ID: WQ5P26LCDD

This device complies with Part 15 of the FCC Rules.

Operation is subject to the following two conditions:

- (1) this device may not cause harmful interference, and
- (2) this device must accept any interference received, including interference that may cause undesired operation

MAINTENANCE AND SERVICING

Never remove the back cover of the TV; this can expose you to high voltage and other hazards. If the TV does not operate properly, unplug it and call an authorized service center or PDI.

CLEANING AND DISINFECTION

Clean the exterior of this television by removing dust with a lint-free cloth. CAUTION: To avoid damage to the surface of the television, do not use abrasive or chemical cleaning agents.

DISCONNECTING DEVICE FROM MAINS

Main plug is the disconnecting device. The plug must remain readily operable.

SERVICE INSTRUCTIONS

CAUTION: These servicing instructions are for use by qualified service personnel only.

To reduce the risk of electric shock, do not perform any servicing other than contained in the operating instructions unless you are qualified to do so.

PRODUCT MODIFICATION

Do not attempt to modify this product in any way without written authorization. Unauthorized modification could void the user's authority to operate this product.

WARNINGS



CAUTION : To reduce the risk of electric shock do not remove cover (or back). No user serviceable parts inside. Refer servicing to qualified service personnel.



This symbol is intended to alert the user of the presence of uninsulated 'dangerous voltage' within the product's enclosure that may be of sufficient magnitude to constitute a risk of electric shock to persons.



This symbol is intended to alert the user of the presence of important operating and maintenance (servicing) instructions in the literature accompanying the appliance.



OVERHEAD FALLING HAZARD

WARNING: To prevent injury, this apparatus must be securely attached to the wall in accordance with the installation instructions. TVs can pose a striking hazard when mounted at an elevated position.



RAIN AND MOISTURE

WARNING: To avoid the hazards of fire or electrical shock, DO NOT expose this television to rain or moisture.



OXYGEN ENVIRONMENT

WARNING: Do not use in any oxygen tent or oxygen chamber. Such use may cause a fire hazard.



RAIN AND MOISTURE

WARNING: To avoid the hazards of fire or electrical shock, DO NOT expose this television to rain or moisture.



WET LOCATION

Apparatus shall not be exposed to dripping or splashing and no objects filled with liquids, such as vases, shall be placed on the apparatus.

Important Safety Instructions

Important safeguards for you and your new product.

1. Read these instructions.
2. Keep these instructions.
3. Heed all warnings.
4. Follow all instructions.
5. Do not use this apparatus near water.
6. Clean only with dry cloth.
7. Do not block any ventilation openings. Install in accordance with the manufacturer's instructions.
8. Do not install near any heat source such as radiators, heat registers, stove, or other apparatus (including amplifiers) that produces heat.
9. Do not defeat the safety purpose of the polarized or grounding-type plug. A polarized plug has two blades with one wider than the other. A grounding type plug has two plates and a third grounding prong. The wide blade or the third prong is provided for your safety. If the provided plug does not fit into your outlet, consult an electrician for replacement of the obsolete outlet.
10. Protect the power cord from being walked on or pinched particularly at plugs, convenience receptacles, and the point where they exit from the apparatus.
11. Only use attachments/accessories specified by the manufacturer.
12. Use only with the cart, stand, tripod, bracket or table specified by the manufacturer, or sold with the apparatus. When a cart is used, use caution when moving the cart / apparatus combination to avoid injury from tip-over.
13. Unplug this apparatus during lightning storms or when unused for long period of time.
14. Refer all servicing to qualified service personnel. Servicing is required when the apparatus has been damaged in any way, such as power-supply cord or plug is damaged, liquid has been spilled or objects have fallen into the apparatus, the apparatus has been exposed to rain or moisture, does not operate normally, or has been dropped.



Copyright, Disclaimer, & Trademarks

COPYRIGHT

PDi Communication Systems, Inc. claims proprietary right to the material disclosed in this user guide. This guide is issued for user information only and may not be used to manufacture anything shown herein. Copyright 2008 by PDi Communication Systems, Inc. All rights reserved.

DISCLAIMER

The author and publisher have used their best efforts in preparing this guide. PDi Communication Systems, Inc. make no representation or warranties with respect to the accuracy or completeness of the contents of this guide and specifically disclaim any implied warranties or merchantability or fitness for any particular purpose and shall in no event be liable for any loss of profit or any other damages. The information contained herein is believed accurate, but is not warranted, and is subject to change without notice or obligation.

TRADEMARKS

Manufactured under license from Dolby Laboratories. Dolby and the double-D symbol are trademarks of Dolby Laboratories.

All other brand names and product names used in this guide are trademarks, registered trademarks, or trade names of their respective holder. PDi and Better Solutions Are Within Reach are registered trademarks of PDi Communication Systems, Inc., Springboro, Ohio.

LOCATION GUIDELINES

The model PDI-P26LCDD Hospital LCD TV is a specialized LCD television. This TV is intended for entertainment and educational purposes for use in a hospital, a nursing home, a medical-care center, or a similar health-care facility in which installation is limited to a non-hazardous area in accordance with the National Electrical Code, ANSI/NFPA 70. The PDI-P26LCDD is designed for mounting to PDI manufactured mounts. Installation of the TV on a non-PDI approved mount is not recommended.



WARNING: The TV's VESA mounting holes are designed for M6 metric screws. M4 metric screws can be used with the M6-to-M4 adaptor provided and installed. Use of a non-PDI approved mount or SAE hardware could result in a condition where the TV

could unexpectedly fall and cause injury or death.

The PDI-P26LCDD TV mounts on the wall at the foot of a patient's bed. Select a location that is near an AC wall outlet and that does not expose the TV to bright room lights or sunlight if possible. The LCD TV also requires connection of both CATV cable signal and across-room wiring for the pillow speaker.

CABLE SYSTEM GROUNDING

The coax cable system connected to the PDI-P26LCDD TV should be grounded in accordance with the National Electrical Code, ANSI/NFPA 70. The code provides guidelines for proper grounding and, in particular, specifies that the cable ground shall be connected to the grounding system of the building, as close to the point of the cable entry as practical.

WALL MOUNTING WITH PD168-003 STANDARD WALL BRACKET (Not supplied with TV)

1. Refer to Figure 1. Select a location on the wall approximately 9 inches below the ceiling. NOTE: Do not locate AC, Across-Room Wiring, and CATV Signal outlets below the Wall Bracket's location as it will cause clearance issues and interfere with the TV's cabinet when mounted to the bracket. Position the Wall Bracket and locate two mounting holes. Secure the bracket to the wall (mounting hardware is not included).
2. Refer to Figure 2. The TV can be mounted with 6 mm hardware (Not Provided) using a compatible mount. To use 4 mm hardware, please screw a M6-to-M4 adaptor (4 provided) into each of the four mounting holes located on the back of the TV. Position the Back Mount on the LCD TV cabinet. Attach with four M6 x 10mm screws provided with the mount.
3. Mate the Back Mount to the Wall Bracket making sure the pivot pins are retained in the "U" shaped slot. Using the pilfer security driver packed with the hardware, secure with two 10x32 pilfer screws.
4. Connect the AC line cord, Pillow Speaker Jumper Cable, and CATV Coax Cable.
5. The TV's tilt can be adjusted by loosening both Pilfer Screws, adjusting tilt, and then tighten.

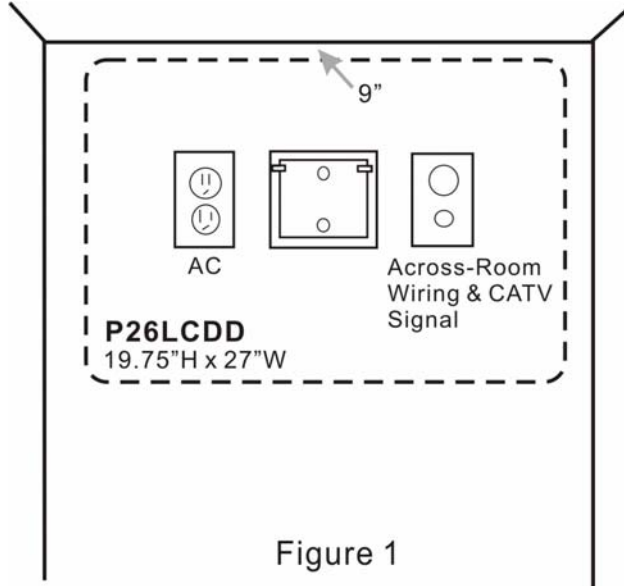


Figure 1

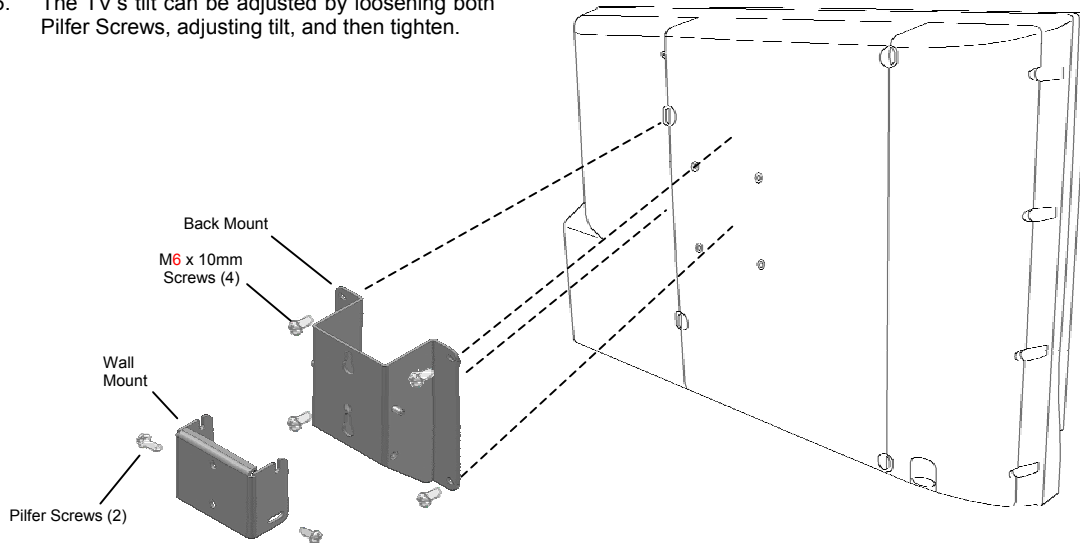
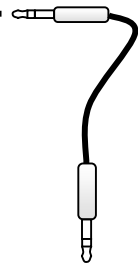
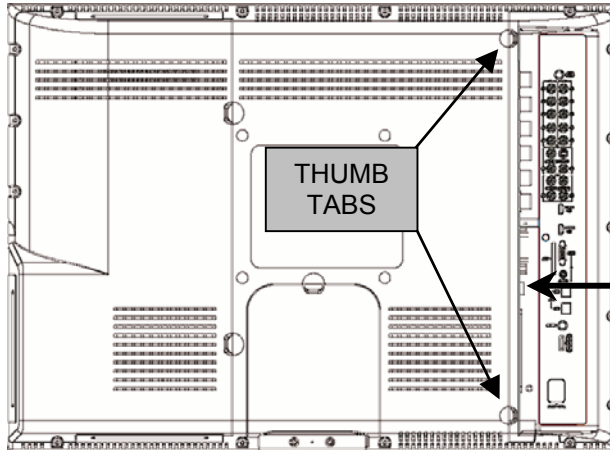


Figure 2

ACROSS ROOM WIRING

A 1/4" stereo style pillow speaker (pendant control) jack is located on the TV's connector panel behind the removable access cover. This cover can be removed without the use of hand tools by depressing both thumb tabs.

This TV is designed to work with either a digital pillow speaker that generates digital style control codes or a single-button analog (switch-style) pillow speaker. A rear panel mounted switch allows use of different brands of pillow speakers and supports; Zenith, Philips, and RCA compatible pillow speakers.



To Wall Plate Pillow Speaker Connection

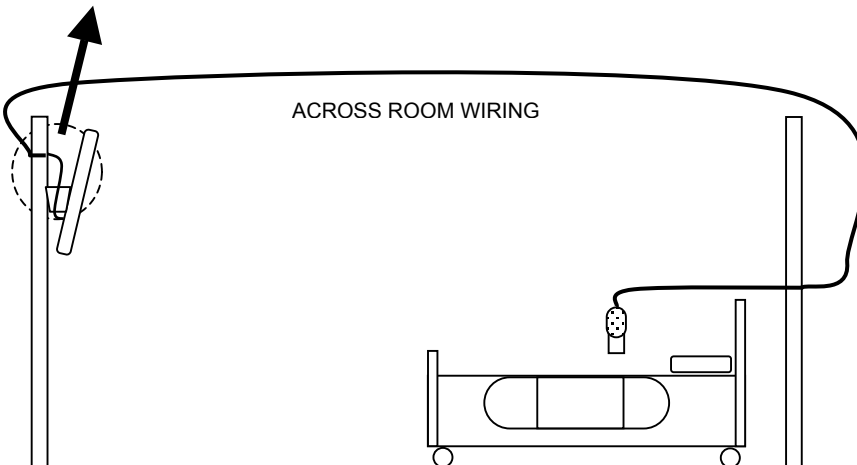
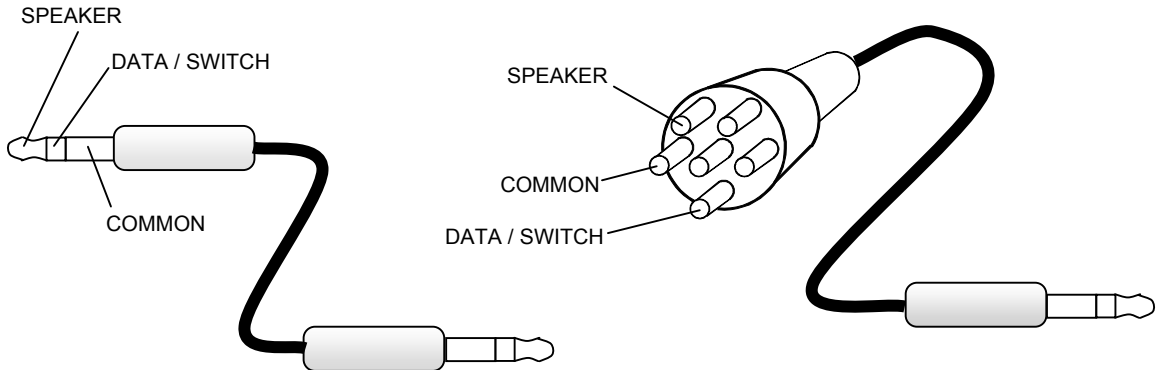


WARNING: DO NOT connect the pillow speaker circuit Common to earth ground. Grounding of the Common will defeat the isolation circuitry of the television and possibly expose the patient to harmful shock currents should a wiring fault occur.

NOTE: A Jumper Cable is NOT supplied with the TV and must be ordered separately.

1/4" to 1/4" Jumper Cable
PD106-417

1/4" to 6-Pin Jumper Cable
PD106-416

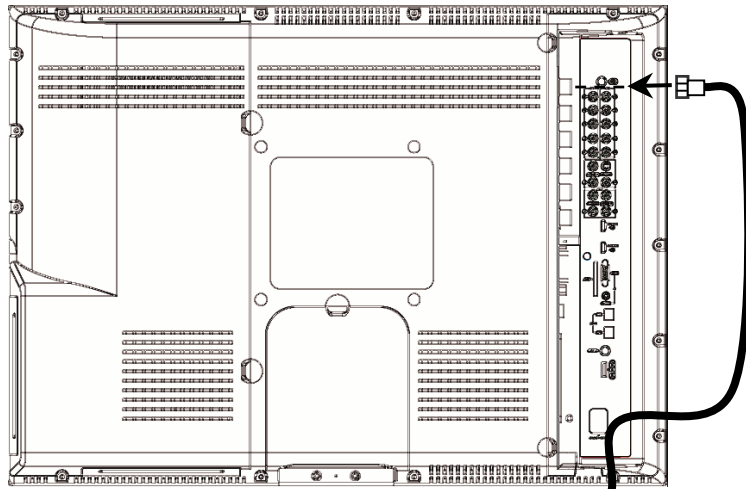


Antenna “ANT” Connection

An “F” style jack is located on the TV’s connector panel behind the removable access cover.



CAUTION: Some hospital cable systems provide power voltage on the coaxial cable. This TV is **NOT** designed to be powered via a coaxial cable. Do not connect to a powered coaxial cable. Damage will result to the TV.



Hospital Coax Cable

AC POWER

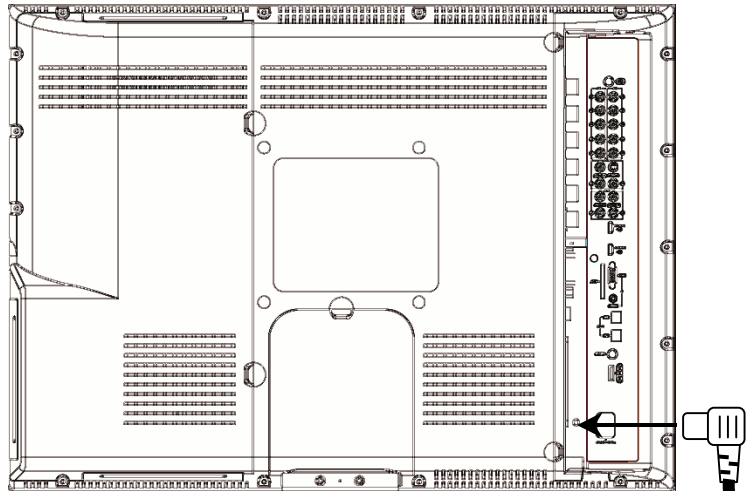
A right-angled AC power cord is supplied with each TV.

Connect the AC plug into the TV’s AC jack before connecting the AC power cord to a powered outlet.

CABLE ROUTING

Route all cables through the opening located at the bottom of the cabinet.

Then re-attach the back access cover before operating the television.

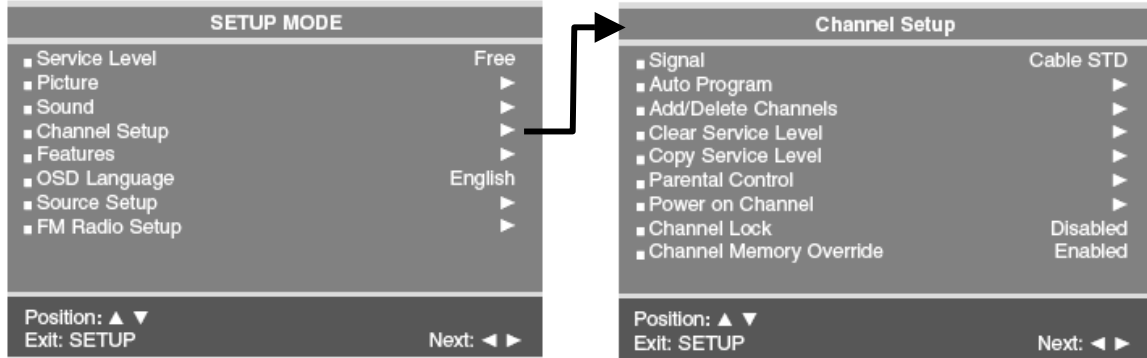


PROGRAMMING

NOTE: The remote control (PD108-427) is also performed all setup operations for the television and a password is needed to enter the setup mode. The following instructions assume you have correctly mounted the TV, wired an external pillow speaker, and connected an RF coax cable signal, and AC power cord to the TV.

Channel Setup

The TV offers three different programmable channel banks or Service Levels to program. Only one Service Level is usable at a time.

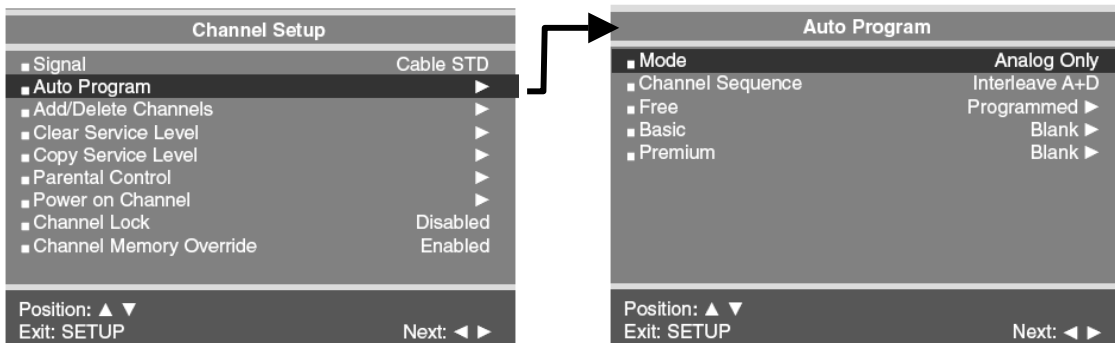


Four different tuning types are available depending upon the healthcare facilities' signal style. Selection of the correct signal type is required for the TV to recognize all possible channels and before any channel programming can begin.

1. Press the SETUP button to display the SETUP MODE menu.
2. Press the ▲/▼ direction button to select Signal.
3. Press ◀/▶ direction to select Air, Cable STD, Cable IRC or Cable HRC. NOTE: Most hospitals use the Cable STD signal style.

Auto Program

The TV automatically scans each available channel for activity. Channels that display activity are memorized into the selected Service Level.



1. Press the SETUP button to display the SETUP MODE menu.
2. Press the ▲/▼ direction button to select Mode.
3. Press ◀/▶ direction to set the scope of channel scanning.
Analog Only: TV searches for analog channels only.
Digital Only: TV searched for digital channels only.
Analog and Digital: TV searches for both analog and digital channels.
4. Press the ▲/▼ direction button to select the Channel Sequence menu item.
5. Press ◀/▶ direction to set the Channel Sequence in which the channels are displayed after searching.
Interleave A+D: In the order of channel number regardless of the system.
All A then D: Digital channels are displayed after all analog channels.
6. Press the ▲/▼ direction button to select the Service Level you wish to program. The menu displays the current programming status of each level as either Programmed or Blank. NOTE: A Programmed service level can also be re-programmed if desired.
7. Press the ▶ direction button to start auto programming.

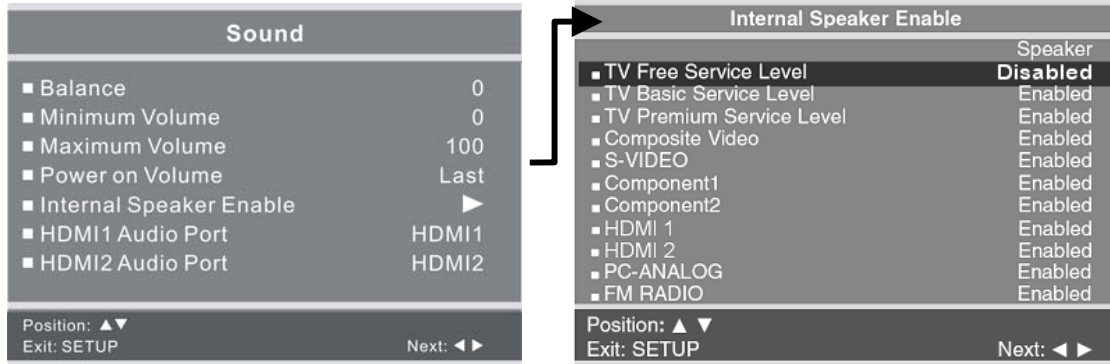
- A confirmation menu will appear before proceeding. Press either the ▲ direction to start auto programming. Press ▼ direction button to cancel the operation. The TV will now search all available channels. Press the SETUP button to return to normal TV viewing.

SOUND PROGRAMMING

Most hospital installations utilize a remotely wired pillow speaker. The following instructions customize the sound to the attached pillow speaker.

Internal Speaker Enable

The speaker's inside the TV's cabinet are normally silenced and sound is routed externally to the attached pillow speaker.



- In the Sound menu, press ▲/▼ direction button to select the Internal Speaker Enable menu item.
- Press the ▲/▼ direction button to select the desired Service Level(s) or Sources.
- Press ◀/▶ direction to select Disabled and turn off the TV's internal speakers.
- Press the SETUP button to return to the preceding menu.

Minimum Volume

For pillow speakers with an adjustment thumbwheel volume control, always set a minimum volume level for the TV. Set this level to any value other than 0 guarantees that some level of sound will always be heard when the TV is operating. A minimum volume setting is usually not required for pillow speaker's with dedicated Volume up and down buttons.

- In the Sound menu, press the ▲/▼ direction button to select Minimum Volume.
- Press the ◀/▶ direction button to select your preferred minimum volume with the TV turns on.
- Press the SETUP button to return to the preceding menu.

Power On Volume

Sets the initial volume the TV starts at upon powering on. Once the TV is on, the volume can be set to any allowable level.

- In Sound menu, press the ▲/▼ direction button to select Power on Volume.
- Press the ◀/▶ direction button to determine your preferred volume when the TV turns on. Setting the level to LAST causes the TV to remember the last volume level used by the TV prior to turning off.
- Press the SETUP button to return to the preceding menu.

Additional Information

Additional information is available in the user manual. Please request document number PD196-126.