

# Operating Instructions

## STEREO RECEIVER SX-303R SX-253R SX-203

Thank you for buying this Pioneer product. Please read through these operating instructions so you will know how to operate your model properly. After you have finished reading the instructions, put them away in a safe place for future reference.

In some countries or regions, the shape of the power plug and power outlet may sometimes differ from that shown in the explanatory drawings. However, the method of connecting and operating the unit is the same.

### WARNING:

TO PREVENT FIRE OR SHOCK HAZARD, DO NOT EXPOSE THIS APPLIANCE TO RAIN OR MOISTURE.

### IMPORTANT NOTICE

#### [For U.S. and Canadian models]

The serial number for this equipment is located on the rear panel. Please write this serial number on your enclosed warranty card and keep it in a secure area. This is for your security.

#### [For Canadian models]

### CAUTION:

TO PREVENT ELECTRIC SHOCK DO NOT USE THIS (POLARIZED) PLUG WITH AN EXTENSION CORD, RECEPTACLE OR OTHER OUTLET UNLESS THE BLADES CAN BE FULLY INSERTED TO PREVENT BLADE EXPOSURE.

### ATTENTION:

POUR PREVENIR LES CHOCS ELECTRIQUES NE PAS UTILISER CETTE FICHE POLARISEE AVEC UN PROLONGATEUR UNE PRISE DE COURANT OU UNE AUTRE SORTIE DE COURANT, SAUF SI LES LAMES PEUVENT ETRE INSEREES A FOND SANS EN LAISSER AUCUNE PARTIE A DECOUVERT.

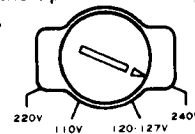
### TWO VOLTAGE SELECTOR SWITCHES

Only multi-voltage models are provided with these switches. U.S. Canadian models are not provided with these switches.

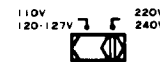
Main voltages in Saudi Arabia are 127 V and 220 V only. Never use this model with 110 V setting in Saudi Arabia.

The line voltage selector switches are on the rear panel. Before your model is shipped from the factory, these switches are set to the power requirements of the destination. Check that they are set properly before plugging the power cord into the AC outlet. If the voltage is not properly set or if you move to an area where the voltage requirements differ, adjust the selector switches as follows.

1. Disconnect the power cord.
2. Use a medium-size screwdriver.
3. Insert the screwdriver into the groove on the voltage selectors and adjust so that the tip of the allow points to the voltage value of your area.



Set the voltage selector switch to the voltage in your area (only SX-303R).



### Information to User

Alteration or modifications carried out without appropriate authorization may invalidate the user's right to operate the equipment.

## CONTENTS

CHECKING ACCESSORY ITEMS .....	3	LISTENING TO THE BROADCAST .....	9
CONNECTIONS .....	3	DIRECT ACCESS TUNING .....	10
REAR PANEL FACILITIES .....	5	PRESET TUNING .....	11
FRONT PANEL FACILITIES .....	6	TO LISTEN TO OTHER MUSIC SOURCES .....	13
REMOTE CONTROL UNIT FACILITIES .....	8	TAPE RECORDING .....	13
SETTING THE UNIT PRIOR TO OPERATION .....	9	TROUBLESHOOTING .....	14
GRAPHIC EQUALIZER CONTROLS .....	9	SPECIFICATIONS .....	15

# IMPORTANT



The lightning flash with arrowhead, within an equilateral triangle, is intended to alert the user of the presence of uninsulated "dangerous voltage" within the product's enclosure that may be of sufficient magnitude to constitute a risk of electric shock to persons.



**CAUTION:**  
**TO PREVENT THE RISK OF ELECTRIC SHOCK, DO NOT REMOVE COVER (OR BACK). NO USER-SERVICEABLE PARTS INSIDE. REFER SERVICING TO QUALIFIED SERVICE PERSONNEL.**



The exclamation point within an equilateral triangle is intended to alert the user of the presence of important operating and maintenance (servicing) instructions in the literature accompanying the appliance.

# SAFETY INSTRUCTIONS

**READ INSTRUCTIONS** - All the safety and operating instructions should be read before the appliance is operated.

**RETAIN INSTRUCTIONS** - The operating instructions should be retained for future reference.

**HEED WARNING** - All warnings on the appliance and in the operating instructions should be adhered to.

**FOLLOW INSTRUCTIONS** - All operating and use instructions should be followed.

**WATER AND MOISTURE** - The appliance should not be used near water - for example, near a bathtub, washbowl, kitchen sink, laundry tub, in a wet basement, or near a swimming pool, etc.

**LOCATION** - The appliance should be installed in a stable location.

**WALL OR CEILING MOUNTING** - The appliance should not be mounted to a wall or ceiling.

**VENTILATION** - The appliance should be situated so that its location or position does not interfere with its proper ventilation. For example, the appliance should not be situated on a bed, sofa, rug, or similar surface that may block the ventilation openings; or, placed in a built-in installation, such as a bookcase or cabinet that may impede the flow of air through the ventilation openings.

**HEAT** - The appliance should be situated away from heat sources such as radiators, heat registers, stoves, or other appliances (including amplifiers) that produce heat.

**POWER SOURCES** - The appliance should be connected to a power supply only of the type described in the operating instructions or as marked on the appliance.

**POWER-CORD PROTECTION** - Power-supply cords should be routed so that they are not likely to be walked on or pinched by items placed upon or against them, paying particular attention to cords at plugs, convenience receptacles, and the point where they exit from the appliance.

**POLARIZATION** - If your purchased product is provided with a polarized power plug, please read the following instructions. This product is equipped with a polarized alternating current line plug (a plug having one blade wider than the other). This plug will fit into the power outlet only one way. This is a safety feature. If you are unable to insert the plug fully into the outlet, try reversing the plug. If the plug should still fail to fit, contact your electrician to replace your obsolete outlet. Do not defeat the safety purpose of the polarized plug.

**CLEANING** - The appliance should be cleaned only with a polishing cloth or a soft dry cloth. Never clean with furniture wax, benzene, insecticides or other volatile liquids since they may corrode the cabinet.

**POWERLINES** - An outdoor antenna should be located away from power lines.

**NONUSE PERIODS** - The power cord of the appliance should be unplugged from the outlet when left unused for a long period of time.

**OBJECT AND LIQUID ENTRY** - Care should be taken so that objects do not fall and liquids are not spilled into the enclosure through openings.

**DAMAGE REQUIRING SERVICE** - The appliance should be serviced by a Pioneer authorized service center or qualified service personnel when:

- The power-supply cord or the plug has been damaged; or
- Objects have fallen, or liquid has been spilled into the appliance; or
- The appliance has been exposed to rain; or
- The appliance does not appear to operate normally or exhibits a marked change in performance; or
- The appliance has been dropped; or on the enclosure damaged.

**SERVICING** - The user should not attempt to service the appliance beyond that described in the operating instructions. For all other servicing, contact the nearest Pioneer authorized service center.

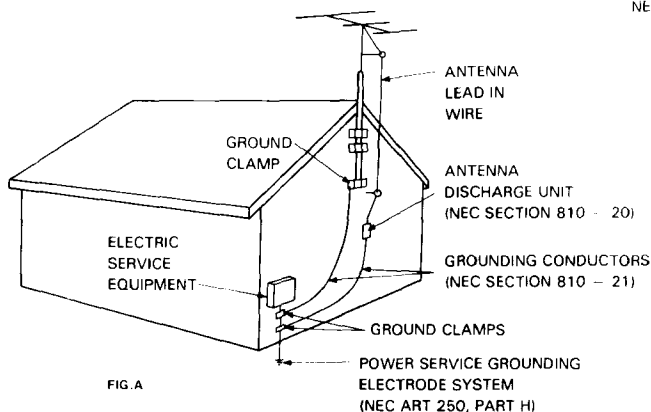
**OUTDOOR ANTENNA GROUNDING** - If an outside antenna is connected to the antenna terminal, be sure the antenna system is grounded so as to provide some protection against voltage surges and built up static charges.

In the U.S.A. section 810 of the National Electrical Code, ANSI/NFPA No. 70-1984, provides information with respect to proper grounding of the mast and supporting structure, grounding of the lead-in wire to an antenna discharge unit, size of grounding conductors, location of antenna discharge unit, connection to grounding electrodes, and requirements for the grounding electrode. See Fig. A.

**CART** - An appliance and cart combination should be moved with care. Quick stops, excessive force, and uneven surfaces may cause the appliance and cart combination to overturn.



NEC NATIONAL ELECTRIC CODE



## CHANNEL STEP SWITCH (Multi-voltage model only)

The unit has been factory preset to the channel allocation and deemphasis value for the area in which it is to be sold. If these values are set incorrectly, the frequency display may stop at the wrong frequency, or sound may be distorted, resulting in an inability to reproduce reception signals at their proper sound quality. For this reason, be sure to confirm that the values are set correctly before first using the unit.

### [100 kHz/10 kHz] position:

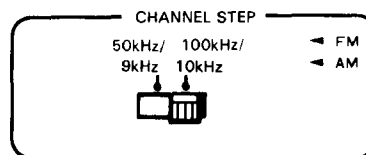
Set to this position for areas with an FM reception step of 100 kHz, AM 10 kHz.

### [50 kHz/9 kHz] position:

Set to this position, for areas with an FM reception step of 50 kHz, AM 9 kHz.

### NOTE:

When unsure about the channel allocation and deemphasis values for your area, consult your dealer for correct information.



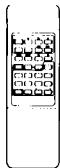
# CHECKING ACCESSORY ITEMS



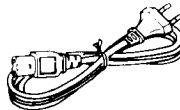
FM Antenna



AM Loop Antenna



Remote control unit  
[SX-303R/SX-253R]



Power cord



Dry cell battery (SIZE "AA" (R6P))  
[SX-303R/SX-253R]

## CONNECTIONS

### Setting up the AM Antenna

- Insert the claw on the bottom of the antenna into the hole in the leg.
- Place the antenna on a level surface and rotate it to locate the orientation that yields the best reception.
- Use the attachment hole in the leg to screw to wall or other location, then insert the claw on the bottom of the antenna into the hole in the leg (fixing the antenna in the direction that gives the best reception).

① Lead wire      ② Leg      ③ Lead wire

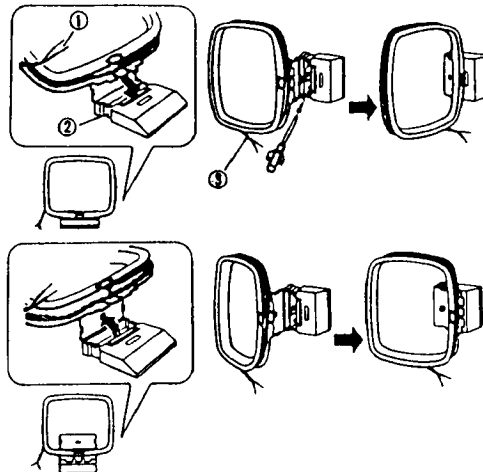
#### NOTE FOR FM ANTENNA:

Stretch the antenna out to its full length, and affix it to a wall, etc.

#### NOTE FOR AM LOOP ANTENNA:

The antenna should be placed at a distance from the receiver, and should not be allowed to touch metallic objects.

Avoid placing it near CD players, personal computers, television sets, and other devices generating radio frequencies.



### EXTERNAL FM ANTENNA

The main advantage of FM over AM is the quality of the broadcast signal. In order to benefit fully from the high signal quality of FM broadcasts, it is recommended that a special-purpose FM antenna be installed. In weak signal areas, a multi-element (3 element, 5 element, 7 element, etc.) antenna should be used.

### FM OUTDOOR ANTENNA CONNECTIONS

There are two ways of connecting the FM antenna to the antenna input terminals: with a 300 Ω twin-lead feeder or with a 75 Ω coaxial cable.

To get the most from the receiver performance, a 75 Ω coaxial cable is recommended since it is more immune than the twin-lead feeder to noise and interference from external sources. If an FM antenna has already been erected outdoors, connect it, referring to the figure.

### GROUNDING

Grounding is recommended if reception of FM programs is impaired by noise. To ground, connect a thick polyvinyl insulated wire to the GND terminal and attach the other end to a metal water pipe or grounding bar or wind it around a copper plate and bury it.

#### NOTE:

Never connect a wire to a gas pipe for grounding since sparks may ignite the gas.

### EXTERNAL AM ANTENNA

If it is not possible to obtain adequate AM reception even by changing the orientation of the AM loop antenna, a separate indoor antenna, or an outdoor antenna should be installed.

### INDOOR AM ANTENNA

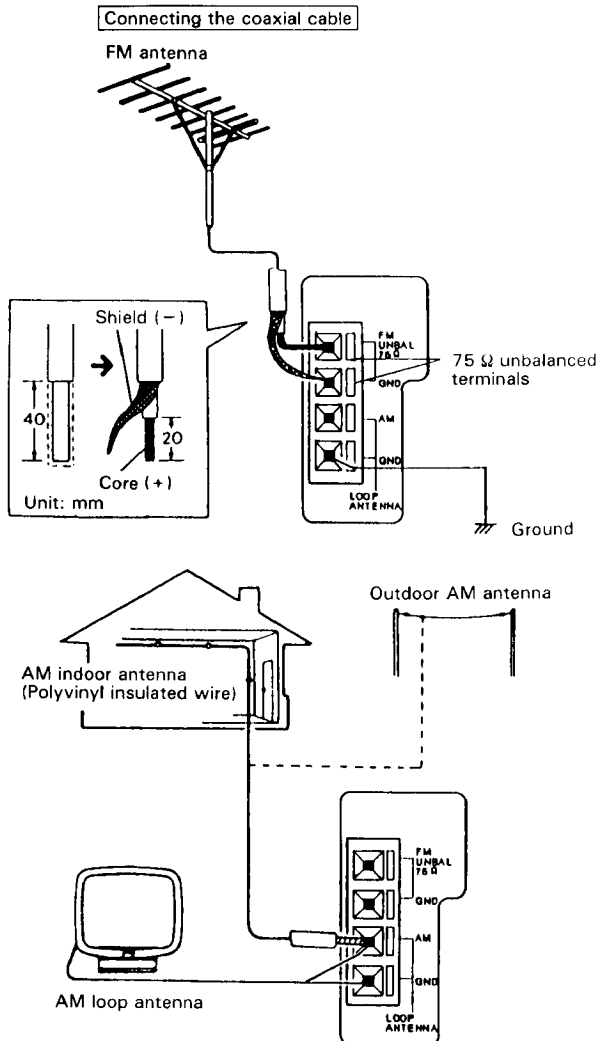
Use a polyvinyl insulated wire (5 – 6m:17 – 20 feet) and connect one end to the AM antenna terminal and affix the other end to the wall or ceiling, as high as possible.

### OUTDOOR AM ANTENNA

If reception quality is not improved sufficiently even when an indoor antenna is used, a polyvinyl insulated wire should be installed outside and fixed in place.

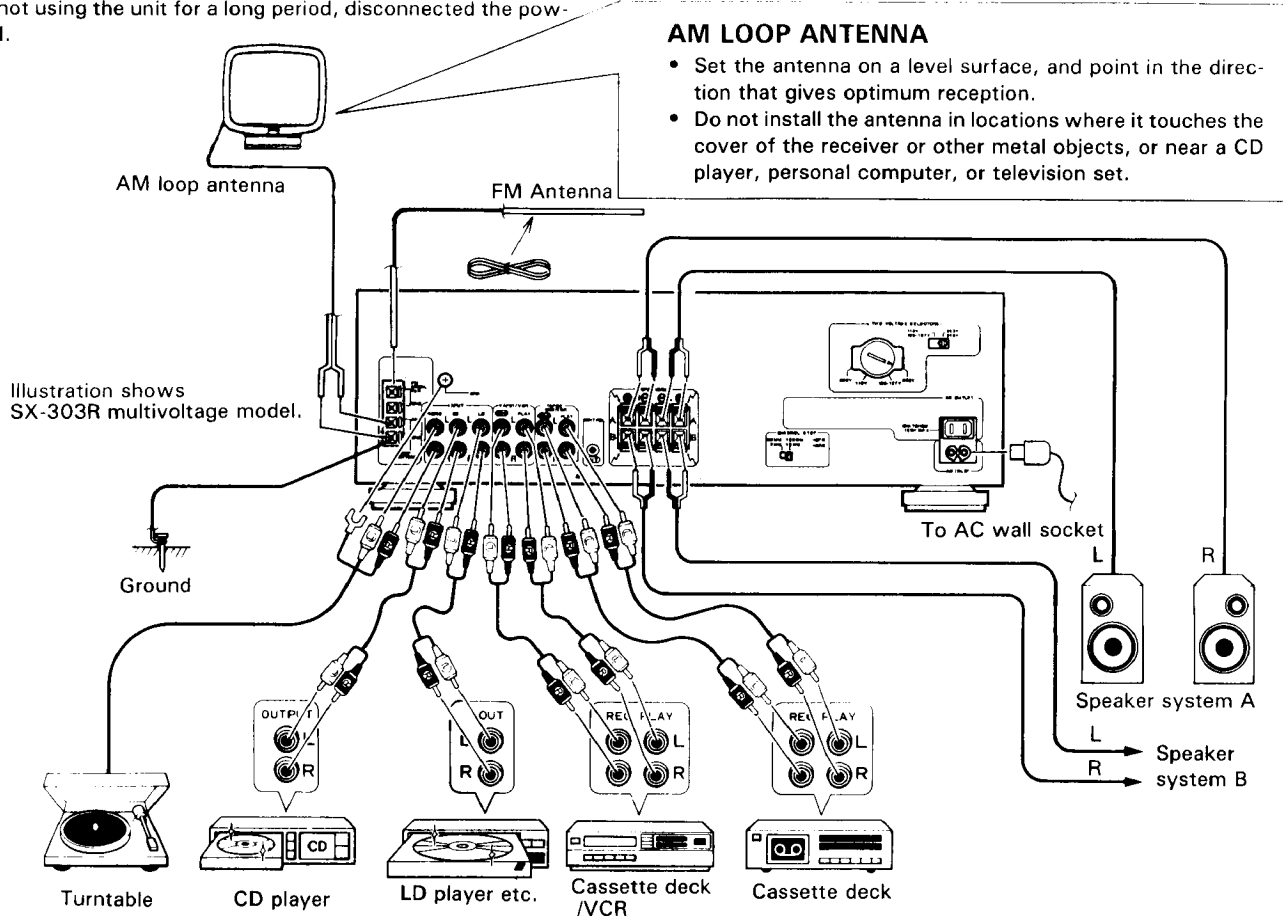
#### NOTE:

Do not detach the AM loop antenna when using an indoor or an outdoor AM antenna.



## CONNECTIONS

When not using the unit for a long period, disconnected the power cord.

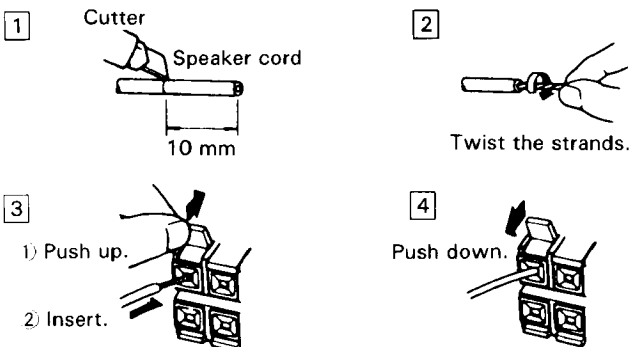


### Connecting the input/output cords

When another stereo component (purchased separately) is connected note the following instructions.

- Connect the plugs properly. Faulty connections can cause noise and also breakdowns and failures.
- The white terminal is for the left channel and the red terminal is for the right channel.

### Connecting the speaker cords

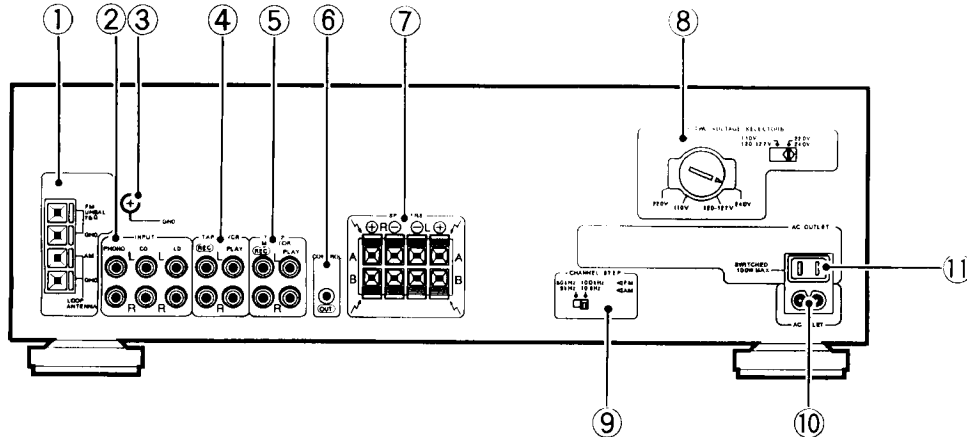


### NOTE ABOUT SPEAKER CONNECTIONS

- Speaker systems used should have an impedance of between 8  $\Omega$  and 16  $\Omega$ .
- Be sure that connections are secure. Check to make sure that wires do not protrude from their terminals.
- Do not allow the speaker cords to short-circuit. Damage may result to your unit.
- Do not attempt to connect two sets of speakers to a single side (A or B). When using two sets of speakers, connect one set to side A and one set to side B.

# REAR PANEL FACILITIES

• The illustration shows SX-303R multi-voltage model.



## 1) FM/AM ANTENNA terminals

Use these antenna terminals for receiving FM and AM broadcasts.

## 2) INPUT jacks

PHONO ..... Connect to the output cables from a turntable.  
 CD ..... Connect to the output jacks of a compact disc player.  
 LD ... Connect to the output jacks of an LD player or another unit.

## 3) GND terminal

Connect to the ground lead of a turntable.  
 Use a screwdriver to connect with the ground terminal.

## 4) TAPE 1/VCR jacks

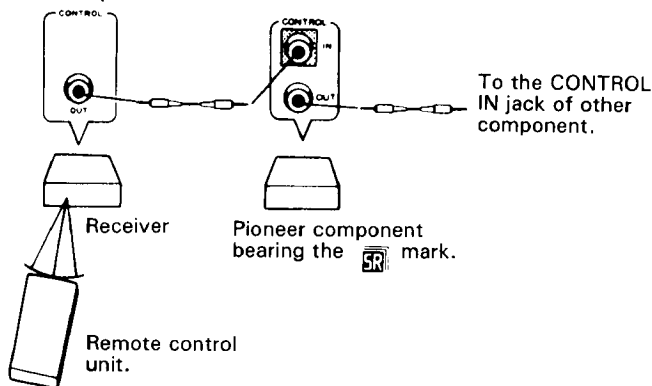
Connect these jacks to the cassette deck or video cassette recorder.

## 5) TAPE 2/MONITOR jacks

Connect these jacks to the cassette deck.

## 6) CONTROL OUT jacks (SX-303R, SX-253R only)

Connect this jack to other Pioneer components bearing the mark when using the remote control of this unit to control the other components.



## 7) SPEAKERS terminals

A: Connect to a first set speakers.  
 B: Connect to a second set of speakers.

### NOTE:

No sound will be heard through the speakers when both A and B buttons are depressed if only one set of speakers has been connected to either A or B SPEAKERS terminals.

## 8) VOLTAGE SELECTORS (See page 1) (multi-voltage models only)

## 9) CHANNEL STEP switch (See page 2) (Multi voltage models only)

## 10) AC INLET

Connect the power cord first to the unit, then plug it into the AC wall outlet.

## 11) AC OUTLET

(SX-303R: U.S. and Canadian models have 2 AC outlets.)

### AC OUTLET

#### SWITCHED 100 W MAX

Power supplied through this outlet is turned on and off by the receiver's POWER switch. Electrical power consumption of the connected equipment should not exceed 100 W (0.8 A MAX).

The equipment should be disconnected by removing the mains plug from the wall socket when not in regular use, e.g. when on vacation.

#### [U.S. and Canadian models only]

#### UNSWITCHED 100 W MAX (0.8A MAX)

Power flows continually to this outlet, regardless of whether the receiver's POWER switch is ON or OFF. Electrical power consumption of the connected equipment should not exceed 100 W (0.8A MAX).

The equipment should be disconnected by removing the mains plug from the wall socket when not in regular use, e.g. when on vacation.

### CAUTION:

DO NOT CONNECT MONITOR OR TV SET.

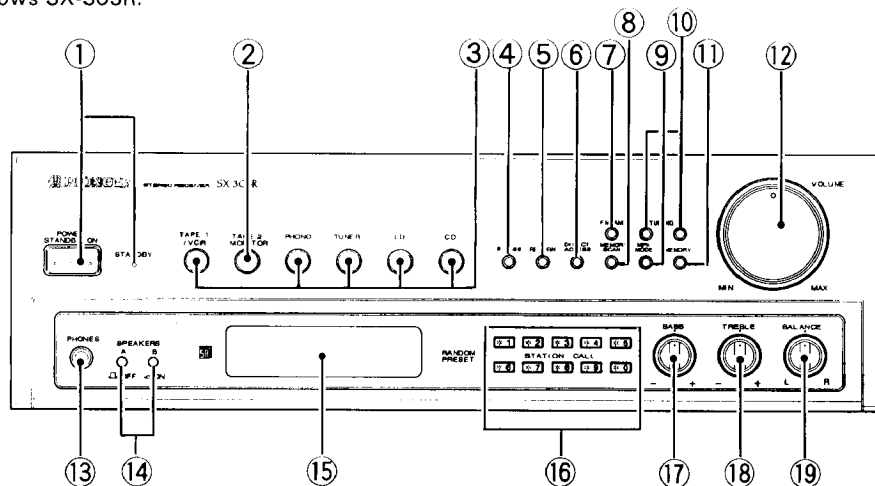
### NOTE:

Do not connect appliances with high power consumption such as heaters, irons, or television sets to the AC OUTLET, in order to avoid overheating or fire risk.

This can cause the receiver to malfunction.

# FRONT PANEL FACILITIES

- The illustration shows SX-303R.



## 1) POWER (STANDBY/ON) switch/STANDBY indicator(SX-303R, SX-253R)

This is the switch for electric power.

**ON:** When set to the ON position, power is supplied and the unit becomes operational.

**STANDBY:** When set to the STANDBY position, the main power flow is cut and the unit is no longer fully operational. A minute flow of power feeds the unit to maintain operation readiness. The STANDBY indicator is illuminated during standby mode.

- The accessory remote control unit can also be used to operate STANDBY/ON.

### NOTE:

When the power is initially turned ON, muting will be applied to prevent sound from being output for approx. 5 seconds.

## ① POWER switch/POWER indicator (SX-203)

When this switch is pressed, power is supplied to the unit and the indicator lights up.

Press the switch again to turn power OFF.

[Timer ON/OFF possible]

When the unit is switched ON, ON/OFF control can be performed by means of the optional timer.

### NOTE:

When the power is initially turned ON, muting will be applied to prevent sound from being output for approx 5 seconds.

## ② TAPE 2 MONITOR button

Press when listening to tape playback with the cassette deck 2.

## ③ Function buttons

Use to select playback source.

**[TAPE 1/VCR]** – Press when listening to tape playback with the cassette deck 1 or video cassette recorder.

**[PHONO]** – Press when listening to record playback on a turntable.

**[TUNER]** – Press when listening to AM or FM broadcasts with a tuner.

**[LD]** – Press when listening to programs from a component connected to the LD jacks.

**[CD]** – Press when listening to compact disc playback with a CD player.

## ④ S.BASS button (Super BASS)

When this button is pressed, the bass sound will be emphasized.

## ⑤ RETURN button

This is helpful during troubleshooting or when no sound is output. Pressing this button returns the receiver to the following settings, the sound level being controlled by VOLUME control.

- TAPE 2 MONITOR OFF
- FUNCTION TUNER
- BAND FM/AM\*

\* The last FM/AM broadcast you were listening to will be received. When reception is not possible, search begins for frequency that can be received.

### NOTE:

If no sound is output after the RETURN button is pressed, make sure that SPEAKERS switches are turned on.

## ⑥ DIRECT ACCESS tuning button

When this button is pressed, the STATION CALL buttons function as ten-key number buttons for direct input of the desired reception frequency. Press again to cancel this mode.

If the input station fall outside of the receiver's tuning range, the display section will display a message: "UPPER" if the frequency is too high and "LOWER" if it is too low (see page 10).

## ⑦ FM/AM selector button

This button is used to select either AM or FM reception.

## ⑧ MEMORY SCAN button

This button is used for station memory scan.

**⑨ MPX MODE selector button**

Use to select the auto stereo mode or monaural mode when listening to FM broadcasts. The monaural mode has been selected when the MONO indicator is lighted.

**Auto stereo mode:**

Normally leave in this mode for reception. When a stereo FM broadcast is received, it will be automatically reproduced in stereo sound.

**Monaural mode:**

When receiving distant stations or stations with weak broadcast signals, the input signal may be weak, thus resulting in increased noise during FM stereo broadcasts. In this event, setting the receiver to the monaural mode will reduce the noise. In this case, however, FM stereo broadcasts will be reproduced in monaural sound.

**NOTE:**

This button has no effect on reception of AM broadcasts.

**⑩ TUNING buttons (-, +)**

+: The FM or AM band is scanned in the direction of increasing frequency.

-: The opposite operation to that of the UP button takes place.

**⑪ MEMORY button**

When the unit is in the frequency display mode, pressing this button will result in the memorization of the current broadcast band, reception frequency, and FM AUTO/MONO mode.

**⑫ VOLUME control**

Use to adjust volume level.

**⑬ PHONES jack**

Connect the plug on your headphones to this jack. To listen to a program through the headphones, set both SPEAKERS A and B switches to the OFF position.

**⑭ SPEAKERS (  OFF,  ON) buttons**

These are used to select the speaker through which you wish to listen.

**A:** When the speakers connected to A terminals are in use.

**B:** When the speakers connected to B terminals are in use.

- Turn both A and B speakers to OFF position when only the headphones are in use.

**NOTE:**

No sound will be heard through the speakers when both A and B buttons are pressed if only one set of speakers has been connected to either A or B SPEAKERS terminals.

**⑮ OPERATION DISPLAY panel**

(a) TAPE 2 monitor indicator.

(b) MEMORY indicator

(c) S.BASS indicator

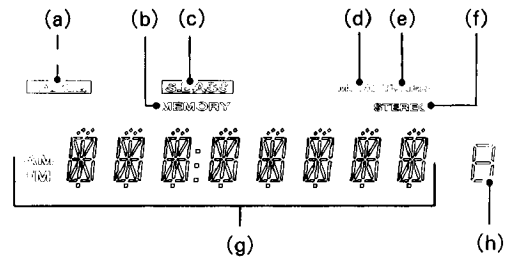
(d) MONO indicator

(e) TUNED indicator

(f) STEREO indicator

(g) Indicates the function or frequency by the function switches.

(h) Indicates channel (STATION CALL number) and sleep time.

**⑯ STATION CALL buttons**

These buttons are used to preset recall desired broadcasting stations and direct access tuning.

**⑰ BASS tone control**

Use to adjust the low-frequency tone. The center position is the flat(normal) position. When tuned to the right, low-frequency tones are emphasized.

**⑱ TREBLE tone control**

Use to adjust high-frequency tone. The center position is the flat(normal) position. When tuned to the right, high-frequency tones are emphasized.

**⑲ BALANCE control**

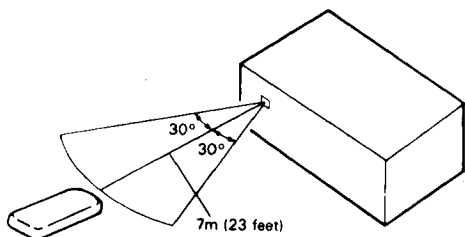
Should normally be left in the center position. Adjust balance if the sound is louder from one of the speakers. If the right side is louder, turn toward the L position and if the left side is louder, turn toward the R position.

# REMOTE CONTROL UNIT FACILITIES [SX-303R/SX-253R]

## REMOTE CONTROL RANGE

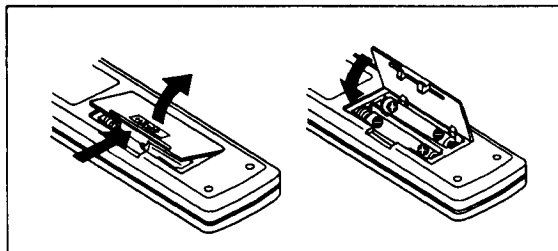
When operating the remote control unit, point the front of the unit at the front panel of the receiver. The remote control unit may be used within a range of about 7 meters (23 feet) from the remote sensor, within angles of up to about 30 degrees.

Remote control will not be possible if there is an obstacle between the remote control unit itself and the remote sensor window in the receiver. Performance of the remote control unit is adversely affected in the presence of strong fluorescent light. Keep such lights away, specially from the sensor window.



## LOADING BATTERIES

1. Open the rear cover.
2. Install size "AA" (IEC R6P) batteries correctly matching polarity.
3. Close the cover.

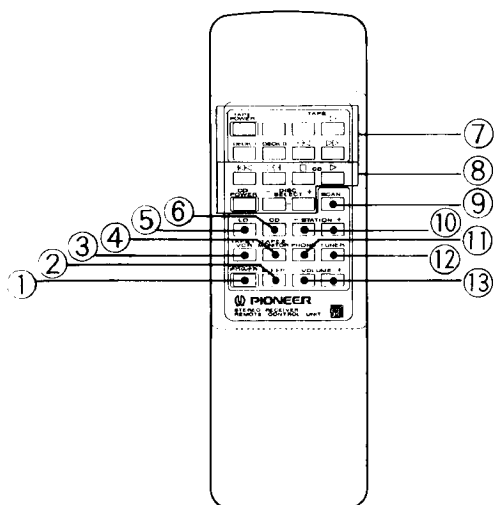



**Incorrect use of batteries may lead to leakage or rupture. Always be sure to follow these guidelines:**

**A:** Always insert batteries into the battery compartment correctly matching the positive (+) and negative (-) polarities, as indicated inside the compartment.

**B:** Never mix new and used batteries.

**C:** Batteries of the same size may have different voltages, depending on their type. Do not mix different type of batteries.

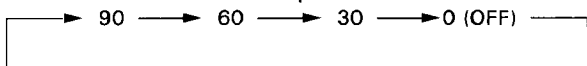


This remote control unit can be used to operate some functions of Pioneer  marked CD players and cassette deck.

### ① RECEIVER POWER button

### ② SLEEP button

Activates the SLEEP timer. The length changes in the following manner each time the button is pressed:



Unit: minutes

During SLEEP timer operation, SLEEP is displayed on the receiver OPERATION DISPLAY.

### ③ TAPE 1/VCR button

### ④ TAPE 2 MONITOR button

### ⑤ LD button

### ⑥ CD button

### ⑦ DECK operation button

TAPE POWER: Turns deck power ON/OFF.

DECK I: DECK I selection.

DECK II: DECK II selection.

■: Stop

◀ ▶: Reverse and Forward playback (Set the function button to TAPE position.)

◀◀: Rewind in forward mode, fast forward in reverse mode.

▶▶: Fast Forward in forward mode, rewind in reverse mode.

#### NOTE:

- To operate the cassette deck, first press the Deck I or Deck II button to select the desired deck. Then press the correct control buttons.
- To operate the single deck, first the Deck II button. Then press the correct control buttons.
- Refer to your cassette deck's operating instructions for details.

### ⑧ CD operation button

CD POWER: Turns CD player power ON/OFF.

DISC SELECT -/+ : DISC selection.

■: Stop

▶: Play.

◀◀, ▶▶: Track search.

#### NOTE:

- Note that the DISC SELECT button on the accessory remote control unit may not function, depending on the CD player used. Refer to your CD player's operating instructions for details.

### ⑨ SCAN button

Scans memorized stations.

### ⑩ STATION +/- button

• Before operation, memorize broadcast stations in the STATION CALL buttons. (see page 11)

+ : Station change in order in the upward direction.

- : Station change in order in the downward direction.

### ⑪ PHONO button

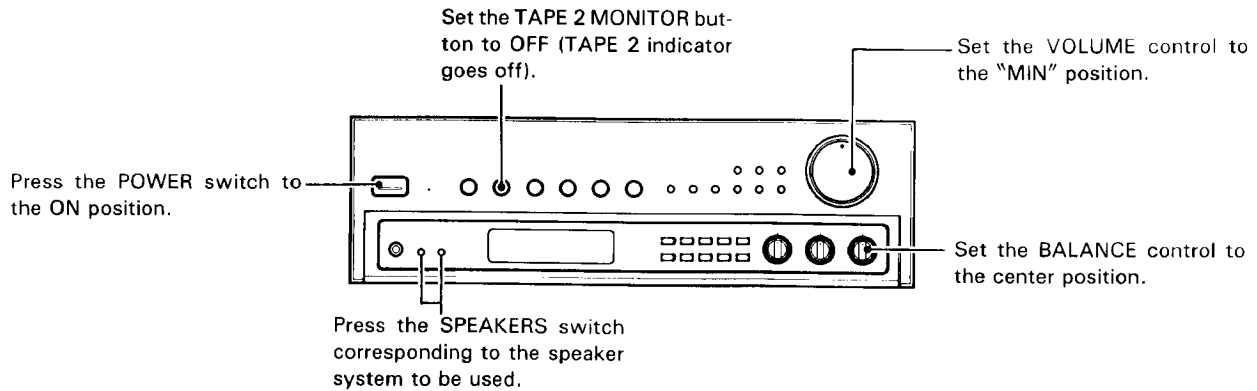
### ⑫ TUNER button

### ⑬ VOLUME +/- button



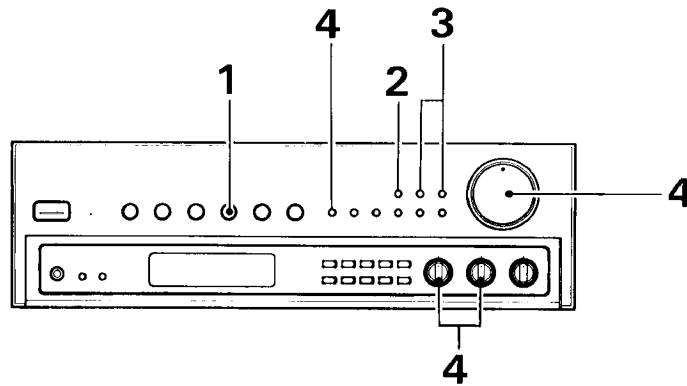
# SETTING THE UNIT PRIOR TO OPERATION

- Before operating the unit, be sure to set it as shown below.



# LISTENING TO THE BROADCAST

- Check that all terminals are properly connected before switching on the unit.



## MANUAL/AUTO TUNING (FM/AM reception)

1. Press the TUNER button of the function buttons.
2. Press the FM/AM selector button to select your desired broadcasting.
3. Use the TUNING buttons to locate the frequency of the desired station.

### [Manual tuning]

Press TUNING buttons and release it quickly. The frequency will change by one step each time the button is pressed. Press as many times as necessary to tune in the desired station.

Steps change in the following way.

U.S. Canadian models: FM 100 kHz, AM 10 kHz.

Multivoltage model: FM 100/50 kHz, AM 10/9 kHz.

### [Auto tuning]

Press buttons until the frequency starts to change, then release it. The tuner will automatically search for a broadcasting station and stop when one is found.

To search for another station, press again.

### [High speed manual tuning]

Keep TUNING buttons pressed. The frequency changes continuously, and stops when the button is released.

### NOTE:

The TUNED indicator will not function for broadcasts received over long distances or when signals are weak.

4. Adjust the volume with the VOLUME control and the tone with TREBLE tone control, BASS tone control and S.BASS button.

### When Receiving FM Broadcasts:

- If there is too much noise during reception of an FM stereo broadcast, press the MPX MODE selector button to light the MONO indicator. Switching to monaural reception results in clear reception.

### Note on Auto Tuning

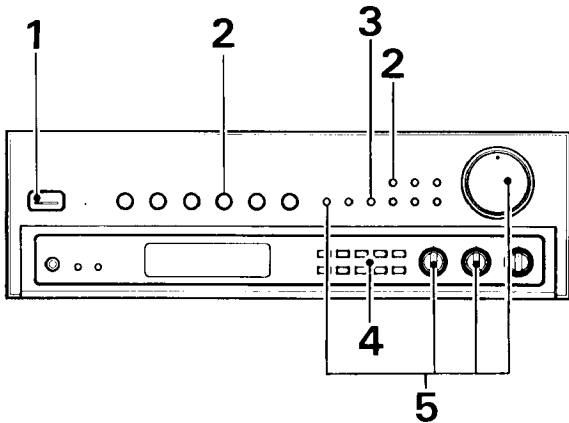
- Because of high sensitivity of this unit, it may automatically stop even at very weak overseas stations. The same can happen with aggregate radio noise emitted in cities.
- During reception of an AM broadcast, if it frequently stops when presetting stations with auto tuning, auto tuning of only strong local stations is possible by changing the direction of the loop antenna or folding it down. After presetting, move the loop antenna back to the position where it is pointing in the best direction as before.
- Preset extremely weak stations with manual tuning.

### The TUNED Indicator

When the TUNED indicator is not lit, reception is not possible even if the tuning frequency is correct. This is because the antenna terminal input is too weak. Check whether the antenna cable is firmly connected. If it is, consult your nearest dealer and install an outdoor antenna.

# DIRECT ACCESS TUNING

## LISTENING TO BROADCASTS USING DIRECT ACCESS TUNING



When you know the frequency of the desired station, the frequency can be input directly using the STATION CALL (number) buttons in the following way:

1. Press the POWER switch to the ON position.

**NOTE:**

Be sure to turn the TAPE 2 MONITOR button OFF when listening to AM or FM broadcasts.

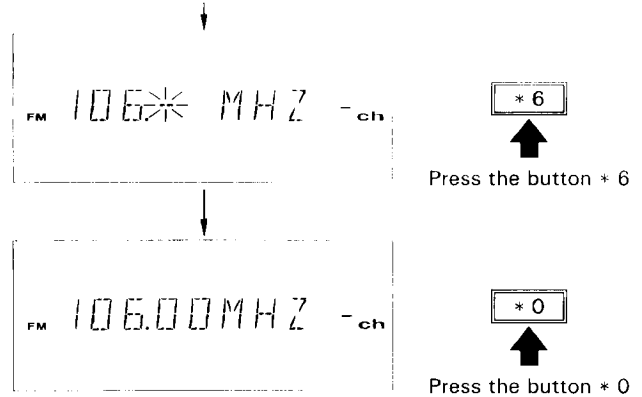
2. Press the TUNER button and Select either FM or AM using the FM/AM selector button.

3. Press the DIRECT ACCESS tuning button.

- If you do not perform any operations within five seconds of pressing the DIRECT ACCESS button, direct access is canceled.

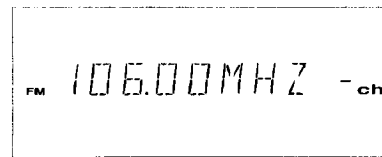
4. Input the desired station frequency using the STATION CALL buttons.

Example 1: To receive FM 106.00 MHz

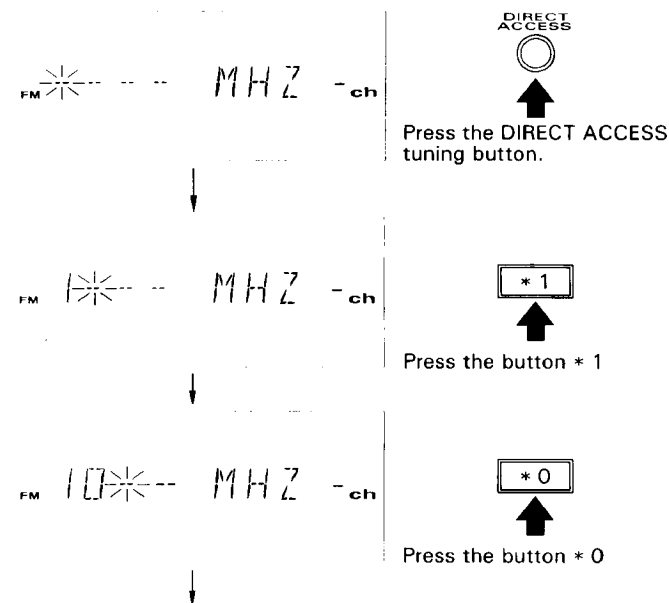
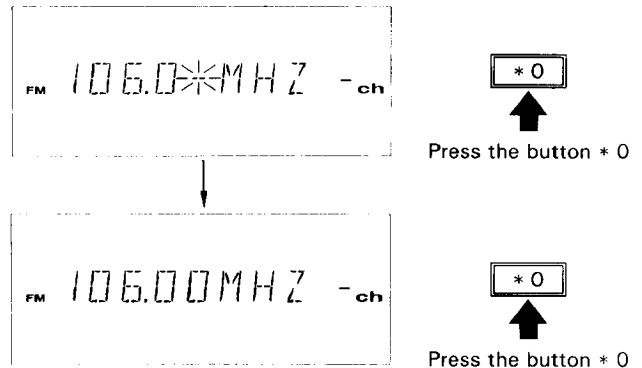


### FOR MULTI-VOLTAGE MODEL

- When the CHANNEL STEP switch is set to FM 100 kHz step, the tuning operation is completed and reception begins.



When the CHANNEL STEP switch is set to FM 50 kHz step:



Once the station frequency has been input, the receiver tunes in that frequency. If the input frequency falls below the lower or higher limit of the receiver's receivable frequency range (FM: 87.5 MHz - 108 MHz; AM: 530 kHz - 1,700 kHz (10 kHz step), 531 kHz - 1,602 kHz (9kHz step)) "LOWER" or "UPPER" is displayed, indicating that the frequency which has been input cannot be tuned in.

5. Adjust the volume with the VOLUME control and the tone with TREBLE tone control, BASS tone control and S.BASS button.

### To cancel frequency input

Direct access is canceled when the DIRECT ACCESS tuning button is pressed again.

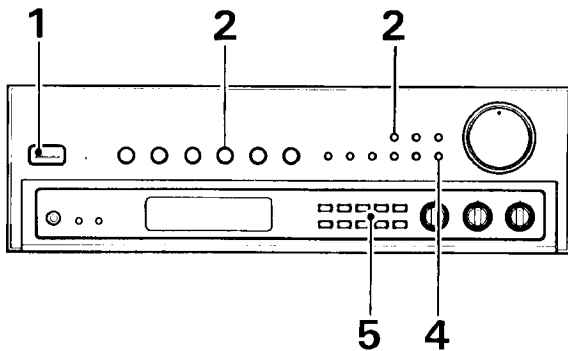
Under the following conditions direct access is canceled and the unit returns to the condition in effect before direct access was selected:

- ① If there is no key input for about five seconds after the DIRECT ACCESS tuning button was pressed.
- ② If more than about five seconds elapse between number input.

# PRESET TUNING

## FREQUENCY PRESETTING

Allows three stations per STATION CALL button (press once, twice, or three times to select).



1. Press the POWER switch to the ON position.

### NOTE:

Be sure to turn the TAPE 2 MONITOR button OFF when listening to AM or FM broadcasts.

2. Press the TUNER button and Set the FM/AM selector to either FM or AM.

3. Tune in the desired station.

- See the section "DIRECT ACCESS TUNING" for information on reception using the Direct Access Tuning mode.
  - See the section "MANUAL/AUTO TUNING" for information on reception using the manual tuning mode.
- In addition to station frequencies, the MPX MODE(AUTO/MONO) can also be preset.

4. Press the MEMORY button.

- The MEMORY indicator will flash.

5. Press the STATION CALL button into which you wish to preset the station.

- Press the STATION CALL button while the MEMORY indicator is flashing (about 5 seconds).
- Use the STATION CALL buttons (\*1 - \*9, \*0) to select a preset channel. One press selects the 1 - 10 range, two presses 11 - 20, and three presses 21 - 30.

[Example] If you press button **\*3**:

Once - STATION 3

Twice - STATION 13

Three times - STATION 23

Press a STATION CALL button within two seconds.

When the display stops flashing, the station is preset.

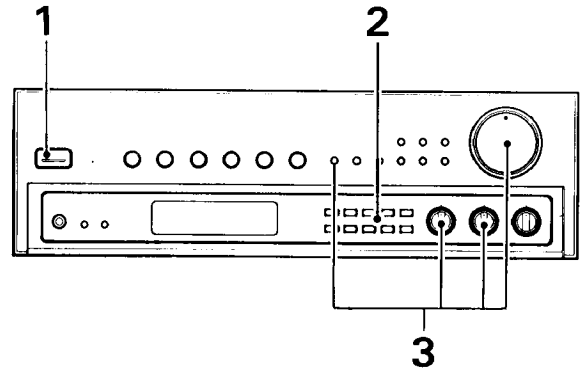
### NOTE:

Do not press buttons while the display is still flashing.

6. Repeat steps 2 to 5 to preset additional stations.

A total of 30 AM and FM stations may be preset. When you store a new preset, it takes the place of the previously stored station (if any).

## LISTENING TO BROADCASTS USING PRESET TUNING



1. Press the POWER switch to the ON position.

2. Press the STATION CALL button into which the desired station has been preset.

- When the Function button is set to a function other than TUNER, it will switch to the TUNER function automatically if one of the STATION CALL buttons is pressed.
- Tuning can be performed simply and accurately following the above procedure.

3. Adjust the volume with the VOLUME control and the tone with TREBLE tone control, BASS tone, control and S.BASS button.

### NOTE:

The contents of the STATION CALL button will be preserved for several days, even if the receiver power cord is unplugged. If a preset station has been erased, preset it again.

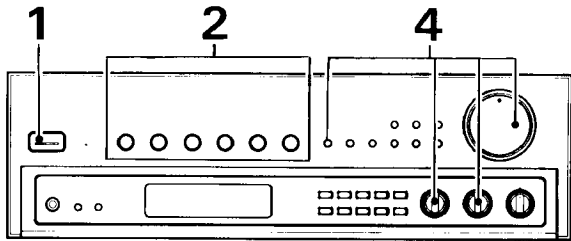
### Last station memory

The last received AM and FM stations remain stored despite FUNCTION and/or POWER switching. To recall, use BAND selector buttons.

### Memory SCAN function

Press the MEMORY SCAN button and preset broadcast stations are received for several seconds in the order of their STATION CALL numbers. Press again to stop.

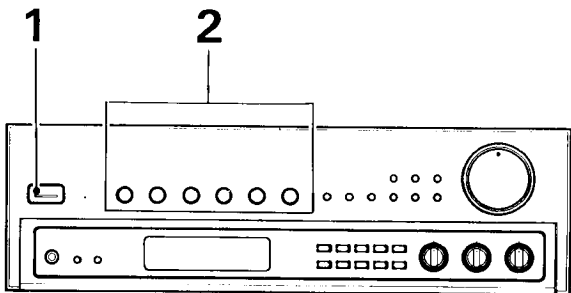
## TO LISTEN TO OTHER MUSIC SOURCES



1. Press the **POWER** switch to the **ON** position. Also turn on the power to the stereo components you wish to use.
  2. Use the function buttons and tape monitor button as appropriate to select the desired program source.
- Select function according to the table on the right.
3. Operate the appropriate stereo component to play back the program source.
  4. Adjust the volume with the **VOLUME** control and the tone with **TREBLE** tone control, **BASS** tone control and **S.BASS** button.

	Function buttons	TAPE 2 MONITOR button
To listen to TAPE1/VCR	TAPE 1 /VCR	OFF
To listen to a tape on the cassette deck connected to TAPE 2 MONITOR jacks.	—	ON
To listen to records	PHONO	OFF
To listen to the component connected to LD jack	LD	OFF
To listen to a CD	CD	OFF

## TAPE RECORDING

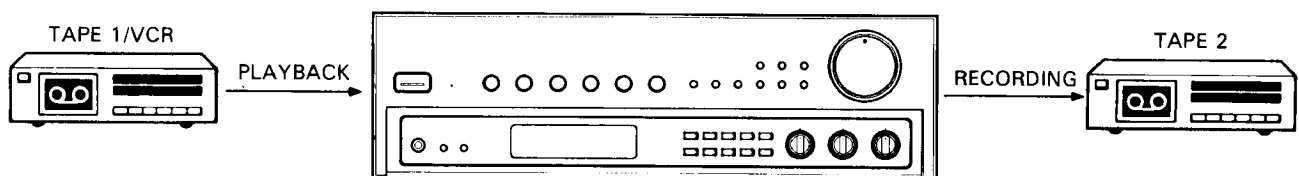


You can record an FM or AM broadcast, or a sound source connected to the LD, CD, PHONO terminals.

1. Press the **POWER** switch to the **ON** position.
  2. Select the sound source to be recorded.
  3. Operate the cassette deck connected to the **TAPE 1/VCR** or **TAPE 2 MONITOR** terminals.
  4. Turn on (or start) the sound source to be recorded.
- For details of operating the cassette deck, read the operating instructions of the cassette deck.

## COPYING TAPES

When two cassette decks are used, the sound played back on the deck connected to the TAPE 1/VCR jacks can be recorded on the deck connected to the TAPE 2 jacks.



[When using two cassette decks]

1. Load the playback tape (i.e. the pre-recorded tape) in the deck connected to the **TAPE 1/VCR** jacks, and the tape to be recorded in the other deck connected to the **TAPE 2** jacks.
2. Press the **TAPE 1/VCR** button.

3. Operate the cassette decks to begin copying.

Set the cassette deck with the non-recorded tape to the recording mode, and set the cassette deck with the original tape to the playback mode.

# TROUBLESHOOTING

Incorrect operations are often mistaken for trouble and malfunctions. If you think that there is something wrong with this component, check the points below. Sometimes the trouble may lie in another component. Investigate the other components and electrical appliances being used. If the trouble cannot be rectified even after exercising the checks listed below, ask your nearest PIONEER authorized service center or your dealer to carry out repair work.

Symptom	Cause	Remedy
Power does not come on even when POWER switch is pressed.	<ul style="list-style-type: none"> <li>Power cord is disconnected.</li> </ul>	<ul style="list-style-type: none"> <li>Connect cord securely.</li> </ul>
No sound is produced, even when Function switch is selected.	<ul style="list-style-type: none"> <li>VOLUME control is set to MIN.</li> <li>Speaker connecting wires are disconnected from speaker terminals.</li> <li>One or both of the input cords are disconnected.</li> <li>TAPE 2 MONITOR button is in the ON position.</li> <li>Speakers buttons are in the OFF position.</li> </ul>	<ul style="list-style-type: none"> <li>Turn the VOLUME control toward the right.</li> <li>Connect wires to terminals securely.</li> <li>Connect input cords securely.</li> <li>Press the button to OFF position.</li> <li>Press the button to ON position.</li> </ul>
Sound is produced from one speaker only.	<ul style="list-style-type: none"> <li>BALANCE control is set too far to one side or the other.</li> <li>One of the speaker connecting wires or input cords is disconnected.</li> </ul>	<ul style="list-style-type: none"> <li>Set BALANCE control to center position.</li> <li>Connect wires and cords securely.</li> </ul>
Noise is produced during reception of AM broadcasts when the power switch of other components is turned ON or OFF.	<ul style="list-style-type: none"> <li>AM loop antenna picks up electrical noise created by switch contacts.</li> </ul>	<ul style="list-style-type: none"> <li>Place AM loop antenna as far away as possible from this and other components.</li> </ul>
High noise level.	<ul style="list-style-type: none"> <li>Station has not been tuned in to correct frequency.</li> <li>Antenna has not been connected or has become disconnected.</li> <li><b>FM reception</b></li> <li>Accessory FM antenna remains bundled up.</li> <li>Weak broadcasting station signals.</li> <li>Noise picked up from other equipment (or, in particular, from passing automobiles).</li> <li>Multipath results when signals from broadcasting station entering antenna directly are mixed with signals which have been reflected by mountains or high buildings on their way to antenna. this results in distorted sound and noise.</li> <li><b>AM reception</b></li> <li>AM antenna not pointing in right direction.</li> <li>Weak broadcasting station signals.</li> <li>Noise being picked up from other equipment (especially electrical appliances using motor or fluorescent lights).</li> </ul>	<ul style="list-style-type: none"> <li>Tune the station correctly.</li> <li>Connect the antenna securely.</li> <li>Stretch the antenna taut and locate in direction yielding optimum reception.</li> <li>Replace accessory FM antenna with outdoor FM antenna.</li> <li>Try altering direction and mounting position of antenna. If an outdoor antenna has been erected, place it as far as possible from passing traffic and replace connecting cable with 75 Ω coaxial cable.</li> <li>Change AM antenna's direction and find a position where reception is improved.</li> <li>Erect outdoor AM antenna or connect ground wire.</li> <li>Stop using appliances generating noise or remove them from vicinity of stereo equipment.</li> </ul>
Remote control does not work.	<ul style="list-style-type: none"> <li>Batteries are dead or no batteries in remote control unit.</li> <li>Poor angle or too great a distance from the remote sensor window.</li> <li>There is an obstacle between you and the remote sensor window.</li> <li>For CD player and cassette decks, the remote control cord is not connected.</li> <li>A fluorescent light is shining on the remote sensor window.</li> </ul>	<ul style="list-style-type: none"> <li>Insert new batteries.</li> <li>Use within 7 meters (23 feet) and within a 30 degree angle of the remote sensor window.</li> <li>Change your position or move the obstacle.</li> <li>Correctly connect remote control cord.</li> <li>Turn off the light.</li> </ul>

Abnormal functioning of this unit may be caused by lightning, static electricity, or other external interference. To restore normal operation, turn the power off and then on again, or unplug the AC power cord and then plug it in again.

# SPECIFICATIONS

## Amplifier Section

[SX-303R]

**Continuous Average Power Output is 100 watts\* per channel, min., at 8 ohms from 40 Hertz to 20,000 Hertz with no more than 0.9% total harmonic distortion.\*\***

[SX-253R/SX-203]

**Continuous Average Power Output is 70 watts\* per channel, min., at 8 ohms from 40 Hertz to 20,000 Hertz with no more than 0.9% total harmonic distortion.**

Continuous Power Output (both channel driven)\*\*

40 Hz ~ 20 kHz, T.H.D. 0.9%, 8 Ω

[SX-303R] ..... 100W + 100W

[SX-253R/SX-203] ..... 70W + 70W

[SX-253R] Australian model ..... 50W + 50W

Dynamic power output (with EIA test signal)

2/4/8 Ω

[SX-303R] ..... 260W/220W/150W

[SX-253R/SX-203] ..... 180W/150W/100W

4/8 Ω

[SX-253R] Australian model ..... 105W/80W

Input (Sensitivity/Impedance)

PHONO ..... 2.8 mV/47 kΩ

CD, LD, TAPE 1/VCR, TAPE 2 ..... 200 mV/22 kΩ

Phono Overload Level (T.H.D. 0.1 %, 1 kHz)

PHONO ..... 100 mV

Output Level

TAPE REC ..... 200 mV/2.2 kΩ

Frequency Response

PHONO (RIAA Equalization) ... 20 Hz to 20,000 Hz ±0.5 dB

CD, LD, TAPE 1/VCR, TAPE 2

..... 10 Hz to 70,000 Hz ± $\frac{1}{2}$  dB

Signal-to-Noise Ratio (IHF, short circuited, A network)

PHONO ..... 72 dB

CD, LD, TAPE 1/VCR, TAPE 2 ..... 96 dB

BASS ..... 100 Hz, ±8 dB

TREBLE ..... 10 kHz, ±8 dB

## FM Tuner Section

Frequency range ..... 87.5 MHz to 108 MHz

Usable Sensitivity ..... 11.2 dBf, IHF (1.0 μV/75 Ω)

50 dB Quieting Sensitivity

MONO ..... 16.8 dBf (1.6 μV/75 Ω)

STEREO ..... 38.6 dBf (19.5 μV/75 Ω)

Signal-to-Noise Ratio

MONO ..... 73 dB (at 85 dBf)

STEREO ..... 70 dB (at 85 dBf)

Distortion

STEREO ..... 0.5% (1 kHz)

Alternate Channel Selectivity ..... 60 dB (400 kHz)

Stereo Separation ..... 40 dB (1 kHz)

Frequency Response ..... 30 Hz to 15 kHz (±1 dB)

Antenna Input ..... 75 Ω unbalanced

## AM Tuner Section

Frequency range

When 10 kHz step ..... 530 kHz to 1,600 kHz

When 9 Hz step ..... 531 kHz to 1,602 kHz

Sensitivity

IHF, Loop antenna ..... 350 μV/m

Selectivity ..... 25 dB

Signal-to-Noise Ratio ..... 50 dB

Antenna ..... AM Loop Antenna

## Miscellaneous

Power Requirements

U.S. and Canadian models ..... AC 120 Volts, 60 Hz

Multi-voltage model ..... ~AC 110 V/120 V – 127 V  
/220 V/240 V (switchable), 50/60 Hz

Australian model ..... AC 240Volts, 50/60Hz

Power Consumption

[SX-303R]

U.S. and Canadian models ..... 200 W (UL), 320 VA (CSA)

Multi-voltage model ..... 570 W

[SX-253R/SX-203]

U.S. and Canadian models ..... 150 W (UL), 240 VA (CSA)

Multi-voltage model ..... 390 W

[SX-253R] Australian model ..... 360 W

AC Outlet ..... SWITCHED x 1 : 100W MAX

[SX-303R: U.S. and Canadian models]

UNSWITCHED x 1 : 100W MAX

Dimensions ..... 420 (W) X 140 (H) X 298 (D) mm

16-9/16(W) X 5-8/16 (H) X 11-12/16(D) in

Weight (without package)

SX-303R ..... 7.0 kg (15 lb 7 oz)

SX-253R ..... 5.6 kg (12 lb 6 oz)

SX-203 ..... 5.4 kg (11 lb 15 oz)

## Furnished Parts

FM Antenna ..... 1

AM Loop Antenna ..... 1

Operating Instructions ..... 1

Power cord ..... 1

[SX-303R/SX-253R]

Remote control unit ..... 1

Dry cell batteries (size "AA" (R6P)) ..... 2

\* Measured pursuant to the Federal Trade Commission's Trade Regulation rule on Power Output Claims for Amplifier.

\*\* Measured By Audio Spectrum Analyzer.

## NOTE:

Specifications and design subject to possible modification without notice due to improvements.



## Dear Customer:

Selecting fine audio equipment such as the unit you've just purchased is only the start of your musical enjoyment. Now it's time to consider how you can maximize the fun and excitement your equipment offers. This manufacturer and the Electronic Industries Association's Consumer Electronics Group want you to get the most out of your equipment by playing it at a safe level. One that lets the sound come through loud and clear without annoying blaring or distortion—and, most importantly, without affecting your sensitive hearing.

Sound can be deceiving. Over time your hearing "comfort level" adapts to higher volumes of sound. So what sounds "normal" can actually be loud and harmful to your hearing. Guard against this by setting your equipment at a safe level **BEFORE** your hearing adapts.

### To establish a safe level:

- Start your volume control at a low setting.
- Slowly increase the sound until you can hear it comfortably and clearly, and without distortion.

### Once you have established a comfortable sound level:

- Set the dial and leave it there.

Taking a minute to do this now will help to prevent hearing damage or loss in the future. After all, we want you listening for a lifetime.

## We Want You Listening For A Lifetime

Used wisely, your new sound equipment will provide a lifetime of fun and enjoyment. Since hearing damage from loud noise is often undetectable until it is too late, this manufacturer and the Electronic Industries Association's Consumer Electronics Group recommend you avoid prolonged exposure to excessive noise. This list of sound levels is included for your protection.

### Decibel

Level	Example
30	Quiet library, soft whispers
40	Living room, refrigerator, bedroom away from traffic
50	Light traffic, normal conversation, quiet office
60	Air conditioner at 20 feet, sewing machine
70	Vacuum cleaner, hair dryer, noisy restaurant
80	Average city traffic, garbage disposals, alarm clock at two feet.

### THE FOLLOWING NOISES CAN BE DANGEROUS UNDER CONSTANT EXPOSURE

90	Subway, motorcycle, truck traffic, lawn mower
100	Garbage truck, chain saw, pneumatic drill
120	Rock band concert in front of speakers, thunderclap
140	Gunshot blast, jet plane
180	Rocket launching pad

Information courtesy of the Deafness Research Foundation.



## POWER-CORD CAUTION

Handle the power cord by the plug. Do not pull out the plug by tugging the cord and never touch the power cord when your hands are wet as this could cause a short circuit or electric shock. Do not place the unit, a piece of furniture, etc., on the power cord, or pinch the cord. Never make a knot in the cord or tie it with other cords. The power cords should be routed such that they are not likely to be stepped on. A damaged power cord can cause fire or give you an electrical shock. Check the power cord once in a while. When you find it damaged, ask your nearest PIONEER authorized service center or your dealer for a replacement.

## MAINTENANCE OF EXTERNAL SURFACES

- Use a polishing cloth or dry cloth to wipe off dust and dirt.
- When the surfaces are very dirty, wipe with a soft cloth dipped in some neutral cleanser diluted five or six times with water, and wrung out well, and then wipe again with a dry cloth. Do not use furniture wax or cleaners.
- Never use thinners, benzene, insecticide sprays and other chemicals on or near this unit, since these will corrode the surfaces.

Published by Pioneer Electronic Corporation.  
Copyright © 1993 Pioneer Electronic Corporation.  
All rights reserved.

## PIONEER ELECTRONIC CORPORATION

4-1, Meguro 1-Chome, Meguro-ku, Tokyo 153, Japan  
PIONEER ELECTRONICS [USA] INC. 2265 East 220th Street, Long Beach, California 90810, U.S.A.

P.O. BOX 1720, Long Beach, California 90801, U.S.A.

PIONEER ELECTRONICS OF CANADA, INC. 300 Allstate Parkway Markham, Ontario L3R 0P2, Canada

PIONEER ELECTRONIC [EUROPE] N.V. Haven 1087 Keetberglaan 1, 9120 Meisele, Belgium, TEL: 03/750.05.11

PIONEER ELECTRONICS AUSTRALIA PTY. LTD. 178-184 Boundary Road, Braeside, Victoria 3195, Australia, TEL: (03) 580-9911

<xxxxxxx>

Printed in Malaysia <ARB1470-B>

