

----- 1/2/4/8 Channel Wireless System

PROFESSIONAL
WIRELESS MICROPHONE

----- 1/2/4/8 Channel Wireless System

User's manual

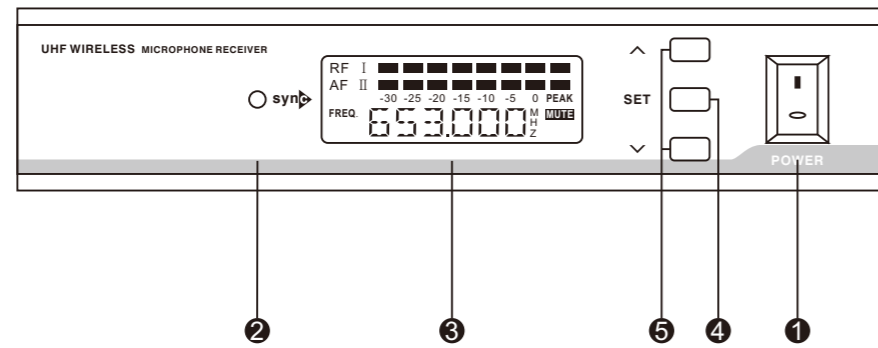
Precautions

1. To assure the finest performance, please read this manual carefully. keep it in a safe place for future reference.
2. Do not use force on switches or connection wires. When moving unit, first disconnect the powerplug and the wires connected to other equipment. Never pull the wire itself.
3. Install this unit in a cool, dry, clean place--- away form window, heat sources of excessive vibration, dust, moisture and cold. To prevent fire or electrical shock, do not expose this unit to rain or water.
4. Only use provided power adapter, and confirm the voltage is correct to the adapter, The use of other power adapter may damage the machine and void your warranty.
5. The machine use 220VAC power supply voltage, the use of other voltage may cause fire and fault.
6. Avoid collisions or vibration of the machine.
7. Never open or try to change the circuit of the receiver, transmitters and the power adapter. This could damage your machine and void your warranty. If the machine fails to work, please send to the Maintenance Service Center authorized.
8. Be sure to read the"troubleshooting"section regarding common operating errors before concluding that the unit is faulty.
9. If there are any abnormal cases happened during using, such as smoke,odor,etc.,please unplug the adapter immediately,and send the machineto the Maintenance Service Center authorized asap.
10. Use the 2A alikline batteries or rechargeable batteries for the transmitter.Be sure the polarities are correct.(See the illustration inside the battery compartment.)Remove the batteries if the transmitters will not be used for an extended period of time.
11. When not planning to yse this machine for long periods of time,disconnect the power adapter plug form the wall outlet.12.Do not attempt to clean the unit with chemical solvante;this might damage the finish.Use a clean,dry cloth.

Contents Features

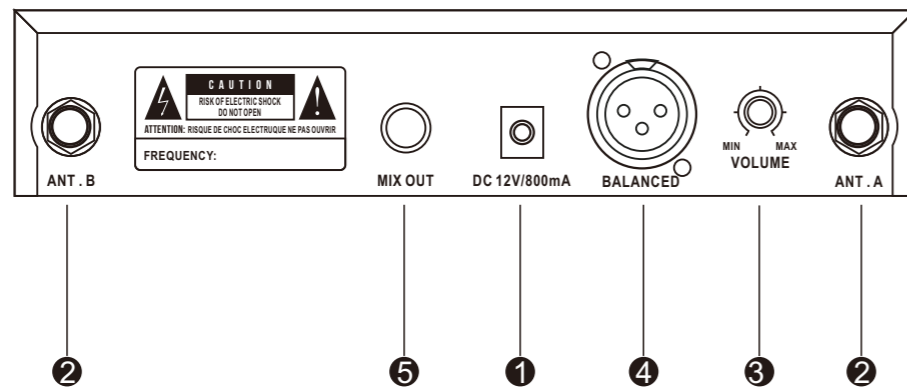
Precautions	1
Contents Features	2
The front panel name and function	3-6
The rear panel name and function	3-6
Handheld Transmitter	7
Bodypack Transmitter	7
Conference Transmitter	8
the menu operation method	8
Six, the infrared frequency	9
Eight, open process equipment	9
Technical indicators	10

1. The front panel name and function



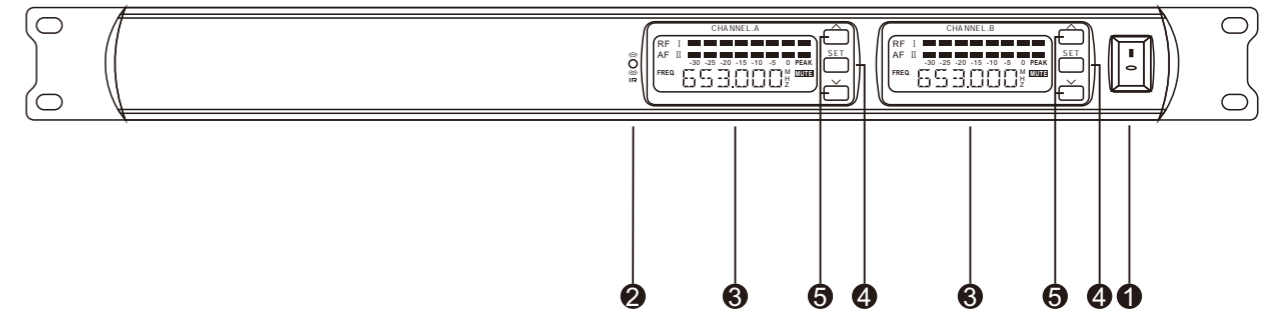
- 1, "POWER" power switch;
- 2, "IR" infrared synchronization window (with the transmitter relative to the 30CM frequency);
- 3, A channel display, real-time display of the working state;
- 4, A channel infrared frequency and function settings;
- 5, A channel selection key;

2. The rear panel name and function



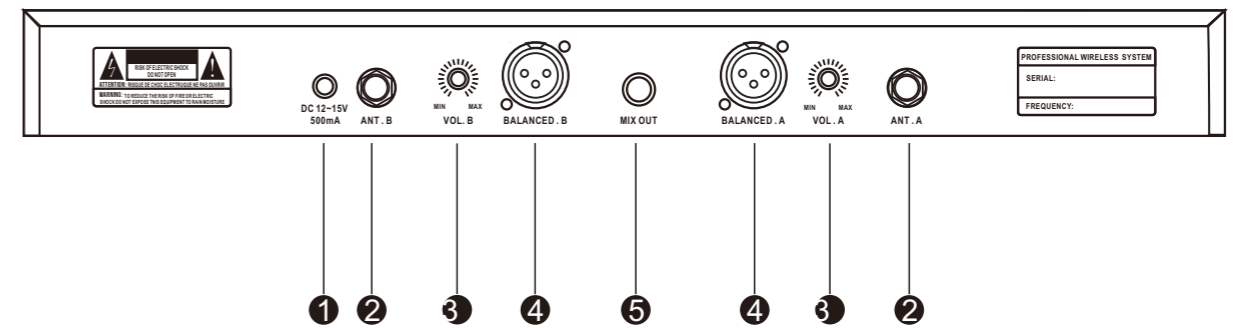
- 1, power adapter socket, connect DC/500mA 12V power input;
- 2, A/B channel antenna socket;
- 3, potentiometer, A/B channel volume control;
- 4, parallel output, A and B independent audio XLR parallel output.
- 5, non parallel output, A and B audio 6.35 mixed output;

1. The front panel name and function



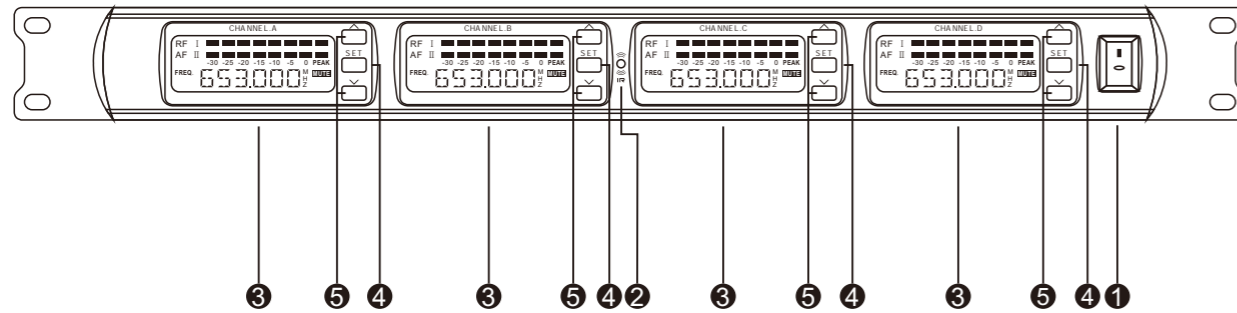
- 1, "POWER" power switch;
- 2, "IR" infrared synchronization window (with the transmitter relative to the 30CM frequency);
- 3, A/B channel display, real-time display of the working state;
- 4, A/B channel infrared frequency and function settings;
- 5, A/B channel selection key;

2. The rear panel name and function



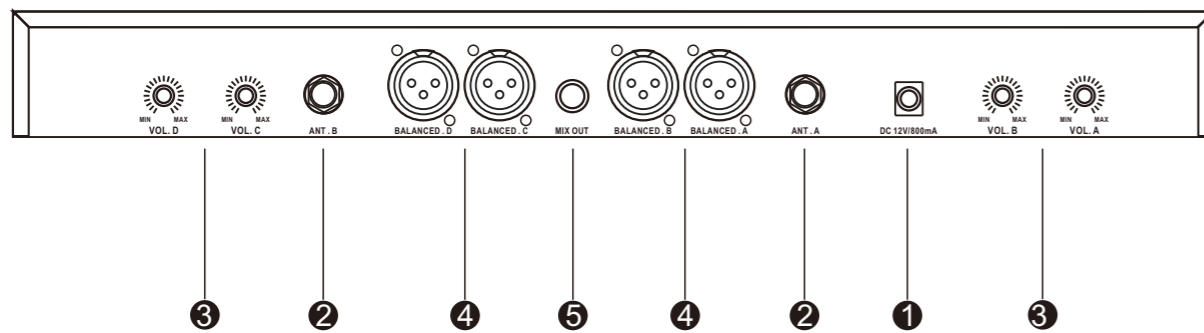
- 1, power adapter socket, connect DC/500mA 12V power input;
- 2, A/B channel antenna socket;
- 3, potentiometer, A/B channel volume control;
- 4, parallel output, A and B independent audio XLR parallel output.
- 5, non parallel output, A and B audio 6.35 mixed output;

3.The front panel name and function



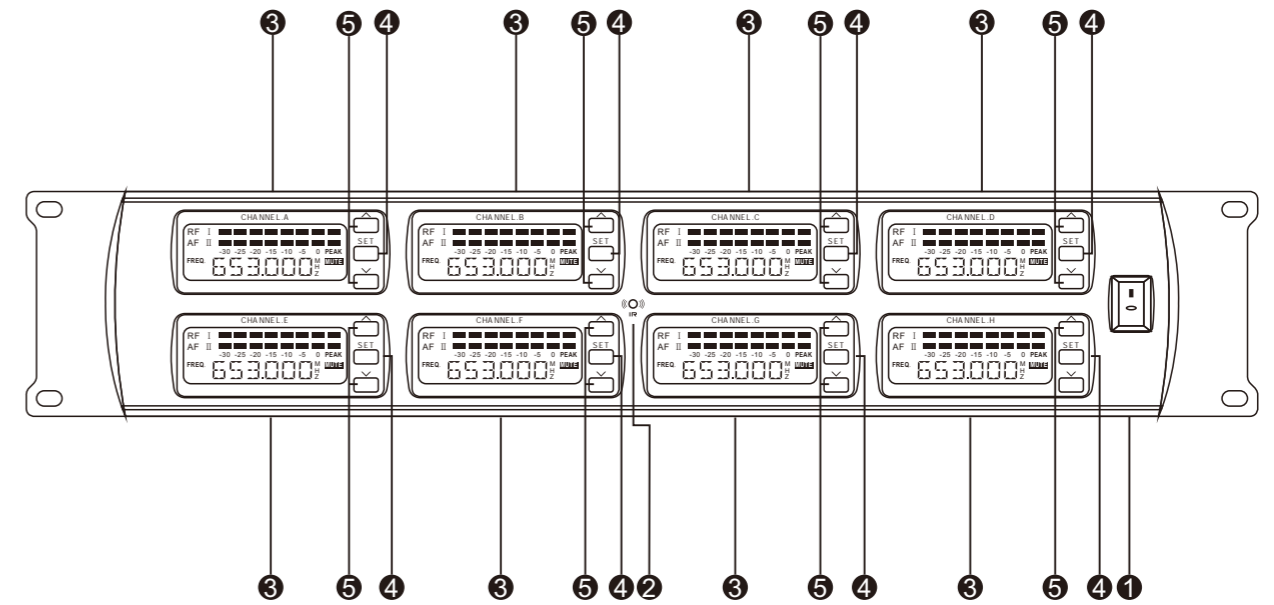
- 1, "POWER" power switch;
- 2, "IR" infrared synchronization window (with the transmitter relative to the 30CM frequency);
- 3, A/B/C/D channel display, real-time display of the working state;
- 4, A/B/C/D channel infrared frequency and function settings;
- 5, A/B/C/D channel selection key;

4.The rear panel name and function



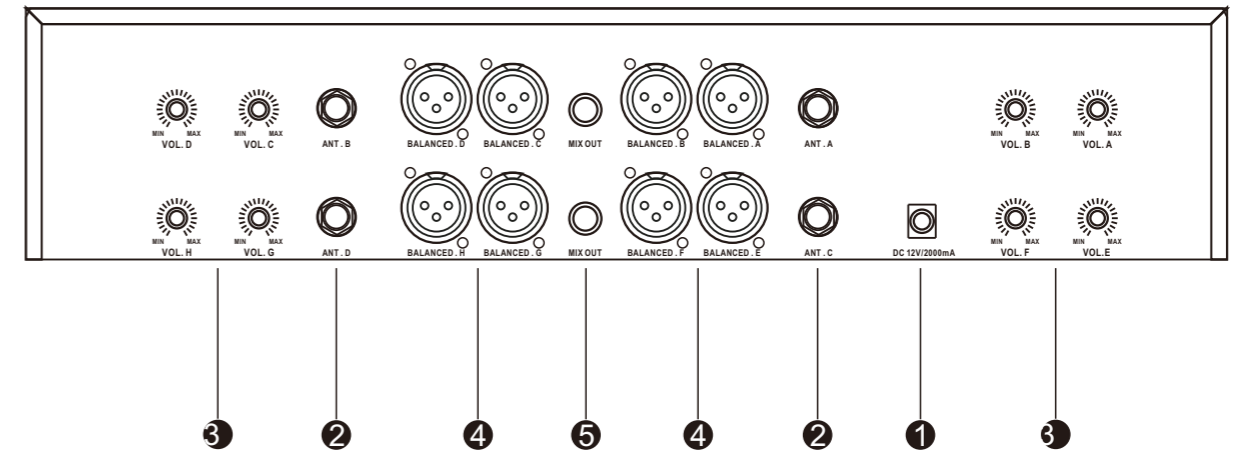
- 1, power adapter socket, connect DC/500mA 12V power input;
- 2, A/B channel antenna socket;
- 3, potentiometer, A/B/C/D channel volume control;
- 4, parallel output, A/B/C/D independent audio XLR parallel output.
- 5, non parallel output, A and B audio 6.35 mixed output;

5.The front panel name and function



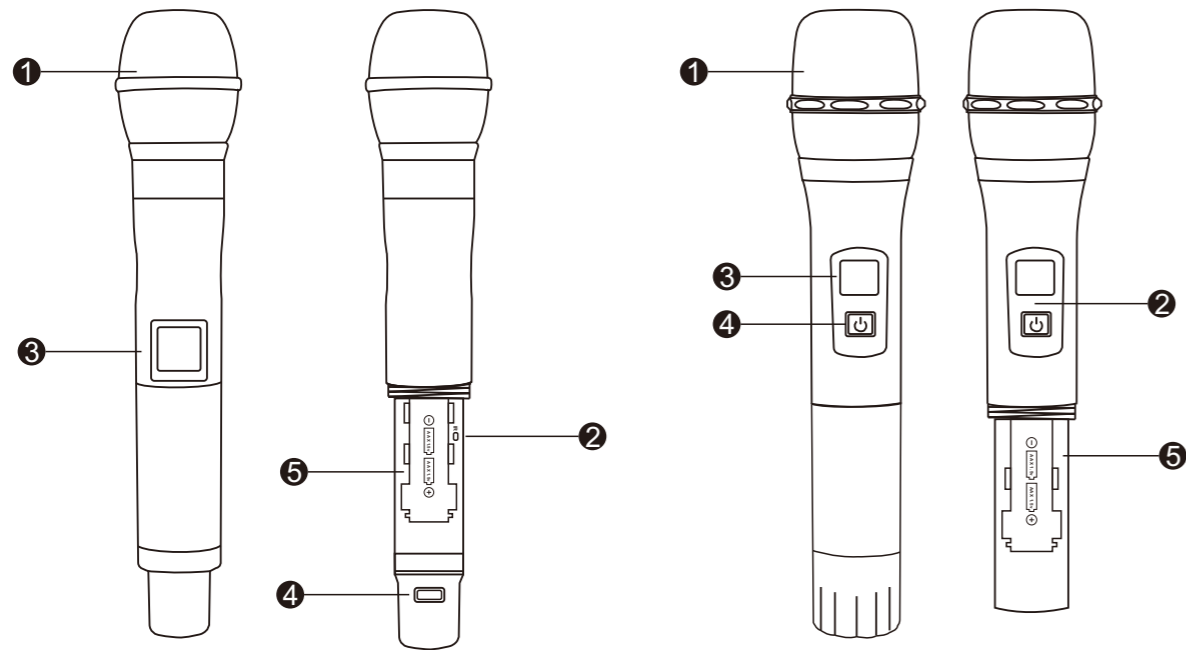
- 1, "POWER" power switch;
- 2, "IR" infrared synchronization window (with the transmitter relative to the 30CM frequency);
- 3, A/B/C/D/E/F/G/H channel display, real-time display of the working state;
- 4, A/B/C/D/E/F/G/H channel infrared frequency and function settings;
- 5, A/B/C/D/E/F/G/H channel selection key;

6.The rear panel name and function



- 1, power adapter socket, connect DC/500mA 12V power input;
- 2, A/B/C/D channel antenna socket;
- 3, potentiometer, A/B/C/D/E/F/G/H channel volume control;
- 4, parallel output, A/B/C/D/E/F/G/H independent audio XLR parallel output.
- 5, non parallel output, A and B audio 6.35 mixed output;

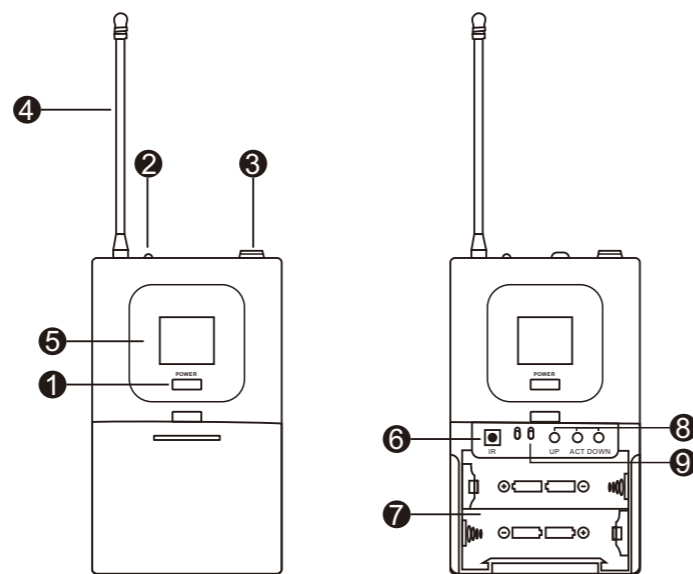
7. Handheld Transmitter



- 1, Voice head module: pick up audio input;
- 2, IR window: IR infrared synchronous frequency window, Host frequency synchronization data;
- 3, Display: display working status;
- 4, Power switch, long press the power switch;
- 5, Battery warehouse: the assembly of 2 AA batteries;
- 6, Transmit antenna;

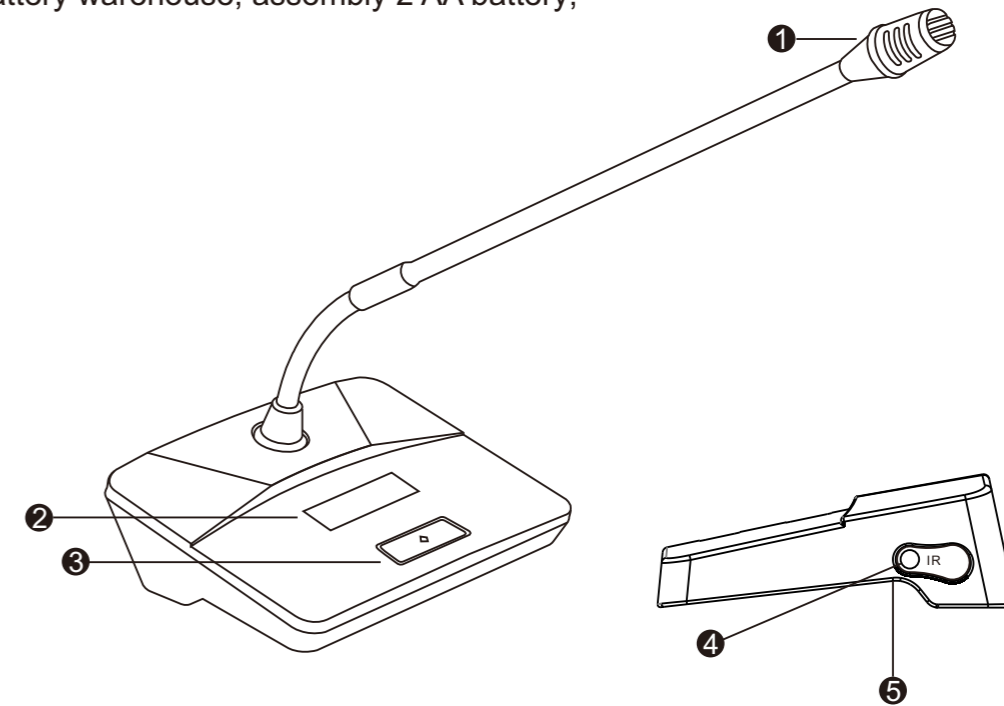
8. Bodypack Transmitter

- 1, power switch;
- 2, status indicator;
- 3, microphone input socket;
- 4, transmit antenna;
- 5, LCD display;
- 6, infrared frequency window;
- 7, battery warehouse (assembly 2 AA battery);
- 8, infrared ray key;
- 9, high and low emission power conversion;



9. Conference transmitter

- 1, microphone head: pick up sound input;
- 2, liquid crystal display;
- 3, power switch;
- 4, infrared port, receive infrared beam, so that the frequency synchronization;
- 5, battery warehouse, assembly 2 AA battery;



10. menu operation

(1), power on and off

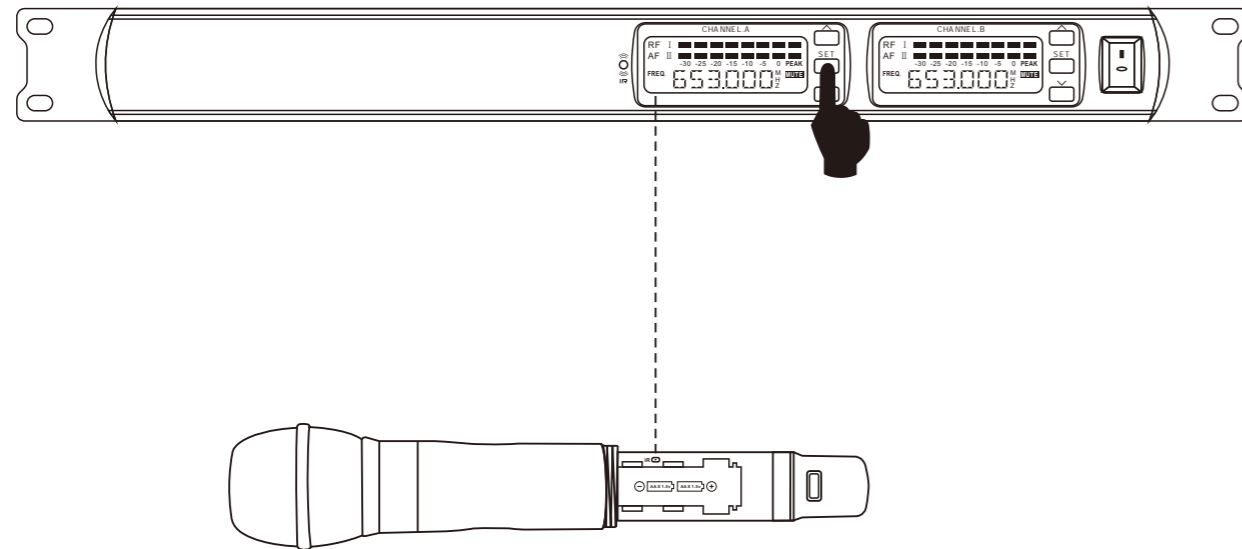
1. Press the a power button, the receiver will begin energized and internal CPU initialization, the system is restored to the when used on a working state.
- 2, in the boot state, press the power button, the system began to save the current settings, and then automatically shut down power.

(2), frequency selection

- 1, according to about "▲" key or "▼"keys, frequency and channel menu will be flashing. This could be a direct press "▲" key or "▼"key system Will increase or decrease the frequency set by the original menu. If the long press "▲" key or "▼" button for 2 seconds, the frequency will be quick step Or reduced.
(Note: Each channel operation method is the same)
- 2, choose a good frequency, press the "SET" button to send the infrared data to determine the exit, such as no operation, the menu is flashing 5 confirmed exit.

11. infrared automatic frequency

- 1, the receiver set good working frequency.
- 2, open the transmitter power, the infrared receiver window at the receiver of the infrared emission window, press the "SET" button, the transmitter frequency The rate is automatically set to the receiver frequency. (Note: all channels are identical).



12. the receiver installed

- 1, the two antennas are respectively mounted on the back panel of the antenna connecting seat, and the antenna is pulled to the position of the vertical line into a 45 degree angle.
- 2, the output of the DC power adapter is connected to the DC power input socket of the receiver, and the other end is connected to the AC power outlet. (Note: the AC power source for the power adapter must be in accordance with the specifications of the area.)
- 3, can not be connected to the parallel mixed output socket: at the same time, the output of the A channel and B channel audio signal.
- 4, can be connected to the parallel output socket, A, B channel audio parallel output socket is independent.
- 5, in order to make the machine to obtain a good reception, the receiver must be installed on the ground to less than 1 meters from the ground, the transmitter and the receiving antenna Less than 2 meters, more than 1 meters above the surface of the wall.
- 6, to keep the antenna away from the interference sources, such as computer equipment, digital equipment, television, also want to stay away from large areas of metal objects.
- 7, the use of the receiver and transmitter between the use of the site as far as possible to reduce obstacles between the line of sight for the best.)

13. Technical index

Wireless Receiver	
In the frequency range	510.5MHz-585MHz UHF
maximum deviation	+ 15KHz
In the letter	exercise than >100dB
comprehensive distortion	less than 0.02%
frequency stability	+ 0.03%
audio response	+ 40 Hz-16 KHz
dynamic range	>100dB
rated working current	480 Ma
working temperature	-20 to +50 DEG C
receiver voltage: DC	12 ~ 15V
rated working current	150 mA
AC - receiver voltage	100 ~ 240V
Effective working distance	100 meters
Wireless Transmitter	
In the frequency range	510.5MHz-585MHz UHF
maximum deviation	+ 15KHz
In the letter	exercise than >100dB
comprehensive distortion	less than 0.02%
frequency stability	+ 0.03%
audio response	+ 40 Hz-16 KHz
dynamic range	>100dB
Power	8.5mW
working temperature	-20 to +50 DEG C
battery time	10-12 hours
rated working current	150 mA

FCC Caution.

This device complies with part 15 of the FCC Rules. Operation is subject to the following two conditions:

- (1) This device may not cause harmful interference, and
- (2) this device must accept any interference received, including interference that may cause undesired operation.

Any Changes or modifications not expressly approved by the party responsible for compliance could void the user's authority to operate the equipment.

Note: This equipment has been tested and found to comply with the limits for a Class B digital device, pursuant to part 15 of the FCC Rules. These limits are designed to provide reasonable protection against harmful interference in a residential installation. This equipment generates uses and can radiate radio frequency energy and, if not installed and used in accordance with the instructions, may cause harmful interference to radio communications. However, there is no guarantee that interference will not occur in a particular installation. If this equipment does cause harmful interference to radio or television reception, which can be determined by turning the equipment off and on, the user is encouraged to try to correct the interference by one or more of the following measures:

- Reorient or relocate the receiving antenna.
- Increase the separation between the equipment and receiver.
- Connect the equipment into an outlet on a circuit different from that to which the receiver is connected.
- Consult the dealer or an experienced radio/TV technician for help.

The device has been evaluated to meet general RF exposure requirement. The device can be used in portable exposure condition without restriction.