

PageFlip Lite

Automatic Page Turner

User Guide



Legal Notice

Copyright ©2009 PageFlip Inc. All rights reserved.

Information in this document is subject to change without notice. All statements, information, and recommendations in this manual are believed to be accurate but may include inadvertent technical inaccuracies or typographical errors. PageFlip Inc. provides this information “as is”, without warranty of any kind, either expressed or implied, including any implied warranties of merchantability or fitness for a particular purpose. No part of this manual may be reproduced, stored in a retrieval system, or transmitted in any form or any means electronic or mechanical, including photocopying and recording for any purpose other than the purchaser’s personal use without the written permission of PageFlip Inc.

Contents ©2009 PageFlip Inc.

PageFlip Inc.
Woodmere, NY 11598
USA

www.pageflip.com
support@pageflip.com

Version 1.0
September 1, 2009

FCC/CE Notice

This device complies with Part 15 of the FCC Rules. Operation is subject to the following two conditions: (1) This device may not cause harmful interference, and (2) this device must accept any interference received, including interference that may cause undesired operation. [pending approval]

Safety Notice

The following safety instructions must be followed to safely and correctly operate this device. Please read this information carefully to avoid personal injury and property damage.

1. Do not place any container filled with liquid on the device.
2. Do not use a voltage other than the specified one.
3. Do not plug AC Adapter into socket with wet hands.
4. When removing the AC Adapter plug, be sure to always hold the case and then remove.
5. Before operating the device, make sure its installation and power connections are safe. Then follow the manual to operate the device.
6. While operating the device, never insert your hand in the device cover.
7. Do not disassemble or modify the device.

1 WELCOME

Congratulations on your purchase of the PageFlip Lite automatic page turner! This product was designed to meet the needs of people with disabilities, musicians, and avid readers who struggle with the challenge and inconvenience of page turning. The PageFlip Lite features a patent pending solution to automate the mechanical process of turning pages. By simply tapping a switch, pages of a book can now be flipped in either the forward or reverse directions for uninterrupted hands-free reading. Be prepared to enjoy the benefits of the PageFlip Lite automatic page turner.

The PageFlip Lite is compact, portable, reliable, and easy to use. It features 100% reliability in turning one page at a time. Just pull any book off the shelf, mount it on the PageFlip Lite book holder, and slide ten sheets through mechanical arms to begin reading. We include a wireless foot/hand pedal to trigger a page turn cycle in the forward or reverse directions. An auxiliary outlet is available for use with an external switch via a 1/8" stereo plug. The unit is compatible with a wide range of switches, including Jelly Bean and sip-and-puff switches (not included). PageFlip Lite can be placed directly on a desk, table, piano, music stand, kitchen counter, exercise equipment, or on the bed for convenient hands-free reading.



Figure 1: PageFlip Lite with mounted book.

2 FEATURES

- **Ease of Use**

Simply attach a bound book to the PageFlip Lite bookholder, snap the bookholder to the PageFlip Lite casing, turn the power on, and begin reading. Just press either end of the wireless pedal to turn a page forwards or backwards.

- **Convenience**

Set up 10 sheets of a book in under one minute for uninterrupted hands-free reading of 20 pages (2 pages / sheet). There is no need to stop playing your musical instrument or to wait for a care-giver to turn the next page.

- **Reliability**

Turns one page at a time with 100% accuracy. The manual setup of 10 sheets eliminates the risk of turning multiple pages at once. The PageFlip Lite book holder firmly attaches to the opened book to restrain pages from inadvertently turning back. Combines the virtues of a secure book holder with the advanced features of an automatic page turner.

- **Portability**

The unit is small, light, battery-operated, and easy to carry anywhere.

- **Wireless Remote Control**

The wireless foot pedal is used to turn the pages in either direction. Tap one end of the pedal to turn pages forward; tap the other end to turn pages backwards. Each wireless pedal is automatically paired with one PageFlip Lite unit. An advanced frequency selection feature allows a user's pedal to trigger their own unit without triggering another nearby unit. Up to 32 PageFlip Lite users may operate their page turners independently in the same room. The range of each pedal is 50 feet, allowing a second person to operate the device remotely.

- **Versatility**

A collapsible support unit is supplied to allow the page turner to sit on a table or desk while supporting a large book at various tilt angles. The support unit is not necessary when a book rest is already available, as on a music stand or piano. In those cases, the PageFlip Lite mounts directly on the music stand or keyboard instrument.

- **Auto Power Off Function**

The PageFlip Lite automatically turns itself off approximately 20 minutes after the last operation is performed or if an error occurs.

- **Technical Support**

Additional information and videos can be found at <http://www.pageflip.com>

3 PACKAGE CONTENTS

In this package, you will find the following items. If any items are missing, please contact the dealer where you purchased the product.

1. PageFlip Lite Base Unit
2. Collapsible Support Unit
3. Book Holder
4. Wireless Pedal
5. AC Adapter
6. Carrying Bag
7. This User Guide

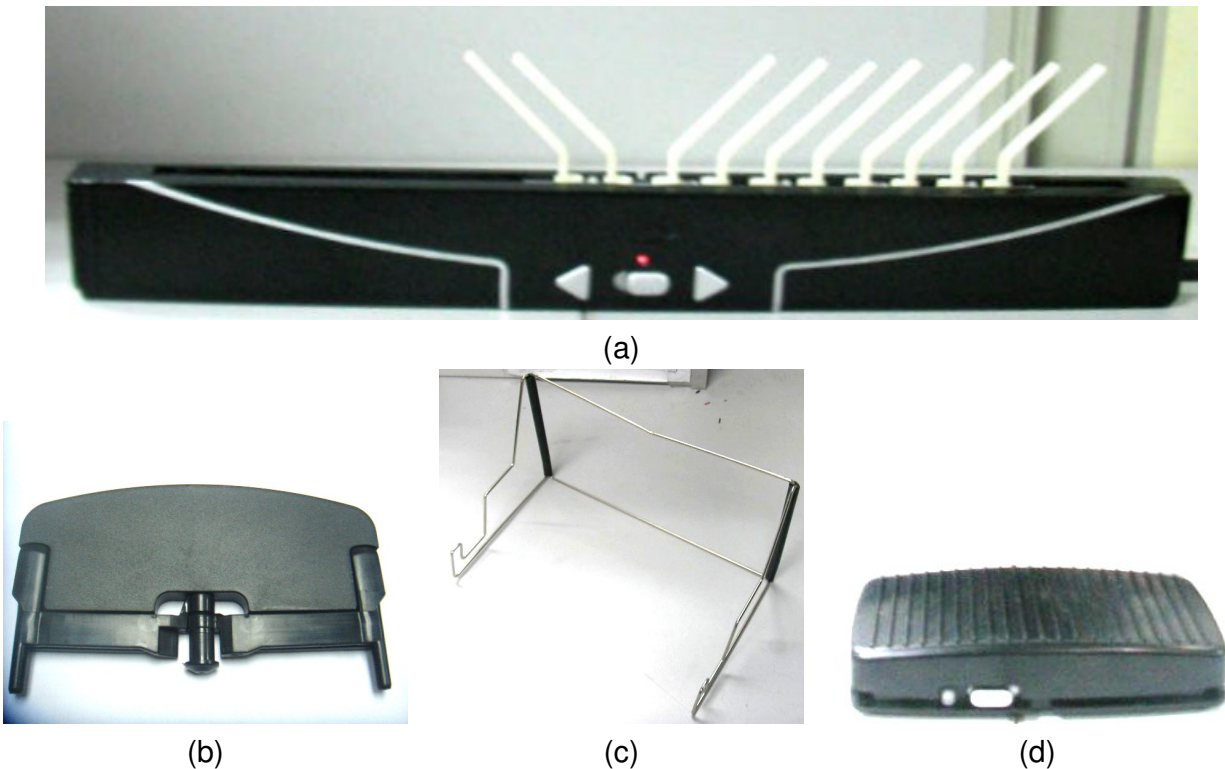


Figure 2: (a) PageFlip Lite; (b) Book holder; (c) Support unit; (d) wireless pedal.

4 BASIC OPERATION

Please read the operating instructions carefully before first use. The PageFlip Lite is designed to handle a wide variety of books. It is important, though, that the user closely follow the directions below in order to maximize performance, reliability, and reading pleasure.

4.1 Battery Installation for PageFlip Lite

1. Turn off the PageFlip Lite before inserting/removing the batteries.
2. Remove the two battery covers at the rear of the PageFlip Lite (Fig. 3(a)).
3. Install a total of four new AA alkaline batteries: two in each of the two battery wells.
4. Slide the battery covers back on.

Note: To conserve battery power, turn off the PageFlip Lite when it is not in use.

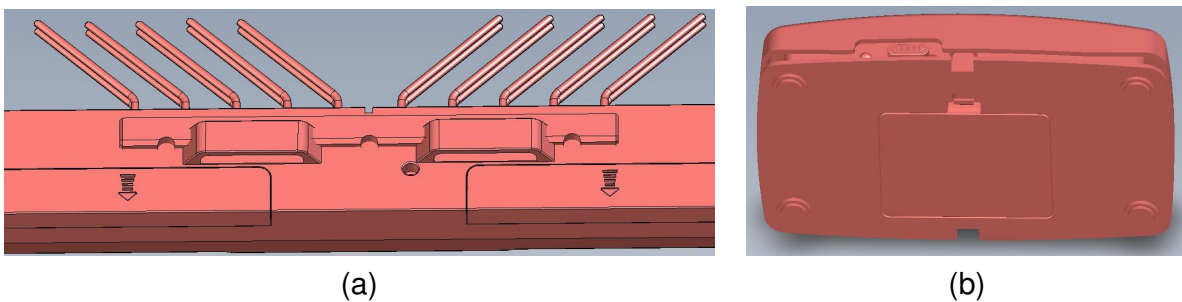


Figure 3: Battery covers at (a) rear of PageFlip Lite and (b) bottom of wireless pedal.

4.2 Battery Installation for Wireless Pedal

1. Turn off the wireless pedal before inserting/removing the batteries.
2. Open the battery cover on the bottom of the wireless pedal (Fig. 3(b)).
3. Install three new AA alkaline batteries.
4. Put the battery cover back on.

Note: To conserve battery power, turn off the pedal when it is not in use.

4.3 AC Adapter

In addition to being battery-operated, the PageFlip Lite page turner may also be plugged into the wall via the AC adapter (included). Plug the adapter into the top outlet on the side of the page turner (Fig. 4(c)).

4.4 Selecting a Workspace

Select a workspace that can securely hold the page turner. You may use:

1. a table or desk
2. the ledge of a music stand
3. the book rest of a keyboard instrument

If the workspace is a table or desk, you will need to use the collapsible support unit to prop up the PageFlip Lite and the attached book. Unfold the collapsible support unit and rest the PageFlip Lite in the bottom groove (Fig. 4). The horizontal crossbar of the support unit can be raised later to alter the tilt angle of the book that will rest upon it, as shown in Fig. 4(d).

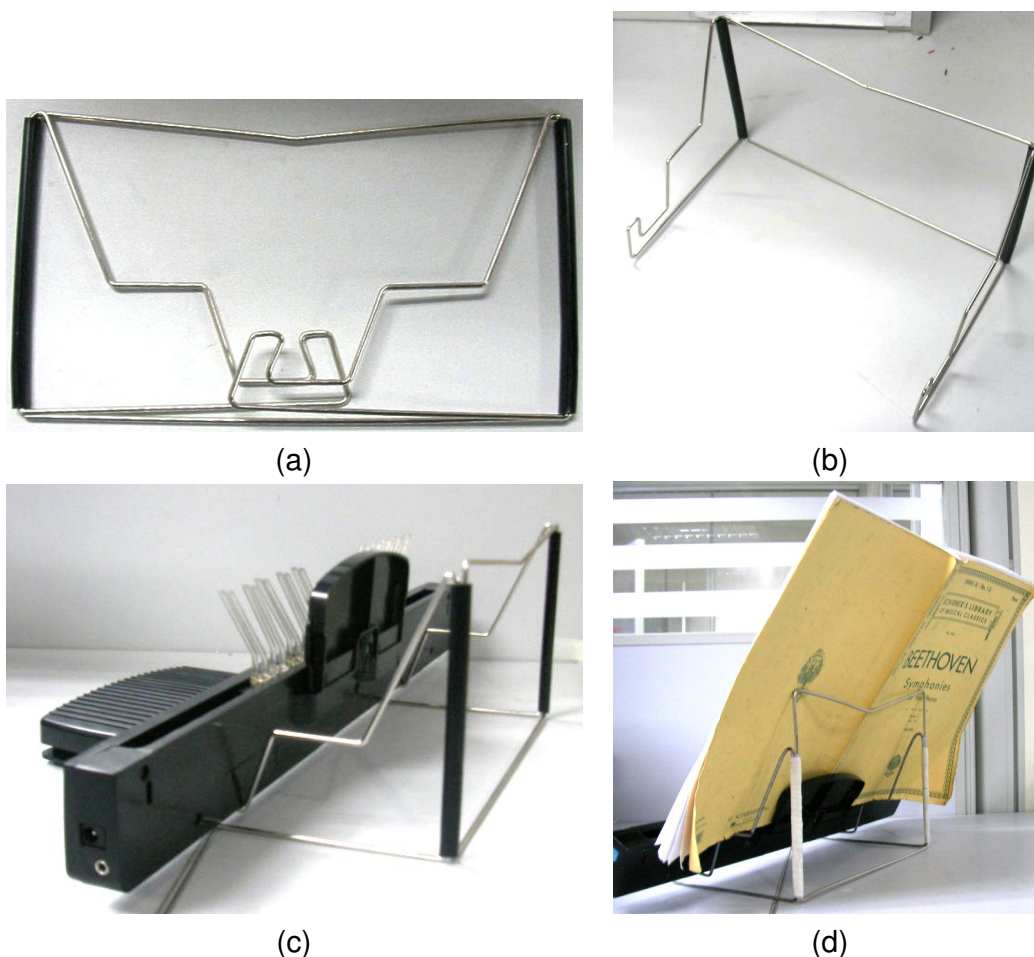


Figure 4: Collapsible support unit shown in the (a) closed and (b) opened positions. (c) PageFlip Lite and the attached book holder mounted on the support unit (rear view). (d) The horizontal crossbar of the support can be raised to alter the tilt angle of the book.

4.5 Power On the PageFlip Lite and Wireless Pedal

1. Slide the front switch of the PageFlip Lite to the On position (Fig. 5).
The LED light will blink slowly to indicate that the unit is on.
2. Slide the side switch of the wireless pedal to the On position (Fig. 5).
The LED lights on the pedal and the paired PageFlip Lite unit will now flash quickly.
3. After three seconds, both sets of LEDs will stop flashing and remain on continuously to indicate that the pairing process is complete.
4. An advanced frequency selection feature performs the wireless pairing automatically, permitting the pedal to trigger the page turner remotely, up to 50 feet away. As many as 32 users can uniquely pair their page turners and pedals within the same 50-foot range.



Figure 5: Power switches and LED lights on the PageFlip Lite and wireless pedal.

4.6 Triggering the Page Turner

The PageFlip Lite automatic page turner can be triggered to turn a page in one of three ways:

1. pressing the keys on the front panel
2. tapping the wireless pedal
3. activating an auxiliary switch

The direction of the page-turn cycle is selected by pressing the left or right keys, or the left or right ends of the pedal. For instance, tap one end of the pedal to turn pages forward; tap the other end to turn pages backwards.

Some users may opt to use large pushbutton switches or a sip-and-puff switch. In those cases, the switches must have a 1/8" stereo plug that will fit into the auxiliary switch outlet on the side of the PageFlip Lite. If your switch does not have a 1/8" stereo plug, please use an adapter.

4.7 Setting Up the Book Holder

The bookholder consists of a back support and two spring-loaded arms (Fig. 6(a)). Each arm has a tip that includes a page restraint to block loose pages from turning freely. In addition, the arms have two pegs that snap into rear slots on the PageFlip Lite to secure the book holder into place, as shown in Fig. 4(c) and Fig. 6(b). If you find the book holder already mounted into the rear of the page turner (Fig. 7) or Fig. 4(c)), pull the book holder upward and out.

1. Secure the book holder to the bottom edge of an open book. This is done by pulling the page restraints away from the supporting plate. An open book is slid into the space between the flexed arms and the supporting plate. Release the arms, allowing the compressive force of the springs to secure the book between the page restraints and the supporting plate.
2. Slide up to ten sheets out from under the page restraint. These pages will be free to turn.

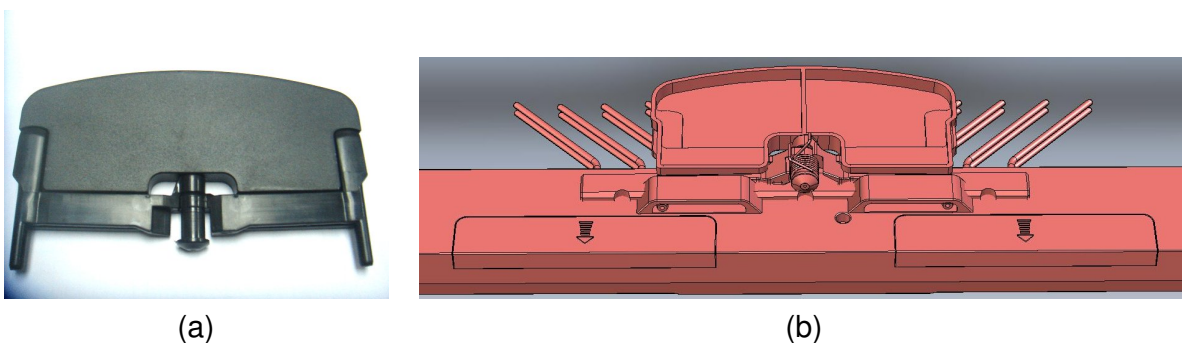


Figure 6: (a) Front and (b) rear view of book holder, whose pegs snap into rear slots on unit.

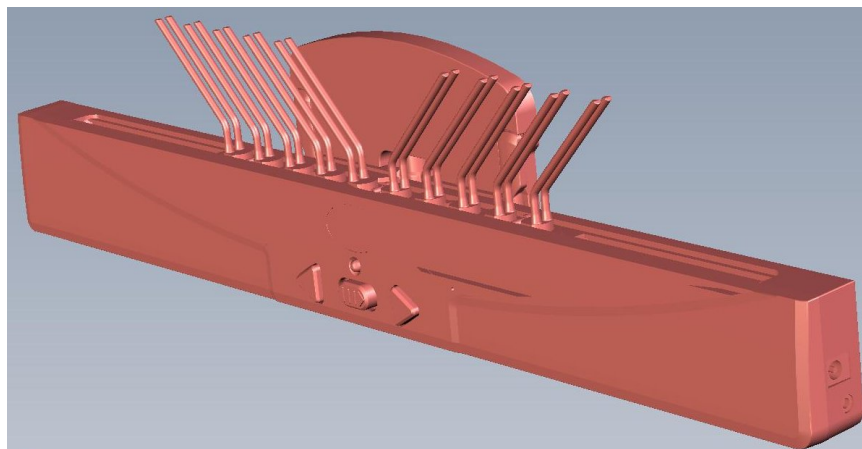


Figure 7: PageFlip Lite with mounted book holder.

4.8 Loading Pages into the Forked Arms

1. Lift the topmost page to be turned
2. Slide it through the slot of the centermost forked-arm (Fig. 8)
3. Press the left button on the panel to turn the page
4. Repeat the process for all pages
5. Rewind the pages by repeatedly pressing the right button

Page loading takes about three seconds per page. Loading all ten page slots will take less than a minute. Note that each page is slid into a forked-arm slot to restrain the pages into staying open and to guarantee that only one page will be turned at a time when the arm moves and rotates across the book. Please look at the videos on www.pageflip.com for more details.



Figure 8: Pages in arm slots are restrained until they are turned one at a time.

5 PRODUCT SPECIFICATION

Item	Specifications	
Model Name	PageFlip Lite	
Model Number	PFLITE-001	
Dimensions (W x H x D)	PageFlip Lite:	18.5 x 4.3 x 1.5 inches (469 x 108 x 39 mm)
	Wireless Pedal:	5.7 x 3.3 x 1.3 inches (145 x 83 x 33 mm)
Weight (without batteries)	PageFlip Lite:	12.9 ounces (367 grams)
	Wireless Pedal:	4.2 ounces (118 grams)
	Book Holder:	1.5 ounces (41.5 grams)
	Support Unit:	2.9 ounces (83 grams)
Power Requirements	PageFlip Lite:	DC 6.0V, 1.5W (4 AA batteries)
	Wireless Pedal:	DC 4.5V, .11W (3 AA batteries)
Power Consumption (in Operating Mode)	PageFlip Lite:	250 - 300 mA
	Wireless Pedal:	24 mA
Power Consumption (in Standby Mode)	PageFlip Lite:	50 mA
	Wireless Pedal:	23.7 mA
Output Power	0 dBm	
Operating RF Distance	50 feet (15.4 meters)	
Operating RF Range	2.405 - 2.465 GHz	
Operating Temperature	32° – 140° F (0°C - 60° C)	
Storage Temperature	-4° – 140° F (-20° - 60° C)	
Relative Humidity	15% - 90%	
Page Turning Speed	1 page / 1.5 second	
Wireless Channels	32 (simultaneous users)	
Setup Time	1 minute for experienced users	
Warranty	90 days	

6 MAINTENANCE

Before cleaning the PageFlip Lite or the wireless pedal, the following is recommended:

1. Turn off the power
2. Unplug the power cord
3. Take out the batteries

Gently wipe the surface of the PageFlip Lite with a soft, dry, lint-free cloth.

Caution:

Do not use water, liquid detergent or solvents for cleaning. Liquids might drip into the device's mechanical or electronic parts and cause damage to them.

7 GUARANTEE

PageFlip offers a 90-day warranty on the PageFlip Lite automatic page turner. The warranty commences on the date of purchase. Within the warranty period, PageFlip will repair or replace, free of charge, any units that have defects in parts or workmanship. Defective units must be returned postage paid as a complete unit to PageFlip or its authorized distributor.

Proof of purchase and a letter explaining the problem must accompany the returned unit. This warranty does not cover:

1. damage due to improper use
2. normal wear or use
3. defects that have negligible effect on the value or operation of the unit

The warranty becomes void if repairs are undertaken by unauthorized persons and if original PageFlip parts are not used.

Products no longer covered by a warranty may be repaired for a nominal fee. All repairs are warranted for 90 days. Before returning a product for refund or repair, please send email to support@pageflip.com with a description of the problem. PageFlip will respond with instructions on how to expediently resolve the matter. Repair charges must first be approved for products no longer covered by the warranty.

PageFlip offers a 30-day money back guarantee if our products do not meet your needs or expectations. Products must be returned postage paid in new condition in the original packaging to honor this service. A 15% restocking fee applies.

Contact us at:

PageFlip, Inc.

Woodmere, NY

USA

support@pageflip.com

www.pageflip.com