

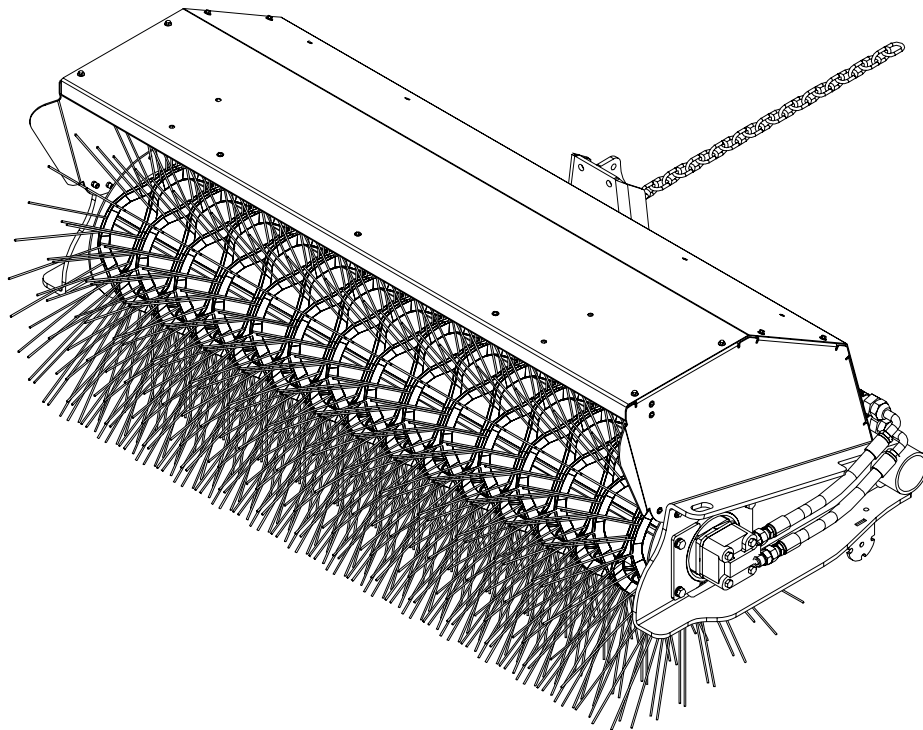


QC Series

AH, CH, RLH , RLCH & Loader
Hydraulic Windrow Sweepers



PALADIN LIGHT CONSTRUCTION



Sweepster Serial Number _____

Manual Number: 51-3849
Release Date: May 26,2006

Table of Contents

Section 1 ... Installation	5-19
Section 2 ... Operation and Maintenance	21-30
Section 3 ... Service	31-35
Section 4 ... Parts	37-68
Section 5 ... Options	69-78
Section 6 ... Appendix	79-86

Installation Manual

QC Series Angle Brooms

Table of Contents

Introduction	6
Safety Information	7-12
General Safety Information	7-8
Safety Signs & Labels	10-11
Product Information Section	12
AH/CH	13-16
Pump /Tank Mounting	13
Swing/Brush Head Mounting	14
Swing/Lift Mounting	15
Adjusting Scissor Swing	16
Loader	17
Installation/Storage	17
RLH/RLCH	18-201
Swing Assembly	18
Brush Head Assembly/Angle Feature	19-20

Introduction

Importance of this Manual



Read this manual before attempting to operate the equipment.

This operator's manual should be regarded as part of the sweeper. Suppliers of both new and secondhand sweepers are advised to keep documentation indicating that this manual was provided with the sweeper.

The manual contains information regarding installation, operation and maintenance required for this sweeper and optional equipment. It also includes detailed parts lists.

Purpose of Sweeper

This sweeper is designed solely for use in construction cleanup, road maintenance, grounds maintenance and similar operations. Use in any other way is considered contrary to the intended use. Compliance with and strict adherence to operation, service and repair conditions, as specified by the manufacturer, are also essential elements of the intended use.

This sweeper should be operated, serviced and repaired only by persons who are familiar with its characteristics and acquainted with relevant safety procedures.

Accident prevention regulations, all other generally recognized safety regulations and all road traffic regulations must be observed at all times.

Any modifications made to this sweeper may relieve the manufacturer of liability for any resulting damage or injury.

Safety Alert Symbol



This safety alert symbol indicates important safety messages in this manual. When you see this symbol, be alert to the possibility of injury. Carefully read the message that follows and inform other operators.

Contacting SWEEPSTER

If you have any questions about information in this manual or need to order parts, please call, write, fax or e-mail SWEEPSTER.

SWEEPSTER
2800 North Zeeb Road
Dexter, Michigan 48130
Phone: (734) 996-9116 - (800) 456-7100
FAX: (734) 996-9014
e-mail: sweepster@paladinbrands.com

For help with installation, operation or maintenance procedures, contact our Technical Service Department. Direct product questions and parts orders to our Sales Department.

When ordering parts or accessories, be prepared to give the following information:

- Sweeper model, serial number and date of purchase
- Prime mover, make and model
- Part number, description and quantity

Terms Used in Manual

Right-hand, left-hand, front and *rear* are determined from the operator's perspective (either the operator's seat or standing behind a walk-behind unit), facing forward in the normal operating position.

Prime mover refers to the tractor, truck, loader or tow vehicle that the sweeper is mounted on or towed by.

Optional Equipment

Installation instructions for optional equipment, if applicable, appear in the Service Manual Section.

Specifications & Features

Due to continuous product improvement, specifications and features may change without notice.

Warranty

To validate the warranty for this unit, fill out the warranty card or warranty pages located at the back of this manual. Then, send this information to SWEEPSTER.

Safety Information

Read this manual

Read all safety information in this manual. All operators must read and understand the entire contents of this manual before sweeping. General safety practices are listed on Safety Information pages and specific safety information is located throughout this manual.

Hazard Definitions

Four hazard classifications are used in this manual. They are



DANGER - Indicates an imminently hazardous situation which, if not avoided, will result in death or serious injury.



WARNING - Indicates a potentially hazardous situation which, if not avoided, could result in death or serious injury.



CAUTION - Indicates a potentially hazardous situation which, if not avoided, may result in minor or moderate injury.

CAUTION - Used for instructions when machine damage may be involved.

Operation



CAUTION - A sweeper is a demanding machine. Only fully trained operators or trainee operators under the close supervision of a fully trained person should use this machine.

Before operating sweeper:

- Learn sweeper and prime mover controls in an off-road location.
- Be sure that you are in a safe area, away from traffic or other hazards.
- Check all hardware holding the sweeper to the prime mover, making sure it is tight.
- Replace any damaged or fatigued hardware with properly rated fasteners. See Maintenance Section
- Make sure all hydraulic hardware and hydraulic fittings are tight.
- Replace any damaged or fatigued fittings or hoses.

- Check prime mover tire pressure before sweeping.
- Check tire ratings to be sure they match the prime mover load. Weigh the sweeper end of the prime mover, if necessary, to insure proper tire rating.
- Remove from the sweeping area all property that could be damaged by flying debris.
- Be sure all persons not operating the sweeper are clear of the sweeper discharge area.
- Always wear proper apparel such as a long-sleeved shirt buttoned at the cuffs; safety glasses, goggles or a face shield; ear protection; and a dust mask.

While operating sweeper:

- When operating sweeper, adhere to all government rules, local laws and other professional guidelines for your sweeping application.



WARNING - Never raise the sweeper more than a few feet off the ground. The sweeper can tip back or the prime mover can tip over causing death or serious injury,

- Before leaving the operator's area for any reason, lower the sweeper to the ground. Stop the prime mover engine, set the parking brake and remove the key from the ignition.
- Minimize flying debris - use the slowest rotating speed that will do the job. See Operation Section: Operating Tips
- Keep hands, feet, hair and loose clothing away from all moving parts.
- Leave the brush hood (shield) and all other shields and safety equipment in place when operating the sweeper and prime mover.
- Be aware of the extra weight and width a sweeper adds. Reduce travel speed accordingly. See Product Information Section: Operating the Sweeper.
- When sweeping on rough terrain, reduce speed to avoid "bouncing" the sweeper. Loss of steering can result.
- Never sweep toward people, buildings, vehicles or other objects that can be damaged by flying debris.
- Only operate the sweeper while you are in the operating position. The safety restraint must be fastened while you operate the prime mover. Only operate the controls while the engine is running. Protective glasses must be worn while you operate the prime mover and while you operate the sweeper.
- While you operate the sweeper slowly in an open area, check for proper operation of all controls and all protective devices. Note any needed repairs during operation of the sweeper. Report any needed repairs.

SAFETY SECTION
GENERAL SAFETY INFORMATION

Service & Repair - General



CAUTION - Do not modify the sweeper in any way. Personal injury could result. If you have questions, contact your dealer or SWEEPSTER.

Repair or adjust the sweeper in a safe area, away from traffic and other hazards.

Before adjusting or servicing - lower the sweeper to the ground, set parking brake, shut down the prime mover and remove the key from the ignition.

When working on or around the sweeper, safely secure it from falling or shifting.

Service & Repair - Hydraulic Safety

Stop the prime mover engine and release hydraulic pressure before servicing or adjusting sweeper hydraulic systems.



WARNING - Escaping hydraulic fluid can have enough pressure to penetrate the skin, causing serious personal injury.

Check lines, tubes and hoses carefully. Do not use your hand to check for leaks. Use a board or cardboard to check for leaks. Tighten all connections to the recommended torque. See Appendix.

Do not bend high pressure lines. Do not strike high pressure lines, Do not install bent lines, bent tubes, or kinked hoses. Do not install damaged lines, damaged tubes, or damaged hoses.

Repair loose lines, loose tubes, and loose hoses. Repair damaged lines, damaged tubes, and damaged hoses. Leaks can cause fires. See your SWEEPSTER dealer for repair or replacement parts.

Replace the parts if any of the following conditions are present:

- The end fittings are damaged or leaking.
- The outer covering is chafed or cut.
- The reinforcing wire layer is exposed.
- The outer covering is ballooning locally.
- The hose is kinked or crushed.
- The armoring embedded in the outer cover.
- The hoses have been pulled or stretched.

Make sure that all clamps, guards, and shields are installed correctly.

Notes

SAFETY SECTION
SAFETY SIGNS & LABELS

Safety Signs and Labels

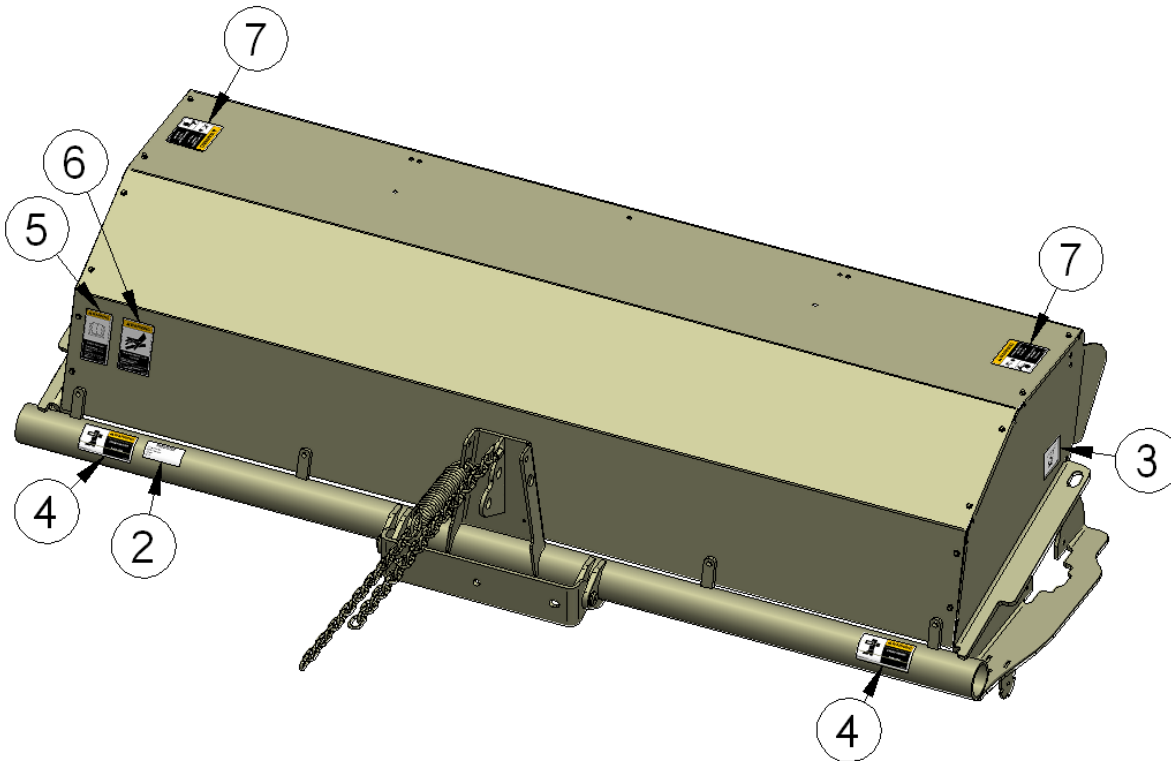
There are several specific safety signs on this sweeper. The exact location of the hazards and the description of the hazards are reviewed in this section.

Placement or Replacement of Safety Signs

1. Clean the area of application with nonflammable solvent, and then wash the same area with soap and water.
2. Allow the surface to fully dry.
3. Remove the backing from the safety sign, exposing the adhesive surface.
4. Apply the safety sign to the position shown in the diagram above and smooth out any bubbles.

Instructions

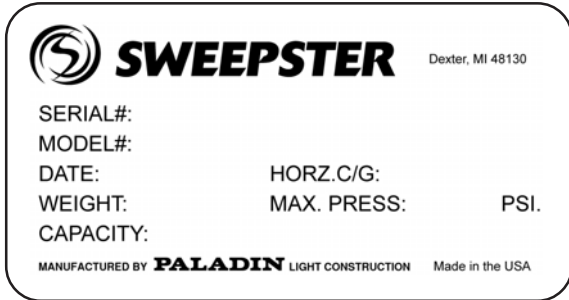
- Keep all safety signs clean and legible.
- Replace all missing, illegible, or damaged safety signs.
- Replacement parts, for parts with safety signs attached, must also have safety signs attached.
- Safety signs are available, free of charge, from your dealer or from SWEEPSTER.



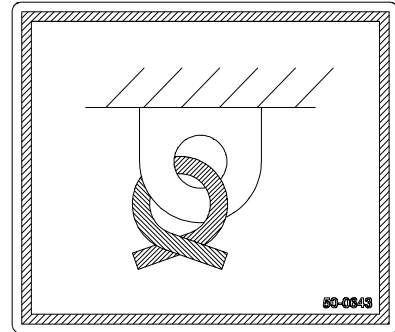
Item	Part Qty	Description
2.	50-0634	1 Label, Serial Number
3.	50-0643	2 Label, Tie Down Point
4.	50-0721	2 Label, Warning, Crush Hazard
5.	50-0722	1 Label, Warning, Misuse Hazard
6.	50-0725	1 Label, Warning, High Pressure Fluid Hazard
7.	50-0726	2 Label, Warning, Flying Objects & Entanglement

Item	Part Qty	Description
2.	50-0634	1 Label, Serial Number
3.	50-0643	2 Label, Tie Down Point
4.	50-0721	2 Label, Warning, Crush Hazard
5.	50-0722	1 Label, Warning, Misuse Hazard
6.	50-0725	1 Label, Warning, High Pressure Fluid Hazard
7.	50-0726	2 Label, Warning, Flying Objects & Entanglement

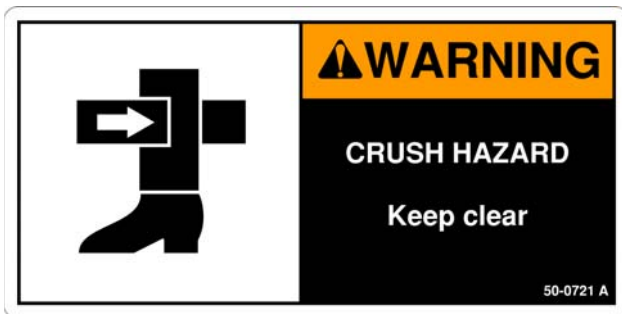
Safety Signs and Labels



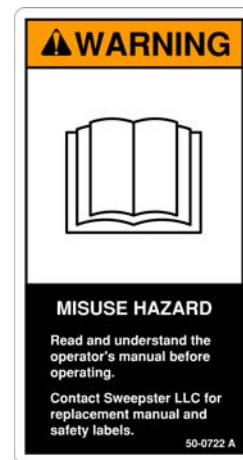
2. 50-0634



3. 50-0643



4. 50-0721



5. 50-0722



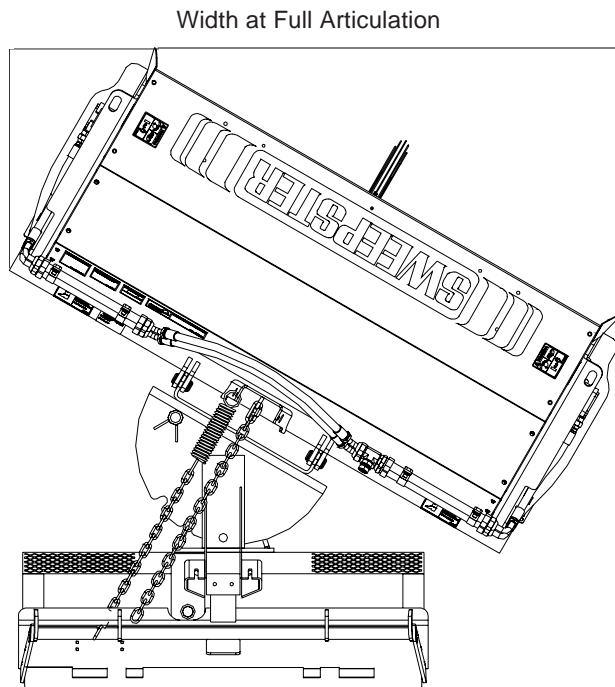
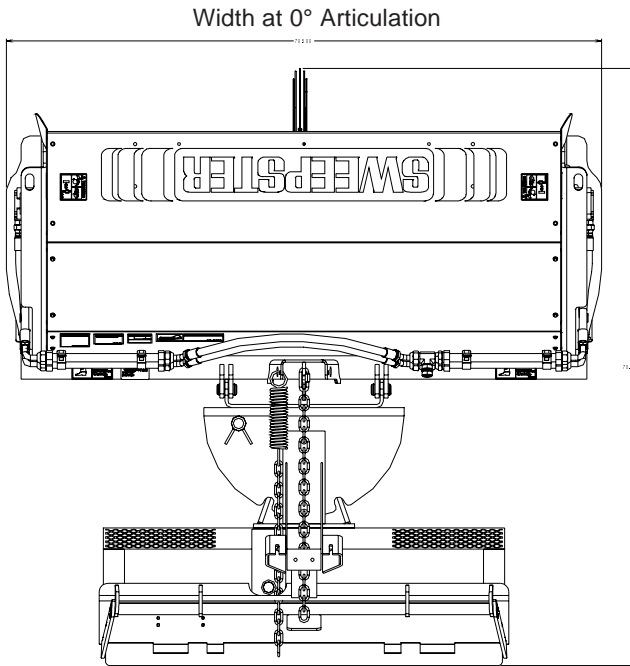
6. 50-0725



7. 50-0726

Product Information Section

Specifications and Model Views



QC Brush Head				
Approximate Weight (Brush Head Only)	Single Motor		Dual Motor	
	383 lbs	419 lbs	5 Ft	
	442 lbs	480 lbs	6 Ft	
	505 lbs	543 lbs	7 Ft	
	572 lbs	612 lbs	8 Ft	
Maximum Length at 0° Articulation	Varies (Mounting Dependent)			
Maximum Width at 0° Articulation	70.5 inches	5 Ft		
	82.5 inches	6 Ft		
	94.5 inches	7 Ft		
	106.5 inches	8 Ft		
Maximum Length at Full Articulation	Varies (Mounting Dependent)			
Maximum Width at Full Articulation	72 inches	5 Ft		
	82 inches	6 Ft		
	93 inches	7 Ft		
	103 inches	8 Ft		
Sweeping Width at 0° Articulation	60 inches	5 Ft		
	72 inches	6 Ft		
	84 inches	7 Ft		
	96 inches	8 Ft		
Sweeping Width at Full Articulation	54 inches	5 Ft		
	64 inches	6 Ft		
	75 inches	7 Ft		
	85 inches	8 Ft		

Range of Hydraulic Oil Flow		
Single Motor	18 cubic inch	10-18
Single Motor	25 cubic inch	12-25
Dual Motor	18 cubic inch	18-36
Maximum Hydraulic Oil Pressure		
Single Motor	18 cubic inch	3500 psi
Single Motor	25 cubic inch	3000 psi
Dual Motor	18 cubic inch	3500 psi

Mounting, Pump & Tank Assemblies

NOTE - The following give general instructions. Refer to instructions included with the mounting assembly for information specific to a particular prime mover make and model.

Front Pump Units

1. Remove any parts, such as a knockout, that block access to the tractor engine's crankshaft pulley.
2. Attach the mounting assembly to the tractor.
3. Secure the drive hub to the pulley. Some tractors require a crankshaft adapter.
4. Install the pump mounting bracket on the front of the tractor. Position the pump so the inlet faces the right-hand side of the unit. Do not secure with hardware.
5. Assemble the coupling halves and fasten the chain around them.
6. Apply grease to the pump and drive shafts.
7. Slide the coupling assembly onto the pump shaft.
8. Place the keyed end of the drive shaft in the chain coupler.
9. Slide the drive shaft into the drive hub.
10. Fasten the pump to the bracket.
11. Center the chain coupler and tighten set screws.
12. Install the tank and valve assembly.
13. Install hydraulic fittings and hoses.
 - a. Attach the barb fitting to the pump inlet and the adapter fitting to the pump outlet.
 - b. Connect the suction hose to the tank outlet and to the barb fitting on the pump inlet. Secure with clamps.
 - c. Attach the 36 inch hose to the valve and the pump's outlet port. Tighten the fittings.
14. Go to Swing Assembly.

Rear Pump Units

1. Install the mounting assembly on the tractor.
2. Attach the pump to the rear PTO shaft and secure it with the chain provided. This prevents the pump from spinning on the shaft.

CAUTION- Avoid damage to the pump and other hydraulic components. Do not use rear pump drive on PTOs faster than 540 RPM.

3. Install the tank and valve assembly.
4. Install hydraulic fittings and hoses.
 - a. Attach the barb fitting to the pump inlet and the adapter fitting to the pump outlet.
 - b. Connect the suction hose to the tank outlet and to the barb fitting on the pump inlet. Secure with clamps.
 - c. Attach the pressure hose to the valve and the pump's outlet port. Tighten fittings.
5. Go to Swing Assembly.

INSTALLATION SECTION

AH/CH

Swing Assembly

Figure 1 shows the swing assembly attached to the mounting assembly.

1. Position the swing assembly in front of the mounting assembly. Remove the pin(s) from the swing assembly.
2. Align holes in the swing assembly with ears on the mounting assembly. Slide pin(s) through the holes and secure with cotter pin(s).
3. Go to Brush Head Assembly.



figure 1

Brush Head Assembly

1. Position the brush head assembly in front of the swing assembly.
2. Align holes in the brush frame and swing assembly. Install hardware, using the cap screw in the center hole and carriage bolts in the remaining holes.
3. Align the brush head plate with the swing assembly plate and tighten the hardware.
4. Assemble the spring-chain assembly/assemblies. Attach the spring end(s) to the brush head upright. Then place the chain in a slot on the swing plate upright. Figure 2 shows a spring-chain assembly installed on the unit.
5. Connect the transport chain, which is attached to brush head upright, to the remaining slot on the swing plate upright. Figure 3 shows a transport chain installed.

NOTE - Use the transport chain to take weight off the spring-chain assembly/assemblies while transporting the unit between job sites.

6. Attach 2, 3/4 inch hoses to brush head tubes. Then, connect the top hose "T" to the filter base and the bottom hose "P" to the run port on the valve.

NOTE: CH units with manual valves should first move "T" fitting to left side tubes as shown in figure 3. This will provide enough hose length to make the proper connection.



figure 2

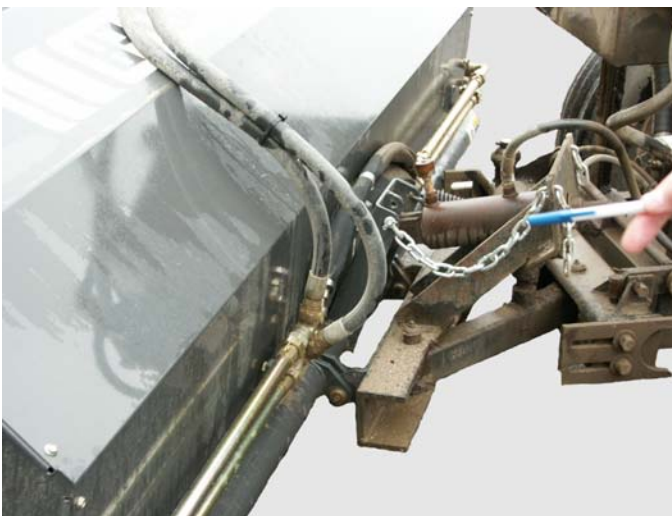


figure 3

Swing Cylinder

Figure 4 shows the cylinder fully installed.

1. Connect a hose to each fitting on the cylinder.
2. Attach adapter fittings to hose ends.
3. Connect adapter fittings to remote valves (manual valves) or the Up port (electric valves).

Lift Cylinder

Figure 5 shows the lift cylinder fully installed.

1. Slide the rod end of the cylinder through the plate on the swing plate upright. Install flat washer and secure with a nut.

CAUTION - Avoid cylinder damage. Only place 1 nut on the rod.

2. Attach the barrel end to the center ear on the brush head upright. Use the clevis pin and hairpin clip provided.
3. Connect a hose to the elbow fitting on the cylinder.
4. Connect the hose to the first valve that has a single port (manual valves) or the L port (electric valves).



figure 4



figure 5

INSTALLATION SECTION

AH/CH



Figure 6

Adjusting Scissor Swing

CAUTION - Support yokes must fit tightly to the brush frame, or damage to the swing cylinder will occur.

1. Loosen hardware holding support yokes.
 2. Swing the brush head completely to the right.
 3. Slide the right-hand support yoke toward the brush head until it is snug on the brush frame tube, tighten nuts.
 4. Swing the brush head completely to the left.
 5. Slide the left-hand support yoke until it is snug on the brush frame tube, tighten nuts.
 6. Swing the brush head assembly both directions and check to make sure that the support yokes fit tightly to the brush frame. If not, repeat this procedure from step 1.
-

Before First Use

1. Fill the tank to 2 inches (51mm) from the top. Use ISO VG-46 hydraulic oil.
 2. Make sure that the tractor parking brake is on and the tractor is in neutral. Then, prime the pump.

Front pump units - Turn the engine on and off in short bursts without starting.

Rear and mid pump units - Rapidly engage and disengage the PTO while the engine is running.
 3. Check the amount of oil in the tank. Add oil as required to bring it to the proper level.
 4. Run the engine at a slow idle. Stop the engine and then check for hydraulic leaks. Make corrections before proceeding.
 5. Start the tractor again. Engage the brush and let it run while watching for excess vibration or other problems. Test swing and lift functions. Make corrections before proceeding.
 6. Perform procedures described in Adjusting Scissor Swing (scissor swing only) and Leveling, Setting, Brush Pattern, Adjusting Spring-Chain Assemblies and Adjusting Transport Chain in the Maintenance Section.
-

Sweeper Installation (Broom to Prime Mover)



WARNING - Improper attachment of sweeper could result in injury or death. Do not operate this machine until you have positive indication that the attachment is securely mounted.

1. Position the broom on a level surface.
2. Enter the prime mover.
3. Fasten the safety restraints.
4. Start the engine.
5. Disengage the parking brake.
6. Align the attachment mechanism with the mounting on the broom, attach to the prime mover. Follow the attaching procedure in the prime mover owners manual.
7. Engage the parking brake and shut down the prime mover. Be sure to relieve pressure to the auxiliary hydraulic lines.
8. Unfasten safety restraints and exit the prime mover.
9. Ensure that the hydraulic quick couplers are clean. Connect hydraulic lines for the broom to the prime mover. Twist the collar of the quick couplers one quarter of a turn in order to secure the hydraulic connections.
10. While the loader arms are lowered, visually inspect the attachment mechanism to ensure that it is securely mounted.



WARNING - Improper attachment of sweeper could result in injury or death. Do not operate this machine until you have positive indication that the attachment is securely mounted.

Removing the Sweeper



WARNING - Serious injury or death may result from disengaging the sweeper when the sweeper is in an unstable position or carrying a load. Place the sweeper in a stable position before disengaging.

CAUTION - Hoses for the sweepers must be removed before the quick attach is disengaged. Pulling the sweeper with the hoses could result in damage to the prime mover or the sweeper.

1. Lower the broom to the ground.
2. Engage the parking brake and shut down the prime mover. Be sure to relieve pressure to the auxiliary hydraulic lines.
3. Unfasten safety restraints and exit prime mover.
4. Disconnect the broom hydraulic lines from the prime mover. Connect quick couplers together to keep clean.
5. Disengage attachment mechanism. (mechanical type)
6. Enter prime mover, fasten safety restraints and start the prime mover.
7. Disengage attachment mechanism. (hydraulic type)
8. Disengage the parking brake, and back away from the broom.

Storage

CAUTION- Do not store the sweeper with weight on the brush. Weight will deform the bristles, destroying the sweeping effectiveness. To avoid this problem, place the sweeper on blocks.

Do not store polypropylene brushes in direct sunlight. The material can deteriorate and crumble before the bristles are worn out.

Keep polypropylene brush material away from intense heat or flame.

INSTALLATION SECTION

RLH/RLCH

Swing Assembly

1. Slide the pump onto the rear PTO. Secure with a chain. Attach the barb to the pump inlet and the elbow and relief fittings on the pump outlet (figure 7.)
2. Attach bottom plates to the swing assembly using hitch pins supplied. Plates go inside the frame with bends to the center.
3. Connect 39-link chains to bottom plates with shackles.
4. Fasten keyhole plates to the tractor toplinek using pins from the tractor (figure 8).
5. Position the swing assembly behind the 3-point hitch with the half-moon plate to the rear.
6. Lower hitch arms fully.
7. Slide hitch arms onto pins welded to the swing assembly. Secure with ring pins.
8. Secure the tractor toplinek to the top of the swing assembly using a pin.
9. Raise the hitch until the dimension from the slot in the center of the swing plate to the ground measures 16 inches (406mm). See figure 9
10. Level the swing assembly from front to back using the toplinek and side to side using the adjustable hitch arm.
11. Attach drop chains to keyhole plates. Adjust so chains keep the 16 inch (406mm) dimension.

NOTE - For best sweeping results, keep the swing assembly at least 16 inches (406mm) above the ground and 21 inches (533mm) high to sweep snow. Otherwise, material tends to carry over the brush and onto the area swept.

Check Disabler

For rear-mounted brooms the integral check valve cartridge, located in each motor, must be replaced with a blank cartridge, part number 03-4891.

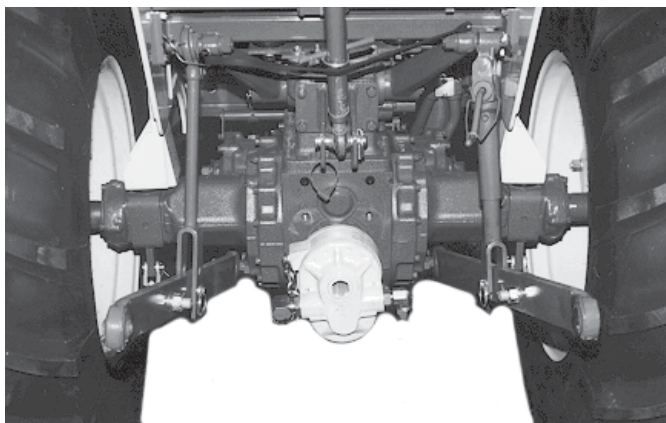
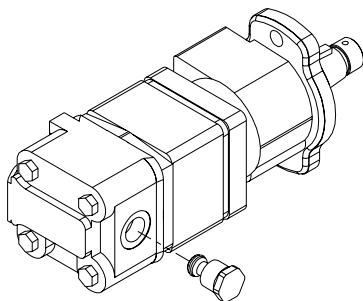


Figure 7

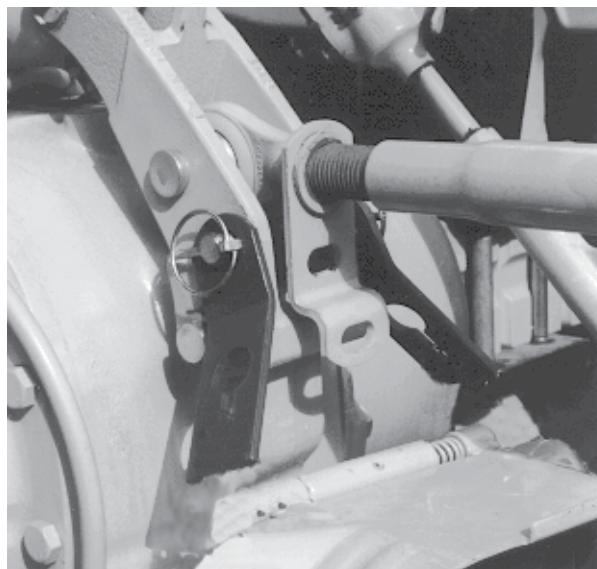


Figure 8

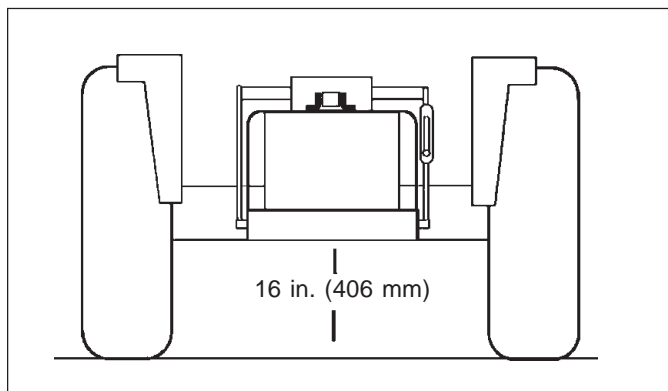


Figure 9

Brush Head Assembly

1. Position the brush head assembly behind the swing assembly.
2. Align holes in the brush frame and swing assembly. Install 3 carriage bolts, flat washers, lock washers and nuts. Do not tighten the hardware; it must remain loose to level the brush head assembly.
3. Assemble the spring-chain assembly/assemblies. Attach the spring end(s) to the brush head upright. Then place the chains in the slots on the swing assembly upright.
4. Connect the transport chain, which is attached to brush head upright, to the remaining slot on the swing assembly upright.

NOTE - Use the transport chain to take weight off the spring-chain assembly/assemblies while transporting unit between job sites.

5. Connect pressure and return hoses to prime mover remotes.

NOTE - If 12 gpm (45.4 lpm) is not available, purchase a power pack from SWEEPSTER.

6. Attach the pressure hose to the rear tube on the brush head and the return hose to the front tube. The



Figure 10

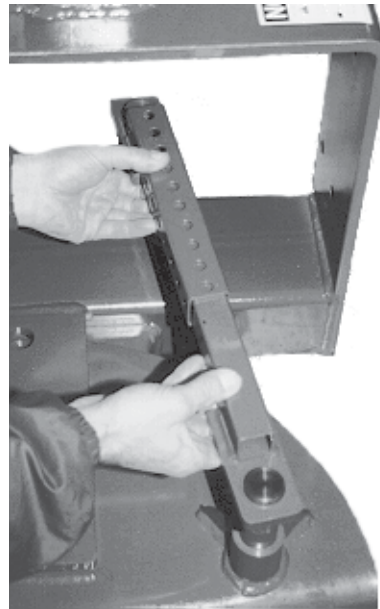


Figure 11



Figure 12

Angle Feature

Manual Angle Kit

NOTE - Some sweepers use hydraulic swing instead of manual angle kit. See Swing Cylinder later in this section or Option - Hydraulic Swing/Electric Valve at the back of this manual.

1. Slide the inner link into the outer link (figure 10).
2. Place link ends on swing assembly pins (figure 11). Secure with cotter pins.
3. Position the brush head assembly at the desired angle. Align holes in both links and install lock pin to keep the brush head assembly in position (figure 12).

INSTALLATION SECTION

RLH/RLCH

Hydraulic Angle Kit

NOTE - For hydraulic swing with electric valves, refer to Option - Hydraulic Swing/Electric Valve at the back of this manual.

1. Attach fittings to the cylinder with the elbow fitting on the rod end and the orifice fitting on the barrel end (figure 13).
 2. Install the cylinder with the barrel end on the swing assembly and the rod end on the swing plate. Secure with cotter pins (figure 14).
 3. Connect a hose to each fitting.
 4. Attach adapter fittings to hose ends.
 5. Connect adapter fittings to remote valves on the prime mover.
-



Figure 13

Before First Use

1. Run the prime mover engine at a slow idle. Stop the engine and then check for hydraulic leaks. Make corrections before proceeding.
 2. Start the prime mover again. Engage the brush and let it run while watching for excess vibration or other problems. Test swing and lift functions. Lower the sweeper to the ground, set the parking brake, shut down the prime mover and remove the key from the ignition; make corrections before proceeding.
 3. Perform procedures described in Leveling, Setting Brush Pattern, Adjusting Spring-Chain Assemblies and Adjusting Transport Chain in the Maintenance section.
-

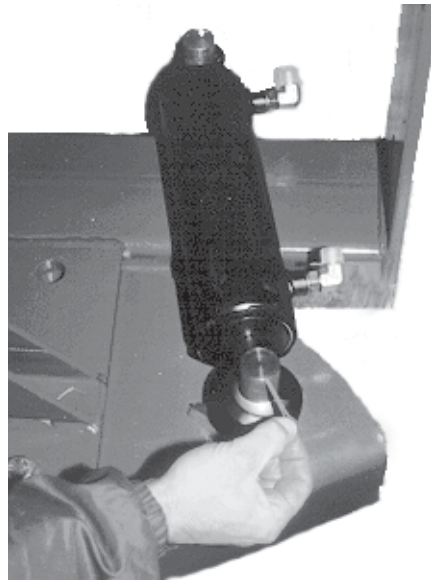


Figure 14

Operation and Maintenance Manual

QC Series Angle Brooms

Table of Contents

Operation	22-25
Operation	22-23
Storage	23
Leveling Sweeper	24-25
Maintenance.	26-30
Maintenance Schedule	26
Maintenance Record	27
Brush Pattern Adjustment	28
Replacing Brush Sections	29
Lubrication Points	30

OPERATION SECTION SWEEPING/OPERATING TIPS

Before Each Use

Perform daily maintenance as indicated in Maintenance Schedule.

Run the prime mover and sweeper at a slow idle. Check for hydraulic leaks or other problems and make corrections, if necessary, before using the sweeper. See "Hydraulic inspection guideline".



WARNING - Avoid serious injury. Check for large objects that could harm the operator or others if thrown by the sweeper. Remove these items before operating.

During Use

Directing Debris

Carry the sweeper low to the ground so that the operator has good visibility and stability. Avoid any sudden movements.

Avoid excessive downward pressure on the brush sections to prevent excessive wear. A two to four inch wide pattern is sufficient for most applications. Ensure that the adjustment bolts are equally adjusted in order to prevent an uneven wear pattern. To adjust brush pattern see "Adjusting Brush Pattern".

Direct debris by angling the brush head in that direction.

Observe wind direction. Sweeping with the wind makes sweeping more effective and helps keep debris off the operator.

The terms *swing* and *angle* are used interchangeably.

Manual Angle Kit

1. Remove the lock pin from links.
2. Position the brush head at the desired angle, aligning holes in the inner and outer link.
3. Insert and close the lock pin.

Hydraulic Angle Kit

1. Start the prime mover.
 2. Rear or mid pump units only - Engage the PTO.
 3. Position the brush head at the desired angle by using the valve control for the swing function.
-

Engaging Functions - Tractor Mounts

Methods for engaging run, swing and lift functions differ according to how the unit is equipped.

Manual Valves with Control Rods

Control rod functions are marked with a label. Pull or push control rods according to instructions.

<i>Brush Run</i>	<i>Swing</i>	<i>Lift</i>
Push to stop Pull to run	Push to angle left Pull to angle right	Push to lower Pull to raise

Manual Valves without Control Rods

Engage functions with valve control handles.

- With SWEEPSTER hydraulic run, swing and lift:

The first handle (closest to the operator) controls lift. Push forward to lower and pull back to raise.

The second handle activates the swing function. Push forward to angle left and pull back to angle right.

The third handle controls brush rotation. Pull back to run and push forward to stop.

Electric Valves

Activate valves with switches on the control box. Functions are marked with a label.

Prime Mover Valves

Activate valves with prime mover controls.

Sweeping

To sweep:

1. Manual angle kit only - Swing the brush head assembly the direction that you want to direct debris.
2. Start the prime mover at idle and raise the brush.
3. Rear pump units only - Engage the PTO.
4. Hydraulic angle kit only - Swing the brush head assembly the direction that you want to direct debris.
5. Engage the brush and then lower it to the ground.
6. Increase prime mover engine rpm to sweeping speed.

CAUTION - Avoid hydraulic pump damage on rear pump units. Do not run the engine at speeds above standard PTO RPM. This will destroy the pump.

7. Travel forward at 5 mph (8 kph) or less.

CAUTION - Avoid sweeper damage. Reduce travel speed to avoid hitting immovable objects.

Brush Head Storage

CAUTION - Do not store sweeper with weight on the brush. Weight will deform the bristles, destroying the sweeping effectiveness. To avoid this problem, place the sweeper on blocks or use optional stands.

Do not store polypropylene brushes in direct sunlight. The material can deteriorate and crumble before the bristles are worn out.

Keep polypropylene brush material away from intense heat or flame.

Operating Tips

CAUTION - Avoid sweeper damage. Do not ram into piles. Use an appropriate attachment for this type of job.

Brush, Engine & Travel Speeds

Vary brush, engine and travel speeds to match sweeping conditions.

Large Areas

When sweeping a large area, such as a parking lot, make a path down the middle and sweep to both sides. This reduces the amount of debris that the sweeper must sweep to one side.

Snow

Fast brush speeds and slow travel speeds are needed to sweep snow effectively. Start at 3/4 throttle and the lowest gear of the prime mover. For wet and/or deep snow, increase to almost full throttle. This helps keep snow from packing up inside the brush hood.

In deep snow you may need to make multiple passes to get down to a clean surface.

To keep snow from blowing back onto a swept area, always sweep so the wind is at your back.

Dirt & Gravel

To keep dust at a minimum, use the optional dust suppression kit or plan sweeping for days when it is overcast and humid or after it has rained. Also, sweep so the wind blows at your back.

Low brush speeds and moderate travel speeds work best for cleaning debris from hard surfaces. Brush speeds that are too fast tend to raise dust because of the aggressive sweeper action.

To sweep gravel, use just enough brush speed to "roll" the gravel, not throw it.

Heavy Debris

Travel slowly - 2-3 mph. (3-5 kph)

Sweep a path less than the full width of the sweeper.

Increase engine speed if debris becomes very heavy.

MAINTENANCE SECTION

LEVELING THE SWEEPER

Leveling

Level the sweeper for even brush wear and effective use.



CAUTION - Avoid injury. Before adjusting the sweeper, always turn off the sweeper and the prime mover engine and remove the key.

1. Move the sweeper to a flat, paved surface.
2. Lower the brush head assembly so the brush is 2 inches (51 mm) above the ground.
3. Engage the parking brake and shut down the prime mover. Be sure to relieve pressure to the auxiliary hydraulic lines.
4. Unfasten safety restraints and exit prime mover.
5. Check if the swing assembly is level by using a bubble level. To make corrections:

Scissor swing/plate swing on tractor - Turn leveling bolts(A) (figure 15 and 16) in or out in equal amounts. If the front of the swing assembly is high, turn the leveling bolts in. If it is low, turn the leveling bolts out.

Loader with quick attach mounting - Adjust tilt cylinders. If the front of the swing assembly is high, extend tilt cylinders. If low, retract cylinders.

RLH/RLCH - Adjust the toplink. If the rear of the swing assembly is high, lengthen the toplink. If low, shorten the toplink.

6. Position the brush head assembly straight ahead. On each side, measure from the brush frame to the ground (figure 17). If measurements are not equal:

Scissor swing - Turn adjustment screw (B) (figure 15) in to lower the right-hand side of the brush head assembly. Turn it out to lower the left-hand side.

Plate swing on Tractor/Loader - Loosen hardware that attaches the swing assembly to the brush head assembly; lower the high side of the brush head until both sides are an equal distance above the ground. Tighten the hardware.

RLH/RLCH - Raise or lower the adjustable hitch arm.

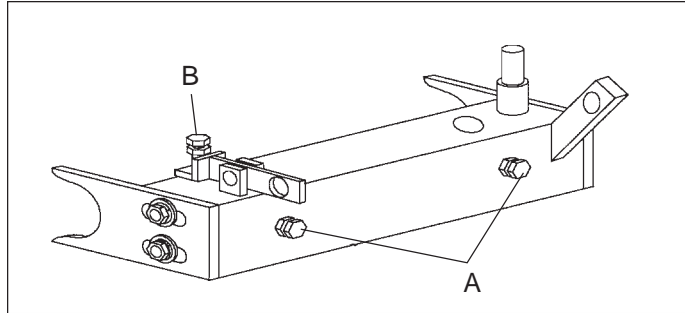


FIGURE 15

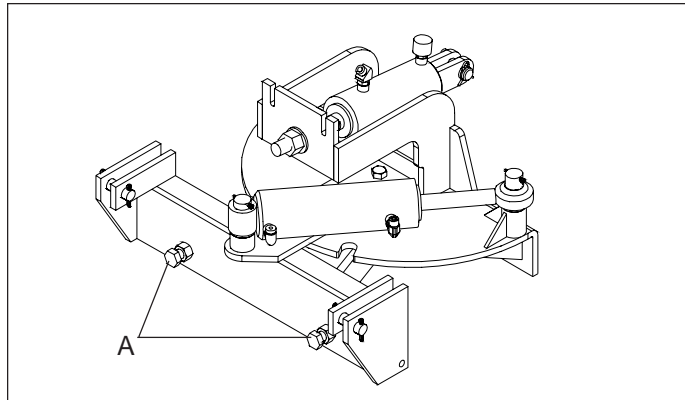


FIGURE 16

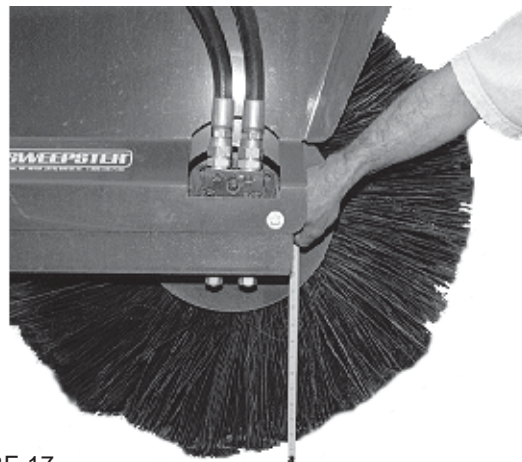


FIGURE 17

MAINTENANCE SECTION
LEVELING THE SWEEPER

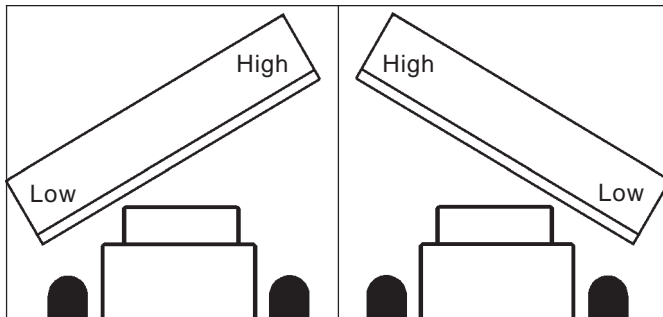


figure 18

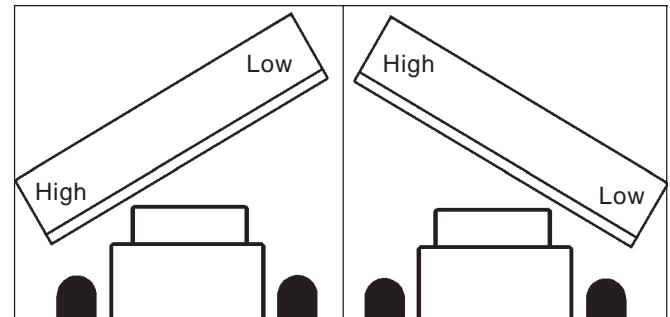


figure 20

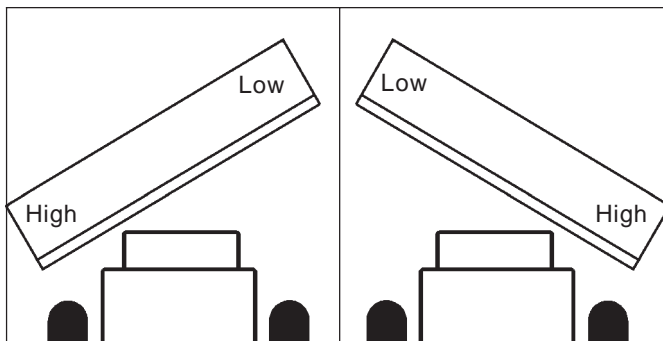


figure 19

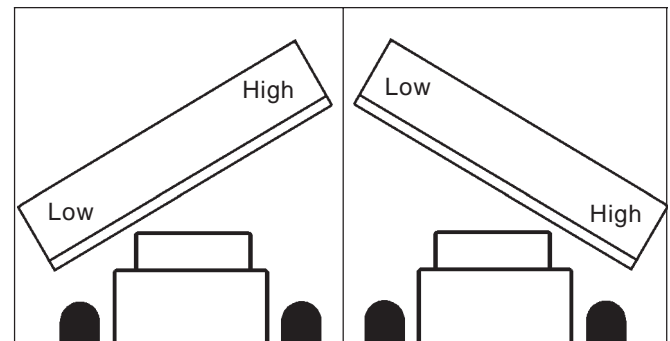


figure 21

7. Measure to see if the brush head assembly is level when angled. First, angle the brush head to the right. Measure as in step 4. Then, angle the brush head to the left. Measure again. If measurements are equal, the sweeper is level. If not, proceed with this step.

Scissor swing - To correct leveling problems in:

- figure 18, turn leveling screws out. (figure 20, A)
- figure 19, turn leveling screws in. (figure 20, A)
- figure 20, turn the adjustment screw in. (figure 20, B)
- figure 21, turn the adjustment screw out. (figure 20, B)

Plate swing on tractor - To correct leveling problems shown in:

- figure 18, turn leveling screws out. (figure 21, A)
- figure 19, turn leveling screws in. (figure 21, A)
- figure 20, loosen hardware that attaches the swing assembly to the brush head assembly; lower the left-hand side of the brush head until both sides are an equal distance above the ground. Tighten the hardware.
- figure 21, loosen hardware that attaches the swing assembly to the brush head assembly; lower the right-hand side of the brush head until both sides are an equal distance above the ground. Tighten the hardware.

Loader - To correct leveling problems shown in:

- figure 18, extend tilt cylinders.
- figure 19, retract tilt cylinders.
- figure 20, loosen hardware that attaches the swing assembly to the brush head assembly; lower the left-hand side of the brush head until both sides are an equal distance above the ground. Tighten the hardware.
- figure 21, loosen hardware that attaches the swing assembly to the brush head assembly; lower the right-hand side of the brush head until both sides are an equal distance above the ground. Tighten the hardware.

RLH/RLCH - To correct leveling problems in:

- figure 18, lengthen the hitch toplink.
- figure 19, shorten the hitch toplink.
- figure 20, lower the adjustable 3-Point hitch arm.
- figure 21, raise the adjustable 3- Point hitch arm.

MAINTENANCE SECTION
 MAINTENANCE SCHEDULE

Maintenance Schedule

Procedure	Before Each Use	After Each Use	100 Hours	500 Hours	See Prime Mover Manual
Brush head assembly - Level	✓				
Brush pattern - Check (See Pattern Adj. Section)	✓				
Cylinders - Retract rods		✓			
- Grease threaded and ball ends to prevent rust		✓			
Drive shaft, pump - Check (AH/CH; Power Pack)	✓				
Filter, air, prime mover - Clean					✓
Filter, hydraulic - Replace (AH/CH)			✓		
Fittings/hoses, hydraulic - Check for leaks/tighten Check for damage	✓				
Fittings, zerk - Grease. (See lubrication points)	✓				
Oil, hydraulic - Check Level (AH/CH)	✓				
- Replace (AH/CH); use ISO VG-46 hydraulic oil				✓	
Hardware - Check for tightness	✓				
Swing plate - Grease (CH/RLH/RLCH/Loader)	✓				

MAINTENANCE SECTION
BRUSH PATTERN/SPRING CHAIN/TRANSPORT CHAIN

Setting Brush Pattern

A properly adjusted brush offers the best sweeper performance. To check the brush pattern:

1. Move the sweeper to a dusty, flat surface.
2. Set the prime mover's parking brake and leave the engine running.
3. Start the sweeper at a slow speed: lower it so the bristle tips touch the ground. Run the sweeper in a stationary position for 10 seconds.
4. Raise the sweeper and back away; switch off the engine and remove the key. The brush pattern left in the dust should be 2-4 inches (51-102 mm) wide, running the length of the brush. (Compare the swept area with figure 22.)
5. Adjust the brush pattern as necessary according to instructions found in adjusting the Spring-Chain Assembly.

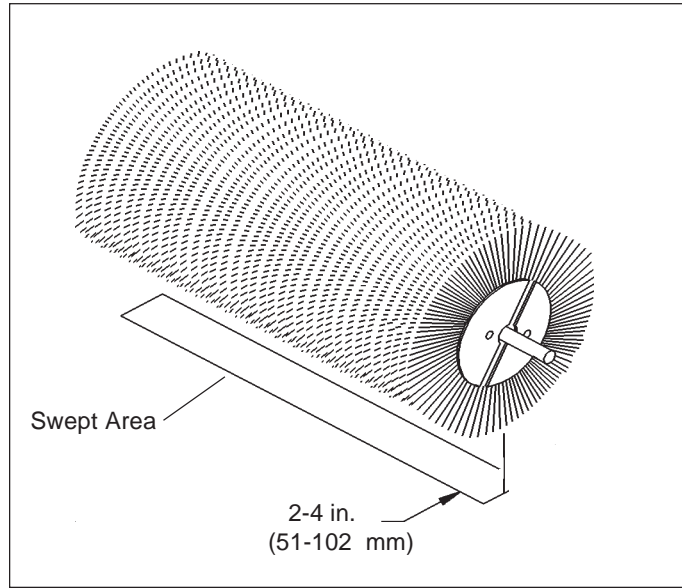


Figure 22

Adjusting Spring-Chain Assembly

The spring-chain assembly allows the brush head to pivot up and down.

To adjust the brush pattern:

1. AH/CH - Raise the sweeper.
RLH/RLCH/LOADER - Lower the sweeper.
2. Tighten the transport chain and lower the sweeper so the transport chain supports weight.
3. Move the spring chain forward in the swing assembly chain holder to lower the brush head or backward in the holder to raise it.

Tightening Transport Chain

The transport chain supports the weight of the brush head assembly during transport between work sites and during adjustment of the spring-chain assemblies.

To adjust the transport chain:

AH/CH/RLH/RLCH

1. Raise the sweeper.
2. Tighten the transport chain.
3. Lower the sweeper so the transport chain supports the weight of the sweeper.

Loader

1. Extend tilt cylinders.
2. Tighten the transport chain.
3. Retract tilt cylinders.

MAINTENANCE SECTION
REPLACING BRUSH SEC-
TIONS

Replacing Brush Sections

1. Remove motor mount screws. Retain hardware for reinstallation. Remove motor mount.
2. Remove bearing mounting plate screws from side. Retain hardware for reinstallation.
3. Lift sweeper body leaving core on ground.
4. Remove core from brush head assembly.
5. Remove old sections.
6. Install new sections by doing the following:
 - a. Number the tubes on the core as 1, 2 and 3 (figure 23).
 - b. Slide the first section onto the core with the drive pins on either side of tube 1. Make sure that the drive pins angle up (figure 23).
 - c. Place the second section on the core with the drive pins on either side of tube 2. Be sure the drive pins angle down (figure 24).
 - d. Put the third section on with the drive pins around tube 3. Be sure the drive pins angle up.
 - e. Slide sections on until the core is full, making sure to alternate the tubes used and the direction of the drive pins.
7. Reattach the section retainer and bearing mounting plate with previously removed hardware.
8. Lay core on ground. Lower frame over core.
9. Reattach bearing mounting plate with previously removed hardware.
10. Reattach motor mount with hardware removed in first step.

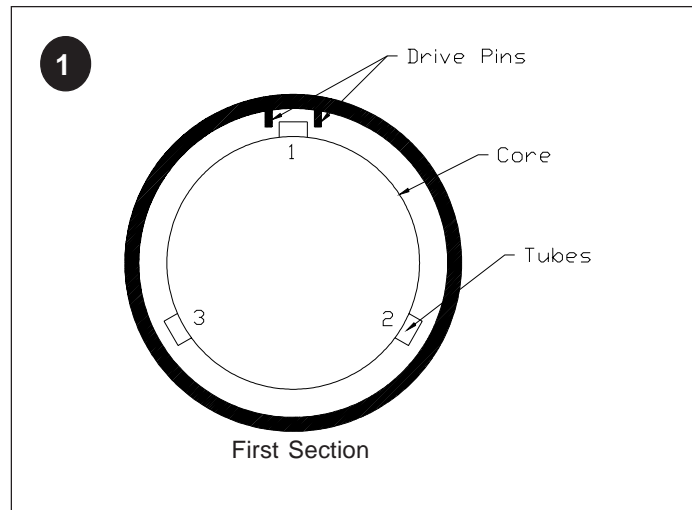


figure 23

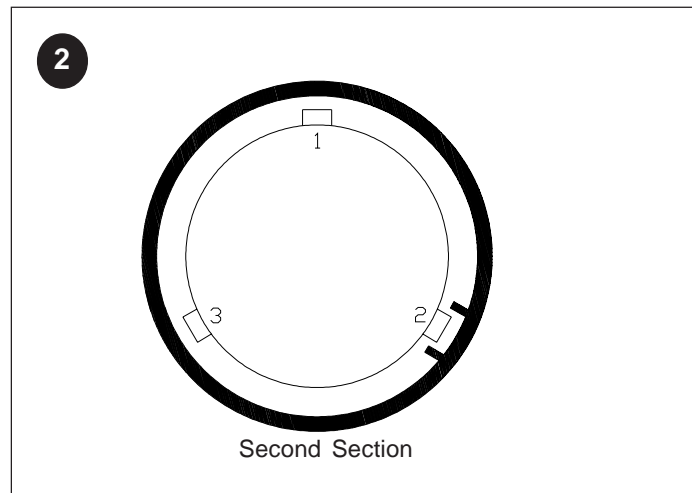


figure 24

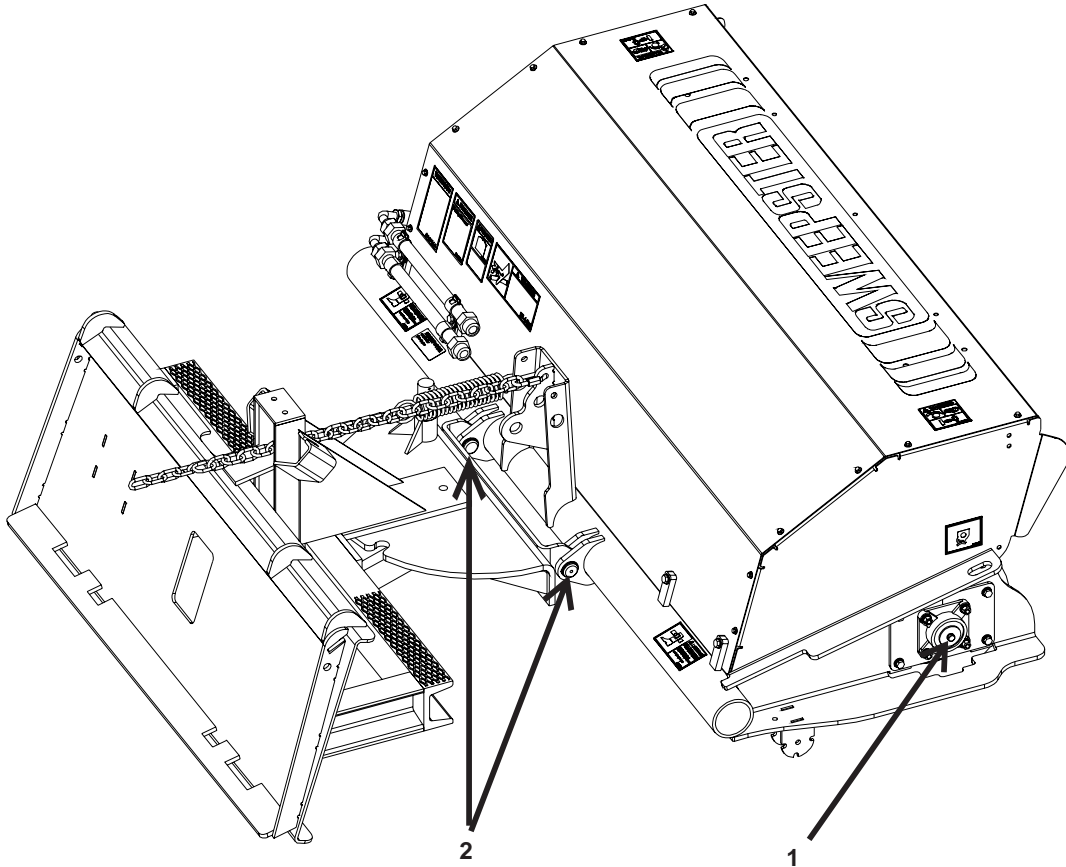


Lubricating Zerk Fittings

The following grease fittings should be greased before each use.
See figure for locations.

1. Core bearing (1 fitting)
2. Brush Head Pivot (2 fitting)

Not Shown:
Hydraulic Angle Cylinder (2 fittings)



Service Manual

QC Series Angle Brooms

Table of Contents

Troubleshooting	32-35
General	32
Spring-Chain	33
Lift & Swing	33
Hydraulic System	34
Motor Port Identification	35

SERVICE SECTION
TROUBLESHOOTING

Brush Head

Problem	Possible Cause	Possible Solution
Brush rotates wrong direction	Hoses installed incorrectly	Switch hoses at brush head tubes
Brush slows or stops when sweeping	Brush pattern too wide	Adjust brush pattern to 2-3 inches (51-76mm) wide: see Maintenance: Adjusting Brush Pattern
	Travel speed too fast	Travel no more than 5 mph (8 kph) while sweeping (2-3 mph recommended)
	Trying to sweep too much material at once	Make several passes with sweeper
	Relief pressure set too low	Set relief pressure to 2000 psi (138.0 bars)
	Pump has failed	Contact dealer to repair or replace
	Filter plugging	Change or clean filter
	Hydraulic motor is failing	Test hydraulic system: see Troubleshooting: Hydraulic Problems
Brush head assembly "bounces" during sweeping	Spring-chain assembly too loose	Adjust spring-chain assembly: see Maintenance: Adjusting Spring-Chain Assembly
	Travel speed too fast and/or brush speed too slow	Find correct combination of ground and brush speeds: do not travel at more than 5 mph (8 kph)
	Core is bent	Replace core
Brush wears into cone shape	Sweeper is not level	Level sweeper before each use: see Maintenance: Leveling
	Tires on prime mover at different pressures or are different sizes	Check tire sizes and rating: make corrections as necessary
Brush wears very quickly	Brush pattern too wide	Adjust brush pattern to 2-3 inches (51-76mm) wide: see Maintenance: Setting Brush Pattern

Spring-Chain Assemblies

Problem	Possible Cause	Possible Solution
Springs on spring-chain assemblies stretching	Transport chain too loose when traveling between job sites.	Adjust according to Adjustment: Transport Chain.
	Travel speeds too fast when sweeping.	Do not travel at speeds over 5 mph (8 kph).

Hydraulic Cylinders - Lift & Swing

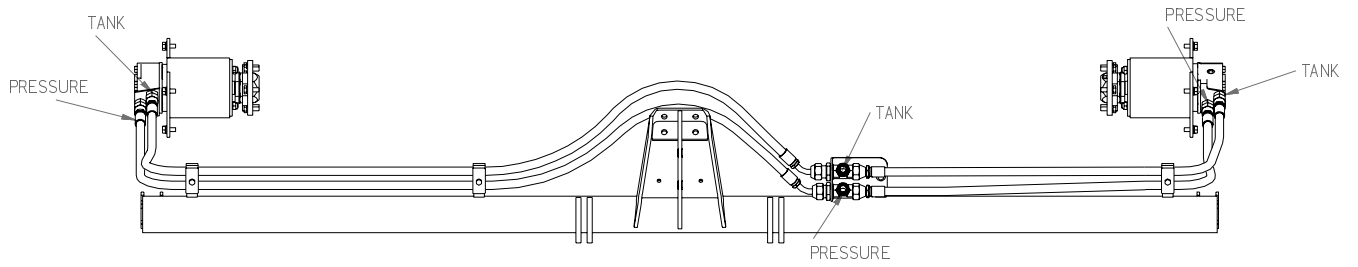
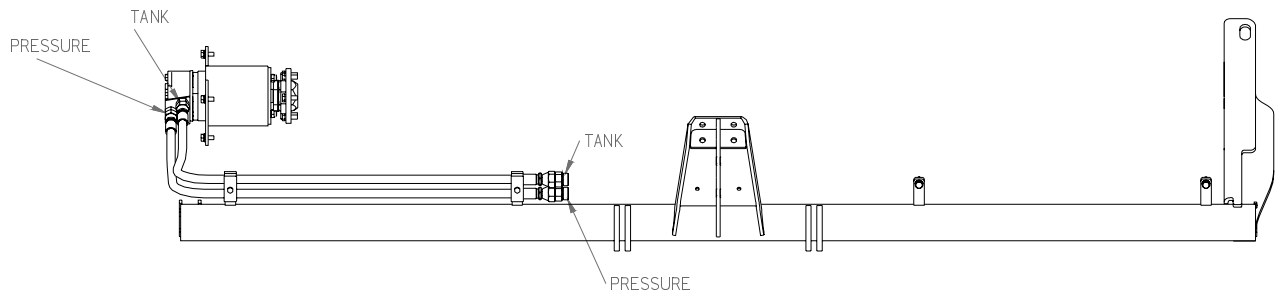
Problem	Possible Cause	Possible Solution
Hydraulic cylinder neither extends nor retracts	<u>Manual valve</u> - Control rods not connected or are binding	Check control rod linkage; make sure all parts are connected and are not binding; fix if necessary
	<u>Electric valve</u> - Set screw in flow divider on manifold too tight	Loosen jam nut and then turn set screw in until it stops; turn set screw out 1 1/2 turns; tighten jam nut
	<u>Electric valve</u> - No power from controls because wires are broken or disconnected	Reconnect wires if disconnected; replace wires if broken
	<u>Electric valve</u> - No power from controls because switch is broken	Replace switch
	<u>Both types of valves</u> - Hydraulic oil level too low	Fill tank to 2-3 inches (51-76mm) from top of tank with ISO VG-46 oil
	<u>Both types of valves</u> - Hoses or fittings loose or disconnected	Tighten hoses and fittings
	<u>Both types of valves</u> - Restriction in hoses	Remove bends in hoses, remove obstructions inside hoses
Hydraulic cylinder only extends or only retracts	<u>Electric valve</u> - Set screw in flow divider on manifold out of adjustment	Loosen jam nut and then turn set screw in until it stops; turn set screw out 1 1/2 turns; tighten jam nut
	<u>Electric valve</u> - Dirt or debris in spools	Contact SWEEPSTER, LLC Technical Service
Hydraulic cylinder extends or retracts too quickly	<u>Manual valve</u> - Flow too high because restrictor fitting missing from cylinder	Reinstall restrictor fitting on barrel end of cylinder
	<u>Manual valve</u> - Flow too high even though restrictor fitting is installed	Contact Sweepster, LLC for smaller orifice fitting
	<u>Electric valve</u> - Set screw in flow divider on manifold too loose	Loosen jam nut and then turn set screw in until it stops; turn set screw out 1 1/2 turns; tighten jam nut

SERVICE SECTION
TROUBLESHOOTING

Hydraulic System

Problem	Possible Cause	Possible Solution
Hydraulic system overheats	Hydraulic oil level too low	Add hydraulic oil to tank until it comes to 2 inches (51 mm) from top
	Restriction in hoses	Remove bends in hoses; remove obstructions inside hoses
	Host pump flow rate exceeds 18-22 gpm	Contact host manufacturer for proper flow control method
Hydraulic quick couplers leak	Quick coupler poppet is unseated	Reseat poppet; replace quick coupler if poppet is beyond repair
Hydraulic motor seals leak	Back pressure exceeds	Contact Sweepster LLC
	Motor is failing	High number of hours on motor; Contact dealer to rebuild or replace
Hydraulic oil flows from breather cap on hydraulic tank	Hydraulic tank too full	Drain hydraulic tank until level is 2" (51MM) from top

Motor Port Identification



Notes

Parts Manual

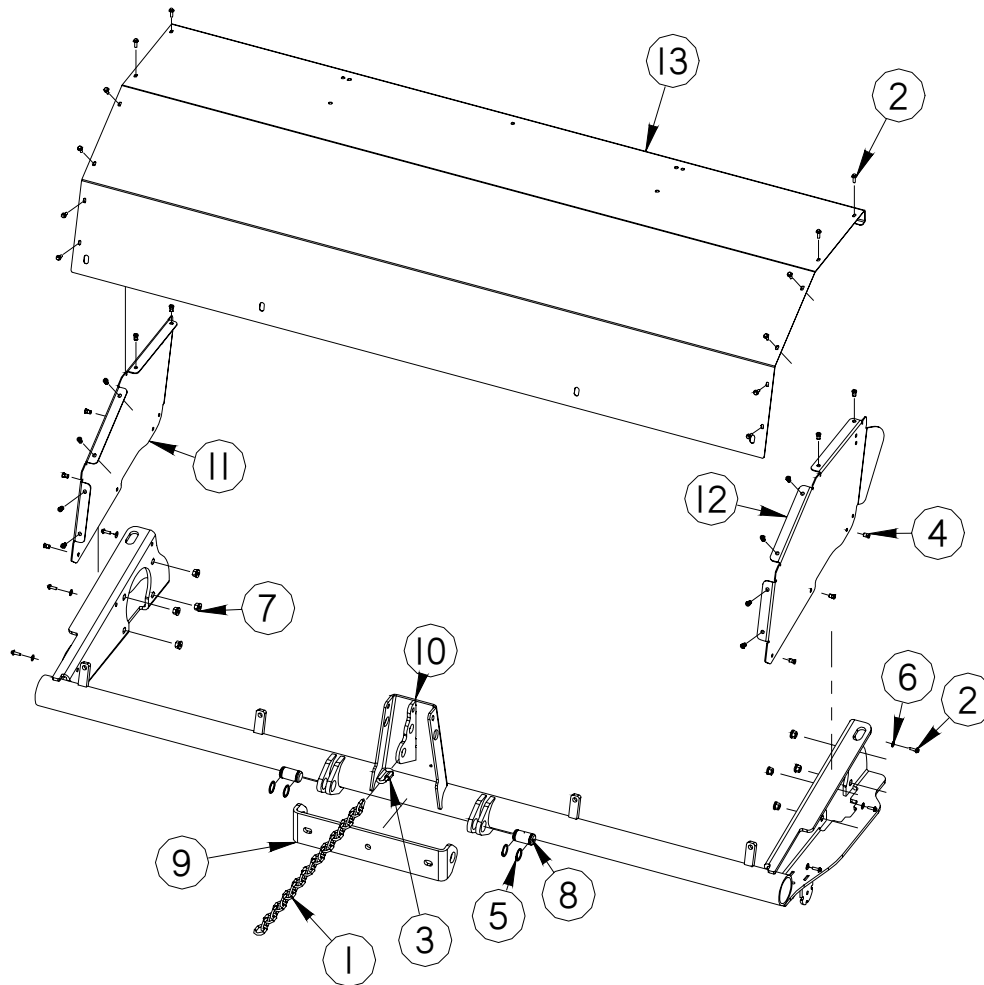
QC Series Angle Brooms

Table of Contents

Parts Lists	38-70
Brush Head	38-45
Brush Head Frames	38
Core Assemblies	39
Shaft Assembly	40
Hydraulics-Dual Motor	41
Hydraulics-Single Motor	42
Motor Bucket Assembly	43
Brush Head Stand	44
Brush Frame Labels	45
Swing Assemblies	46-70
Scissor Swing	46
Tractor Swing Plate	47
Loader Swing Plate	48
3PT CAT 1	49
3PT CAT 2	50
3PT CAT 1 with Power Pack	52-53
Power Pack for 3PT Hitch	54
Tank Assemblies	56-61
Manual Valves	62-63
Electric Valves	64-65
Control Box	66
Manual Angle Kit	67
Swing Manifold	68

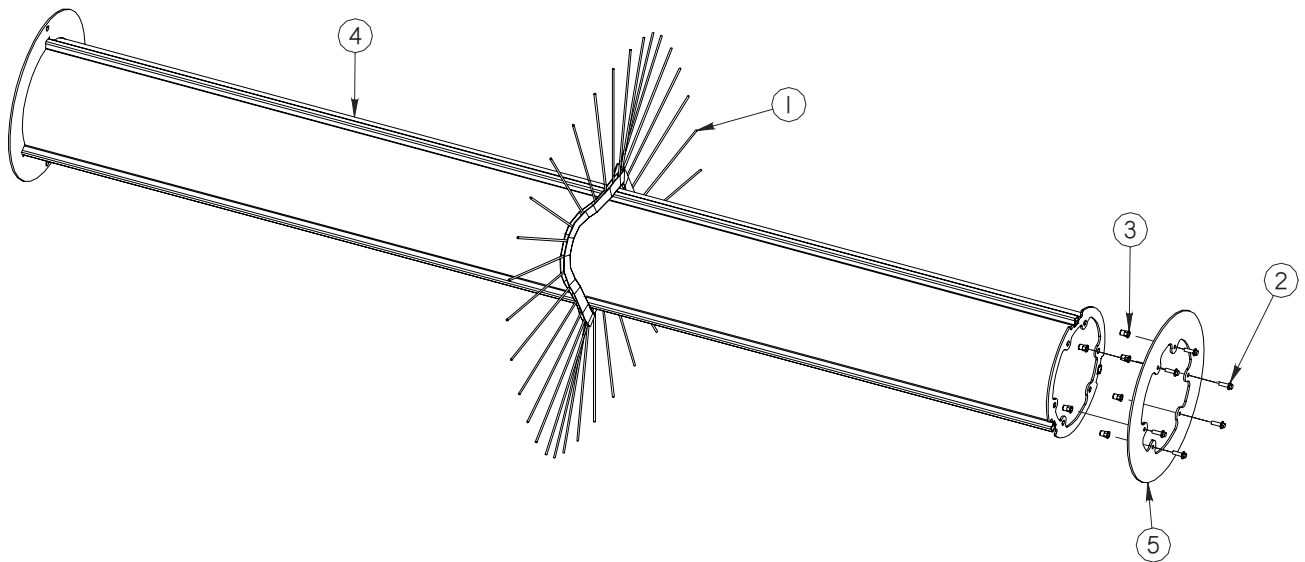
PARTS SECTION
BRUSH HEAD FRAME

Brush Head Frames



Item	Part	Qty	Description
1.	07-0249	1	Chain, 1/4 x 22
2.	07-2952	18	Screw, HFH, CL10.9, M6-11 x 20
3.	07-3311	1	Link, Quick, 5/16
4.	07-3617	27	Nut, Insert, M6 x 1
5.	07-3842	4	Ring, Snap
6.	07-4927	6	Washer, Fender, CL8.8, M6
7.	07-6056	8	Nut, Flange, M10-15
8.	13-10004	2	Pin, Pivot, Left Arm, QA
9.	13-12617	1	Plate, Mounting, Brush Head, Pivot
10.	13-13278	1	Weld, Brush Frame, 5 Ft
	13-13279	1	Weld, Brush Frame, 6 Ft
	13-12857	1	Weld, Brush Frame, 7 Ft
	13-13280	1	Weld, Brush Frame, 8 Ft
11.	13-13047	1	Sheet, Hood, Side, Left
12.	13-13048	1	Sheet, Hood, Side, Right
13.	13-13281	1	Sheet, Hood, 5 Ft
	13-13282	1	Sheet, Hood, 6 Ft
	13-13049	1	Sheet, Hood, 7 Ft
	13-13283	1	Sheet, Hood, 8 Ft

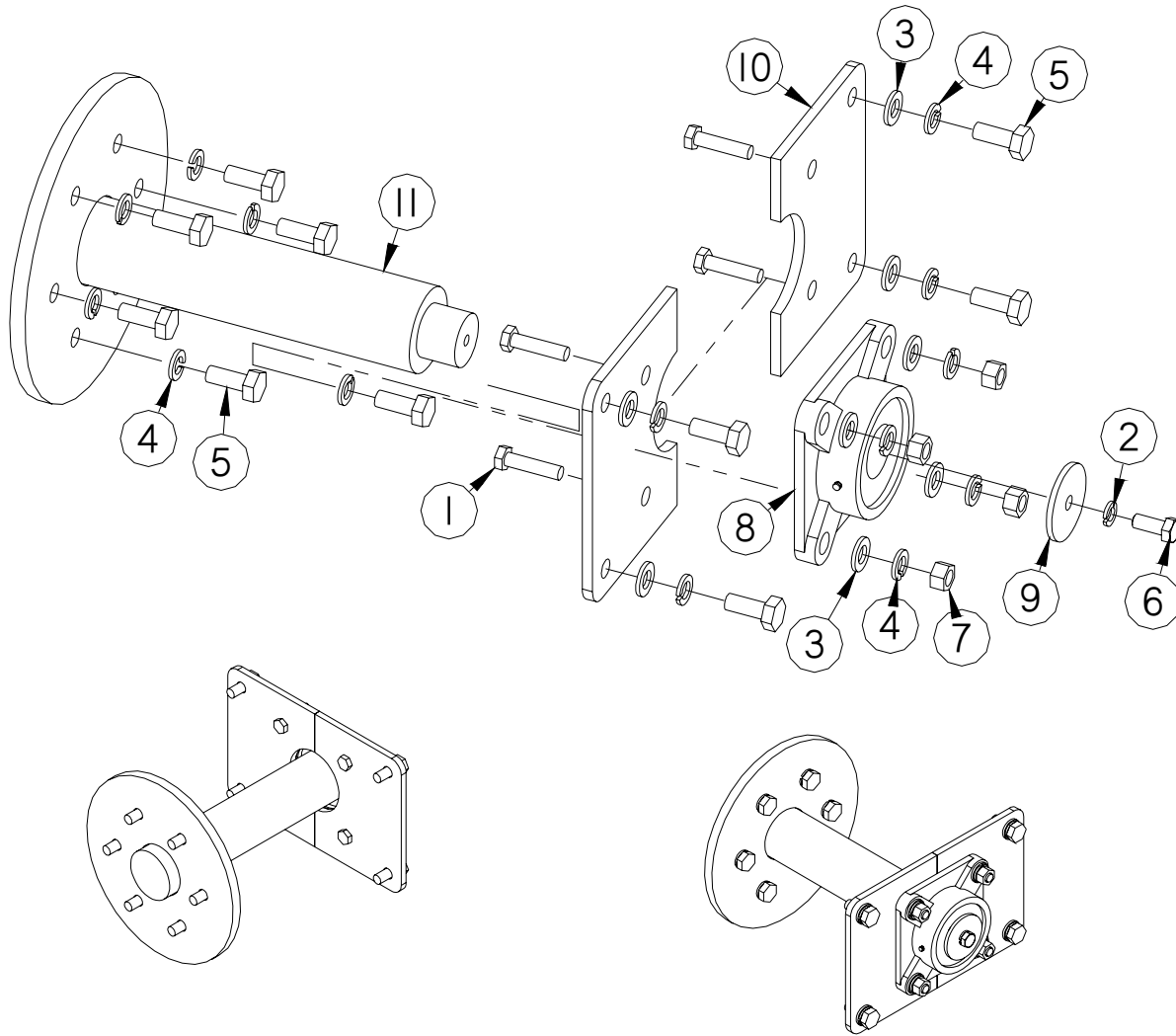
Core Assemblies



Item	Part	Qty	Description
1.	01-1085	1	Section, Set, 32, 10, Mixed, Convoluted (5 Ft)
	01-0930	1	Section, Set, 32, 10, Mixed, Convoluted (6 Ft)
	01-0931	1	Section, Set, 32, 10, Mixed, Convoluted (7 Ft)
	01-0933	1	Section, Set, 32, 10, Mixed, Convoluted (8 Ft)
	01-0272C	1	Section, Set, 32, Poly, Convoluted (5 Ft)
	01-0020C	1	Section, Set, 32, Poly, Convoluted (6 Ft)
	01-0079C	1	Section, Set, 32, Poly, Convoluted (7 Ft)
	01-0080C	1	Section, Set, 32, Poly, Convoluted (8 Ft)
2.	07-2952	6	Screw, HFH, CL10.9, M6-11 x 20
3.	07-3617	6	Nut, Insert, M6 x 1
4.	13-13284	1	Weld, Core, 5 Ft, Hex Drive
	13-13285	1	Weld, Core, 6 Ft, Hex Drive
	13-12899	1	Weld, Core, 7 Ft, Hex Drive
	13-13286	1	Weld, Core, 8 Ft, Hex Drive
5.	13-13166	1	Plate, Ring, Core, End, QC

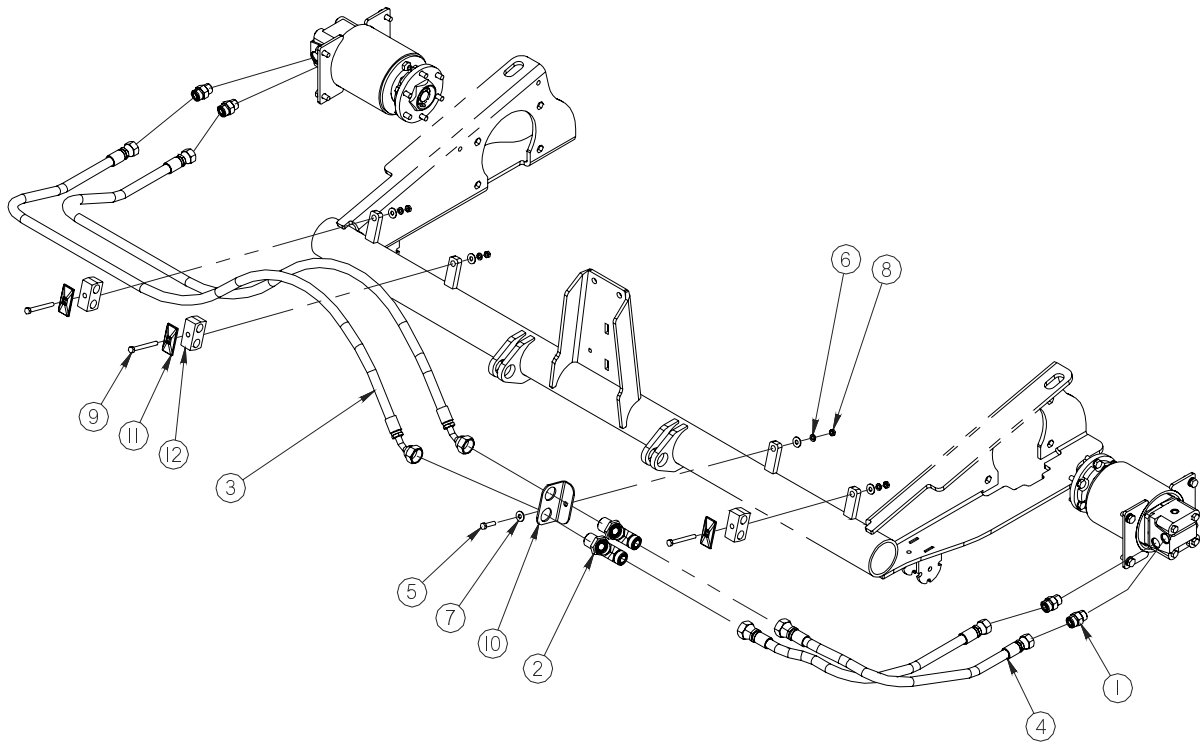
PARTS SECTION
SHAFT ASSEMBLY

Shaft Assembly



Item	Part	Qty	Description
1.	07-2495	4	Screw, HHC, CL8.8, M10-1.5 x 35mm
2.	07-3738	1	Washer, Lock, Split, Medium, M8
3.	07-3745	8	Washer, Flat, CL8.8, M10
4.	07-3747	14	Washer, Lock, Split, Medium, M10
5.	07-3748	10	Screw, HHC, CL10.9, M10-1.5 x 25mm
6.	07-3777	1	Screw, HHC, CL10.9, M8-1.55 x 20mm
7.	07-4514	4	Nut, Hex, CL10, M10-1.5
8.	08-0067	1	Bearing, 1 1/4, 4 Bolt
9.	13-11903	1	Washer, .34 x 1.8 x 10Ga
10.	13-12941	2	Plate, Shaft, Brush Frame, Mounting
11.	13-12974	1	Weld, Shaft, Hex Drive

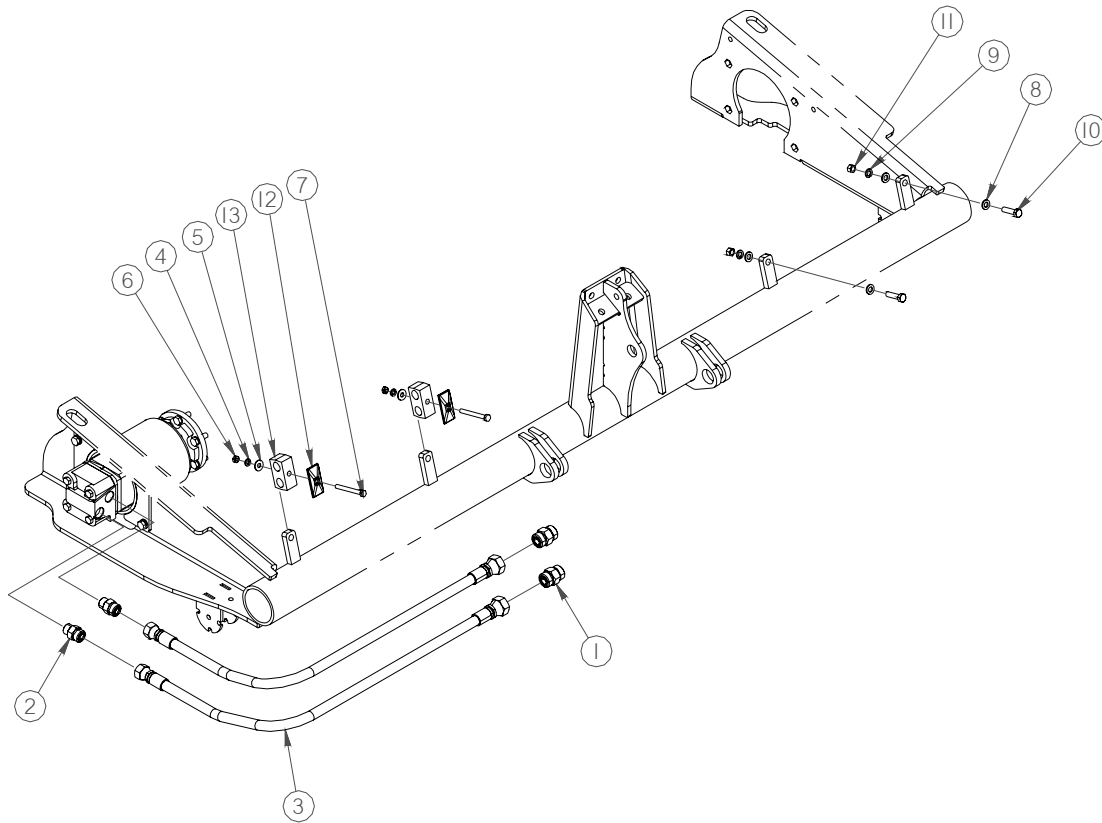
Hydraulic Assemblies - Dual Motor



Item	Part	Qty	Description
1.	03-1939	4	Fitting, Adaptor, HP, 7/8MOR, 5/8MFS
2.	03-5160	2	Fitting, Tee, HP, Bulkhead, 12MFS
3.	03-5161	2	Hose, 1/2 x 70, 100R2, 10FFS, 12FFS45, 5 Ft
	03-5162	2	Hose, 1/2 x 75, 100R2, 10FFS, 12FFS45, 6 Ft
	03-5163	2	Hose, 1/2 x 80, 100R2, 10FFS, 12FFS45, 7 Ft
	03-5164	2	Hose, 1/2 x 88, 100R2, 10FFS, 12FFS45, 8 Ft
	03-5178	2	Hose, 1/2 x 94, 100R2, 10FFS, 12FFS45, 9 Ft
4.	03-5165	2	Hose, 1/2 x 33, 100R2, 10FFS, 12FFS, 5 Ft
	03-5166	2	Hose, 1/2 x 39, 100R2, 10FFS, 12FFS, 6 Ft
	03-5167	2	Hose, 1/2 x 44, 100R2, 10FFS, 12FFS, 7 Ft
	03-5168	2	Hose, 1/2 x 52, 100R2, 10FFS, 12FFS, 8 Ft
	03-5179	2	Hose, 1/2 x 58, 100R2, 10FFS, 12FFS, 9 Ft
5.	07-1973	1	Screw, HHC, Gr8, 5/16-18 x 1 1/4
6.	07-3273	4	Washer, Lock, Split, Medium, 5/16
7.	07-3275	5	Washer, Flat, Gr8, 5/16
8.	07-3278	4	Nut, Hex, Gr8, 5/16-18
9.	07-3651	3	Screw, HHC, Gr8, 5/16-18 x 3
10.	13-15094	1	Bracket, Mounting, Bulkhead Tees
11.	RHW8614	3	Cover, Plate
12.	RHW8616	3	Hose, Cradle

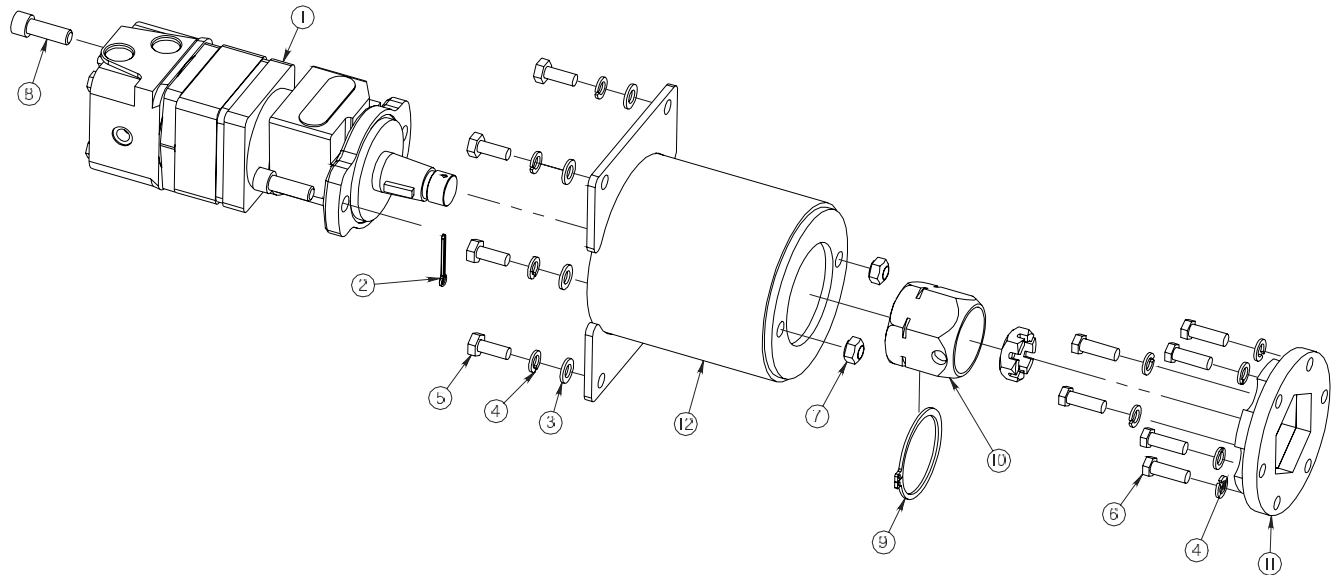
PARTS SECTION
HYDRAULIC ASSEMBLIES

Hydraulic Assemblies - Single Motor



Item	Part	Qty	Description
1.	03-1920	2	Fitting, Union, HP, 3/4MFS, 3/4MFS
2.	03-1939	2	Fitting, Adapter, HP, 7/8MOR, 5/8MFS
3.	03-5165	2	Hose, 1/2 x 33, 100R2, 10FFS, 12FFS, 5 Ft
	03-5166	2	Hose, 1/2 x 39, 100R2, 10FFS, 12FFS, 6 Ft
	03-5167	2	Hose, 1/2 x 44, 100R2, 10FFS, 12FFS, 7 Ft
	03-5168	2	Hose, 1/2 x 52, 100R2, 10FFS, 12FFS, 8 Ft
4.	07-3273	2	Washer, Lock, Split, Medium, 5/16
5.	07-3275	2	Washer, Flat, Gr5, 5/16
6.	07-3278	2	Nut, Hex, Gr8, 5/16-18
7.	07-3651	2	Screw, HHC, Gr8, 5/16-18 x 3
8.	07-3745	4	Washer, Flat, CL8.8, M10
9.	07-3747	2	Washer, Lock, Split, Medium, M10
10.	07-3751	2	Screw, HHC, CL10.9, M10-1.5 x 40mm
11.	07-4514	2	Nut, Hex, CL10, M10-1.5
12.	RHW8614	2	Cover, Plate
13.	RHW8616	2	Hose, Cradle

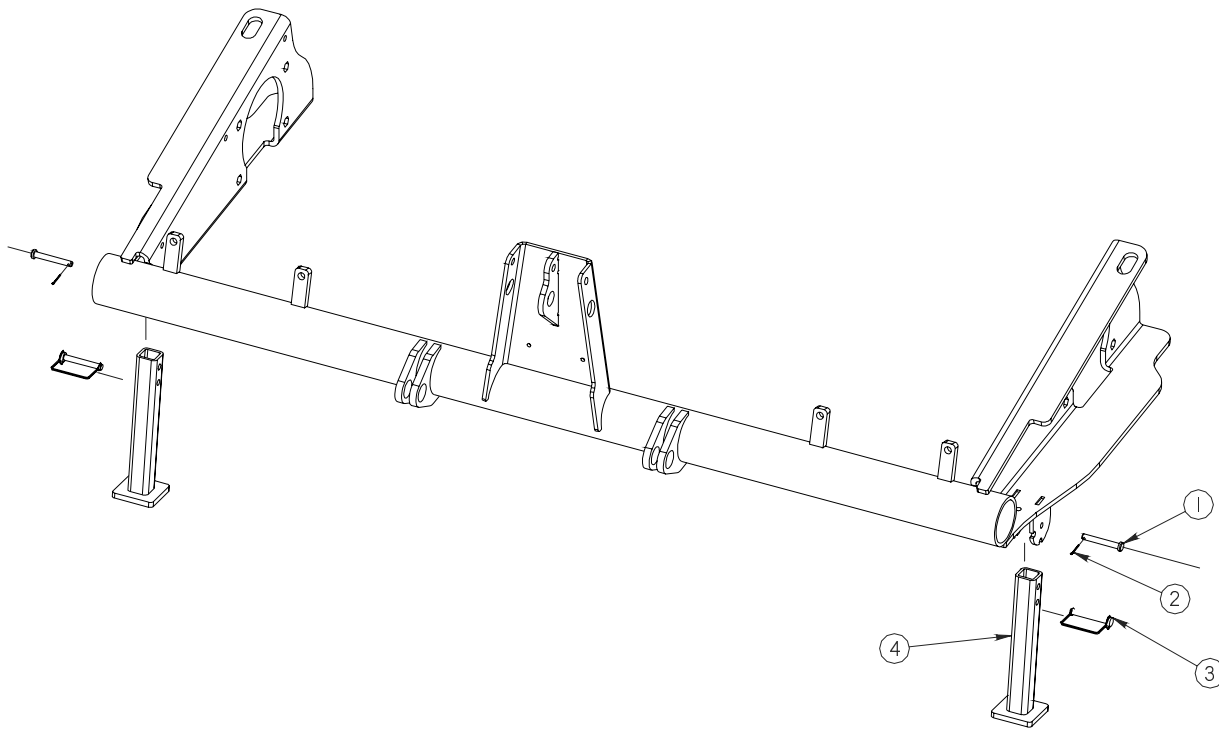
Motor Bucket Assemblies



Item	Part	Qty	Description
1.	03-4682	1	Motor, Hydraulic, White, 17.9 Cu In, with Check Valve, Right
	03-4634	1	Motor, Hydraulic, White, 17.9 Cu In, with Check Valve, Left
	03-4425	1	Motor, Hydraulic, White, 24.9 Cu In, with Check Valve, Left
2.	07-1044	1	Pin, Center, Gr2, 5/32 x 1 1/2
3.	07-3745	4	Washer, Flat, CL8.8, M10
4.	07-3747	10	Washer, Lock, Split, Medium, M10
5.	07-3748	4	Screw, HHC, CL10.9, M10-1.5 x 25mm
6.	07-3749	6	Screw, HHC, CL10.9, M10-1.5 x 30mm
7.	07-4610	2	Nut, Hex, Lock, CL10.9, M12-1.75
8.	07-5816	2	Screw, Socket Head, CL12.9, M12-1.75 x 35mm
9.	07-6196	1	Ring, Retaining, 2.75, Zinc Plated
10.	13-11890	1	Hub, Hex, 2 1/2 x 1 1/4, Tapered Bore
11.	13-12750	1	Weld, Hex, Plate, with Doubler
12.	13-12946	1	Weld, Motor Bucket

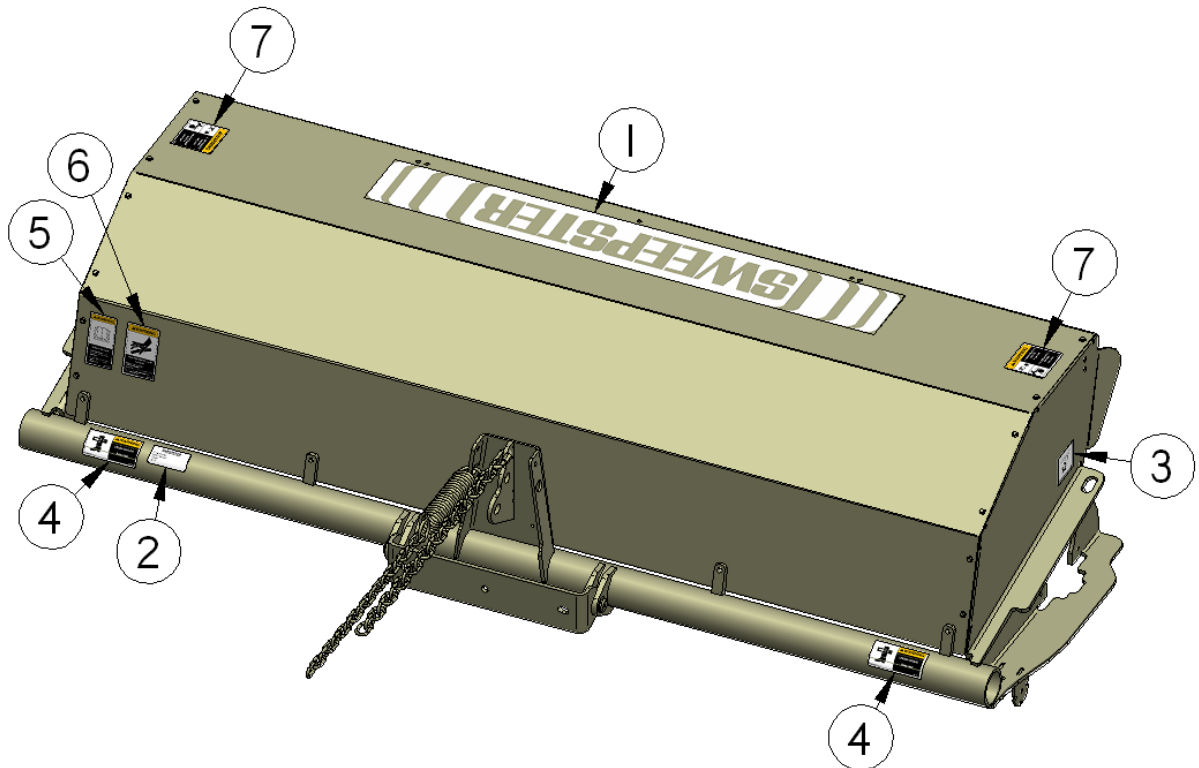
PARTS SECTION
BRUSH HEAD STANDS

Brush Head Stands 28-9737

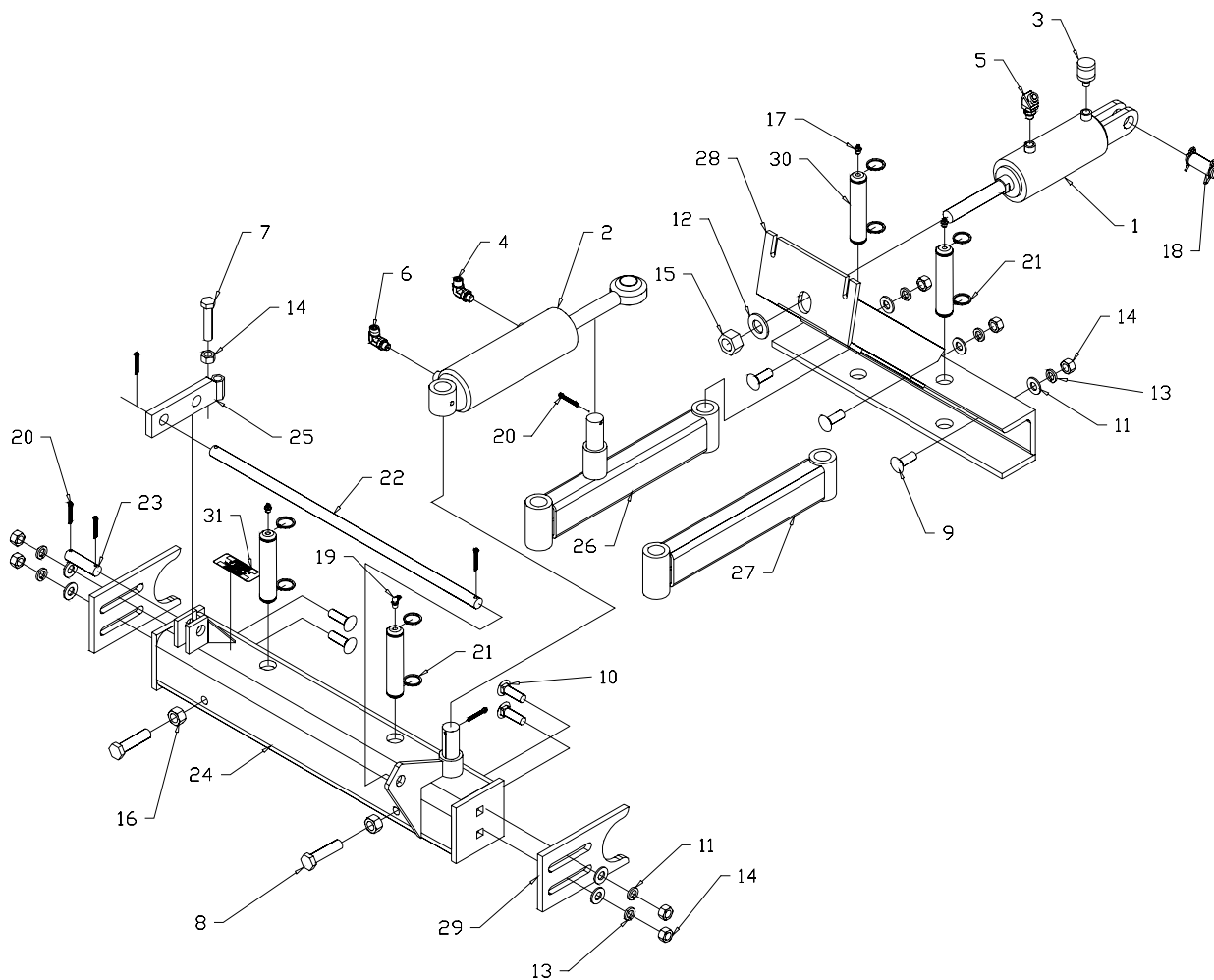


Item	Part	Qty	Description
1.	07-0260	2	Pin, Clevis, Gr2, 3/8 x 2 3/4
2.	07-0699	2	Pin, Cotter, Gr2, 1/8 x 1 1/4
3.	07-4748	2	Pin, Lock, 3/8 x 2, Grip, Square, 2.50AL
4.	13-13226	2	Weld, Stand, Brush Head

Brush Head Labels 28-9706

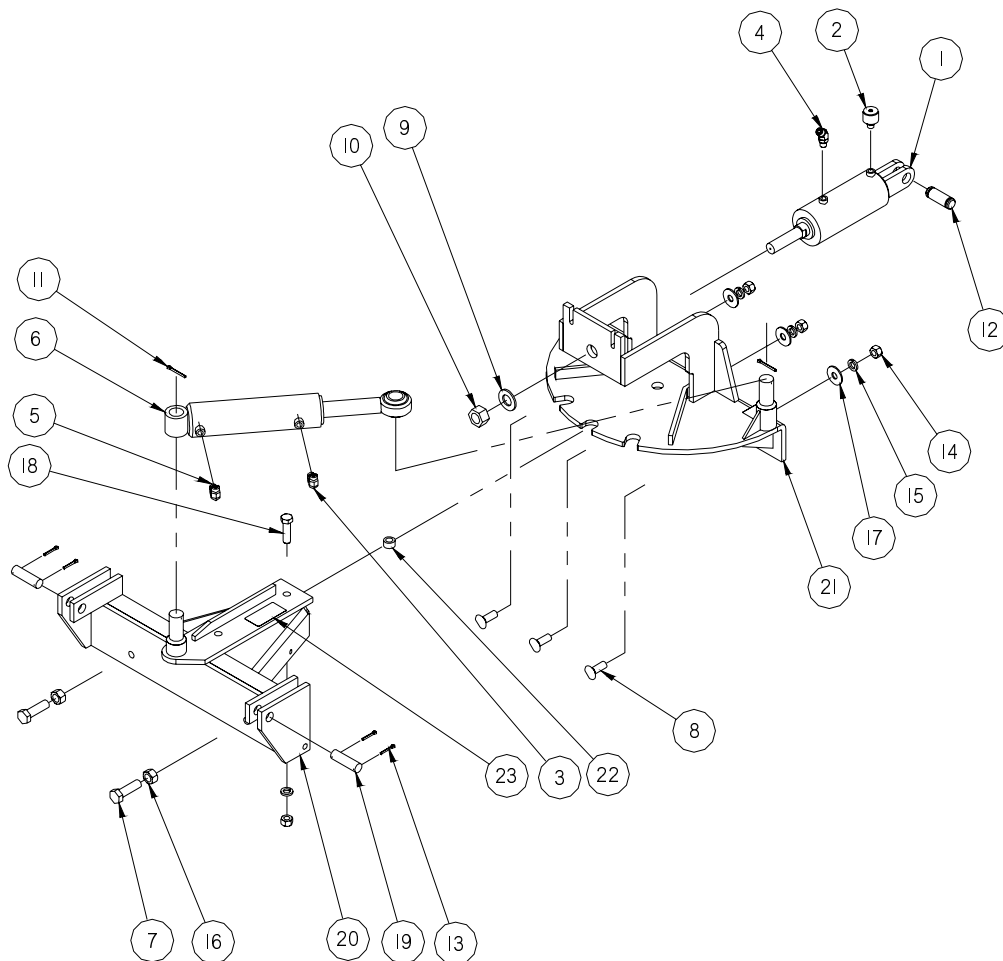


Item	Part	Qty	Description
1.	50-0252	1	Label, Logo, Large, White
2.	50-0634	1	Label, Serial Number
3.	50-0643	2	Label, Tie Down Point
4.	50-0721	2	Label, Warning, Crush Hazard
5.	50-0722	1	Label, Warning, Misuse Hazard
6.	50-0725	1	Label, Warning, High Pressure Fluid Hazard
7.	50-0726	2	Label, Warning, Flying Objects & Entanglement

PARTS SECTION
SWINGASSEMBLIES**11-0790 Scissor Swing**

Item	Part	Qty	Description	Item	Part	Qty	Description
1.	03-1928	1	Cylinder, Hydraulic, 3-Bore, 4 1/2 Stroke	16.	07-3066	2	Nut, Hex, 3/4-10
2.	03-1929	1	Cylinder, Hydraulic, 3-Bore, 7 1/2 Stroke	17.	07-0223	3	Fitting, Zerk, Straight, 1/8NPT
3.	03-1932	1	Fitting, Plug, Vent, 9/16-19MOR	18.	07-0539	1	Pin, Clevis, 1, with Hairpin Clip, Both Ends
4.	03-2092	1	Fitting, Elbow, HP, 90°, 9/16MOR, 3/8MFS	19.	07-0563	1	Fitting, Zerk, 90°, NPT
5.	03-2115	1	Fitting, Elbow, HP, 45°, 9/16MOR, 3/8MFS	20.	07-0786	6	Pin, Cotter, 3/16 x 1 1/2
6.	03-2345	1	Fitting, Orifice, .078, Elbow, 90°, HP, 9/16MOR, 3/8MFS	21.	07-3842	8	Ring, Snap
7.	07-3934	1	Screw, Tap, Gr5, 5/8-11 x 4	22.	11-0023	1	Pin, 7/8 x 27 5/8
8.	07-0080	2	Screw, Cap, Tap, 3/4-10 x 3	23.	11-0459	1	Pin, 7/8 x 3, 2 Holes
9.	07-0119	3	Bolt, Carriage, 5/8 x 1 3/4	24.	11-0789	1	Weld, Frame, Swing, AH, Rear
10.	07-0120	4	Bolt, Carriage, 5/8-11 x 2	25.	11-0799	1	Weld, Bracket, Leveling
11.	07-3120	7	Washer, Flat, Gr8, 5/8	26.	11-0800	1	Weld, Arm, Swing, AH, with Pin
12.	07-4040	1	Washer, Flat, Gr8, 1	27.	11-0803	1	Weld, Arm, Swing, AH, No Pin
13.	07-1872	7	Washer, Lock, Split, Medium, 5/8	28.	11-1677	1	Weld, Frame, Swing, AH
14.	07-1294	8	Nut, Hex, Gr8, 5/8-11	29.	11-3813	2	Plate, Adjustment, Brush Head, AH
15.	07-0186	1	Nut, Hex, 1-14	30.	11-3993	4	Pin, 1 1/4 x 6, for Zerk
				31.	50-0249	1	Label, Plate, Part Number/Date

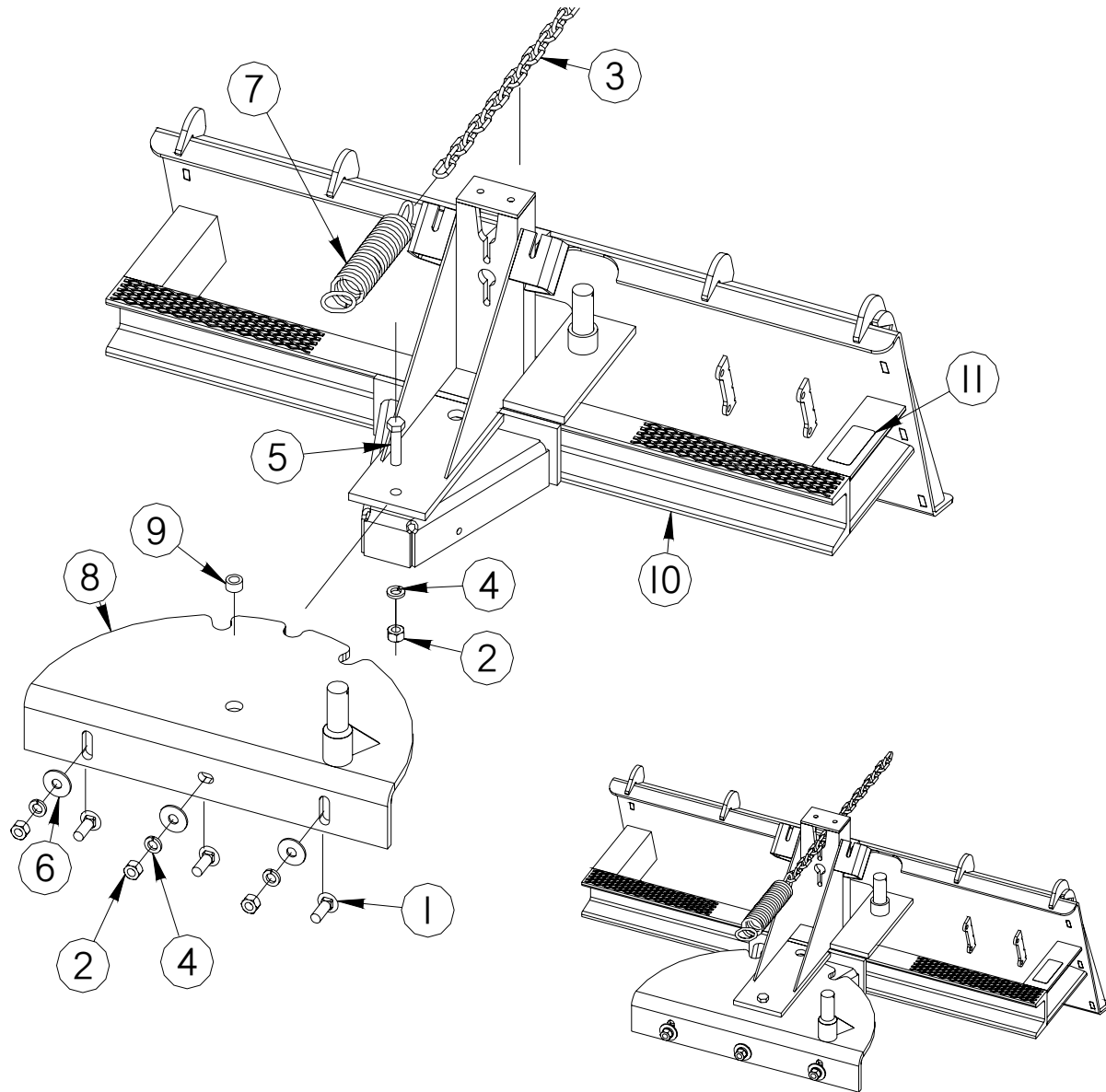
28-4612 Swing Plate for Tractors



Item	Part Qty	Description	Item	Part Qty	Description
1.	03-1928	1	Cylinder, Hydraulic, 3-Bore, 4 1/2 Stroke	11.	07-0206 2 Pin, Cotter, Gr2, 3/16 x 2
2.	03-1932	1	Fitting, Plug, Vent, 9/16-19MOR	12.	07-0539 1 Pin, Clevis, 1, with HairClip, Both Ends
3.	03-2092	1	Fitting, Elbow, HP, 90°, 9/16MOR, 3/8MFS	13.	07-0786 6 Pin, Cotter, 3/16 x 1 1/2
4.	03-2115	1	Fitting, Elbow, HP, 45°, 9/16MOR, 3/8MFS	14.	07-1294 4 Nut, Hex, 5/8-11
5.	03-2345	1	Fitting, Orifice, .078, Elbow, 90°, HP, 9/16MOR, 3/8MFS	15.	07-1872 4 Washer, Lock, Split, 5/8
6.	03-4887	1	Cylinder, Hydraulic, 2 1/2 Bore, 7 1/2 Stroke, 1 3/8 Rod	16.	07-3066 2 Nut, Hex, 3/4-10
7.	07-0079	2	Screw, Cap, Tap, 3/4-10 x 2 1/2	17.	07-3120 3 Washer, Flat, 5/8
8.	07-0119	3	Bolt, Carriage, Gr5, 5/8-11 x 1 3/4	18.	07-3680 1 Screw, HHC, Gr8, 5/8-11 x 2 1/4
9.	07-0159	1	Washer, Flat, 1	19.	11-0459 2 Pin, 7/8 x 3, 2 Holes
10.	07-0186	1	Nut, Hex, 1-14	20.	13-10476 1 Weld, Swing, Frame, CH
				21.	13-10477 1 Weld, Plate, Swing, CH
				22.	13-4657 1 Bushing, 1 x 5/8 x .562
				23.	50-0635 1 Label, Plate, Part Number/Date

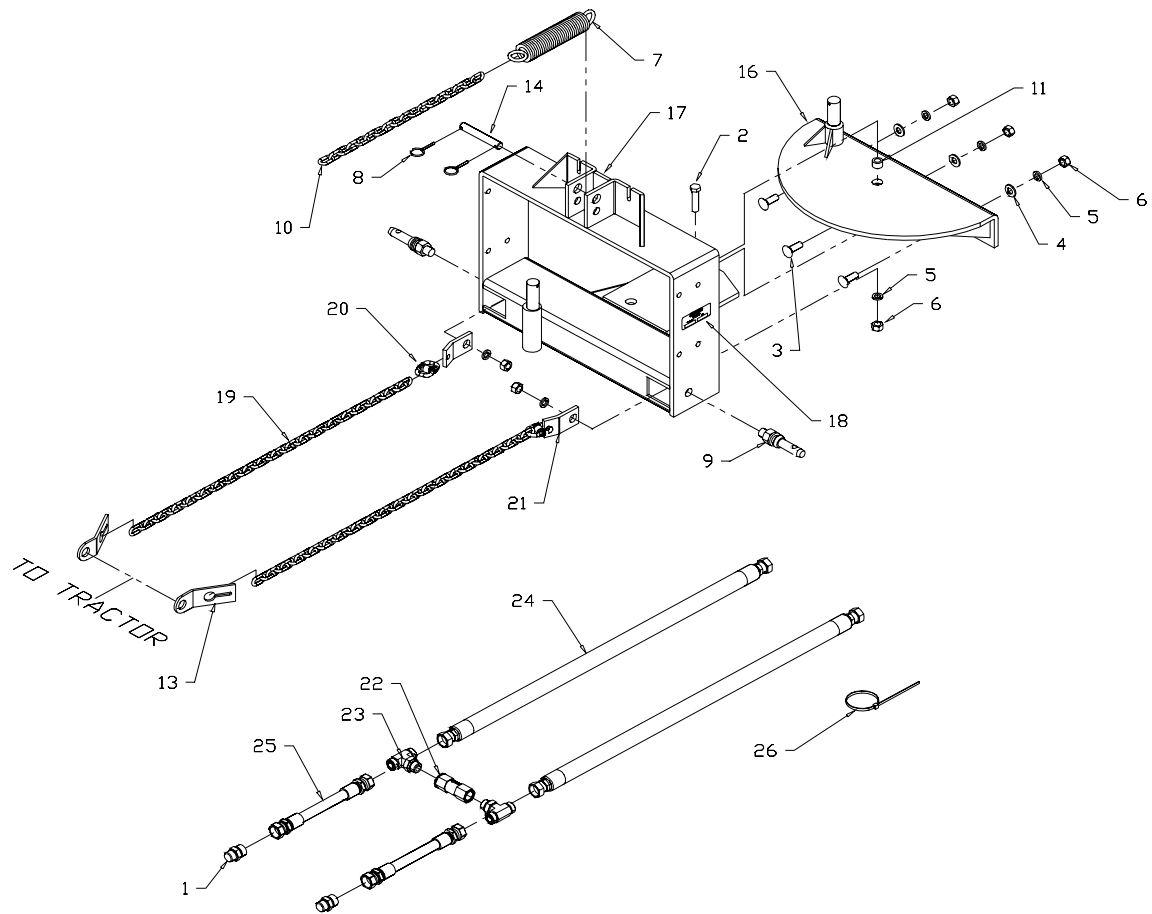
PARTS SECTION
SWINGASSEMBLIES

Quick Attach (SAE J2513)



Item	Part	Qty	Description
1.	07-0119	3	Bolt, Carriage, Gr5, 5/8-11 x 1 3/4
2.	07-1294	4	Nut, Hex, Gr8, 5/8-11
3.	07-1558	1	Chain, 1/4, 18 Links
4.	07-1872	4	Washer, Lock, Split, Medium, 5/8
5.	07-2855	1	Screw, HHC, Gr8, 5/8-11 x 2 1/2
6.	07-3120	3	Washer, Flat, Gr8, 5/8
7.	07-6451	1	Spring, Tension, 325#/IN
8.	11-9080	1	Weld, Swing, Plate
9.	13-4657	1	Bushing, 1 x 5/8 x .562
10.	13-7382	1	Weld, Frame, Mounting
11.	50-0249	1	Label, Plate, Part Number/Date

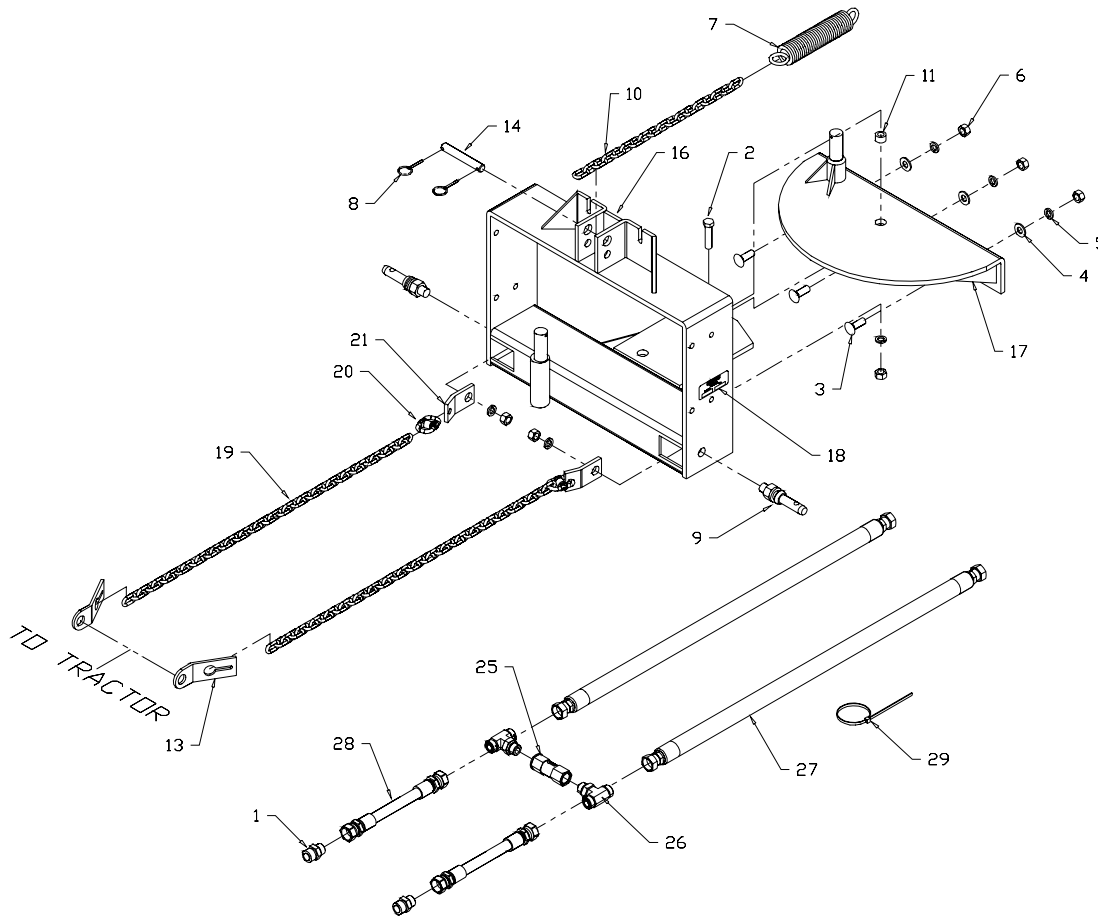
11-5031 RLCH, Cat I Hitch 11-4183 RLH, Cat I Hitch



Item	Part	Qty	Description
1.	03-1943	2	Fitting, Adapter, HP, 3/4MFS, 3/4MP
2.	07-2855	1	Screw, HHC, Gr8, 5/8-11 x 2 1/2
3.	07-0119	3	Bolt, Carriage, 5/8 x 1 3/4
4.	07-3120	3	Washer, Flat, Gr8, 5/8
5.	07-1872	4	Washer, Lock, Split, Medium, 5/8
6.	07-1294	4	Nut, Hex, Gr8, 5/8-11
7.	07-0216	1	Spring, Tension, 1.87 x 10.31
8.	07-0244	2	Pin, Link, #1600
9.	07-0285	2	Pin, Link, Category I
10.	07-1558	1	Chain, 1/4, 18 Links
11.	13-4657	1	Bushing, 1 x 5/8 x .562
13.	13-0440	2	Bracket, Chain, Toplink, 3-Point
14.	13-2002	1	Pin, Toplink, 3-Point
16.	13-4823	1	Weld, Swing, Plate, CV, RLCH
17.	13-7911	1	Weld, Frame, Swing, RLCH
	13-4676	1	Weld, Frame, Swing, RLH
18.	50-0249	1	Label, Plate, Part Number/Date
19.	07-0290	2	Chain, 1/4, 39 Links
20.	07-2032	2	Clevis, Double Link, 9/32, Gr8
21.	11-1888	2	Plate, Support, Chain
22.	03-1816	1	Valve, Check, In-line, 1 1/16, O-Ring
23.	03-1950	2	Fitting, Tee, HP, MB, 3/4MFS
24.	03-2268	2	Hose, 3/4 x 42, 2W, 3/4FFS, 3/4FFS
25.	03-3333	2	Hose, 3/4 x 37, TC, 3/4FFS, 3/4FFS
26.	07-1817	4	Tie, Plastic, 15, White, Reuse

PARTS SECTION
SWING ASSEMBLIES

11-4184 RLH, Category II Hitch



Item	Part	Qty	Description
1.	03-1945	2	Fitting, Adapter, HP, 1 1/16MOR, 3/4MFS
2.	07-0066	1	Screw, HHC, Gr8, 5/8-11 x 2
3.	07-0119	3	Bolt, Carriage, Gr5, 5/8 x 1 3/4
4.	07-3120	3	Washer, Flat, Gr8, 5/8
5.	07-1872	4	Washer, Lock, Split, Medium, 5/8
6.	07-1294	4	Nut, Hex, Gr8, 5/8-11
7.	07-0216	1	Spring, Tension, 1.87 x 10.31
8.	07-0244	2	Pin, Linch, 1/4
9.	07-0688	2	Pin, Cat 2, Hitch, 7/8 Thread
10.	07-1558	1	Chain, 1/4, 18 Links
11.	13-4657	1	Bushing, 1 x 5/8 x .562
13.	13-0440	2	Bracket, Chain, Top Link, 3-Point
14.	13-11997	1	Pin, .875 x 6.5, with 5.72 Grip Length
16.	13-4676	1	Weld, Frame, Swing
17.	13-4823	1	Weld, Swing, Plate
18.	50-0249	1	Label, Plate, Part #/Date
19.	07-0290	2	Chain, 1/4, 39 Links
20.	07-2032	2	Clevis, Double Link, 9/32, Gr80
21.	11-1888	2	Plate, Support, Chain
25.	03-1816	1	Valve, Check, In-line, 1 1/16, O-Ring
26.	03-1950	2	Fitting, Tee, HP, MB, 3/4MFS
27.	03-2268	2	Hose, 3/4 x 42, 2W, 3/4FFS, 3/4FFS
28.	03-3333	2	Hose, 3/4 x 37, TC, 3/4FFS, 3/4FFS
29.	07-1817	4	Tie, Plastic, 15, White, Reuse

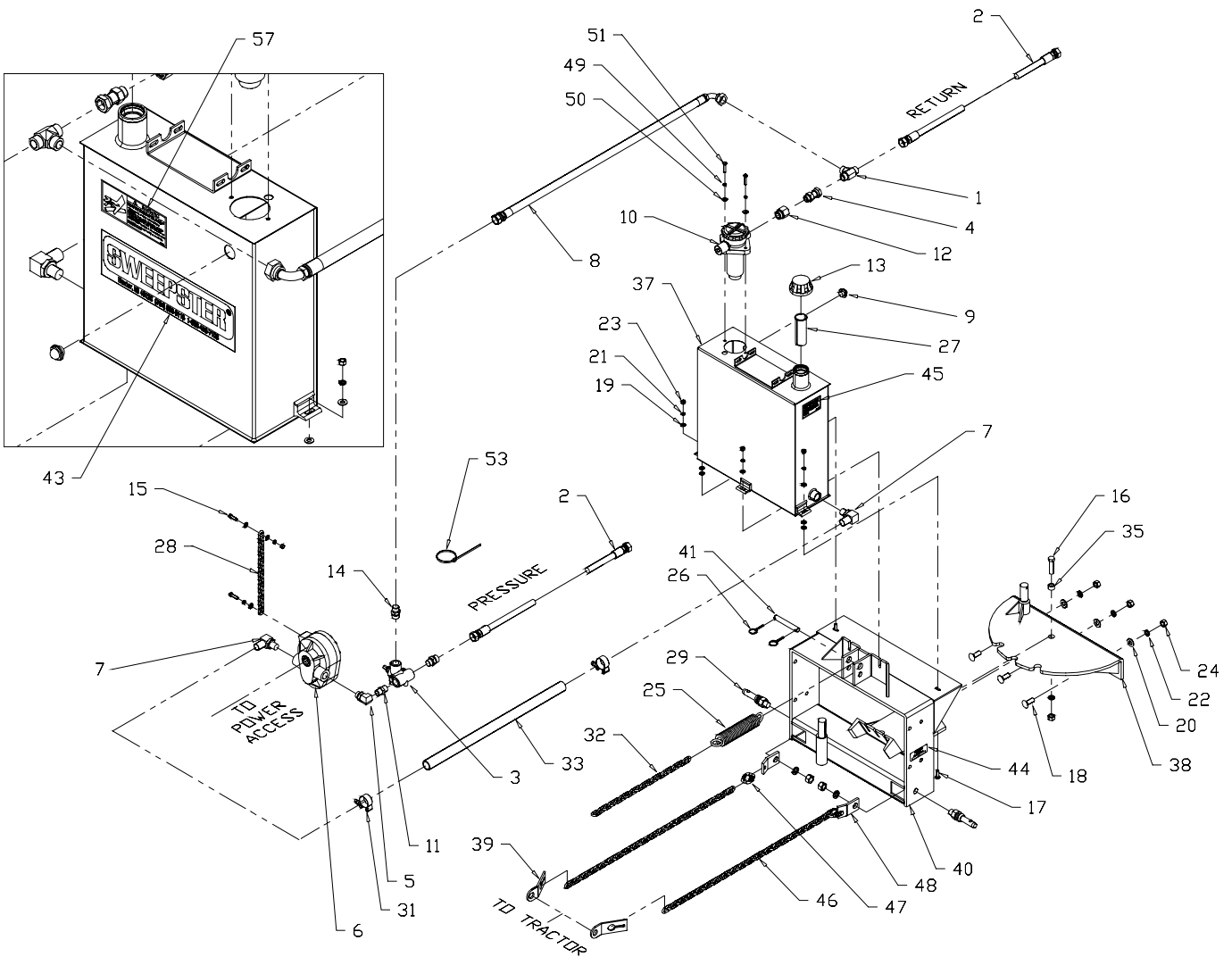
Notes

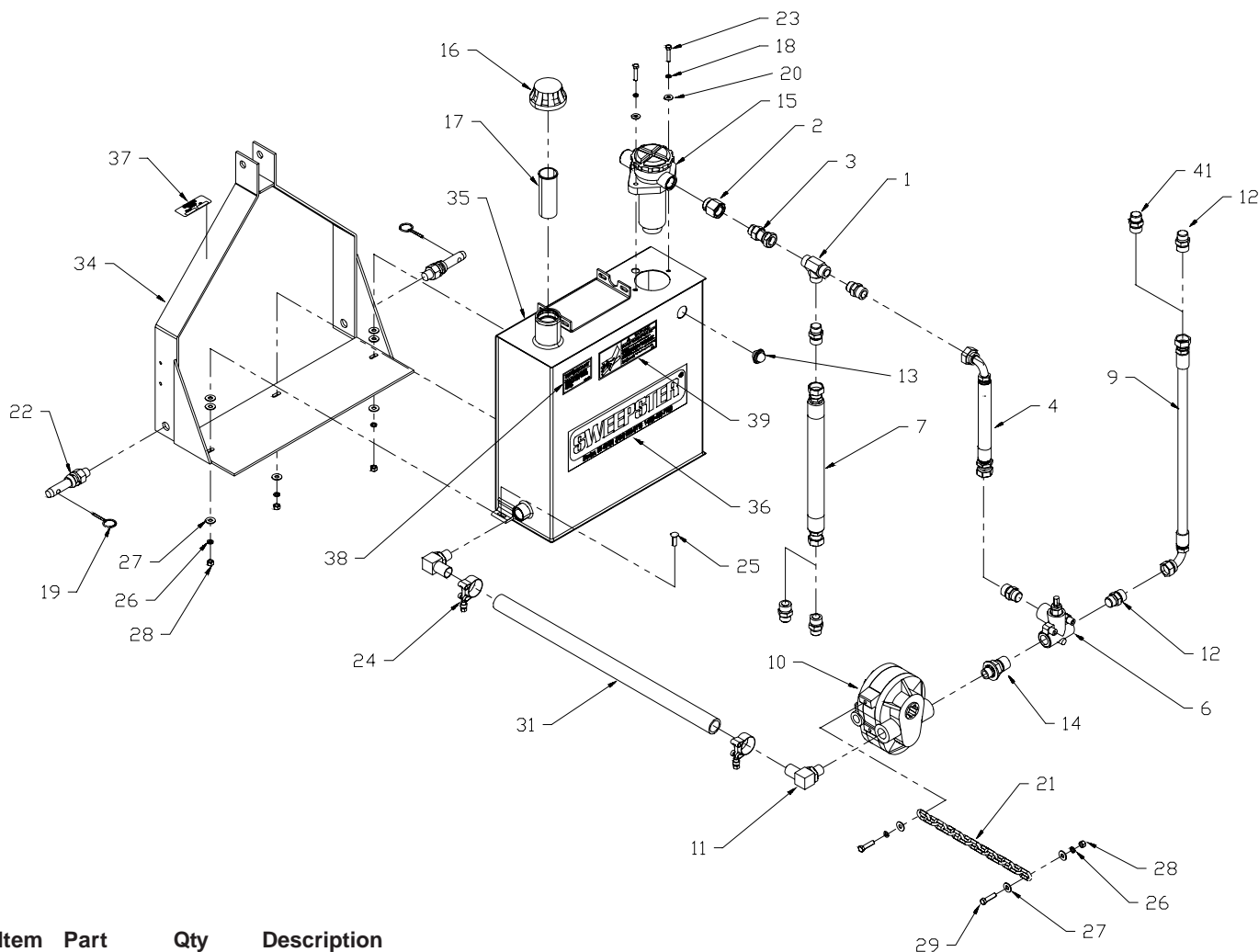
PARTS SECTION
SWING ASSEMBLIES

11-4200 (RLH) & 11-4202 (RLCH) Category I Hitch, with Power Pack

Item	Part	Qty	Description
1.	03-1940	1	Fitting, Tee, HP, 3/4MFS
2.	03-1958	1	Hose, 3/4 x 78, 2W, 3/4FFS, 3/4FFS
3.	03-0129	1	Valve, Relief, 3/4 Ports
4.	03-3779	2	Fitting, Adapter, HP, 1 1/16MOR, 3/4FFS
5.	03-0577	1	Fitting, HP, 90°, 1 1/16MOR, 3/4FP
6.	03-0597	1	Pump, PTO, 20 gpm (RLCH)
	03-0691	1	Pump, PTO, 12 gpm (RLH)
7.	03-0710	1	Fitting, Barb, HP, 90°, 1 1/4, 1 5/16MOR
8.	03-3968	1	Hose, 3/4 x 60, 2W, 3/4FFS, 3/4FFS90
9.	03-4709	1	Gauge, Sight, Window, 1 inch
10.	03-3816	1	Filter, Hydraulic, Return Line, 39 GPM
11.	03-1022-10	1	Fitting, Nipple, HP, Hex, 3/4MP, 3/4MP
12.	03-3142	1	Fitting, Adapter, HP, 1 5/16MOR, 1 1/16FOR
13.	03-5055	1	Cap, Breather, Hydraulic Tank, Pressurized, 5psi
14.	03-1943	2	Fitting, Adapter, HP, 3/4MFS, 3/4MP
15.	07-2116	2	Screw, HHC, Gr8, 3/8-16 x 1 1/4
16.	07-2855	1	Screw, HHC, 5/8-11 x 2 1/2
17.	07-1717	3	Bolt, Carriage, Gr5, 3/8-16 x 1 1/4
18.	07-0119	3	Bolt, Carriage, 5/8 x 1 3/4
19.	07-3279	10	Washer, Flat, Gr8, 3/8
20.	07-3120	3	Washer, Flat, Gr8, 5/8
21.	07-1718	5	Washer, Lock, Split, Medium, 3/8
22.	07-1872	4	Washer, Lock, Split, Medium, 5/8
23.	07-3654	4	Nut, Hex, Gr8, 3/8-16
24.	07-1294	4	Nut, Hex, Gr8, 5/8-11
25.	07-0216	1	Spring, Tension, 1.87 x 10.31
26.	07-0244	2	Pin, Link, #1600
27.	07-4642	1	Strainer, Filler Spout, for 03-4939
28.	07-0246	2	Chain, 1/4, 13 Links
29.	07-0285	2	Pin, Link, Category I
31.	07-1192	2	Clamp, T-Bolt, 1 1/4
32.	07-1558	1	Chain, 1/4, 18 Links
33.	09-0020	5ft	Hose, Suction, 1 1/4, Bulk
35.	13-4657	1	Bushing, 1 x 5/8 x .562
37.	13-13256	1	Weld, Tank, 3-Point
38.	11-9080	1	Weld, Plate, Swing
39.	13-0440	2	Bracket, Chain, Toplink, 3-Point
40.	13-7910	1	Weld, Frame, Mounting/Swing, RLCH for Hydraulic Tank
	13-0844	1	Weld, Frame, Swing, RLH for Hydraulic Tank
41.	13-2002	1	Pin, Toplink, 3-Point
43.	50-0185	1	Label, Logo, White, Medium, Sweepster
44.	50-0249	1	Label, Plate, Part Number/Date
45.	50-0272	1	Label, Oil, ISO VG 46
46.	07-0290	2	Chain, 1/4, 39 Links
47.	07-2032	2	Clevis, Double Link, 9/32, Gr80
48.	11-1888	2	Plate, Support, Chain
49.	07-3273	2	Washer, Lock, Split, Medium, 5/16
50.	07-3275	2	Washer, Flat, Gr8, 5/16
51.	07-3647	2	Screw, HHC, Gr8, 5/16-18 x 1 1/2
53.	07-1817	6	Tie, Plastic, 15, White, Reuse
57.	50-0439	1	Label, Warning, Inspect Hydraulic Components

11-4200 (RLH) & 11-4202 (RLCH) Category I Hitch, with Power Pack



PARTS SECTION
POWER PACK**Power Pack for 3-Point Hitch for AH/CH/Loader Mounting
11-7690 (12 gpm [.76 lps]) or 11-7691 (20 gpm [1.01 lps])****Item Part Qty Description**

1.	03-1940	1	Fitting, Tee, HP, 3/4MFS
2.	03-3142	1	Fitting, Adapter, HP, 1 5/16MOR, 1 1/16FOR
3.	03-3779	1	Fitting, Adapter, HP, 1 1/16MOR, 3/4FFS
4.	03-1971	1	Hose, 3/4 x 56, 1W, 3/4FFS, 3/4FFS90
6.	03-0129	1	Valve, Relief, 3/4 Ports
7.	03-2473	1	Hose, 3/4 x 204, 2W, 3/4FFS, 3/4FFS
9.	03-2443	1	Hose, 3/4 x 156, 2W, 3/4FFS, 3/4FFS90
10.	03-0691	1	Pump, PTO, 12gpm
	03-0597	1	Pump, PTO, 20gpm
11.	03-0710	2	Fitting, Barb, HP, 90°, 1 1/4, 1 5/16MOR
12.	03-1943	4	Fitting, Adapter, HP, 3/4MFS, 3/4MP
13.	03-4709	1	Gauge, Sight, Window, 1 In
14.	03-0938	1	Fitting, Adapter, HP, 1 1/16MOR, 3/4MP
15.	03-3816	1	Filter, Hydraulic, Return Line, 39gpm
16.	03-5055	1	Cap, Breather, 5psi
17.	03-4642	1	Strainer, Filler Spout

Item Part Qty Description

18.	07-3273	2	Washer, Lock, Split, Medium, 5/16
19.	07-0244	2	Pin, Linch, 1/4
20.	07-3275	2	Washer, Flat, Gr8, 5/16
21.	07-0246	1	Chain, 1/4, 13 Links
22.	07-0285	2	Pin, Cat I, Hitch, Gr2
23.	07-3647	2	Screw, HHC, Gr8, 5/16-18 x 1 1/2
24.	07-1192	2	Clamp, T-Bolt, 1 1/4
25.	07-1717	3	Bolt, Carriage, 3/8-16 x 1 1/4
26.	07-1718	5	Washer, Lock, Split, Medium, 3/8
27.	07-3279	10	Washer, Flat, Gr8, 3/8
28.	07-3654	4	Nut, Hex, Gr8, 3/8-16
29.	07-3655	2	Screw, Cap, 3/8 x 1 1/2
31.	09-0020	5ft	Hose, Suction, 1 1/4
34.	11-7688	1	Weld, Mounting, Tank, 3-Point
35.	13-13256	1	Weld, Tank, AH/CH, 3 PT
36.	50-0185	1	Label, Logo, Sweepster, White
37.	50-0249	1	Label, Plate, Part Number, Date
38.	50-0272	1	Label, Oil, ISO VG 46
39.	50-0439	1	Label, Warning, Inspect Hydraulics
41.	03-1945	2	Fitting, Adapter, HP, 1 1/16MOR, 3/4MFS

Notes

PARTS SECTION
TANKASSEMBLIES

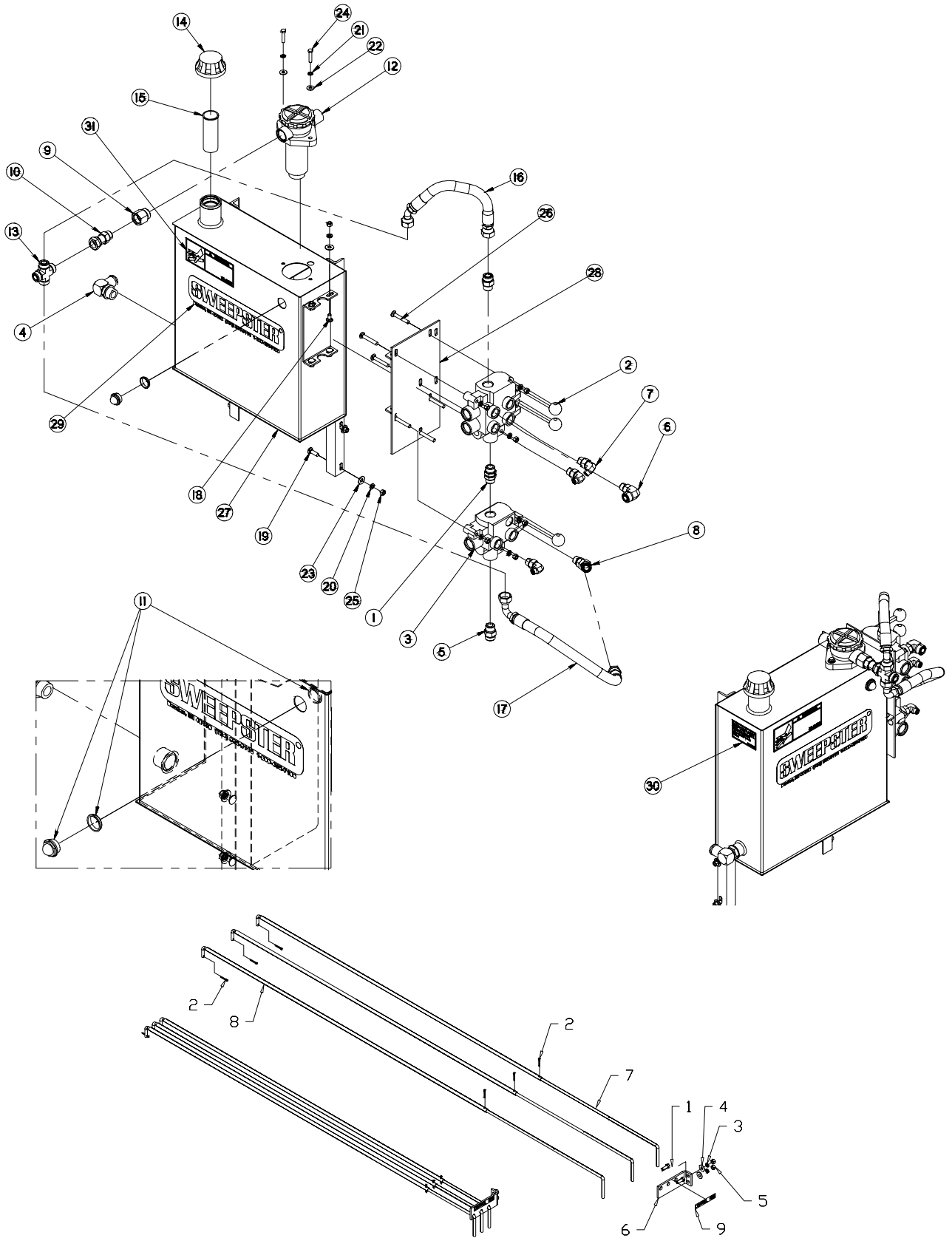
11-5309 AH/CH with Manual Valve

Item	Part	Qty	Description
1.	03-0573	1	Fitting, Union, HP, Brush Head, 3/4, M37, with 2 O-Rings
2.	03-0601	1	Valve, 2 Spool, Run/Swing, with Handles
	03-0665		Handle, Valve, No Hole
	13-8603		Handle, Valve, with Hole
	03-0666		Kit, Pin/Clip, for Mounting Handle
	03-1272		Kit, Relief
3.	03-0602	1	Valve, 3 Way, 1 Spool, Lift, with Handles
	03-0665		Handle, Valve, No Hole
	13-8603		Handle, Valve, with Hole
	03-0666		Kit, Pin/Clip, for Mounting Handle
	03-1272		Kit, Relief
4.	03-0710	1	Fitting, Barb, HP, 90°, 1 1/4, 1 5/16MOR
5.	03-1945	2	Fitting, Adapter, HP, 1 1/16MOR, 3/4MFS
6.	03-1946	1	Fitting, Elbow, HP, 90°, 7/8MOR, 3/4MFS
7.	03-1953	3	Fitting, Elbow, HP, 90°, 7/8MOR, 3/8MFS
8.	03-2181	1	Fitting, Elbow, HP, 45°, 7/8MOR, 3/4MFS
9.	03-3142	1	Fitting, Adapter, HP, 1 5/16MOR, 1 1/16FOR
10.	03-3779	1	Fitting, Adapter, HP, 1 1/16MOR, 3/4MFS
11.	03-3815	1	Gauge, Sight, Window, 1 inch, Nylon
12.	03-3816	1	Filter, Hydraulic, Return Line, Tank, 39gpm
13.	03-4183	1	Fitting, Cross, 3/4MFS, All Ends
14.	03-5055	1	Cap, Filler, Breather, Hydraulic Tank
15.	03-4642	1	Strainer, Filler Spout
16.	03-4649	1	Hose, 3/4 x 17, 100R1, 12FFS, 12FFS45
17.	03-4650	1	Hose, 3/4 x 26, 100R1, 12FFS, 12FFS90
18.	07-1716	4	Bolt, Carriage, Gr5, 3/8-16 x 3/4
19.	07-1717	4	Bolt, Carriage, 3/8-16 x 1 1/4
20.	07-1718	14	Washer, Lock, Split, 3/8
21.	07-3273	2	Washer, Lock, Split, Medium, 5/16
22.	07-3275	2	Washer, Flat, Gr8, 5/16
23.	07-3279	8	Washer, Flat, 3/8
24.	07-3647	2	Screw, HHC, Gr8, 5/16-18 x 1 1/2
25.	07-3654	14	Nut, Hex, Gr8, 3/8-16
26.	07-3704	6	Bolt, Carriage, Gr5, 3/8-16 x 2 1/2
27.	13-12698	1	Weld, Tank, Front
28.	13-12970	1	Weld, Mounting, Manual Valve
29.	50-0185	1	Label, Logo, Sweepster, White, Medium
30.	50-0272	1	Label, Oil, ISO VG-46
31.	50-0439	1	Label, Warning, Inspect Hydraulic Components

Control Rods for Manual Valve

1.	07-0018	2	Screw, HHC, Gr8, 3/8-16 x 1
2.	07-0205	6	Pin, Cotter, 1/8 x 1
3.	07-1718	2	Washer, Lock, Split, Medium, 3/8
4.	07-3279	2	Washer, Flat, Gr8, 3/8
5.	07-3654	2	Nut, Hex, Gr8, 3/8-16
6.	11-0890	1	Bracket, Control Rod
7.	13-4245	3	Rod, Bent, Control
8.	13-4246	3	Weld, Control Rod
9.	50-0162	1	Label, Control Rod

11-5309 AH/CH with Manual Valve

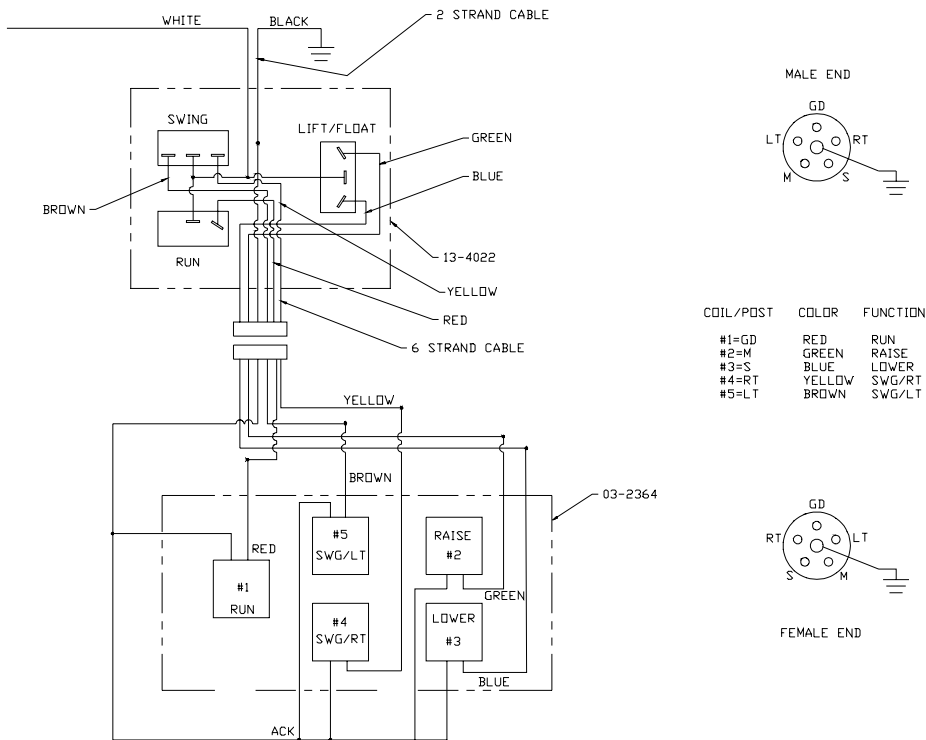
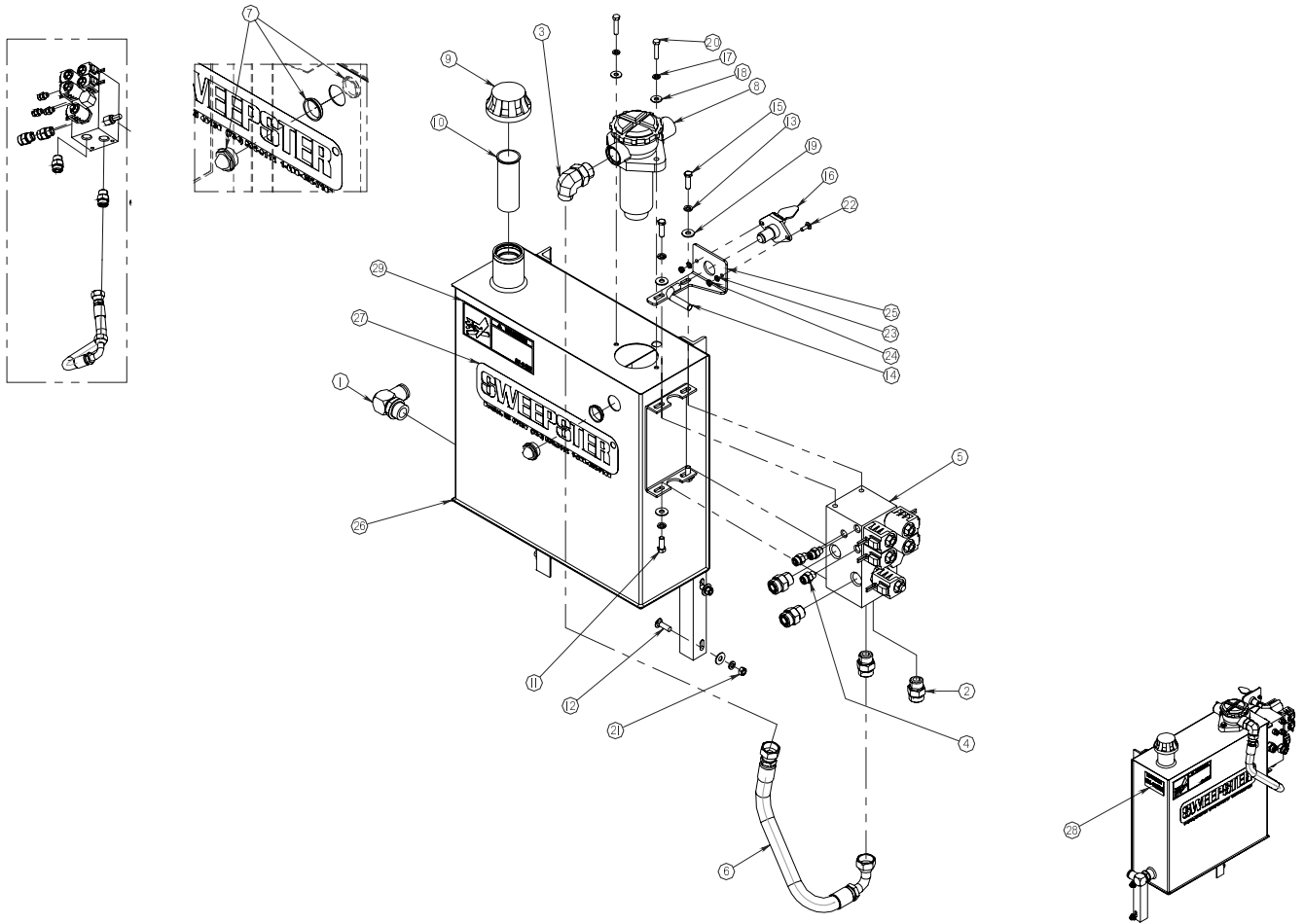


PARTS SECTION
TANKASSEMBLIES

11-5363 AH/CH with Electric Valves

Item	Part	Qty	Description
1.	03-0710	1	Fitting, Barb, HP, 90°, 1 1/4, 1 5/16MOR
2.	03-1945	4	Fitting, Adaptor, HP, 1 1/16MOR, 3/4MFS
3.	03-1956	1	Fitting, Elbow, HP, 90°, 1 5/16MOR, 3/4MFS
4.	03-2291	3	Fitting, Adaptor, HP, 3/8MFS, 9/16MOR
5.	03-2364	1	Manifold, 12 Volt, Swing/Lift/Run, with Screen
6.	03-2556	1	Hose, 3/4 x 24, 2W, 3/4FFS, 3/4FFS90
7.	03-3815	1	Gauge, Sight, Window, 1 inch, Nylon
8.	03-3816	1	Filter, Hydraulic, Return Line, Tank, 39gpm
9.	03-5055	1	Cap, Filler, Breather, Hydraulic Tank
10.	03-4642	1	Strainer, Filler, Spout
11.	07-0018	2	Screw, HHC, Gr8, 3/8-16 x 1
12.	07-1717	4	Bolt, Carriage, Gr5, 3/8-16 x 1 1/4
13.	07-1718	8	Washer, Lock, Split, Medium, 3/8
14.	07-1834	1	Loom, Flex, Guard, .5
15.	07-2116	2	Screw, HHC, Gr8, 3/8-16 x 1 1/4
16.	07-2898	1	Connector, 6 Pole, Socket
17.	07-3273	2	Washer, Lock, Split, Medium, 5/16
18.	07-3275	2	Washer, Flat, Gr8, 5/16
19.	07-3279	8	Washer, Flat, Gr8, 3/8
20.	07-3647	2	Screw, HHC, Gr8, 5/16-18 x 1 1/2
21.	07-3654	4	Nut, Hex, Gr8, 3/8-16
22.	07-3690	2	Bolt, Carriage, Gr5, 1/4-20 x 3/4
23.	07-4038	2	Washer, Lock, Split, Medium, 1/4
24.	07-4039	2	Nut, Hex, Gr8, 1/4-20
25.	13-11013	1	Plate, Mounting, QC, Socket, Bolt-On
26.	13-12698	1	Weld, Tank, Front
27.	50-0185	1	Label, Logo, Sweepster, White, Medium
28.	50-0272	1	Label, Oil, ISO VG 46
29.	50-0439	1	Label, Warning, Inspect Hydraulic Components

11-5363 AH/CH with Electric Valves

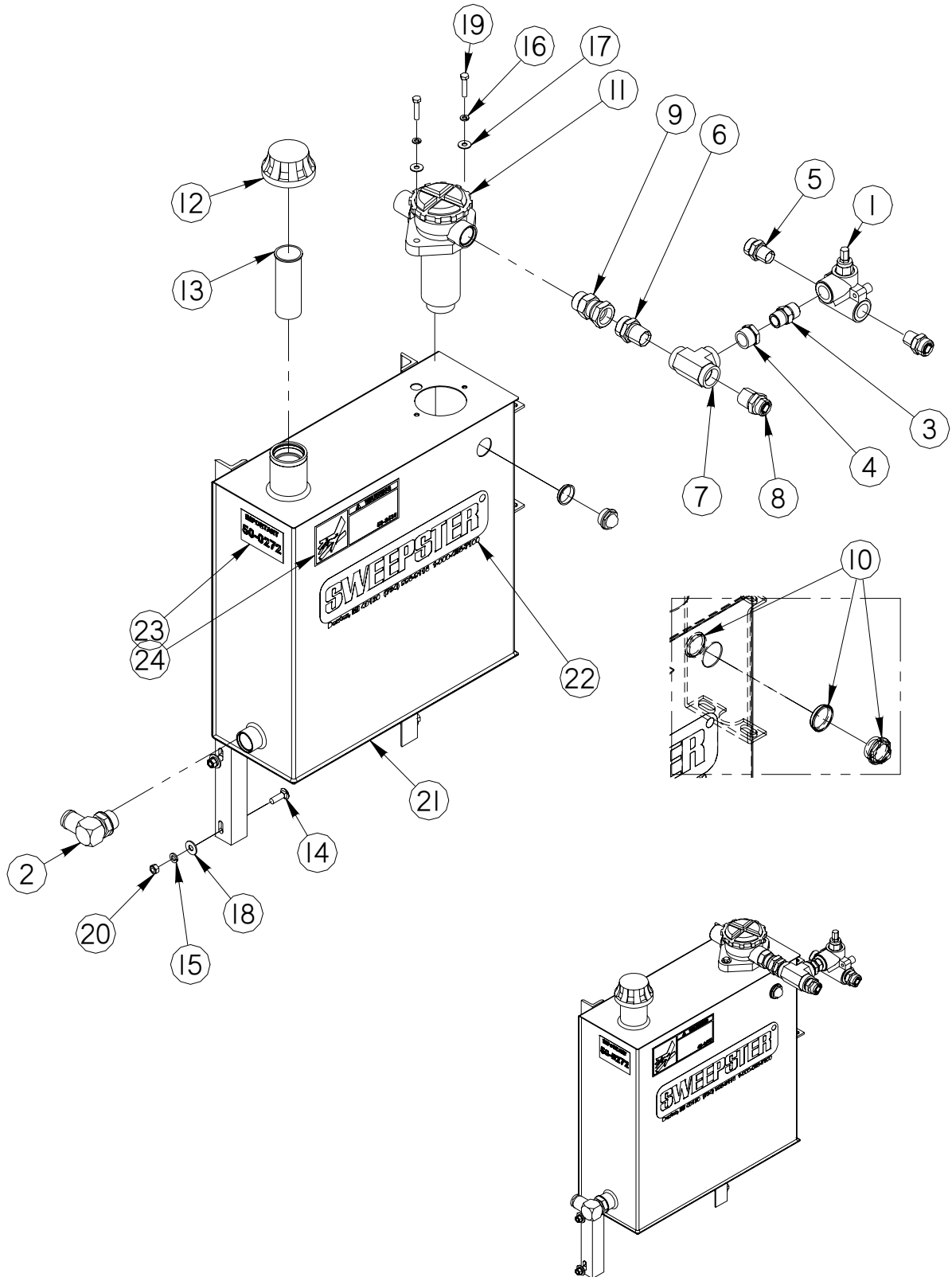


PARTS SECTION
TANKASSEMBLIES

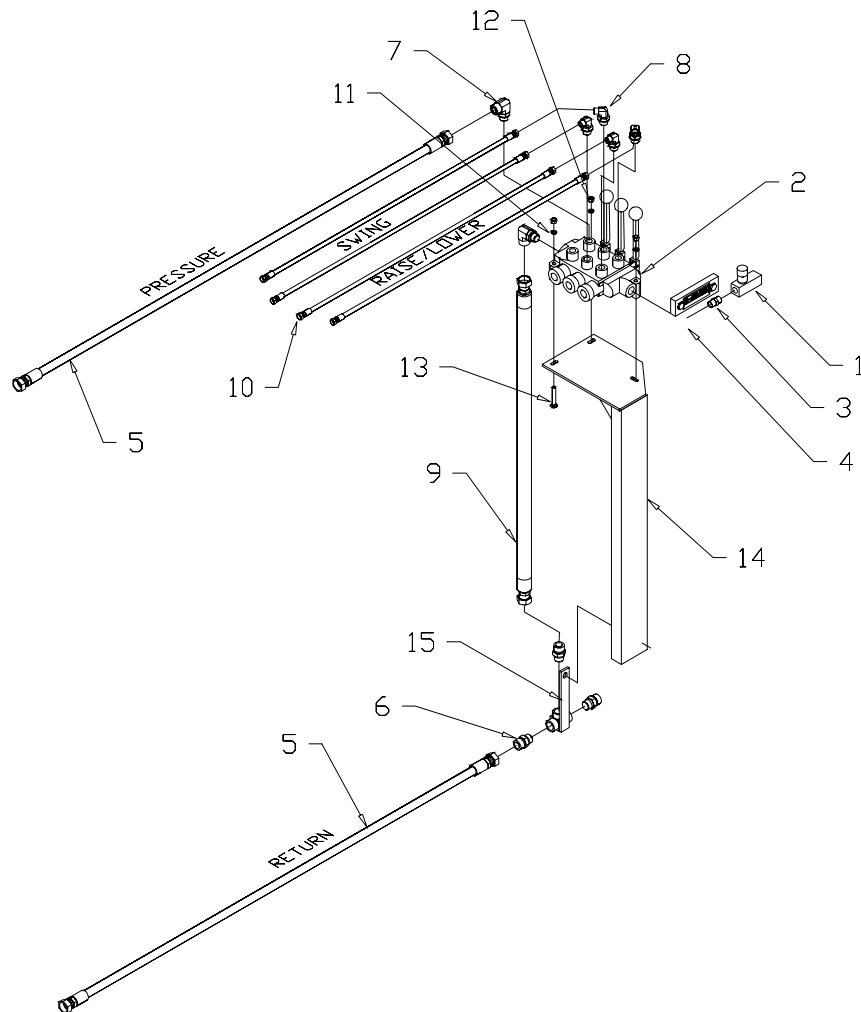
11-5364 AH/CH with No Valves

Item	Part	Qty	Description
1.	03-0129	1	Valve, Relief, 3/4 Ports
2.	03-0710	1	Fitting, Barb, HP, 90°, 1 1/4, 1 5/16MOR
3.	03-1022-10	1	Fitting, Nipple, HP, Hex, 3/4MP, 3/4MP
4.	03-1068-13	1	Fitting, Reducerbushing, HP, 1 x 3/4
5.	03-1943	2	Fitting, Adapter, HP, 3/4MFS, 3/4MP
6.	03-2729	1	Fitting, Adapter, HP, 1MP, 1MFS
7.	03-2910	1	Fitting, Tee, HP, 1FP, All Ends
8.	03-2911	1	Fitting, Adapter, HP, 3/4MFS, 1MP
9.	03-3778	1	Fitting, Adapter, HP, 1 5/16MOR, 1FFS
10.	03-3815	1	Gauge, Sight, Window, 1 inch, Nylon
11.	03-3816	1	Filter, Hydraulic, Return Line, Tank, 39gpm
12.	03-5055	1	Cap, Filler, Breather, Hydraulic Tank
13.	03-4642	1	Strainer, Filler, Spout, for 03-4939
14.	07-1717	4	Bolt, Carriage, 3/8-16 x 1 1/4
15.	07-1718	4	Washer, Lock, Split, Medium, 3/8
16.	07-3273	2	Washer, Lock, Split, Medium, 5/16
17.	07-3275	2	Washer, Flat, Gr8, 5/16
18.	07-3279	4	Washer, Flat, Gr8, 3/8
19.	07-3647	2	Screw, HHC, Gr8, 5/16-18 x 1 1/2
20.	07-3654	4	Nut, Hex, Gr8, 3/8-16
21.	13-12698	1	Weld, Tank, Front
22.	50-0185	1	Label, Logo, Sweepster, White, Medium
23.	50-0272	1	Label, Oil, ISO VG-46
24.	50-0439	1	Label, Warning, Inspect Hydraulic Components

11-5364 AH/CH with No Valves

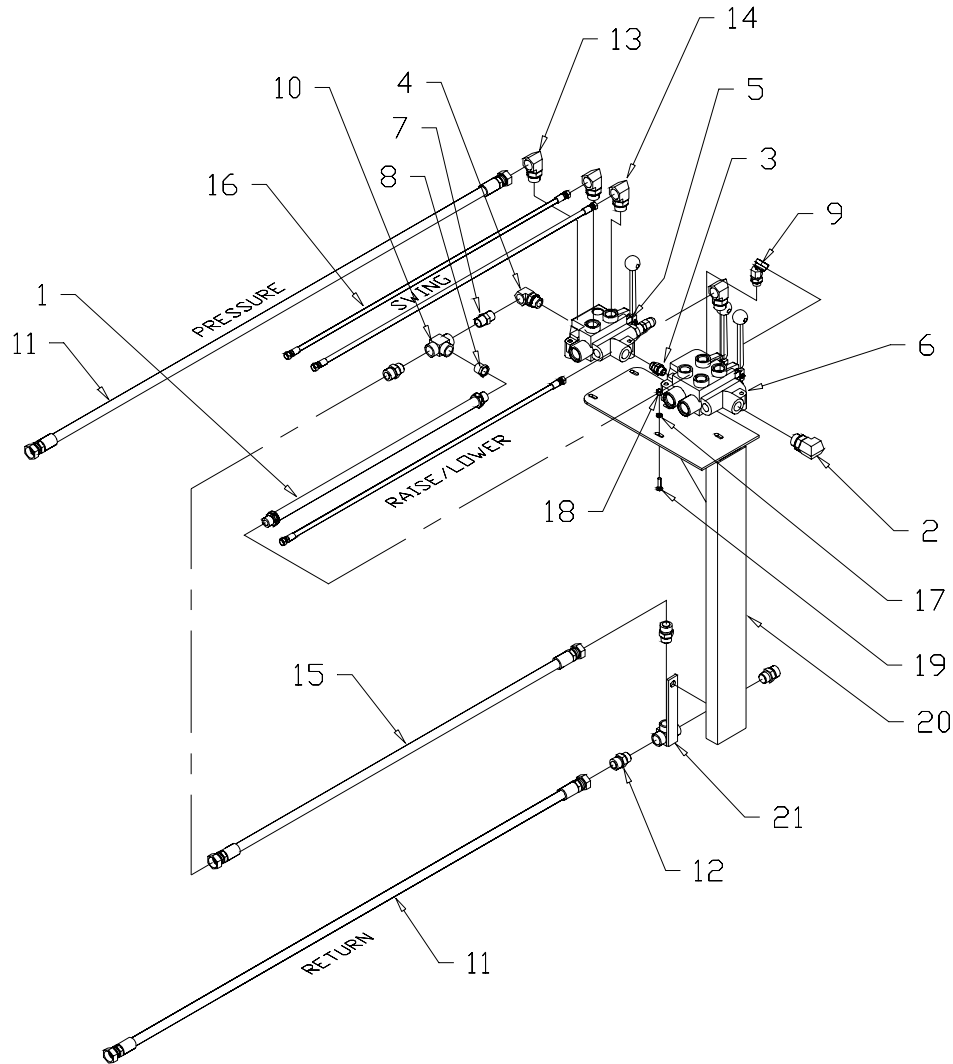


11-4773 Manual Valves, AHH/CHH with Closed Center Hydraulic Systems



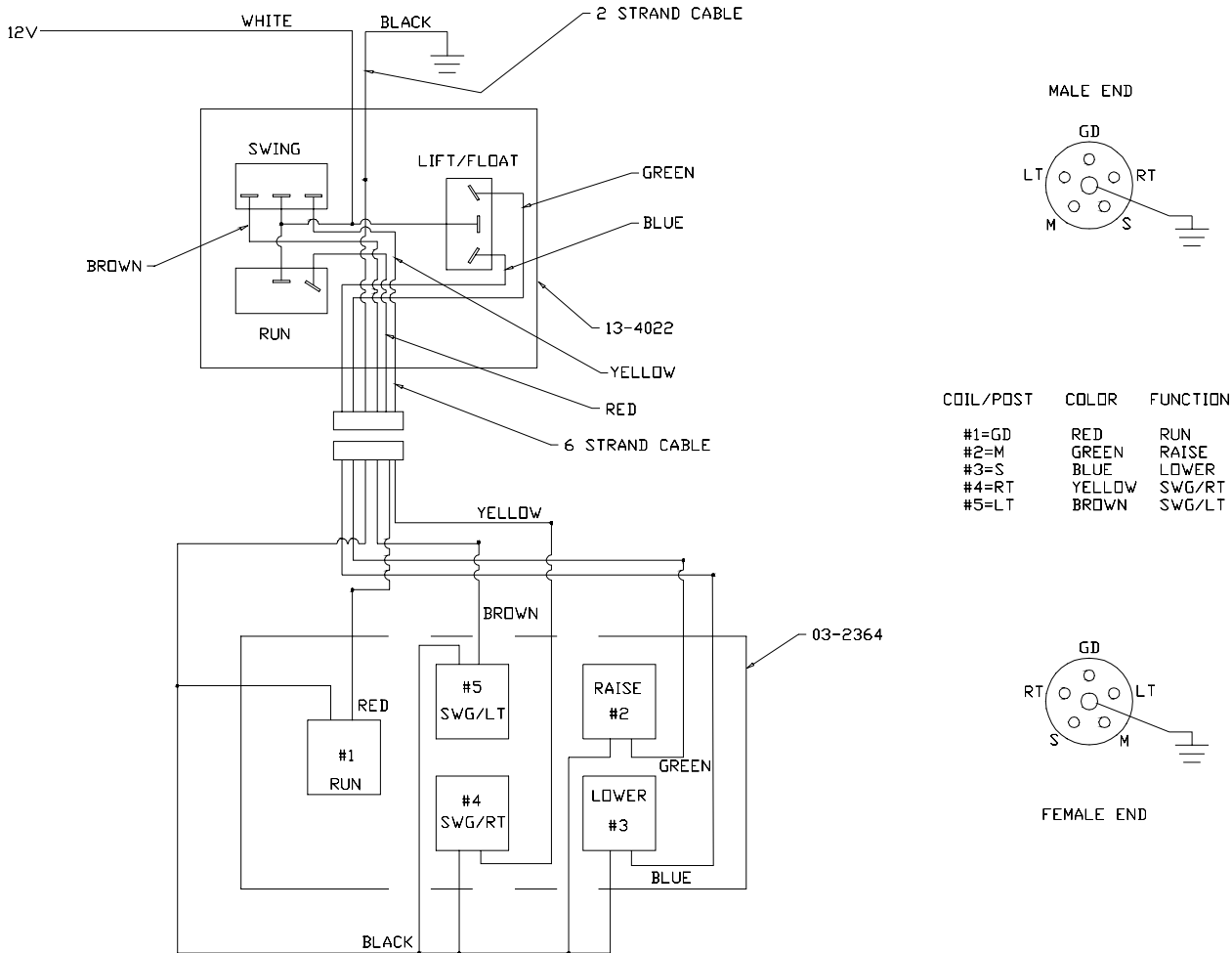
Item	Part	Qty	Description	Item	Part	Qty	Description
1.	03-0072	1	Valve, Needle, 1/2FP, Flow Meter	9.	03-2268	1	Hose, 3/4 x 42, 2 Wire, 3/4FFS, 3/8FFS
2.	03-0605	1	Valve, Closed Center, O-Ring Ports	10.	03-2340	4	Hose, 3/8 x 144, 1 Wire, 3/8FFS, 3/8FFS
	03-0665		Handle, Valve, No Hole	11.	07-1718	3	Washer, Lock, Split, 3/8
	03-0666		Kit, Pin/Clip, for Mounting Handle	12.	07-3654	3	Nut, Hex, 3/8-16
	03-1272		Kit, Relief	13.	07-3704	3	Bolt, Carriage, 3/8-16 x 1 1/2
3.	03-1022-7	1	Fitting, Nipple, HP, Hex, 1/2	14.	13-4209	1	Weld, Mounting, V, Pedestal, Closed Center
4.	03-1076	1	Fitting, Elbow, HP, 90°, 1 1/16MOR, 1/2FPS	15.	13-4226	1	Weld, Mounting, Tee, Hydraulic
5.	03-1918	2	Hose, 3/4 x 156, 2 Wire, 3/4FFS, 3/4FFS				
6.	03-1943	3	Fitting, Adapter, HP, 3/4MFS, 3/4MP				
7.	03-1946	2	Fitting, Elbow, HP, 90°, 7/8MOR, 3/4MFS				
8.	03-1953	4	Fitting, Elbow, HP, 90°, 7/8MOR, 3/8MFS				

11-4772 Manual Valves AHH/CHH with Open Center Hydraulic Systems

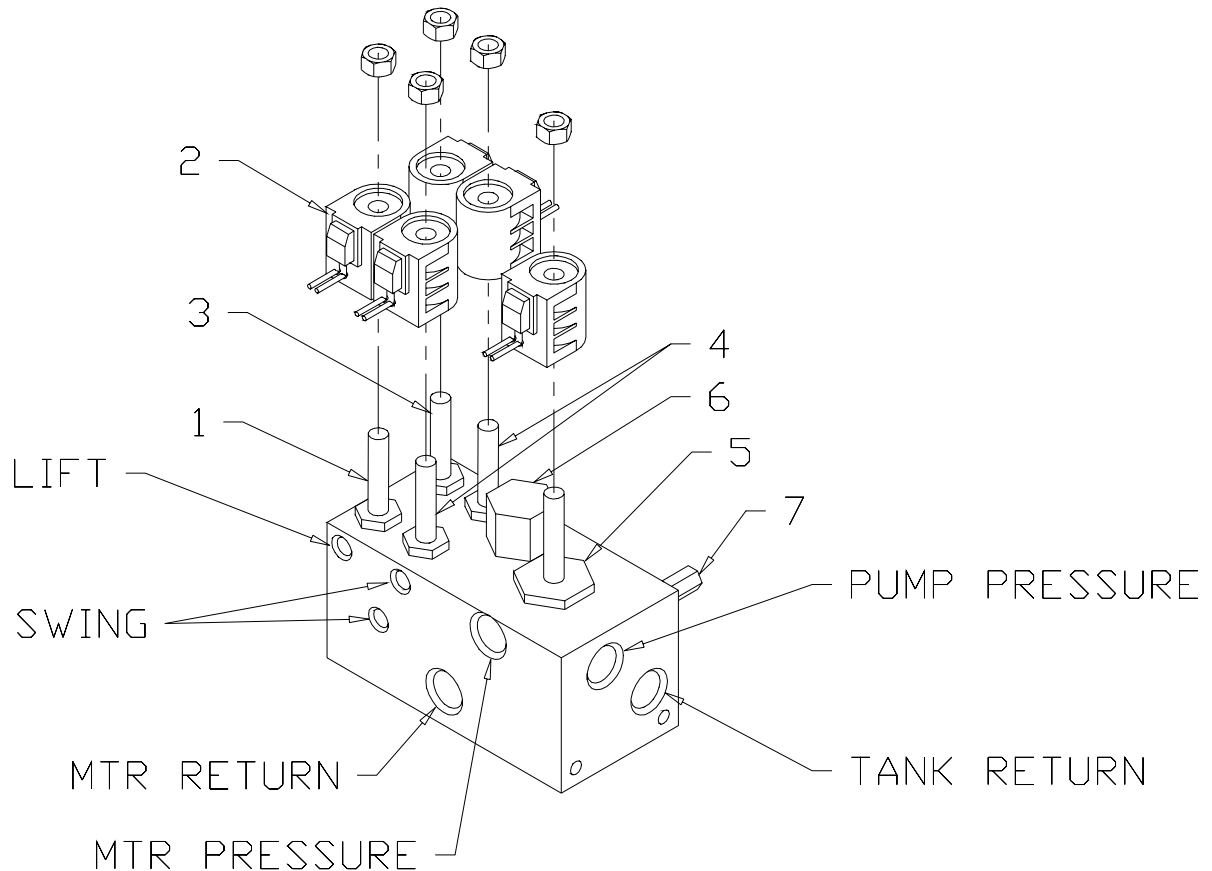


Item	Part	Qty	Description	Item	Part	Qty	Description
1.	03-0427	1	Hose, 1/2 x 18, 1 Wire, 1/2MP, 1/2MP	8.	03-1068-9	1	Fitting, Reducer Bushing, HP, 3/4 x 1/2
2.	03-0563	1	Fitting, Elbow, HP, 90°, 1 1/16MOR, 3/4FFS	9.	03-1204	1	Fitting, Elbow, HP, 45, 7/8MOR, 1/2FFS
3.	03-0573	1	Fitting, Union, HP, 3/4 M37, O-Rings	10.	03-1312	1	Fitting, Tee, HP, 3/4FP, All Ends
4.	03-0577	1	Fitting, Elbow, HP, 90°, 1 1/16MOR, 3/4FP	11.	03-1918	2	Hose, 3/4 x 156, 2 Wire, 3/4FFS, 3/4FFS
5.	03-0601	1	Valve, 2 Spool, Run/Swing, with Handles	12.	03-1943	4	Fitting, Adapter, HP, 3/4MFS, 3/4MP
	03-0665		Handle, Valve, No Hole	13.	03-1946	1	Fitting, Elbow, HP, 90°, 7/8MOR, 7/8MFS
	03-0666		Kit, Pin/Clip, for Mounting Handle	14.	03-1953	3	Fitting, Elbow, HP, 90°, 7/8MOR, 3/8MFS
	03-1272		Kit, Relief	15.	03-1963	1	Hose, 3/4 x 56, 2 Wire, 3/4FFS, 3/4FFS
6.	03-0602	1	Valve, 3 Way, 1 Spline, Lift, with Handles	16.	03-2340	3	Hose, 3/8 x 144, 1 Wire, 3/8FFS, 3/8FFS
	03-0665		Handle, Valve, No Hole	17.	07-1718	6	Washer, Lock, Split, 3/8
	03-0666		Kit, Pin/Clip, for Mounting Handle	18.	07-3654	6	Nut, Hex, 3/8-16
	03-1272		Kit, Relief	19.	07-3704	6	Bolt, Carriage, 3/8-16 x 2 1/2
7.	03-1022-10	1	Fitting, Nipple, HP, Hex, 3/4MP, 3/4MP	20.	13-3900	1	Weld, Mounting, Valve, Pedestal
				21.	13-4226	1	Weld, Mounting, Tee, Hydraulic

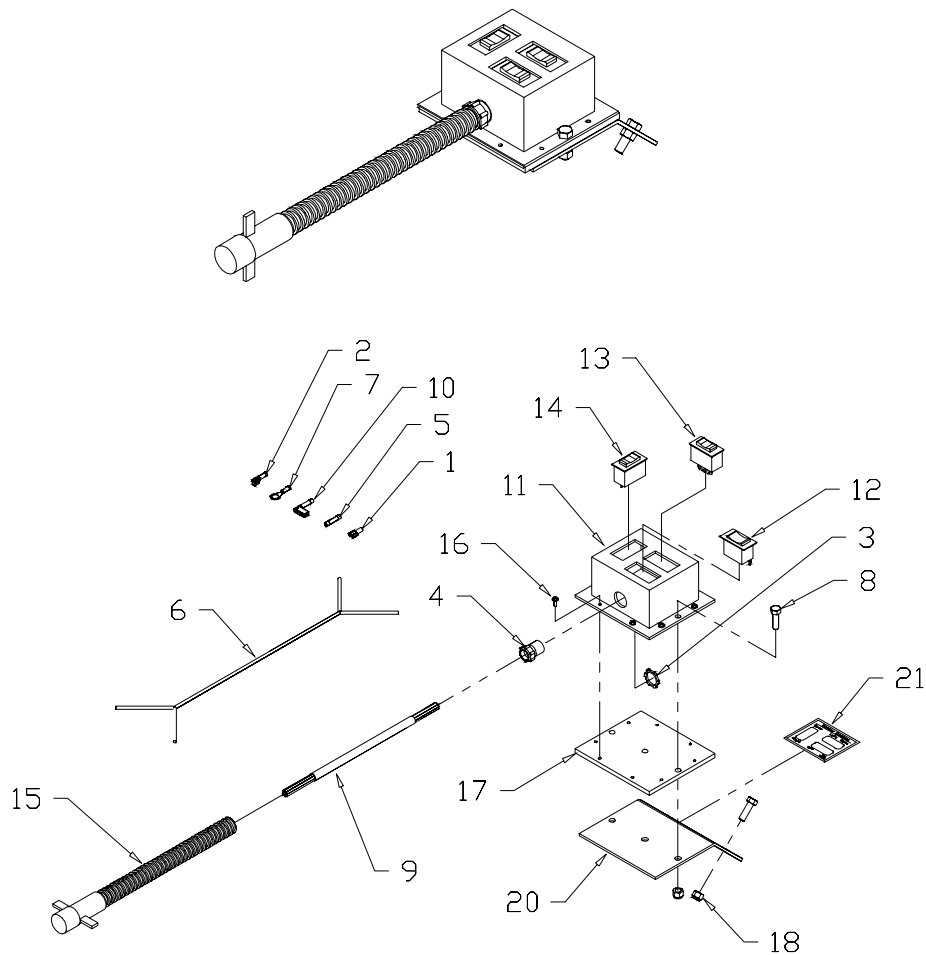
13-4022 Electric Valves, Wiring Schematic



03-2364 for 13-4022 Electric Valves - Manifold

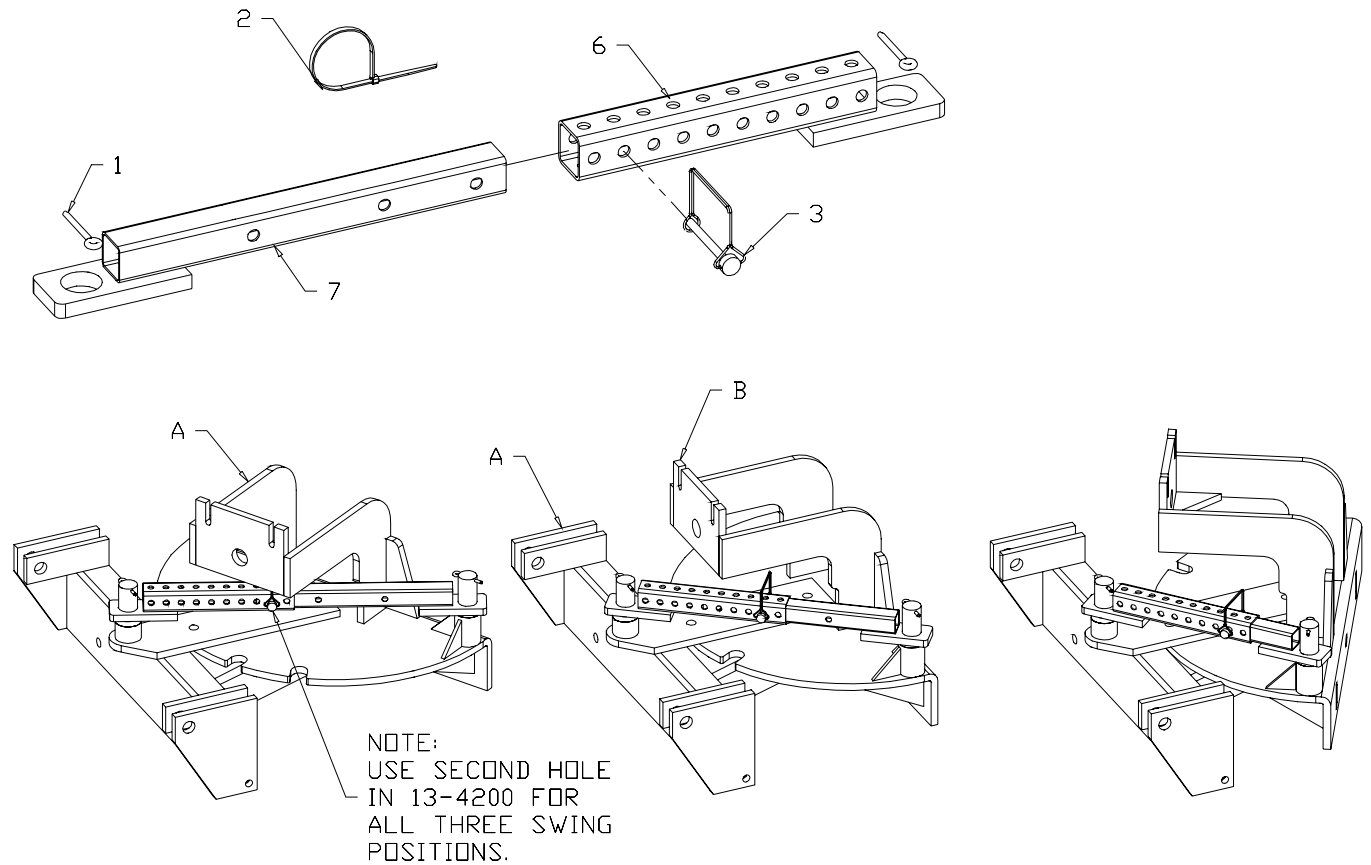


Item	Part	Qty	Description
1.	03-1396	1	Valve, Cartridge, Down, Manifold Block
	03-1509		Kit, Seal, for 07-3078/07-3079/07-3080
2.	07-3077	5	Coil, 12 volt, Delta, Manifold Block
	07-3354	5	Coil, 24 volt, Delta, Manifold Block
3.	07-3078	1	Valve, Cartridge, Up, Manifold Block
	03-1509		Kit, Seal, for 07-3078/07-3079/07-3080
4.	07-3080	2	Valve, Cartridge, Swing, Left/Right, Manifold Block
	03-1509		Kit, Seal for 07-3078/07-3079/07-3080
5.	07-3081	1	Valve, Cartridge, Brush Motor, Manifold, Block
	03-2926		Kit, Seal, for 07-3081/07-3082
6.	07-3082	1	Valve, Cartridge, Flow Divider, Manifold Block
	03-2926		Kit, Seal for 07-3081/07-3082
7.	07-3148	1	Valve, Cartridge, Relief, Manifold Block
	03-2927		Kit, Seal, for 07-3148

13-4022 Control Box

Item	Part	Qty	Description
1.	07-0812	3	Terminal, Connector, 1/4, Female, 16-14
2.	07-0815	2	Terminal, Connector, 1/4M-F, 16-14
3.	07-0856	1	Nut, Lock, 1/2, for Strain Relief
4.	07-0857	1	Strain, Relief, 1/2, 16-12
5.	07-0867	1	Terminal, Butt, Spline, 16-14
6.	07-0917	13ft	Wire, Cord, 16 Gauge, 2 Cond
7.	07-0929	1	Terminal, Ring, 3/8, 16-14
8.	07-1714	4	Screw, Cap, 5/16-18 x 1
9.	07-2133	16ft	Wire, Cord, 16 Gauge, 6 Cond, Trailer Cord
10.	07-2264	5	Terminal, 90°, Flag, 16-14
11.	07-2893	1	Box, 3 Switch, Monarch
12.	07-2894	1	Switch, Rocker, SPST, On-Off, Red, Broom
13.	07-2895	1	Switch, Rocker, SPDT, (On)-Off-(On), Swing Left/Right
14.	07-2896	1	Switch, Rocker, SPDT, (On)-Off-(On), Raise-Off-Lower [Detented Side]
15.	07-2897	1	Connector, 6 Pole, Plug
16.	07-2908	8	Screw, Self-Tapping, 8-16 x 3/8
17.	07-2909	1	Plate, Plastic, Monarch
18.	07-3270	4	Nut, Hex, Nylock, 5/16-18
20.	13-4023	1	Plate, Mounting, Control Box
21.	50-0207	1	Label, Electric Control, Sweeper

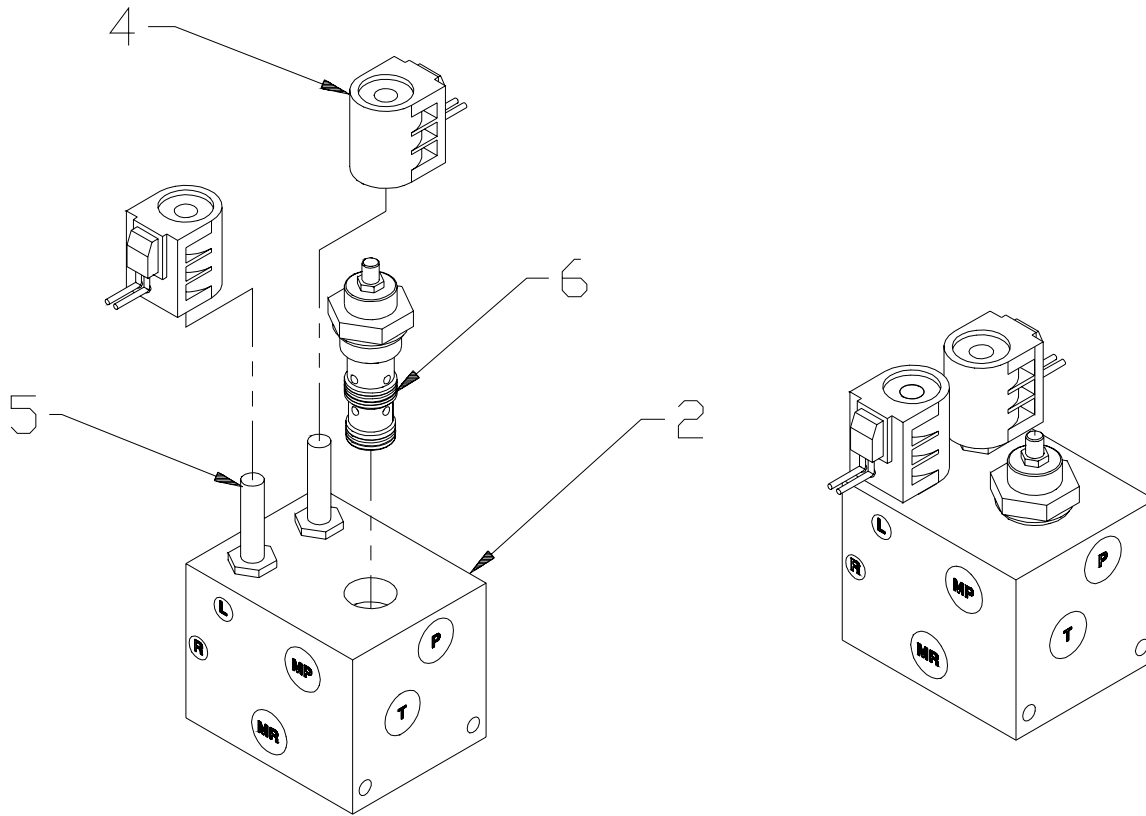
() = Momentary Spring Centered

28-4626 Manual Angle Kit (CH Swing Only)

Item	Part	Qty	Description
1.	07-0206	2	Pin, Cotter, 3/16 x 2
2.	07-0678	1	Tie, 7 1/2
3.	07-2105	1	Pin, Lock, 3/8 Square
6.	13-4200	1	Weld, Link, Outer, 15 1/4, 21 1/4
7.	13-10504	1	Weld, Link, Inner, Manual Angle, CH Swing
A.	13-10476	1	Weld, Swing, Frame, CH
B.	13-10477	1	Weld, Plate, Swing, CH

PARTS SECTION
HYDRAULIC ANGLE

Swing Manifold



Item	Part	Qty	Description
2.	03-2543	1	Manifold, 12 volt, Swing, with Screen
	03-2742	1	Manifold, 24 volt, Swing, with Screen
4.	07-3077	2	Coil, 12 volt, Delta, Manifold Block
	07-3354	2	Coil, 24 volt, Delta, Manifold Block
5.	07-3080	2	Valve Cartridge, Swing, Left/Right
	03-1509		Kit, Seal, for 07-3080
6.	07-3082	1	Valve, Cartridge, Flow Divider
	03-2926		Kit Seal, for 07-3082

Options Section

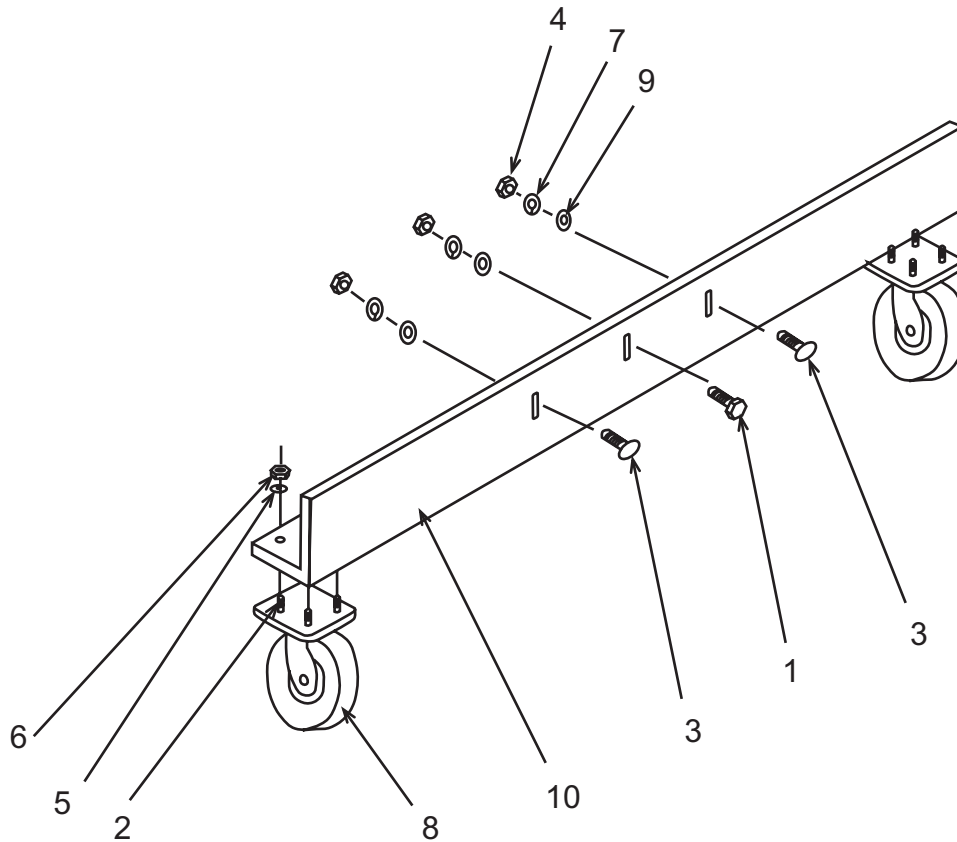
QC Series Angle Brooms

Table of Contents

Options	70-78
Caster Kits	70
Dirt Deflector	71-72
Hood Kits 180°	73
Hydraulic Angle	74
3PT Water Tank/Mounting	75
Sprinkler System	76-77
Sight Indicators	78

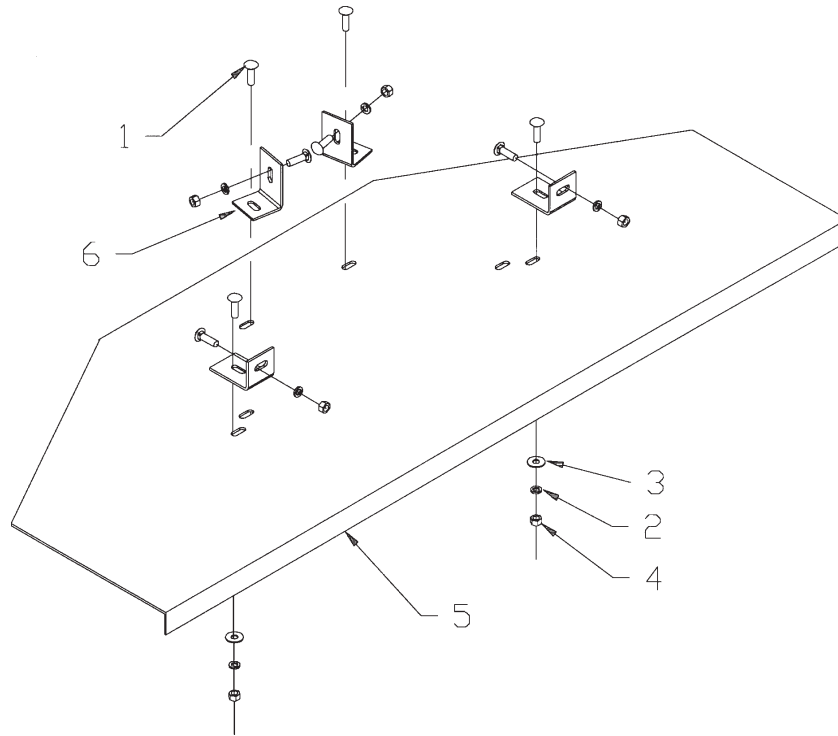
OPTION SECTION
CASTER KIT

13-1603 for RLH/RLCH/Loader



Item	Part	Qty	Description
1.	07-0066	1	Screw, Cap, 5/8-11 x 2
2.	07-3708	8	Bolt, Carriage, 1/2-13 x 1 1/2
3.	07-0120	2	Bolt, Carriage, 5/8-11 x 2
4.	07-1294	3	Nut, Hex, 5/8-11
5.	07-1762	8	Washer, Lock, Split, 1/2
6.	07-1764	8	Nut, Hex, 1/2-13
7.	07-1872	3	Washer, Lock, Split, 5/8
8.	07-1892	2	Caster, Assembly, 8 inch
9.	07-3120	2	Washer, Flat, 5/8
10.	13-1602	1	Angle, Mounting, Caster

RHFADD for RLH/RLCH

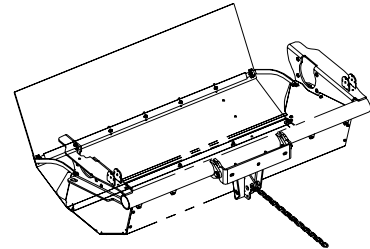
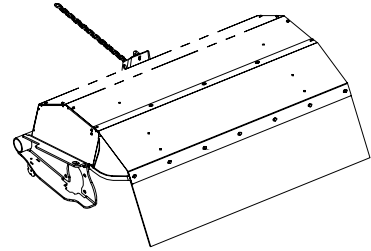
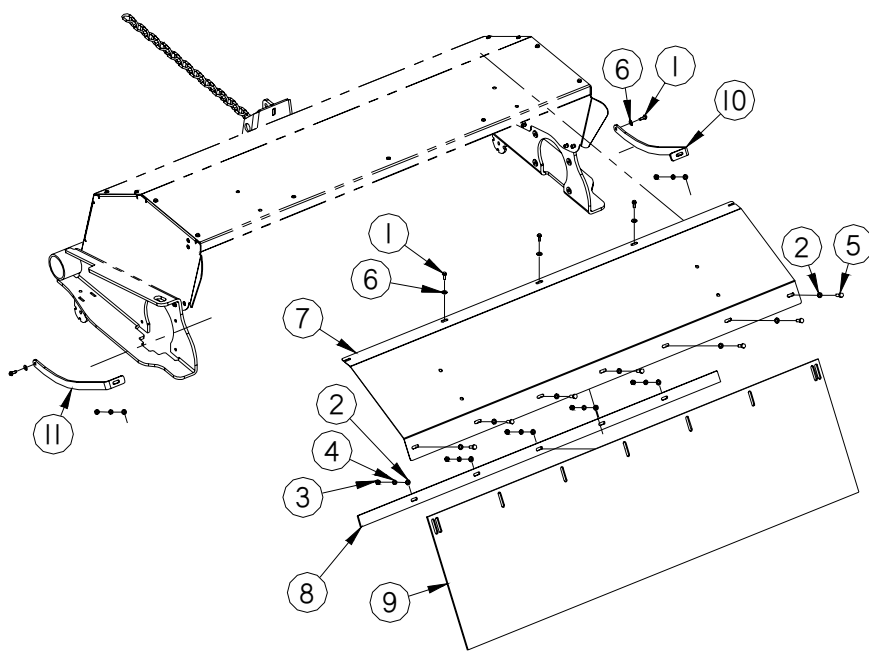


Item	Part	Qty	Description
1.	07-1717	8	Bolt, Carriage, 3/8-16 x 1 1/4
2.	07-0168	8	Washer, Lock, Split, 3/8
3.	07-3279	4	Washer, Flat, 3/8
4.	07-3654	8	Nut, Hex, 3/8-16
5.	11-9491	1	Deflector, Dirt
6.	13-0351	4	Angle, Mounting, Dirt Deflector

OPTION SECTION
DIRT DEFLECTOR

Dirt Deflector Kits

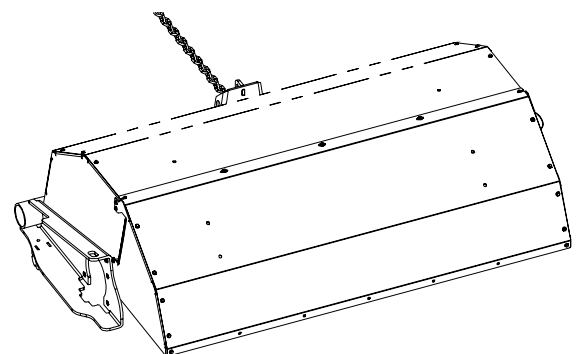
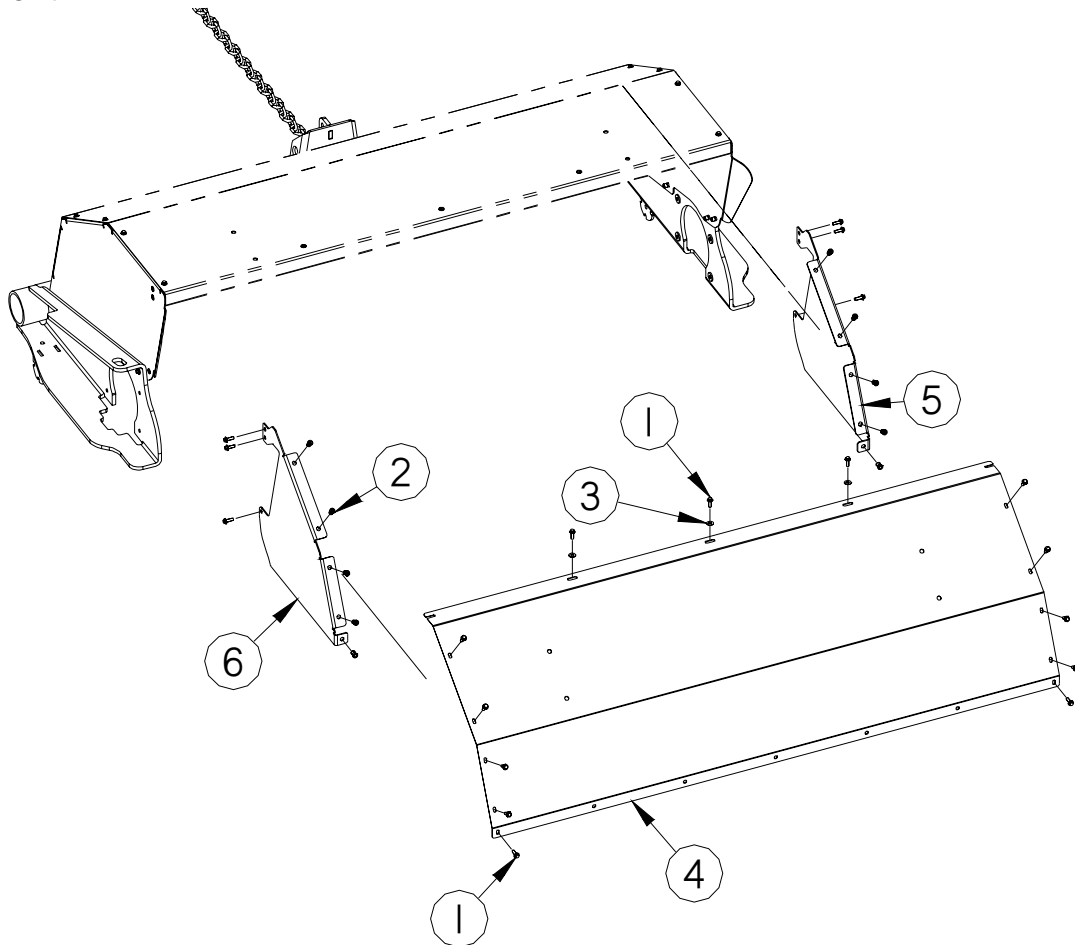
28-9718 5 Ft
28-9719 6 Ft
28-9720 7 Ft
28-9721 8 Ft



Item	Part	Qty	Description
1.	07-2952	5	Screw, HFH, CL10.9, M6-1 x 20
2.	07-3736	14	Washer, Flat, CL8.8, M8, (5,6,7 Ft)
	07-3736	18	Washer, Flat, CL8.8, M8, (8 Ft)
3.	07-3737	7	Nut, Hex, CL10, M8-1.25, (5,6,7 Ft)
	07-3737	9	Nut, Hex, CL10, M8-1.25, (8 Ft)
4.	07-3738	7	Washer, Lock, Split, Medium, M8, (5,6,7 Ft)
	07-3738	9	Washer, Lock, Split, Medium, M8, (8 Ft)
5.	07-3739	7	Screw, HHC, CL10.9, M8-1.25 x 25mm, (5,6,7 Ft)
	07-3739	9	Screw, HHC, CL10.9, M8-1.25 x 25mm, (8 Ft)
6.	07-4927	5	Washer, Fender, CL8.8, M6
7.	13-12833	1	Plate, Dirt Deflector, 5 Ft
	13-12295	1	Plate, Dirt Deflector, 6 Ft
	13-12807	1	Plate, Dirt Deflector, 7 Ft
	13-12510	1	Plate, Dirt Deflector, 8 Ft
8.	13-12834	1	Plate Retainer, Dirt Deflector, 5 Ft
	13-12298	1	Plate Retainer, Dirt Deflector, 6 Ft
	13-12806	1	Plate Retainer, Dirt Deflector, 7 Ft
	13-12509	1	Plate Retainer, Dirt Deflector, 8 Ft
9.	13-13303	1	Flap, Neoprene, Dirt Deflector, 5 Ft
	13-13302	1	Flap, Neoprene, Dirt Deflector, 6 Ft
	13-13272	1	Flap, Neoprene, Dirt Deflector, 7 Ft
	13-13301	1	Flap, Neoprene, Dirt Deflector, 8 Ft
10.	13-13415	1	Bracket, Deflector, Left
11.	13-13416	1	Bracket, Deflector, Right

180° Hood Kits

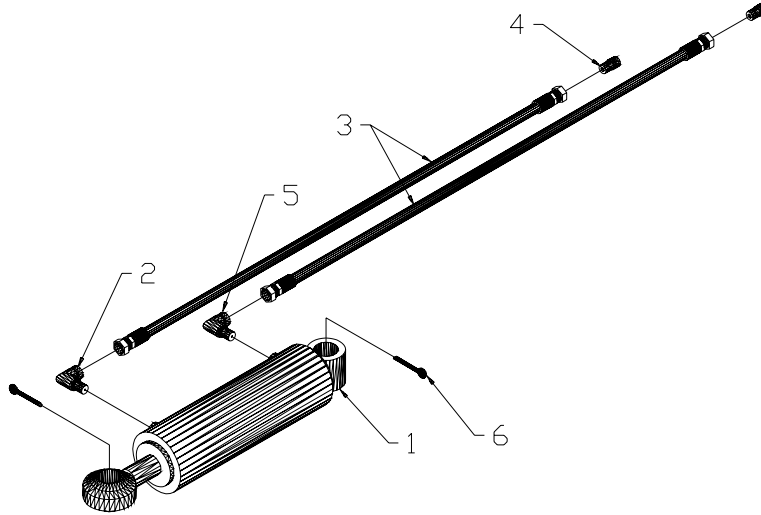
28-9722 5 Ft
 28-9723 6 Ft
 28-9724 7 Ft
 28-9725 8 Ft



Item	Part	Qty	Description
1.	07-2952	19	Screw, HFH, CL10.9, M6-11 x 20
2.	07-3617	10	Nut, Insert, Hex, M6 x 1
3.	07-4927	3	Washer, Fender, CL8.8, M6
	13-12699	1	Plate, Hood, 180° 6 Ft
	13-12826	1	Plate, Hood, 180° 7 Ft
	13-12397	1	Plate, Hood, 180° 8 Ft
5.	13-13417	1	Plate, Side, Left, Hood
6.	13-13418	1	Plate, Side, Right, Hood

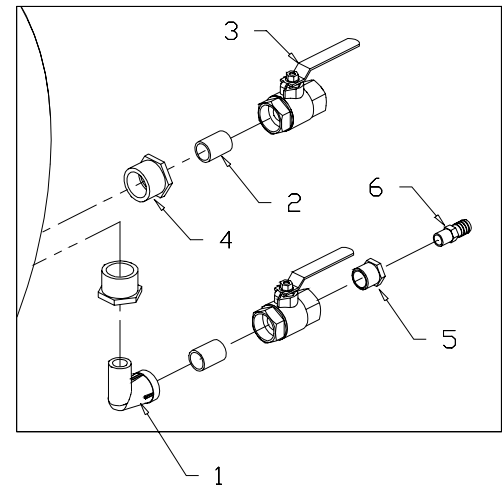
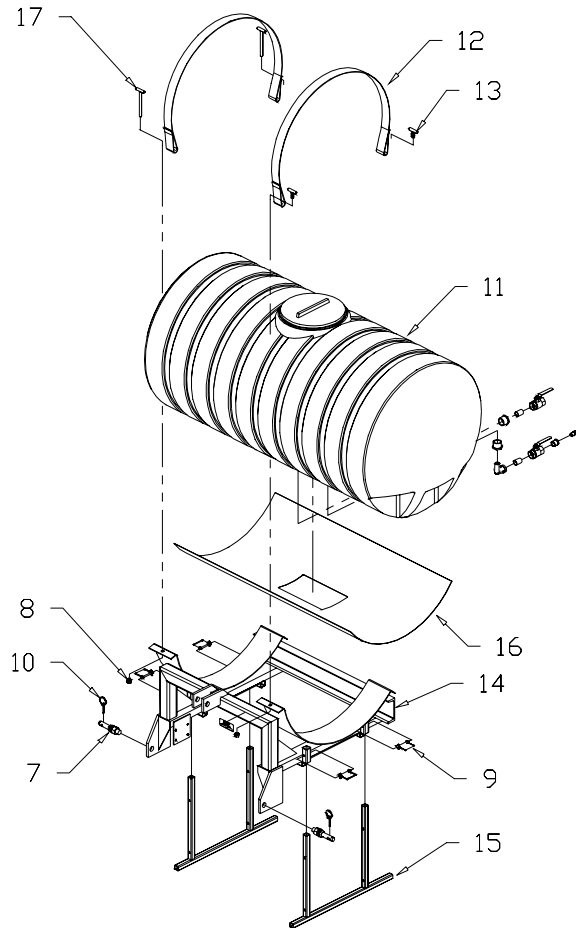
OPTION SECTION
HYDRAULIC ANGLE

Hydraulic Angle - Field Installed 11-4297 & 11-4298



Item	Part	Qty	Description
1.	03-1929	1	Cylinder, Hydraulic, 3-Bore, 7 1/2 Stroke
2.	03-2092	1	Fitting, Elbow, HP, 90°, 9/16MOR, 3/8MFS
3.	03-2155	2	Hose, 1/4 x 72, 1 Wire, 3/8FFS, 3/8FFS (11-4298)
	03-2158	2	Hose, 1/4 x 144, 1 Wire, 3/8FFS, 3/8FFS (11-4297)
4.	03-2159	2	Fitting, Adapter, HP, 3/8MFS, 1/4MP
5.	03-2345	1	Fitting, Orifice, .078, Elbow, 90°, HP, 9/16MOR, 3/8MFS
6.	07-0206	2	Pin, Cotter, 3/16 x 2

3PT Water Tank and Mounting 11-5734



Item	Part	Qty	Description
1.	03-0029	1	Fitting, Street Elbow, BP, 90°, 3/4
2.	03-0054	2	Fitting, Nipple, BP, Close, 3/4
3.	03-0569	2	Valve, Shut-Off, Ball, 3/4
4.	03-0572	2	Fitting, Reducerbushing, BP, 1 1/4, 3/4
5.	03-1068-9	1	Fitting, Reducerbushing, HP, 3/4,1/2
6.	03-1226	1	Fitting, Barb, HP, 5/8, 1/2MP
7.	07-0285	2	Pin, Link, CAT1, Gr2
8.	07-4037	4	Nut, Hex, Gr2, 1/2-13, Nylock
9.	07-1607	4	Pin, Lock, 5/16Sq, Bail, Leg
10.	07-2843	2	Pin, Klik, 3/16 x 1 5/8
11.	07-3592	1	Assembly, Tank, Water, 200 Gallon
12.	09-0058	2	Strap, Nylon, Tank, Water
13.	11-7417	2	Weld, Bolt, Tee, 1 1/2
14.	13-2139	1	Weld, Mounting, Tank
15.	13-2152	2	Weld, Stand
16.	13-2155	1	Liner, Tank, 200 Gallon
17.	11-7051	2	Weld, Bolt, Tee, Sprinkler
18.	50-0249	1	Label, Plate, Part Number

OPTIONS SECTION
 SPRINKLER SYSTEM

Sprinkler System

Item	Part	Qty	Description
1.	03-0076	1	Fitting, Nipple, BP, Close, 3/8
2.	03-0457	1	Fitting, Barb, Nylon, 3/8-3/8MP
3.	03-0819	2	Fitting, Reducer, Bushing, BP, 1/2-3/8
4.	03-1326	1	Pump, Flojet, Water, 2.9 gpm, 12 volt
	03-2558		Pump, Flojet, Water, 2.9 gpm, 24 volt
5.	03-1709	2	Fitting, Barb, Nylon, 5/8-3/8MP
6.	07-0343	1	Switch, Toggle, 2 Position
7.	07-0411	3	Nozzle, Tee, with Clamp (5/6/7)
	07-0411	5	Nozzle, Tee, with Clamp (8/9/10)
8.	07-0412	2	Nozzle, Elbow, with Clamp
9.	07-0413	5	Nozzle, Cap, Nylon, (5/6/7)
	07-0413	7	Nozzle, Cap, Nylon, (8/9/10)
10.	07-0414	4	Nozzle, Tip, Brass (5/6/7)
	07-0414	6	Nozzle, Tip, Brass (8/9/10)
11.	07-0417	1	Fitting, Barb, Brass, 3/8
12.	07-0532	1	Strainer, Hypro, Water
13.	07-0547	2	Clamp, Spring, 7/8 Hose
14.	07-0549	10	Clamp, Spring, 5/8 Hose (5/6/7)
	07-0549	14	Clamp, Spring, 5/8 Hose (8/9/10)
15.	07-0867	4	Terminal, Butt
16.	07-0917	20ft	Wire, Bulk, Cord, 16 Gauge
17.	07-0929	1	Terminal, Ring, 3/8, 16-14
18.	07-1716	4	Bolt, Carriage, 3/8-16 x 1
19.	07-1718	4	Washer, Lock, Split, 3/8
20.	07-3279	4	Washer, Flat, 3/8
21.	07-3638	4	Screw, Cap, 1/4-20 x 1 1/4
22.	07-3654	4	Nut, Hex, 3/8-16
23.	07-4032	4	Washer, Flat, 1/4
24.	07-4038	4	Washer, Lock, Split, 1/4
25.	07-4039	4	Nut, Hex, 1/4-20
26.	07-4673	2	U-Bolt, Standard, 1/4-20 x 1
28.	09-0028	7ft	Hose, Heater, 5/8(5/6/7/9/10)
	09-0028	10ft	Hose, Heater, 5/8 (8)
29.	09-0056	23.75ft	Hose, Heater, 3/8 (5)
	09-0056	25ft	Hose, Heater, 3/8 (6)
	09-0056	26.25ft	Hose, Heater, 3/8 (7)
	09-0056	27.5ft	Hose, Heater, 3/8 (8)
	09-0056	28.75ft	Hose, Heater, 3/8 (9)
	09-0056	29ft	Hose, Heater, 3/8 (10)
32.	13-2164	1	Tube, RD, 7/8 x 16 Gauge x 60 (5)
	11-6684	1	Tube, RD, 7/8 x 16 Gauge x 72 (6/7)
	13-2812	1	Tube, RD, 7/8 x 16 Gauge x 92.37 (8)
	13-2802	1	Tube, RD, 7/8 x 16 Gauge x 104 (9/10)
33.	13-10076	2	Plate, Mounting, Sprinkler Bar, Adjustment

Sprinkler System

12 Volt

11-4190 (5 Ft [1.3m])

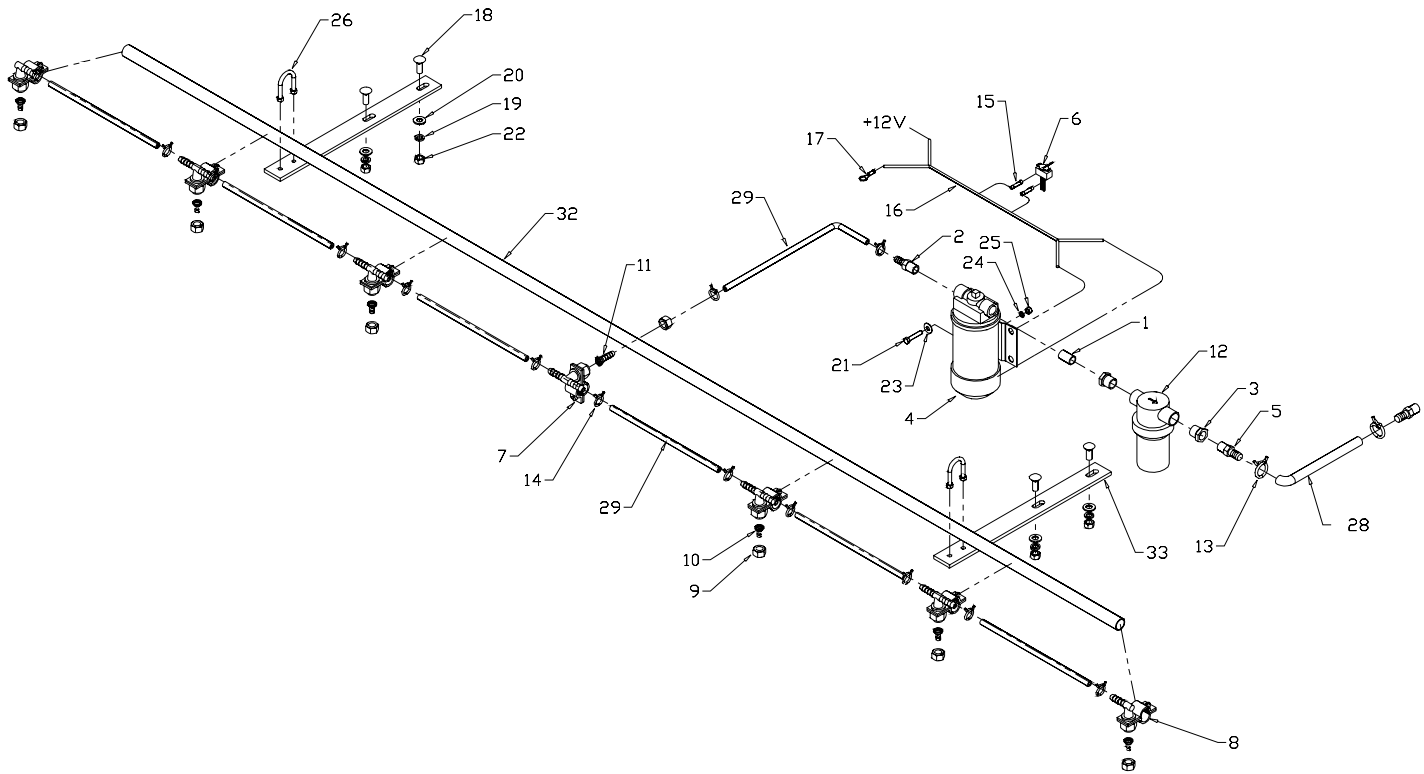
11-4045 (6 Ft [1.5m])

11-4171 (7 Ft [1.8m])

11-4062 (8 Ft [2.0m])

24 Volt

11-4379 (8 Ft)

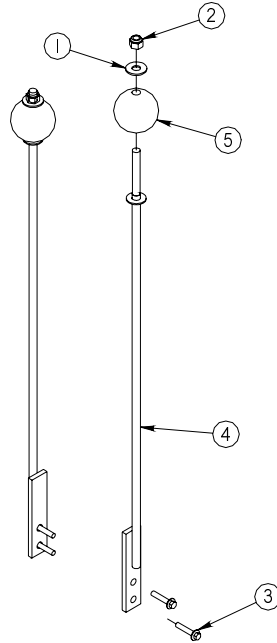


OPTIONS SECTION
SIGHT INDICATOR KITS

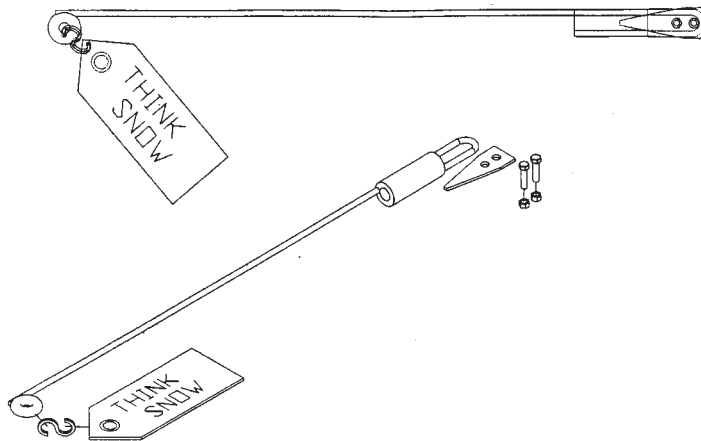
Sight Indicators

Kit: 28-9965

Item	Part	Qty	Description
1.	07-3279	2	Washer, Flat, Gr8, 3/8
2.	07-4036	2	Nut, Hex, Nylock, 3/8-16
3.	07-6597	4	Screw, HFH, CL10.9, M6-1 x 30
4.	13-14857	2	Weld, Sight Indicator
5.	13-9567	2	Ball, 2 1/8, Red, with Hole



Kit: 11-5897



Appendix

QC Series Angle Brooms

Table of Contents

Bolt Torque Specifications	80
Hydraulic Fittings Torque Specifications	81-82
Glossary	83-84
Warranty Information	85-86

APPENDIX
TORQUE SPECS.

Bolt Torque Specifications

Body Size Grade 5	Ft-lbs		Body Size Class 8.8	Ft-lbs
1/4 - 20	6 ± 1		M6 - 1.0	5 ± 1
- 28	7 ± 1		n/a	-
5/16 - 18	13 ± 3		n/a	-
- 24	14 ± 3		n/a	-
3/8 - 16	23 ± 5		M8 - 1.25	14 ± 3
- 24	26 ± 5		- 1.0	-
7/16 - 14	37 ± 8		M10 - 1.5	29 ± 6
- 20	41 ± 9		- 0.75	-
1/2 - 13	56 ± 11		M12 - 1.75	50 ± 10
- 20	63 ± 12		- 1.0	-
9/16 - 12	82 ± 14		M14 - 2.0	80 ± 14
- 18	91 ± 16		- 1.5	-
5/8 - 11	113 ± 20		M16 - 2.0	125 ± 22
- 18	127 ± 23		- 1.5	-
3/4 - 10	201 ± 26		n/a	-
- 16	223 ± 29		n/a	-
7/8 - 9	321 ± 41		M20 - 2.5	244 ± 31
- 14	355 ± 46		- 1.5	-
1 - 8	483 ± 62		M24 - 3.0	422 ± 54
- 12	528 ± 68		- 2.0	-

Body Size Grade 8	Ft-lbs		Body Size Class 10.9	Ft-lbs
1/4 - 20	9 ± 2		M6 - 1.0	8 ± 1
- 28	10 ± 2		n/a	-
5/16 - 18	18 ± 4		n/a	-
- 24	20 ± 4		n/a	-
3/8 - 16	32 ± 7		M8 - 1.25	20 ± 4
- 24	37 ± 8		- 1.0	-
7/16 - 14	52 ± 11		M10 - 1.5	40 ± 8
- 20	58 ± 12		- 0.75	-
1/2 - 13	80 ± 16		M12 - 1.75	69 ± 14
- 20	90 ± 18		- 1.0	-
9/16 - 12	115 ± 20		M14 - 2.0	110 ± 20
- 18	128 ± 23		- 1.5	-
5/8 - 11	159 ± 28		M16 - 2.0	173 ± 31
- 18	180 ± 32		- 1.5	-
3/4 - 10	282 ± 36		n/a	-
- 16	315 ± 41		n/a	-
7/8 - 9	454 ± 59		M20 - 2.5	337 ± 44
- 14	500 ± 65		- 1.5	-
1 - 8	681 ± 88		M24 - 3.0	583 ± 75
- 12	746 ± 97		- 2.0	-

Foot-pounds may be converted to Newton Meters by multiplying by 1.35582

Foot-pounds may be converted to Inch-pounds by multiplying by 12.

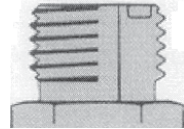
If the nut and screw are not the same grade, the lower grade will always be used.

NOTE - Nylock nuts are utilized when greater resistance to vibrating loose is required, and greater operating temperatures are not a factor. In addition, like lock nuts, nylock nuts have a safety feature that if the bolt does vibrate loose, the nut will remain on the screw. Install nylock nuts to the standard torque shown above.

Hydraulic Torque Specifications

Face Seal: Assembly, Tube to Fitting

Note - Face seal fittings have the most reliable sealing method and therefore, should be used whenever possible.



Installation

1. Make sure threads and sealing surfaces are free of burrs, nicks, scratches, or any foreign materials.
2. Install proper SAE o-ring to end of fitting if not already installed. Ensure o-ring is fully seated and retained properly.
3. Lubricate o-ring with a light coating of clean hydraulic oil.
4. Position tube and nut squarely on face seal of fitting and tighten nut finger tight.
5. Using appropriate torquing device, tighten to given torque rating from the table below.

Torque Values:

SAE Dash Size	Tube Side Thread Size	In-lbs	Ft-lbs
-4	9/16 - 18	220 ± 10	18 ± 1
-6	11/16 - 16	320 ± 25	27 ± 2
-8	13/16 - 16	480 ± 25	40 ± 2
-10	1 - 14	750 ± 35	63 ± 3
-12	1 3/16 - 12	1080 ± 45	90 ± 4
-16	1 7/16 - 12	1440 ± 90	120 ± 8
-20	1 11/6 - 12	1680 ± 90	140 ± 8
-24	2 - 12	1980 ± 100	165 ± 8

NOTE - ft-lb may be converted to Newton Meters by multiplying by 1.35582.

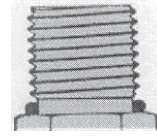
NOTE - in-lbs may be converted to Newton Meters by multiplying by 0.11298.

APPENDIX
TORQUE SPECS.

Hydraulic Torque Specifications

Straight Thread O-ring Fitting: Assembly, Fitting to Port

NOTE - Straight thread o-ring fittings are utilized to adapt hydraulic systems to motors, pumps, cylinders, and valves.



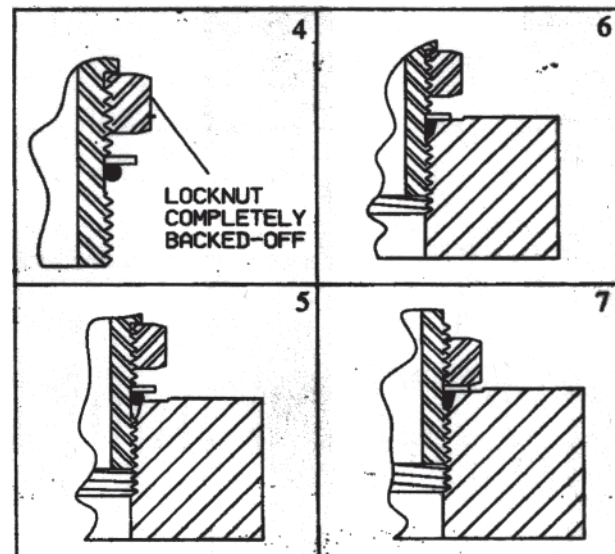
Installation (Adjustable Fitting)

1. Make sure threads and sealing surfaces are free of burrs, nicks, scratches, or any foreign materials.
2. Install proper SAE o-ring on port end of fitting if not already installed. Ensure o-ring is fully seated and retained properly.
3. Lubricate o-ring with a light coating of clean hydraulic oil.
4. Back off nut as far as possible and push washer up as far as possible. (Figure 4 & 5)
5. Screw fitting into port. Hand tighten fitting until backup washer contacts face of port. (Figure 6)
6. To position the fitting, unscrew to desired position, but not more than one full turn.
7. Hold fitting in position with wrench. Using appropriate torquing device, tighten nut to given torque rating from the table in section. (Figure 7)

Torque Values

Fitting Size	SAE Port Thread Size	In-Lbs	Ft-Lbs
-4	7/16 - 20	190 ± 10	16 ± 1
-6	9/16 - 18	420 ± 15	35 ± 1
-8	3/4 - 14	720 ± 25	60 ± 2
-10	7/8 - 14	1260 ± 50	105 ± 5
-12	1 1/16 - 12	1680 ± 75	140 ± 6
-16	1 5/16 - 12	2520 ± 100	210 ± 8
-20	1 5/8 - 12	3100 ± 150	260 ± 12
-24	1 7/8 - 12	3800 ± 150	315 ± 12

Figures 4, 5, 6 and 7



NOTE - ft-lb may be converted to Newton Meters by multiplying by 1.35582.
NOTE - in-lbs may be converted to Newton Meters by multiplying by 0.11298.

angle or angle assembly - portion of the sweeper that allows the brush head assembly to angle.

BP - black pipe.

brush head assembly - assembly that includes the core, hood, and brush frame.

brush pattern - area of dirt removed from sweeping surface; with a properly adjusted sweeper; the pattern is the same width for the entire length.

castellated - having battlements like a castle.

caution - indicates a potentially hazardous situation which, if not avoided, may result in minor or moderate injury.

core - weldment that holds brush sections.

danger - indicates an imminently hazardous situation which, if not avoided, will result in death or serious injury.

F - female.

FS - face seal.

front - side that is in front when facing the normal forward direction of travel of the machine.

gpm - gallons per minute.

HP - high pressure.

hood - brush shield.

hydraulic angle kit - means of swinging an assembly hydraulically.

important - used for instructions when machine damage may be involved.

in. - inches.

kph - kilometers per hour.

lb - pounds.

left-hand - side that is on the left when facing the normal forward direction of travel of the machine.

lift cylinder - means of raising the brush head assembly hydraulically.

lps - liters per second.

M - male.

mm - millimeters.

mph - miles per hour.

manual angle kit - means of swinging the brush head assembly mechanically.

mid pump unit - sweeper in which the pump is mounted on the mid PTO.

mounting assembly - portion of the sweeper that attaches to the prime mover; designed specifically for each prime mover.

NPT - national pipe thread.

note - indicates supplementary information.

OR - o-ring.

psi - pounds per square inch.

PTO - power take off; shaft on the prime mover used to drive attachments.

plate swing - swing assembly that includes a half-moon plate.

power pack - auxiliary hydraulic package used when prime mover hydraulics do not have enough flow available.

prime mover - refers to the tractor, truck, loader or other vehicle to which a sweeper is attached.

qty - quantity.

quick change core - core designed in a way that allows brush sections to be changed without removing hoses from motors.

rpm - revolutions per minute.

rear - side that is in rear when facing the normal forward direction of travel of the machine.

rear pump unit - sweeper in which the pump is mounted on a rear PTO.

retainer - removable plate or set of plates that keeps sections on the core.

right-handed - side that is on the right when facing the normal forward direction of travel of the machine.

section - single brush wafer.

section set - replacement brush wafers.

sprinkler system - system that sprays water ahead of the sweeper used to reduce dust.

sprinkler tank - assembly that includes the water reservoir and mounting used in a sprinkler system.

stands - devices designed to keep the components off the ground when the sweeper is dismounted.

APPENDIX
GLOSSARY

swing or swing assembly - portion of the sweeper that allows the brush head assembly to angle.

swing cylinder - means of angling the brush head assembly hydraulically.

tank assembly, hydraulic - assembly that includes the hydraulic reservoir, filter and fittings; may also incorporate valves.

warning - indicates a potentially hazardous situation which, if not avoided, could result in death or serious injury.

weld - weldment.

windrow - pile of debris.

zerk - grease fitting.

SWEEPSTER WARRANTY REGISTRATION

Thank you for purchasing a Sweepster product. Warranty protection on this equipment is valid only when completed and signed by customer and dealer and mailed to SWEEPSTER. If you have any questions, please give us a call at 1-800-456-7100 or (734) 996-9116.

PLEASE PRINT - PRESS HARD MULTIPLE COPIES

Purchaser's Name _____

Address _____ City _____

State _____ Zip _____ Phone _____

Model Number _____ Serial Number _____

Engine Make _____ Engine Model _____

Date Delivered to Dealer _____ Date Delivered to Customer _____

Dealer's Name _____

Address _____ City _____

State _____ Zip _____ Phone _____

White-Customer Yellow-Dealer Card-Return to Sweepster postage paid

Form: SWR Rev 4/97

1. MATERIAL YOU ARE SWEEPING?
 Snow Dirt General Debris Thatch
 Other _____
2. MAKE AND MODEL NUMBER OF PRIME MOVER.
 (For attachment sweepers only.) _____
3. DID YOU OR YOUR CUSTOMER RECEIVE AN OPERATION/PARTS MANUAL? Yes No
4. DID THE UNIT FIT CORRECTLY TO PRIME MOVER?
 Yes No Comments _____
5. WHY DID YOU PURCHASE A SWEEPSTER? (check one)
 Quality Price Reputation Simplicity Prior Use
 Dealer Referral Operation Features Availability
 Other _____
6. PLEASE RATE THE FOLLOWING (check one)
 Appearance: Excellent Good Poor
 Delivery Time: Excellent Good Poor
 Sales Service: Excellent Good Poor
 Performance: Excellent Good Poor
 Technical Support: Excellent Good Poor
7. SUGGESTIONS/COMMENTS?



SWEEPSTER ATTACHMENTS LLC

Limited 12 Month Warranty

Thank you for purchasing a Sweepster Attachments, LLC. product. Warranty protection is valid only when this Warranty Registration is completed and signed by the customer and dealer, and mailed to Sweepster Attachments, LLC. I hereby acknowledge that I have received a copy of the owners Limited Warranty and I accept the terms therein.

For a period of 12 months from the date of delivery of product to the original user, Sweepster Attachments, LLC. warrants each product to be free from manufacturing defects, subject to the limitations contained in this policy.

This warranty does not apply to defect caused, in whole or in part, by unreasonable use while in the possession of the user, including, but not limited to: failure to properly set up product; failure to provide reasonable and necessary maintenance; normal wear; routine tune ups or adjustments; improper handling or accidents; operation at speed or load conditions contrary to published specification; improper or insufficient lubrication; improper storage. This warranty is also not a guarantee that performance of each product will meet the expectations of the purchaser.

Sweepster Attachments, LLC. shall not be liable for consequential damages of any kind, including, but not limited to: consequential labor costs or transportation charges in connection with the replacement or repair of defective parts; lost time or expense which may have accrued because of said defects. In no event shall Sweepster Attachments, LLC.'s total liability hereunder exceed the product purchase price.

Sweepster Attachments, LLC. makes no warranty with respect to trade accessories or any component or accessory of the product which was not manufactured by Sweepster Attachments, LLC. including any purchased components of any kind. These are subject to the warranties of their respective manufacturers. The warranty will be considered void if the product or any part of the product is modified or repaired in any way not expressly authorized by Sweepster Attachments, LLC. or if closed components are disassembled prior to return. Closed components include, but are not limited to: gearboxes, hydraulic pumps, motors, cylinders, and actuators.

Our obligation under the warranty is expressly limited, at our option, to the replacement or repair at Sweepster Attachments, LLC or at a service facility designated by us, or such part or parts as inspection shall disclose to have been defective. We are not responsible for unauthorized repairs or replacements. Any implied or statutory warranties, including any warranty of merchantability or fitness for a particular purpose, are expressly limited to the duration of this written warranty. We make no other express or implied warranty, nor is anyone authorized to make any on our behalf. This warranty cannot be extended, broadened, or changed except in writing by an authorized officer of Sweepster Attachments, LLC.