

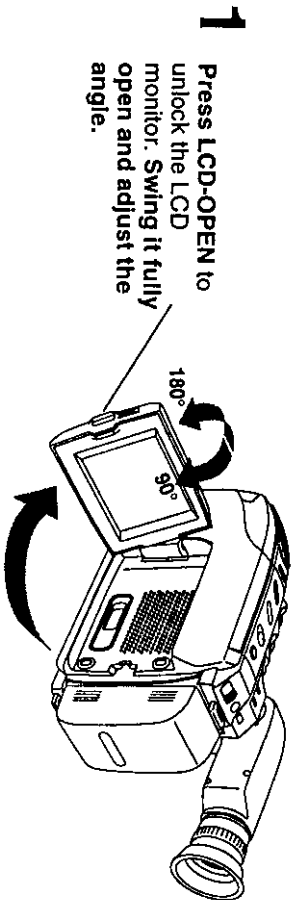
Spanish Quick Use Guide/Guía Para Uso Rápido

Before you begin...

- Connect Camcorder to power source (Battery Pack or AC Adaptor).
- Insert cassette with record tab.

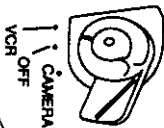
Playback using the LCD Monitor

When the LCD monitor is fully open, the Viewfinder automatically turns OFF.

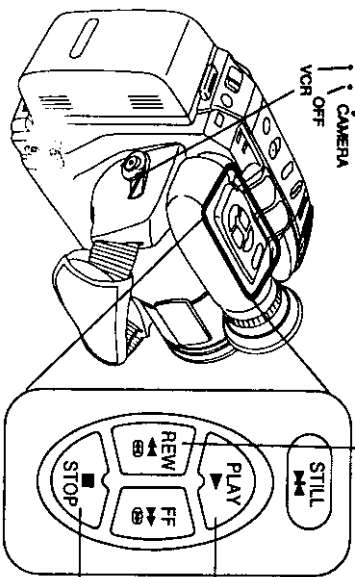


1 Press LCD-OPEN to unlock the LCD monitor. Swing it fully open and adjust the angle.

2 Set POWER to VCR.



3 Press REWIND/SEARCH to rewind tape.



4 Press PLAY to start playback.

5 Press STOP to stop playback.

Reproduccion con efectos especiales

- Para localizar rapidamente una escena especifica
- Oprimir el botón de localización (SEARCH).
- Para congelar una Imagen
- Oprimir el botón de pausa/imagen fija (PAUSE/STILL).
 - Oprimir nuevamente el botón cuando se desea continuar reproduciendo.

Panasonic Consumer Electronics Company, Division of Matsushita Electric Corporation of America
One Panasonic Way Secaucus, New Jersey 07094

Panasonic Sales Company, Division of Matsushita Electric of Puerto Rico, Inc. ("PSC")
Ave. 65 de Infantería, Km. 9.5 San Gabriel Industrial Park, Carolina, Puerto Rico 00985



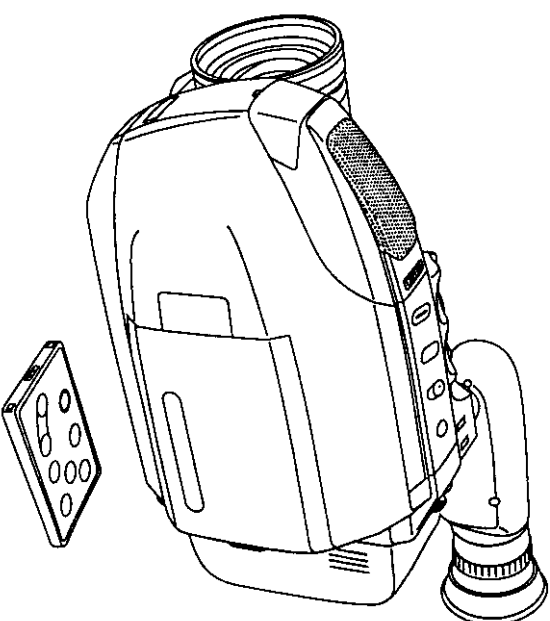
Panasonic®

Palmcorder® PalmSight™

Camcorder

Operating Instructions

EXHIBIT # 6
FIG. NO. _____
FCC ID: A5T5L10039
MODEL NO. PV-5559D
OUR REF.: M559E-1019



PV-L559

For assistance, call 1-800-211-PANA(7262).
Please read these instructions carefully before attempting to operate this product.
Please save this manual.
Guía para rápida consulta en español está incluida.

Things You Should Know

Thank you for choosing Panasonic!

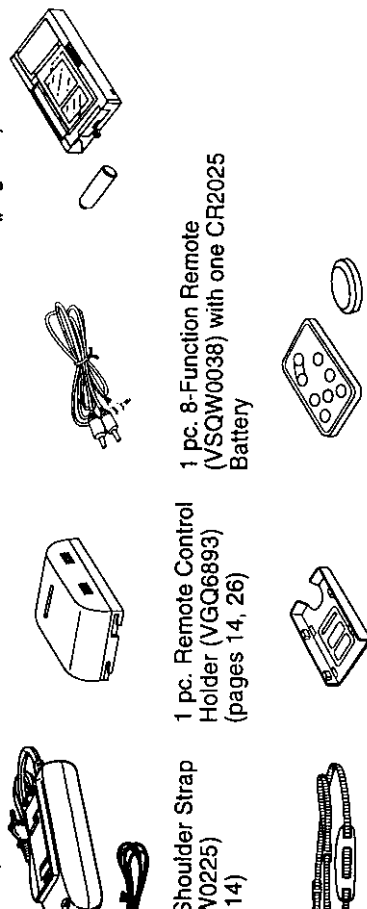
We have purchased one of the most sophisticated and reliable products on the market. Used properly, it will bring you years of enjoyment. Please take time to fill in the information below. The serial number is on the tag located on the underside of your camcorder. Be sure to retain this manual as your convenient Camcorder information.

Date of Purchase _____
 Dealer Purchased From _____
 Dealer Address _____
 Dealer Phone No. _____
 Model No. _____
 Serial No. _____

Camcorder Accessories

The following accessories are provided in order to set up or use your Camcorder.

- 1 pc. AC Adaptor (A17)
- 1 pc. Battery Pack (PV-BP18)
- 1 pc. Audio/Video Cable (VJAW0039)
- 1 pc. VHS PlayPak (PV-P1/VYMW0009) and one "AA" battery (page 30)



Remote has been loaded with battery. (page 50)

CR2025 Clock Battery (V0004) included in Camcorder (page 50)

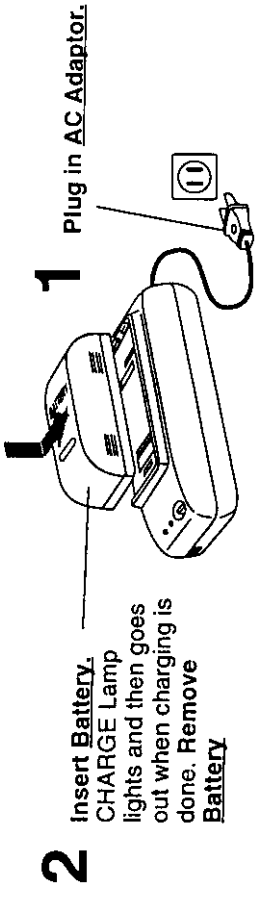
Spanish Quick Use Guide/Guía Para Uso Rápido

Before you begin...

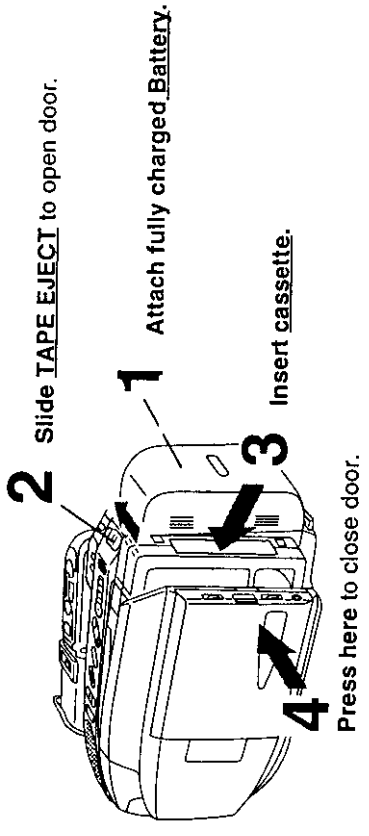
- Insert cassette with record tab.

Charge the Battery Pack

Charge Battery Pack fully before operation.

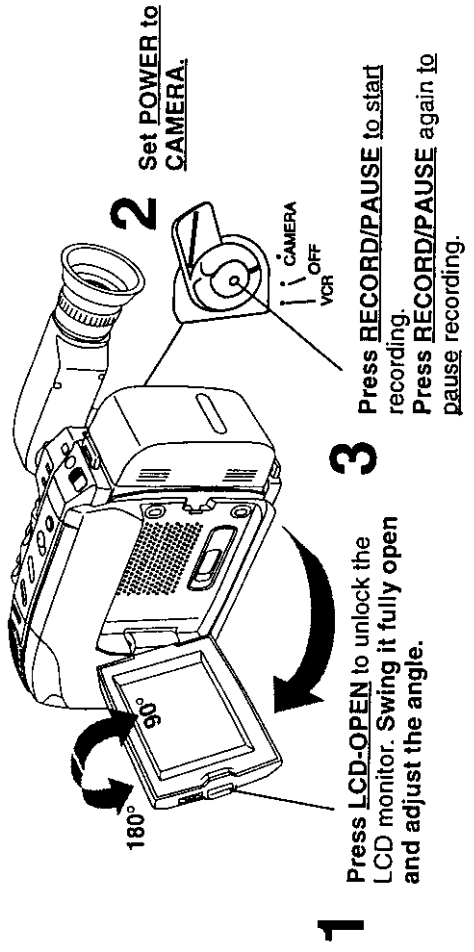


Insert Cassete



Camera Recording

When the LCD monitor is fully open, the Viewfinder automatically turns OFF.



For Your Information

For assistance, call 1-800-211-PANA(7262).

Warranty

For Product Information, Operating Assistance, Literature Request, Dealer Locations, and all Customer Service Inquiries please contact:

1-800-211-PANA(7262), Monday-Friday 9am-9pm Saturday-Sunday 9am-7am, EST.

Web Site: <http://www.panasonic.com>

You can purchase parts, accessories or locate your nearest servicenter by visiting our Web Site.

Accessory Purchases:

1-800-332-5368 (Customer Orders Only)
 Panasonic Services Company 20421 84th Avenue South, Kent, WA 98032
 (6 am to 5 pm Monday - Friday; 6 am to 10:30 am Saturday; PST)
 (Visa, MasterCard, Discover Card, American Express, Check)

Product Repairs

Centralized Factory Servicenter

MAIL TO :
 Panasonic Services Company
 1705 N. Randall Road,
 Elgin, IL 60123-7847

Attention: Camcorder Repair

Please carefully pack and ship, prepaid and insured, to the Elgin centralized repair Factory Servicenter. While there will be added handling delays, you may bring your unit to one of the following locations who will then forward the unit to Elgin for repair.
 Customer's in Puerto Rico, please ship or carry in to location below ("Service in Puerto Rico").

Factory Servicenters Locations

CALIFORNIA 6550 Katella Avenue Cypress, CA 90630 800 Dubuque Avenue S. San Francisco CA 94080	GEORGIA 8655 Roswell Road Suite 100 Atlanta, GA 30350	MICHIGAN 37048 Van Dyke Avenue Sterling Heights, MI 48312	TENNESSEE 3800 Ezell Road Suite 806 Nashville, TN 37211
20201 Sherman Way Suite 102 Caroga Park, CA 91306 3878 Ruffin Road Suite A San Diego, CA 92123	ILLINOIS 9060 Golf Road Niles, IL 60774 1703 North Randall Road Elgin, IL 60123 (Pick-up/drop-off only)	MINNESOTA 7850-12th Avenue South Airport Business Center Bloomington, MN 55425	TEXAS 7482 Hamrin Drive Houston, TX 77036 13615 Welch Road Suite 101 Farmers Branch, TX 75244
COLORADO 1640 South Ablene Street, Suite D Aurora, CO 80012	MARYLAND 62 Mountain Road Glen Burnie, MD 21061	OHIO 2236 Waycross Road Civic Center Plaza ForestPark, OH 45240	WASHINGTON 20425-94th Avenue South Kent, WA 98032
FLORIDA 3700 North 29th Avenue Suite 102 Hollywood, FL 33020	MASSACHUSETTS 60 Glacier Drive Suite G Westwood, MA 02090	PENNSYLVANIA 2221 Cabot Blvd. West Suite B Langhorne, PA 19047 Charters Valley Shopping Center 1025 Washington Pike Bridgeville, PA 15017	HAWAII 99-859 Iwaiwa Street Aiea, Hawaii 96701 Phone (808) 488-1996 Fax (808) 486-4369

Service in Puerto Rico

Matsushita Electric of Puerto Rico, Inc. Panasonic Sales Company/ Factory Servicenter:
 Ave. 65 de Infantaria, Km. 9.5 San Gabriel Industrial Park, Carolina, Puerto Rico 00985
 Phone (787) 750-4300 Fax (787) 768-2910

For assistance, call 1-800-211-PANA(7262).

Things You Should Know

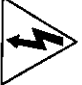
Safety Precautions

WARNING: TO PREVENT FIRE OR SHOCK HAZARD, DO NOT EXPOSE THIS EQUIPMENT TO RAIN OR MOISTURE.


Your Compact VHS Camcorder is designed to record and play back in Standard Play (SP) and Super Long Play (SLP) modes. You can also play a Compact VHS Camcorder recording on your VHS VCR using the VHS PlayPak supplied.

This Camcorder is equipped with the HQ System to provide excellent video pictures, and is compatible with standard VHS equipment.


It is recommended that only cassette tapes that have been tested and inspected for use in VCR machines with the **VHS** and/or **VHS** mark be used.




CAUTION
RISK OF ELECTRIC SHOCK
DO NOT OPEN



CAUTION: TO REDUCE THE RISK OF ELECTRIC SHOCK,
DO NOT REMOVE COVER (OR BACK)
NO USER-SERVICEABLE PARTS INSIDE
REFER SERVICING TO QUALIFIED SERVICE PERSONNEL



This symbol warns the user that uninsulated voltage within the unit may have sufficient magnitude to cause electric shock. Therefore, it is dangerous to make any kind of contact with any inside part of this unit.



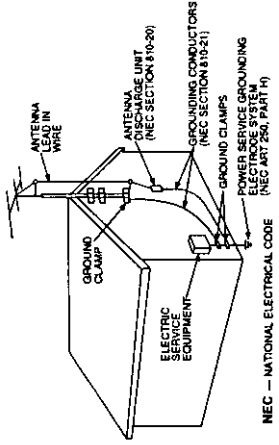
This symbol alerts the user that important literature concerning the operation and maintenance of this unit has been included. Therefore, it should be read carefully in order to avoid any problems.

The above markings are located on the appliance bottom cover.

FCC Warning: Any unauthorized changes or modifications to this equipment would void the user's authority to operate.

This device complies with Part 15 of the FCC Rules. Operation is subject to the following two conditions: (1) This device may not cause harmful interference, and (2) this device must accept any interference received, including interference that may cause undesired operation.
Note: This equipment has been tested and found to comply with Part 15 and part 18 of the FCC Rules. These limits are designed to provide reasonable protection against harmful interference when operated in a residential environment.
 If this equipment does cause interference to radio or television reception, which can be determined by turning the equipment off and on, use the equipment in another location and/or utilize an electrical outlet different from that used by the receiver.
 If necessary, consult the dealer or an experienced radio/TV technician for help. You may find the booklet, "Something About Interference" available from FCC local regional offices helpful.

- Grounding or Polarization — This video unit may be equipped with either a polarized 2-wire AC (Alternating Current) line plug (a plug having one blade wider than the other) or 3-wire grounding type plug, a plug having a third (grounding) pin. The 2-wire polarized plug will fit into the power outlet only one way. This is a safety feature. If you are unable to insert the plug fully into the outlet, try reversing the plug. If the plug still fails to fit, contact your electrician to replace your obsolete outlet. Do not defeat the safety purpose of the polarized plug. The 3-wire grounding type plug will fit into a grounding type power outlet. This is a safety feature. If you are unable to insert the plug into the outlet, contact your electrician to replace your obsolete outlet. Do not defeat the safety purpose of the grounding type plug.
- Power-Cord Protection — Power-supply cords should be routed so that they are not likely to be walked on or pinched by items placed upon or against them. Paying particular attention to cords of plugs, convenience receptacles, and the point where they exit from the unit.
- Outdoor Antenna Grounding — If an outside antenna or cable system is connected to the video unit, be sure the antenna or cable system is grounded so as to provide some protection against voltage surges and built-up static charges. Part 1 of the Canadian Electrical Code, in USA Section 810 of the National Electrical Code, provides information with respect to proper grounding of the mast and supporting structure, grounding of the lead-in wire to an antenna discharge unit, size of grounding conductors, location of antenna discharge unit, connection to grounding electrodes, and requirements for the grounding electrode.



- Lightning — For added protection of this video unit receiver during a lightning storm, or when it is left unattended and unused for long periods of time, unplug it from the wall outlet and disconnect the antenna or cable system. This will prevent damage to the video unit due to lightning and power-line surges.

Instructions — All the safety and operating instructions should be read before the unit is used.

Warnings — The safety and operating instructions should be retained for future reference.

Warnings — All warnings on the unit and in operating instructions should be adhered to.

Instructions — All operating and maintenance instructions should be followed.

Unplug this video unit from the wall outlet before cleaning. Do not use liquid or aerosol cleaners. Use a dry cloth for cleaning.

Do not use attachments not recommended by the video product manufacturer as they may be hazardous.

Do not use this video unit near water — for example near a bath tub, wash kitchen sink, or laundry tub, in a wet area, or near a swimming pool, and the like.

Do not place this video unit on an unstable cart, stand, tripod, bracket, or table. The unit may fall, causing serious injury to a child or adult, and serious damage to the unit. Use only carts, stands, tripods, brackets, or tables recommended by the manufacturer, or sold with the unit. Any mounting of the unit should follow the manufacturer's instructions and should use a mounting accessory recommended by the manufacturer. An appliance and combination should be moved with care. Quick stops, excessive force, and uneven surfaces may damage the appliance and cart or cause the cart to overturn.

Slots and openings in the cabinet are provided for ventilation and to ensure reliable operation of the video unit and to protect it from overheating. These openings must not be blocked or covered. Never place the video unit on a bed, rug, or other similar surface, or near or over a heater or heat register. This video unit should not be placed in a built-in installation such as a cabinet or rack unless proper ventilation is provided and the manufacturer's instructions have been read.

Power Sources — This video unit should be operated only from the type of power source indicated on the marking label. If you are not sure of the type of power supply to your home, consult your local power company. For units intended to be operated from battery power, or other sources, refer to the operating instructions.



Panasonic Consumer Electronics Company, Division of Matsushita Electric of America
 One Panasonic Way Secaucus, New Jersey 07094

Panasonic Sales Company, Division of Matsushita Electric of Puerto Rico, Inc.
 Ave. 65 de Infilantera, Km. 9.5 San Gabriel Industrial Park, Carolina, Puerto Rico 00985

PANASONIC/QUASAR Video Products Limited Warranty

Panasonic Consumer Electronics Company or Panasonic Sales Company (collectively referred to as "the Warrantor") will repair this product with new or refurbished parts, free of charge, in the USA or Puerto Rico, in the event of a defect in materials or workmanship as follows (all time periods commence from the date of the original purchase):

PRODUCT	PARTS	LABOR
CAMCORDER	ONE (1) YEAR, EXCEPT CCD IMAGE SENSOR	NINETY (90) DAYS
VCR	CCD IMAGE SENSOR - SIX (6) MONTHS	NINETY (90) DAYS
AV MIXER	ONE (1) YEAR	NINETY (90) DAYS
MONITOR-VCR	ONE (1) YEAR, EXCEPT CRT	NINETY (90) DAYS
	CRT - TWO (2) YEARS	CRT - NINETY (90) DAYS
		CUSTOMER PAYS ALL LABOR CHARGES AFTER 90 DAYS

Monitor-VCR In-home or carry-in Service: 22" (diagonal) CRT / LCD and Larger
Monitor-VCR Carry-in Service: 21" (diagonal) CRT / LCD and smaller

Batteries (if included) - New rechargeable batteries in exchange for defective rechargeable batteries for ten (10) days. Non-rechargeable batteries are not warranted.

Tape (if included) - New video cassette tape in exchange for a defective video cassette tape for five (5) days.

In-home, carry-in or mail-in service, as applicable, in the USA can be obtained during the warranty period by contacting a Panasonic Services Company (PASC) Factory Servicenter listed in the Service Directory. Or call toll free 1-800-211-PANA(7262), to locate an authorized PASC Servicenter. Carry-in or mail-in service in Puerto Rico can be obtained during the warranty period by calling the Panasonic Sales Company telephone number listed in the Servicenter Directory. This warranty is extended only to the original purchaser. A purchase receipt or other proof of the date of the original purchase is required before warranty service is rendered.

This warranty only covers failures due to defects in materials and workmanship which occur during normal use and does not cover normal maintenance, including, but not limited to, video and audio head cleaning. The warranty does not cover damage which occurs in shipment, or failures which are caused by products not supplied by the warrantor, or failures which result from accident, misuse, abuse, neglect, mishandling, misapplication, alteration, modification, faulty installation, set-up adjustments, improper antenna, inadequate signal pickup, maladjustment of consumer controls, improper operation, power line surge, improper voltage supply, lightning damage, commercial use such as hotel, office, restaurant, or other business or rental use of the product, or service by anyone other than a PASC Factory Servicenter or a PASC authorized Servicenter, or damage that is attributable to acts of God.

LIMITS AND EXCLUSIONS

There are no express warranties except as listed above. THE WARRANTOR SHALL NOT BE LIABLE FOR INCIDENTAL OR CONSEQUENTIAL DAMAGES (INCLUDING, WITHOUT LIMITATION, DAMAGE TO TAPES) RESULTING FROM THE USE OF THIS PRODUCT, OR ARISING OUT OF ANY BREACH OF THE WARRANTY. ALL EXPRESS AND IMPLIED WARRANTIES, INCLUDING THE WARRANTIES OF MERCHANTABILITY AND FITNESS FOR PARTICULAR PURPOSE, ARE LIMITED TO THE APPLICABLE WARRANTY PERIOD SET FORTH ABOVE. Some states do not allow the exclusion or limitation of incidental or consequential damages, or limitations on how long an implied warranty lasts, so the above exclusions or limitations may not apply to you.

This warranty gives you specific legal rights and you may also have other rights which vary from state to state.

If a problem with this product develops during or after the warranty period, you may contact your dealer or Servicenter. If the problem is not handled to your satisfaction, then write to the Customer Satisfaction Center at the Panasonic Consumer Electronics Company address above. SERVICE CALLS WHICH DO NOT INVOLVE DEFECTIVE MATERIALS OR WORKMANSHIP AS DETERMINED BY THE WARRANTOR, IN ITS SOLE DISCRETION, ARE NOT COVERED. COSTS OF SUCH SERVICE CALLS ARE THE RESPONSIBILITY OF THE PURCHASER.

warvid 10/20/97

A	AC Adaptor	12	P	PHONE (earphone) jack	22, 27, 49
	Accessories (Optional)-	51		Playback	27, 28, 29, 30
	Accessories (Supplied)	2		PlayPak	30
	Audio/Video Cable	29, 31		Power Lamp	47
	Auto Daylight Saving Time	18		Power Supply	10, 11, 12
B	Backlight	32		Programmed Recording	25
	Battery Pack	8, 10, 11, 59	R	Remote Control	26
C	Camcorder Controls	55		Remote Holder	14, 26
	Camera Recording	21, 22, 23, 24, 25		Replacing Battery	50
	Car Battery Cord	12		Request for Service Notice	55
	Charging Battery	10		RF Adaptor	29
	Clock Battery	50	S	Safety Precautions	3
	Clock Set	17, 18, 19		Security Mode	39
	Connector	29, 31		Self Demo Mode	7
	Audio/Video Out	12		Shoulder Strap	14
	DC IN	31		Speaker	27
D	Copying your Tapes	31		Specifications	53
	DC Power Cable	12		Still Picture	28
	Digital E.I.S.	38	T	Tab	13
	DISPLAY	19		Tally Lamp	41
	Display-off Mode	46		Time Lapse	40
E	Electronic Viewfinder	49		Titler	43, 44, 45
F	Focus	35, 36	V	Tracking Control	28
	Focus	33		VHF Connecting Cable	29, 31
	Hand Strap	14		Video Cassettes (tapes)	13
	High Speed Shutter	34		Video Head Cleaning	53
H	Indications	46, 47, 48		Viewfinder/LCD Monitor	29
I	Viewing	29	W	Warranty	57, 58
L	Lens Cover	21	Z	Zoom	32, 37
M	Message Mode	42			

Important Safeguards

15. Power Lines — An outside antenna system should not be located in the vicinity of overhead power lines or other electric light or power circuits, or where it can fall into such power lines or circuits. When installing an outside antenna system, extreme care should be taken to keep from touching such power lines or circuits as contact with them might be fatal.
16. Overloading — Do not overload wall outlets and extension cords as this can result in a risk of fire or electric shock.
17. Objects and Liquids — Never push objects of any kind into this video unit through openings as they may touch dangerous voltage points or short out parts that could result in a fire or electric shock. Never spill liquid of any kind onto the video unit.
18. Servicing — Do not attempt to service this video unit yourself as opening or removing covers may expose you to dangerous voltage or other hazards. Refer all servicing to qualified service personnel.
19. Damage Requiring Service — Unplug this video unit from the wall outlet and refer servicing to qualified service personnel under the following conditions:
 - a. When the power-supply cord or plug is damaged.
- b. If any liquid has been spilled onto, or objects have fallen into the video unit.
- c. If the video unit has been exposed to rain or water.
- d. If the video unit does not operate normally by following the operating instructions. Adjust only those controls that are covered by the operating instructions, as an improper adjustment of other controls may result in damage and will often require extensive work by a qualified technician to restore the video unit to its normal operation.
- e. If the video unit has been dropped or the cabinet has been damaged.
- f. When the video unit exhibits a distinct change in performance — this indicates a need for service.
20. Replacement Parts — When replacement parts are required, be sure the service technician has used replacement parts specified by the manufacturer or have the same characteristics as the original part. Unauthorized substitutions may result in fire, electric shock or other hazards.
21. Safety Check — Upon completion of any service or repairs to this video unit, ask the service technician to perform safety checks to determine that the video unit is in safe operating order.

Precautions

USE & LOCATION

- **TO AVOID SHOCK HAZARD ...** Your Camcorder and power supply should not be exposed to rain or moisture. Do not connect the power supply or operate your Camcorder if it gets wet. Your Camcorder has been designed for outdoor use, however it is not designed to sustain direct exposure to water, rain, sleet, snow, sand, dust, or a direct splashing from a pool or even a cup of coffee. This action could permanently damage the internal parts of your Camcorder. Do not attempt to disassemble this unit. There are no user-serviceable parts inside. Unplug your Camcorder from the power supply before cleaning.
- **DO NOT AIM YOUR CAMCORDER AT THE SUN OR OTHER BRIGHT OBJECTS.**
- **DO NOT LEAVE THE CAMCORDER WITH THE EYE AIMED DIRECTLY AT THE SUN AS THIS MAY CAUSE DAMAGE TO THE INTERNAL PARTS OF THE EYE.**
- **DO NOT EXPOSE YOUR CAMCORDER TO EXTENDED HIGH TEMPERATURE ...** Such as, in direct sunlight inside a closed car, next to a heater, etc. ... This action could permanently damage the internal parts of your Camcorder.
- **AVOID SUDDEN CHANGES IN TEMPERATURE ...** If the unit is suddenly moved from a cold place to a warm place, moisture may form on the tape and inside the unit.
- **DO NOT LEAVE YOUR CAMCORDER OR THE POWER SUPPLY TURNED ON WHEN NOT IN USE.**
- **STORAGE OF YOUR CAMCORDER ...** Store and handle your Camcorder in a manner that will not subject it to unnecessary movement (avoid shaking and striking). Your Camcorder contains a sensitive pick-up device which could be damaged by improper handling or storage.

CARE

- **TO CLEAN YOUR CAMCORDER ...** Do not use strong or abrasive detergents when cleaning your Camcorder body.
- **TO PROTECT THE LENS ...** Do not touch the surface of the lens with your hand. Use a commercial camcorder lens solution and lens paper when cleaning the lens. Improper cleaning can scratch the lens coating.
- **TO PROTECT THE FINISH OF YOUR CAMCORDER ...** Before handling your Camcorder, make sure your hands and face are free from any chemical products, such as suntan lotion, as it may damage the finish.

Table of Contents

Getting Started

- As You Should Know 2
- Important Safeguards 4
- Precautions 5
- Remote Mode 7
- Operation Guide 8
- Turning Power Off 10
- Setting Information 13
- Shoulder Strap/Remote Holder 14
- Using J Mode 15
- Using the Clock 17
- Using Auto Light 20

Basic Operation

- Camera Recording 21
- Function Remote Control 26
- Using Back Recordings 27
- Using your Tapes (dubbing) 31

Special Features

- Speed Power Zoom 32
- Light 32
- Speed Shutter 33
- Fade (Black or White only) 34
- Digital Fade 35
- Digital Zoom 36
- Electronic Image Stabilization (E.I.S.) 37
- Priority Mode 38
- Lapse 39
- Lamp 40
- Message Mode 41
- Intelligent Titler 42
- Intelligent Titler 43

For Your Information

- Finder/LCD Monitor Indications 46
- Operation Notes 49
- Replacing Clock/Remote Battery 50
- Recorder Accessory System 51
- Recorder Accessory Order Form 52
- Specifications 53
- Where Requesting Service 53
- Request for Service Notice 55
- Index of Controls 56
- Warranty 57
- Spanish Quick Use Guide/Guía Para Uso Rápido 59

Request for Service Notice

Please photocopy this form when making a request for service notice.

Request for Service Notice:

- In the unlikely event this product needs service.
- Please include your **proof of purchase**. (Failure to do so will delay your repair.)
 - To further speed your repair please provide an explanation of what is wrong with the unit and any symptom it is exhibiting.

Mail this completed form and your Proof of Purchase along with your unit to:

Panasonic Services Company
 1705 N. Randall Road
 Elgin, IL 60123-7847
 Attn: Camcorder Repair

Index of Controls

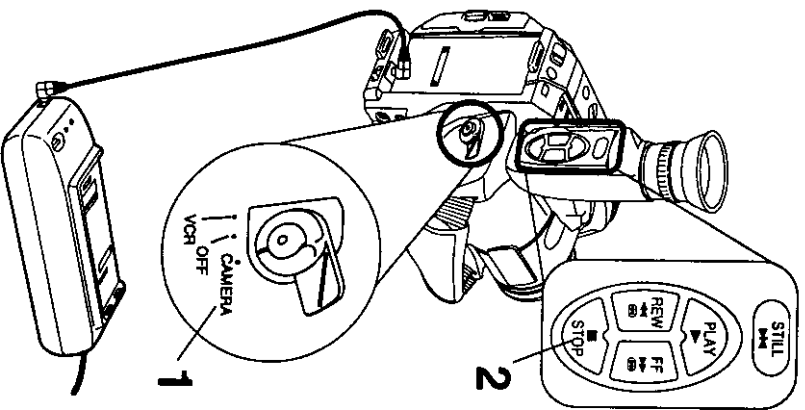
CAMERA Mode	VCR Mode
BACKLIGHT Button	32 BRIGHT Control
BATTERY RELEASE Button	10 DISPLAY Button
BRIGHT Control	22 FAST FORWARD/SEARCH Button
DIGITAL ZOOM Button	37 LCD-OPEN Button
DISPLAY Button	9, 27 PLAY Button
15, 17, 18, 19, 23, 25, 35, 36, 39, 40, 42, 43, 45	9, 27 POWER Switch
EIS Button	38 REWIND/SEARCH Button
FADE Button	35, 36 STILL Button
HIGH SPEED SHUTTER Button	34 STOP Button
LCD-OPEN Button	8, 22, 27 UP ▲ / DOWN ▼ Button
LIGHT Switch	20 VOLUME Control
MANUAL FOCUS Wheel	33
MENU Button	15, 17, 18, 19, 23, 25, 35, 36, 39, 40, 42, 43, 45
POWER Switch	7, 8, 21
POWER ZOOM Switch	32, 33
RECORD/PAUSE Button	8, 21, 39
STOP Button	7
TAPE EJECT Switch	8, 13, 21
TAPE SPEED Selector	13, 21
TITLE Button	43, 44, 45
UP ▲ / DOWN ▼ Button	15
Vision Adjustment Control	21

Before Requesting Service

If a problem arises, you may be able to correct it yourself. See Symptom and Correction list below.

Symptom	Correction
No picture in EVF ...	<ul style="list-style-type: none"> • Connect Power Source. (pp. 10, 12) • Set POWER to VCR or CAMERA. (pp. 21, 27) • Check for Dew Indication. (p. 48) • Use fully charged Battery. (p. 10) • Firmly connect all needed cables. (p. 29)
Video cassette cannot be inserted ...	<ul style="list-style-type: none"> • Connect Power Source. (pp. 10, 12) • Insert cassette, window side facing out. (p. 13)
Video cassette cannot be removed ...	<ul style="list-style-type: none"> • Connect Power Source. (pp. 10, 12) • Check for Dew Indication. (p. 48)
Operation buttons do not work ...	<ul style="list-style-type: none"> • Make sure record tab is intact. (p. 13) • Check Battery Indicator. (p. 46) • Check for Dew Indication. (p. 48)
Recording cannot be done ...	<ul style="list-style-type: none"> • Set FOCUS to AUTO. (p. 33) • Set POWER to CAMERA. (p. 21)
Auto Focus does not operate ...	<ul style="list-style-type: none"> • Make sure cassette is loaded. • Set MESSAGE to ON in Menu mode. (p. 42)
The Message mode cannot be used ...	<ul style="list-style-type: none"> • Set unit to REC or Record/Pause mode.
Sound from microphone can't be monitored ...	<ul style="list-style-type: none"> • Turn HIGH SPEED SHUTTER off. (p. 34)
Camera picture is too dark ...	<ul style="list-style-type: none"> • Press UP ▲/DOWN ▼ button during playback (Tracking Control). (p. 28)
No playback picture, or the playback picture is noisy or contains streaks ...	<ul style="list-style-type: none"> • Set TIME LAPSE to OFF in Menu mode. (p. 40)
Playback picture is fast, and there is no sound ...	<ul style="list-style-type: none"> • Set POWER to CAMERA, then hold down STOP over 5 seconds to exit Demo mode. (p. 7)
"Panasonic ITS VHSI SO ITS TAPES PLAY ..." appears in EVF and LCD Monitor ...	<ul style="list-style-type: none"> • A playback signal is not as stable as an off the air TV signal, so the top of your TV screen may appear bent or unstable during playback. This is called, "Horizontal AFC time constant change." To correct, slowly turn the TV horizontal hold control. If you TV does not have this control, or adjusting it does not help, contact your TV service center. (Some nominal service charges may be required.)
Top of playback picture waves back and forth excessively ...	

Self Demo mode is on when screen at right appears. Do the steps below to turn off.



Self Demo Mod

Before you begin...

- Connect Camcorder to power source.

EVF Screen

Panasonic
SO ITS TAPES PLAY
IN YOUR VCR
YES, ITS VHSI
26x LENS / 150x D ZOOM
DIGITAL STABILIZATION
FULL-SIZE HEAD SYSTEM
AUTO/PHRASE TITLER

1 Set POWER to CAMERA.

2 Hold down STOP over 5 seconds.

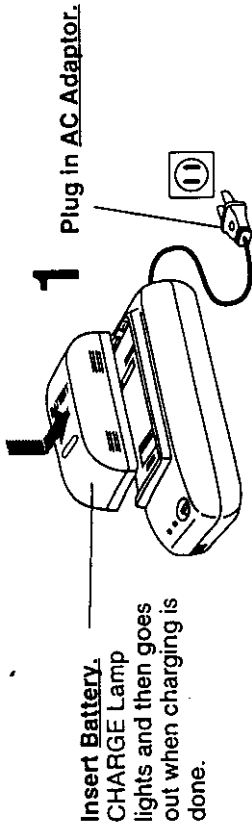
Note:

- Self Demo stops automatically if battery is attached (page 10) and cassette tape is inserted (page 13).
- Inserting a tape alone (or attaching a partially charged battery) only temporarily stops Self Demo.
- Self Demo stops for 30 seconds when a function key other than Power, Tape Speed Selector, and Light is pressed.
- To turn Self Demo back on.
- With DISPLAY held down, slide POWER to CAMERA and wait for Self Demo to begin.

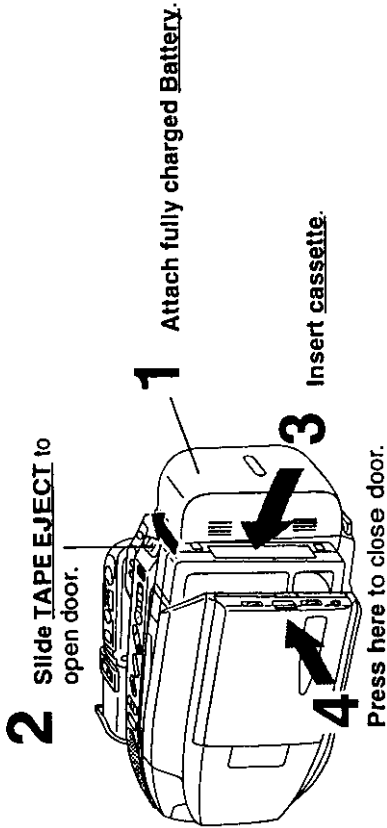
Quick Operation Guide

Charge the Battery Pack

Charge the Battery Pack fully before operation (page 10).

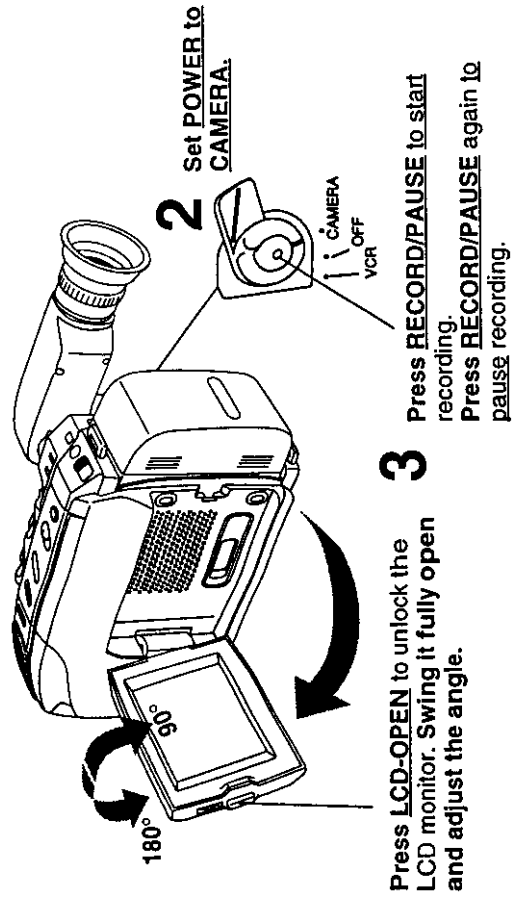


Insert Cassette



Camera Recording

When the LCD monitor is fully open, the Viewfinder automatically turns OFF.



Specifications

- Power Source:** Compact VHS Camcorder: DC 6V
AC Adaptor: 110/120/220/240V AC, 50/60 Hz
Battery: Nickel-Cadmium Type DC 6V
- Power Consumption:** Compact VHS Camcorder: 6V DC 0.0 W (Max. 00.0 W)
AC Adaptor: 24W
1.2W (when not in use.)
- Video Signal:** EIA Standard (525 lines, 60 fields) NTSC color signal
- Video Recording System:** 2 rotary heads plus flying erase head. Helical scanning system
1 track
- Audio:** Sequential color difference field reverse system
- Pick-Up System:** One integral color filter Charge Coupled Device (CCD)
- Pick-Up Device:** 26:1 zoom lens, F1:1.6 with auto iris control
- Lens:** Focal length: 3.8mm - 98.8mm
Power zoom function
Lens filler diameter: 49mm
- Viewfinder:** 0.5 inch (12.7mm) Electronic Viewfinder
- LCD Monitor:** 3.0 inch (76.2mm) Liquid Crystal Display
- Minimum Illumination Required:** 0.8 lx (F1:1.6) 0.08 footcandles
7 lx (F1:1.6) 0.7 footcandles (EIA Standard)
- Earphone Jack:** M3 Type
- Operating Temperature:** 32°F~104°F (0°C~40°C)
- Operating Humidity:** 10%~75%
- Weight:** Compact VHS Camcorder: 0.0 lbs.
0.00 kg
AC Adaptor: 0.77 lbs.
0.35 kg
- Dimensions:** Compact VHS Camcorder:
000 (W) x 000 (H) x 000 (D) inch
000 (W) x 000 (H) x 000 (D) mm
AC Adaptor: 2-3/4 (W) x 1-5/8 (H) x 5-3/4 (D) inch
70 (W) x 41 (H) x 145 (D) mm

Weight and dimensions shown are approximate. Designs and specifications are subject to change without notice.

Video Head Cleaning



Clogged Video Head

While head cleaning is normally not needed, playing old or damaged tapes may clog the heads. When playback picture resembles example left, head cleaning is required.

Ideally, head cleaning should be performed by a qualified service technician. When this is not possible, purchase a head cleaning cassette. Be sure to following cleaning cassette instructions exactly and only use when symptoms occur.

Palmcorder Accessory Order Form

Please photocopy this form when placing an order.

1. Palmcorder Model # _____

2. Items Ordered _____

Accessory #	Description	Price Each	Quantity	Total Price

Your State & Local Sales Tax

Shipping & Handling

Total Enclosed

3. Method of payment (check one)

- Check or Money Order enclosed (NO C.O.D. SHIPMENTS)
- VISA Credit Card # _____
- MasterCard Expiration Date _____
- Discover Customer Signature _____

Make Check or Money Order to: MATSUSHITA ACCESSORIES

(Please do not send cash)

4. Shipping information (UPS delivery requires complete street address)

Ship To:

Mr. _____

Mrs. _____

Ms. _____

First _____ Last _____ Phone #: _____

Street Address _____ Day () _____

City _____ State _____ Zip _____ Night () _____

TO OBTAIN ANY OF OUR OMNIMOVIE/PALMRECORDER ACCESSORIES YOU CAN DO ANY OF THE FOLLOWING:

- VISIT YOUR LOCAL PANASONIC DEALER
- OR
- CALL PANASONIC'S ACCESSORY ORDER LINE AT 1-800-332-5368
- [6 AM-5 PM M-F, 6 AM-10:30 AM SAT, PACIFIC TIME]
- OR
- MAIL THIS ORDER TO: PANASONIC SERVICES COMPANY ACCESSORY ORDER OFFICE
- 20421 84th Avenue South Kent, WA. 98032

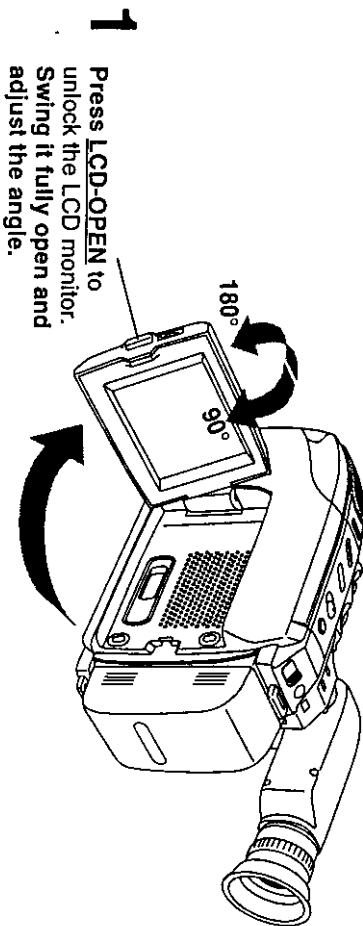
Quick Operation Guide

Playback using the LCD Monitor

When the LCD monitor is fully open, the Viewfinder automatically turns OFF.

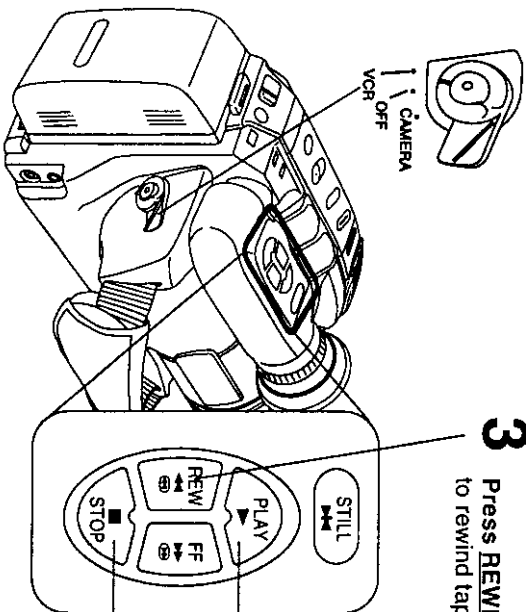
Before you begin...

- Charge Battery Pack fully before operation (page 10).



1 Press **LCD-OPEN** to unlock the LCD monitor. Swing it fully open and adjust the angle.

2 Set **POWER** to **VCR**.



3 Press **REWIND/SEARCH** to rewind tape.

4 Press **PLAY** to start playback.

5 Press **STOP** to stop playback.

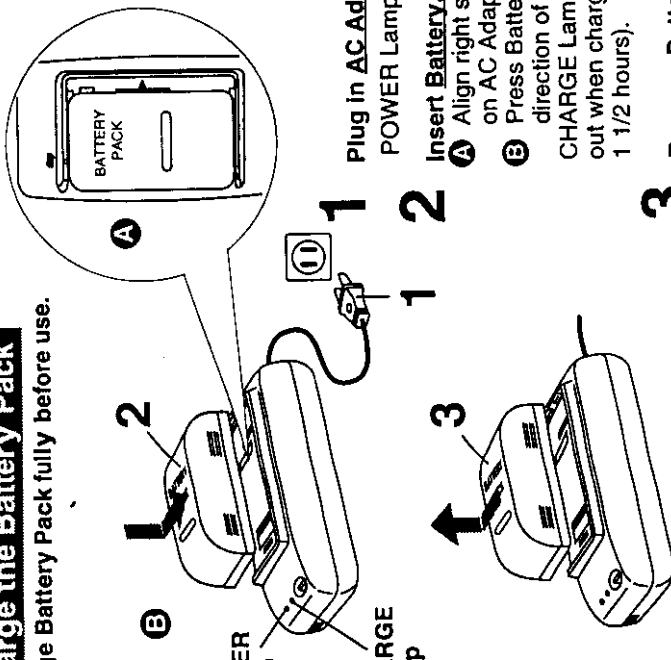
For ordering instructions, see the Accessory Order Form page.

Accessory #	Figure	Description	Price
PV-A17		AC Adaptor with DC Power Cable	\$130.00
HHR-V214		6.0Ah Battery Pack with Universal Battery Charger	\$200.00
P-V215		3.0Ah Battery Pack	\$60.00
PV-BP17/ P-V214		2.4Ah Battery Pack	\$50.00
PV-BP18/ P-V611		1.8Ah Battery Pack	\$45.00
PV-BP15/ P-V213		1.2Ah Battery Pack	\$45.00
PV-AA6		"AA" Battery Case	\$20.00
PV-C16		Car Battery Cord	\$70.00
PV-RF16		RF Adaptor	\$40.00
PV-P1		VHS PlayPak	\$35.00
PV-H18		Soft Sided Carrying Case	\$49.00

Applying Power

Charge the Battery Pack

Charge the Battery Pack fully before use.



1 Plug in **AC Adaptor**.
POWER Lamp lights.

2 Insert **Battery**.

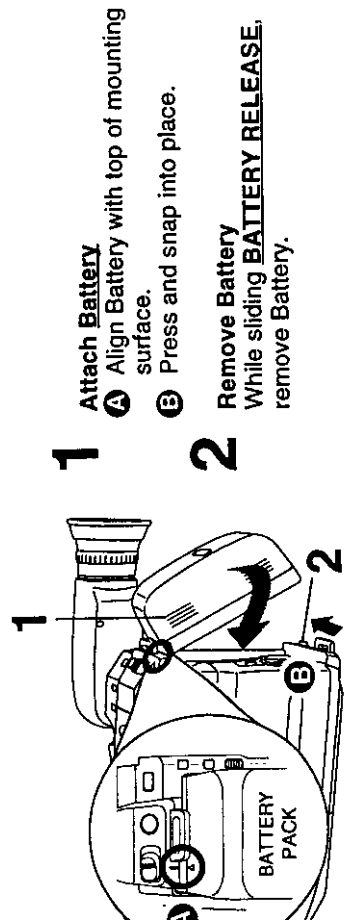
A Align right side of Battery with line on AC Adaptor.
B Press Battery down and slide in direction of arrow.
CHARGE Lamp lights and then goes out when charging is done (approx. 1 1/2 hours).

3 Remove **Battery**.
Slide Battery out and off.

• Battery life gradually decreases after repeated use and recharging. If operation time becomes very short even after a sufficient charge, discard Battery properly (page 11).

Remove the Battery Pack

A fully charged Battery provides a maximum of about 1.8 hours of continuous use (LCD monitor off) or about 1 hour (LCD monitor on). Actual time may vary due to operating conditions. Using the Built-in Light decreases operating time.



1 Attach **Battery**.
A Align Battery with top of mounting surface.
B Press and snap into place.

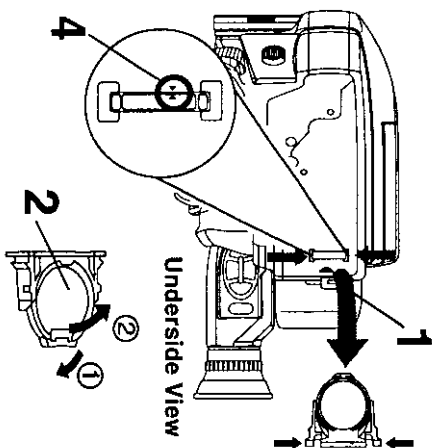
2 Remove **Battery**.
While sliding **BATTERY RELEASE**, remove Battery.

Replacing Clock/Remote Battery

The clock and remote batteries are pre-installed. Follow the steps below if replacement becomes necessary.

WARNING: Replace battery with Panasonic PART NO. VSBW0004 (CR2025) only. Use of another battery may present a risk of fire or explosion. Caution: Battery may explode if mistreated. Dispose of used battery promptly. Keep away from children. Do not recharge, disassemble or dispose of in fire.

Clock Battery

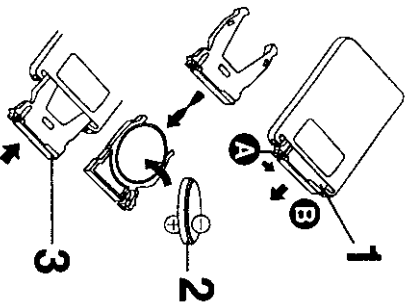


- 1 While pinching 2 tabs, pull Battery Tray out.
- 2 Bend 1 tab to remove Battery.
- 3 Snap new Battery (+ mark down) into Battery Tray.
 - Do not reverse the polarity.
- 4 Insert Battery Tray so the triangle marks meet.

Note:

- Keep Battery out of children reach. Swallowing it may be harmful.
- Improperly installed, discharged, or missing battery causes "CLOCK BATTERY" to appear when DISPLAY is pressed.
- Battery life is approximately 5 years.

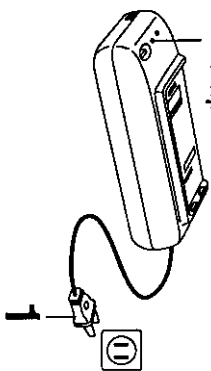
Remote Battery



- 1 A While pressing stopper tab, B pull Battery Tray out.
- 2 Insert battery into tray + mark down.
 - Do not reverse polarity.
- 3 Replace Battery Tray.

Battery Refresh

This feature completely discharges Battery before recharging begins. Use after about every 5 charges for optimum Battery performance.



- 1 Plug in AC Adaptor.
 - POWER Lamp stays on as long as Adaptor is plugged in.
- 2 Place Battery into Adaptor.
- 3 Press **BATTERY REFRESH**. The CHARGE Lamp flashes during discharge then stays lit until charging is complete. If BATTERY REFRESH is pressed by mistake, remove Battery from Adaptor and reinsert it for normal charging.
- 4 Remove Battery.
 - Charging takes about 7 1/2 hours when Battery Refresh is used.
 - Battery will not operate in extremely high temperatures.

Battery Care

- Caution:**
- Charge only with specified charger.
 - Battery can be charged within a temperature range of 50° F (10° C) and 95° F (35° C).
 - Battery is normally warm after charging or just after use.
 - Do not use an insufficiently charged or worn-out Battery.

Safety precautions:

- Do not get Battery near, or dispose of in fire.
- Do not directly connect (short circuit) the positive (+) and negative (-) terminals.
- Never attempt to disassemble or reassemble Battery.

Supplying Power

U.S.A. CONSUMERS:

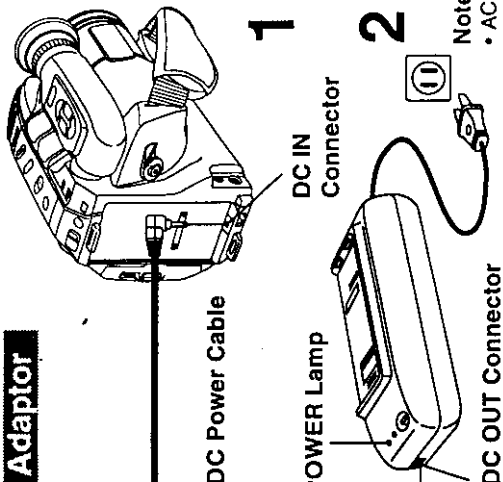
ATTENTION:

The product you have purchased is powered by a nickel cadmium battery which is recyclable. At the end of its useful life, under various state and local laws, it is illegal to dispose of this battery into your municipal waste stream. Please call 1-800-8-BATTERY for information on how to recycle this battery.



Applying Power

Adaptor



- 1 Connect **AC Adaptor VCR DC OUT** to **Camcorder DC IN** with supplied DC Power Cable.
- 2 Plug in **AC Adaptor. POWER Lamp** lights.

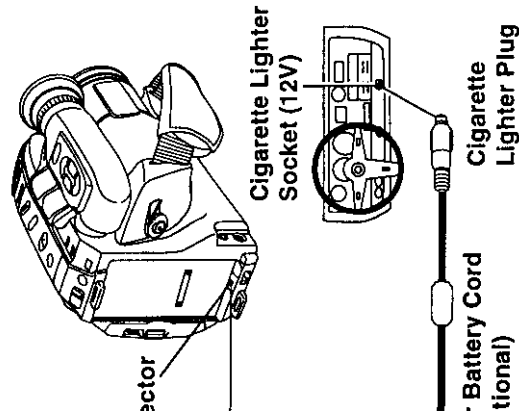
Notes:

- AC Adaptor cannot power Camcorder while charging Battery.
- When not in use, unplug AC Adaptor from AC outlet. (Turned off, Adaptor uses 1.2 W of electricity while plugged in.)

CAUTION:

This unit will operate on 110/120/220/240V AC. An AC plug adaptor may be required for voltages other than 120V AC. Please contact either a local or foreign electrical parts distributor for assistance in selecting an alternate AC plug. We recommend using the accessory power plug adaptor (VJSS0070) in an area which has special AC outlets.

Battery Cord (Optional)



- 1 Connect **PV-C16 Car Battery Cord (optional)** to **Camcorder DC IN**.
- 2 **A Start engine first.**
B Plug Car Battery Cord into Cigarette lighter socket.
 - If Car Battery cord fuse needs replacing, use exact current rating (in amps).

Notes:

- This cord only works in vehicles equipped with **DC 12V (negative ground)** battery. Check with your car/truck dealer. Use only specified car battery cord.
- To avoid blowing the car battery cord fuse, do step 2 in the proper order.
- Running vehicles must be well ventilated.
- When not in use, disconnect cigarette lighter plug.

Operation Notes

Optical Filters and Lenses

Be careful not to touch Camcorder lens when attaching filters and lenses.

Lens Hood Area Operation Caution

With a Wide or Telephoto conversion lens (optional) attached, the four corners of the screen may darken when zoom is set to maximum wide angle.

Attaching the lens hood, a Wide or Telephoto conversion lens (optional), etc. after a filter (optional) has been attached, the four corners of the screen may darken when zoom is set to maximum wide angle.

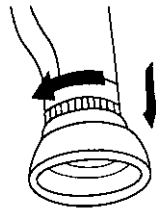
With two filters (optional) attached, the four corners of the screen may darken when zoom is set to maximum wide angle.

Earphone Jack (Monaural)

Connect the earphone (M3 type, not supplied) to the earphone jack for monitoring the sound during playback or recording.

Cleaning EVF (Electronic Viewfinder)

To Remove

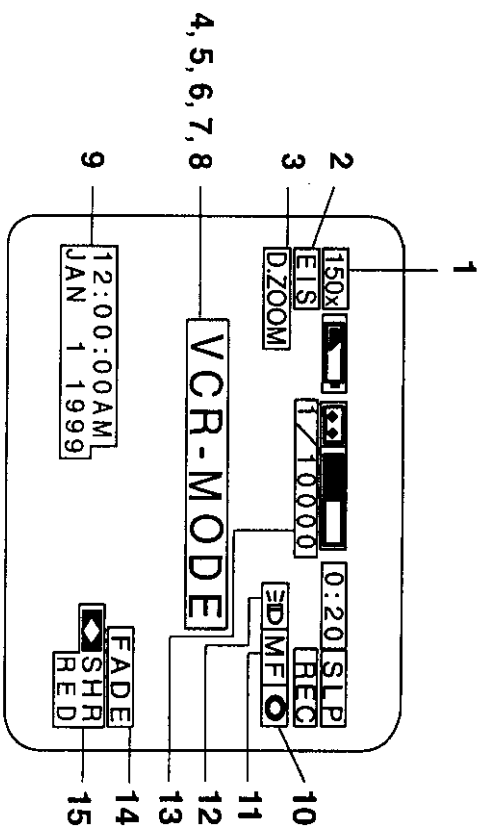


- 1 Turn the EVF Eyepiece counterclockwise 1/8 of a turn.
- 2 Pull free. Remove any lint or dust particles with a soft clean cloth being careful not to scratch the glass surfaces.
- 3 To re-install EVF Line up the marks on the Eyepiece with the grooves inside the EVF shaft and attach. Turn the EVF clockwise 1/8 of a turn to lock in place.

For Your Information

Viewfinder/LCD Monitor Indications

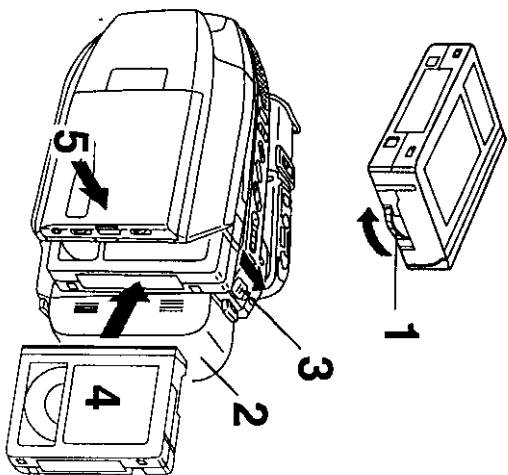
CAMERA/VCR mode



- 1 Zoom Magnification level (page 32).
- 2 Digital E.I.S. (page 38).
- 3 Digital Zoom (page 37).
- 4 VCR-MODE
Appears 1 minute when POWER is set to VCR or if RECORD/PAUSE is pressed in VCR mode.
- 5 DEW
If moisture condensation occurs in unit, "WARNING DEW DETECTED" appears, Power Lamp flashes, and Camcorder will shutoff in 15 seconds. Wait until lamp no longer flashes when Camcorder is turned on to use.
- 6 Time Lapse (page 40).
- 7 Security Mode (page 39).
- 8 Message Mode (page 42).
- 9 Date and Time (page 19).
- 10 Backlight (page 32).
- 11 Manual Focus (page 33).
- 12 Light ON/OFF (page 20).
- 13 High Speed Shutter (page 34).
- 14 Fade (page 35).
- 15 Color Digital Fade (page 36).

Cassette Information

Cassette Insertion/Removal



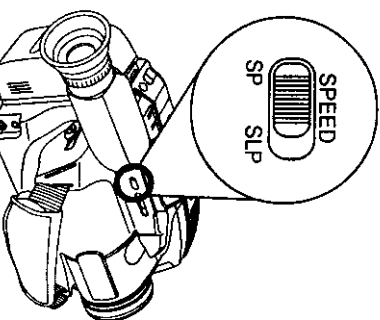
- 1 Turn Tape Wheel in direction of arrow until there is no slack.
- 2 Attach Battery (page 10).
- 3 Slide TAPE EJECT to open door.
- 4 Insert cassette as shown.
- 5 Press here to close door.

Record/Playback Time

Use tapes with the **VHS** mark in this unit.

Tape Speed Selector Position	Cassette type		
	TC-20	TC-30	TC-40
SP (Standard Play)	20 minutes	30 minutes	40 minutes
SLP (Super Long Play)	1 hour	1 hour 30 minutes	2 hours

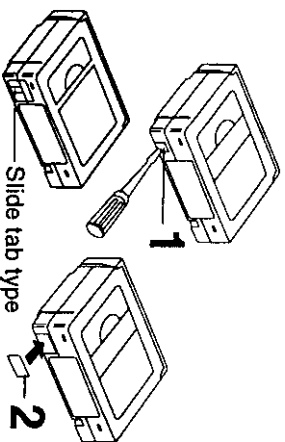
• SLP playback may contain more picture noise.



TAPE SPEED Selector

Erase Protection Tab

A record tab ensures recordings are not accidentally erased.

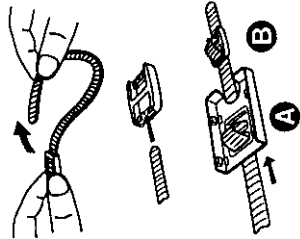


- 1 To prevent erasure, break off tab with screwdriver. (Or, slide tab open.)
- 2 To record again, cover hole with adhesive tape. (Or, slide tab closed.)

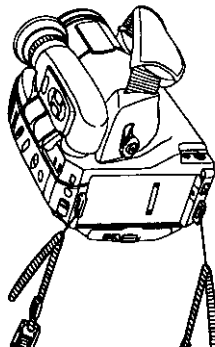
Attaching Shoulder Strap/Remote Holder

Remove Battery Pack before doing steps.

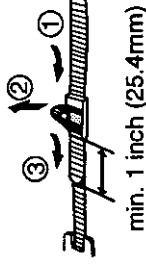
- 1 Undo strap ends from buckles.
- 2 Remove one buckle.
- 3 **A** Thread strap (with no buckle) through Remote Holder so it faces outward.
B Replace buckle.



- 4 Thread strap ends through Strap Rings on Camcorder.



- 5 Reinsert the strap ends into buckles.

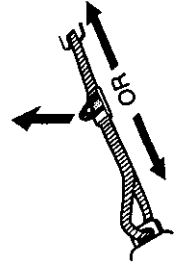


min. 1 inch (25.4mm)

- 6 Insert Remote into Holder when not in use.

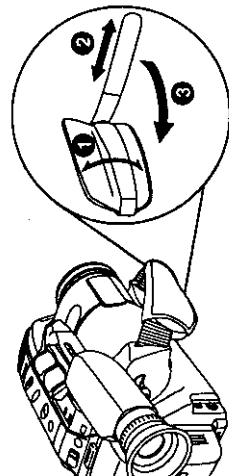


Adjusting the Length



- 1 Pull a loop of strap from buckle.
- 2 Pull strap tight to shorten or lengthen.

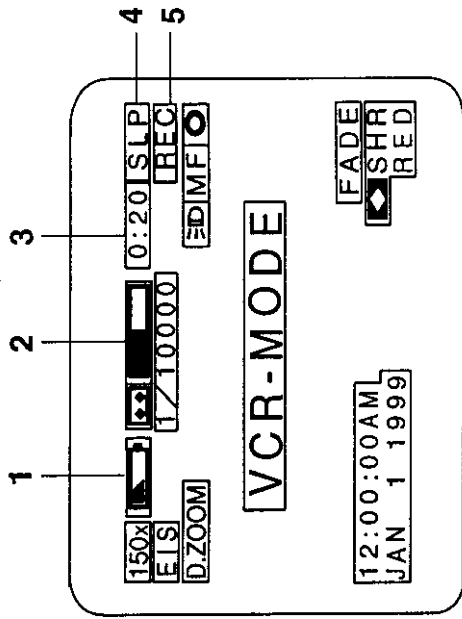
Hand Strap



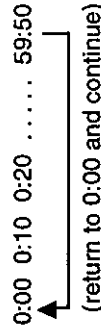
Adjust Hand Strap length to fit your hand as shown.

Viewfinder/LCD Monitor Indications

CAMERA/VCR mode

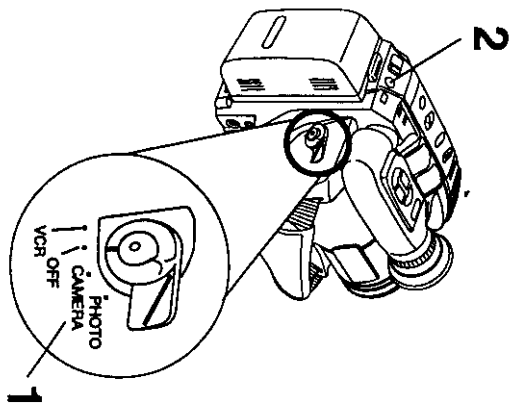


- 1 **Battery Remaining** (page 46)
"WARNING LOW BATTERY" appears and External Power Lamp starts flashing 15 seconds before Camcorder shutoff.
- 2 **Tape Remaining**
• If cassette is not inserted or has no record tab in Camera (RECORD) mode, "L" flashes 1 minute and "CHECK TAPE" appears 5 seconds before Camcorder shutoff.
• As end of tape is reached, "L" flashes and "TAPE END" appears 5 seconds before Camcorder shutoff.
- 3 **10-Second Reminder**
Each time a recording is started, a 10 second incremental display (up to 59:50) lets you monitor how long one scene is recorded.
- 4 **TAPE SPEED** (pages 13, 21)
(SP=standard play, SLP=super long play, T.LAPSE=time lapse).
- 5 **Operating Mode**
REC (record)
PAUSE
FF (fast forward)
PLAY
REW (rewind)

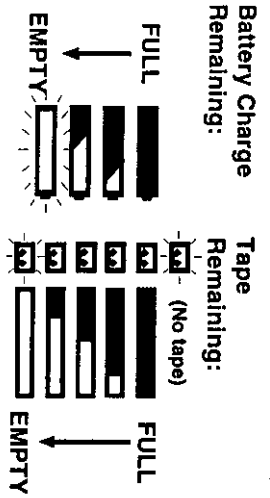


Viewfinder/LCD Monitor Indications

Tape remaining and battery charge level can be displayed.



- 1 Set **POWER** to **CAMERA**.
- 2 Press **DISPLAY** repeatedly to select the following displays.

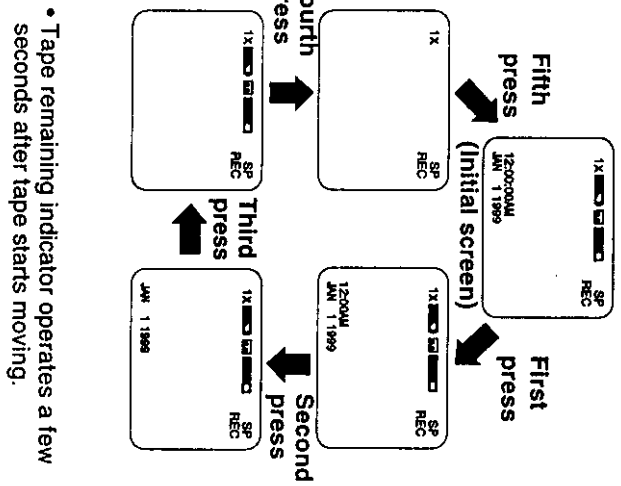
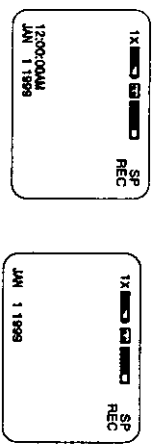


Recording the Date and Time

- 1 Do steps 1 and 2 above to select time/date, date only, or no display.
- 2 Start a recording (page 21).
 - Only the Date and/or Time are recorded.

Display-Off Mode

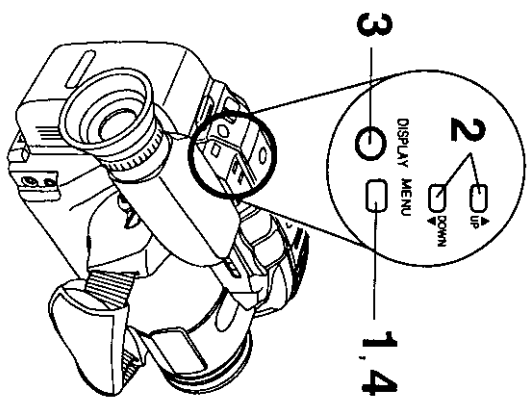
No indication, except Intelligent Titer (pages 43-45), will be displayed.
 With no tape inserted, press **DISPLAY** and **STOP** together over 1 second.
 Press **DISPLAY** repeatedly to remove time/date.
 Indications are restored when Camcorder is turned off, and then on again.



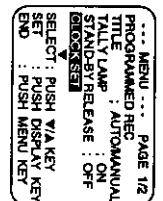
Using MENU Mode

MENU Mode

Before you begin...
 • Connect Camcorder to power source.
 • Set **POWER** to **CAMERA**.



- 1 Press **MENU** for **MENU** mode.
- 2 Press **UP** or **DOWN** to highlight menu item.
- 3 Press **DISPLAY** to set selection
- 4 Press **MENU** to exit.



Note:
 • The Menu mode is canceled if UP/DOWN(▲/▼), DISPLAY, or MENU are not pressed within 5 minutes.

ENU Mode Screen

--- MENU --- PAGE 1/2
 PROGRAMMED REC : AUTO/MANUAL
 TITLE :
 TALLY LAMP : ON
 STAND-BY RELEASE : OFF
 CLOCK SET
 SELECT : PUSH ∇/\blacktriangle KEY
 SET : PUSH DISPLAY KEY
 END : PUSH MENU KEY

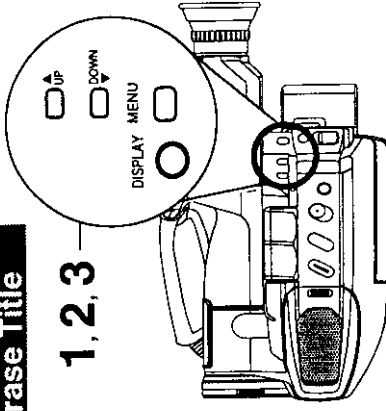


PAGE 2/2
 TIME LAPSE : OFF
 MESSAGE : OFF
 SECURITY : OFF
 VIDEO EFFECTS : FADE
 BLACK
 SELECT : PUSH ∇/\blacktriangle KEY
 SET : PUSH DISPLAY KEY
 END : PUSH MENU KEY

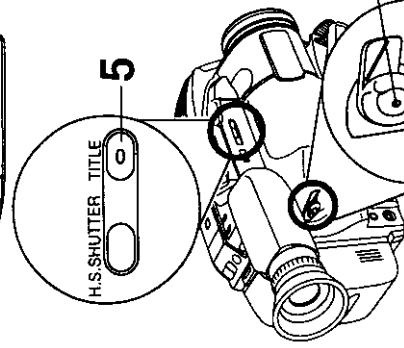
- 1 **PROGRAMMED REC** (page 25).
Camcorder starts and stops recording at a preset time.
- 2 **TITLE** (pages 43-45).
AUTO/MANUAL : 16 items
PHRASE : 10 items
- 3 **TALLY LAMP** (page 41).
ON: lamp lights during recording.
- 4 **STAND-BY RELEASE** (page 23).
ON: enables quick resumption of recording from Stand-by mode.
- 5 **CLOCK SET** (pages 17-19).
Select to set clock.
- 6 **TIME LAPSE** (page 40).
ON: setup TIME LAPSE recording.
- 7 **MESSAGE** (page 42).
ON: setup MESSAGE recording.
- 8 **SECURITY** (page 39).
ON: setup MOTION SECURITY recording.
- 9 **VIDEO EFFECTS** (pages 35, 36).
AUTO FADE : BLACK/WHITE
DIGITAL FADE : TYPE → 7 type
COLOR → 8 colors

Phrase Title

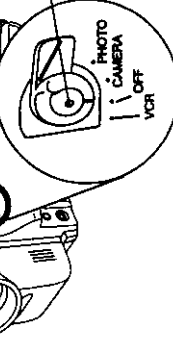
1, 2, 3



5



4



(no indication)
 BEAUTIFUL
 BRAVO!
 CHEERS!
 CONGRATULATIONS
 GIMME A BREAK!
 GOOD LUCK
 I LOVE YOU
 OOPS!
 OUR LITTLE ANGEL
 WAY TO GO

Before you begin...

- Connect Camcorder to power source.
- Set POWER to CAMERA.
- Insert cassette with record tab (page 13).

- 1 Press **MENU** for MENU mode.
Press **UP** or **DOWN** to select **TITLE**.

... MENU ... PAGE 1/2
 PROGRAMMED REC :
 TITLE : PHRASE
 TALLY LAMP : ON
 STAND-BY RELEASE : OFF
 CLOCK SET
 SELECT : PUSH ∇/\blacktriangle KEY
 SET : PUSH DISPLAY KEY
 END : PUSH MENU KEY

- 2 Press **DISPLAY** to select PHRASE.

- 3 Press **MENU** to exit.

- 4 In Pause (Record mode), press **TITLE** repeatedly to display phrases from list below, left.

- 5 To record the phrases, Press **RECORD/PAUSE**.

- 6 Press **TITLE** while recording to remove phrase.

Note:

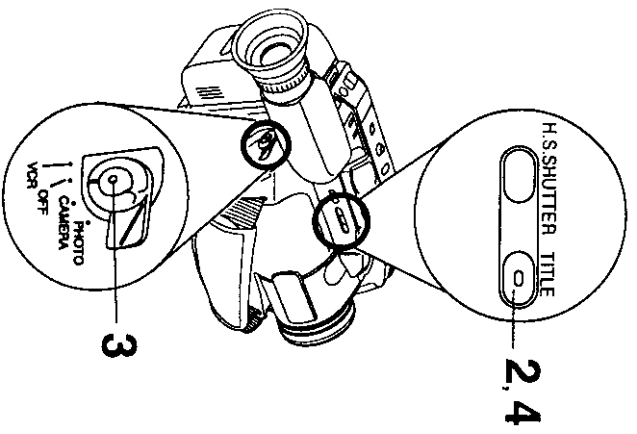
- To redisplay phrase, press **TITLE** in Pause (Record mode).

Intelligent Titrer

Automatic/Manual Title Display List

Dec. 31-Jan. 1	HAPPY NEW YEAR! / CHEERS!
Feb. 14	VALENTINE'S DAY / BE MY VALENTINE
2nd Sunday in May	HAPPY MOTHER'S DAY / WE LOVE YOU!
Last Monday in May	MEMORIAL DAY
3rd Sunday in Jun.	HAPPY FATHER'S DAY / WE LOVE YOU!
Jul. 4	INDEPENDENCE DAY
1st Monday in Sep.	LABOR DAY
Oct. 31	HAPPY HALLOWEEN
4th Thursday in Nov.	HAPPY THANKSGIVING
Dec. 24-25	MERRY CHRISTMAS / HOI HOI HOI
These Titles must be displayed manually.	
	HAPPY EASTER
	HAPPY ANNIVERSARY
	HAPPY BIRTHDAY
	VACATION
	WEDDING DAY
	A SPECIAL DAY

Manual Title



Before you begin...

- Connect Camcorder to power source.
- Set POWER to CAMERA.
- Insert cassette with record tab (page 13).

- 1 Confirm that TITLE: AUTO/MANUAL is set in Menu mode (steps 1-3, page 43).
- 2 In Pause (Record mode), press **TITLE** repeatedly to display titles from list above.
- 3 To record the title, Press **RECORD/PAUSE**.
- 4 Press **TITLE** while recording to remove title.

Note:

- To redisplay title, press **TITLE** in Pause (Record mode).

Setting the Clock

Set the following items in order: Time Zone, Daylight Saving Time, Date and Time.

Setting the Time Zone

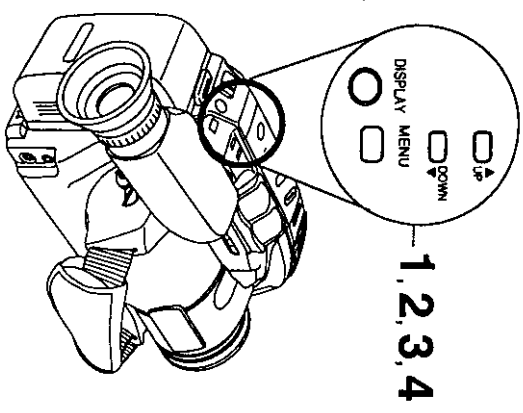
The Camcorder is preset to Eastern time. To change time zone, do steps at right:

Before you begin...

- Connect Camcorder to power source.
- Set POWER to CAMERA.

Note:

- Setting POWER to VCR also displays CLOCK SET menu.
- Clock may lose or gain up to 2 minutes per month. To adjust, see page 19.



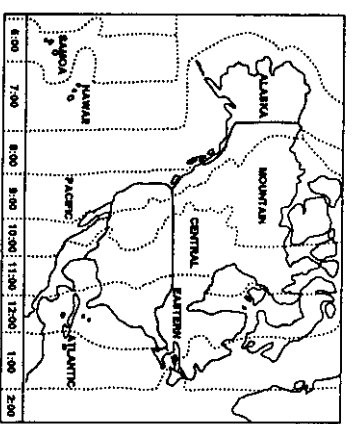
- 1 Press **MENU** for MENU mode. Press **UP** or **DOWN** to select **CLOCK SET**.

- 2 Press **DISPLAY** for CLOCK SET menu. Press **UP** or **DOWN** to select **TIME ZONE**.

- 3 Press **DISPLAY** for SELECT TIME ZONE menu. Press **UP** or **DOWN** to select local time zone.

- 4 Press **DISPLAY** to confirm entry. Press **MENU** twice to exit.

- When traveling, repeat these step and select one of the 8 listed time zones to set the clock to local time



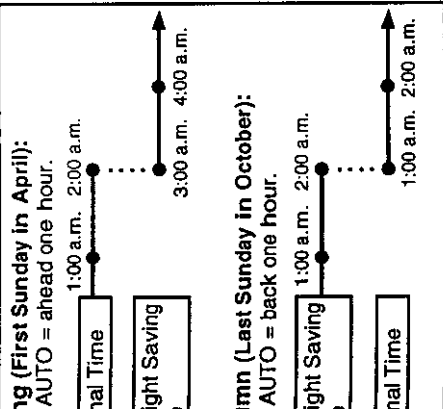
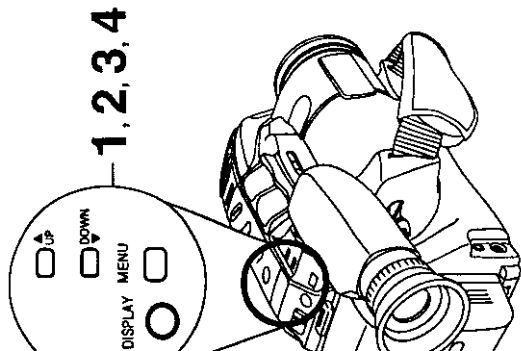
Note: When travelling outside the listed time zones, set clock to local time manually (page 19).

Setting the Clock

Daylight Saving Time

will auto-adjust to daylight-saving (DST).

Camcorder is preset to DST. If DST is not observed in your area, set to **OFF** by doing the following steps.



Before you begin...

- Connect Camcorder to power source.
- Set **POWER** to **CAMERA**.

Note:

- When **POWER** is set to **VCR**, **CLOCK SET** menu appears.
- Auto DST does not function if time zone is set to Hawaii or Samoa (page 17).

1 Press **MENU** for **MENU** mode. Press **UP** or **DOWN** to select **CLOCK SET**.

--- MENU --- PAGE 1/2
 PROGRAMMED REC : AUTOMANUAL
 TALLY LAMP : ON
 STAND-BY RELEASE : OFF
 CLOCK SET
 SELECT : PUSH **V/A** KEY
 SET : PUSH DISPLAY KEY
 END : PUSH MENU KEY

2 Press **DISPLAY** for **CLOCK SET** menu. Press **UP** or **DOWN** to select **D.S.T.**

--- CLOCK SET ---
 TIME ZONE : EASTERN
 D.S.T. : AUTO
 DATE/TIME : 12:00:00AM
 JUN 11 1998
 SELECT : PUSH **V/A** KEY
 SET : PUSH DISPLAY KEY
 END : PUSH MENU KEY

3 Press **DISPLAY** for **DAYLIGHT SAVING TIME** menu. Press **UP** or **DOWN** to select **OFF** or **AUTO**.

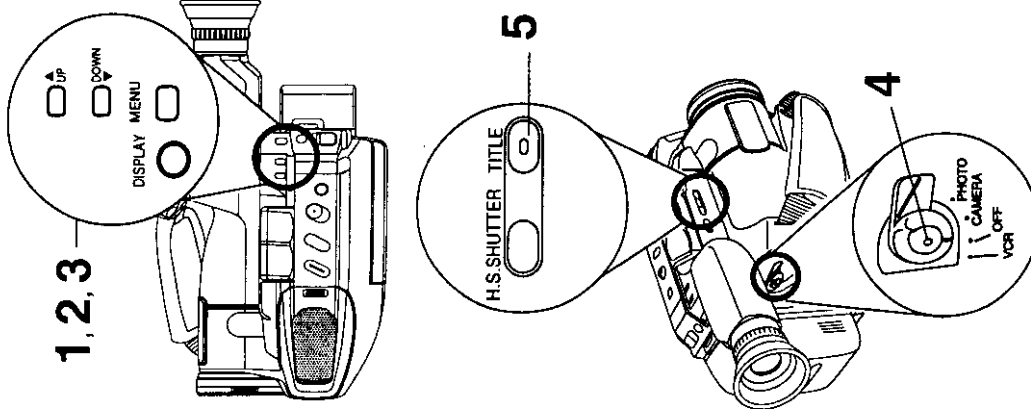
-- DAYLIGHT SAVING TIME --
 AUTO
OFF
 SELECT : PUSH **V/A** KEY
 SET : PUSH DISPLAY KEY

4 Press **DISPLAY** to confirm entry. Press **MENU** twice to exit.

Intelligent Titler

Automatic Title

Camcorder auto-displays title greeting on selected holidays when power is first turned on. See title list on page 44.



1 Press **MENU** for **MENU** mode. Press **UP** or **DOWN** to select **TITLE**.

--- MENU --- PAGE 1/2
 PROGRAMMED REC : AUTOMANUAL
 TALLY LAMP : ON
 STAND-BY RELEASE : OFF
 CLOCK SET
 SELECT : PUSH **V/A** KEY
 SET : PUSH DISPLAY KEY
 END : PUSH MENU KEY

2 Press **DISPLAY** to select **AUTO/MANUAL**.

3 Press **MENU** to exit.

4 To record the title, press **RECORD/PAUSE**.

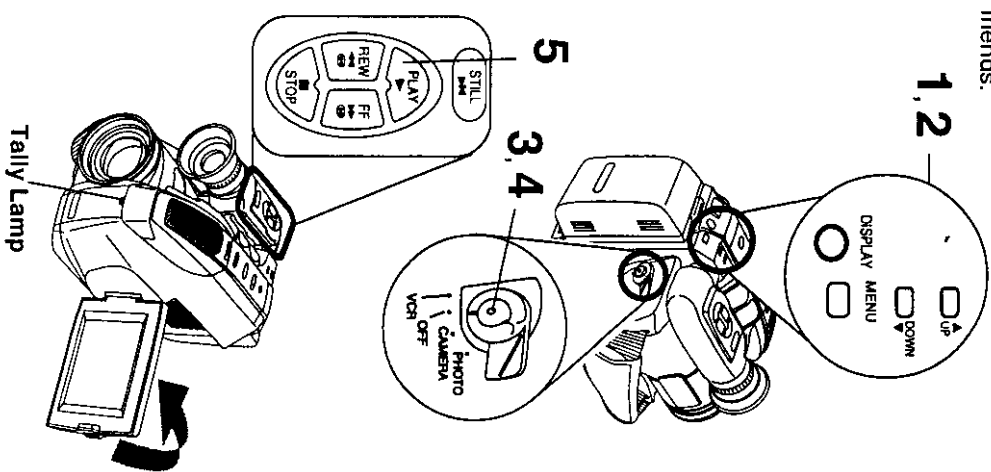
5 Press **TITLE** to remove title during recording.

Note:

- Once removed, title will not be auto-displayed. To redisplay, or select from other titles use Manual Title (page 44).

Message Mode

Leave audio/video messages for family or friends.



1, 2

Before you begin...

- Connect Camcorder to power source.
- Use AC Adaptor for extended use.
- Insert cassette with record tab (page 13).
- Set POWER to CAMERA.

1 Press MENU for MENU mode.

Press **UP** or **DOWN** to select **MESSAGE**.



2 Press DISPLAY to select ON. Press MENU to exit.



3 Flip LCD in direction of lens. Press RECORD/PAUSE to start recording your message.



4 Press RECORD/PAUSE to end.

- Camcorder auto-rewinds to the message start, then goes to Stand-by mode.
- Tally lamp flashes and display alerts



5 Press PLAY to playback message.

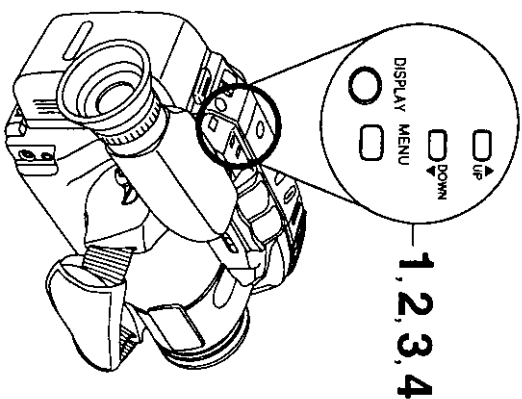
- LCD can be in any position for playback.
- To cancel feature, set POWER to OFF.

Note:

- One message limit.
- If tape is ejected or battery (if used) is depleted while in Stand-by mode, the message mode is exited. To playback message (tape is inserted and/or new power source is attached), set POWER to VCR and press PLAY.
- In Message mode, MENU, TITLE, and SECURITY MODE buttons are unavailable.
- Title cannot be displayed in Message mode.
- Message button is unavailable during Time Lapse and Programmed Rec Stand-by.

Setting Date and Time

Date and time, including leap year, are calculated up to DEC 31, 2097.



Before you begin...

- Connect Camcorder to power source.
- Set POWER to CAMERA.

Note: When POWER is set to VCR, CLOCK SET menu appears.

1 Press MENU for MENU mode.

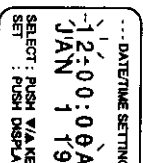
Press **UP** or **DOWN** to select **CLOCK SET**.



2 Press DISPLAY for CLOCK SET menu. Press UP or DOWN to select DATE/TIME.



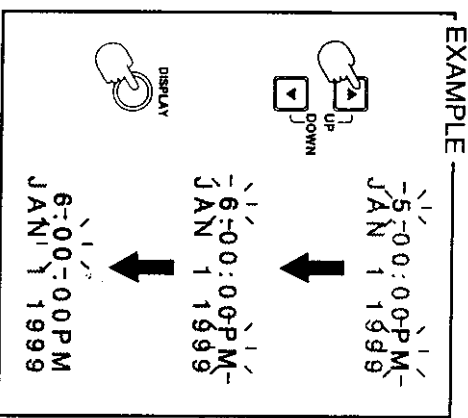
3 Press DISPLAY for DATE/TIME menu.



4 Press or hold down UP or DOWN to select hour, then press DISPLAY to fix.

Repeat for minute, month, day, and year. Clock starts when year is entered.

Press MENU twice to exit.

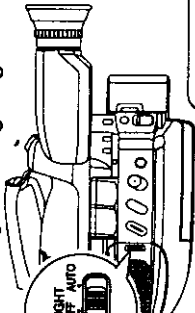


Setting the Clock

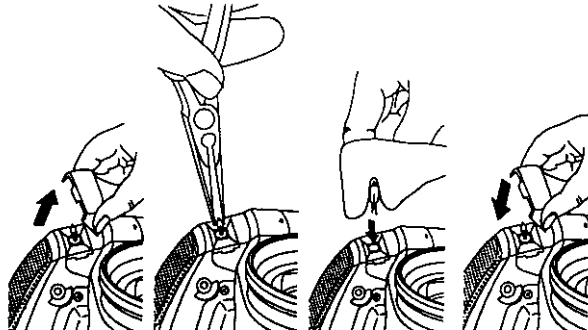
Built-in Auto Light

Using the Light

recording in dim lighting.



Replacing the Bulb



ANGER:

Use only replacement bulb (PART NO. W0015) supplied by Panasonic to reduce risk of fire. Handle new bulb with cloth or tissue as oils will decrease bulb life. Move lens cover and allow bulb to cool before replacing to avoid possible hazard.

Before you begin...

- Connect Camcorder to power source.
- Set **POWER** to **CAMERA**.

Set LIGHT to AUTO.

Light turns on/off automatically according to lighting conditions.
Or, set **LIGHT** to **ON/OFF** manually.

LD appears in EVF when Light is on.

Caution:

Light becomes hot. Never cover Light while on.

Before you begin...

- Order Part No. VULS0001 for replacement bulb.
- Set **POWER** to **OFF**.

1

Press in on both sides of lens cover and pull straight out and off.

2

Using Tweezers or needle-nose pliers, carefully remove bulb.
• Take unit to service center if you need assistance.

3

Replace bulb using a clean cloth or tissue.

4

Replace lens cover.

Note:

- Using Light reduces battery operating time.
- Provide proper ventilation when using Light extensively in hot environment.
- Using Light when the Camcorder is powered by a car battery may shorten bulb life.
- Set Light to OFF when not in use.
- Handle bulb gently. Excessive force may cause bulb to crack.

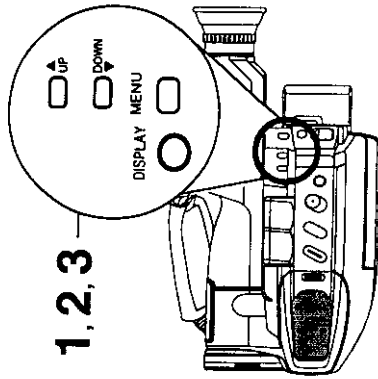
Tally Lamp

The tally lamp can be set to come on or stay off during recording. Factory default setting is ON.

Before you begin...

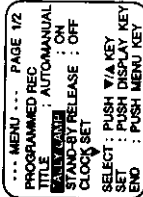
- Connect Camcorder to power source.
- Set **POWER** to **CAMERA**.
- Insert cassette with record tab (page 13).

1, 2, 3



1

Press **MENU** for **MENU** mode.
Press **UP** or **DOWN** to select **TALLY LAMP**.

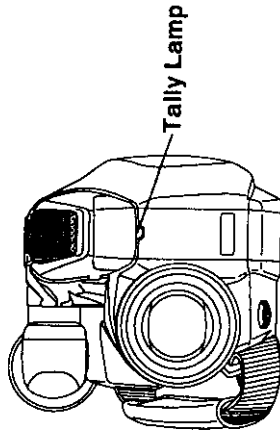


2

Press **DISPLAY** to select:
ON → lamp lights during recording.
OFF → lamp stays off.

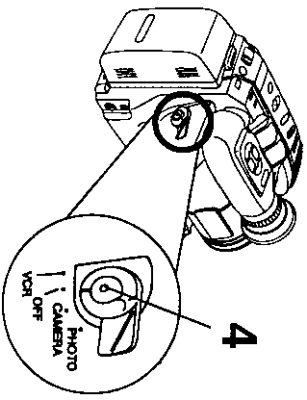
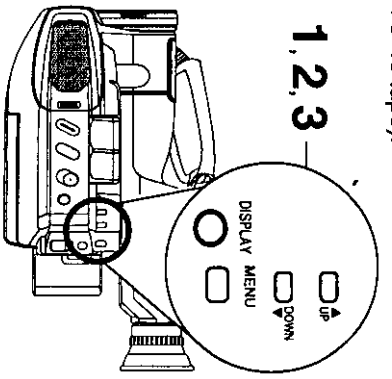
3

Press **MENU** to exit.



Time Lapse

This feature reduces tape speed to 1/3 SLP for long term period recording (up to 6 hours with TC-40 tape).

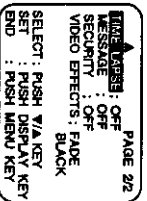


Before you begin...

- Connect Camcorder to power source. Use AC Adaptor for longer recordings.
- Insert cassette with record tab (page 13).
- Set **POWER** to **CAMERA**.
- Slide **TAPE SPEED** to **SLP**.

1

Press **MENU** for **MENU** mode. Press **UP** or **DOWN** to select **TIME LAPSE**.



2

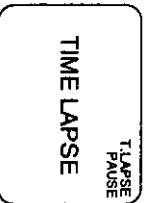
Press **DISPLAY** for **ON** or **OFF**. **TIME LAPSE: ON**
Records at 1/3 SLP speed (up to 6 hours). Playback will be normal SLP speed. Sound is muted.

3

Press **MENU** to exit.

4

Do a recording (page 21).



To cancel Time Lapse, do steps 1, 2, and 3. In step 2, select **OFF**.

IMPORTANT:

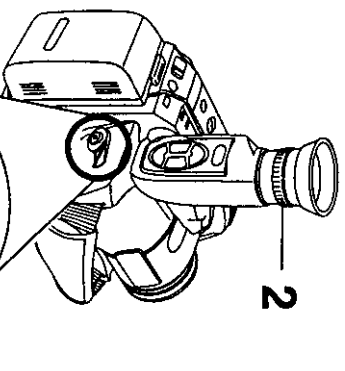
- Time Lapse recording system is not part of VHS standard. Therefore, time lapse recordings should be played back on Camcorder only.
- Recordings other than time lapse may be played back on any **VHS** camcorder or **VHS** VCR.

Camera Recording

Simple Recording

Before you begin...

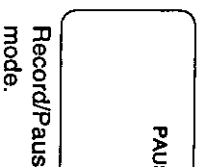
- Connect Camcorder to power source.



1

Set **POWER** to **CAMERA**. Lens Cover opens. **EVF**

- Be sure **POWER** is fully turned to **CAMERA** position.



2

Look into Viewfinder and adjust Vision Adjustment control to your eyesight.

3

Slide **TAPE SPEED** to **SP** or **SLP** (page 13).

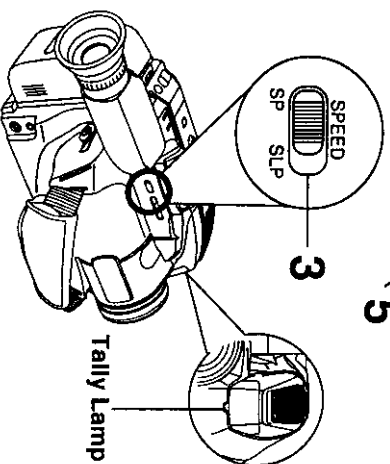
4

Press **RECORD/PAUSE** to start or pause recording. **REC** lamp lights during recording. Tally lamp also lights if set to **ON** (page 41).



5

Set **Power** to **OFF** when finished. **To remove cassette**, slide **TAPE EJECT** in Record/Pause mode. (page 13).



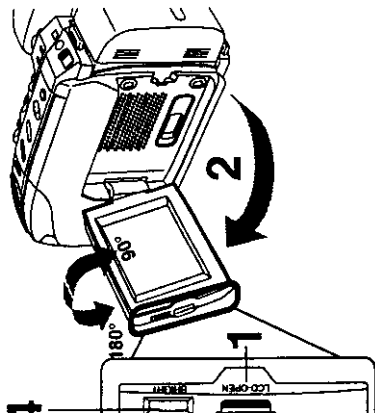
Note:

- When Camcorder is aimed at excessively bright objects, or bright lights, a vertical bar may appear in picture. This is normal for the CCD pick-up. Try to avoid this when possible.

Camera Recording

Using the LCD Monitor

recording scene on the LCD (Liquid Crystal Display).



Before you begin...

- Connect Camcorder to power source.

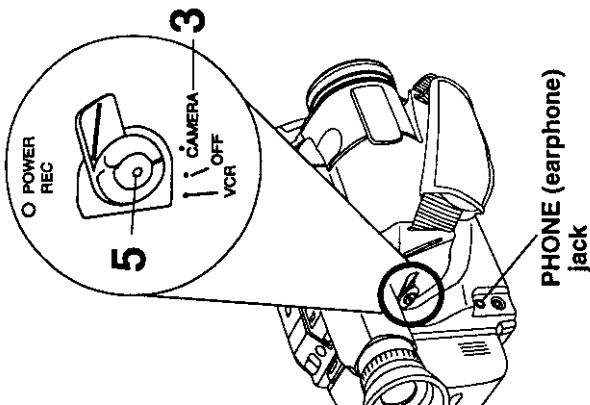
- 1 Press **LCD-OPEN** to unlock LCD.
- 2 Swing **LCD fully open** and adjust viewing angle.
Caution:
Rotating partially open LCD monitor may block cassette door and damage Camcorder body.

- 3 Set **POWER to CAMERA**.
• LCD monitor turns off/on by the POWER switch.
• Viewfinder shuts off when LCD is fully opened and turns back on when LCD is locked closed.
• Both Viewfinder and LCD monitor turn on when LCD is at 180° (see below left).
This allows both you and the subject to view the recording.

- 4 Turn **BRIGHT** to adjust LCD brightness level.
- 5 Start recording (page 21).

Note:

- Using LCD reduces battery operation time.
- To hear sound while recording, connect earphone (M3 type not supplied) to PHONE jack.
- Lock LCD closed when not in use.



Security Mode

Before you begin...

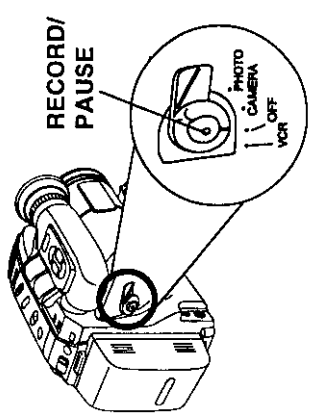
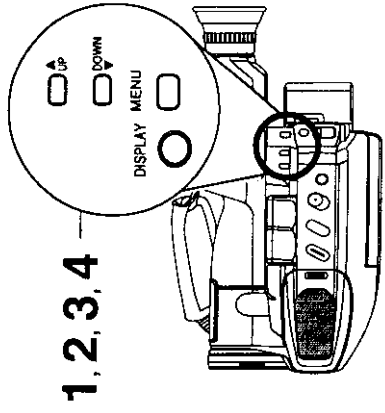
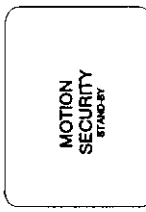
- Connect Camcorder to power source. Use AC Adaptor for longer recordings.
- Insert cassette with record tab (page 13).
- Set **POWER to CAMERA**.
- Securely position and aim Camcorder.

- 1 Press **MENU** for MENU mode. Press **UP** or **DOWN** to select **SECURITY**.
TIME LAPSE : OFF PAGE 22
MESSAGE : OFF
SECURITY : OFF
VIDEO EFFECTS : FADER
BLACK
SELECT : PUSH **W/A** KEY
SET : PUSH DISPLAY KEY
END : PUSH MENU KEY

- 2 Press **DISPLAY** for SECURITY menu. Press **UP** or **DOWN** to select **MOTION** or **OFF**.
SECURITY MODE ...
OFF
MOTION
SELECT : PUSH **W/A** KEY
SET : PUSH DISPLAY KEY

- 3 Press **DISPLAY** to confirm entry. Press **MENU** to exit.

- 4 Press **RECORD/PAUSE** to Motion Security stand-by mode. If cassette is not inserted, "MOTION SECURITY STAND-BY" will flash.



- Recording will start about 3 seconds after motion is detected.
- Date and time are recorded if displayed in EVF (page 19).
- Recording stops 30 seconds after motion ceases.

Note:

- Security recording starts if Camcorder is repositioned.
- This feature is not available during normal recording.
- While in Security stand-by, the following are not available:
Stand-by mode, Digital E.I.S., Video Effects, Message, and Time Lapse.

Motion Security may false start when:

- background is plain, like a white wall, or has distinct vertical, horizontal, or slanted stripes, like a venetian blind.
- brightness suddenly changes.

Motion Security may not start when:

- motion is very slow or fast.
- moving object is very small.
- motion occurs only in 1 corner of viewing area.
- in poor lighting (in this case, MOTION SECURITY flashes).
- background is plain, like a white wall, or has distinct horizontal or vertical stripes.

Special Features

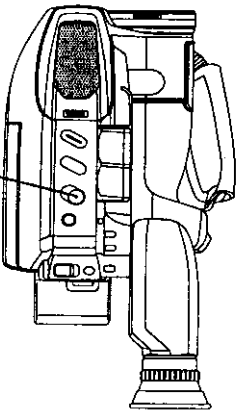
Digital E.I.S.

Digital Electronic Image Stabilization (E.I.S.)

Helps stabilize picture when recording in unstable situations.

Before you begin...

- Set **POWER** to **CAMERA**.



1

Press **EIS** to display "EIS" in the EVF.

- Image becomes slightly enlarged and shutter speed auto-adjusts from 1/80 to 1/350 according to brightness.
- Use High Speed Shutter (page 34) if needed. Shutter speed setting remains after EIS is canceled.

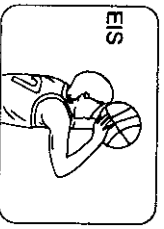
2

Press **EIS** again to cancel when not in use.



NORMAL

- E.I.S. may not function during...**
- extreme Camcorder movement.
 - recording of subject with distinct horizontal or vertical stripes.
 - low light situations (EIS indicator flashes).
 - intense fluorescent lighting situations.
 - recording of very fast motion.

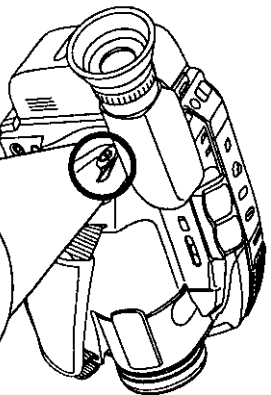


EIS

Digital EIS ON

Stand-by Quick Release

If left in **RECORD/PAUSE** mode for 5 minutes, Camcorder switches to Stand-by mode to save energy. When set to ON, Stand-by Quick Release lets you record again by simply pressing **RECORD/PAUSE**. Factory setting is OFF.



1

Set **POWER** to **CAMERA**.

Before you begin...

- Connect Camcorder to power source.
- Insert cassette with record tab (page 13).

2

Press **MENU** for **MENU** mode. Press **UP** or **DOWN** to select **STANDBY/RELEASE**.

RECORD/ PAUSE

1

```

*** MENU *** PAGE 1/2
PROGRAMMED REC : ON
TITLE LAMP : AUTOMATIC
RECORD/RELEASE : ON
CLOCK SET :
SELECT : PUSH WA/KEY
END : PUSH MENU/SET
    
```

3

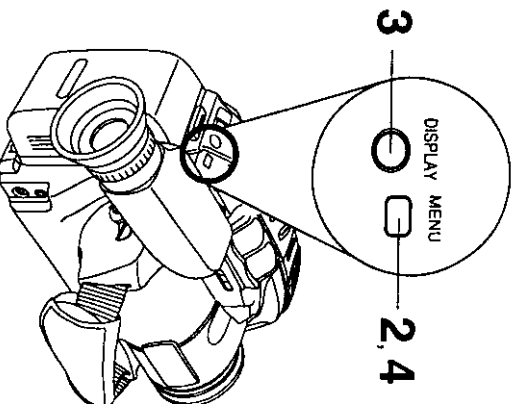
Press **DISPLAY** to select ON/OFF.

ON: From Stand-by mode, press **RECORD/PAUSE** to record.

OFF: From Stand-by mode, set **POWER** to OFF, then to **CAMERA**. Press **RECORD/PAUSE** to record.

4

Press **MENU** to exit.



3

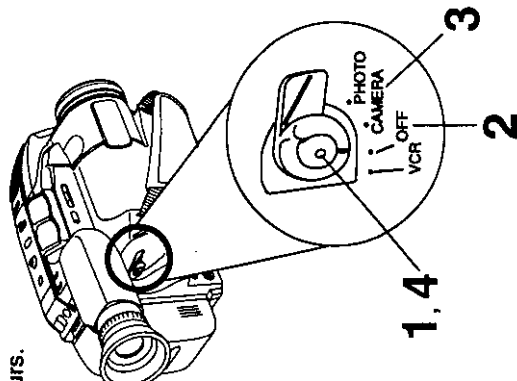
DISPLAY MENU

2, 4

Camera Recording

Manual Easy Editing

smooth transition between scenes if recording is stopped, and then started within 15 seconds.



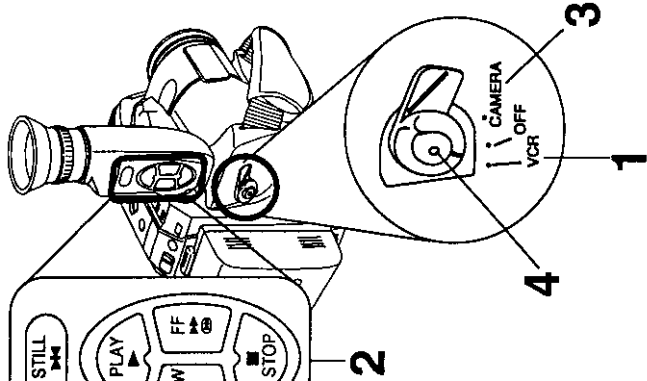
- 1 Press **RECORD/PAUSE** to stop recording.
- 2 Set **POWER** to **OFF** and leave cassette in Camcorder.
- 3 To resume recording, set **POWER** to **CAMERA**.
- 4 Press **RECORD/PAUSE** to resume recording.

Note:

- Use Manual Easy Edit (below) if more than 24 hours before recording is resumed.

Manual Easy Editing

oper continuity when taping from Stop mode or after attaching a new Battery.



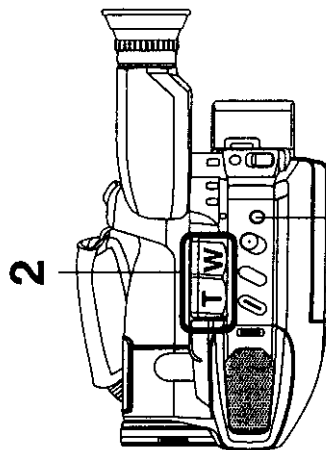
- 1 Set **POWER** to **VCR**.
- 2 **A** Press **REWIND/SEARCH** to rewind a few seconds of tape.
B Press **PLAY** to review recording.
C Press **STILL** where you want to continue recording.
- 3 Set **POWER** to **CAMERA**.
- 4 Press **RECORD/PAUSE** to resume recording.

Digital Zoom

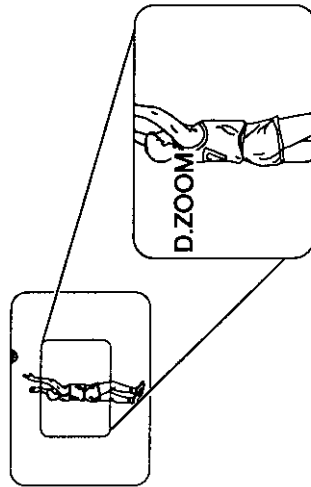
Power Zoom magnification is digitally increased.

Before you begin...

- Set **POWER** to **CAMERA**.



- 1 Press **DIGITAL ZOOM**.
D.ZOOM mode (150x maximum).
Higher digital magnification levels may cause picture distortion.
- 2 Hold down "T" on **POWER ZOOM**.
Digital Zoom starts when normal zoom reaches maximum (26x).
• Zoom level appears in EVF.
• **POWER ZOOM** switch controls digital zoom level.
• Normal zoom resumes when level falls below 26x.
- 3 Press **DIGITAL ZOOM** so no indication appears in EVF to turn off Digital Zoom.



Special Features

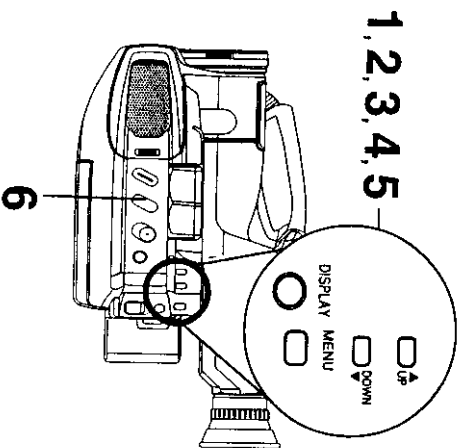
Fade

Color Digital Fade

Choose from 7 fade effects in 8 different colors.

Before you begin...

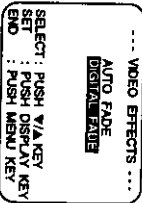
- Connect Camcorder to power source.
- Set POWER to CAMERA.



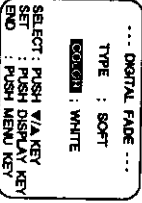
- 1 Press **MENU** for MENU mode. Press **UP** or **DOWN** to select **VIDEO EFFECTS**.



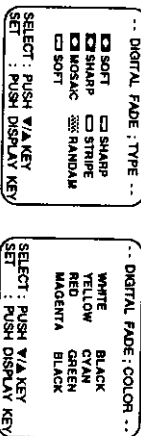
- 2 Press **DISPLAY** for VIDEO EFFECTS menu. Press **UP** or **DOWN** to select **DIGITAL FADE**.



- 3 Press **DISPLAY** for DIGITAL FADE menu. Press **UP** or **DOWN** to select TYPE or COLOR.



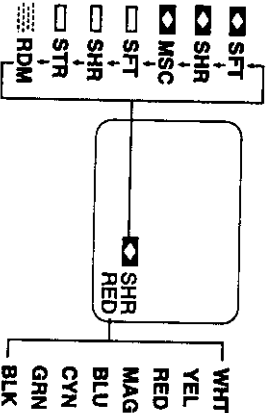
- 4 Press **DISPLAY** for TYPE or COLOR menu. Press **UP** or **DOWN** to select TYPE and COLOR mode.



- 5 Press **DISPLAY** to confirm entry. Press **MENU** twice to exit.

- 6 Hold **FADE** down during recording to fade out. Release to fade in.

For more effects, stop fade in or fade out at any time (except BLACK, WHITE, and RANDOM modes) by pressing **MODE SEL**. Then, press **FADE** to resume fade in.



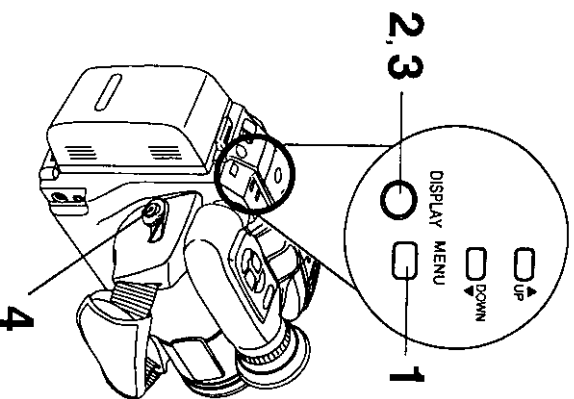
Indications

Programmed Recording

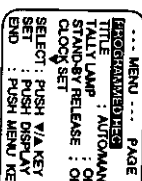
Set a recording start and stop time. Or, set a 5 or 10 second interval recording to be done each minute.

Before you begin...

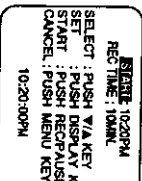
- Connect Camcorder to power source.
- Use AC Adaptor for longer recordings.
- Insert cassette with record tab (page 13).
- Set POWER to CAMERA.



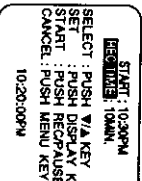
- 1 Press **MENU** for MENU mode. Press **UP** or **DOWN** to select **PROGRAMMED REC**.



- 2 Press **DISPLAY**. (Current time is displayed.) Each additional press of **DISPLAY** increases start time by 30 minutes.

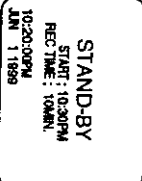


- 3 Press **DOWN** to select **REC TIME**. Press **DISPLAY** repeatedly select one of the options shown left.



To cancel the setup, press **MENU** twice.

Press **RECORD/PAUSE** to place Camcorder in stand-by mode.

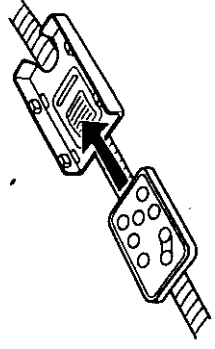


- 4
- Note:
- Start time may not exceed 24 hours from time set.
 - Camcorder shuts off at tape end, or 12 hours after Interval Recording starts.
 - To cancel, set POWER to OFF.

Camera Recording

Multi-Function Remote Control

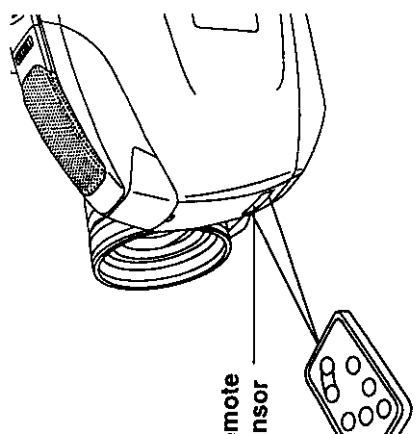
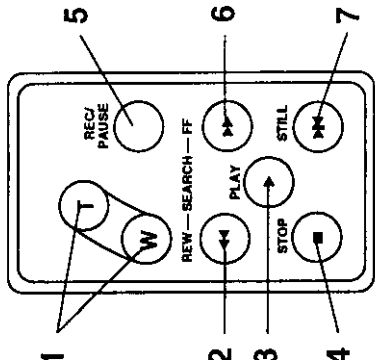
Remote Control Holder



When not in use, slide remote into its shoulder strap holder (page 14).

Remote Control Operation

Operates Camcorder main functions up to about 16 feet (5 m) away. remote at sensor on Camcorder.



Controlled Functions

- 1 POWER ZOOM Button page 32.
- 2 REWIND/SEARCH Button page 27.
- 3 PLAY Button page 27.
- 4 STOP Button See page 27.
- 5 RECORD/PAUSE Button page 21.
- 6 FAST FORWARD/SEARCH Button page 28.
- 7 STILL Button page 28.

Important Note:

- After 5 minutes in Rec/Pause mode, Camcorder shut off to conserve battery. If recording is resumed within 30 minutes, simply press REC/PAUSE more than 1 second. If over 30 minutes, set POWER to OFF, then CAMERA, then press REC/PAUSE.

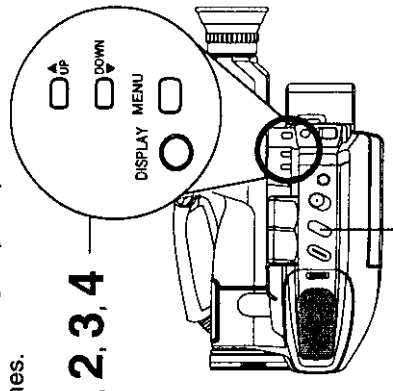
For assistance, call 1-800-211-PANA(7262).

Fade In/Out

Auto Fade (Black or White only)

An interesting way to open and close scenes.

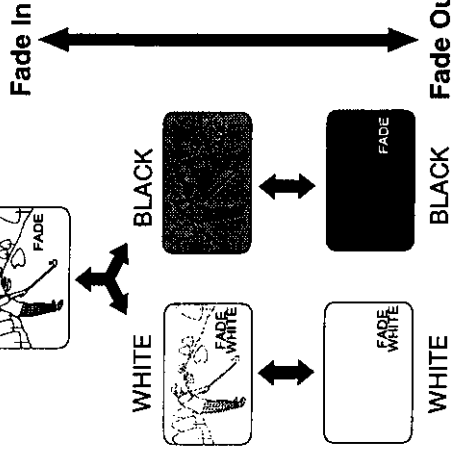
1, 2, 3, 4



Before you begin...

- Connect Camcorder to power source.
- Set POWER to CAMERA.

- 1 Press **MENU** for MENU mode. Press **UP** or **DOWN** to select **VIDEO EFFECTS**.
- 2 Press **DISPLAY** for VIDEO EFFECTS menu. Press **UP** or **DOWN** to select **AUTO FADE**.
- 3 Press **DISPLAY** for AUTO FADE menu. Press **UP** or **DOWN** to select **BLACK** or **WHITE**.
- 4 Press **DISPLAY** to confirm entry. Press **MENU** twice to exit.



Special Features

- Fade In:**
- In RECORD/PAUSE mode, press **FADE** so "FADE" flashes in EVF.
 - Press **RECORD/PAUSE**.
 - Recording starts as picture and sound gradually fade in.
- Fade Out:**
- While recording, press **FADE** so "FADE" flashes in EVF.
 - Press **RECORD/PAUSE**.
 - Picture and sound gradually fade out, and recording is paused.
- If **FADE** is pressed accidentally, press again so "FADE" disappears in EVF.

High Speed Shutter

Improves Still or Slow Motion playback picture of high speed subjects (e.g. a tennis stroke), when viewed on Camcorder or 3 or 4 head VCR.

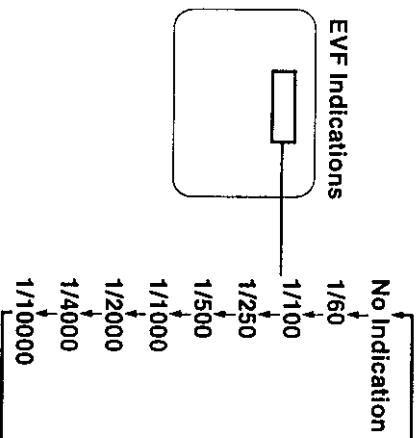
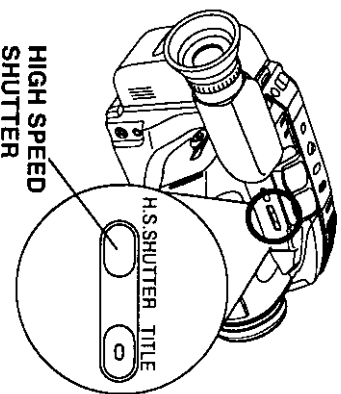
Auto Shutter

In AUTO mode (no indication in EVF), shutter speed is auto-adjusted from 1/60 to 1/350 according to subject brightness.

- AUTO mode is selected each time POWER is set to CAMERA.

Manual Selection

The faster the shutter speed, the more light is needed for proper picture and color quality. High Speed Shutter indication flashes if light is inadequate. Provide additional light.



Before you begin...

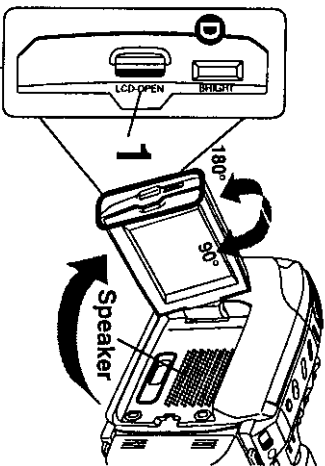
- Connect Camcorder to power source.
- Set POWER to CAMERA.
- Insert cassette with record tab (page 13).

Press **HIGH SPEED SHUTTER** while recording.
Press repeatedly for shutter speed. (See below, left.)

- Note:**
- Provide additional halogen or tungsten light for use indoors or in poor light. Fluorescent light degrades picture.
 - Auto Focus may not function properly if high speed shutter is used in inadequate light.
 - Setting reverts to AUTO each time POWER is set to CAMERA.

Playing Back Recording

Playback on EVF or LCD Monitor



Before you begin...

- Connect Camcorder to power source.
- Insert recorded tape.

1 Press **LCD-OPEN** and swing LCD monitor fully open.

2

Set POWER to VCR.

- If tape has no record tab, auto playback begins.
- LCD monitor turns on/off by the POWER switch.
- Viewfinder shuts off when LCD is fully opened and turns back on when LCD is locked closed.
- Return LCD monitor to locked position when not in use.

3

Playback function buttons.

- A** REWIND : rewind tape.
- B** PLAY : play tape.
- C** STOP : stop tape.
- D** BRIGHT : adjust LCD brightness.
- E** VOLUME : Adjust volume of speaker, or earphone if connected.

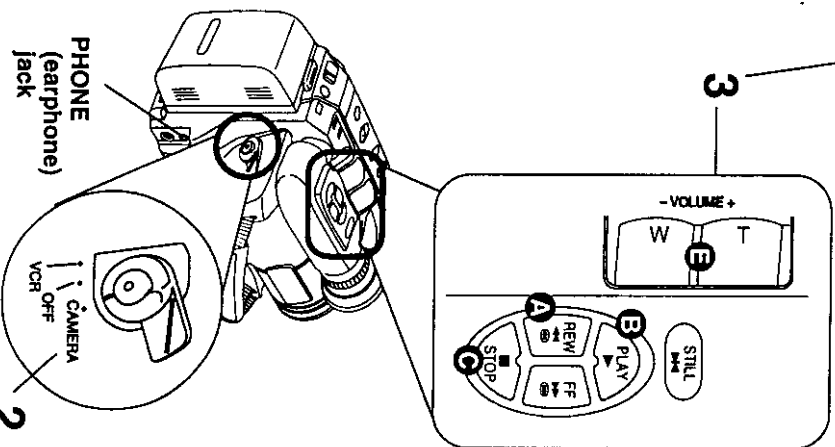
Press "T" : Volume up.
Press "W" : Volume down.



4

Lock LCD monitor closed. (EVF turns on.)

- Note:**
- Using LCD reduces battery operating time.
 - When earphone (M3 type not supplied) is connected to PHONON jack, speaker is muted.



Laying Back Recordings

Special Effects

Before you begin...

- Connect Palmcorder to power source.
- Insert recorded tape.
- Set POWER to VCR.

Quick Visual Search

During playback, press:
FF : fast forward search
REW : rewind search
 Press again or **PLAY** for normal play.

Still Picture

Press **STILL** to freeze picture.
 Press again for normal play.
 This feature works best in SLP mode (pages 13, 21).

Search Speed

SP (Standard Play) : 3 times normal.
SLP (Super Long Play) : 9 times normal.

During search, horizontal noise bars will appear. Audio is muted.
 Protect video heads and tape, operating modes will revert as follows after 5 minutes:
 → Stand-by
 → Power off (when Battery Pack is used).
 → auto-rewinds if played or fast forwarded to end.

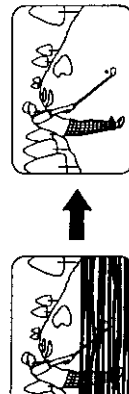
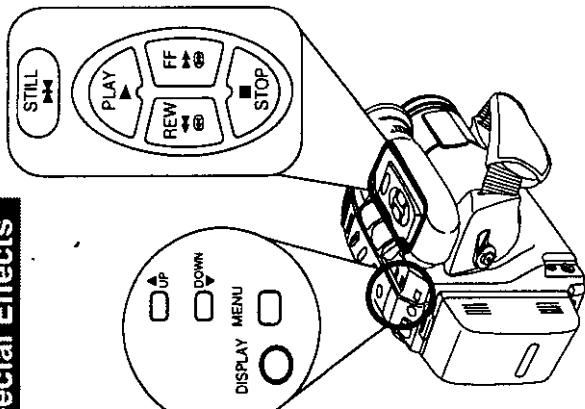
Tracking Control

Auto Tracking

Continuously analyzes each recording for optimum picture quality.

Manual Tracking

Some recordings require manual adjustment to reduce noise.
 Press **UP** ▲ or **DOWN** ▼ until Playback picture clears up.
 Press **DISPLAY** to return to Auto Tracking.



Focus

Auto Focus

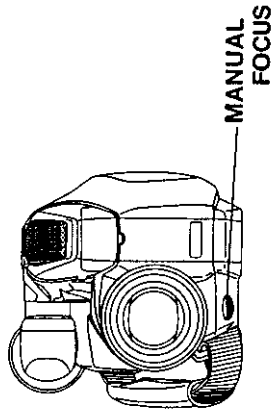
Before you begin...

- Connect Camcorder to power source.
- Set POWER to CAMERA.

Camcorder automatically focuses on subject even during zooming.

Auto Focus is on when "MF" is not displayed in EVF. Press **MANUAL FOCUS** to remove "MF" in EVF if necessary.

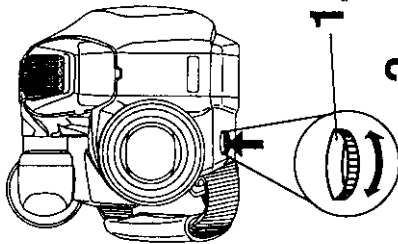
- subject is not centered in Viewfinder.
- subject has shiny surface.
- subject is slanted.
- subject is bright and flat, like a white wall.
- subject has fast motion, like a golf swing.



Manual Focus

Use Manual Focus (MF) when :

- recording through glass.
- lighting is poor.
- subject is far away with objects in foreground.
- subject has distinct horizontal lines.



1

Press **MANUAL FOCUS** so "MF" (Manual Focus) appears in EVF.

EVF Indication



2

Hold down "T" (telephoto) on **POWER ZOOM** to maximum zoom in.

3

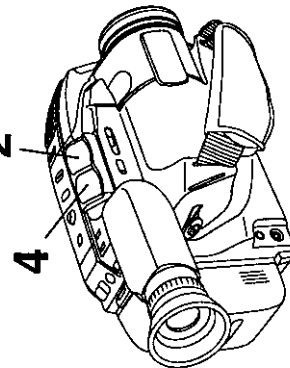
Turn **MANUAL FOCUS** until subject is in focus.

- Back away from subject if necessary.

4

Hold down "W" (wide angle) on **POWER ZOOM** as desired.

- Refocus as needed when aiming at new scenes.



Macro Focus (close-ups)

Auto Focus functions up to 1/2 inch (12.7mm) from subject.
 Hold down "W" on **POWER ZOOM** to maximum wide angle.
 Bring Camcorder up close to the subject.