

FCC/MELLON

JAN 0 8 1999

EXHIBIT #6
Fty control No. : KM698-F008
FCC ID : ACJ5Z6KX-P3196

**Compliance Statement Wording
&
Caution Sentence in Interfacing
Of Operating Instruction
(User's Information)**

EXHIBIT #6
Fty control No. : KM698-F008
FCC ID : ACJ5Z6KX-P3196

• C o m p l i a n c e S t a t e m e n t W o r d i n g

FOR USER IN THE UNITED STATES ONLY

This equipment has been tested and found to comply with the limits for a Class B digital device, pursuant to Part 15 of FCC Rules. These limits are designed to provide reasonable protection against harmful interference in a residential installation.

This equipment generates, uses and can radiate radio frequency energy and, if not installed and used in accordance with the instructions, may cause harmful interference to radio communication. However, there is no guarantee that interference will not occur in a particular installation. If this equipment does cause harmful interference to radio or television reception, which can be determined by turning the equipment off and on, the user is encouraged to try to correct the interference by one or more of the following measures:

- Reorient or relocate the receiving antenna.
- Increase the separation between the equipment and receiver.
- Connect the equipment into an outlet on a circuit different from that to which the receiver is connected.
- Consult the dealer or an experienced radio/TV technician for help.

The user may find the booklet "Something About Interference" available from FCC local regional offices helpful.

FCC Warning: To assure continued FCC emission limit compliance, the user must use only the recommended shield interfacing cable when connecting to a host computer. Also, any unauthorized changes or modifications to this equipment would void the users authority to operate this device.

• C a u t i o n S e n t e n c e i n I n t e r f a c i n g

The following caution sentence is printed in the interface
Specification of the operation instruction.

*Cable: use a shielded cable (6'5" / 1.95 meters) or less in length.

EXHIBIT #6
 Fty control No. : KM698-F008
 FCC ID : ACJ5Z6KX-P3196

Specification

Interface	Centronics Parallel RS-232C Serial
Font	3 Draft, 4 NLQ, 8 Bar Code
Software Emulation	Epson FX-880 IBM Pro-Printer III Oki ML320 Turbo (w/o Scalable)
Buffer	64KB Text Buffer (User Changeable)
Character Set	Epson mode 1 Italic and 18 Character Set tables. 15 International Character and LEGAL Set. IBM mode 18 Character Set tables.
Print Speed	Draft (CPS) 10cpi:333 12cpi:400 15cpi:500 NLQ (CPS) 10cpi:111 12cpi:133 15cpi:166
Print Direction	Logic Seeking Bi-Directional Character
Line Feed Speed	Less than 70ms (per 1/6")
Paper Path	Bottom, Rear and Top
Environmental	Operation 41~104° F (5~40°C) 20~80 %RH Storage -5~140° F (-20~60°C) 10~90 %RH
Paper Width	Fanfold Sheet 3~10 inch Single Sheet 4~11.7 inch Continuous Labels 3~10 inch Envelop #6,#10
Paper Weight	Fanfold Sheet 12~24 lbs Single Sheet 14~24 lbs
Paper Thickness	0.017 inch Max. (Bottom) 0.014 inch Max. (Rear)
Print Width	8 inch
Dimensions	450(W) × 382(D) × 184(H)mm
Weight	Approx. 8 Kg
Power , Frequency , Current	Refer to nameplate on the rear of the printer

Interfacing

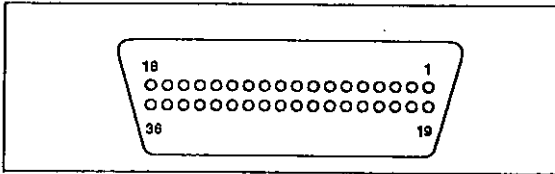
This information should be provided to the company from which you are purchasing the Printer Cable to ensure the proper wiring of the cable.

Parallel Interfacing

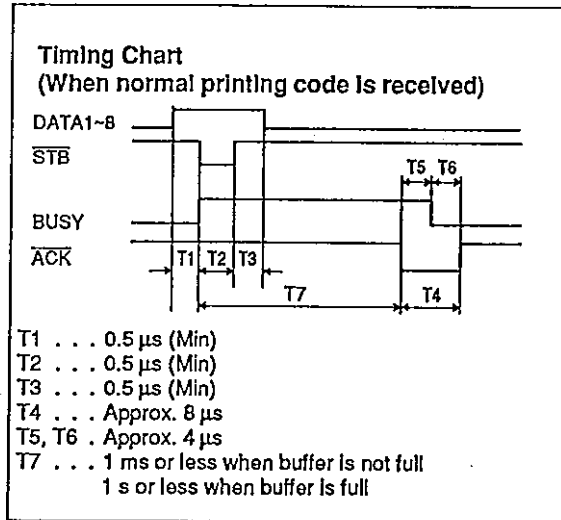
A method of transferring data from a computer to a printer through a parallel interface is based on the Centronics Standard.

Specifications:

- data transfer speed: 1000 cps minimum
- synchronization: external STROBE pulse
- logic levels: TTL (Transistor-Transistor-Logic) levels
- handshaking: BUSY and $\overline{\text{ACK}}$ signals
- connector type: 57-30360 (AMPHENOL) or equivalent
- cable: use a shielded cable 6'5" (1.95 m) or less in length.



Parallel Interface Connector (printer side)



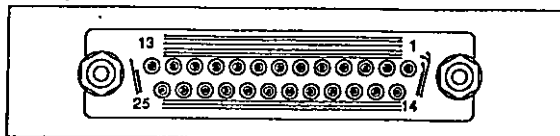
Timing Diagram

Signal pin	Return side pin	Signal	Direction
1	19	STB	Input
2	20	DATA 1	
3	21	DATA 2	
4	22	DATA 3	
5	23	DATA 4	
6	24	DATA 5	
7	25	DATA 6	
8	26	DATA 7	
9	27	DATA 8	
10	28	ACK	Output
11	29	BUSY	
12		PO	
13		SLCT	
14		AUTO FEED XT	Input
15			
16		SG	
17		FG	
18		+5 V	Output
31	30	PRIME	Input
32		ERROR	Output
33			
34			
35			
36		SLCT IN	Input

Pin Configuration

Serial Interfacing

- cable: use a shielded cable 6'5" (1.95 m) or less in length.



Serial Interface Connector (printer side)

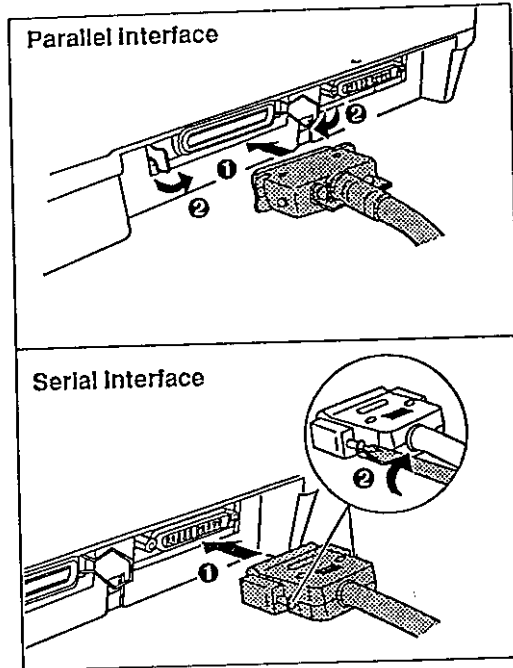
Signal pin	Signal	Direction
1	FG	
2	TXD	OUTPUT
3	RXD	INPUT
7	SG	
20	DTR	OUTPUT

Pin Configuration

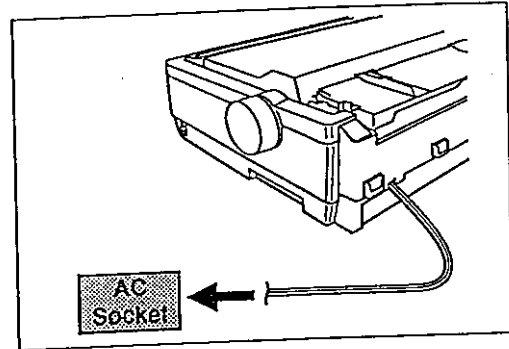
Connecting to a Computer

1 Turn the power off of both the printer and the computer.

2 Attach other end of the interface cable from your computer.



3 Connect the AC power cord to a grounded AC socket.



Note:
• If the printer is not going to be used for an extended period, unplug the power cord.

Note:

- Use a shielded cable 6'5" (1.95 m) or less in length for both of parallel and serial. If you do not already have an interface cable, you will need to purchase one from your local computer store or dealer. For details, refer to "Interfacing" (P. 34).
- If the cable has a frame ground wire, connect it to the frame ground terminal.

