

# Panasonic®

## Operating Instructions

### Electronic Board (elite Panaboard)

Model No. UB-T880  
UB-T880W



Stand is sold separately.

#### Installation Manual Included (for qualified service personnel)

- To assemble this unit, please refer to the Installation Manual on pages 35 through 55.
- Before operating this unit, please read these instructions completely and keep them carefully for future reference.
- This unit is designed for installation by a qualified servicing dealer. Installation performed by non-authorized individuals could cause safety-related problems with the operation of this equipment.

#### For U.S.A. only:

- To locate the closest authorized dealer in your area, please call 1-800-449-8989.

# Introduction

Thank you for purchasing the Panasonic Electronic Board.

**For optimum performance and safety, please read these instructions carefully.**

## Feature Highlights

By connecting the elite Panaboard to a computer and using a projector to display the contents of the computer's screen on the elite Panaboard, you can do the following.

### Touch and Electronic Pen Features

- Manipulate objects on the computer screen by using your finger as a mouse.
- Up to 3 people at once can draw or erase lines on the computer screen by using their fingers or electronic pens. (You cannot use more than one electronic pen at the same time.)  
Use the electronic pen to choose line colors and other options.
- Save what you draw on the computer screen as image files.
- Manipulate objects on the computer screen remotely by using the up and down buttons on the electronic pen.
- Supports Windows® 7 multi-touch functionality.

### elite Panaboard book

Use the elite Panaboard book software that supports elite Panaboard operations, such as writing, drawing, attaching images and computer operations. This software lets you save the contents of the screen on your computer and retrieve it for later use.

### In-built USB Speaker

The elite Panaboard has an in-built USB speaker. Sound can be heard through the USB speaker when it is connected to a computer.

### USB Hub Features

The elite Panaboard comes with a 2-port USB hub as standard. By connecting equipment such as scanners, printers, or external USB memory sources, you can use their respective features directly with the elite Panaboard. Input from the USB peripherals can be easily incorporated in whiteboard presentations.

## Usage Scenarios

### For Education

- Create an effective learning environment by using your finger for direct control of a variety of educational software projected onto the elite Panaboard. Write or draw on software screens with your finger or the electronic pen.
- With several tools at your disposal for aiding in explanations, such as illustration and marker tools, you can keep students' attention through a dynamic screen display.
- Draw your students' interest by using the screen shade feature to show questions to students while hiding the answers, and incrementally showing the rest of the screen.
- The teacher can prepare materials before class to display on the elite Panaboard.

**For Business**

- Visually convey your product's characteristics and create an appealing product presentation by displaying images and using your finger or the electronic pen to highlight key points.
- Information projected on the elite Panaboard at your company—including what you add, using your finger or the electronic pen—can be displayed in real-time at remote locations using videoconferencing equipment.

**Things you should keep a record of**

Attach your sales receipt here

| For your future reference |  |
|---------------------------|--|
| Date of purchase          |  |
| Serial number             |  |
| Dealer's name             |  |
| Dealer's address          |  |
| Dealer's tel no.          |  |

1

**Abbreviations**

- Windows® refers to the Microsoft® Windows® operating system.  
 Windows® XP refers to the Microsoft® Windows® XP operating system.  
 Windows Vista® refers to the Microsoft® Windows Vista® operating system.  
 Windows® 7 refers to the Microsoft® Windows® 7 operating system.  
 DirectX® refers to the Microsoft® DirectX® application programming interface.

**Trademarks**

- Microsoft, Windows, Windows Vista, DirectX, Windows Media, and Internet Explorer are either registered trademarks or trademarks of Microsoft Corporation in the United States and/or other countries.
- IBM is a trademark of International Business Machines Corporation in the United States, other countries, or both.
- Intel and Pentium are trademarks of Intel Corporation in the U.S. and other countries.
- Adobe, Reader and Flash are either registered trademarks or trademarks of Adobe Systems Incorporated in the United States and/or other countries.
- All other trademarks identified herein are the property of their respective owners.

## Help of the Software

Instructions for elite Panaboard software and elite Panaboard book (included) are provided in the help information accompanying the software.  
For details on accessing this information, see “Viewing the Help of the Software” (page 27).

## Federal Communications Commission and Industry Canada Requirements

### For United States and Canada Only

This device complies with Part 15 of FCC Rules and RSS-Gen of IC Rules.  
Operation is subject to the following two conditions: (1) this device may not cause interference, and (2) this device must accept any interference, including interference that may cause undesired operation of this device.

## Federal Communications Commission Requirements

### For United States Only

#### Note

This equipment has been tested and found to comply with the limits for a Class A digital device, pursuant to part 15 of the FCC Rules. These limits are designed to provide reasonable protection against harmful interference when the equipment is operated in a commercial environment. This equipment generates, uses, and can radiate radio frequency energy and, if not installed and used in accordance with the instruction manual, may cause harmful interference to radio communications. Operation of this equipment in a residential area is likely to cause harmful interference in which case the user will be required to correct the interference at his own expense.

#### **FCC Warning**

To assure continued FCC compliance, the user must use only shielded interface cable and the provided power supply cord. Also, any unauthorized changes or modifications to this equipment would void the user’s authority to operate this device.

#### **RF Exposure Warning:**

This Electronic Board may be used with below referenced optional low power 2.4 GHz USB Wireless Adaptor and Electronic Pen and may not be co-located or operated with any other antenna or transmitter. These transmitters comply with FCC radiation exposure limits set forth for uncontrolled environment/general population to meet the FCC radio frequency (RF) Exposure Guidelines in FCC/OET Bulletin 65, Supplement.

This satisfies RF exposure evaluation by calculated Maximum Permission Exposure (MPE) without the need for tested localized specific absorption rate (SAR) measurements.

## Industry Canada Requirements

### For Canada Only

This equipment complies with IC radiation exposure limits set forth for an uncontrolled equipment and meets RSS-102 of the IC radio frequency (RF) Exposure rules. This equipment has very low levels of RF energy that are deemed to comply without testing of specific absorption ratio (SAR).

## Warning about saving data

When the system storage device or any of its optional storage device is adversely effected by operational errors, static electricity, electrical noise, vibration, dust or when the power has been cut off due to malfunction, repair or inadvertently, the memory contents may be lost or changed. Before operating the system, make a point of reading the precautionary notes in the Operating Instructions and the help information, and observe them during operation.

**Please observe carefully the following precaution:**

- Make absolutely sure that all important data is saved by back-up or the original is saved.

The manufacturer hereby declares that it cannot be held accountable for any loss or change in any data stored on floppy disks, hard disks, optical disks, or other memory devices.

1

## System Requirements

|                  |  |
|------------------|--|
| <b>Computer</b>  | IBM® PC/AT compatible with a DVD-ROM drive |
| <b>CPU</b>       | Intel® Pentium® 4 processor or later       |
| <b>Interface</b> | USB 2.0                                    |

### Note

- For details about the system requirements, refer to “Read Me First” (page 22) in the install menu of the included DVD-ROM.

## Exemption of Liability

Panasonic System Networks Co., Ltd. is not responsible for accidents or injuries caused by, but not limited to, the following:

1. Altering the device or improper installation construction.
2. Using the device for purposes beyond its intended use.
3. Earthquake, fire, flood, tidal wave, hurricane, lightning or other natural phenomena.
4. Natural aging of the building or similar phenomena.

## For FRG Users (For Germany Only)

**Note**

Machine noise information regulation - 3.GPSGV, the maximum sound pressure level is 70 dB(A) or less, in conformity with EN ISO 7779.

This device is not intended for use in the direct field of view at visual display workplaces. To avoid incommoding reflexions at visual display workplaces this device must not be placed in the direct field of view.



# Table of Contents





|   |           |
|---|-----------|
| <b>For Your Safety</b> .....  | <b>8</b>  |
| For Your Safety .....   | 8         |
| For Users.....  | 8         |
| Safety Information (For United Kingdom only) .....                    | 11        |
| Precautions.....  | 12        |
| Other Information .....   | 13        |
| <b>Usage</b> .....  | <b>14</b> |
| Included Accessories .....  | 14        |
| Names and Uses of the Parts.....                                      | 15        |
| Connecting External Components.....                                   | 18        |
| Installing the elite Panaboard software/book .....                    | 22        |
| Setting the Projector .....   | 24        |
| Setting Your System (Calibration) .....                               | 25        |
| Starting the elite Panaboard software and Performing Calibration..... | 25        |
| Viewing the Help of the Software.....                                 | 27        |
| Uninstalling the elite Panaboard software/book .....                  | 27        |
| Download the Latest Software .....                                    | 27        |
| <b>Appendix</b> .....   | <b>28</b> |
| <b>Daily Care</b> .....   | <b>28</b> |
| Cleaning the elite Panaboard .....                                    | 28        |
| Replacing the Battery in the Electronic Pen .....                     | 28        |
| Replacing the Penpoint of the Electronic Pen .....                    | 29        |
| <b>Troubleshooting</b> .....  | <b>30</b> |
| <b>Specifications</b> .....   | <b>32</b> |
| Supplies & Accessories .....  | 34        |
| <b>Installation Manual</b> .....                                      | <b>35</b> |
| <b>Installation Manual (for qualified service personnel)</b> .....    | <b>35</b> |
| <b>For Your Safety</b> .....  | <b>35</b> |
| Notice .....  | 35        |
| <b>Included Accessories</b> .....                                     | <b>37</b> |
| <b>Wall Mounting Construction</b> .....                               | <b>39</b> |
| Checking the Wall.....  | 39        |
| Installing the Wall Mounting Plates.....                              | 40        |
| Wall Types and Installation Procedures .....                          | 42        |
| <b>Stand KX-B061 Assembly (Sold Separately)</b> .....                 | <b>44</b> |
| Included Parts.....   | 44        |
| Assembly Instructions.....  | 45        |
| <b>Assembly Instructions</b> .....                                    | <b>48</b> |
| Preparing for Removing the elite Panaboard from Its Packaging.....    | 48        |
| Assembling the elite Panaboard.....                                   | 49        |
| <b>Confirming the elite Panaboard Operation</b> .....                 | <b>54</b> |
| Confirming the Interactive Features .....                             | 54        |
| <b>Repackaging</b> .....  | <b>55</b> |




## For Your Safety

To prevent severe injury and loss of life, read this section carefully before using the unit to ensure proper and safe operation of your unit.

- This section explains the graphic symbols used in this manual.

|  |  |
|--|--|
|  <b>WARNING</b> | Denotes a potential hazard that could result in serious injury or death. |
|  <b>CAUTION</b> | Denotes hazards that could result in minor injury or damage to the unit. |

|  |   |
|--|---|
|    | These symbols are used to alert operators to a specific operating procedure that must not be performed. |
|   |   |

|   |  |
|---|--|
|    | These symbols are used to alert operators to a specific operating procedure that must be emphasized in order to operate the unit safely. |
|---|--|

## For Users

|   |
|---|
|  <b>WARNING</b> |
|---|

### Power and Ground Connection



The power source voltage of this unit is listed on the nameplate. Only plug the unit into an AC outlet with the proper voltage. If you use a cord with an unspecified current rating, the unit or plug may emit smoke or become hot to the touch.



When you operate this product, the power outlet should be near the product and easily accessible.



To ensure safe operation the power cord supplied must be inserted into a standard three-prong AC outlet which is effectively grounded (earthed) through the normal wiring.



The fact that the equipment operates satisfactorily does not imply that the power point is grounded (earthed) and that the installation is completely safe. For your safety, if in any doubt about the effective grounding (earthing) of the power point, consult a qualified electrician.



If the plug cannot be inserted into the AC outlet, contact a licensed electrician to replace the AC outlet with a properly grounded (earthed) one.



Do not defeat the grounding (earthing) plug (ex. do not use a conversion plug).





Plug the power cord firmly into an AC outlet. Otherwise, it can cause fire or electric shock.



Do not pull, bend, rest objects on, or chafe the power cord and plug. Damage to the power cord or plug can cause fire or electric shock.



Do not attempt to repair the power cord or plug. If the power cord or plug is damaged or frayed, contact an authorized service representative for a replacement.



Ensure that the plug connection is free of dust. In a damp environment, a contaminated connector can draw a significant amount of current that can generate heat and eventually cause fire if left unattended over an extended period of time.



Never touch the plug with wet hands. Danger of electric shock exists.



Stop operation immediately if the unit emits smoke, excessive heat, abnormal smell or unusual noise. These conditions can cause fire or electric shock. Immediately turn the unit off and unplug the power cord, and contact your dealer for service.



When disconnecting the unit, grasp the plug instead of the cord. Pulling on a cord forcibly can damage it and cause fire or electric shock.



During thunderstorms, do not touch the unit and plug. It may cause an electric shock.

## Installation and Relocation



Have the unit installed, removed and disposed of only by qualified service personnel.



When the unit will no longer be used, in order to prevent it from falling, do not leave the unit installed, but remove it. If the unit falls, it can cause injury.

## Operating Safeguards



If metal fragments or water gets into the unit, turn the unit off and unplug the unit immediately. Contact your dealer for service. Operating the contaminated unit can cause fire or electric shock.



Never open or remove unit covers that are screwed with screws unless specifically instructed in the "Operating Instructions". A high-voltage component can cause electric shock.



Do not alter the unit or modify any parts. Alteration or modification can cause fire or electric shock.



### CHOKING HAZARD

Keep the penpoint and battery out of reach of children to prevent swallowing.

## Battery



Use only the specified type of battery. Using the incorrect type of battery can result in overheating/burning or leakage of battery acid.

**For Your Safety**



Make sure that the battery is installed with the correct polarity as indicated on the battery holder. Incorrectly installed batteries may burst or leak, resulting in injuries.



Batteries that seem worn down or damaged should not be used. Using worn down or damaged batteries may result in leaking.



Do not charge, short, heat, break or throw in a fire, as it may result in the battery leaking, generating heat, or bursting.



When disposing of the battery, cover the battery contacts with insulation (ex. tape). Direct contact with other batteries may result in leaking, fire, or explosion.



Do not solder the battery, as it may result in the battery leaking, generating heat, or bursting.

**Electronic Pen / elite Panaboard**



Do not use near medical equipment. (Do not bring into a surgery room, intensive care unit, critical care unit, etc.) Electromagnetic waves generated by this device can affect equipment, and can cause equipment to malfunction.



Do not use near automatic doors, smoke detectors and other automatically controlled equipment. Electromagnetic waves generated by this device can affect equipment, and can cause equipment to malfunction.



Use at least 20 cm (8 in.) away from pacemakers. Electromagnetic waves generated by this device can affect the operation of pacemakers.

**CAUTION**

**Power**



When the unit is not used over an extended period of time, switch it off and unplug it. If an unused unit is left connected to a power source for a long period, degraded insulation may cause electric shock, current leakage, or fire.



The unit should be used only with the power cord enclosed with the unit.

**Installation and Relocation**



Do not position the unit in a location where it is unstable.



Do not place the unit in a hot humid or dusty environment. Prolonged exposure to these adverse conditions may cause fire or electric shock.



To prevent fire or shock hazard, do not expose this unit to rain or any type of moisture.



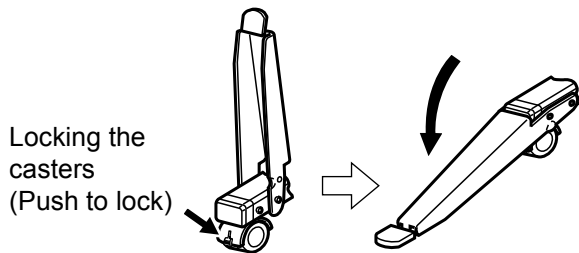
When moving the unit, be sure to unplug the power cord from the AC outlet. If the unit is moved with the power cord attached, it can cause damage to the cord which could result in fire or electric shock.



Move this unit with two persons. Otherwise, this unit may fall down and cause injury.



After installing or moving the unit, lock the casters and set the fall-prevention extension legs.



## Operating Safeguards



If the unit falls down or gets damaged, turn the unit off and unplug the power cord. Otherwise, it may cause fire or electric shock.





Do not lean against the screen or on the cover (lower), even if the unit is mounted on the wall.

## Battery



When the unit is not used over an extended period of time, take the batteries out of the unit. Otherwise, the batteries may leak. Do not use the leaked batteries.

## Safety Information (For United Kingdom only)

This appliance is supplied with a moulded three pin mains plug for your safety and convenience. A 5 amp fuse is fitted in this plug. Should the fuse need to be replaced, please ensure that the replacement fuse has a rating of 5 amps and that it is approved by ASTA or BSI to BS1362. Check for the ASTA mark  or the BSI mark  on the body of the fuse. If the plug contains a removable fuse cover, you must ensure that it is refitted when the fuse is replaced. If you lose the fuse cover the plug must not be used until a replacement cover is obtained. A replacement fuse cover can be purchased from your local Panasonic Dealer.

IF THE FITTED MOULDED PLUG IS UNSUITABLE FOR THE SOCKET OUTLET IN YOUR PREMISES, THEN THE FUSE SHOULD BE REMOVED AND THE PLUG CUT OFF AND DISPOSED OF SAFELY. THERE IS A DANGER OF SEVERE ELECTRICAL SHOCK IF THE CUT OFF PLUG IS INSERTED INTO ANY 13 AMP SOCKET.

If a new plug is to be fitted, please observe the wiring code as shown below. If in any doubt, please consult a qualified electrician.

### **WARNING**

This appliance must be earthed.

### **IMPORTANT**

The wires in this mains lead are coloured as follows:

|                   |         |
|-------------------|---------|
| Green-and-Yellow: | Earth   |
| Blue:             | Neutral |
| Brown:            | Live    |

## For Your Safety

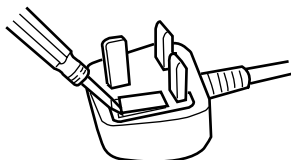
As the colours of the wire in the mains lead of this apparatus may not correspond with the coloured markings identifying the terminals in your plug, proceed as follows.

The wire that is coloured GREEN-AND-YELLOW must be connected to the terminal in the plug which is marked with the letter E or by the Earth symbol  $\perp$  or coloured GREEN or GREEN-AND-YELLOW.

The wire that is coloured BLUE must be connected to the terminal in the plug that is marked with the letter N or coloured BLACK.

The wire that is coloured BROWN must be connected to the terminal in the plug which is marked with the letter L or coloured RED.

### How to replace the fuse:



Open the fuse compartment with a screwdriver and replace the fuse and fuse cover.

## Precautions

Any changes or modifications not expressly approved by the party responsible for compliance could void the user's authority to operate this device.

### About Using the Battery

If a battery is used improperly, the battery may leak, causing corrosion of the unit, or it may burst. To prevent this, always follow the precaution given below.

- If the electronic pen ceases to function because the battery has run out, remove it immediately and dispose of it according to local regulations. Leaving a drained battery in the electronic pen may result in leakage.

### About Disposing of the Battery

#### For Brazil



Após o uso as pilhas / baterias contidas neste produto poderão ser dispostas em lixo doméstico.

#### For Taiwan (台灣)



廢電池請回收

## Other Information

### Usage Note

Operating the elite Panaboard near electrical appliances may cause interference. Move away from the electrical appliances such as TVs, radios, cordless phone, or wireless devices.

### MEDICAL

Consult the manufacturer of any personal medical devices, such as pacemakers, to determine if they are adequately shielded from external RF (radio frequency) energy. (The unit operates in the frequency range of 2.402 GHz to 2.481 GHz, and the power output level is 0.001 watts.) Do not use the unit in health care facilities if any regulations posted in the area instruct you not to do so. Hospitals or health care facilities may be using equipment that could be sensitive to external RF (radio frequency) energy.

**No responsibility will be taken by our company with respect to consequences resulting from the use, damage or both of the equipment.**

### For European Union (EU)

Panasonic System Networks Co., Ltd. declares that this equipment is in compliance with the essential requirements and other relevant provisions of Radio & Telecommunications Terminal Equipment (R&TTE) Directive 1999/5/EC. Declarations of Conformity for the relevant Panasonic products described in this manual are available for download by visiting:

**<http://www.doc.panasonic.de>**

Contact to Authorised Representative:

Panasonic Testing Centre




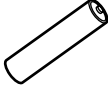
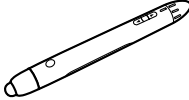



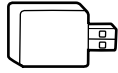
Panasonic Marketing Europe GmbH

Winsbergring 15, 22525 Hamburg, Germany

## Included Accessories

Check that all of the following items are included with your elite Panaboard.  
In the event that an item is missing, please contact your dealer.

### List of Accessories

|   |   |   |   |   |   |
|---|---|---|---|---|---|
| Power Cord<br>(3 m [9 ft. 10 1/8 in.])  | 1 | USB Cable<br>(5 m [16 ft. 4 7/8 in.])   | 1 | Software DVD-ROM  | 1 |
|    |   |    |   |    |   |
| AAA Battery (LR03)<br>(Disposable)  | 1 | Electronic Pen  | 1 | Penpoint<br>(Replacement)   | 2 |
|    |   |    |   |    |   |
| Operating Instructions<br>(this document)   | 1 | Warranty  | 1 | 2.4 GHz USB<br>Wireless Adaptor*  | 1 |
|  |   |  |   |  |   |

\* A 2.4 GHz USB Wireless Adaptor is preinstalled on the elite Panaboard.  
FCC ID: ACJ5Z6UE-608049 / IC: 216A-UE608049

#### Note

- The illustration of the power cord shown above is for the United States. The shape of the plug may vary depending on country/area.
- Stand is sold separately.
- Store the extra penpoint along with this operating manual.
- Replacement penpoints are available for purchase separately (page 34).
- The warranty may not be included depending on country/area.

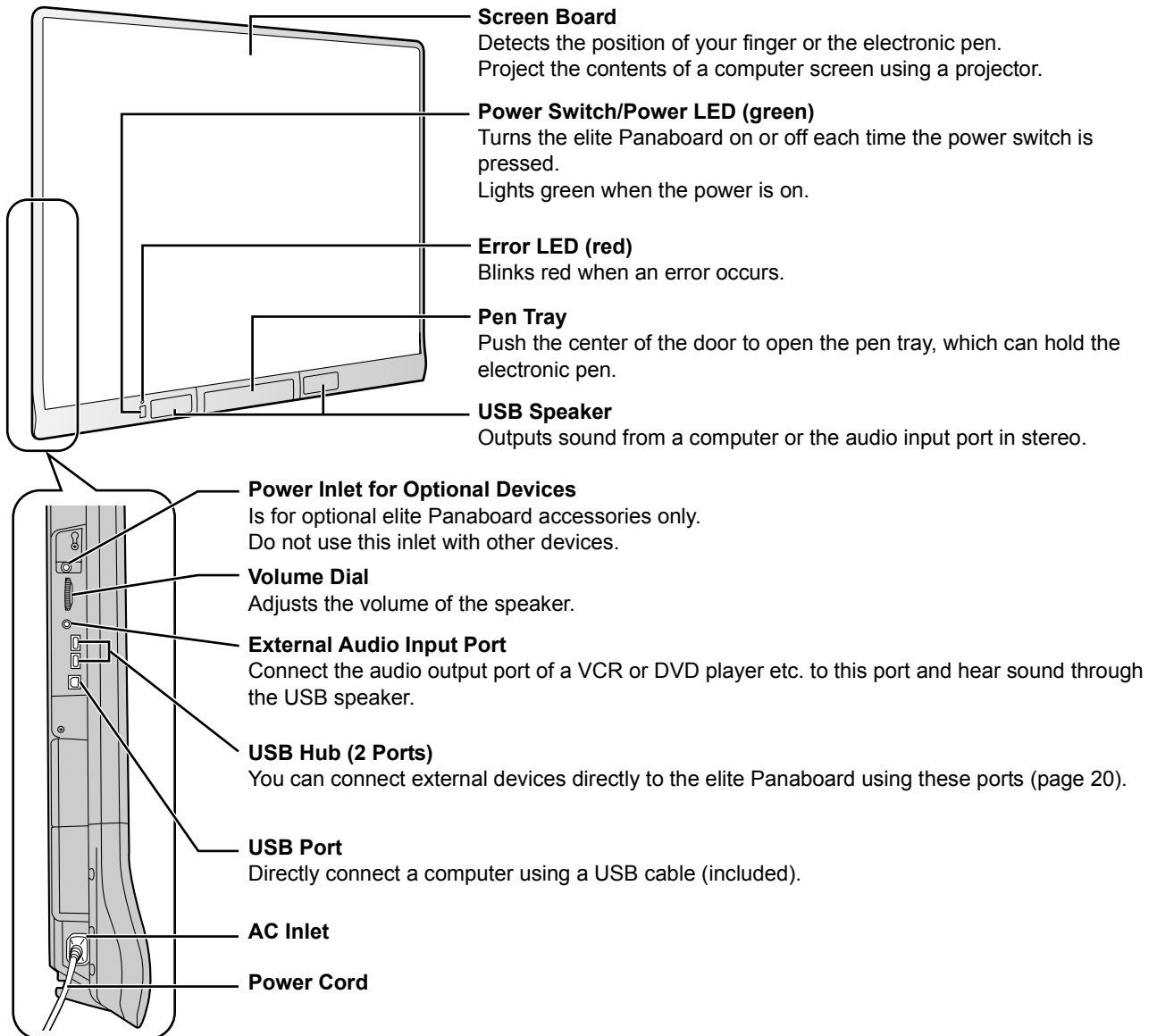
### About Using the DVD-ROM

To prevent damage to the DVD-ROM:

- Do not touch or write on the surface of the disc.
- Do not leave the disc out of the protective case.
- Do not leave the disc in the direct sunlight or near heat sources.
- Do not place heavy objects on the disc case or drop the case.
- To clean the disc, hold the disc by its edges and wipe it from the center to the edges with a dry, soft cloth.

# Names and Uses of the Parts

## Screen



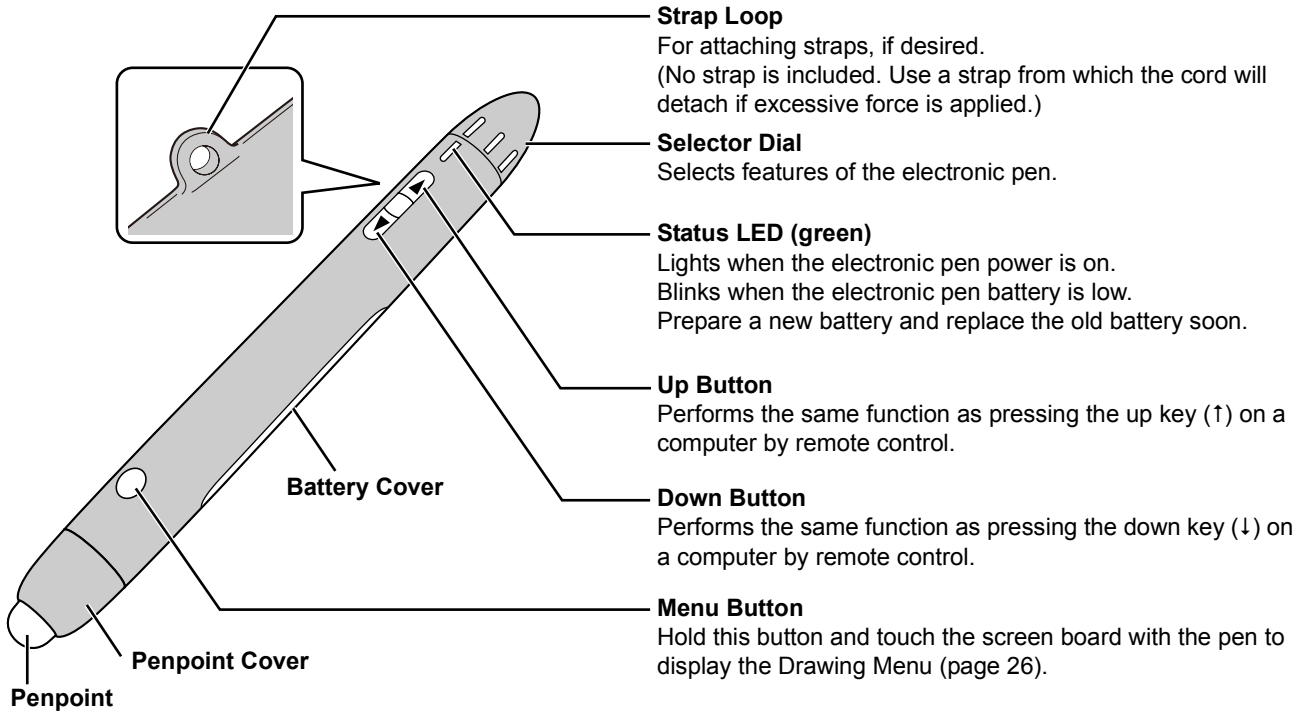
### Notice

- The operation of external devices connected via the USB hub is not guaranteed.
- External devices connected via the USB hub that require a lot of power, such as scanners or CD/CD-Rs, may not operate properly. For more information, please consult the relevant dealer.

### Note

- The elite Panaboard detects a change in electrostatic capacitance when touched by your finger. For this reason, it may not react to fingernails, gloved hands, or the electronic pen when a glove is worn.





## Electronic Pen



**Note**

- The up and down buttons can be used in a range of approximately 10 m (approximately 30 ft.) from the elite Panaboard (without obstructions).

**Electronic Pen Features**

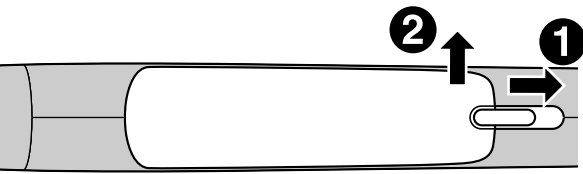
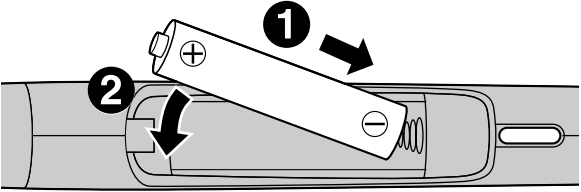
|  |  |
|--|--|
| <br><b>Black/Red/Blue/Green</b>     | Draws with a marker in the selected color.<br>Marker line thickness and other settings can be specified in the Drawing Menu.   |
| <br><b>Eraser</b>                   | Erases marker lines that you have drawn.<br>Eraser size and other settings can be specified in the Drawing Menu.   |
| <br><b>Yellow/Yellow-Green/Pink</b> | Highlights with a highlighter in the selected color.<br>Highlighter line thickness and other settings can be specified in the Drawing Menu.  |
| <br><b>Low-Power Mode</b>           | Puts the electronic pen in low-power mode.<br>The pen detects motion to turn itself on or off automatically. To conserve battery power, put the pen in low-power mode before carrying it while walking, when it is not in use. |

**Notice**

- To avoid operating errors, do not touch the penpoint when the electronic pen is not in use.



## Inserting (Replacing) Batteries

|   |  |
|---|--|
| <p><b>1. Unlock the battery cover ( ), and open the cover ( ).</b></p>  <ul style="list-style-type: none"> <li>• When replacing the cover, follow the procedure in reverse.</li> </ul> | <p><b>2. Insert (replace) the battery, and then reattach the cover and lock it.</b></p>  <ul style="list-style-type: none"> <li>• Make sure to use a AAA alkaline battery, and ensure that ° and ~ face the correct directions.</li> <li>• Dispose of expired batteries quickly, by covering the terminals in tape and following the disposal regulations in your country/area.</li> </ul> |
|---|--|

1

## Registering the Electronic Pen

The elite Panaboard automatically detects electronic pens within approximately 10 m (approximately 30 ft.), but if other electronic whiteboards are nearby, electronic pens for those whiteboards may be detected accidentally. Similarly, other electronic whiteboards may detect electronic pens for the elite Panaboard. In the following cases, register the electronic pen to the elite Panaboard.

- Buttons on the electronic pen are unresponsive
- The elite Panaboard responds to the electronic pen as if you were touching the elite Panaboard with your finger
- The elite Panaboard responds as if you were operating it, but you are not
- elite Panaboard operation is erratic

Once you register an electronic pen, it cannot be used with another electronic whiteboard. (The whiteboard responds as if you were touching it with your finger instead of the electronic pen.)

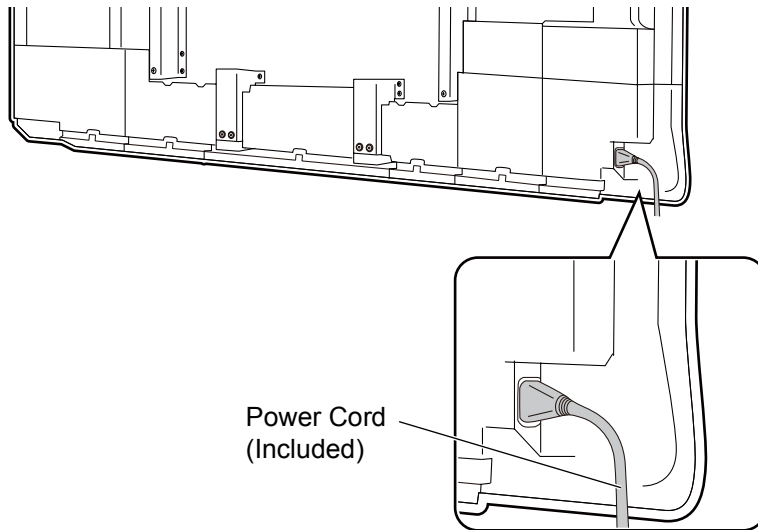
To use registered electronic pens with another electronic whiteboard, unregister the pens.

See “Registering the Electronic Pen” and “Unregistering the Electronic Pen” in “Software Help” for instructions on registering and unregistering the electronic pen.

For details on accessing the help information, see “Viewing the Help of the Software” (page 27).

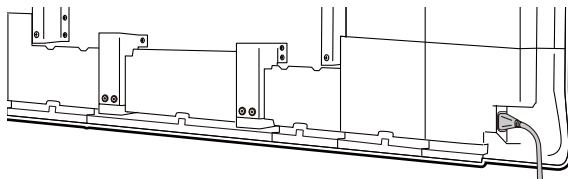
## Connecting External Components

1. Connect the power cord (included) to the elite Panaboard, and plug the power cord into an AC outlet.

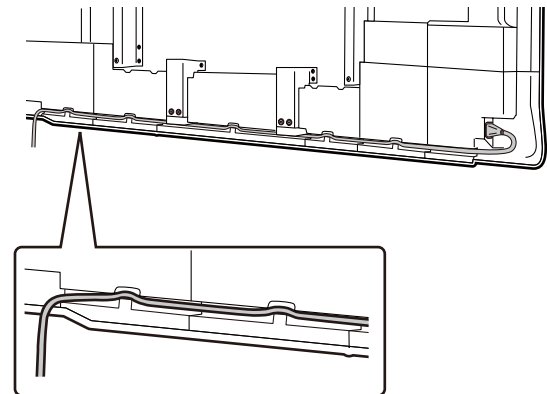


- Plug the power cord into an outlet that is close to the elite Panaboard and in a location that is easy to unplug.
- If you are using the optional stand, plug the power cord into the AC inlet, and secure the cord as shown in the illustrations below.

When attaching the power cord downward.



When attaching the power cord along the lower side of the elite Panaboard.



### • About Grounding

If you cannot connect the grounding line, contact your dealer. The cost of installing a grounding connection is not included in the price of the elite Panaboard.

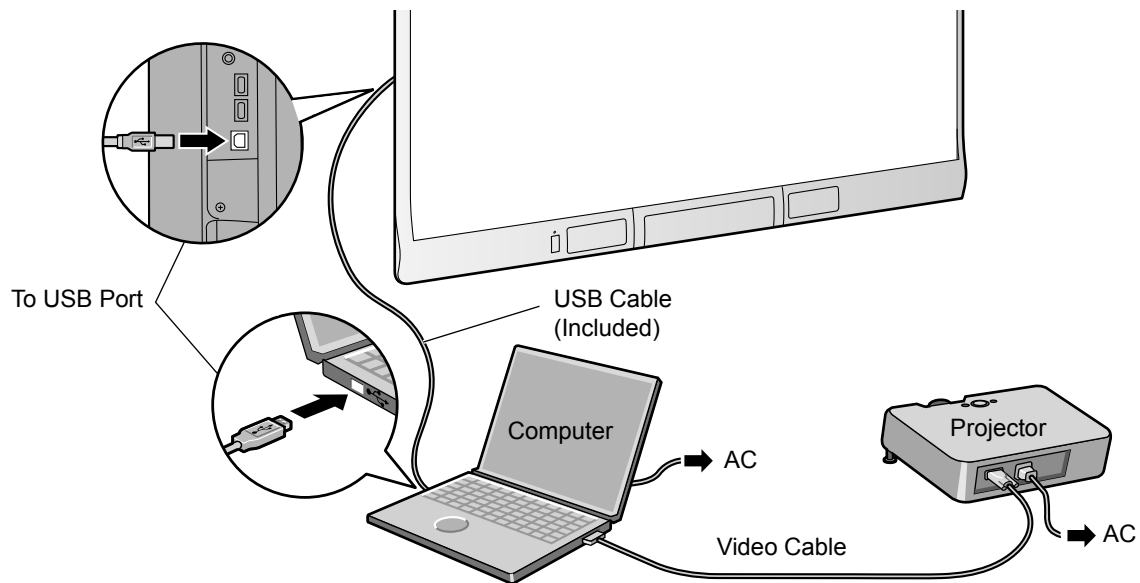
- The included power cord is exclusively for use with the elite Panaboard. Do not use it with any other devices.

**2. Connect the elite Panaboard to a computer using the USB cable (included).**

- elite Panaboard: Plug the B connector (smaller connector) into the elite Panaboard's USB port.
- Computer: Plug the A connector (larger connector) into a USB port on the computer.
- Do not connect the elite Panaboard via a USB hub. This could result in erroneous operation.

**Notice**

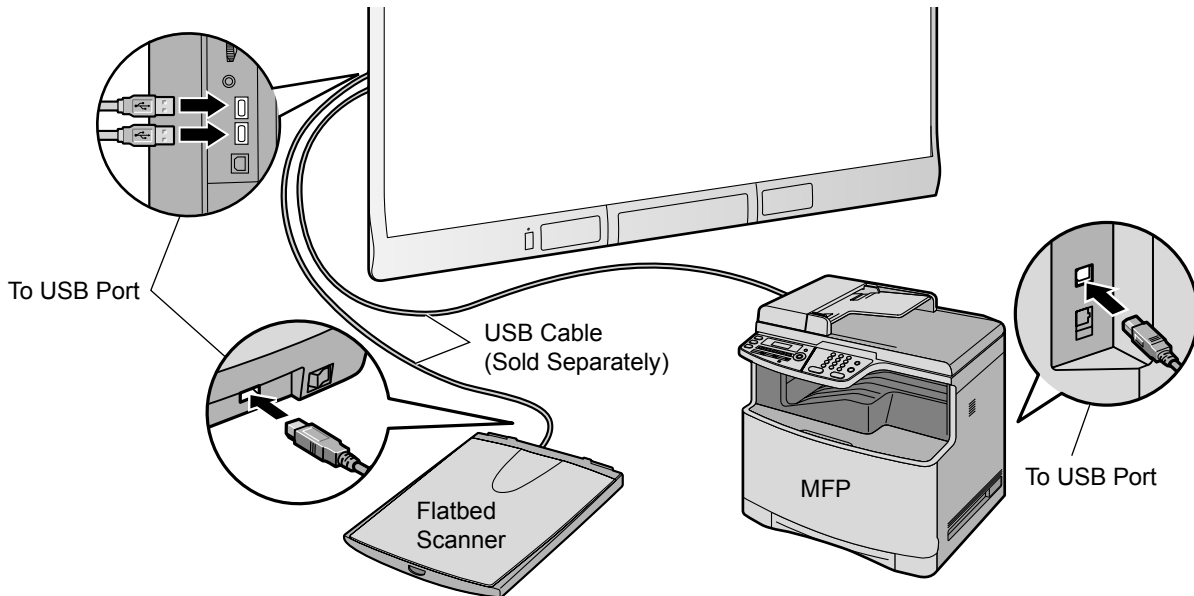
- Do not connect the elite Panaboard to a computer via USB unless elite Panaboard software/book is installed.  
Only connect the USB cable after following the steps in "Installing the elite Panaboard software/book" (page 22) to install the software.

**3. Connect the computer to a projector.**

- For instructions on connecting your computer and projector, refer to the respecting instruction manuals.

## Connecting External Devices

1. **Connect the external device to the elite Panaboard using a USB cable (sold separately).**
  - elite Panaboard: Plug the A connector (larger connector) into the elite Panaboard's USB port.
  - External device: Plug the B connector (smaller connector) into a USB port on the external device.



## About the Usage Location

- Do not place the elite Panaboard where it is directly exposed to sunlight.
- Do not use the elite Panaboard in a location less than 10 °C (50 °F) or in a location subject to extreme changes in temperature.

### **Note**

- The elite Panaboard may not work properly when used in one of the above locations.
- Operating the elite Panaboard near electrical appliances may cause interference. Move away from the electrical appliances.

---

## Volume Control

- The volume of the USB speaker on the elite Panaboard can be controlled using the Volume Dial, the volume of Windows, and the volume of the application being used. To adjust the volume, use the Volume Dial, or adjust the volume of the application.

## Power Switch

- After turning the elite Panaboard off, wait more than 2 seconds before turning it back on.

## Moving the elite Panaboard When Using the Stand (Sold Separately)

1. **After confirming that the power is off, disconnect the power cord and USB cable.**
2. **Release the locks on the casters.**
3. **Move the elite Panaboard, avoid banging or shaking the board.**

### Notice

- Always move the elite Panaboard with 2 people.
- Do not drag or step on the cable.

4. **Lock the casters.**

## Installing the elite Panaboard software/book

You need to install the elite Panaboard software/book on the computer that will be used with the elite Panaboard.

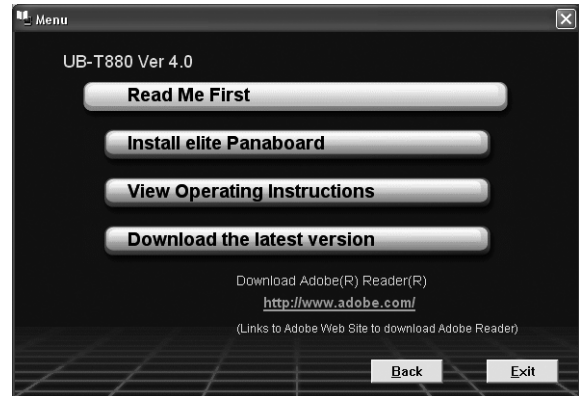
To install the elite Panaboard software/book, follow the procedure below.

### Notice

- Do not connect the USB cable until the installation is completed.
- Do not connect more than 1 elite Panaboard to the same computer.  
(Doing so can cause erroneous behavior on the computer.)

1. **Turn on your computer and start the Windows operating system.**
  - Log into an account with Administrator privileges.
2. **Insert the included DVD-ROM into the DVD-ROM drive.**
  - The setup screen will be displayed.
  - If the setup screen does not appear, select your DVD-ROM drive in Explorer and double-click [Menu.exe].
  - In Windows Vista or Windows 7, if the Autoplay dialog box is displayed, click [Run Menu.exe].
3. **When the “Welcome” screen has been displayed, click [Next].**
4. **When the “Model Selections” screen is displayed, click the type of device you are using.**

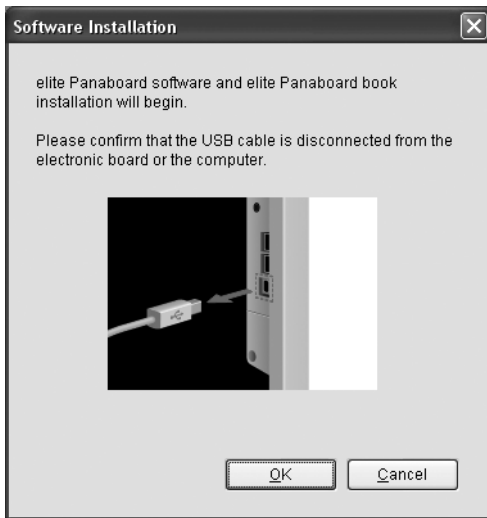
5. **When the “Menu” screen is displayed, click [Read Me First].**



- After the system requirements are displayed, make sure that your computer meets the requirements.
6. **Click [Install elite Panaboard] on the “Menu” screen.**
  7. **If you agree to the terms in the “License Agreement”, click [Yes].**
    - In Windows Vista, if the “User Account Control” window is displayed, click [Continue] to continue with the installation.
    - In Windows 7, if the “User Account Control” window is displayed, click [Yes] to continue with the installation.

**8. When the following screen is displayed, confirm that the USB cable is not connected to your computer or the elite Panaboard, and click [OK].**

- If the USB cable is connected to the elite Panaboard, disconnect the cable, and click [OK].
- If .NET Framework 3.0 or later is not installed, an installation screen will be displayed. Follow the on-screen directions to install these components.



**9. When the installation wizard is displayed, follow the on-screen instructions and continue with the installation.**

**10. When installation has finished, click [Finish].**

- Restart your computer if you are prompted to do so.
- The group [elite Panaboard] will be created in the [Panasonic] group in the program menu.
- The following items will appear in the [elite Panaboard] group:
  - elite Panaboard software
  - elite Panaboard book
  - Electronic Pen Registration Tool
  - Operating Instructions
  - Software Help
  - Download the latest version

**Note**

- To view the Operating Instructions, you must have Adobe® Reader® installed on your computer. If your computer is connected to the Internet, you can download Adobe Reader from Adobe's web site.

# Setting the Projector

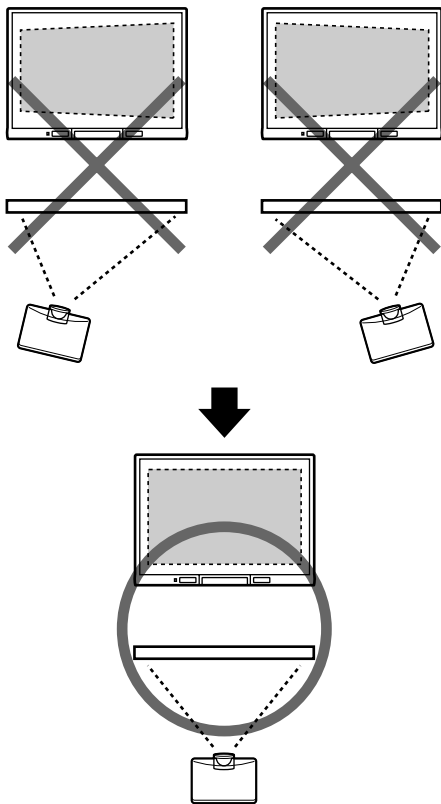
Set up your projector as instructed below.

## About Positioning the Image

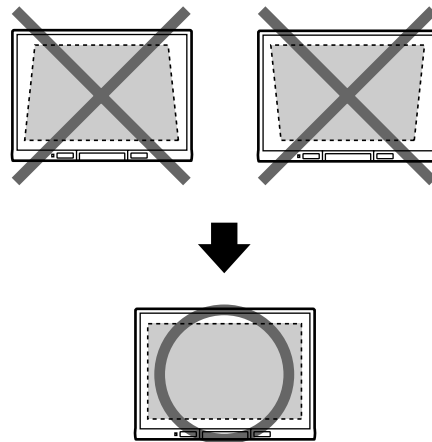
- When you are projecting an image, make sure the image is inside the screen frame.

## Project the Image as a Rectangle

- Adjust the location of the projector to project at a right angle with the elite Panaboard.



- If the image is projected trapezoidally, the position may not be read correctly. Adjust the projector so that the projected image is a rectangle. Refer to your projector's documentation for information on adjusting the projected image.



## Set the Proper Resolution

- Set your computer's and projector's resolutions to the most appropriate setting. If the resolution is not set properly, the image will be difficult to see. Particularly, if the projector's resolution is lower than the computer's, thin lines can appear cut or broken. Refer to your projector's documentation for information on adjusting the resolution.

## Do Not Look Directly into the Projector Lamp

- When using a projector, try to avoid looking directly into the projector lamp. Doing so can hurt your eyes.



## Setting Your System (Calibration)

### About Calibration


Calibration refers to setting up the elite Panaboard and projector so that lines and comments drawn with your finger or the electronic pen are displayed in the correct position. Be sure to perform calibration before use. After you have set up the elite Panaboard, project an image onto the screen board and use the elite Panaboard software installed on your computer to perform calibration.

### After Calibration

#### Do Not Move the elite Panaboard or the Projector

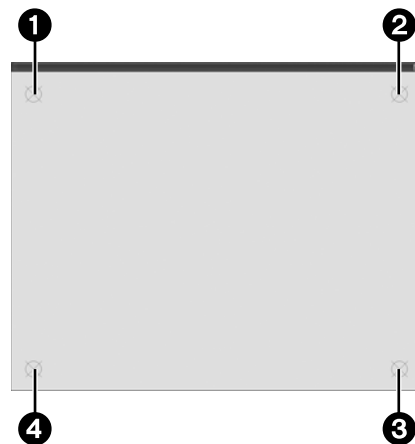
- The following changes will bring the position of projection out of alignment with the position of your finger or the electronic pen, and you will need to recalibrate the equipment.
  - The location of the projector changed.
  - The location of the elite Panaboard changed.
  - The image area or placement was changed due to changes in the zoom, focus, etc.
  - The resolution of the projector or the computer changed.
- If you are using the elite Panaboard installed on a stand, be aware that accidentally hitting the elite Panaboard or pushing too strongly with the electronic pen while operating can move the stand's position, which will result in misalignment of the projected image and the electronic pen's position.
- Make sure to lock the stand's casters when using the elite Panaboard, as failing to do so can cause misalignment.

#### Note

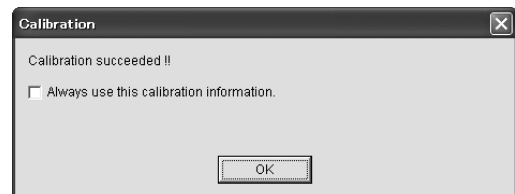
- To perform calibration, click the  icon in the notification area and click [Calibration] in the pop-up menu.

## Starting the elite Panaboard software and Performing Calibration

1. Turn on the elite Panaboard.
2. Connect the elite Panaboard to your computer with the USB cable.
  - The elite Panaboard software starts automatically.
  - Once the elite Panaboard software starts up, the calibration screen is automatically displayed.
  - Restart your computer if you are prompted to do so. After the computer has restarted, connect the elite Panaboard to your computer with the USB cable.
3. Calibrate the equipment by using your finger to touch the center of the indicated points in the order shown for about 2 seconds.






- Touch the screen board at a right angle with your finger.
- After you touch an indicated point correctly, the next point is shown automatically.
- When calibration has finished normally, a completion dialog box is displayed.



1

**4. Click [OK].**

- If the elite Panaboard and projector are fixed so that they will not move (Wall mounted case), select the [Always use this calibration information.] check box, and click [OK] to skip calibration from the next time you start the elite Panaboard software.
- When calibration is finished, the  icon is displayed in the notification area. You can now use the elite Panaboard software.
- To display the Select Function Menu, click the Menu Start Tab (left side:  / right side: ) on the screen with your finger.



Example of the Select Function Menu

- To display the Drawing Menu, touch the screen board while holding the menu button on the electronic pen.




Example of the Drawing Menu

**Note**

- For detailed information about using the elite Panaboard software, refer to the help menu. For details on accessing the help information, see “Viewing the Help of the Software” (page 27).

**Exiting the elite Panaboard software**


Click on the  icon in the notification area, and select [Exit] from the menu.

## Viewing the Help of the Software

Follow the procedure below to view the help of the software installed on your computer.

1. Turn on your computer and start Windows.
2. Open “Software Help” from the Start menu. ([Start] → [All Programs] → [Panasonic] → [elite Panaboard] → [Software Help])
  - General help information of the installed software is displayed.

### Note

- To access the help information of elite Panaboard software and Drawing Menu, click the  icon in the notification area and select [Help] from the pop-up menu.
- To access elite Panaboard book help information, select [Help...] from the elite Panaboard book [Help] menu.
- We recommend that you view the help using Internet Explorer® 6.0 or later for Windows.

## Uninstalling the elite Panaboard software/ book

If it is necessary to uninstall the elite Panaboard software/book, follow the procedure below.

1. Turn on your computer and start Windows.
  - Log into an account with Administrator privileges.
2. Select [Add or Remove Programs] from the Control Panel.
  - In Windows Vista or Windows 7, select [Uninstall a program].
3. Select Panasonic elite Panaboard, then remove it.
4. Follow the on-screen instructions.
5. When uninstallation is complete, restart your computer.

## Download the Latest Software

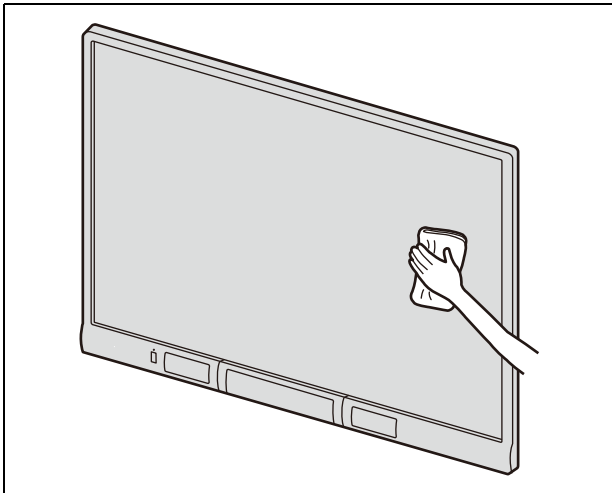
Follow the procedure below to download the latest version of the software from the download web site.

1. Turn on your computer and start Windows.
2. On the Start menu, point to [All Programs] → [Panasonic] → [elite Panaboard], and click [Download the latest version].

## Daily Care

When cleaning the elite Panaboard or inside the elite Panaboard, make sure to switch off the power and unplug the power cord from the AC outlet.

### Cleaning the elite Panaboard



Gently wipe the elite Panaboard with a soft, moist cloth.

#### Notice

- The elite Panaboard is designed exclusively for projector images.  
To remove marks written with a whiteboard marker or stubborn stains, use whiteboard cleaner or neutral household detergent diluted with water.
- Do not use thinner, benzene, or abrasive chemicals to clean.  
(Doing so can result in discoloration.)

### Replacing the Battery in the Electronic Pen

When the electronic pen battery is low, the pen status LED blinks. Continued use of the electronic pen can lead to poor performance. Replace the battery as soon as possible. See “Inserting (Replacing) Batteries” (page 17) for details on replacing the battery.

- Dispose of expired batteries quickly, by covering the terminals in tape and following the disposal regulations in your country/area.

#### For Brazil



Após o uso as pilhas / baterias contidas neste produto poderão ser dispostas em lixo doméstico.

#### For Taiwan (台灣)

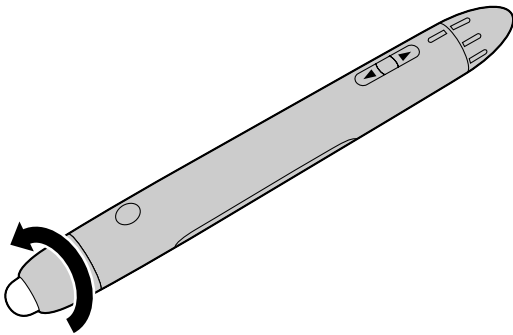


廢電池請回收

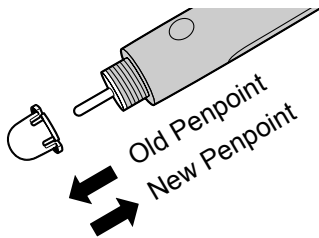
## Replacing the Penpoint of the Electronic Pen

As the penpoint of the electronic pen becomes worn, the penpoint will no longer slide easily across the surface. Continuing to use the electronic pen in this condition may make the screen dirty and cause malfunction. Replace the penpoint with a new one as soon as possible.

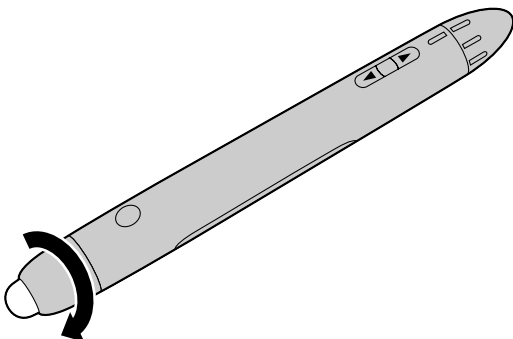
1. Remove the penpoint cover.



2. Remove the old penpoint and attach the new one.



3. Reattach the penpoint cover.



## Troubleshooting

When experiencing problems, please refer to the table below for possible solutions. If the problem persists, contact your dealer.

| Symptom  | Possible cause and solution  | See page      |
|--|--|---------------|
| The LEDs do not light when the power switch is turned on.  | Check that the power cord is properly plugged in.<br>→ If the problem persists, unplug the cord momentarily, wait about 2 seconds, and plug it in again.   | —             |
| Error LED (red) is blinking.   | Turn off the power, and turn it on.<br>→ If the problem persists, contact your dealer.   | —             |
| The computer does not recognize the elite Panaboard.   | <ul style="list-style-type: none"> <li>The elite Panaboard and your computer are not connected.<br/>→ Securely connect the elite Panaboard and your computer using a USB cable.</li> <li>The USB cable is connected to a USB hub.<br/>→ Do not connect the elite Panaboard through a USB hub.</li> </ul>   | —             |
| The connection between the computer and the elite Panaboard is unexpectedly lost.  | Check that the elite Panaboard is in an operable state, and that the USB cable is properly connected.  | —             |
| The point of control is out of alignment with your finger or the electronic pen.   | The projected image is misaligned.<br>→ Perform the calibration again.   | 25            |
| Lines or comments drawn with your finger are not shown on the computer screen.   | <ul style="list-style-type: none"> <li>You are touching the screen board with a part of your hand other than your finger.<br/>→ Use only your finger tip to touch the screen board.</li> <li>You are touching too lightly with your finger.<br/>→ Touch the screen board more firmly.</li> </ul>   | —             |
| The electronic pen loses the functions.<br>(Buttons are unresponsive.)<br>(The elite Panaboard responds as if you were touching it with your fingers.)<br>(Lines written with the electronic pen are broken or colors change.) | <ul style="list-style-type: none"> <li>The electronic pen is low on batteries.<br/>→ Replace the electronic pen's battery.</li> <li>The electronic pen is in low-power mode.<br/>→ Turn the selector dial to change the mode.</li> <li>Another electronic whiteboard is in use nearby.<br/>→ Use the Electronic Pen Registration Tool to register the electronic pen. See "Registering the Electronic Pen" in "Software Help" for instructions on registering the electronic pen.</li> </ul> | 17<br>16<br>— |

| Symptom  | Possible cause and solution  | See page |
|--|--|----------|
| The electronic pen status LED is blinking.                           | The electronic pen is low on batteries.<br>→ Replace the electronic pen's battery.   | 17       |
| Marks written with a whiteboard marker cannot be erased.             | Because the elite Panaboard is designed exclusively for projector images, you cannot erase the marks with a standard eraser.<br>→ Use commercially available whiteboard cleaner or neutral household cleaner diluted with water.   | 28       |
| The sound level is low or no sound is output from the speaker.       | <ul style="list-style-type: none"> <li>• The volume level of the elite Panaboard is low.<br/>→ Adjust the volume using the volume dial.</li> <li>• The volume of your computer is low or set to mute.<br/>→ Adjust the volume using the volume control in the notification area, or uncheck the mute setting.</li> <li>• The volume of the application is low.<br/>→ Adjust the volume of the application (e.g. Windows Media Player).</li> <li>• The connection between the external audio input port and the VCR or DVD player etc. is not correct.<br/>→ Securely connect the external audio input port and the VCR or DVD player etc.</li> </ul> | 15       |
| The external device connected to the USB hub does not work properly. | <ul style="list-style-type: none"> <li>• The elite Panaboard and external devices are not connected.<br/>→ Securely connect the elite Panaboard and external devices.</li> <li>• A driver or application for enabling the use of external devices may not be installed on your computer.<br/>→ Install the driver or application following the instructions in the manual for the external device.</li> </ul>  | —        |

## Specifications

| Model Number          | UB-T880 / UB-T880W          |  |
|-----------------------|-----------------------------|--|
| <b>General</b>        | Power                       | AC 100 V–240 V, 50 Hz/60 Hz  |
|                       | Power Consumption           | During Operation: 0.5 A<br>(When power is OFF by the power switch: 0.2 W)                                      |
|                       | Operating Environment       | Temperature: 10 °C to 35 °C (50 °F to 95 °F)<br>Humidity: 30 % to 80 %   |
|                       | Storage Environment         | Temperature: -20 °C to 40 °C (-4 °F to 104 °F)<br>Humidity: 15 % to 80 %                                       |
|                       | Interface                   | USB 2.0  |
|                       | No. of Hub Ports            | 2 ports  |
| <b>Electronic Pen</b> | Transmission System         | GFSK   |
|                       | Electronic Pen Power        | LR03 (AAA alkaline dry cell battery) × 1   |
|                       | Electronic Pen Battery Life | 30 hours (when used continuously at 25 °C [77 °F])<br>* When using Panasonic LR03 alkaline dry-cell batteries. |
| <b>Audio Features</b> | Audio Input                 | Input level: 309 mVrms (1 KHz, 0 dB, 10 kΩ)<br>Stereo 1 system, ø 3.5 mm (1/8 in.) stereo mini jack            |
|                       | Audio Output                | 2 W + 2 W (maximum 4 W + 4 W)  |



| Model Number         | UB-T880  |   |
|----------------------|--|---|
| General              | External Dimensions:<br>Height × Width × Depth | 1,320 mm × 1,657 mm × 117 mm<br>(4 ft. 4 in. × 5 ft. 5 1/4 in. × 4 5/8 in.)     |
|                      | Weight   | 36 kg (79.4 lbs)  |
| Input Unit           | Screen Board Size:<br>Height × Width           | 1,175 mm × 1,602 mm<br>(3 ft. 10 1/4 in. × 5 ft. 3 1/16 in.)                    |
| Interactive Features | Effective Area:<br>Height × Width              | 1,175 mm × 1,567 mm (3 ft. 10 1/4 in. × 5 ft. 1 11/16 in.)<br>(77 in. diagonal) |

| Model Number         | UB-T880W                                       |   |
|----------------------|--|---|
| General              | External Dimensions:<br>Height × Width × Depth | 1,320 mm × 1,900 mm × 117 mm<br>(4 ft. 4 in. × 6 ft. 2 13/16 in. × 4 5/8 in.) |
|                      | Weight   | 39 kg (86 lbs)  |
| Input Unit           | Screen Board Size:<br>Height × Width           | 1,175 mm × 1,845 mm<br>(3 ft. 10 1/4 in. × 6 ft. 5/8 in.)                     |
| Interactive Features | Effective Area:<br>Height × Width              | 1,036 mm × 1,842 mm (3 ft. 4 3/4 in. × 6 ft. 1/2 in.)<br>(83 in. diagonal)    |

## Supplies & Accessories

|                        |  |           |
|------------------------|--|-----------|
| <b>Optional Device</b> | Stand  | KX-B061   |
|                        | Electronic Pen   | UE-608026 |
|                        | Stylus   | UE-608027 |
|                        | Pointer  | UE-608028 |
|                        | Up / Down Unit   | UE-608030 |
|                        | Stand Table  | UE-608031 |
|                        | Short-Throw Arm Unit   | UE-608032 |
| <b>Consumables</b>     | Penpoint<br>(Replace the penpoint after it has become worn and no longer slides across the surface.) | ???       |

- To purchase separately sold items, contact your dealer.







# Installation Manual (for qualified service personnel)

- Request assembly of the Electronic Board, stand and wall mounting from your dealer.
- Before constructing or installing the elite Panaboard, please read “Installation Manual (for qualified service personnel)” carefully.  
**Especially, please read “For Your Safety” carefully and install the elite Panaboard safely.**  
 Panasonic System Networks Co., Ltd. cannot be held responsible for accidents or damage to property resulting from incorrect installation.
- When installing the elite Panaboard on a wall or on the stand, perform installation with 2 people.

## For Your Safety

To prevent severe injury and loss of life, read this section carefully before using the unit to ensure proper and safe operation of your unit.






The following graphic symbols are used in this Installation Manual.

|   |  |
|---|--|
|  <b>WARNING</b>  | Denotes a potential hazard that could result in serious injury or death.   |
|  <b>CAUTION</b>  | Denotes hazards that could result in minor injury or damage to the unit.   |
|   | These symbols are used to alert operators to a specific operating procedure that must not be performed.                                  |
|   | These symbols are used to alert operators to a specific operating procedure that must be emphasized in order to operate the unit safely. |

## Notice

1

### **WARNING**

-  Safety check must be done by qualified service personnel after installing this option.
-  Be sure to disconnect the power cord while installing the unit. Otherwise, it may cause electric shock or injury.
-  Be sure to use the specified parts for the installation. Otherwise, it may cause fire, electric shock or injury.
-  Notes in the operating instructions or notes of labels on the cabinet, chassis or parts should be observed.
-  Do not alter the unit and install. Installing an altered unit can cause fire, electric shock or injury.



Have the unit installed, removed and disposed of only by qualified service personnel.

### Electronic Pen / elite Panaboard



Do not use near medical equipment. (Do not bring into a surgery room, intensive care unit, critical care unit, etc.) Electromagnetic waves generated by this device can affect equipment, and can cause equipment to malfunction.



Do not use near automatic doors, smoke detectors and other automatically controlled equipment. Electromagnetic waves generated by this device can affect equipment, and can cause equipment to malfunction.

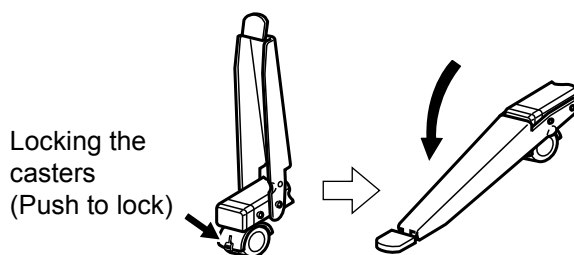


Use at least 20 cm (8 in.) away from pacemakers. Electromagnetic waves generated by this device can affect the operation of pacemakers.

## CAUTION



After installing or moving the electronic board, lock the casters and set the fall-prevention extension legs.



If the unit is hung on a wall, confirm the wall must be capable of supporting at least the following weight.

1,962 N (200 kgf)



Do not attach the electronic board to mortared walls. Accidental electric leakage from the wall mounting plate bolts to metal laths or wire laths can cause heat, smoke or fire.



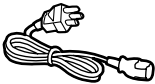



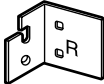
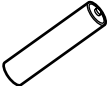
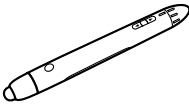

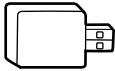

Confirm the bolts of the unit are certainly caught by the wall mounting plate by pulling the unit after hanging the unit on the wall mounting plate if the unit is mounted on a wall.




Be sure to put on a glove to avoid electric shock or injury.

## Included Accessories

Confirm that the following items are included with the elite Panaboard.

| No. | Part Name                              | Illustration  | Q'ty | Remarks   |
|-----|--|---|------|---|
| ①   | Power Cord<br>(3 m [9 ft. 10 1/8 in.]) |    | 1    | The illustration of the power cord is for the United States. The shape of the plug may vary depending on country/area.      |
| ②   | USB Cable<br>(5 m [16 ft. 4 7/8 in.])  |    | 1    | For computer connection   |
| ③   | DVD-ROM                                |    | 1    | Operating Instructions<br>Drivers<br>Application software   |
| ④   | Wall Mounting Plate (Left)             |   | 1    | —   |
| ⑤   | Wall Mounting Plate (Right)            |  | 1    | —   |
| ⑥   | Battery (LR03 AAA alkaline battery)    |  | 1    | For electronic pen  |
| ⑦   | Electronic Pen                         |  | 1    | —   |
| ⑧   | Penpoint<br>(Replacement)              |  | 2    | For electronic pen  |
| ⑨   | 2.4 GHz USB Wireless Adaptor           |  | 1    | A 2.4 GHz USB Wireless Adaptor is preinstalled on the elite Panaboard.<br>FCC ID:<br>ACJ5Z6UE-608049 /<br>IC: 216A-UE608049 |
| ⑩   | Operating Instructions                 |  | 1    | Operating Instructions<br>(includes Installation Manual)  |

| No. | Part Name | Illustration  | Q'ty | Remarks  |
|-----|-----------|---|------|--|
| ①   | Warranty  |  | 1    | May not be included depending on country/area. |

**Notice**

- Screws (8 count) for wall mounting are not included. Please purchase screws with a size of M6, appropriate for your type of wall (page 42).

# Wall Mounting Construction

## Checking the Wall

When mounting on a wall, consult with your building's owner, caretaker or construction manager to determine if the wall strength is sufficient to install the elite Panaboard. For safety, install the elite Panaboard only after thoroughly understanding the type of walls, the appropriate types of screws and the construction method (page 42).

### **CAUTION**

**Do not attach the electronic board to mortared walls. Accidental electric leakage from the wall mounting plate bolts to metal laths or wire laths can cause heat, smoke or fire.**

#### **I. Necessary Tools and Parts (not included with the elite Panaboard)**

Drill, Phillips-head screwdriver, Measuring tape, Level  
8 screws (M6 size)

#### **II. Before Starting**

- 1. Make sure that the wall is strong enough to support the elite Panaboard.**  
Rated strength: greater than 1,962 N (200 kgf)

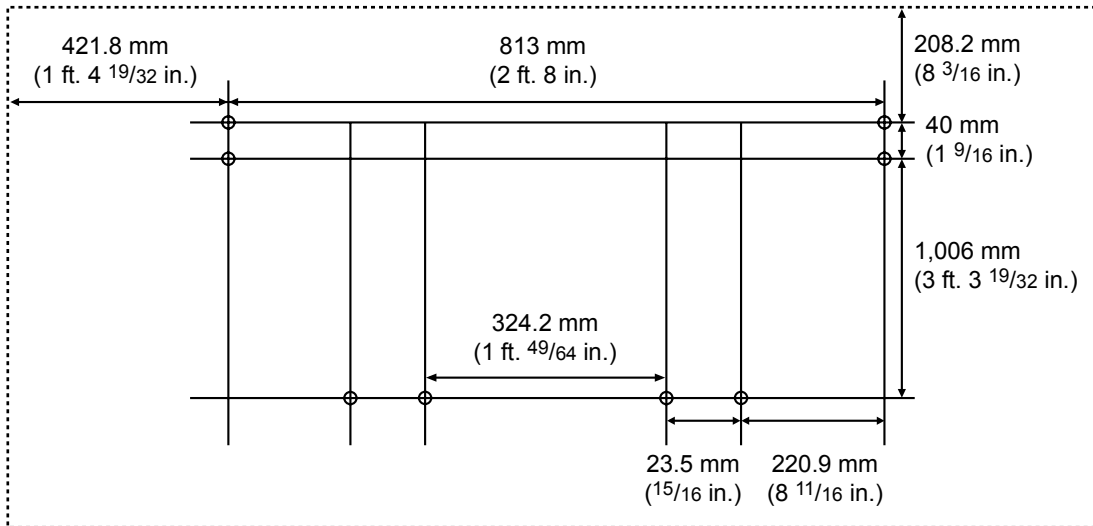
#### **Notice**

- If necessary, reinforce the wall so that it is strong enough to support the elite Panaboard.
- 2. Make sure that the location is large enough to accommodate the elite Panaboard.**  
Height: greater than 2,100 mm (6 ft. 10 <sup>5</sup>/<sub>8</sub> in.)  
Width: greater than 2,000 mm (6 ft. 6 <sup>3</sup>/<sub>4</sub> in.)
  - 3. Make sure that the AC outlet is within 3 m (9 ft. 10 <sup>1</sup>/<sub>8</sub> in.) of where the elite Panaboard will be mounted and that it will not be behind the elite Panaboard.**

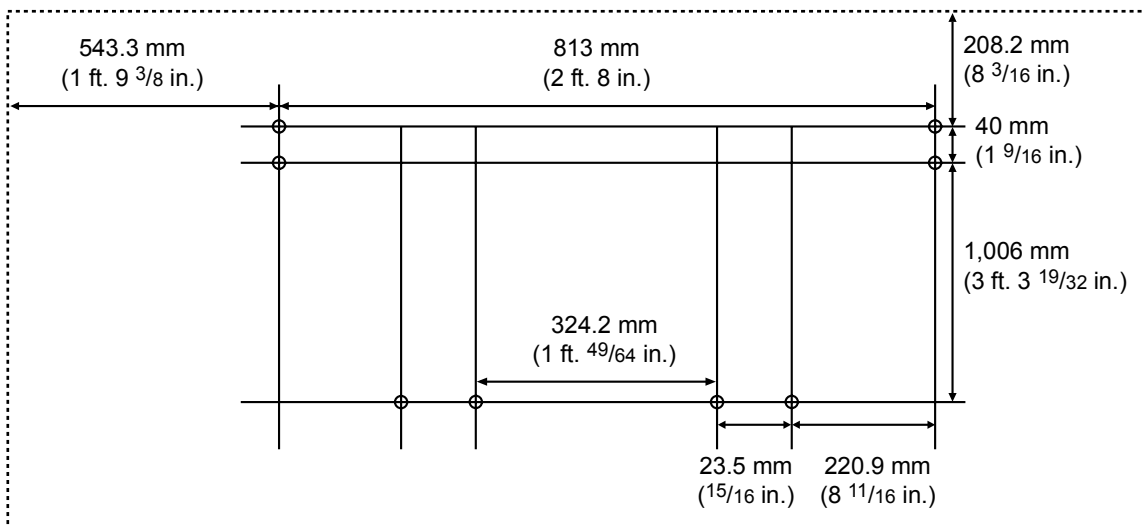
## Installing the Wall Mounting Plates

1. Ensure that the wall is strong enough to support the elite Panaboard.  
Rated strength: greater than 1,962 N (200 kgf)
2. Using the measuring tape and level, mark the 8 locations to insert the screws.

### UB-T880



### UB-T880W



#### Note

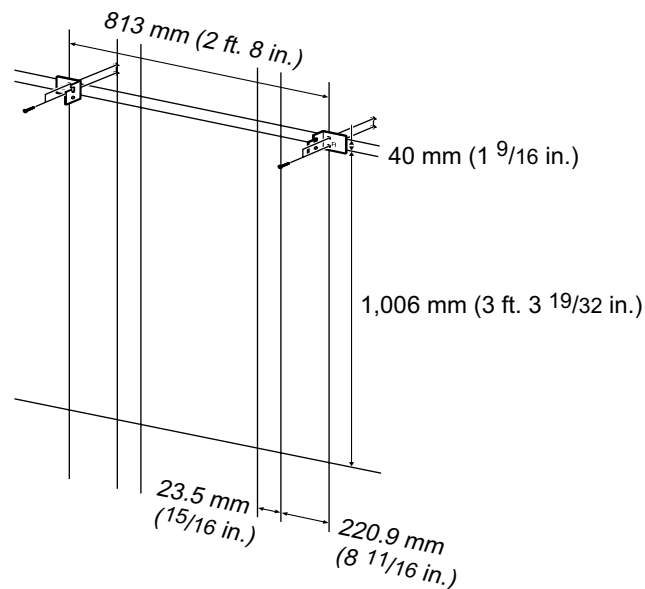
- The dotted line in the illustration represents the outer edge of the elite Panaboard.

3. Drill 8 holes for the wall mounting plates.
  - Drill holes that are appropriate for the screws you are using.



**4. Install the wall mounting plates using the 4 screws.**

- 2 screws are used for each wall mounting plate. The remaining 4 screws are used after installing the elite Panaboard on the wall.

**UB-T880 / UB-T880W**

- Screws (8 count) are not included with the elite Panaboard. Please purchase screws with a size of M6, appropriate for your type of wall.
- Tighten the bolt so that it will not become loose.
- When drilling the holes and installing the wall mounting plates, follow the procedure in “Wall Types and Installation Procedures” (page 42).

**5. Mount the elite Panaboard on the wall.**

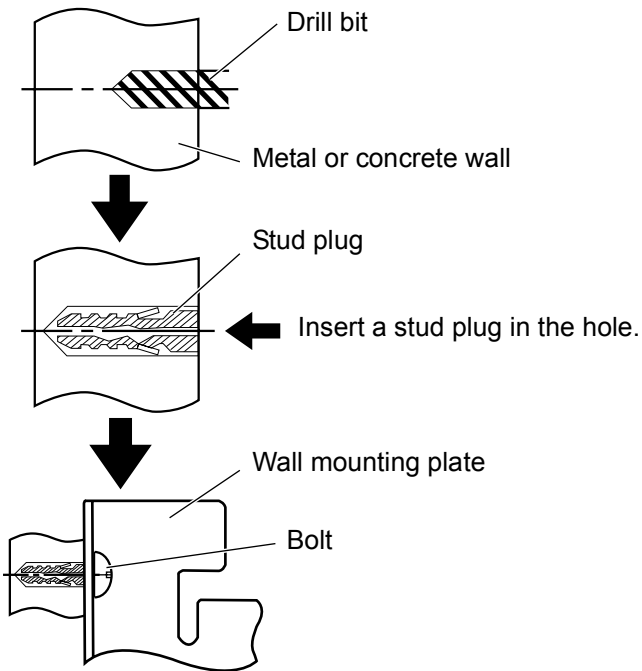
- See “Assembling the elite Panaboard” (For Wall Mounting → page 49).

## Wall Types and Installation Procedures

The method for attaching the wall mounting plates to the wall will vary depending on the wall's structure. Three available options are listed below. Other methods may be necessary depending on the wall.

### Metal or Concrete walls

Stud plugs (not included) are needed.

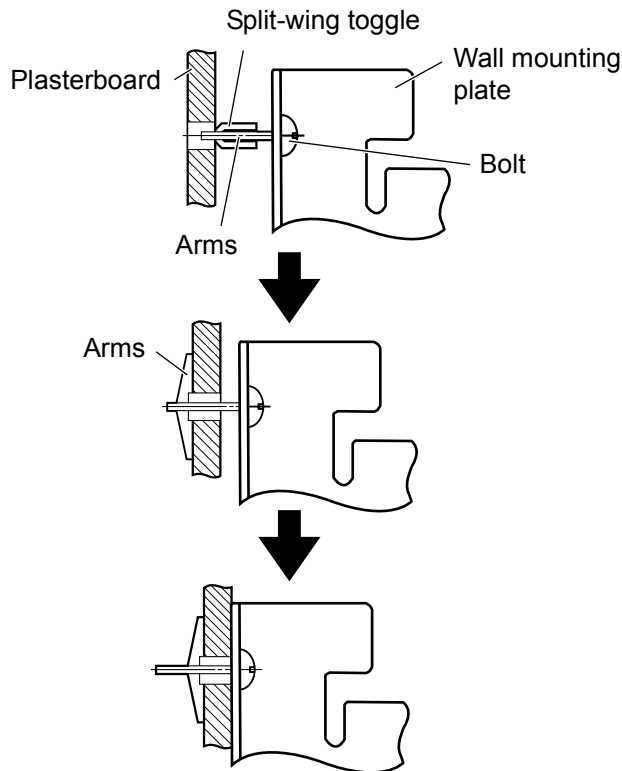


Drill 8 holes in the wall.  
For the correct hole size, refer to the instructions for the particular stud plugs used.

Insert the bolt through the hole in the wall mounting plate and tighten until the wall mounting plate is securely fixed to the wall.

### Plasterboard walls

Split-wing toggles (not included) are needed.



Insert the bolt through the hole in the wall mounting plate and into the hole in the wall so that the arms of the split-wing toggle are horizontal.

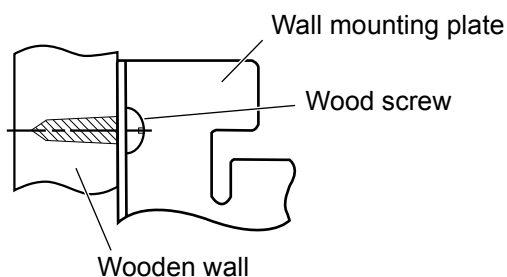
For the correct hole size, refer to the instructions for the particular split-wing toggles used.

After the arms expand, pull the wall mounting plate out until the arms of the split-wing toggle grip firmly into the wall.

Tighten the bolt until the wall mounting plate is securely fixed into the wall.

### Wooden walls

Wood screws (not included) are needed.



Insert the wood screw through the hole in the wall mounting plate and tighten until the wall mounting plate is securely fixed to the wall.

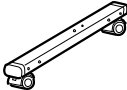
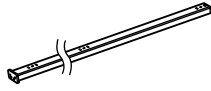


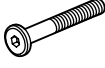


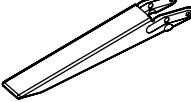
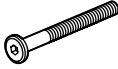

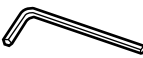

For the correct hole size, refer to the instructions for the particular wood screws used.

1

## Stand KX-B061 Assembly (Sold Separately)

### Included Parts

Check that the following parts are included with the stand KX-B061.

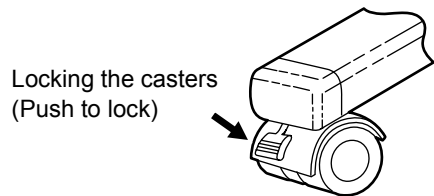
| No. | Part Name  | Illustration  | Q'ty |
|-----|--|---|------|
| ①   | Stand Base   |    | 2    |
| ②   | Support Beam                                       |     | 2    |
| ③   | Cross Bar (A)                                      |     | 2    |
| ④   | Cross Bar (B)                                      |    | 1    |
| ⑤   | Screw (M6 × 45 mm [1 3/4 in.])                     |  | 10   |
| ⑥   | Two-wing Bolt (M5 × 12 mm [1/2 in.])* <sup>1</sup> |  | 2    |
| ⑦   | Support Bracket                                    |  | 2    |
| ⑧   | Fall-prevention Extension Leg                      |   | 4    |
| ⑨   | Screw (M6 × 60 mm [2 3/8 in.])                     |  | 4    |
| ⑩   | Nut  |  | 4    |
| ⑪   | Wrench* <sup>2</sup>                               |  | 1    |
| ⑫   | Washer   |  | 10   |

\*<sup>1</sup> Use the two-wing bolts (L ) when securing the elite Panaboard to the stand.

\*<sup>2</sup> The included wrench is necessary for tightening and loosening the screw (fl ), so keep it in a safe location.

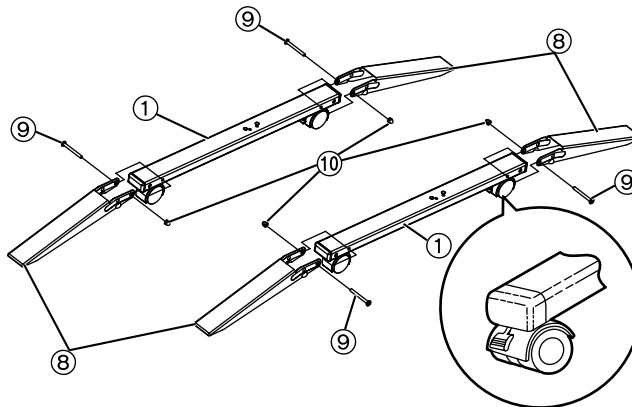
**CAUTION**

Before assembly, be sure to lock the casters.

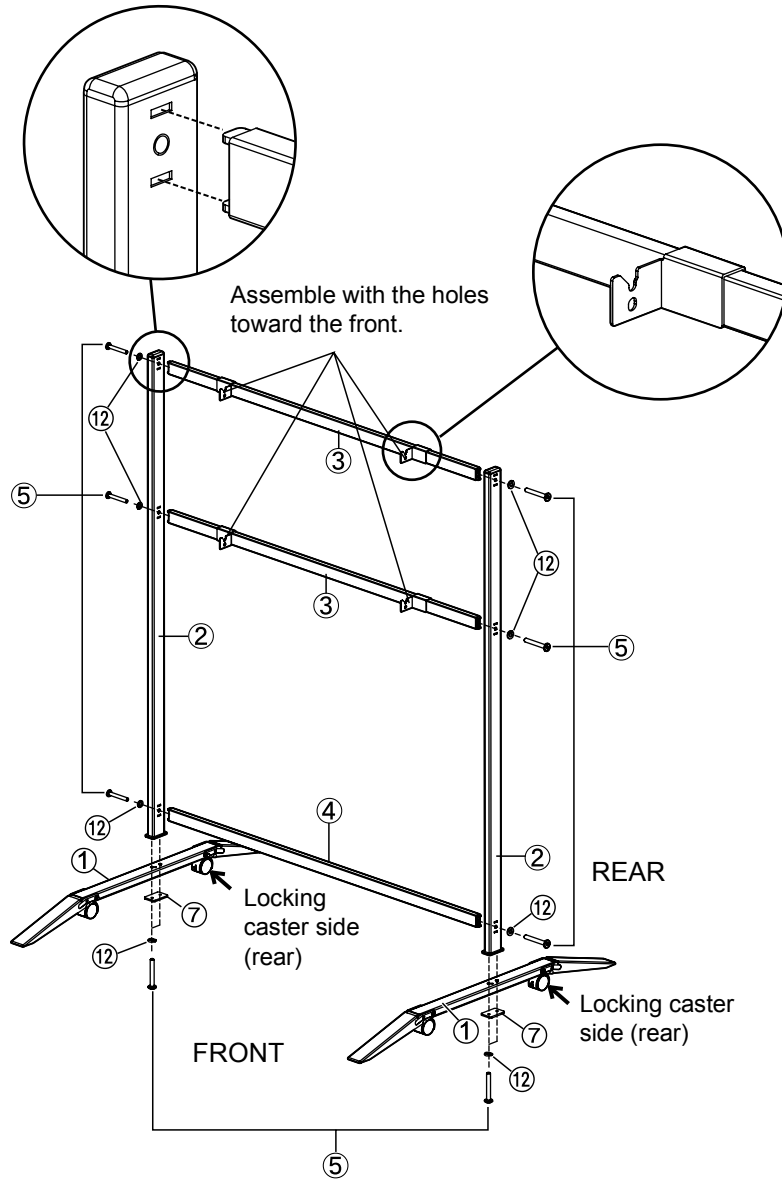


## Assembly Instructions

1. Assemble the fall-prevention extension legs.



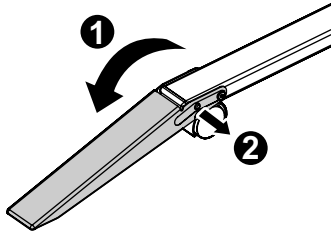
## 2. Assemble the stand.



### **Notice**

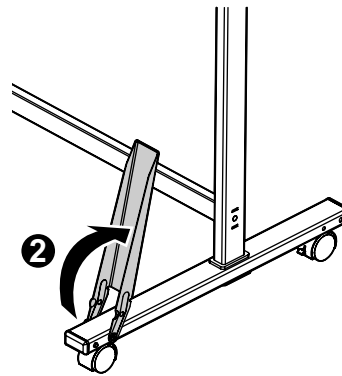
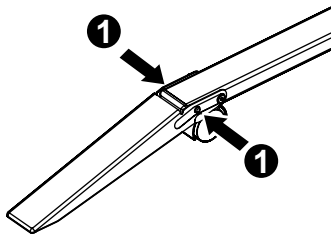
- Do not over-tighten the screw (fl ). (Doing so can warp the support beams.)
- Assemble the stand so that the locking casters are on the rear side.

**3. Pull the fall-prevention extension legs down.**



**Note**

- When folding back the fall-prevention extension legs, release the lock as follows ( , ~ ).



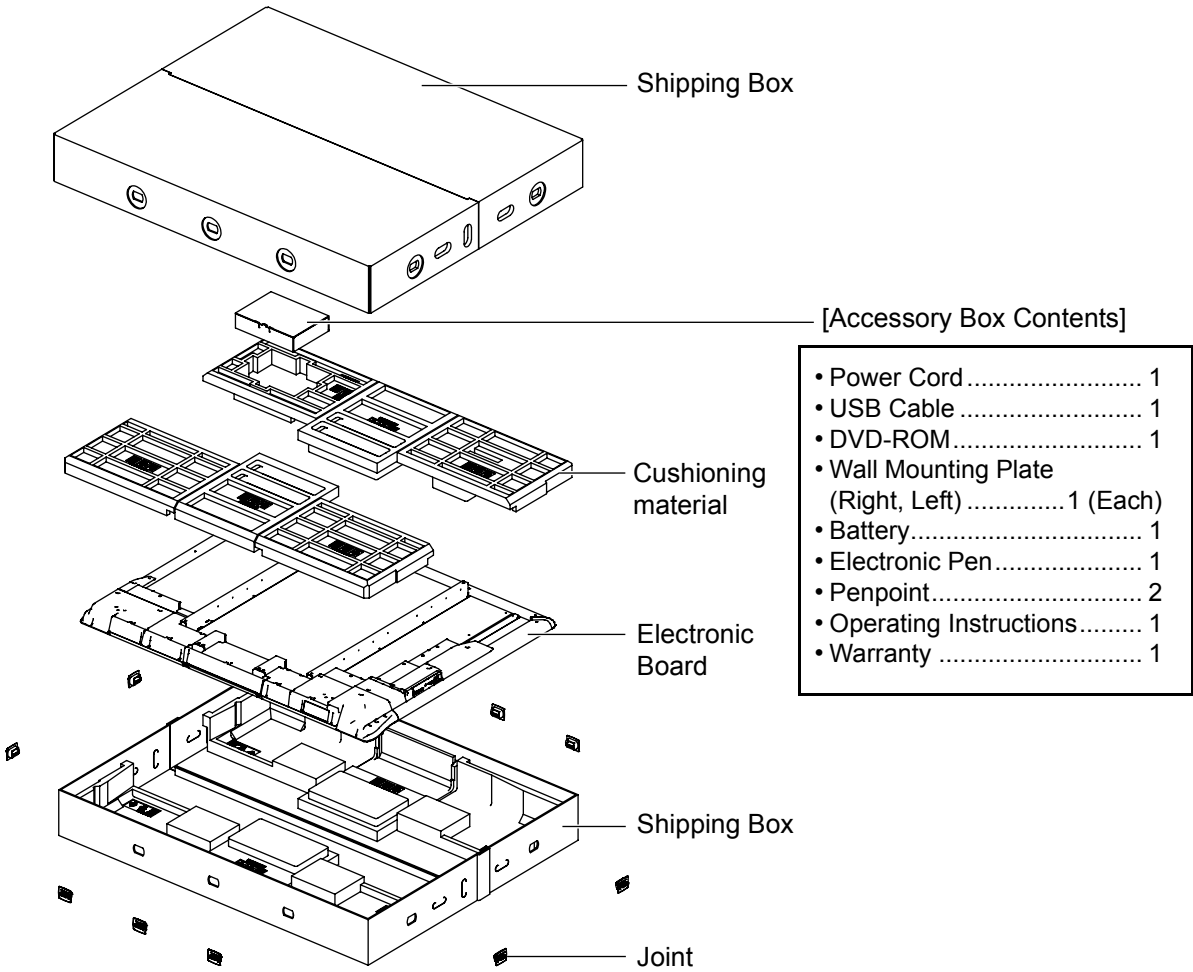
**4. Mount the elite Panaboard.**

- See “Assembling the elite Panaboard” (For Mounting on a Stand KX-B061 (Sold Separately) → page 52).

# Assembly Instructions

## Preparing for Removing the elite Panaboard from Its Packaging

Remove the 10 joints, open the box, remove the accessory box & packing foam and open the plastic sheet of the elite Panaboard.



### Notice

- When handling the electronic board, hold it by the edge frame and not the screen board. (Holding the screen board can result in damage.)
- The packing materials in the shipping box are necessary for repackaging, so keep them in a safe place.

### Note

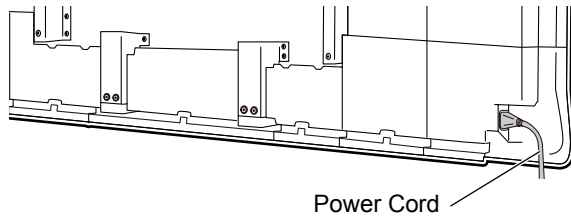
- The warranty may not be included depending on country/area.



## Assembling the elite Panaboard For Wall Mounting

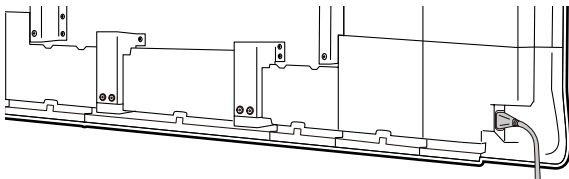
### 1. Attach the power cord.

- Connect the power cord to the elite Panaboard before installing on a wall.

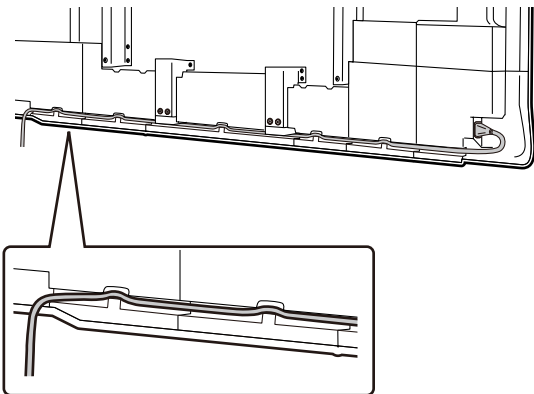


### 2. Depending on the location of the outlet, install the power cord as illustrated in the following diagrams.

- When attaching the power cord downward.

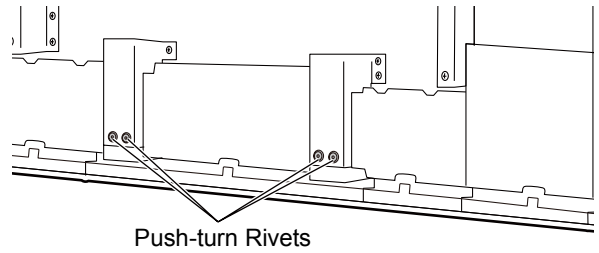


- When attaching the power cord along the lower side of the elite Panaboard.

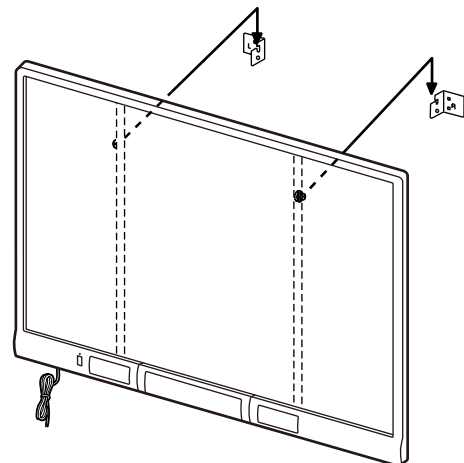


### 3. Remove the push-turn rivets (4) on the fasteners on the bottom of the board.

- Turn the push-turn rivets counter-clockwise with a Phillips-head screwdriver. When the fastener pops up, the part can be removed.

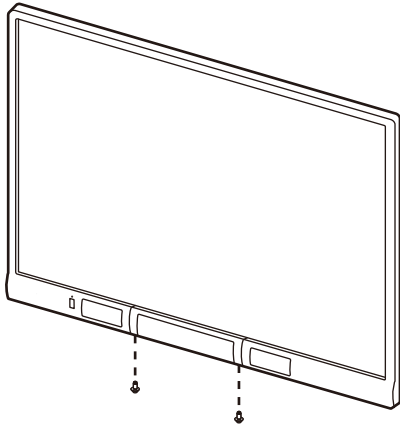


### 4. Hang the elite Panaboard on the wall mounting plates with the screw heads.



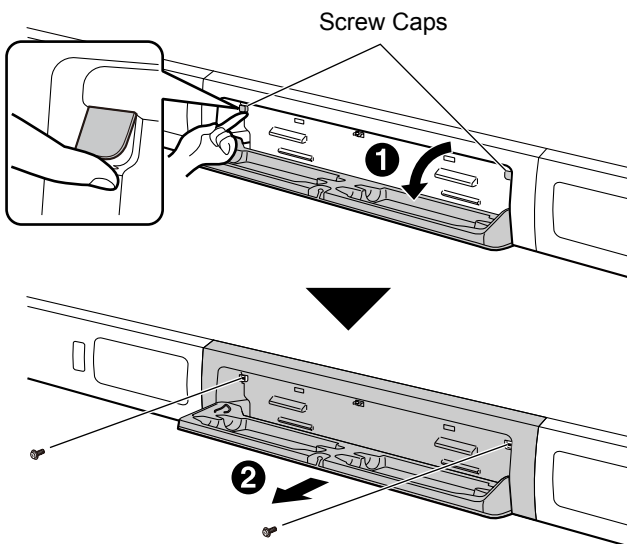
**5. Remove the screws on each end of the bottom of the lower frame cover.**

- UB-T880: 2 screws,  
UB-T880W: 4 screws  
(UB-T880 is shown in the following figure as an example.)



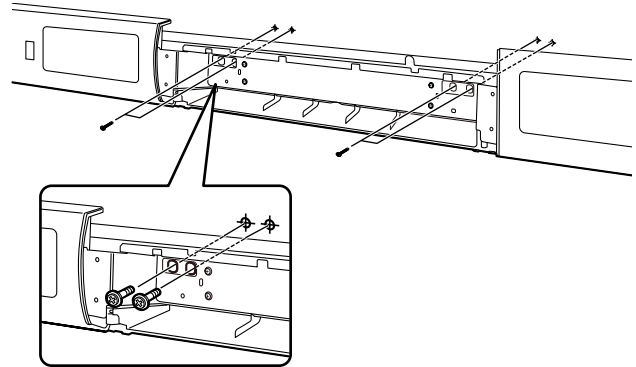
**6. Open the pen tray, remove the screw caps and the screws, and remove the lower frame cover.**

- Open the pen tray ( ), and remove the right and left screw caps (2 locations). Then, remove the screws, and remove the lower frame cover ( ).



**7. Fasten to the wall.**

- Use 4 screws to attach the fasteners on the bottom of the board securely to the wall.



**8. Attach the lower frame cover.**

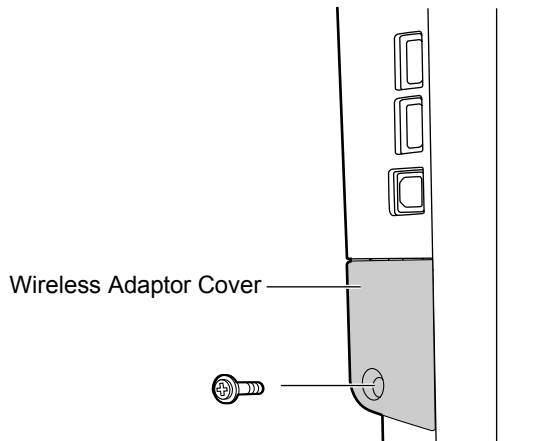
- Perform step 6 and step 5 in reverse and attach the lower frame cover, making sure there is no unevenness with the front surface.

**Notice**

- When mounting on a wall, do not hit or jolt the elite Panaboard.
- After mounting, gently apply some weight on the elite Panaboard to make sure that it is securely fastened to the wall.

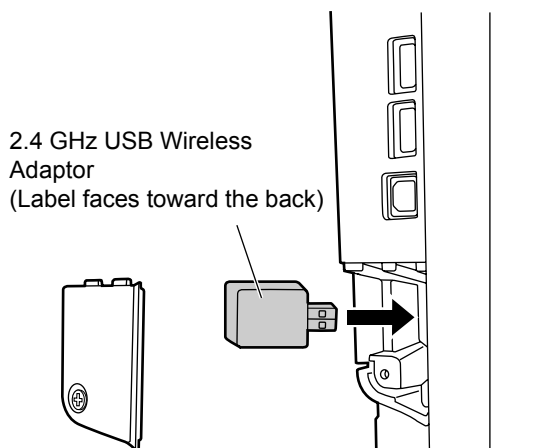
**9. Remove the wireless adaptor cover.**

- Remove the screw for the wireless adaptor cover with a no. 1 Phillips-head screwdriver, and then remove the cover.



**10. Attach the 2.4 GHz USB Wireless Adaptor.**

- After inserting the 2.4 GHz USB Wireless Adaptor, secure the wireless adaptor cover with the screw.



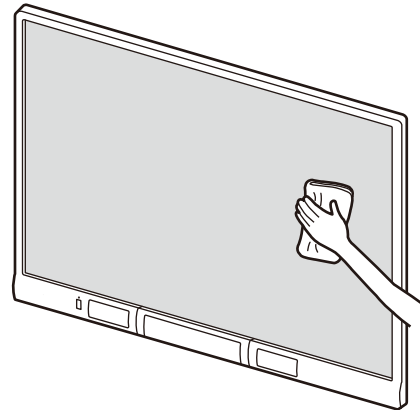
**11. Confirm that the elite Panaboard can operate.**

- See “Confirming the elite Panaboard Operation” (page 54).

**12. Turn off the power switch and unplug the power cord from the AC outlet.**

**13. Wipe the screen board surface.**

- Gently wipe the screen board surface with a soft, moist cloth.



**Notice**

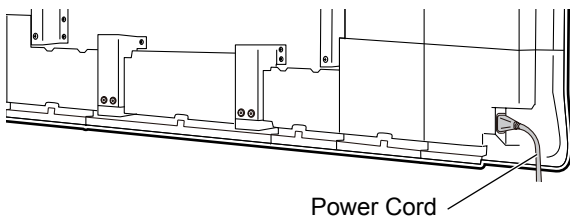
- Do not use thinner, benzene, or abrasive chemicals to clean. (Doing so can result in discoloration.)
- Do not wipe the screen board with a dry cloth. (Doing so can cause static electricity build-up.)

1

## For Mounting on a Stand KX-B061 (Sold Separately)

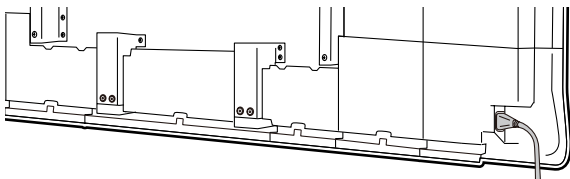
### 1. Attach the power cord.

- Connect the power cord to the elite Panaboard before installing on the stand.

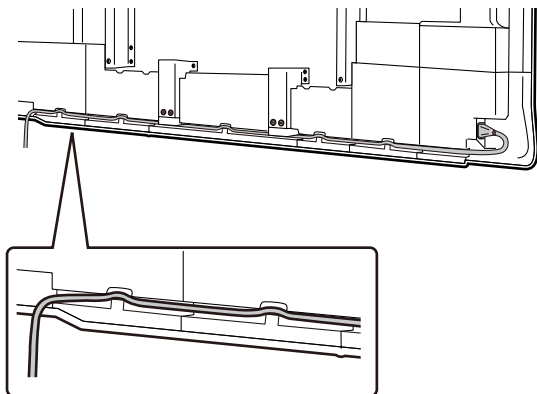


### 2. Depending on the location of the outlet, install the power cord as illustrated in the following diagrams.

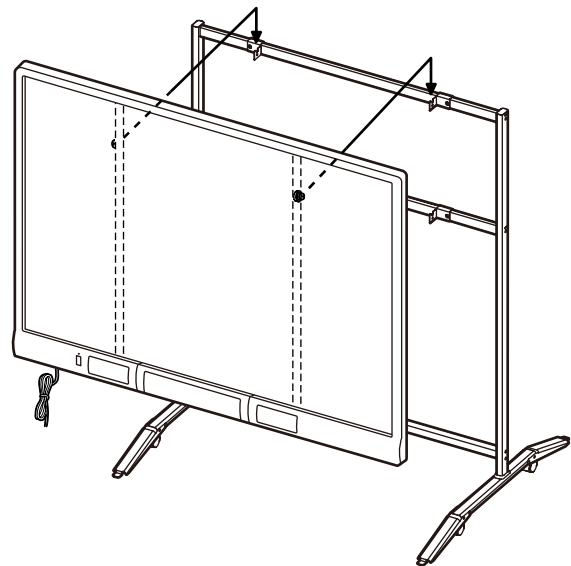
- When attaching the power cord downward.



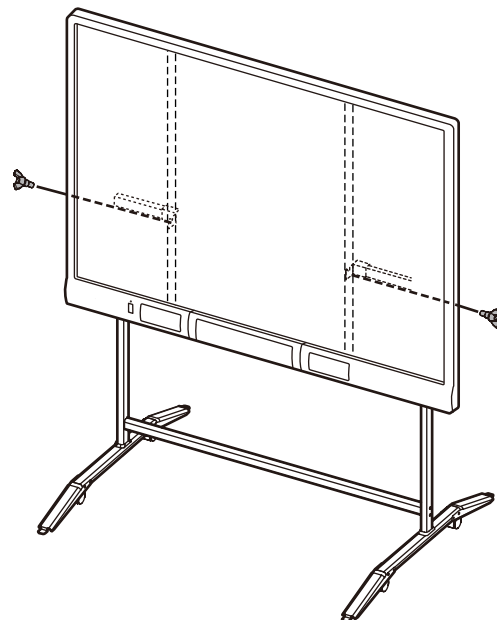
- When attaching the power cord along the lower side of the elite Panaboard.



### 3. Hang the elite Panaboard on the stand with the screw heads.



### 4. Secure the elite Panaboard to the stand frame using the two-wing bolts (M5 × 12 mm [1/2 in.] [2 count]) included with the stand.

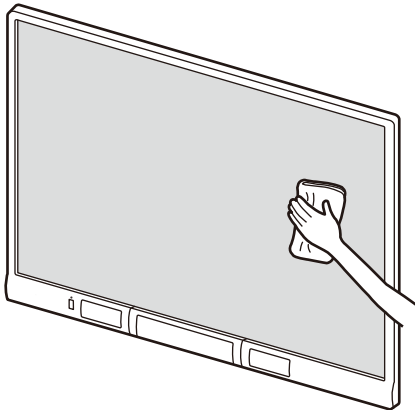


- When installing the elite Panaboard on the stand, you can adjust its height to 4 different levels.

When changing the height, remove the left and right screws from the back of the elite Panaboard, and securely insert them at the desired height. Torque (greater than 1 N•m [10 kgf•cm (9 lbf•in.)]).

| elite Panaboard Height | Screw Position  |
|------------------------|-----------------|
| -100 mm (-3 7/8 in.)   | Highest         |
| Standard               | 2nd from top    |
| +100 mm (+3 7/8 in.)   | 2nd from bottom |
| +200 mm (+7 7/8 in.)   | Lowest          |

- 5. Confirm that the elite Panaboard can operate.**
  - See “Confirming the elite Panaboard Operation” (page 54).
- 6. Turn off the power switch and unplug the power cord from the AC outlet.**
- 7. Wipe the screen board surface.**
  - Gently wipe the screen board surface with a soft, moist cloth.



**Notice**

- Do not use thinner, benzene, or abrasive chemicals to clean. (Doing so can result in discoloration.)
- Do not wipe the screen board with a dry cloth. (Doing so can cause static electricity build-up.)

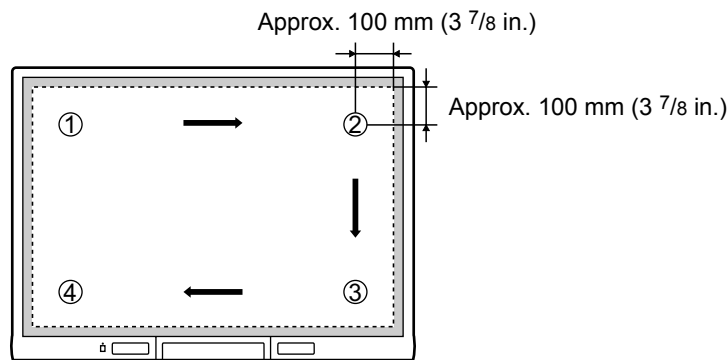
## Confirming the elite Panaboard Operation

After assembling the elite Panaboard, confirm that it operates properly by following the procedure below.

| Action |                    | Checkpoints   |   |
|--------|--------------------|---|---|
|        |                    | Operation   | Measure   |
| 1      | Turn on the power. | Power LED (green) lights.   | (Normal operation)  |
|        |                    | Power LED (green) does not light, or Error LED (red) is blinking. | Check the power cord.<br>See step 1 of "Assembling the elite Panaboard". <ul style="list-style-type: none"> <li>• For Wall Mounting → page 49</li> <li>• For Mounting on a Stand KX-B061 (Sold Separately) → page 52</li> </ul> |

## Confirming the Interactive Features

1. Following the procedure in "Installing the elite Panaboard software/book" (page 22), install the software and connect the included USB cable.
2. Confirm that the interactive features are operating correctly.
  - If a projector is not available, confirm operation using only the elite Panaboard and computer.
  - When the elite Panaboard software starts, the calibration screen is displayed on the computer screen.
  - Perform tentative calibration by touching each of the following points on the elite Panaboard with your finger for about 2 seconds, one point after another. For precise adjustment, it is necessary to use a projector.



- Confirm operation by writing on the screen board with the electronic pen and checking that the writing is displayed on the computer's screen. (Your writing with the electronic pen will not appear on the screen board itself.)

## Repackaging

To repack the elite Panaboard, perform steps in the following “Assembling the elite Panaboard” in reverse.

- For Wall Mounting → page 49
- For Mounting on a Stand KX-B061 (Sold Separately) → page 52

Package the unit as depicted in the diagram in “Preparing for Removing the elite Panaboard from Its Packaging” (page 48).

### **Notice**

- When handling the electronic board, hold it by the frame and not the screen board. (Holding the screen board can result in damage.)

## Information for Users on Collection and Disposal of Old Equipment and used Batteries



These symbols on the products, packaging, and/or accompanying documents mean that used electrical and electronic products and batteries should not be mixed with general household waste. For proper treatment, recovery and recycling of old products and used batteries, please take them to applicable collection points, in accordance with your national legislation and the Directives 2002/96/EC and 2006/66/EC. By disposing of these products and batteries correctly, you will help to save valuable resources and prevent any potential negative effects on human health and the environment which could otherwise arise from inappropriate waste handling.

For more information about collection and recycling of old products and batteries, please contact your local municipality, your waste disposal service or the point of sale where you purchased the items. Penalties may be applicable for incorrect disposal of this waste, in accordance with national legislation.

### For business users in the European Union



If you wish to discard electrical and electronic equipment, please contact your dealer or supplier for further information.

### Information on Disposal in other Countries outside the European Union

These symbols are only valid in the European Union. If you wish to discard these items, please contact your local authorities or dealer and ask for the correct method of disposal.



### Note for the battery symbol (bottom two symbol examples):

This symbol might be used in combination with a chemical symbol. In this case it complies with the requirement set by the Directive for the chemical involved.

Panasonic System Networks Company of America  
Unit of Panasonic Corporation of North America  
One Panasonic Way, Secaucus, New Jersey 07094

Panasonic Canada Inc.  
5770 Ambler Drive, Mississauga, Ontario, L4W 2T3

Panasonic Business Systems U.K.  
A Division of Panasonic U.K. Ltd.  
Willoughby Road, Bracknell, Berkshire, RG12 8FP

Panasonic Marketing Europe GmbH  
Hagenauer Strasse 43, 65203 Wiesbaden, Germany

For information of Compliance with EU relevant Regulatory Directives, Contact to Authorised Representative:  
Panasonic Testing Centre  
Panasonic Marketing Europe GmbH  
Winsbergring 15, 22525 Hamburg, Germany

**CE 1731**

(For EU only)

---

## Panasonic Corporation

Web Site: <http://www.panasonic.net/>