

Dear Sirs:

Our product, EUE24A04 is a Keyless Access System of a motor vehicle. EUE24A04 is provided for a vehicle manufacture as original equipment (OE), and it will be fitted to a motor vehicle before it is placed in the US market. For this reason, we, Matsushita Electric Co., Ltd., do not publish a manual to this product, but a formal thing is appended by the carrying vehicles maker.

Matsushita Electric Industrial Co., Ltd.

Draft

***KEYLESS ACCESS SYSTEM***  
***USER MANUAL***

Matsushita Electric Industrial Co., Ltd.

## **What is the KEYLESS ACCESS SYSTEM?**

KEYLESS ACCESS SYSTEM is a system which can unlock doors (Driver's door, Assistant's door), unlock the trunk, and start engine by only carrying a KEYLESS REMOTE. It is not necessary for you to mind a Key.

Moreover, a transmitter for the Keyless Entry System is included in a KEYLESS REMOTE. You can also unlock and lock all doors and the trunk by pressing a KEYLESS REMOTE Button.



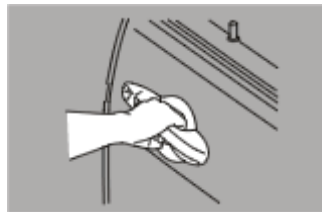
KEYLESS REMOTE

## **Door Unlock and Lock**

You can unlock and lock doors from driver's door handle and assistant's door handle.

### ***Door Unlock***

All doors are unlocked, if a KEYLESS REMOTE is carried and a door handle is grasped.



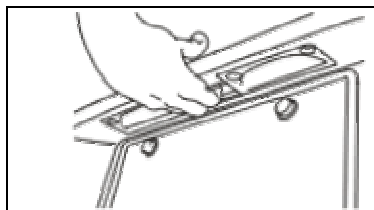
### ***Door Lock***

All doors and the trunk are locked, if a KEYLESS REMOTE is carried and a door handle outside portion is touched,

## **Trunk Unlock**

### ***Trunk Unlock***

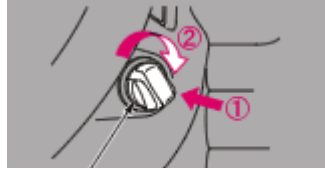
The trunk opens, if a KEYLESS REMOTE is carried and the trunk open switch is pulled.



## **Engine Switch Knob**

### ***How to rotate Engine Switch Knob***

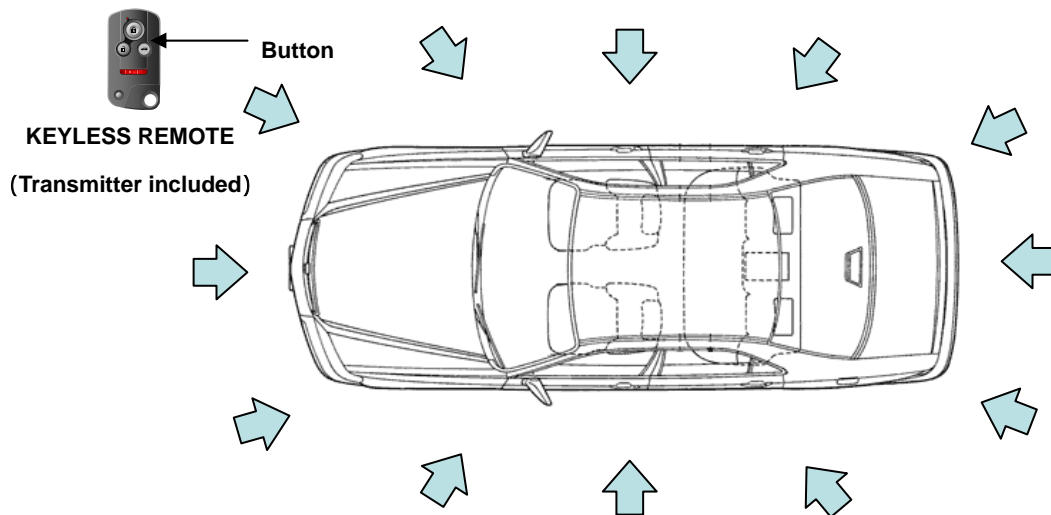
Please push the Engine Switch Knob. At that time, ID authentication is carried out. If the ID authentication succeeds, you can rotate the Engine Switch Knob.



Engine Switch Knob

## **Keyless Entry**

You can unlock or lock all doors and the trunk by pressing the Button of a KEYLESS REMOTE.



### ***Door Unlock***

Please press the Door Unlock Button of a KEYLESS REMOTE.

### ***Trunk Unlock***

Please press the Trunk Unlock Button of a KEYLESS REMOTE.

### ***Door Lock***

Please press the Lock Button of a KEYLESS REMOTE.

*As required by the FCC;*

*This device complied with Part 15 of the FCC rules, Operation is subject to the following two conditions; (1) This device may not cause harmful interference, and (2) this device must accept any interference received, including interference that may cause undesired operation.*

*Changes or modifications not expressly approved by the party responsible for compliance could void the user's authority to operate the equipment.*

*This device complies with Industry Canada Standard RSS-210, Operation is subject to the following two conditions; (1) this device may not cause interference, and (2) this device must accept any interference that may cause*