

Panasonic®

MP3 USB Player/Weather Band Receiver



CR-SM4208U

Operating Instructions



WMA

MP3



- Please read these instructions carefully before using this product and keep this manual for future reference.

Safety Information

- Read the operating instructions for the unit and all other components of your truck audio system carefully before using the system. They contain instructions about how to use the system in a safe and effective manner. We assume no responsibility for any problems resulting from failure to observe the instructions given in this manual.



Warning

This pictograph intends to alert you to the presence of important operating instructions and installation instructions. Failure to heed the instructions may result in severe injury or death.



Caution

This pictograph intends to alert you to the presence of important operating instructions and installation instructions. Failure to heed the instructions may result in injury or material damage.



Warning

Observe the following warnings when using this unit.

- **The driver should not operate the system while driving.**

Watching the display or operating the system will distract the driver from looking ahead of the vehicle and can cause accidents.

Always stop the vehicle in a safe location and use the parking brake before watching the display or operating the system.

- **Use the proper power supply.**

This product is designed for operation with a negative grounded 12 V DC battery system. Never operate this product with other battery systems, especially a 24 V DC battery system.

- **Do not disassemble or modify the unit.**

Do not disassemble, modify the unit or attempt to repair the product yourself. If the product needs to be repaired, consult your dealership.

- **Do not use the unit when it is out of order.**

If the unit is out of order (no power, no sound) or in an abnormal state (has foreign objects in it, is exposed to water, is smoking, or smells), turn it off immediately and consult your dealership.

- **Any NOAA broadcast weather report, including current and forecasts, may not reflect your actual weather conditions at your exact time and location. You should always pay attention to your actual weather conditions to make safe decisions accordingly.**

- **Keep accessories out of reach of infants.**

Accessories can be ingested, so keep them out of the reach of infants. If an infant ingests accessories, please seek immediate medical attention.

Observe the following warnings when installing.

- **Disconnect the lead from the negative (–) battery terminal before installation.**

Wiring and installation with the negative (–) battery terminal connected may cause electrical shock and injury due to a short circuit.

Some cars equipped with the electrical safety system have specific procedures of battery terminal disconnection.

FAILURE TO FOLLOW THE PROCEDURE MAY LEAD TO THE UNINTENDED ACTIVATION OF THE ELECTRICAL SAFETY SYSTEM RESULTING IN DAMAGE TO THE VEHICLE AND PERSONAL INJURY OR DEATH.

- **Never use safety-related components for installation, grounding, and other such functions.**

Do not use safety-related vehicle components (fuel tank, brake, suspension, steering wheel, pedals, airbag, etc.) for wiring or fixing the product or its accessories.

- **Check for piping, gasoline tank, electric wiring, and other items before installing the product.**

If you need to open a hole in the vehicle chassis to attach or wire the product, first check where the wire harness, gasoline tank, and electric wiring are located. Then open the hole from outside if possible.

- **Never install the product in a location where it interferes with your field of vision.**

- **Never have the power cord branched to supply other equipment with power.**

- **After installation and wiring, you should check the normal operation of other electrical equipment.**

The continuation of their using in abnormal conditions may cause fire, electrical shock or a traffic accident.

- **Make sure the leads do not interfere with driving or getting in and out of the vehicle.**

- **Insulate all exposed wires to prevent short circuiting.**



Caution

Observe the following cautions when using this unit.

- **Keep the sound volume at an appropriate level.**
Keep the volume level low enough to be aware of road and traffic conditions while driving.
- **Do not insert or allow your hand or fingers to be caught in the unit.**
To prevent injury, do not get your hand or fingers caught in moving parts or in the disc slot. Especially watch out for infants.
- **This unit is designed for use exclusively in trucks.**
- **Do not operate the unit for a prolonged period with the engine turned off.**
Operating the audio system for a long period of time with the engine turned off will drain the battery.
- **Do not expose the unit to direct sunlight or excessive heat.**
Otherwise these will raise the interior temperature of the unit, and it may lead to smoke, fire, or other damage to the unit.
- **Do not use the product where it will be exposed to water, moisture, or dust.**
Exposure of the unit to water, moisture, or dust may lead to smoke, fire, or other damage to the unit. Make especially sure that the unit does not get wet in truck washes or on rainy days.
- **To ensure safety, never attempt to preset stations while you are driving.**
- **Depending upon the transmission condition of electro-magnetic waves, the geographical reasons and/or the weather conditions, you may not receive the NOAA radio partially or at all.**
- **Make sure that your weather radio can receive properly before driving, especially, before use in a critical condition.**
- **Set the volume level to low enough before the AUX connection is completed.**
Failure to observe this, the loud noise may come out and damage your speakers and your hearing. Direct connection of the speaker/headphone output of an external device without any attenuator may distort sound or damage the connected external device.
- **When using this unit, noise may occur when there is an electromagnetic-wave generator such as a cellular phone near this unit, if that noise is obvious and cannot be eliminated, please keep an electromagnetic-wave generator such as a cellular phone away from this unit.**

Observe the following cautions when installing.

- **Refer wiring and installation to qualified service personnel.**
Installation of this unit requires special skills and experience. For maximum safety, have it installed by the dealership. We are not liable for any problems resulting from your own installation of the unit.
- **Follow the instruction to install and wire the product.**
Not following the instructions to properly install and wire the product could cause an accident or fire.
- **Take care not to damage the leads.**
When wiring, take care not to damage the leads. Prevent them from getting caught in the vehicle chassis, screws, and moving parts such as seat rails. Do not scratch, pull, bend or twist the leads. Do not run them near heat sources or place heavy objects on them. If leads must be run over sharp metal edges, protect the leads by winding them with vinyl tape or similar protection.
- **Use the designated parts and tools for installation.**
Use the supplied or designated parts and appropriate tools to install the product. The use of parts other than those supplied or designated may result in internal damage to the unit. Faulty installation may lead to an accident, a malfunction or fire.
- **Do not block the air vent or the cooling plate of the unit.**
Blocking these parts will cause the interior of the unit to overheat and will result in fire or other damage.
- **Do not install the product where it is exposed to strong vibrations or is unstable.**
Avoid slanted or strongly curved surfaces for installation. If the installation is not stable, the unit may fall down while driving and this can lead to an accident or injury.
- **Installation Angle**
The product should be installed in a horizontal position with the front end up at a convenient angle, but not more than 30°.
The user should bear in mind that in some areas there may be restrictions on how and where this unit must be installed. Consult your dealer for further details.
- **Wear gloves for safety. Make sure that wiring is completed before installation.**
- **To prevent damage to the unit, do not connect the power connector until the whole wiring is completed.**
- **Do not connect more than one speaker to one set of speaker leads. (except for connecting to a tweeter)**



Caution

Observe the following cautions when using iPod® device/iPhone® model or USB device.

- Do not connect a USB device directly to this unit. If the USB device is connected directly to this unit and an accident occurs, or if the brakes are applied suddenly, the driver or passenger may bump into

the USB device and may get injured.

- Position the iPod device/iPhone model/USB device and USB extension cable so that they do not obstruct your driving.
- Do not connect any device other than iPod device/iPhone model/USB memory or a USB audio player. Do not connect multiple USB devices to the USB connector. Drawing power for multiple USB devices from the connector could cause overheating and smoking.



Caution

PLEASE FOLLOW THE LAWS AND REGULATIONS OF YOUR STATE, PROVINCE OR COUNTRY FOR WIRING, INSTALLATION, AND USE OF THIS UNIT AND THE DEVICES TO BE CONNECTED.

The following applies only in the U.S.A.

Part 15 of the FCC Rules

FCC Warning:

This device complies with Part 15 of the FCC Rules for Radio Receiver. Operation is subject to the condition that this device may not cause harmful interference. Any unauthorized changes or modifications to this equipment may void the user's authority to operate this device.

IMPORTANT NOTE:

To comply with the FCC RF exposure compliance requirements, no change to the antenna or the device is permitted. Any change to the antenna or the device could result in the device exceeding the RF exposure requirements and void user's authority to operate the device.

This equipment complies with FCC radiation exposure limits set forth for uncontrolled equipment and meets the FCC radio frequency (RF) Exposure Guidelines in Supplement C to OET65. This equipment has very low levels of RF energy that it deemed to comply without maximum permissive exposure evaluation (MPE). But it is desirable that it should be installed and operated with at least 20 cm and more between the radiator and person's body (excluding extremities: hands, wrists, feet and legs).

NOTICE

This equipment has been tested and found to comply with the limits for a Class B digital device, pursuant to part 15 of the FCC Rules. These limits are designed to provide reasonable protection against harmful interference in a residential installation. This equipment generates, uses and can radiate radio frequency energy and, if not installed and used in accordance with the instructions, may cause harmful interference to radio communications. However, there is no guarantee that interference will not occur in a particular installation. If this equipment does cause harmful interference to radio or television reception, which can be determined by turning the equipment off and on, the user is encouraged to try to correct the interference by one or more of the following measures:

- Reorient or relocate the receiving antenna
- Increase the separation between the equipment and receiver.
- Connect the equipment into an outlet on a circuit different from that to which the receiver is connected.
- Consult the dealer or an experienced radio/ TV technician for help.

This transmitter must not be co-located or operated in conjunction with any other antenna or transmitter.

Accessories

1. Operating Instructions.....	1
2. NOAA Weather Radio Brochure	1
3. Quick Operation Guide of Bluetooth® Function	1
4. Installation hardware.....	1 set (→page 52)

Before Reading These Instructions

Panasonic welcomes you to our constantly growing family of electronic products owners. We endeavor to give you the advantages of precise electronic and mechanical engineering, manufactured with carefully selected components, and assembled by people who are proud of the reputation their work has built for our company. We know this product will bring you many hours of enjoyment, and after you discover the quality, value and reliability we have built into it, you too will be proud to be a member of our family.

Pana Pacific

Limited Warranty Agreement

Pana Pacific warrants vehicle audio products it distributes in the United States, to be free from defects in material and workmanship, in accordance with the following.

For twelve months after delivery, we will repair or at our option replace at no charge any audio product which, under normal conditions of use and service proves to be defective in materials or workmanship. However, this warranty does not cover expenses incurred in the removal or reinstallation of any audio product, whether or not proven defective. This warranty is limited to the original consumer purchaser and is not transferable. Repaired and replaced products shall assume the identity of the original for the purpose of this warranty and this warranty shall not be extended with respect to such products.

To obtain performance of this warranty, contact Pana Pacific warranty return center by phone at 1-800-848-6560. A dated purchase receipt or other proof that the product is within the warranty period will be required in order to honor the claim.

Specifically excluded from this warranty are failures caused by, misuse, neglect, abuse, improper operation or installation, dropping or damaging a faceplate, unauthorized service or parts, or failure to follow normal maintenance activities. Also excluded from this warranty are the correction of improper installation and the elimination of external electromagnetic interference including but not limited to satellite radio FM modulation performance.

This warranty sets forth the exclusive remedies with respect to the products covered by it. We shall not be held liable for any incidental, consequential, special, or punitive damages arising from the sale, use, or distribution of any audio products. No attempt to alter, modify, or amend this warranty shall be effective unless authorized in writing by an officer of Pana Pacific Inc.

This warranty gives you specific legal rights, and you may also have other rights which vary from state to state in the United States of America. In the event any provision, or any part or portions of this warranty shall be found invalid, void or otherwise unenforceable, such holding shall not affect the remaining part or portion of that provision or any other provision hereof.

Contents

Safety Information	2	Setting of PIN (Personal Identity Number) code
Before Reading These Instructions	5	Connection of the registered Bluetooth® device to this unit
Contents	6	Disconnection of the Bluetooth® device
Features	8	Deletion of the registered data
Front AUX terminal (AUX1)		
Rear AUX terminal (AUX2)		
Sound control		
CAN-readiness		
Fault detection of external amplifier		
Non-volatile memory		
Illumination Interlock Control		
Bluetooth®		
SiriusXM Satellite Radio		
USB connector		
Connectable devices	9	
Compatible USB devices		
Controls Layout	10	
Preparation	11	
First time power on		
Clock Display Setting		
Clock adjustment		
General	12	
Power On/Off		
Source Selection		
Volume Adjustment		
Indication at connecting external amplifier		
Sound Controls	14	
Audio modes (Bass/Treble/Balance/Fader/SQ)		
Radio	16	
Operation Flow		
Display Change		
Station Preset		
Manual preset memory		
Tuning in a weather band station		
USB (MP3/WMA)	18	
Notes for USB device		
Compatible USB devices		
Operation Flow		
Display change		
Random, Scan, Repeat Play		
For use with iPod	21	
Operation Flow		
Display change		
Setting the iPod Control		
Repeat, Shuffle Play		
Bluetooth® - General	25	
Registration of a Bluetooth® device to this unit		
Display change		
		Bluetooth® - Music Player
		Music mode activation
		Song selection
		Pause
		Bluetooth® - Hands-Free Phone .. 28
		Phone answering
		Phone hanging up
		Switching between the private mode* and hands-free mode
		Incoming call rejection
		Outgoing call termination
		Setting of automatic answering function
		Use of voice dial
		Use of receiving/calling records or telephone directory (phonebook)
		Notes on Bluetooth®
		Frequency band used
		Usage limitations
		Influence from other devices
		Application limitations
		SiriusXM Satellite Radio Control . 31
		Connecting SiriusXM antenna
		Getting started
		Band selection
		Channel selection
		Channel unlocking (passcode entry)
		Channel preset
		Preset channel selection
		Selection by category
		Display change
		System control mode selection
		Function settings
		SiriusXM antenna aiming mode
		SiriusXM instant replay mode
		Alarm Setting
		Alarm time setting
		Turning ON/OFF the alarm
		Activating snooze
		Troubleshooting
		If you suspect something wrong
		Common
		Radio
		USB (MP3/WMA)
		Bluetooth®
		SiriusXM Satellite Radio Control
		Product servicing
		Error Display Messages
		45

USB (MP3/WMA)
For use with iPod
Bluetooth®
SiriusXM Satellite Radio Control

Notes on MP3/WMA 48

Cautions as to compressed audio files
Cautions as to the display of this unit
Recording MP3/WMA Files /
USB-Device
Copyright
No warranty

Maintenance 50

Cleaning this unit

Specifications 51

General
FM Stereo Radio
AM Radio
Weather Band Radio
Bluetooth®

**Specification from the Terminal End
(Rear Connector of This Unit) 52**

Features

Front AUX terminal (AUX1)

Your mobile audio player and other devices are connectable to this unit without any difficulty.

Rear AUX terminal (AUX2)

For more convenient connection, rear AUX terminals are now provided on the unit itself.

Sound control

SQ (Sound Quality)

You have four preset modes (FLAT, ROCK, POP and VOCAL).

CAN-readiness

This unit is a CAN (Controller Area Network)-ready device that provides communication with other CAN-ready units.

Fault detection of external amplifier

When an anomaly of the connected external amplifier is detected, "AMP FAULT" text appears (the sound will be mute) and the power of this unit turned off after 6 seconds to remind taking inspection with the external amplifier.

Non-volatile memory

This unit stores the memories of each setting (tuner, audio, mode, alarm time settings even if the power supply is shut off or the power cable is unplugged.

Illumination Interlock Control

The intensity/illumination of display and button on this unit is controlled by a PWM dimming module located in the vehicle.

This unit is connected in the vehicle to dimming analog signal (PWM signal). It's capable of dimming the backlighting based on a voltage supplied by a PWM dimming module.

Bluetooth®

This feature allows users to use a hands-free phone and Bluetooth® audio systems.

Compatible Bluetooth® devices

- Bluetooth® Version: 3.0
- HFP1.5 (Hands-Free Profile)
- A2DP (Advanced Audio Distribution Profile) v 1.2
- AVRCP1.4 (Audio/Video Remote Control Profile)
- HSP v 1.1 (Headset Profile)
- PBAP · MAP · SPP

SiriusXM Satellite Radio

SiriusXM Satellite Radio Tuner is integrated and built-in with this unit.

SiriusXM Satellite Radio service requires a subscription and the purchase of a SiriusXM Antenna. For information on SiriusXM Satellite Radio service or tuner activation please call 1-866-635-2349 or visit siriusxm.com.

Note: This unit is not compatible with the following Sirius or XM satellite radio components:

Sirius receiver (SIRPAN1/SC-C1)
Sirius Interface Adaptor (CA-PANSC1U/CA-LSR01U)
XM receiver (XMD1000/CNP2000UC)
XM Adapter Cable (XMDPAN110/CNPPAN1)

About SiriusXM

Everything worth listening to is on SiriusXM, getting over 130 channels, including the most commercial-free music, plus the best sports, news, talk and entertainment. A SiriusXM Tuner and Subscription are required. For more information, visit www.siriusxm.com

SiriusXM and all related marks and logos are trademarks of Sirius XM Radio, Inc. All rights reserved.

USB connector

The USB connector is equipped on the front panel. By connecting a USB memory (not included) to the USB connector via a USB extension cable (USB 2.0, not included), you can enjoy MP3/WMA files stored on the USB memory (not included) in your vehicle. By connecting for iPod devices/iPhone models to USB connector via a USB extension cable for iPod devices and iPhone models (USB 2.0, not included), you can enjoy music files stored on the compatible with iPod devices and iPhone models in your vehicle. Further information about the compatible with iPod devices and iPhone models is described below.

*iPhone, iPod, iPod classic, iPod nano, iPod shuffle, and iPod touch are trademarks of Apple Inc., registered in the U.S. and other countries.

“Made for iPod” and “Made for iPhone” mean that an electronic accessory has been designed to connect specifically to iPod or iPhone, respectively, and has been certified by the developer to meet Apple performance standards. Apple is not responsible for the operation of this device or its compliance with safety and regulatory standards. Please note that the use of this accessory with iPod or iPhone may affect wireless performance.

Connectable devices

Compatible USB devices

• USB Mass Storage Class

For details as to whether your USB memory/USB Audio is compatible with USB Mass Storage Class, please contact the USB memory/USB Audio manufacturer.



Caution

We do not guarantee all of the USB devices (USB memory/USB audio player) on market are compatible and playable with this unit, some exceptional USB devices may have operation problem when connected to this unit. If such problem occurs, please check and contact the USB device manufacturer for its compatible information.

- **USB Standard Compatibility 1.1/2.0 Full Speed**
- **File System FAT12/16/32**
- **Maximum current less than 1 A**
- **Recommended capacity/partition:
Less than 32 GB/Only supported for 1 partition.**

iPod compatibility

This unit supports only the following iPod models. Supported iPod models are shown below. Older models can not be supported.



Caution

Correct function of iPhone 5, iPod touch (5th generation) and iPod nano (7th generation) can not be guaranteed when connected to this unit.

Made for.

- iPod touch (6th generation)
- iPod touch (5th generation)
- iPod touch (4th generation)
- iPod touch (3rd generation)
- iPod touch (2nd generation)
- iPod classic (160 GB only)
- iPod classic (120 GB only)
- iPod classic
- iPod nano (7th generation)
- iPod nano (6th generation)
- iPod nano (5th generation)
- iPod nano (4th generation)

Made for.

- iPhone SE
- iPhone 6s Plus
- iPhone 6s
- iPhone 6 Plus
- iPhone 6
- iPhone 5s
- iPhone 5c
- iPhone 5
- iPhone 4S
- iPhone 4
- iPhone 3GS
- iPhone 3G

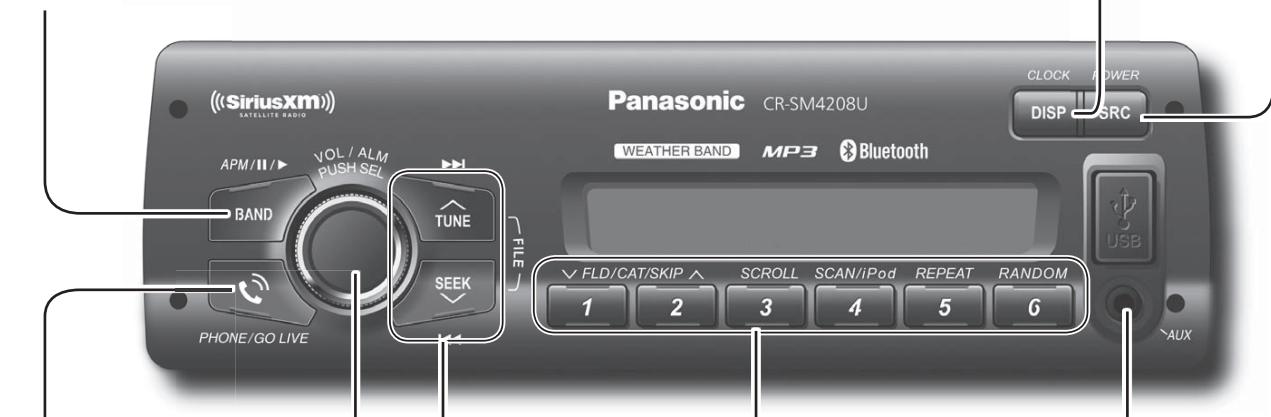
* Operation check has been completed with software available at the end of January, 2017. We do not guarantee the operation with our future products or upgraded software.

Controls Layout

SRC Source (→ page 12, 16, 18, 21, 24, 29)
PWR Power (→ page 12)

BAND
 (→ page 16, 17, 29, 30, 31, 34 - 39)
 y / 5 Pause/Play
 (→ page 18, 21, 24, 32)
APM Auto Preset Memory
 (→ page 16)

DISP Display
 (→ page 11, 16, 19, 22, 25, 28, 35, 39)
CLK Clock (→ page 11)



PHONE (→ page 30, 31)
GO LIVE (→ page 38, 39)

VOL Volume
 (→ page 13, 14)
ALM Alarm
 (→ page 40)
PUSH SEL Select
 (→ page 11, 14, 24, 28, 29, 31, 36, 37, 38, 40)

1 through 6 (Preset Buttons)
 (→ page 16, 17, 28, 35)
SCROLL (→ page 19, 22, 25)
SCAN /iPod (→ page 20, 23, 25)
REPEAT/RANDOM
 (→ page 20, 23, 26)
FOLDER √/∧
 (→ page 18, 21, 24, 35, 39)

AUX
 From line output of external sound/audio device (ex. Silicon-audio player, HDD player, etc.)

TUNE/SEEK √/∧ (→ page 16, 17, 34, 35, 37, 39)
FILE (Track/File/Number) |◀◀/▶▶|
 (→ page 18, 21, 24, 29, 30, 32, 36 - 39)

Preparation

First time power on

- 1 Turn the key in the ignition until the accessory indicator lights.
- 2 Press [PWR] (Power).

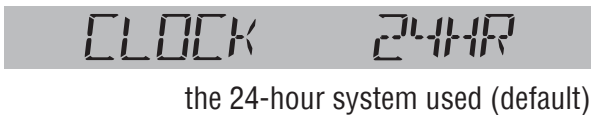
Clock Display Setting

- 1 Hold down [DISP](CLK) for more than 2 seconds to adjust clock setting.



- 2 Press [SEL] to open the clock display setting display.

- 3 Press [▶▶] [◀◀] to adjust.



the 24-hour system used (default)



the 12-hour system used

- 4 Press [SEL] to determine the setting.

Notes:

- If no operation takes place for more than 5 seconds in the clock display setting, the display returns to the regular mode.
- Selection of the 12-hour system displays “AM” during AM hours and “PM” during PM hours.
- To exit from the clock display setting, press [DISP].

Clock adjustment

*The 12-hour system is used for example.

- 1 Press [DISP](CLK).

(Clock display)

- 2 Hold down [DISP](CLK) for more than 2 seconds.

*Indicator for AM or PM time



Hour blinks

- 3 Adjust the hour.

[▶▶] : Sets ahead.

[◀◀] : Sets back.



Hour entered

- 4 Press [DISP](CLK).



Minute blinks

- 5 Adjust the minute.

[▶▶] : Sets ahead.

[◀◀] : Sets back.



Minute entered

- 6 Press [DISP](CLK).



Completed

Notes:

- Clock time is displayed when the unit is power off.
- “CLOCK ADJUST” is displayed when the clock is not adjusted.
- Hold down [▶▶] or [◀◀] to change numbers rapidly.
- When you want to readjust the time, repeat steps 2 to 6.



Power On/Off

Set your car's ignition switch to the ACC or ON position.

Power on: Press [PWR] (Power).

WELCOME

Power off: Hold down [PWR] for more than 1 second.

One-Hour Timer

With the ignition off, pressing the [PWR] on this unit will turn on the receiver and activate the receiver's one-hour timer. The receiver will turn off automatically after one hour.

Source Selection

Press [SRC] to change the source.

RADIO



Radio

★ (page 16)

USB



USB (page 21)
iPod (page 24)

AUX 1

AUX1

When device connected to the front AUX terminal of this unit, the sound of connected audio device can be output from car speakers.



When no external device is connected to rear AUX terminal, "AUX" is displayed, and press [SRC] to return to "RADIO"

AUX 2

AUX2

When device connected to the rear AUX terminal of this unit, the sound of connected audio device can be output from car speakers.



BLUETOOTH



Bluetooth®
(page 28)

SIRIUS XM



SiriusXM
(page 34)

(Return to "RADIO")

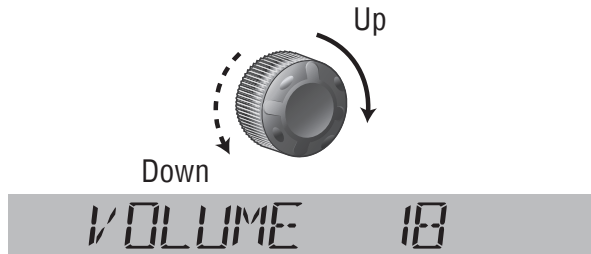
Notes:

- When an output signal from the rear AUX terminal is detected, this unit automatically changes the source to AUX2. If this unit no longer detects this input signal, the source immediately before AUX2 resumes.
- When an output signal from the rear AUX terminal is detected in the power-off mode of this unit, the power is turned on with the AUX2 source selected. If this unit no longer detects this input signal before manually selecting other sources, the power of this unit is turned off.

Volume Adjustment

(Setting Range: 0 to 40, Default: 18)

Turn **[VOL]** clockwise to increase the volume, and counterclockwise to decrease the volume.



Indication at connecting external amplifier

[AMP] lights when an external amplifier is connected.

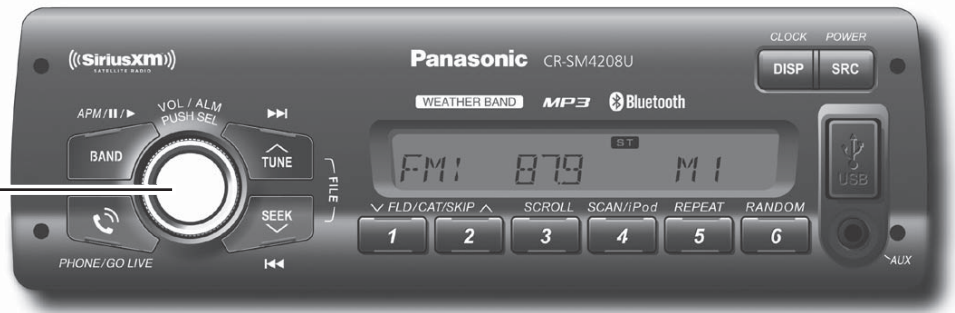
Note: When an anomaly of the external amplifier is detected, “AMP FAULT” appears (the sound will be mute/ **[AMP]** blinks repeatedly) and the power of this unit is turned off after 6 seconds.
When an external amplifier is connected, the adjustable volume level: 0 to 33 (Maximum).

Sound Controls

[VOL]

selects a value in the audio menu.

(PUSH SEL: Select)
selects items in the audio menu.



Audio modes (Bass/Treble/Balance/Fader/SQ)

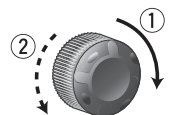
1 Push [SEL] (Select) to select the audio mode in sequence.

Volume

VOLUME 18

(Setting Range: 0 to 40, default: 18)

2 Turn [VOL] (Volume) clockwise or counterclockwise to change each level or select a setting.



VOLUME 20

①: Up
②: Down

Bass

BASS 0dB

(Setting Range: -12 dB to +12 dB by 2 dB, default: 0 dB)

BASS +6dB

①: Increased
②: Decreased

Treble

TREBLE 0dB

(Setting Range: -12 dB to +12 dB by 2 dB, default: 0 dB)

TREBLE +6dB

①: Increased
②: Decreased

Balance

BALANCE CENTER

(Setting Range: 15 levels each and CENTER, default: CENTER)

BALANCE LEFT 15

①: Right enhanced
②: Left enhanced

Fader

FADER CENTER

(Setting Range: 15 levels each and CENTER, default: CENTER)

FADER FRONT 15

①: Front enhanced
②: Rear enhanced

Note: If no operation takes place for more than 5 seconds in audio mode (2 seconds in volume mode), the display returns to the regular mode.

SQ (Sound Quality)

SQ FLAT

SQ is a function that can call up various sound types at the touch of button in accordance with your listening music type.

(Selectable setting: FLAT/ROCK/POP/VOCAL default: FLAT)

SQ VOCAL

①, ②: Select

(FLAT) flat frequency response:
does not emphasize any part. (default)

(ROCK) speedy and heavy sound:
exaggerates bass and treble.

(POP) wide-ranged and deep sound:
slightly emphasizes bass and treble.

(VOCAL) clear sound:
emphasizes middle tone and slightly emphasizes treble.

Note: Settings of SQ, bass and treble are influenced one another. If such an influence causes distortion to the audio signal, readjust bass/treble or volume.



Caution

To ensure safety, never attempt to preset stations while you are driving.

[ST] (FM stereo) indicator lights while receiving an FM stereo signal.

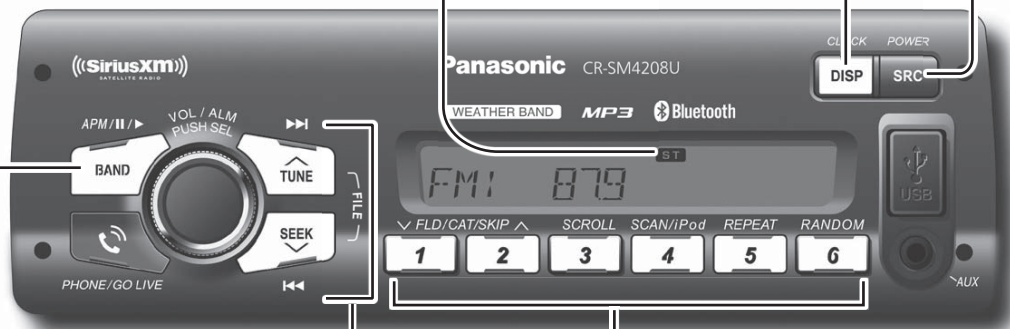
[DISP] (Display) switches the information on the display.

[SRC] selects a source.

[BAND] selects a band in the radio source. **(APM)** (Auto Preset Memory) executes APM in the radio source (by holding it down for more than 2 seconds).

[TUNE ^] / [TUNE v] increases/decreases the frequency. (For seek tuning, hold it down for more than 0.5 seconds and release it.)

Preset buttons [1] through [6] select a preset station in the radio source, preset the current station (by holding it down for more than 2 seconds).



Operation Flow

- 1 Press **[SRC]** to select the radio source.
- 2 Press **[BAND]** to select a band.



- 3 Select a station.

Frequency Adjustment

[TUNE v]: Lower / **[TUNE ^]**: Higher

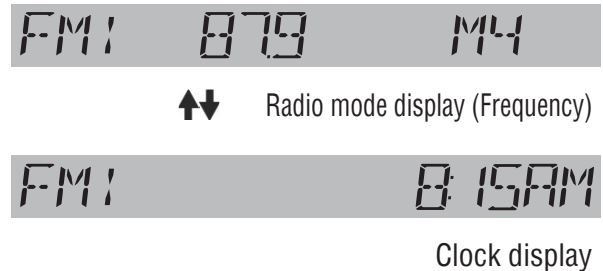
Note: For station search, hold down either of the buttons for more than 0.5 seconds and release it.

Preset Station Selection

Press the corresponding preset button from **[1]** through **[6]** to tune in a preset station.

Display Change

Press **[DISP]** to change the display.



Station Preset

The 6 stations with good reception will be automatically saved in the memory under preset buttons **[1]** through **[6]**.

Preset stations can be simply called up by pressing **[1]** through **[6]**.

Auto Preset Memory (APM)

With this operation, stations with good receiving conditions can be automatically stored in the preset memory.

- 1 Select a band.
- 2 Hold down **[BAND]** (**APM**) for more than 2 seconds.

The preset stations under best receiving conditions are received for 5 seconds each after presetting the stations (SCAN). To stop scanning, press one of the buttons from **[1]** through **[6]**.

Note: New stations overwrite existing saved stations.

Manual preset memory

- 1 Use manual or seek tuning to find a station.
- 2 Press and hold one of the preset buttons [1] through [6] until the display blinks once.

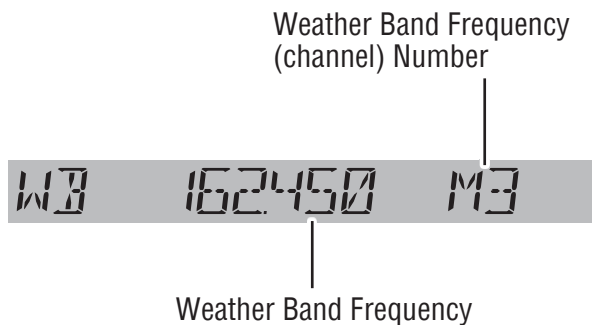


Note: New stations overwrite existing saved stations

Tuning in a weather band station

- 1 Press [BAND] to select WB (Weather Band). (→ page 16)
- 2 Press any of the buttons [1] through [6] to monitor the preset station.

Note: The weather band (CH1-6) has been preset. CH7 is selected by pressing [TUNE ^] or [TUNE v].



Weather Band Stations

National Weather Radio Broadcasts from over 380 locations throughout the U.S. on seven VHF/FM frequencies.

Tune to weather band to receive continuous weather information 24 hours a day on one of the following frequencies.

1. 162.400 MHz
2. 162.425 MHz
3. 162.450 MHz
4. 162.475 MHz
5. 162.500 MHz
6. 162.525 MHz
7. 162.550 MHz

Note: Further and updated information about the National Weather Radio station listing, please visit the web site:
http://www.nws.noaa.gov/nwr/coverage/station_listing.html

Occasionally the frequency of an existing or planned station must be changed because of unexpected radio frequency interfere with adjacent NOAA weather Radio Stations and/or with other Government or commercial Operations within the area. If you have a question concerning NOAA Weather Radio, please contact your nearest National Weather Service Office.



Warning

Any NOAA broadcast weather report, including current and forecasts, may not reflect your actual weather conditions at your exact time and location. You should always pay attention to your actual weather conditions to make safe decisions accordingly.

Notes for USB device

- This unit plays back MP3/WMA files stored on a USB memory.
- Back up any important data beforehand. We cannot accept responsibility for any lost data.
- Refer to the section on “Compatible USB devices” (→ below).
- Refer to the section on “Notes on MP3/WMA”.
- Connect your USB device to your car audio using a standard USB extension cable. Use of a 2 m or shorter USB 2.0 cable is recommended.



Caution for USB Device

- Do not connect a USB device directly to this unit. If the USB device is connected directly to this unit and an accident occurs, or if the brakes are applied suddenly, the driver or passenger may bump into the USB device and may get injured.
- Position the USB device and USB extension cable/ optional adaptor so that they do not obstruct your driving.
- Do not connect any USB device other than a USB memory or a USB audio player. Do not connect multiple USB devices to the USB connector. Drawing power for multiple USB devices from the connector could cause overheating and smoking.

Compatible USB devices

- USB Mass Storage Class
This refers to a type of USB device, which when connected to a PC can be used as a storage device without the need for specialized drivers or software.
For details as to whether your USB memory/ USB Audio is compatible with USB Mass Storage Class, please contact the USB memory/USB Audio manufacturer.
- USB Standard Compatibility 1.1/2.0 Full Speed
- File system is FAT12/16/32
- Maximum current less than 1 A
- Recommended capacity/partition:
Less than 32 GB/Only supported for 1 partition.

Notes:

- The use of USB devices that contain data files other than MP3/WMA stored is not recommended.
- Playback or display may not be possible depending on the type of the USB device or the condition of the recording.
- Even if PC playback is possible, it may not be possible on this product, because some USB devices are not compliant with the USB standard.
- Even with a USB device in the Mass Storage Class, playback may not be possible in some cases.

Operation Flow

- 1 Press [SRC] to select the USB mode.
- 2 Open the USB connector cover.
- 3 Using a USB extension cable, connect the USB memory to this unit.

Notes:

- When connecting (disconnecting) the USB memory, turn down the volume of the unit.
- When connecting the cables, make sure the connector is pushed all the way into the socket.
- This unit may not operate correctly, depending on USB cable's quality and length. Use of a 2 m or shorter USB 2.0 cable is recommended.

Notes:

- MP3/WMA files recognized by the unit are played back automatically.
- If the USB memory is connected to this unit when the power is turned on, playback starts automatically.

- 4 Select a desired portion.

Folder Selection

[^] (FOLDER): Next folder

[v] (FOLDER): Preceding folder

File Selection

[▶▶]]: Next file

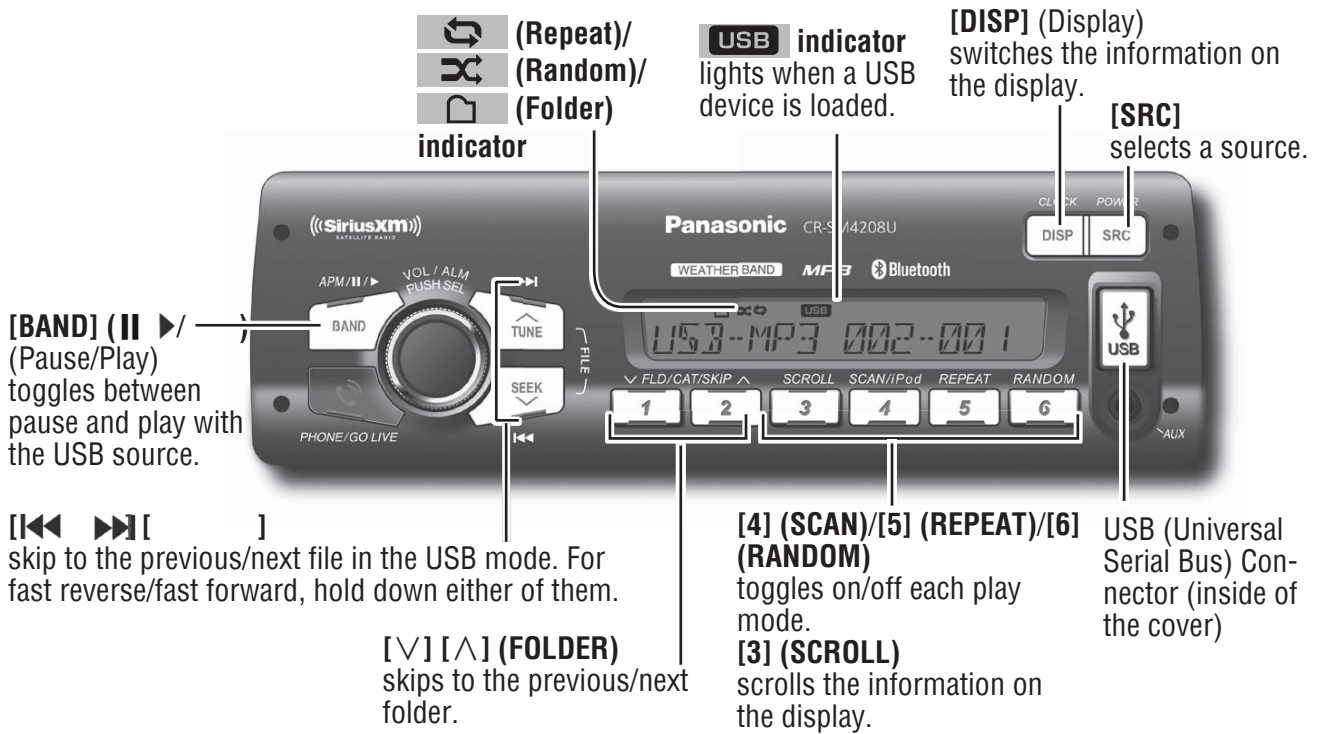
[◀◀]]: Preceding file (press twice)

Note: For fast forward/reverse, hold down either of them.

Pause

Press [BAND] (II ▶ /).

Press again to cancel.



Display change

Press **[DISP]** to change the display.

Notes:

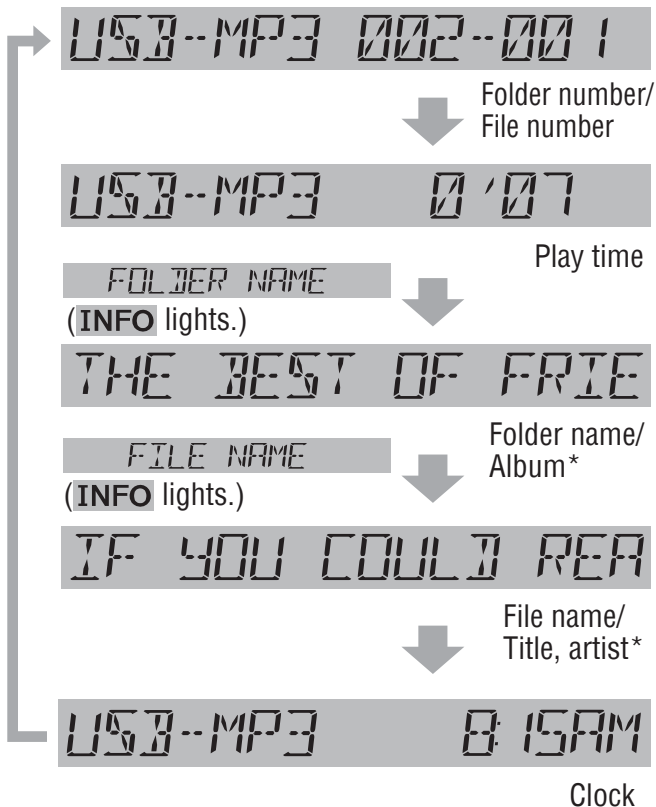
- For scrolling text, press **[3](SCROLL)**.
- "NO TEXT" is displayed when there is no information on the USB.

* ID3 Tag ON/OFF

Hold down **[3](SCROLL)** for more than 2 seconds.

TAG ON: album title and song title/artist name are displayed.

TAG OFF: folder name/file name are displayed. (Default)



USB (MP3/WMA) (continued)


Random, Scan, Repeat Play

Random Play Setting

Press [6] (RANDOM) to select the random play setting.

SONG RANDOM

Random play

All the available songs (files) are played in a random sequence. ( lights.)



Press [6] (RANDOM) again to select the folder random play.

FOLDER RANDOM

Folder random play

All the available files in the current folder are played in a random sequence. (,  lights.)



Press [6] (RANDOM) again to turn off random play.

RANDOM OFF

Random off

Return to regular play.

Scan Play Setting

Press [4] (SCAN) to select the scan play setting.

SONG SCAN

Scan play


The first 10 seconds of each song (each file) is played in sequence.



Press [4] (SCAN) again to select the folder scan play.

FOLDER SCAN

Folder scan play

From the next folder, the first 10 seconds of the first file in each folder is played in sequence. ( lights.)



Press [4] (SCAN) again to turn off scan play.

SCAN OFF

Scan off


Return to regular play.

Repeat Play Setting

Press [5] (REPEAT) to select the repeat play setting.

SONG REPEAT

Repeat play

The current song (file) is repeated. ( lights.)



Press [5] (REPEAT) again to select the folder repeat play.

FOLDER REPEAT

Folder repeat play

The current folder is repeated. (,  lights.)



Press [5] (REPEAT) again to turn off repeat play.

REPEAT OFF

Repeat off

Return to regular play.

For use with iPod

By connecting compatible with iPod devices to USB connector via a USB extension cable for iPod (USB 2.0, not included), you can enjoy music files stored on the compatible with iPod devices in your vehicle.

Note: Refer to the section on “USB (MP3/WMA)” for connection.

USB indicator

lights when a USB extension cable for iPod and iPod devices is connected with USB connector and the USB source is selected.

[BAND] (II ▶)
(Pause/Play)
toggles between pause and play with the iPod source.

**(Repeat)/
(Random) indicator**

[DISP] (Display)
switches the information on the display.

[SRC]
selects a source.

[VOL]
selects a value in the Playing Mode Selection mode.
(PUSH SEL) :Select
selects items in the Playing Mode Selection mode.

[⏮ ⏭]
skip to the previous/next file in the player mode.
For fast reverse/fast forward, hold down either of them.

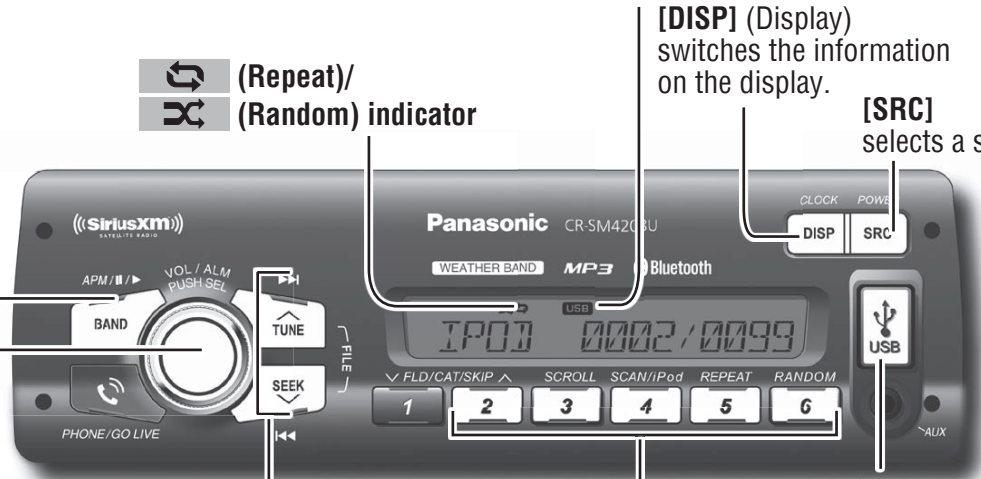
[2] (FOLDER ^)
activates the Playing Mode Selection mode.

[3] (SCROLL)
scrolls the information on the display.

[4] (SCAN/iPod)
toggles iPod control mode between head unit and iPod.

[5] (REPEAT)/[6] (RANDOM)
toggles on/off each play mode.

USB (Universal Serial Bus) Connector (inside of the cover)



Operation Flow

- 1 Connect an iPod.
- 2 Press **[SRC]** to select the iPod (USB) mode. Playback starts.

Note: If playback does not start, press **[BAND] (II ▶/)**.

File Selection

[▶▶] : Next file

[⏮] : Beginning of the current file

For the preceding file, press twice.

Notes:

- Hold down for fast forward/reverse.
- When fast forward comes to the end of a file or fast reverse comes to the beginning of a file, regular playback starts when the fast forward or reverse button is released.

Pause

Press **[BAND] (II ▶/)**.

Press again to cancel.

Playing Mode Selection

- 1 Press **[2] (FOLDER ^)** to activate the Playing Mode Selection mode.
- 2 Turn **[VOL]** clockwise or counterclockwise to adjust.

PLAYLIST: Playback by playlist (Default)

ARTIST: Playback by artist

ALBUM: Playback by album

GENRE: Playback by genre

- 3 Press **[VOL] (PUSH SEL)** to determine the selection.

- 4 Turn **[VOL]** clockwise or counterclockwise to select a portion to be played.

- 5 Press **[VOL] (PUSH SEL)** to determine the selection.

Notes:

- To exit the selection, press **[DISP]**.
- Files without an album name or an artist name are not playable in the playing mode of the album or artist display respectively.
- Playing Mode Selection is not available when this unit is switch to iPod control mode.

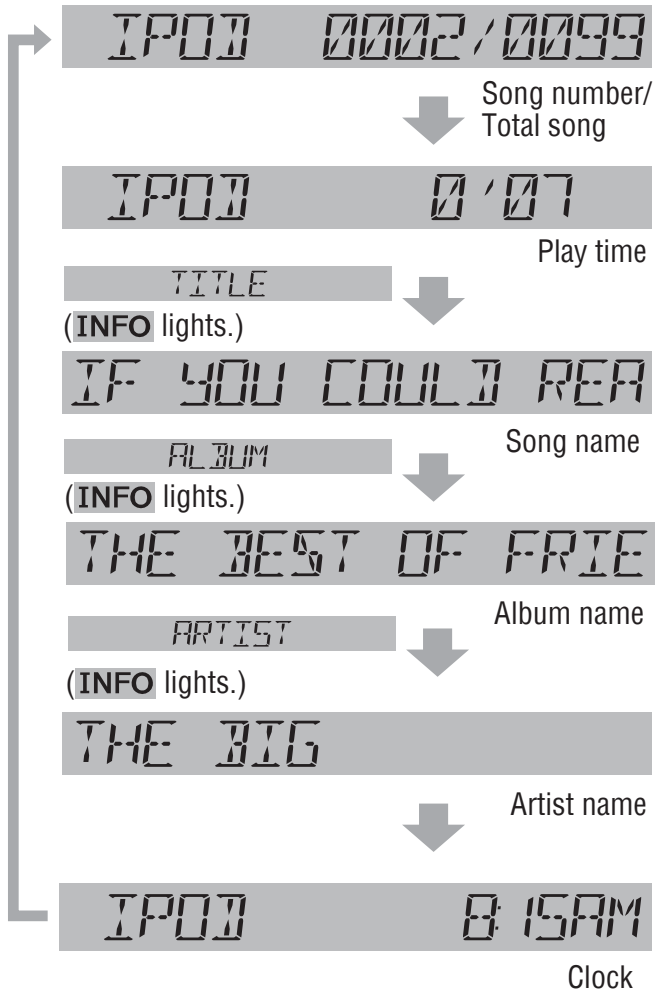
For use with iPod (continued)

Display change

Press **[DISP]** to change the display.

Notes:

- For scrolling text, press **[3](SCROLL)**.
- "NO TEXT" is displayed when there is no information on iPod.



Setting the iPod Control

When an iPod/iPhone is connected, operate it from its own controls or from this head unit can be selectable.

Press **[4] (SCAN)** to switch iPod control mode between this head unit and iPod.

IPD CTRL (HU)

iPod mode (Default):

Operate the iPod/iPhone playback via this head unit.



IPD CTRL (IPOD)

iPod control mode:

Operate the iPod/iPhone playback using its own controls.

Note: The iPod control mode (function) may not be operated/supported on the models other than compatible models listed on page 9.

Please note the controllable function under "iPod Mode" and "iPod Control Mode" on head unit may vary with iPod models.

Repeat, Shuffle Play

Repeat Play Setting

Press [5] (REPEAT) to select the repeat play setting.

ONE -- REPEAT

One song repeat play

The current file is repeated. (↻ lights.)



Press [5] (REPEAT) again to select the all songs repeat play.

ALL -- REPEAT

All songs repeat play

The all playable songs are repeated. (↻ blinks.)



Press [5] (REPEAT) again to turn off repeat play.

REPEAT OFF

Repeat play off

Return to regular play.

Note: When using iPod nano (4th generation) and this unit is under iPod control mode, the "IPOD CTRL <IPOD>" is always displayed on this unit when select repeat play setting from this unit. The repeat play setting is functional even without above corresponded display.

Shuffle Play Setting

The shuffle function of an iPod corresponds to the RANDOM function of this unit.

Press [6] (RANDOM) to select the shuffle play setting.

RANDOM ON

Songs

All the available files are played in a random sequence. (⌘ lights.)



Press [6] (RANDOM) again to select the album shuffle play.

RANDOM ON

Albums

All the playable albums are played in a random sequence. (⌘ blinks.)

Notes:

- i The Album shuffle play function is only available when the unit is switch to iPod control mode or controlled directly by iPod devices. Album shuffle function is available depending on the connected iPod/iPhone equipped with album shuffle function.
- i When the last selected play list with the iPod is song, song shuffle play is activated, and when it is album, album shuffle play is activated.



Press [6] (RANDOM) again to turn off shuffle play.

RANDOM OFF

Shuffle off

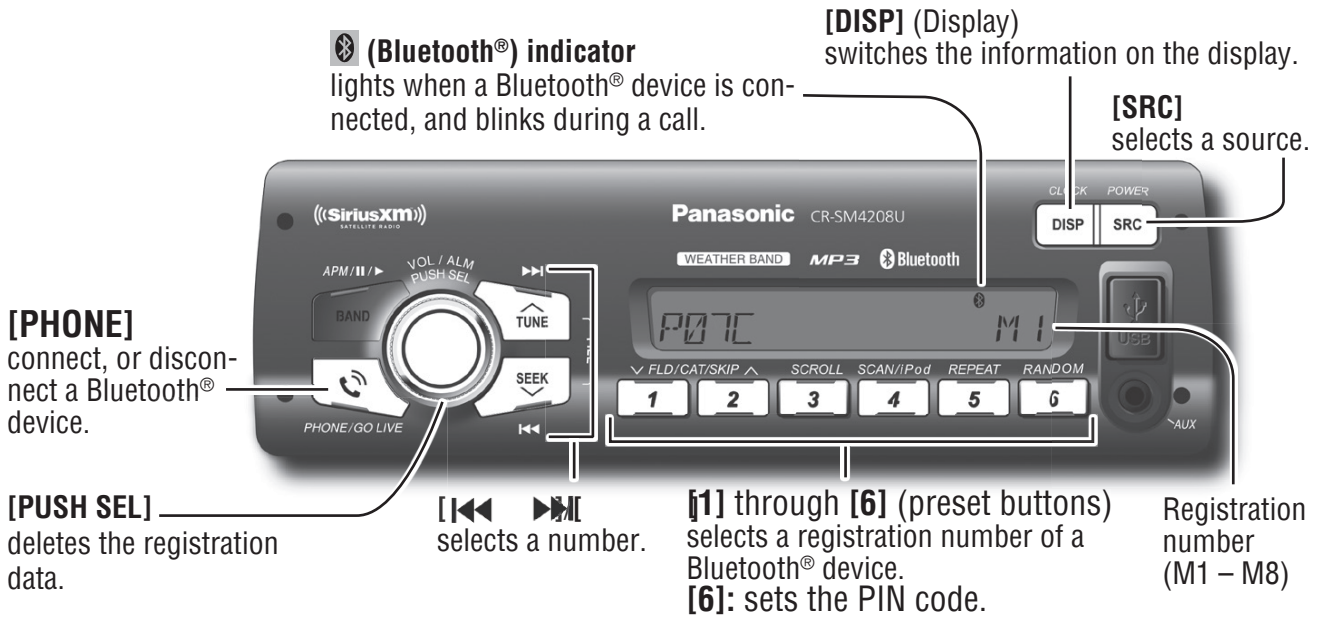
Return to regular play.

Note: Depending on the connected iPod/iPhone, repeat play or random play function or display may differ from this unit and your iPod/iPhone.

Notes:

- The shuffle function for iPod corresponds to the RANDOM function of this unit.
- Please make sure to detach the iPod after turning off the vehicle engine (turning the ACC to OFF). The iPod devices may not shut down while still connected, which may result in battery depletion.
- Please do not connect for iPod accessories such as for iPod remote control unit or headphones while connecting for iPod with the unit. The unit may not operate correctly.
- Connect this unit after turning down the volume for the iPod.
- “AUTHENTICATING” appears until for iPod is recognized after connecting for iPod. This indicates there is nothing wrong with the main unit.
- We do not guarantee all the operations of connectable devices.
- If your iPod or iPhone is not working correctly, disconnect it from this unit, reset it and then reconnect it to this unit.
- The iPod/iPhone will be recharged while connected to this unit.

Bluetooth® – General



Registration of a Bluetooth® device to this unit

- 1 首先，先查看本機藍牙設備的號碼
長壓[6]並旋轉[SEL]即可顯示藍牙配對號碼

PINCODE 0000

TRACK BT-XXXXXX

- 2 進入Bluetooth®模式後按[1] through [6] (preset buttons)其中一個數字

NO PAIRING M1

- 3 長壓 [PHONE]

WAITING

Note: To exit waiting status, press [DISP].

- 4 手機開啟藍牙搜尋本機配對號碼後點選連結即可完成藍牙配對。

CONNECTED

換頁

- 1 preset buttons 總共提供8個數字給使用者配對藍牙，按鍵[6]可顯示切換至第七及第八個Registration number.

REG. PAGE 2 M6

Notes:

- The text display of Bluetooth® device name and telephone directory on this unit is only supported with English characters, other languages and undisplayable characters/symbols will be converted into an asterisk (*).
- If registration is not successfully completed within 1 minute, "TIME OUT" appears and the screen for registration number selection resumes.
- If registration fails because of mismatched PIN code, "B/T PIN ERR" appears and the screen for registration number selection resumes.
- Depending on the communication status, it may takes 5 to 40 seconds for device connection.

Note on operation:

Some Bluetooth® devices/Phones may not connect to this unit or, even when connected, the operation method, displays, and functions may differ from the instructions within this manual.

For the Bluetooth® devices/Phones to be supported with this unit, please visit/consult your dealer to verify compatibility of your Bluetooth® devices or phones.

Display change

Press [DISP] (Display) to change the display.

P07C M1

Registered device name (Example)

↓ ↑
BLUETOOTH 1:00AM

Bluetooth® – General (continued)

Notes:

- We shall not guarantee all the functions of the Bluetooth® device to be connected. When operations cannot be performed via this unit, operate the system via the Bluetooth® device.
- Be aware that the battery of a Bluetooth® device drains faster if the Bluetooth® device is connected to this unit.
- Even when the Bluetooth® device that is connected to this unit is located near this unit, sound may be interrupted or noise may be generated.
- The Bluetooth® device with over 5-digit PIN code is not operated with this unit.
- “B/T DISCOND is displayed when the Bluetooth® device is disconnected.

Setting of PIN (Personal Identity Number) code

- 1 Hold down [6] for more than 2 seconds to call the PIN code entry mode.

PINCODE 0000 M I

- 2 Press [6] to prepare for adjustment.

PINCODE 0000 M I

1st digit blinks

- 3 Enter a number for each digit.

[<<] [>>] [] : Selects number (0–9).
[6] : Selects next digit to be entered.

PINCODE 1234 M I

Digit entered

- 4 Press [6] to determine the PIN code entry when last digit is entered.

PINCODE SET M I

Completed

Note: To check the Bluetooth® address of this head unit, press [SEL] after step 1.

Connection of the registered Bluetooth® device to this unit

- 1 First, select the matching Preset No. Bluetooth® device of interest. (Refer to the above.)
- 2 Press [PHONE] and then press [SEL] to connection.

CONNECTING M I



P07C M I

The Bluetooth® indicator (📶) lights.

Notes:

- Even if [SRC] (Source) is pressed to change the source, the connection stays connected.
- Depending on the communication status, it may takes 5 to 40 seconds for device connection.

Disconnection of the Bluetooth® device

Press [PHONE] 後再按下 [SEL] 確定斷線.

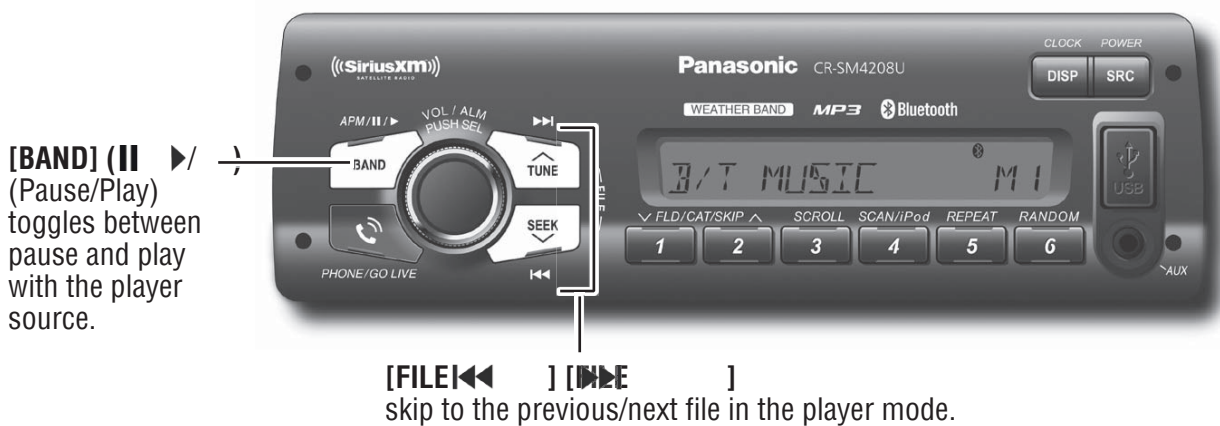
B/T DISCOND M I

The Bluetooth® indicator (📶) turns off.

Note: When the Bluetooth® device is out of reception range or encounter serious interference by outer signal, “ERROR” appears and this unit will automatically disconnect the connections.

Bluetooth® – Music Player

Note: The Bluetooth® audio devices that can be played with this unit must be compatible with A2DP (Advanced Audio Distribution Profile) or AVRCP (Audio/Video Remote Control Profile).



Music mode activation

藍牙連線後便會直接進入藍牙音樂模式

B/T MUSIC M1

(Music mode)

If [BAND] is held down for more than 2 seconds again, the phone mode is activated.

PHONE M1

(Phone mode)

Note: “INVALID” is displayed and the Phone mode is restored if 1 minute elapse in the Music mode without detecting A2DP compatible device.

Song selection

[FILE] []: Next file
[FILE] []: Hold down for fast forward. Release to resume the regular play.

[FILE] []: Back to the beginning of the current file.
[FILE] []: Back to the previous file. (press twice)

Notes:

- The control of pressing [FILE] []/[FILE] [] in music mode depends on the definition of connected device.
- Depending on the specifications of the connected audio device, operations may not work.

Pause

Press [|| > /] (Pause/Play)

Press again to cancel.

Note: Some mobile phones automatically switch to energy saving mode or sleep mode when pause the music playback, and automatically disconnected the Bluetooth® connection (“B/T DISCOND” is displayed on this unit).

But if you want to reconnect the Bluetooth® connection, performing playback on the mobile phone itself.

Bluetooth® – Hands-Free Phone

[BAND]

switches between the private mode and hands-free mode.

[PHONE]

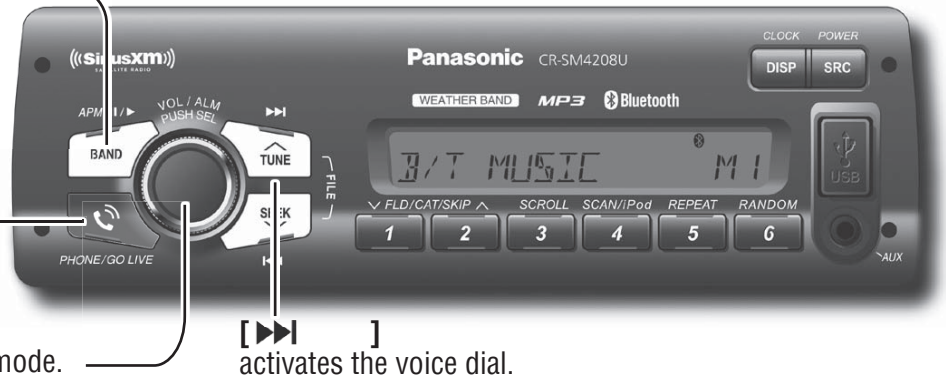
picks up the phone, makes a call, or rejects the call.

[VOL]

switch the record

(PUSH SEL) :Select

selects items in the selection mode.



[▶▶]

activates the voice dial.

Phone answering

Press **[PHONE]** during a call incoming.

The Bluetooth® indicator (📶) blinks during a call incoming/making a call.

Notes:

- During a call incoming, the volume of this unit automatically switches to 18, it restores to the original volume setting when phone answering or call rejecting.
- If the automatic answering function is activated, conversation can be automatically started after receiving a call. (Refer to the below.)

Phone hanging up

Press **[PHONE]** during a call.

Switching between the private mode* and hands-free mode

Press **[BAND]** during a call.

The private mode and hands-free mode switch alternately every time **[BAND]** is pressed.

PRIVATE TALK M1



(Private mode)

3/T HF TALK M1

(Hands-free mode)

* The private mode is defined as the mode where conversation is conducted with the mobile phone in a usual manner without the hands-free function.

Incoming call rejection

Hold down **[PHONE]** for more than 2 seconds during a call incoming.

CALL REJECTED M1

Outgoing call termination

Hold down **[PHONE]** for more than 2 seconds

during making a call. (When other party does not answer the call.)

TERMINATED M1

Setting of automatic answering function

Hold down **[6]** for more than 2 seconds at the standby state.

Turn **[VOL]**

The display changes as follows:

PINCODE 0000

(Pincode mode)

TRUCK BT-XXXXXX

(Bluetooth Address mode)

AUTO-ANS OFF M1

(Automatic answering deactivated)

Press **[SEEK]** ^/∨

AUTO-ANS ON M1

(Automatic answering activated)

Note: To have a mobile phone conversation with use of this unit, the mobile phone shall be compatible with the Hands-Free Profile.

Use of receiving/calling records or telephone directory (phonebook)

1 Press **[BAND]** at the standby state.

2 Push **[SEL]** (Select).

The display changes as follows:

MISSED CALL

Receiving record with no responding



The record of receiving calls (up to 5 records) that have not been taken is displayed. Rotation of **[VOL]** allows users to switch the record to be displayed. Pressing **[PHONE]** allows users to make a call to the displayed record.

RECEIVED CALL

Receiving record with conversation made



The record of receiving calls (up to 5 records) that have been taken is displayed. Rotation of **[VOL]** allows users to switch the record to be displayed. Pressing **[PHONE]** allows users to make a call to the displayed record.

DIALED CALL

Calling record



The calling record (up to 5 records) is displayed. Rotation of **[VOL]** allows users to switch the record to be displayed. Pressing **[PHONE]** allows users to make a call to the displayed record.

PHONE BOOK

Telephone directory



The telephone directory is displayed.

Rotation of **[VOL]** allows users to switch the data registered on the telephone directory to be displayed. (up to 6 entries)

Pressing **[PHONE]** allows users to make a call to the displayed data.

Pressing **[BAND]** allows the deletion mode to be activated to delete the displayed data on the telephone directory. If **[BAND]** is pressed again after "SURE TO DEL?" appears, the currently displayed one piece of data on the telephone directory is deleted.

Note: To use this function, the telephone directory must be imported from Bluetooth® mobile phone to this unit. (Refer to the below)

CONTACT IMPOR

Telephone directory manually import mode



This unit becomes standby for importing the telephone directory from a Bluetooth® mobile phone. (Each time for single directory data transmission)

Operate the Bluetooth® mobile phone to transmit the telephone directory data to this unit.

Notes:

- To use this function, the mobile phone must be compatible with the Object Push Profile.
- "IMPORT ERROR" is displayed and the regular mode is restored if 1 minute elapses in the "IMPORT" flashing period without importing the telephone directory from mobile phone.

VOICE DIAL

Voice dialing

Hold down **[SEL]**, and Pronounce the name registered on the telephone directory.

If the name matches with a piece of data on the telephone directory registered with the mobile phone, the telephone number of the name is dialed.

Note: The Bluetooth® mobile phone itself must be equipped and support voice dial function.

Frequency band used

This product uses the 2.4 GHz frequency band, but other wireless devices may also use the same frequency. Note the following to prevent radio waves interfering with other wireless devices. Microwave ovens and other industrial, scientific, and medical equipment, in-plant radio stations used for mobile object identification on, for example, the production lines of factories, specified low power radio stations that do not require a license, amateur radio stations, and the like (hereafter abbreviated as “other radio stations”) operate in the same frequency band as this product.

Usage limitations

- This product is not guaranteed to be able to perform wireless communication with all Bluetooth® compatible devices.
- Bluetooth® compatible devices for wireless communication comply with the standard defined by Bluetooth® SIG, Inc., and need to receive certification. However, even if a Bluetooth® compatible device complies with the standard, a connection may not be possible, or the operating procedure, display, or operation may differ because of the specifications or settings of the device.
- This product includes support for security functions compliant with the Bluetooth® standard, but security may sometimes be insufficient depending on the operating environment and settings. Be careful during wireless communication.
- We assume no responsibility whatsoever for data generated or information leaked during wireless communication.

Influence from other devices

- If this product is used near another Bluetooth® compatible device or a device that uses the 2.4 GHz frequency band, problems such as the device not working properly and noise generation are likely to occur because of radio wave interference.
- This product may not work properly if there is a broadcasting station or the like nearby, and the surrounding signal is too strong.

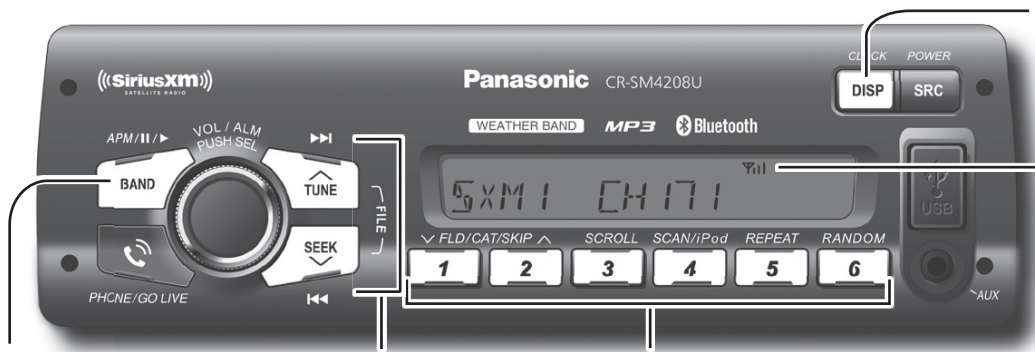
Application limitations

- To use this product for listening to music or for a Hands-Free call, the Bluetooth® compatible device needs to support the following Bluetooth® version. Bluetooth® Standard Ver. 2.1
- To use this product for calling with a mobile phone, the mobile phone needs to support the Hands-Free Profile.
- To transfer the contacts of a mobile phone to this product, the mobile phone needs to support the Object Push Profile.
- A connection may not be possible, or the operating procedure, display, or operation may differ because of the specifications or settings of the Bluetooth® compatible device.
- Even if this product and Bluetooth® compatible device are close to each other, sound may be intermittent or affected by noise because of the state of the signal.

Bluetooth®

The Bluetooth word mark and logo are owned by the Bluetooth SIG, Inc.

SiriusXM Satellite Radio Control



[BAND] selects a band in the SiriusXM source.

[TUNE ∨] [TUNE ∧] selects an available/subscribed channel.

Preset buttons [1] through [6] select a preset channel in the SiriusXM source, preset the current channel (by holding it down for more than 2 seconds).

[∨] [∧] (FOLDER) skip to the previous/next category.

[DISP] (Display) switches the information on the display.

Signal strength indicator

Connecting SiriusXM antenna

Connect the optional SiriusXM antenna.

Getting started

A SiriusXM subscription (sold separately) is required to receive programming. You can subscribe by calling SiriusXM listener care or by going on line - see below for details.

1 Check the Radio ID.

- To show the Radio ID on the display, tune to channel 0. (Refer to "Channel Selection".)

XR57763C

Radio ID display (example)

2 Activate the SiriusXM Satellite Radio by calling or going on-line:

- Web site:
<http://www.siriusxm.com/activatenow>
- Phone number: 1-866-635-2349

Note: The Radio ID does not use the letter I, O, S, or F.

Band selection

Press **[BAND]** to change the band.

SXM1 → SXM2 → SXM3

Featured Favorite Band 1

Featured Favorite Band 2

Featured Favorite Band 3

Channel selection

[TUNE ∧]: Next available/subscribed channel

[TUNE ∨]: Preceding available/subscribed channel

Hold down for seek forward/reverse.

Note: "CHAN*** LOCKED" is displayed if a channel is selected that has been locked by the parental lock setting, follow the procedure next on "Channel unlocking" to unlock the channel.

Channel unlocking (passcode entry)

To receive a channel locked by a parental lock, a passcode needs to be entered after tuning to the channel. (Refer to page 37 for parental lock setting.)

1 Tune to a channel locked by a parental lock.

CHAN 21 LOCKED

ENTER CODE

2 Press [▶▶] or [◀◀] to select a number.

ENTER CODE 1

3 Press [BAND] to shift to the right adjacent digit.

ENTER CODE *1

A digit where entry is determined is indicated as "*".

- Repeat the steps 2 and 3 to enter a 4-digit number code.

When a 4-digit number code is correctly entered and **[BAND]** is finally pressed, the all locked channels are unlocked and start to be received. (Once turns ACC ON/OFF, the channels return to previous locked status)

Notes:

- If a wrong number code is entered when selects a locked channel, "WRONG CODE" is displayed and returns to Channel 1.
- If 10 seconds elapse before determining the entry of the number code, "TIME OUT" is displayed and returns to previous channel.
- To exit the passcode entry, press **[DISP]** and returns to previous channel.
- To change the parental lock passcode, refer to page 37 for setting.

Channel preset

Up to 6 channels can be preset in SXM1 to SXM3 respectively.

- Use manual or seek tuning to tune into a channel.
- Press one of the preset buttons from **[1]** through **[6]** to select, for example:

Press **[2]**

PRESET 2 READING

↓ Press [2]

PRESET 2 WRITING

↓ After 2 seconds.

SXM1 CH10 M2

Note: New channels overwrite existing saved channel after this procedure.

Preset channel selection

Press the corresponding preset button **[1]** through **[6]** to tune in a preset channel.

Selection by category

Category setting

You can toggle the category selection mode ON and OFF every time you hold down **[BAND]** for more than 2 seconds. If the category is set to ON, the unit operates as follows for each button:

Notes:

- When category is set to ON, the letter "c" is displayed followed by channel number.

- When category selection mode is active, as indicated by "c", the preset buttons are disabled. Turn off category selection mode to re-enable the preset buttons.

Category selection

[FOLDER ^]: Next category

[FOLDER v]: Preceding category

Channel selection

[TUNE ^]: Next available/subscribed channel in current category

[TUNE v]: Preceding available/subscribed channel in current category

Note: The simulate category of "All Channel" is selectable in category selection.

Display change

Press **[DISP]** (Display) to change the display of different metadata information.



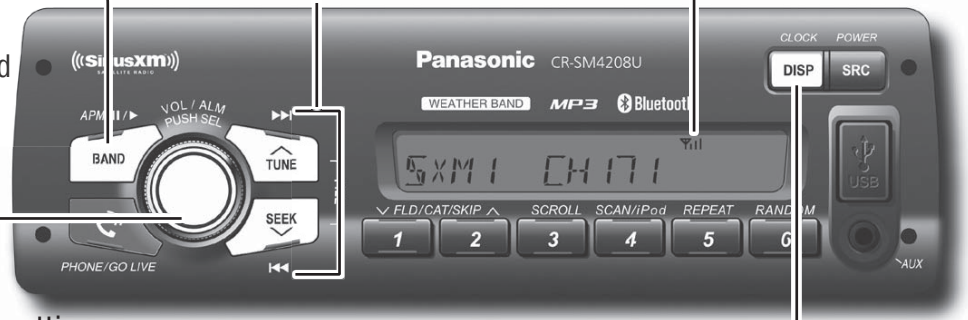
Note: "----" is displayed when there is no information on the selected channel.

[BAND]
 shifts to the next digit.
 selects the code entry mode.
 exits code entry mode.
 changes a channel to be locked
 or unlocked.

[]
 selects a number.

Signal strength indicator

[VOL]
 opens the function setting.
(PUSH SEL :Select)
 opens or exits the function setting.
 determines the selection.



[DISP] (Display)
 switches the information on the display.

System control mode selection



SiriusXM radio display

↓ Hold down **[SEL]** for more than 2 seconds to open SXM function setting screen.



SiriusXM function setting mode
Note: See below "Function settings" for its inside setting.

↓ Turn **[VOL]** to open alarm time setting screen.



Alarm time setting mode
Note: Refer page 40 and follow its steps from 2 to 6 to set alarm time if needed.

Turn **[VOL]** back to SXM function setting screen.

Function settings

Channel direct selection mode

A channel is directly selected with the channel number entry.

1 Hold down **[SEL]** for more than 2 seconds to open SXM function setting screen.



2 The radio automatically enters the SXM direct channel selection mode after 2 seconds when entering the SXM function setting screen.



Channel direct selection mode

3 Press **[]** or **[]** to select a number.



4 Press **[BAND]** to enter the next digit.



5 If necessary, repeat steps 3 and 4 to enter more digits of the channel number.

6 Push **[SEL]** when done entering the channel number digits and the radio tunes to the desired channel.

Notes:

- "CHAN*** UNAVAIL" is displayed when the requested channel is not valid. Visit www.siriusxm.com to see the list of channels available.
- "CHAN*** UNSUB" is displayed when the requested channel is not part of the current subscription package. Visit www.siriusxm.com for information on subscription packages.

Function settings (continued)

Parental lock setting mode

This function disables the audience from selecting the locked channel.

- 1 Hold down [SEL] for more than 2 seconds to open SXM function setting screen.

SXM FUNCTION

- 2 When "DIRECT TUNING" is displayed, push [SEL] to select parental lock setting mode.

PARENTAL LOCK

(Parental lock setting mode)

- 3 Enter a 4-digit passcode, then press [BAND] when finished.

ENTER CODE 1 _ _ _

- ① Press [▶▶] or [◀◀] to select a number.
- ② Press [BAND] to shift to the right adjacent digit.
A digit where entry is determined is indicated as "*".
- ③ Repeat the steps ① and ② to enter a 4-digit number.

Note: (Default: 1111). If you want to initialize the passcode, hold down [DISP] for more than 10 seconds while passcode entry, the 4-digit passcode will return to the default.

- 4 Press [TUNE ^] or [TUNE v] to select a channel.

- 5 Press [BAND] to switch a select channel to be locked or unlocked.

CH 2 UNLOCKED



unlocked

CH 2 LOCKED

locked

Note: Channel 0 (CH 0) and Channel 1 (CH 1) can not be locked.

- 6 When done selecting the locked channels, press [DISP] to exit the function setting or push [SEL] to change the parental lock ON/OFF setting.

OR

To set parental lock ON/OFF:

- 4 Push [SEL] to open lock ON/OFF mode after step 3.

- 5 Turn [VOL] to switch between lock ON or OFF.

CHAN LOCK ON



(Default)

CHAN LOCK OFF

- 6 When done selecting the parental lock ON/OFF setting, push [SEL] to exit the function setting mode.

OR

To change the parental lock passcode:

- 4 Hold down [BAND] for more than 2 seconds after step 3.

NEW CODE _ _ _ _

(New code entry mode)

- 5 Enter a new 4-digit code, then press [BAND] when finished.

- ① Press [▶▶] or [◀◀] to select a number.
- ② Press [BAND] to shift to the right adjacent digit.
A digit where entry is determined is indicated as "*".
- ③ Repeat the steps ① and ② to enter a 4-digit number.

- 6 Repeat step 5 to confirm the new code.

"NEW PASSCODE SET" is displayed for 2 seconds and the new code setting is finished, then returns to channel locked/unlocked setting display.

[BAND] (II) (Pause/Play) toggles between pause and play with the instant replay mode. activates antenna aiming mode. toggles the category selection mode ON and OFF.

[PUSH SEL] selects "BASS" or "TREBLE" in the audio menu.

Signal strength indicator

[GO LIVE] SiriusXM instant replay mode.

[V][^] skips to the next/previous song

[DISP] (Display) switches the information on the display.

[<<] [>>] skips to the previous/next channel in the SiriusXM instant replay mode. For fast reverse/fast forward, hold down either of them.

SiriusXM Featured Favorite

1 Press **[BAND]** 並停留在 "Featured Favorite Band 1", to "Featured Favorite Band 3" 任何一個您喜愛的單元，畫面會顯示如下

SXM FEATURED-1

↓ 當LED燈顯示跑完字幕後，會顯示

SXM CH1699

↓ 點選任一個按鍵中您想選擇的頻道

PRESET 2 READING

↓ 當設定完成畫面會顯示您剛才選擇好的頻道

SXM CH169 F M2

SiriusXM antenna aiming mode

The signal level of the SiriusXM broadcast wave can be examined to mount the antenna on a place where the reception state is optimum.

- 1 Press **[SEL]** (Select) to select "BASS" or "TREBLE" for the audio mode.
- 2 Hold down **[BAND]** for more than 4 seconds to activate the antenna aiming mode.

SXM ANT AIMING

- 3 Each time when **[<<]** or **[>>]** is pressed, the satellite signal level and terrestrial signal level are alternately displayed.

SAT LEVEL 100

(Satellite signal level, range: 0 to 100)



TERR LEVEL 100

(Terrestrial signal level, range: 0 to 100)

Notes:

- To exit from the SiriusXM antenna aiming mode, press **[SEL]** (Select) or **[DISP]**.
- If "DIAGNOSTIC MODE" display appears, press **[SEL]** or **[DISP]** to exit. (The diagnostic mode is used for factory adjustment purpose.)

SiriusXM instant replay mode

Replay allows the user to pause, rewind and replay content from the active channel.

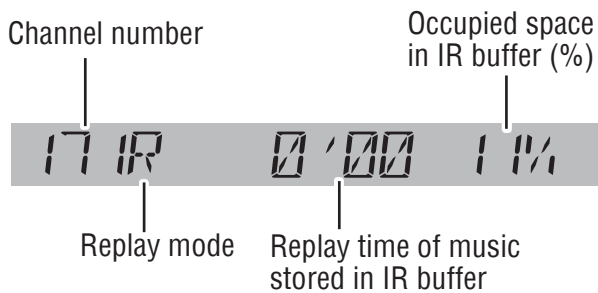
Music stored in the IR (Incremental Redundancy) buffer can be replayed.

- 1 Hold down [1] button (選目前頻道的前一首歌曲) to activate the SiriusXM instant replay mode.

SXM REPLAY MODE

↓ (2 seconds later)

[Example]



Music stored in the IR buffer is automatically replayed. (REPLAY indicator lights.)

SiriusXM Tune Scan

- 1 Hold down [4] button 啟動Tune Scan.

SXM! CH:99 M3



Hold down [4].

TUNE SCAN ON



等待2秒後畫面顯示如下

SXM! CH:99 M3

註:每六秒自動切換頻道一次

SiriusXM Tune Start

Press [1] through [6] to select any of the favorite channel in Instant Replay mode.

SiriusXMSatelliteRadioControl (continued)

SiriusXM instant replay mode (continued)

2 Select a desired portion.

Previous/next Channel Selection

Press [**◀◀ ▶▶**] [**▶▶**].

Note: To perform fast reverse/forward, hold down either of them.

Music Selection(Smart Favorite)

[**∇**] : Next song

[**∧**] : Previous song

Pause

Press [**BAND**] (**|| ▶/**).

Press again to cancel.

Category selection mode ON/OFF

Press [**BAND**] (**|| ▶**) for more 2 seconds.

Note: To exit from the SiriusXM instant replay mode and return to the SiriusXM live mode, press [**REPLAY**].

(**REPLAY** indicator turned off.)

Display change

Press [**DISP**] (Display) to change the display of different metadata information.



Note: “---” is displayed when there is no information on the selected channel.

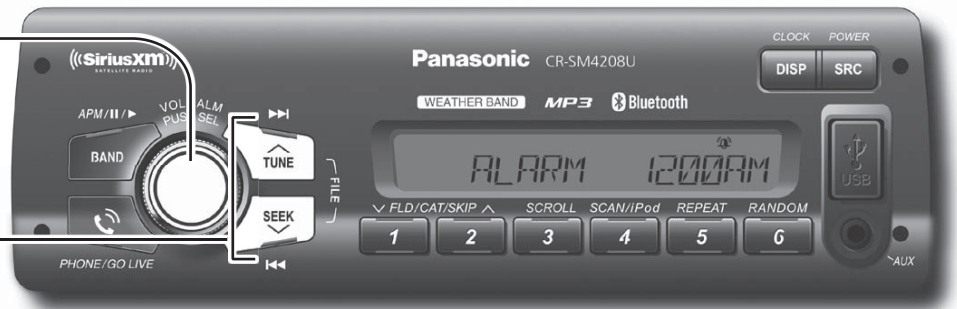
Notes:

- Do not perform BAND selection (from SXM1 to Featured Favorite Bond), seek tuning, or preset memory operation in the SiriusXM instant replay mode.
- When the category is set to ON, the category selection is disabled (but the signal strength indicator still operates).
- When the replay point of the buffer is catching up with the live music data and is behind by 20 seconds, “MEMORY NEAR FULL” is displayed for 5 seconds.
- When the replay point of the buffer catches up with the live music data, music replay needs to be temporarily stopped. “REPLAY MEM FULL” is displayed for 10 seconds. And then, “REPLAY MEM FULL” is displayed once every 30 seconds.

Alarm Setting

[ALM] selects items in the alarm time setting.

[<<<] [>>>] sets the hour and minute



Alarm time setting

*The 12-hour system is used for example.

1 Hold down **[ALM]** (Alarm) for more than 2 seconds.



“ALARM ADJUST” is displayed when the alarm time is not adjusted.

2 Hold down **[ALM]** for more than 2 seconds after the above display is shown.



3 Adjust the hour.

[>>>] : Sets ahead.
[<<<] : Sets back.



4 Push **[ALM]**.



5 Adjust the minute.

[>>>] : Sets ahead.
[<<<] : Sets back.



6 Push **[ALM]** to complete.



The alarm is set to ON automatically after complete alarm time setting.

Alarm indicator (🔔) lights.

Notes:

- When the clock (➡ page 11) is not set, perform and complete the alarm time setting, the clock time will set to “13:00” automatically. Please readjust the clock time depending on the actual clock time.
- Hold down **[<<<]** or **[>>>]** to change numbers rapidly.
- When you want to readjust the alarm time, repeat steps **1** to **6**.

Alarm Setting (continued)

Turning ON/OFF the alarm

- 1 Hold down **[ALM]** for more than 2 seconds.



ALARM 12:00AM

(Alarm time display)


- 2 Push **[ALM]**.



ALARM OFF

(Alarm ON/OFF setting)

- 3 Turn **[VOL]** (Volume) clockwise or counterclockwise to select alarm ON or OFF, then push **[ALM]** again to confirm the setting.

(Select alarm ON,  lights.)

Notes:

- Before turn ON the alarm, make sure the alarm time is set. Failure to heed this will cause invalid selection of alarm ON.
- Hold down **[ALM]** for more than 2 seconds when the alarm is sounding also turns off the alarm.
- Access of alarm ON/OFF is available by push **[ALM]** in the “Alarm time display”.

Activating snooze

Press any button on this unit when the alarm is sounding.



SNOOZE

The alarm will sound again in 9 minutes.

Notes:

- If you do not turn the alarm off when the alarm is sounding, the alarm sound will shut off after an hour. (Including the amount of time the alarm was postponed (snooze))
- If you connect with the optional wired remote control unit (RSA-300), please notice the ALARM button on RSA-300 only reflect the function of Display Alarm Time. (It's not feasible for long key operation)

Troubleshooting

If you suspect something wrong

Check and take steps as described below. If the described suggestions do not solve the problem, it is recommended to take the unit to your dealership. The product should be serviced only by qualified personnel. Please refer the checking and the repair to professionals. We shall not be liable for any accidents arising out of neglect of checking the unit or your own repair after your checking.

Never take measures especially for those other than indicated by *italic* letters in “Possible Solution” described below because those are too dangerous for users to handle themselves.



Warning

- Do not use the unit in an irregular condition, for example, without sound, or with smoke or a foul smell, which can cause ignition or electric shock. Immediately stop using the unit and consult your dealership.
- Never try to repair the unit by yourself because it is dangerous to do so.

Common

Problem	Possible cause → Possible solution
No power to the unit	<p>The power cord (battery, power and ground) is connected in the wrong way. → Check the wiring.</p>
Sound is not generated.	<p>Volume is set to zero (0). → <i>Adjust volume.</i></p>
	<p>There is contact between the external mute lead and the chassis. → Connect the external mute lead correctly. If the lead is unused, insulate it.</p>
	<p>The wiring of speaker lines are not correct, or a break or poor contact arises. → Check the wiring in accordance with the wiring diagram.</p>
Noise	<p>There is an electromagnetic-wave generator such as a mobile phone near the unit or its electrical lines. → <i>Keep an electromagnetic-wave generator such as a mobile phone away from the unit and the wiring of the unit. In case that noise cannot be eliminated due to the wiring harness of the vehicle, consult your dealership.</i></p>
	<p>The contact of the ground lead is poor. → Make sure that the ground lead is connected to an unpainted part of the chassis securely.</p>
Noise is made in step with engine revolutions.	<p>Alternator noise comes from the vehicle. → Change the wiring position of the ground lead. → Mount a noise filter on the power supply.</p>
Some operations are not executable.	<p>Some operations are not executable in particular modes such as menu mode. → <i>Read the operating instructions carefully and cancel the mode. If the unit is still out of order, consult your dealership.</i></p>
No sound from speaker(s)	<p>BALANCE/FADER setting is not appropriate. → <i>Readjust BALANCE/FADER.</i></p>
	<p>There is a break, a short circuit, poor contact or wrong wiring regarding the speaker wiring. → Check the speaker wiring.</p>

Troubleshooting (continued)

The speaker channels are reversed between right and left.

The speaker wiring is confused between right and left.
→ **Perform the speaker wiring in accordance with the wiring diagram.**

The sound field is not clear in the stereo mode. Central sound does not settled.

The plus and minus terminals at right and left channels of speakers are connected reversely.
→ **Perform the speaker wiring in accordance with the wiring diagram.**

The power fails unintentionally.

The safety device works.
→ **Consult your dealership.**

Clock time is reset.

Battery cable is not correctly connected.
→ **Connect the battery cable to the terminal that is always active.**

Radio

Poor reception or noise

Antenna installation or wiring of antenna cable is faulty.
→ **Check whether the antenna mounting position and its wiring are correct. In addition, check to see whether the antenna ground is securely connected to the chassis.**

No power is supplied to the antenna amplifier (when using a film antenna, etc.).
→ **Check the wiring of the antenna battery lead.**

The number of auto preset stations is less than 6.

The number of receivable stations is less than 6.
→ **Move to an area where receivable stations number is maximum, and try presetting.**

USB (MP3/WMA)

Music is not played back even if a USB device is connected.

The USB device and USB extension cable are not connected correctly.
→ **Connect the USB device and USB extension cable correctly.**

There is no music stored in a format that is supported on this unit.
→ **Check if there is any music data that can be played stored on the USB device.**

The file system of the USB device is not compatible with this unit.
→ **Use a USB device with a FAT12/16/32 file system.**

Use a USB device with a FAT12/16/32 file system.
→ **Use a USB device with a current consumption lower than 1A.**

“READING” is displayed but music is not played back.

A USB hub is connected.
→ **Do not use a USB hub.**

Too many recorded folders/files exist.
→ **When there are too many recorded folders/files, it may take a long time to read all of the files.**

Troubleshooting (continued)

Bluetooth®

Unable to register, connect, or call.

Devices incompatible with HFP (Hands-Free Profile) cannot be used.

→ **Use devices compatible with HFP (Hands-Free Profile).**

The mobile phone is not registered on this product.

→ **Connecting and calling with an unregistered mobile phone is not possible. Register the mobile phone on this product.**

The mobile phone is not connected.

→ **Calling is not possible if the mobile phone is not connected to this product. Connect the mobile phone to this product.**

The Bluetooth® device can not pair/register with this unit successfully.

→ **Check the device Bluetooth® setting is set to ON.**

→ **Delete the paired memory within Bluetooth® device and main unit, then pair again.**

→ **Switch OFF and ON with device Bluetooth® function, then pair again.**

→ **Check the device PIN code, then input the correct PIN code for connection.**

This unit and Bluetooth® device are too far apart.

→ **Bring this unit and Bluetooth® device close together and try to pair again.**

The other party in the call complains of echoing or noise.

The voice of the other party heard from the car speakers is being picked up by the microphone and returned to the other party.

→ **Close the windows.**

→ **Move the microphone away from the car speakers.**

→ **Lower the volume.**

Phone voice is of poor quality.
Phone voice is inaudible.

Mobile phone reception is poor.

→ **Check mobile phone reception.**

Bluetooth® audio does not work.

The Bluetooth® audio-compliant device does not support A2DP/AVRCP.

→ **Check the instruction manual of the Bluetooth® audio-compliant device for support conditions.**

Some mobile phones can not play music via Bluetooth® if mobile phone is not in the music player mode.

→ **Operate mobile phone, select the music player mode, then press PLAY to play the desired music file via Bluetooth® communication.**

Bluetooth®

Bluetooth® audio cannot be heard.

The main unit is not in the Bluetooth® music mode.

➔ **Check and switch to the Bluetooth® music mode.**

The Bluetooth® audio is not output from mobile phone or Bluetooth® audio device.

➔ **Switch OFF and ON with mobile phone or Bluetooth® audio device for reestablish the communication.**

The music is paused temporarily.

➔ **Press [BAND] button on this unit to resume music play.**

Some mobile phones can not restore the A2DP communication with music mode after ended phone conversation.

➔ **Press [BAND] button twice on this unit to restore the A2DP communication.**

Telephone voice dial does not work.

The mobile phone does not support the voice dial function.

➔ **Change to another mobile phone which supports the voice dial function.**

The distance between user and microphone is too far apart, the sound is low, or the surrounding is noisy.

➔ **Speak toward the microphone closer and keep the surrounding quiet.**

Sound skipping with Bluetooth® audio

This unit and Bluetooth® device are too far apart.

➔ **Bring the Bluetooth® device closer to this unit.**

There is another wireless device near this unit and interference occurs.

➔ **Switch off the other wireless device and keep it away from this unit.**

Other wireless device is using the Bluetooth® profile excluding from main unit. (Ex. All phonebook transmission)

➔ **Switch off the transmission with wireless device.**

Unable to import the telephone directory.

The mobile phone dose not support Bluetooth® OPP (Object Push Profile) function.

➔ **Change to another mobile phone which supports Bluetooth® OPP function.**

There is no telephone or name information within exported directory.

➔ **Confirm the directory information is completely and correctly.**

The mobile phone is too far apart or communication interference occurs.

➔ **Bring the mobile phone closer to this unit or switch off the other wireless device and keep it away from this unit.**

Troubleshooting (continued)

SiriusXM Satellite Radio Control

Channel unselectable	▶ → No contract with Sirius XM Radio Inc. → Referto page 34 of this book and the SiriusXM's website to sign up for SiriusXM Radio service.
Check antenna	▶ → SiriusXM Antenna is disconnected or damaged. → Make sure the antenna is properly connected to this main unit.
No signal	▶ → SiriusXM broadcasts unreceivable because of poor receiving conditions. → Moveto an area where SiriusXM broadcasts can be received well.
Channel unsubscribed	▶ → The channel you have selected is not part of your subscription plan. → Call SiriusXM Listener Care to subscribe. 1-866-635-2349
Channel unavailable	▶ → The requested channel is not valid. → Visit www.siriusxm.com to see the list of channels available.

Product servicing

If the suggestions in the charts do not solve the problem, we recommend that you take it to your dealership. The product should be serviced only by a qualified technician.

Error Display Messages

USB (MP3/WMA)

NO USB

A USB device is not connected or the connected device cannot be recognized.

→ **Use a USB memory that is suitable for this unit.**

USB--MP3 --E1--

No playable files exist.
An unsupported USB device is connected.

→ **Use a USB memory that is suitable for this unit.**

→ **Record files that can be played back on this unit onto the USB memory.**

USB--MP3 --E2--

A USB device that exceeds the current capacity that can be supplied is connected. For some reason, an over-current was detected.

→ **Use a USB memory that has a consumption current of less than 1 A.**

→ **Switch the Source, and select the USB (MP3/WMA) mode again.**

→ **Switch the power off/on, and select the USB (MP3/WMA) mode again.**

→ **Check that the USB connector section is not dirty, and that there is no foreign objects.**

USB (MP3/WMA)

USB--MP3 --E3--

No operation by some cause

- ➔ **Turn off the power and turn on the power again, or turn the key to the ACC OFF position and turn the key to ACC ON position again. If this does not solve the problem, unplug the power cord and plug it in again. In case the unit is still out of order, consult your dealership.**

USB--MP3 --E4--

The player cannot read the file you are trying to play for some reason. (File recorded in an unsupported file system, compression scheme, data format, file name extension, damaged data, etc.)

- ➔ **Confirm that the USB extension cable is firmly connected, and reconnect if not. Select a file that the player can read. Check the type of data stored in the USB memory. Format the USB memory if necessary.**

USB--WMA --E5--

The WMA file can be copyrighted.

- ➔ **The file protected by copyright is not playable.**

For use with iPod

NO IPOD

The iPod is not recognized correctly.

- ➔ Sometime could be taken for the iPod to be recognized.
- ➔ **Check the connection.**
- ➔ **Reset the iPod, and then connect it again.**

NO DATA

Your iPod has no playable music.

- ➔ **Download playable music to your iPod.**

NO TITLE

The song has no title.

- ➔ **Name the title to the song.**

UNSUPPORTED

The connected iPod is not supported by this unit.

- ➔ **Connect a supported iPod to this unit.**

Bluetooth®

B/T MODULE ERR

The Bluetooth® module for some reason cannot function.

- ➔ **Switch the power or ACC ON/OFF. In case the unit is still out of order, consult your dealership.**

B/T COMM. ERR

Bluetooth® communication error (Module and System)

- ➔ **Switch the power or ACC ON/OFF. In case the unit is still out of order, consult your dealership.**

SiriusXM Satellite Radio Control

CHECK TUNER

No operation by some cause.

➔ **Switch the power or ACCON/OFF. If this does not solve the problem or this unit is still out of order, consult your dealer to ask repairs.**

SUBSCRIPTION



UPDATED --



PRESS "SEL" TO



CONTINUE



(Return to "SUBSCRIPTION")

The subscription information was updated.

➔ **Pressing [SEL] returns to the previous screen.**

CHECK ANTENNA

SiriusXM Antenna is disconnected or damaged.

➔ **Makesuretheantennaisproperlyconnected to this main unit.**

NO SIGNAL

SiriusXM broadcasts unreceivable because of poor receiving conditions.

➔ **MovetoanareawhereSiriusXmbroadcasts can be received well.**

CHAN 171 UNSUB

The channel you have selected is not part of your subscription plan.

➔ **CallSiriusXMListenerCaretosubscribe. 1-866-635-2349**

CHAN 171 UNAVAIL

The requested channel is not valid.

➔ **Visitwww.siriusxm.comtoseethelistof channels available.**

Notes on MP3/WMA

MP3 (MPEG Audio Layer-3) is a format for compressed audio file. These formats allow users to save all the files contained in approximately 10 pieces of existing .

Note: Each of encoding software is not included with this unit.

*MPEG Layer-3 audio coding technology licensed from Fraunhofer IIS and Thomson.

Cautions as to compressed audio files

- High bit rate and high sampling frequency are recommended for high quality sounds.
- Selecting VBR (Variable Bit Rate) is not recommended because playing time is not displayed properly and sound may be skipped.
- The playback sound quality differs depending on the encoding circumstances. For details, refer to the user manual of your own encoding software and writing software.
- Be sure to put an extension compatible with the format.
- It is recommended to set the bit rate to “128 kbps or more” and “fixed”.

Compression formats

Compression method	Bit rate	VBR	Sampling frequency
MPEG 1 audio layer 3 (MP3)	32 k – 320 kbps	Yes	32, 44.1, 48 kHz
MPEG 2 audio layer 3 (MP3)	8 k – 160 kbps	Yes	16, 22.05, 24 kHz
MPEG 2.5 audio layer 3 (MP3)	8 k – 160 kbps	Yes	8, 11.025, 12 kHz
Windows Media Audio Ver. 2, 7, 8, 9*	64 k – 160 kbps	Yes	32, 44.1, 48 kHz

* WMA 9 Professional/LossLess/Voice are not supported.



Caution

Never put an extension indicating compressed audio (such as “.mp3”) to files other than compressed audio files. This may not only produce noise from the speaker damage, but also damage your hearing.

Cautions as to the display of this unit

Display Information

- **MP3**
Folder name,
File name
- **WMA (WMA tag)**
Album name,
Title name/artist
name
- **MP3 (ID3 tag)**
Album name,
Title name/artist

Displayable characters

- Displayable length of file name/folder name: within 30 characters. (Unicode file and folder names are reduced by half in the number of displayable characters.)
- Name files and folders in accordance with the standard of each file system. Refer to the instructions of writing software for details.
- ASCII character set and special characters in each language can be displayed.

ASCII character set

A to Z, a to z, digits 0 to 9, and the following symbols:

(space) ! " # \$ % & ' () * + , - . / : ; < = > ? @ [\]
^ _ ` { | } ~

Notes:

- Characters may be garbled depending on encoding software to be used
- Undisplayable characters and symbols will be converted into an asterisk (*).

Recording MP3/WMA Files on a USB-Device

Compressed audio file writing

- Do not save an audio file and a compressed audio file on the same disc. Failure to observe this may result in difficulty in playing.
- If compressed audio files formatted with two or more types are saved on the same disc, each format shall have a different folder.
- Do not write files other than compressed audio files.
- Playability may depend on the combination of writing software and disc writer to be used.
- This unit does not support the play list function.
- Write files in a disc-at-once manner unless otherwise needed.
- You can shorten the duration between data read and playback by decreasing the quantity of files or folders, or the depth of the hierarchy.

Supported file systems

■ USB-device

File system is FAT12/16/32.

Maximum number of files/folders

- Maximum depth of trees: 8
- Maximum number of files
USB device: 65 535
- Maximum number of files in one folder
USB device: 512
- Maximum number of folders:
128 (Root folder is included.)

Notes:

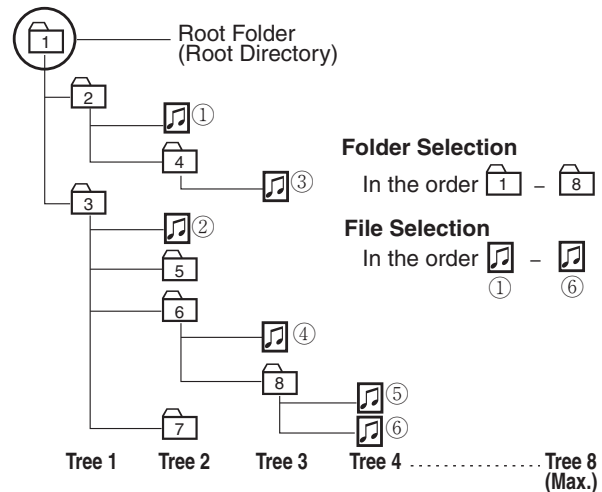
- You can shorten the duration between data read and playback by decreasing the quantity of files or folders, or the depth of the hierarchy.
- This unit counts the number of folders irrespective of the presence or absence of an MP3/WMA file.
- If the selected folder does not contain any MP3/WMA files, the nearest MP3/WMA files in the order of playback will be played.
- Playback order may be different from other MP3/WMA players even if the same disc is used.
- "ROOT" appears when displaying the root folder name.
- Empty folders stored on the USB memory are not

included in the folder count.

- Depending on the connected USB memory, the order in which the files are played back may differ to the order in which the files were stored.

Folder selection order/file playback order

■ USB-device



Copyright

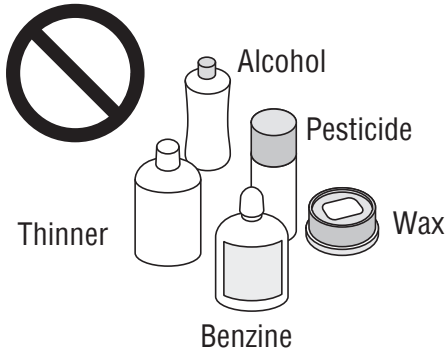
It is prohibited by copyright laws to copy, distribute and deliver copyrighted materials such as music without the approval of copyright holder except enjoying yourself personally.

No warranty

Above description complies with our investigations as of January 2013. It has no warranty for reproducibility and displayability of MP3/WMA.

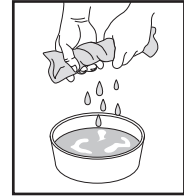
Cleaning this unit

Your product is designed and manufactured to ensure a minimum of maintenance. Use a dry soft cloth for routine exterior cleaning. Never use benzine, thinner or other solvents.



To remove stubborn stains

- ① Moisten the soft cloth in dish-washing soap diluted with water and wring well.
- ② Wipe lightly. Go over the same surface with a dry cloth.



Notes:

- Since there is the possibility of water drops getting inside of the unit, do not directly apply cleanser to the surface.
- Do not scratch the screen with your nails or other hard objects. The resulting scratches or marks will obscure the images.



Caution

If water drops or similar wet substances get inside the unit, it may cause a malfunction.



WARNING

■ This installation information is designed for professional installers with knowledge of automobile electrical safety systems and is not intended for non-technical, do-it-yourself individuals. It does not contain instructions on the electrical installation and avoidance of potential harm to air bag, anti-theft and ABS braking or other systems necessary to install this product.

Any attempt to install this product in a motor vehicle by anyone other than a professional installer could cause damage to the electrical safety system and could result in serious personal injury or death.

■ If your car is equipped with air bag and/or anti-theft systems, specific procedures may be required for connection and disconnection of the battery to install this product.

Before attempting installation of this electronic component against the manufacturer's recommendation, you must contact your car dealer or manufacturer to determine the required procedure and strictly follow their instructions.

FAILURE TO FOLLOW THE PROCEDURE MAY RESULT IN THE UNINTENDED DEPLOYMENT OF AIR BAGS OR ACTIVATION OF THE ANTI-THEFT SYSTEM RESULTING IN DAMAGE TO THE VEHICLE AND PERSONAL INJURY OR DEATH.

Overview

This product should be installed by a professional. However, should you decide to install the product against the manufacturer's recommendation, these operating Instructions do not contain electrical installation instructions. You must contact your car dealer or manufacturer for electrical connection instructions to avoid possible damage to your electrical safety systems and resulting injury or death. **(Please refer to the "WARNING" statement above).**

Your next step is to decide where to install the unit. The instructions in these pages will guide you through the remaining steps:

- Identify and label the car wires.
- Connect the vehicle wires to the wires of the power connector.
- Install the unit in the dashboard.
- Check the operation of the unit.

If you encounter problems, please consult your nearest professional installer.



Warning

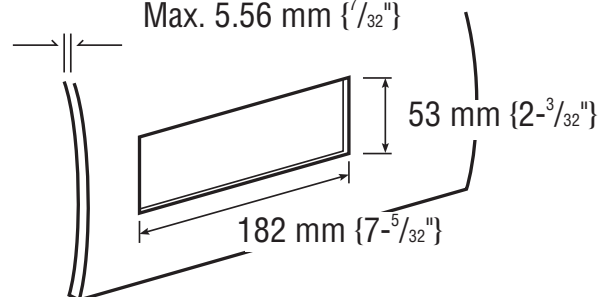
This unit operates with a 12 V DC negative \ominus ground auto battery system only. Do not attempt to use it with any other system. Doing so could cause serious damage.

Before you begin installation, look for the following items which are packed with your unit.

- **Operating Instructions**
- **Installation hardware**Needed for Installation.

Dashboard specifications

Thickness Min. 4.75 mm $\{\frac{3}{16}\}$
Max. 5.56 mm $\{\frac{7}{32}\}$



Installation Guide (continued)

Preparation



Warning

If your vehicle is equipped with air bag and/or anti-theft systems, specific procedures may be required for connection and disconnection of the battery to install this product.

Before attempting installation of this electronic component, contact your vehicle dealer or manufacturer to determine the required procedure and strictly follow their instructions.

FAILURE TO FOLLOW THE PROCEDURE MAY RESULT IN THE UNINTENDED DEPLOYMENT OF AIR BAGS OR ACTIVATION OF THE ANTI-THEFT SYSTEM RESULTING IN DAMAGE TO THE VEHICLE AND PERSONAL INJURY OR DEATH.

- Disconnect the cable from the negative \ominus battery terminal (see caution below).
- Remove Mounting Collar ① from the main unit temporarily, which are already mounted at shipment.*



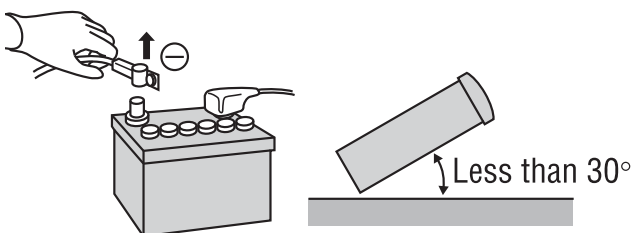
Caution

Various settings that have been stored in the memory in other on-board equipment (vehicle navigation etc.) may be lost if the battery terminals are disconnected.

Therefore, we recommend to make a record of or to back up the settings before disconnecting the terminals.

After completing installation of the main unit, set the equipment again according to the record.

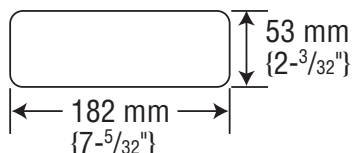
- Unit should be installed in a horizontal position with the front end up at a convenient angle, but not more than 30° .



Dashboard installation

Installation Opening

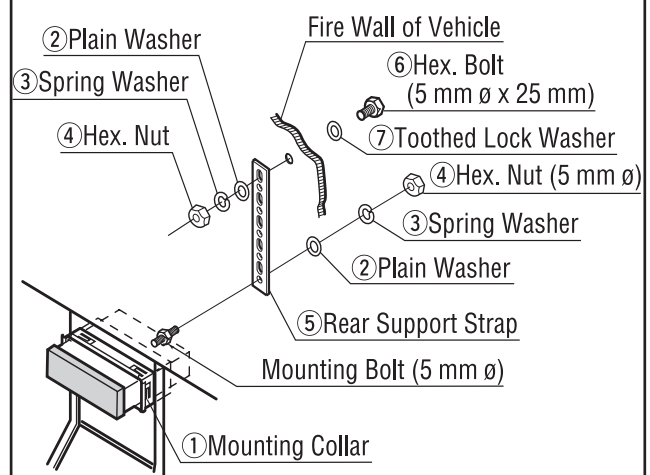
This unit can be installed in any dashboard having an opening as shown below. The dashboard should be 4.75 mm {3/16"} – 5.56 mm {7/32"} thick in order to be able to support the unit.



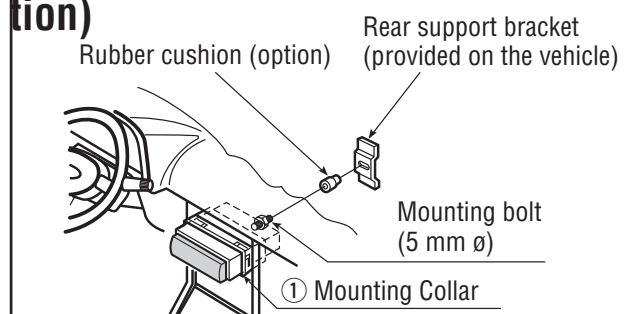
Installation hardware

No.	Item	Diagram	Q'ty
①	Mounting Collar*		1
②	Plain Washer (5 mm \varnothing)		2
③	Spring Washer (5 mm \varnothing)		2
④	Hex. Nut (5 mm \varnothing)		2
⑤	Rear Support Strap		1
⑥	Hex. Bolt (5 mm \varnothing x 25 mm)		1
⑦	Toothed Lock Washer (5 mm \varnothing)		1
⑧	Removal Tool (U-shaped)		2

(a) Using the rear support strap ⑤



(b) Using the rubber cushion (option)



Securing of the main unit

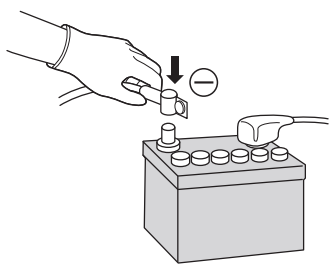
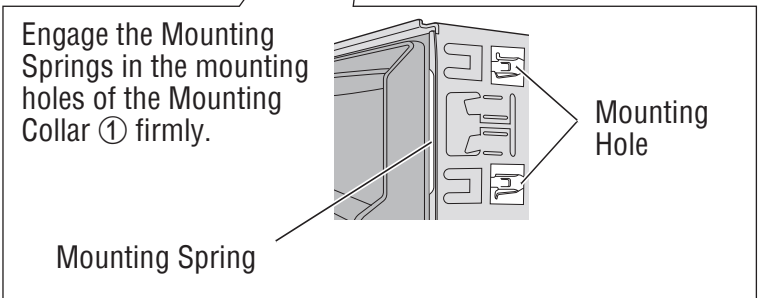
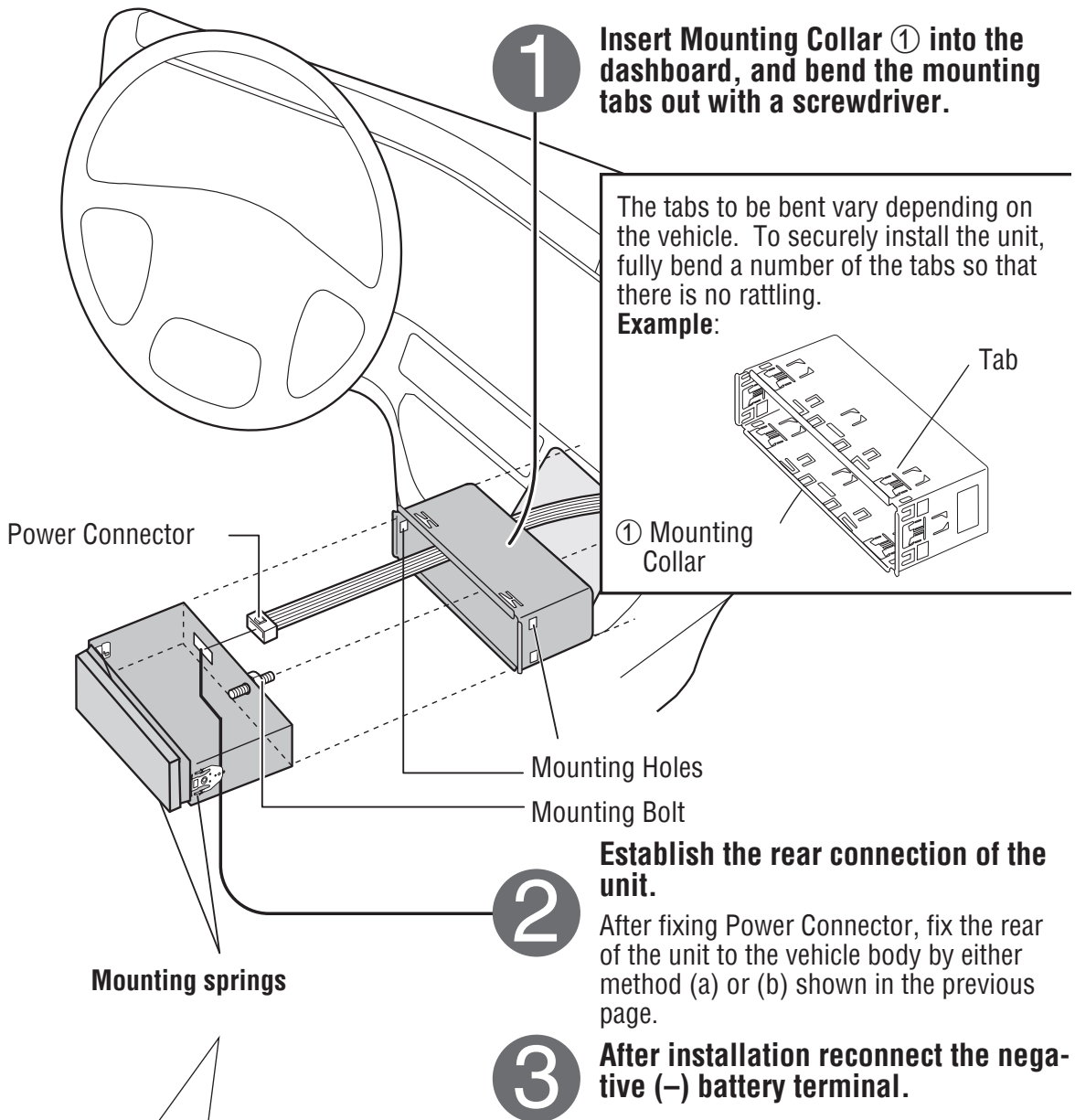


Caution

- We strongly recommend that you wear gloves for installation work to protect yourself from injuries.
- When bending the mounting tab of the mounting collar with a screwdriver, be careful not to injure your hands and fingers.

First complete the electrical connections, and then check them for correctness. (→ page 44)

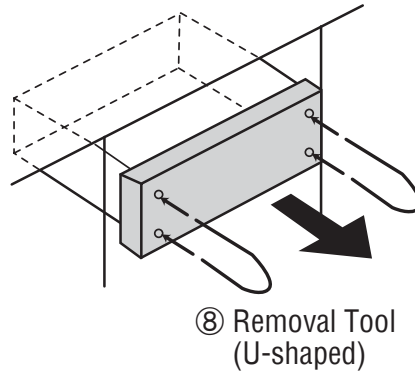
The included Mounting Collar ① is designed specially for this unit. Do not use it to attach any other model.



Installation Guide (continued)

Removing the unit from the vehicle's dashboard

Insert each Removal Tool ⑧ and pull.



Note: Do not lose Removal Tools. They will be needed to remove the unit from the vehicle's dashboard.

Specifications

General

Power Supply:	12 V DC (11 V – 16 V), test Voltage 14.4 V, Negative @ ground
Current consumption:	Less than 2.5 A (USB mode, 0.5 W x 4 channels)
Maximum Power Output:	45 W x 4 channels at 400 Hz, Volume Control maximum
Tone adjustment range:	
Bass:	± 12 dB at 100 Hz
Treble:	± 12 dB at 10 kHz
Power Output:	18 W per channel into 4 Ω, 40 Hz to 30 000 Hz at 3 % THD
Suitable Speaker Impedance:	4 Ω
Pre-amp output voltage:	2.0 V
Pre-amp output impedance:	200 Ω
Dimensions (W x H x D):	178(W) x 50(H) x 155(D) mm {7" x 1-15/16" x 6-1/8"}
Weight:	820 g {2 lbs. 10 oz.}
USB connector	
USB standard compatibility:	1.1/2.0 full speed
File system:	FAT12/16/32
Maximum supply current:	1 A
Playable audio format:	MP3/WMA
Recommended capacity/partition:	Less than 32 GB/Only supported for 1 partition.
Front AUX input	
Input impedance:	10 kΩ
Maximum input level:	2.0 V
Connector:	3.5 mm ø Stereo mini pin
Input sensitivity:	200 mVrms
Rear AUX input	
Input impedance:	10 kΩ
Maximum input level:	2.0 V
Input sensitivity:	200 mVrms

FM Stereo Radio

Frequency Range:	87.9 MHz – 107.9 MHz
Usable Sensitivity:	12 dBf (1.1 μV/ 75 Ω, S/N 30 dB)
50 dB Quieting Sensitivity:	17 dBf (1.8 μV/ 75 Ω)
Frequency Response:	30 Hz – 15 000 Hz ± 3 dB
Alternate Channel Selectivity:	75 dB

Stereo Separation:	35 dB at 1 kHz
Signal/Noise Ratio:	70 dB (Mono)

AM Radio

Frequency range:	530 kHz – 1 710 kHz
Usable sensitivity:	28 dB/μV (25 μV, S/N 20 dB)

Weather Band Radio

Frequency range:	162.400 MHz – 162.550 MHz
Usable sensitivity:	3 dB/μV (S/N 20 dB)
Signal/Noise Ratio (40 dB/μV):	50 dB

Bluetooth®

Communication	
Frequency:	2 402 MHz – 2 480 MHz
Number of Channels:	79 Channels
Communication Mode:	Frequency Hopped Spread Spectrum Communication
RF Output:	0 dBm (0.8 mW)
Service Area:	Within 10 m
Applicable Bluetooth®	
Version:	Version 3.0

Bluetooth QD ID D023911.

Notes:

- Specifications and design are subject to modification without notice due to improvements.
- Some figures and illustrations in this manual may be different from your product.

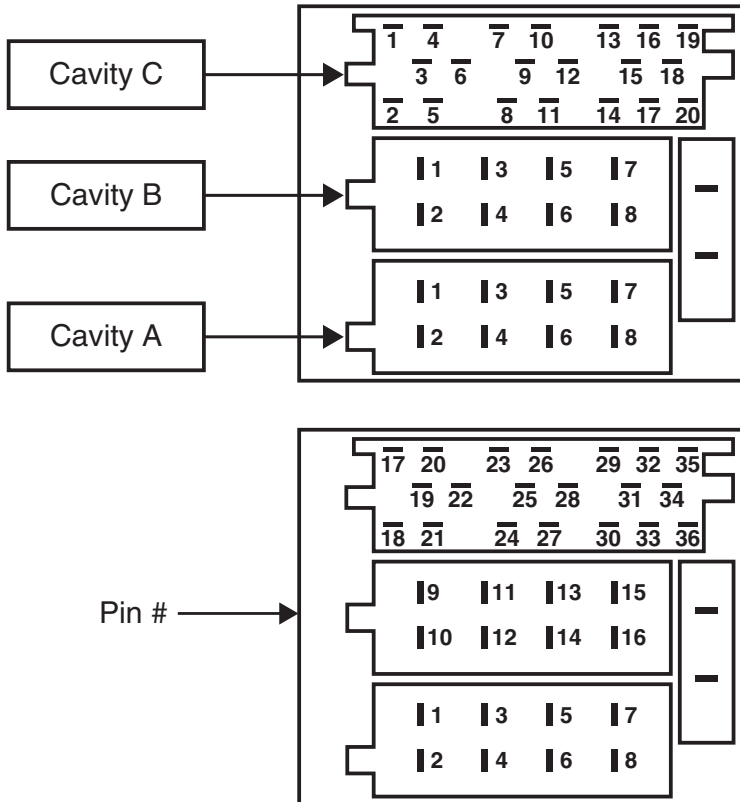
Above specifications comply with EIA standards.

Power Output:
16 W RMS x 4 Channels at 4 Ω
and ≤ 1% THD+N
Signal to Noise Ratio:
85 dBA (reference: 1 W into 4 Ω)



Specification from the Terminal End (Rear Connector of This Unit)

Specification from the terminal end (Rear connector of this unit)



Cavity	Pin #	Function	I/O
A1	1	J1939 CAN-H*	I/O
A2	2	J1939 CAN-L*	I/O
A3	3	Park Lights	I
A4	4	ACC (Ignition)	I
A5	5	Amp Control	O
A6	6	Dimmer PWM	I
A7	7	Battery	I
A8	8	Power Ground	I
B1	9	RR+ (Speaker)	O
B2	10	RR- (Speaker)	O
B3	11	RF+ (Speaker)	O
B4	12	RF- (Speaker)	O
B5	13	LF+ (Speaker)	O
B6	14	LF- (Speaker)	O
B7	15	LR+ (Speaker)	O
B8	16	LR- (Speaker)	O
C1	17	Power Ground	I
C2	18	Amp Sense	I
C3	19	N/C	NA
C4	20	Ext. Mute IN	I
C5	21	N/C	NA
C6	22	N/C	NA
C7	23	L_AUX_IN	I
C8	24	AUX_SHIELD_GND	I
C9	25	AUX_COM	I
C10	26	R_AUX_IN	I
C11	27	AUX_ON_OFF	I
C12	28	Power Ground	I
C13	29	N/C	NA
C14	30	Power Ground	I
C15	31	MIC +	I
C16	32	MIC -	I
C17	33	Pre-out GND_RR	O
C18	34	Pre-out GND_RL	O
C19	35	Pre-out RL	O
C20	36	Pre-out RR	O



Caution

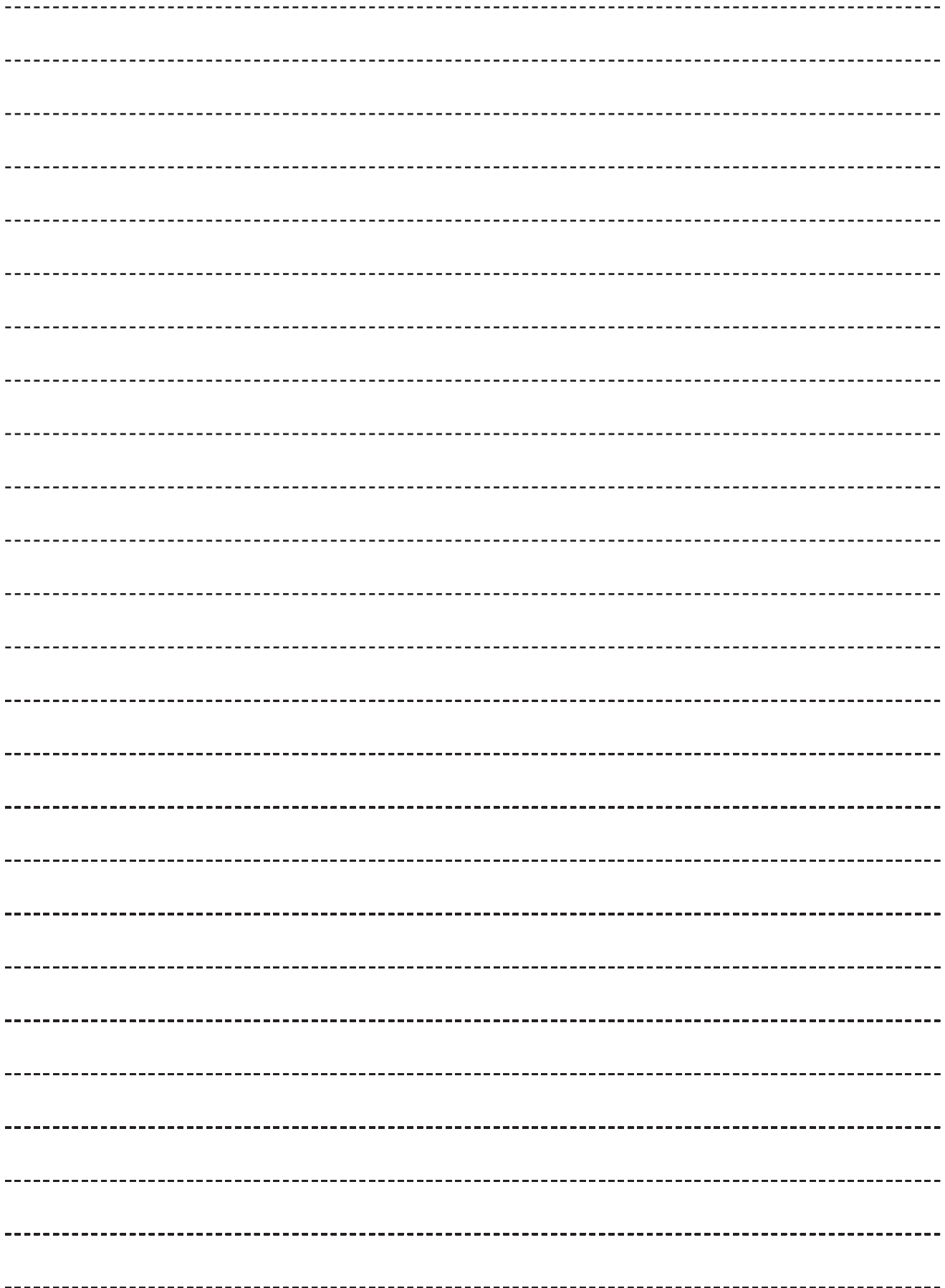
This product is designed without a fuse inside due to fuses already exist in your vehicle. If your vehicle is without the fuse or a circuit breaker to protect this unit, please consult your dealership add the specified fuse* or a circuit breaker at the BATTERY lead of your vehicle's harness.

*We would recommend to use fuses of the specified rating not exceed (15 A). Using fuses that exceed the prescribed capacity could cause this product to start smoking, ignite or other malfunction.

Note: * This pin (J1939 CAN-H/J1939 CAN-L) is not available because it is for future use. Please do not connect to this pin.

Memorandum

A series of horizontal dashed lines for writing.



© Panasonic Corporation 2017

**Panasonic Automotive
Systems Company of America,
Division of Panasonic
Corporation of North America**
776 Highway 74 South, Peachtree
City, GA 30269
Telephone: 310-783-4124

YFM264C357ZA PTW0117-0 Printed in Taiwan