

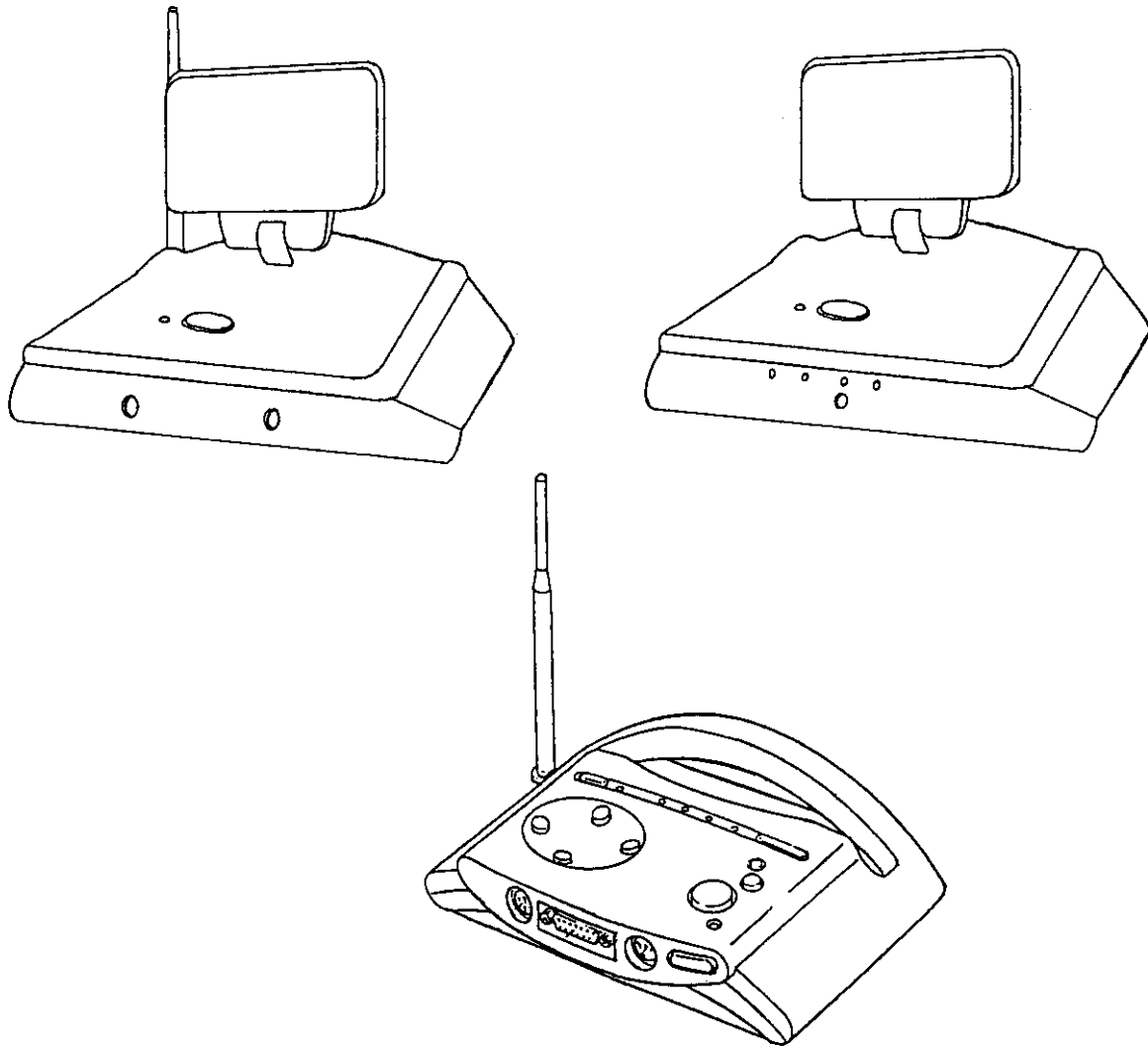
# Panasonic

## Microcast

# Operating Instructions

---

Model No. **KX-MC1**



Please read these Operating Instructions before using the unit and save for future reference.

This unit is designed for use in the United States of America, and may not operate in other countries.

Thank you for purchasing a Panasonic "Microcast".

## Things you should keep record of

Attach your sales receipt here

For your future reference

Date of purchase \_\_\_\_\_

Serial number \_\_\_\_\_

(found on the bottom of the unit)

Dealer's name and address \_\_\_\_\_

Dealer's telephone number \_\_\_\_\_

### WARNING:

TO PREVENT FIRE OR SHOCK HAZARD, DO NOT EXPOSE THIS PRODUCT TO RAIN OR ANY TYPE OF MOISTURE.

### Copyright:

This manual is copyrighted by Kyushu Matsushita Electric Co., Ltd. (KME) and its licensee. Under the copyright laws, this manual may not be reproduced in any form, in whole or part, without the prior written consent of KME and its licensee.

© Kyushu Matsushita electric Co., Ltd. 1999

# Introducing Microcast

## Welcome to the world of Panasonic Microcast.

Using Microcast, you can remotely operate a personal computer located in one room, while watching a television in another room.

For example:

You can play a game on a personal computer (PC) in the study, controlling it remotely from the living room. In this way, you can enjoy the computer game on the larger television (TV) screen.

### PC transceiver

The PC transceiver receives data (ex. mouse coordinates) transmitted from the Control console and sends it to the main PC unit.

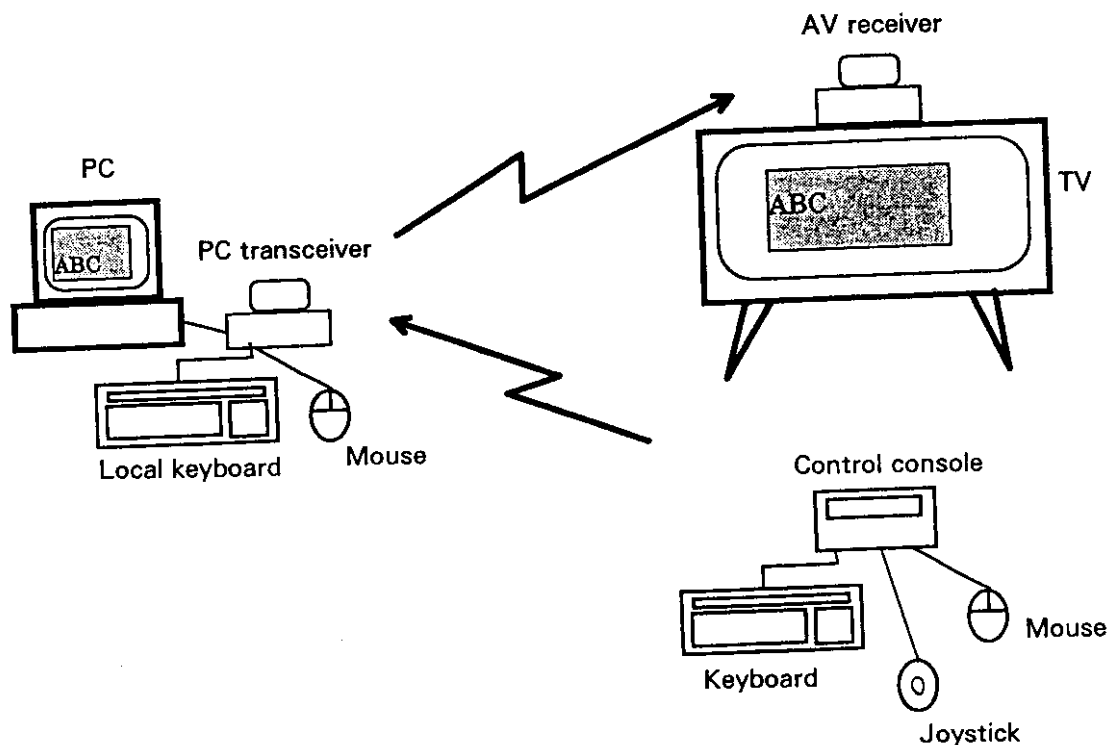
The PC transceiver also transmits audio and video signals to the AV receiver connected to the TV display.

### AV Receiver

The AV receiver is the unit that receives audio and video signals transmitted from the PC transceiver, and displays them on a TV.

### Control Console

The Control console is the unit which remotely operates the main PC unit, and adjusts the TV display.



# Introducing Microcast

## Requirements

To install and operate your Microcast correctly, the following system specifications are required.

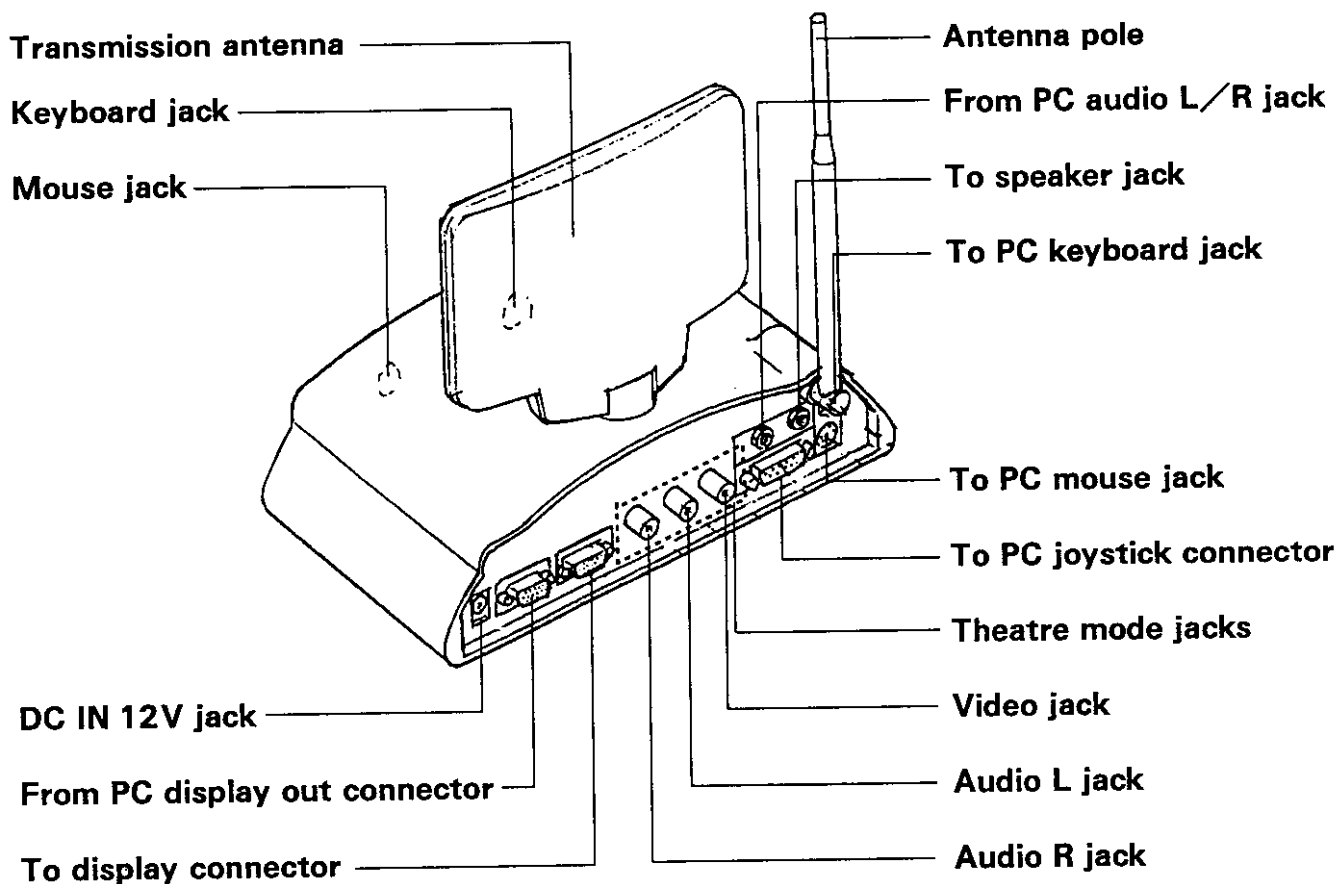
- Keyboard (101 or 106)
- Mouse (PS2)
- Joystick (analog)
- TV
- Following PC

Production	PC	CPU	BIOS	OS
HP	Vectra XM5/90	P-80	HP530-0045\$5 JD	Win3.1
	Vectra VL6	P2-266	HP	Win95
	Vectra VL5/100 Series4	P-100	HP	Win95
	Vectra XA5/200M2500	MMX200	HP BIOS V2.0	Win95
	Vectra XA6/200M2500DT-Pro	PP-200	HP BIOS V2.0	Win95
IBM	Aptiva E4A	K6-266MMX		Win95
	Aptiva 550	P-100		Win95
	Aptiva TAF	MMX-233		Win95
	Aptiva L87	P2-233		Win95
	Aptiva vision	P-75		Win3.1
	Aptiva B-95	MMX-200		Win95
	Aptiva J35	P-133		Win95
	PC 750	P-75		Win3.1
	PC330	P-100		Win3.1
	PC340	P-133		Win95
	PC300PL	MMX-233		Win95
	PC300GL	P2-266		Win95
Compaq	Deskpro EP 6333C	Celeron-333		Win96
	Deskpro EP 6400	P2-400		Win95
	Deskpro EP 6266C	Celeron-266		Win95
	Deskpro EN 6400	P2-		NT3.5
	Deskpro EN SF6350	P2-350	68615	Win95
	Deskpro2000,5200X	MMX-200		Win95
	Presrio 4540		Video Bios	Win95
	Presrio 2274	K6-2 300		Win98
	Presrio 5010	P2-266		Win95
	Presrio 2240			Win95
Presrio 5180	P2-400		Win98	
NEC	ValueStar NX VC33H/5	Celeron-		Win98
	ValueStar NX VM45D/5	P2-		Win98
	Mate NX MA35D	P2-		Win95
DELL	Dimension XPS R4000	P2-400	Phoenix 4.0 R6	Win95
	OptiPlex Gxa	P2-233	Phoenix PLUS 1.10 A02	Win95
		P2-	Phoenix ReversionA02	Win95

# Connections

## PC transceiver

Before connecting each unit, raise an antenna pole and transmission antenna and power off all unit.



### Keyboard Jack

Connect a local keyboard to operate a PC directly. This jack is printed "KEYBOARD".

### Mouse jack

Connect a mouse to operate a PC directly. This jack is printed "MOUSE".

### DC IN 12V jack

Connect a AC adapter (model no. SADC-1165A). This jack is printed "DC IN 12V".

### From PC display out connector

Connect the VGA output connector of the main PC unit using a VGA cable. This connector is printed "Display out".

### To display connector

Connect the VGA input connector of the PC display using a VGA cable. This connector is printed "Display".

### From PC audio L/R jack

If a sound card is installed in the main PC unit, connect audio output jack using a cable. This jack is printed "Audio L/R".

### To speaker jack

If a speaker is installed, connect a speaker using a cable. This jack is printed "Speaker".

### To PC keyboard jack

Connect the keyboard jack of the main PC unit using a PS2 cable. This jack is printed "Keyboard".

### To PC mouse jack

Connect the mouse jack of the main PC unit using a PS2 cable. This jack is printed "Mouse".

### To PC joystick connector

If a sound card is installed in the main PC unit, connect the sound card joystick port using a D-Sub15 pin cable. This connector is printed "Joystick".

# Connections

## Theatre mode jacks

### (Video jack, Audio L jack, Audio R jack)

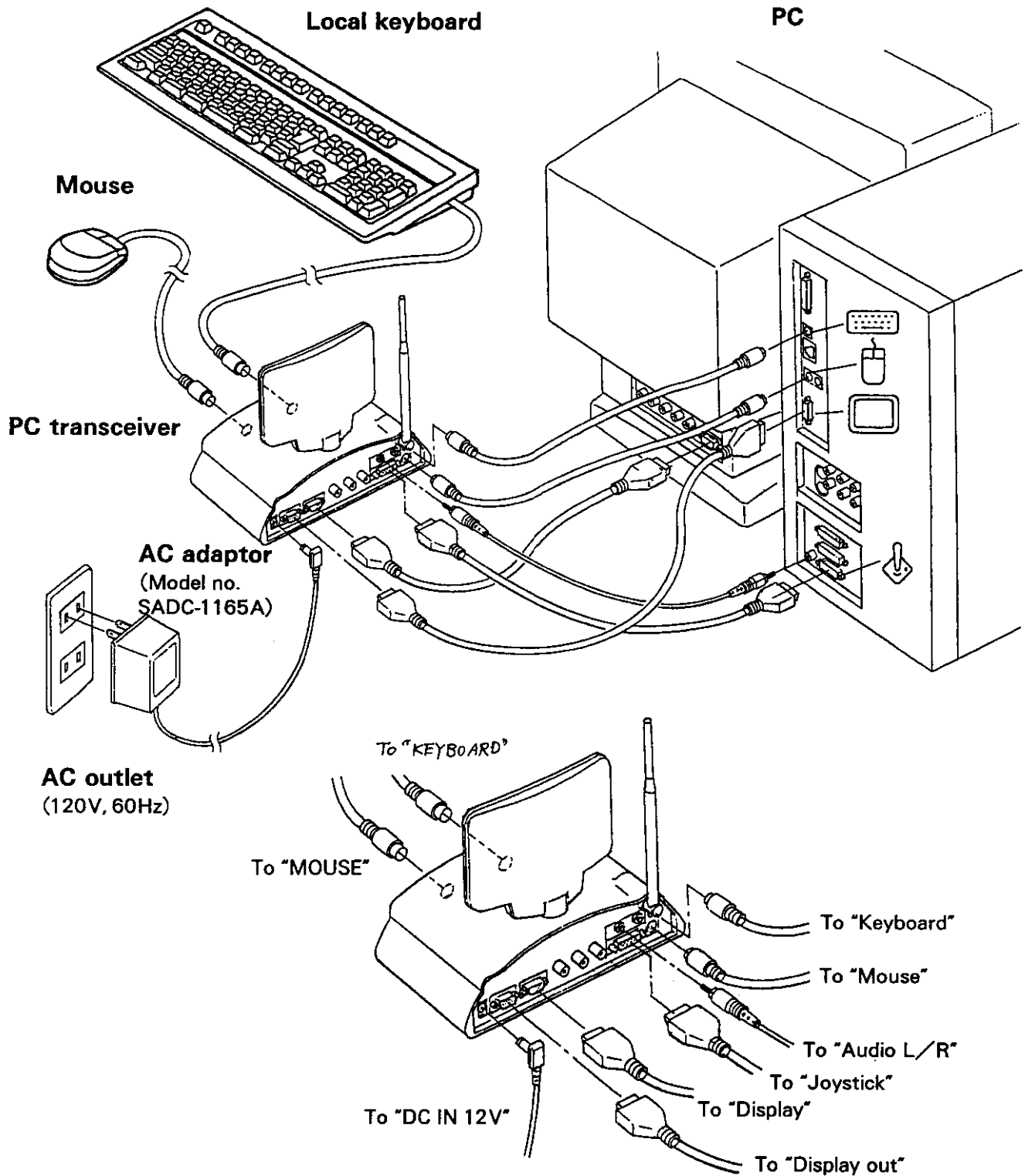
Connect video and audio output jacks of AV product using a RCA cable, if AV product (DVD, VTR etc.) is needed.

**Caution:** Video with S terminal cannot be used.

These jacks are printed "Audio R", "Audio L" and "Video".

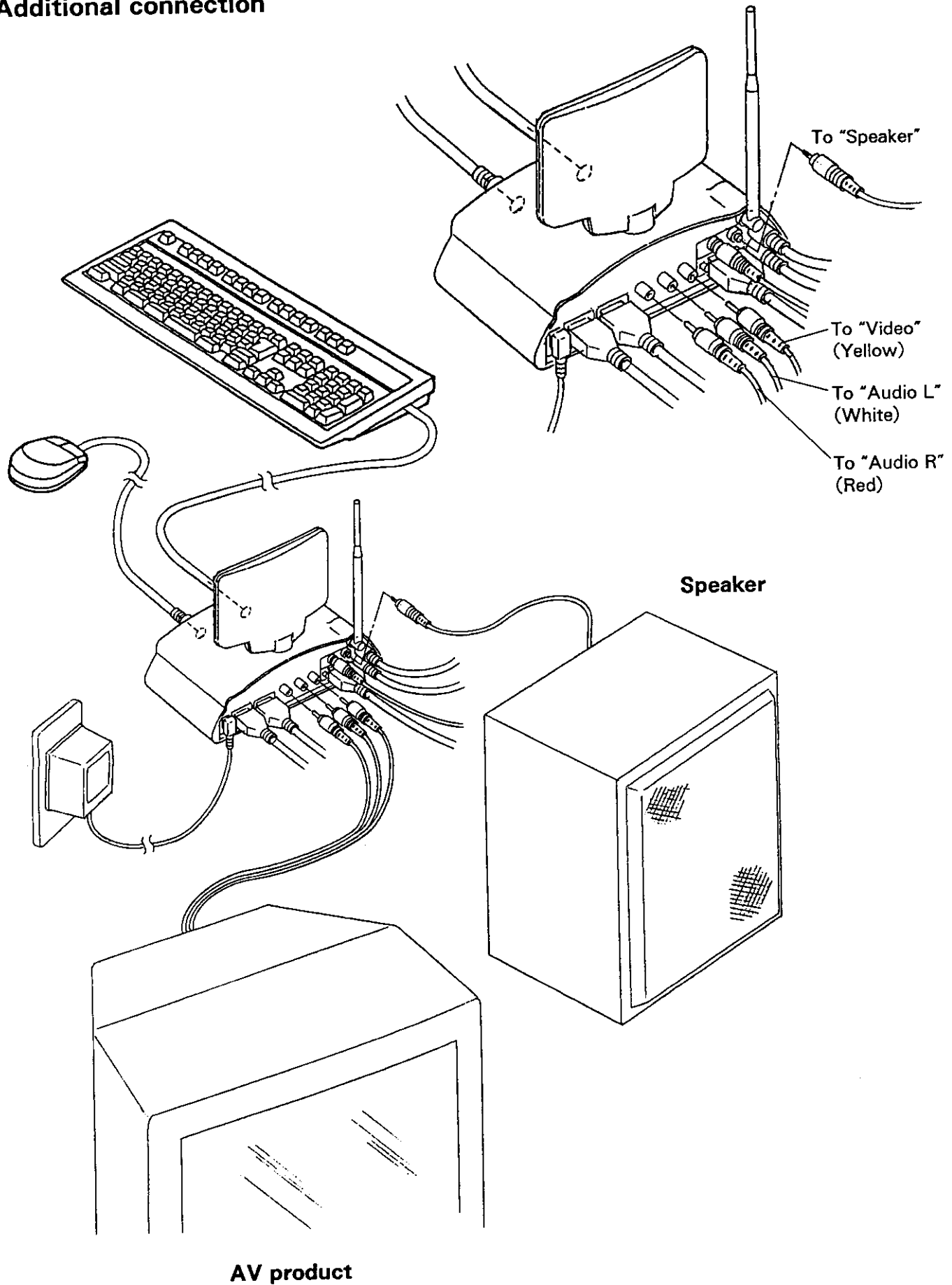
"Audio R" jack's color is red, "Audio L" jack's color is white and "Video" jack's color is Yellow.

## Original connection



# Connections

## Additional connection



# Connections

## AV receiver

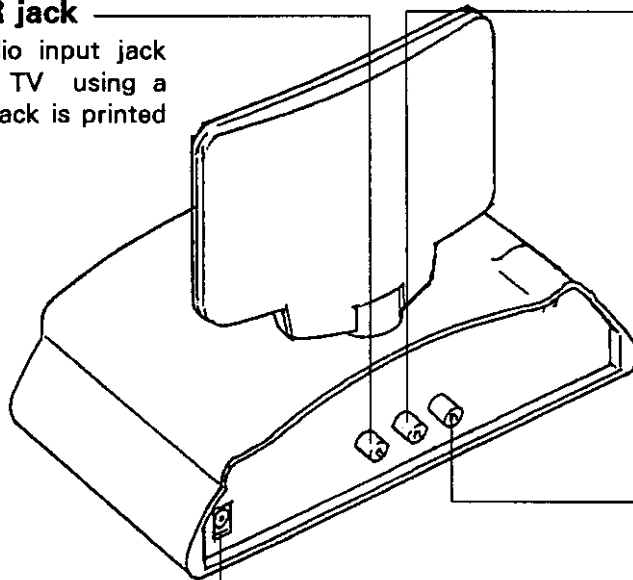
Before connecting each unit, power off all unit.

### To TV audio R jack

Connect the audio input jack (red color) of a TV using a RCA cable. This jack is printed "Audio R".

### To TV audio L jack

Connect the audio input jack (white color) of a TV using a RCA cable. This jack is printed "Audio L".

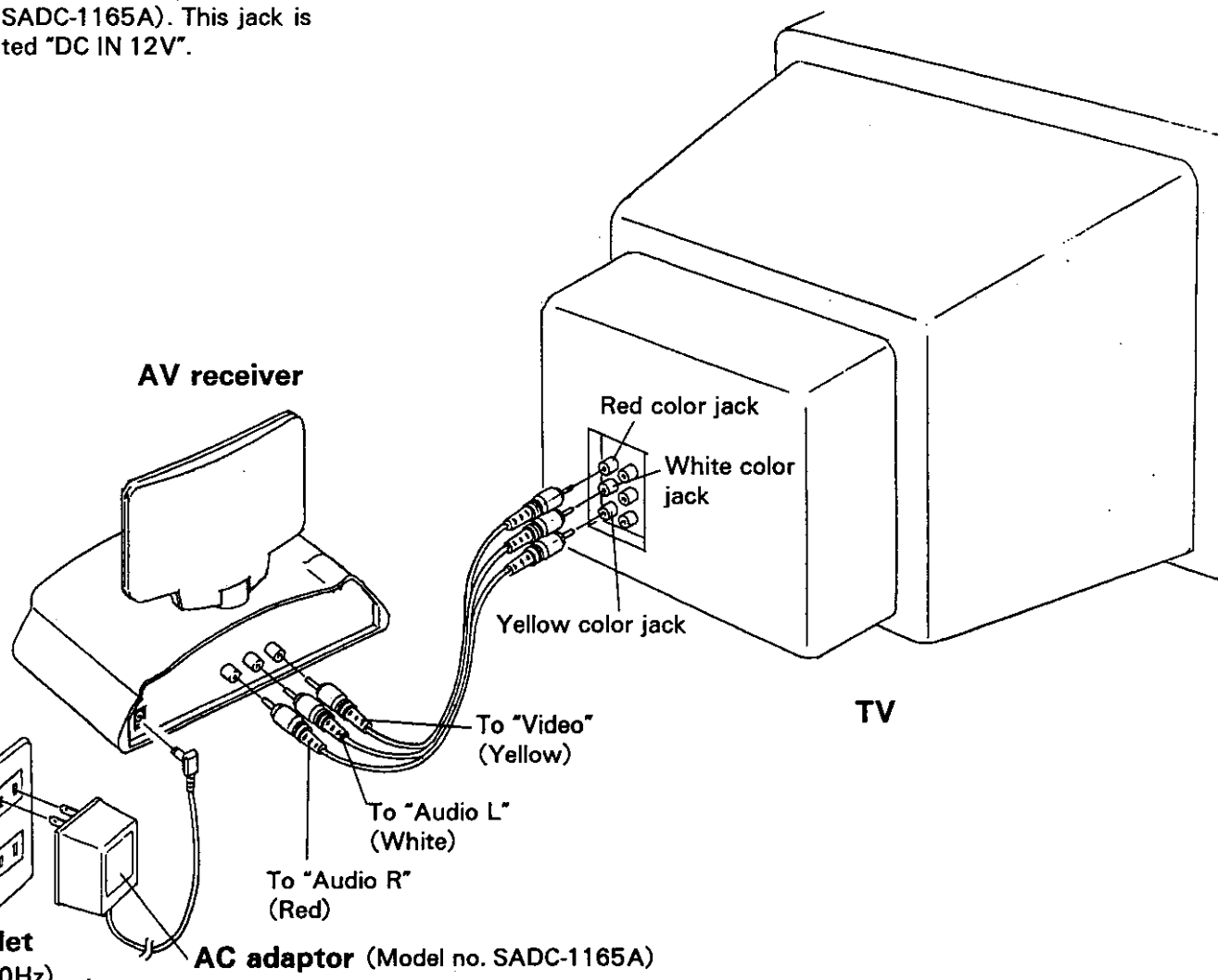


### DC IN 12V jack

Connect a AC adapter (model no. SADC-1165A). This jack is printed "DC IN 12V".

### To TV video jack

Connect the video input jack (yellow color) of a TV using a RCA cable. This jack is printed "Video".



AC outlet  
(120V, 60Hz)

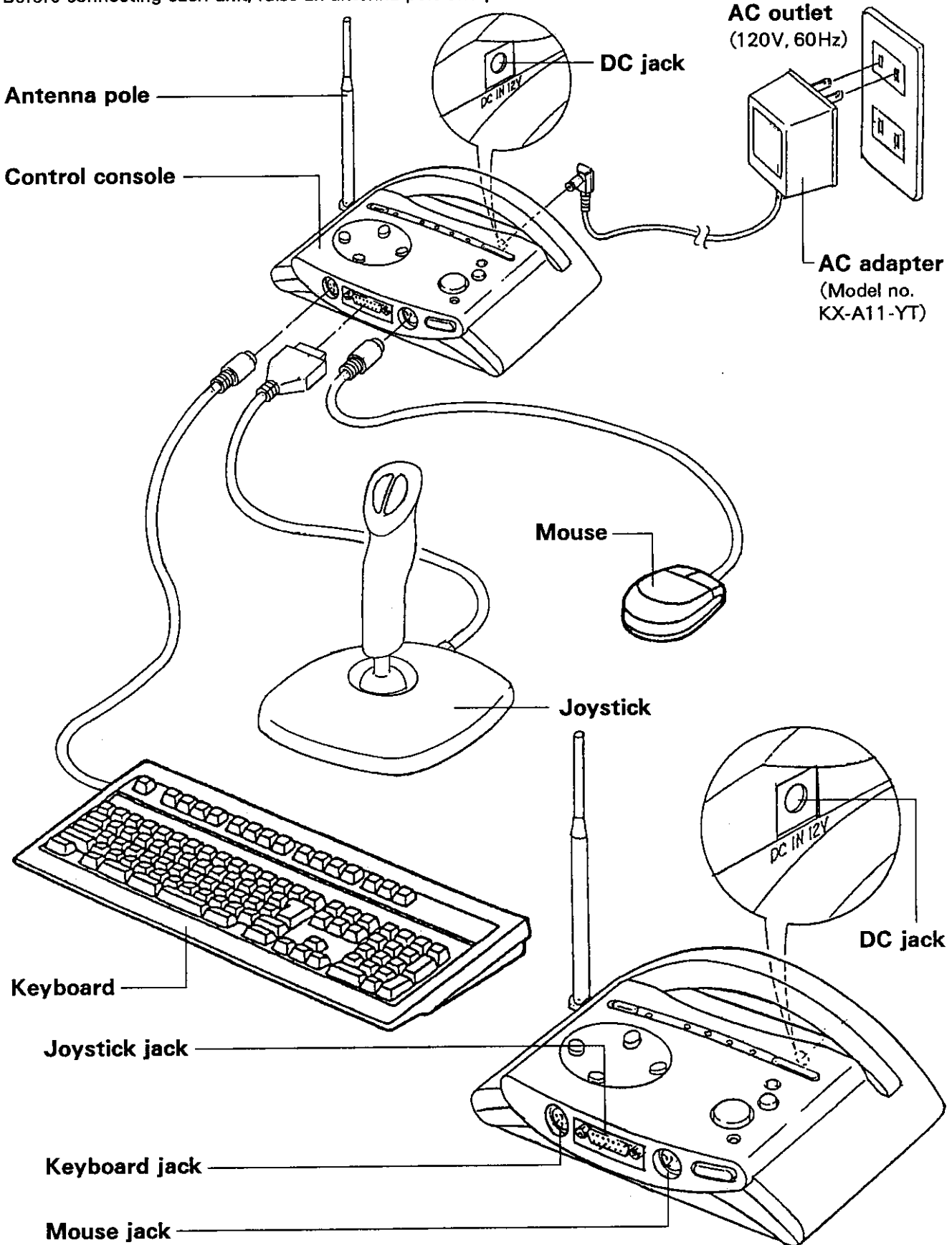
AC adaptor (Model no. SADC-1165A)



# Connections

## Control console

Before connecting each unit, raise an antenna pole and power off all unit.

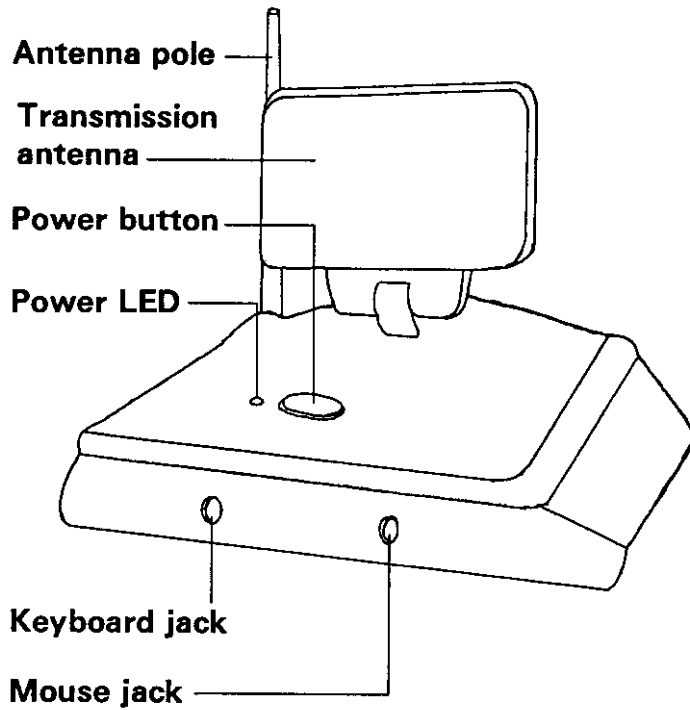


# Finding the Controls

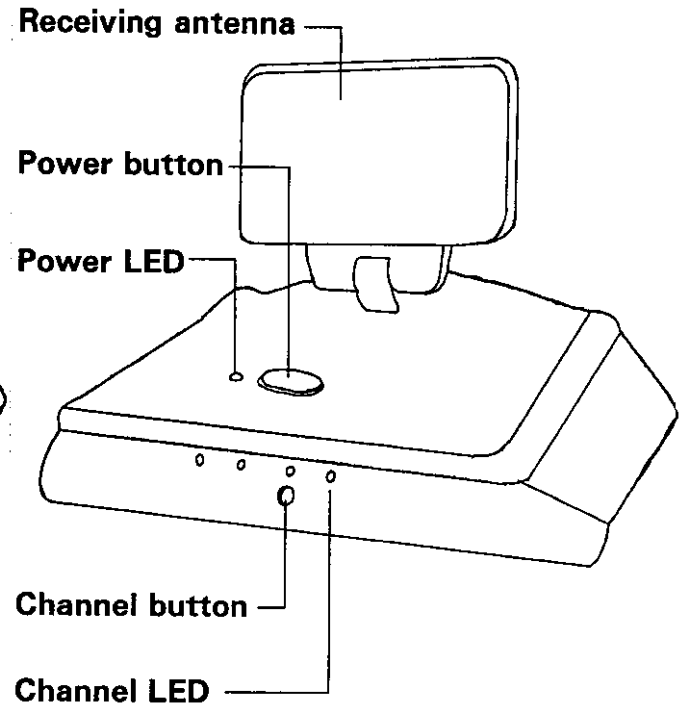
## Overview

---

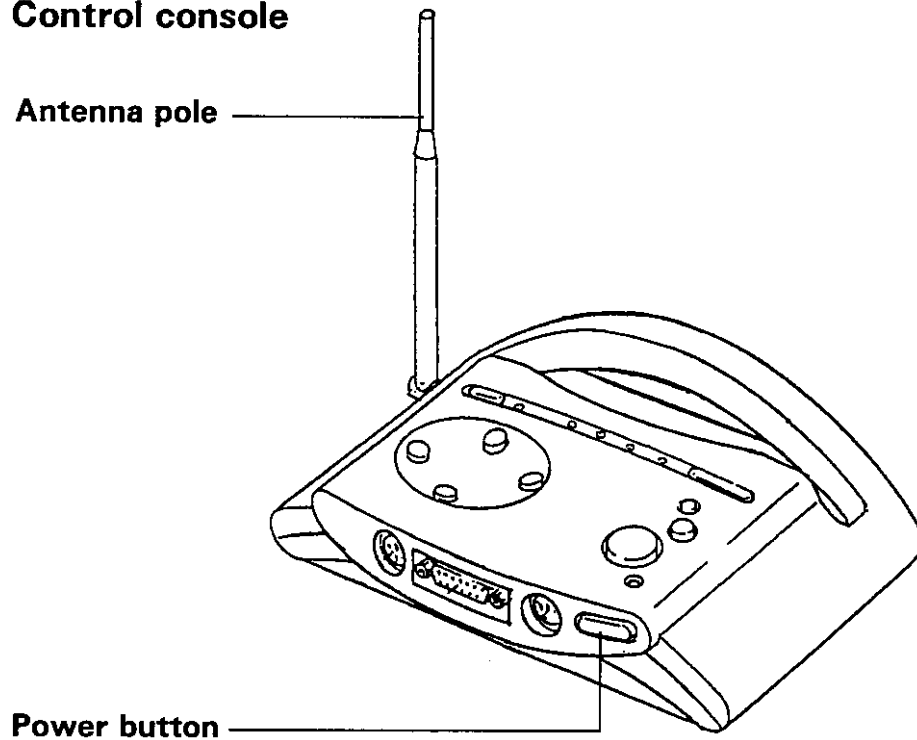
### PC transceiver



### AV receiver



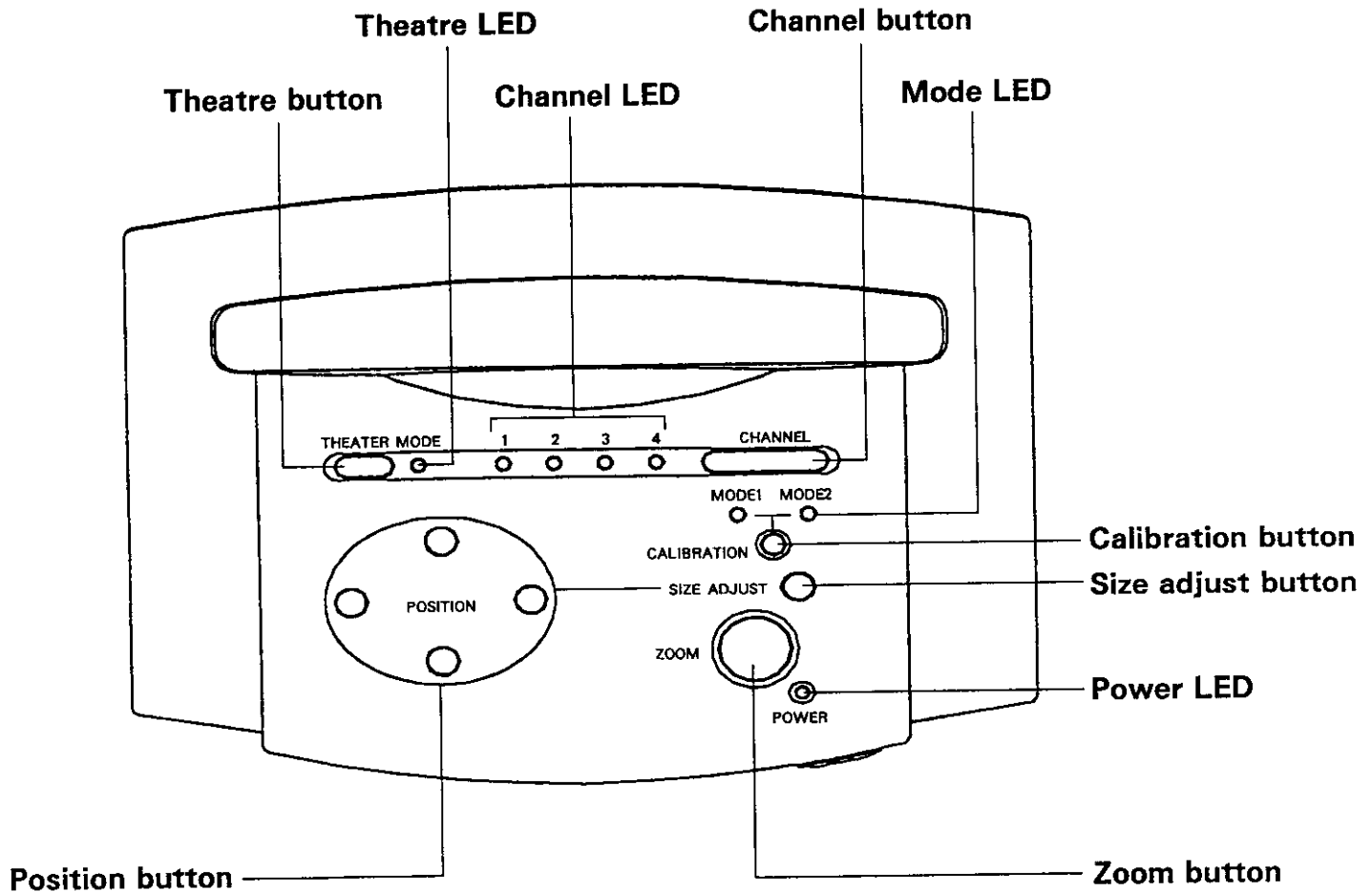
### Control console



# Finding the Controls

## Location

### Control console



### Theatre button

The Theatre mode is the mode that sends audio and video signals of an AV product connected to the PC transceiver, and you can watch and hear the voice and image using a TV connected to the AV receiver.

Push this button and turn on the Theatre LED to establish the Theater mode.

Push this button again and turn off the Theatre LED to change to the personal computer mode.

### Channel button

Push to change the wireless transmission channel to another one.

● Four channels can be used.

#### Caution:

When changing channels, the AV receiver channel should be the same as the Control console channel.

# Finding the Controls

## Calibration button

This button is useful only when a joystick is connected to the Control console.

Use to perform calibration for a joystick connected to the Control console.

Procedure for calibration is as follows:

- 1** Let go of the joystick and push the Calibration button.
  - Mode 1 LED will light up.
- 2** Push the Calibration button again a few seconds later.
  - Mode 2 LED will light up.
- 3** Grasp the joystick lever and rotate it so that a large circle is drawn.
- 4** Push the Calibration button.
  - Mode 2 LED will turn off.
  - Mode 1 LED will remain on.

Calibration for the joystick connected to the Control console is now completed.

### Caution:

- When a joystick connected to the Control console is changed to another one, perform calibration again.
- If your PC has an OS (ex. Windows 95 ) and/or application with a joystick calibration function, calibration must be performed on your PC.

## Zoom button

Push to enlarge the upper left part of the TV display connected to the AV receiver.

To return to the original size, push again.

## Position button

Push to move the displaying position of TV display connected to the AV receiver in the desired direction.

▲: moves the displaying position up.

▼: moves the displaying position down.

▶: moves the displaying position to the right.

◀: moves the displaying position to the left.

## Size adjust button

Push this button while pushing the ▲ button to enlarge the displaying size of TV display connected to the AV receiver.

Push this button while pushing the ▼ button to reduce the displaying size of TV display connected to the AV receiver.

# Installing

Microcast transmits audio and video signals using 5.8 GHz waves. The PC transceiver and the AV receiver should be pointed towards each other.

- 1 After connecting, place the PC transceiver near/on a main PC unit, and the AV receiver near/on a TV.
- 2 Point the concave side of the transmission antenna on the PC transceiver to that of the receiving antenna on the AV receiver.

# Operation

## 1 Turn on the power at each unit.

- The PC transceiver should only be switched on after the main PC unit is completely up and running.  
There is no special order for turning on the power of each unit, including TV, except for the above.
- The PC display will appear on the TV.

## 2 Play games using the keyboard, mouse or joystick connected to the Control console, while watching TV.

- If the image on the TV screen is not clear, adjust the direction of the receiving antenna on the AV receiver.
- Be careful not to bend the antenna too far back, or unit may be damaged.

### **Note:**

If you want to operate the main PC unit independently, switch off the PC transceiver. You can operate the main PC unit using a local keyboard and mouse connected to the PC transceiver.

# FCC Information

This device complies with Part 15 of the FCC Rules. Operation is subject to the following two conditions: (1) This device may not cause harmful interference, and (2) this device must accept any interference received, including interference that may cause undesired operation.

## CAUTION:

Any changes or modifications not expressly approved by the party responsible for compliance could void the user's authority to operate this device.

## Note:

This equipment has been tested and found to comply with the limits for a Class B digital device, pursuant to Part 15 of the FCC Rules. These limits are designed to provide reasonable protection against harmful interference in a residential installation. This equipment generates, uses, and can radiate radio frequency energy and, if not installed and used in accordance with the instructions, may cause harmful interference to radio communications. However, there is no guarantee that interference will not occur in a particular installation. If this equipment does cause harmful interference to radio or television reception, which can be determined by turning the equipment off and on, the user is encouraged to try to correct the interference by one or more of the following measures:

- Reorient or relocate the receiving antenna.
- Increase the separation between the equipment and receiver.
- Connect the equipment into an outlet on a circuit different from that to which the receiver is connected.
- Consult the dealer or an experienced radio/TV technician for help.

- **Environment** — do not place the unit in a room where the temperature is less than 5°C (41°F) or greater than 40°C (104°F). Allow 10 cm (4") clearance around the unit for proper ventilation. Avoid excessive smoke, dust, mechanical vibration, shock, or direct sunlight.
- **Routine care** — wipe the unit with a soft cloth. Do not use benzine, thinner, or any abrasive powder. When you leave the unit unused for a long period of time, unplug the AC adaptor from the outlet.
- **If there is any trouble** — disconnect the unit from the telephone line and connect a known working phone. If the known working phone operates properly, have your unit repaired by one of the authorized Panasonic Factory Service Centers. If the known working phone does not operate properly, consult with your telephone company.

