

FEDERAL COMMUNICATIONS COMMISSION INTERFERENCE STATEMENT

This equipment has been tested and found to comply with the limits for a Class A digital device, pursuant to part 15 of the FCC Rules. These limits are designed to provide reasonable protection against harmful interference when the equipment is operated in a commercial environment. This equipment generates, uses, and can radiate radio frequency energy and, if not installed and used in accordance with the instruction manual, may cause harmful interference to radio communications. Operation of this equipment in a residential area is likely to cause harmful interference in which case the user will be required to correct the interference at his own expense.

FCC Warning: This transmitter must not be co-located or operated in conjunction with any other antenna or transmitter.

FCC Warning: This equipment complies with FCC radiation exposure limits set forth for uncontrolled equipment and meets the FCC radio frequency (RF) Exposure Guidelines in Supplement C to OET65. This equipment should be installed and operated with at least 20 cm and more between the radiator and person's body (excluding extremities: hands, wrists, feet and legs).

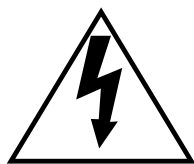
FCC Warning: To assure continued FCC emission limit compliance, use only the provided power supply cord and shielded interface cable when connecting this device to the computer. Also, any unauthorized changes or modifications to this equipment would void the user's authority to operate this device.

This device complies with Part 15 of the FCC Rules. Operation is subject to the following two conditions: (1) This device may not cause harmful interference, and (2) this device must accept any interference received, including interference that may cause undesired operation.

Responsible Party: Panasonic Corporation of North America
 One Panasonic Way, Secaucus, NJ 07094

Technical Support Party: Panasonic Consumer Electronics Company
 1707 N. Randall Rd., Elgin IL. 60123

Technical Support Tel No.: 886-472-6767



The lightning flash with arrowhead symbol, within an equilateral triangle, is intended to alert the user to the presence of uninsulated "dangerous voltage" within the product's enclosure that may be of sufficient magnitude to constitute a risk of electric shock to persons.



The exclamation point within an equilateral triangle is intended to alert the user to the presence of important operating and maintenance (servicing) instructions in the literature accompanying the appliance.

The model number and serial number of this product may be found on the surface of the unit. You should note the model number and serial number of this unit in the space provided and retain this book as a permanent record of your purchase to aid identification in the event of theft.

Model No. _____

Serial No. _____

WARNING:

- This apparatus must be earthed.
- Apparatus shall be connected to a main socket outlet with a protective earthing connection.
- The mains plug or an appliance coupler shall remain readily operable.
- To reduce the risk of fire or electric shock, do not expose this apparatus to rain or moisture.
- The apparatus should not be exposed to dripping or splashing and that no objects filled with liquids, such as vases, should be placed on the apparatus.
- All work related to the installation of this product should be made by qualified service personnel or system installers.
- To prevent injury, this apparatus must be securely attached to the floor/wall in accordance with the installation instructions.
- The connections should comply with local electrical code.
- The risk of hearing impairment due to exposure to excessive sound levels may be reduced by listening at lower volumes and for shorter durations.

For U.S.A.

CAUTION

The FCC ID number for this radio equipment is listed below.

FCC ID: ACJ9TAWX-C3010

For Canada

RSS-213

Operation is subject to the following two conditions: (1) this device may not cause interference, and (2) this device must accept any interference, including interference that may cause undesired operation of the device.

For Canada


ICES-003

This Class A digital apparatus complies with Canadian ICES-003.

CAUTION:

- Danger of explosion if battery is incorrectly replaced. Replace only with the same or equivalent type.
- These servicing instructions are for use by qualified service personnel only. To reduce the risk of electric shock do not perform any servicing other than that contained in the operating instructions unless you are qualified to do so.

ATTENTION:



A lithium-ion battery that is recyclable powers the product you have purchased. Please call 1-800-8-BATTERY for information on how to recycle this battery.

Limitation of Liability

THIS PUBLICATION IS PROVIDED "AS IS" WITHOUT WARRANTY OF ANY KIND, EITHER EXPRESS OR IMPLIED, INCLUDING BUT NOT LIMITED TO, THE IMPLIED WARRANTIES OF MERCHANTABILITY, FITNESS FOR ANY PARTICULAR PURPOSE, OR NON-INFRINGEMENT OF THE THIRD PARTY'S RIGHT.

Disclaimer of Warranty

IN NO EVENT SHALL MATSUSHITA ELECTRIC INDUSTRIAL CO., LTD. BE LIABLE TO ANY PARTY OR ANY PERSON, EXCEPT FOR REPLACEMENT OR REASONABLE MAINTENANCE OF THE PRODUCT, FOR THE CASES, INCLUDING BUT NOT LIMITED TO BELOW:

- (1) ANY DAMAGE AND LOSS, INCLUDING WITHOUT LIMITATION, DIRECT OR INDIRECT, SPECIAL, CONSEQUENTIAL OR EXEMPLARY, ARISING OUT OF OR RELATING TO THE PRODUCT;
- (2) PERSONAL INJURY OR ANY DAMAGE CAUSED BY INAPPROPRIATE USE OR NEGLIGENT OPERATION OF THE USER;
- (3) UNAUTHORIZED DISASSEMBLE, REPAIR OR MODIFICATION OF THE PRODUCT BY THE USER;
- (4) ANY PROBLEM, CONSEQUENTIAL INCONVENIENCE, OR LOSS OR DAMAGE, ARISING OUT OF THE SYSTEM COMBINED BY THE DEVICES OF THIRD PARTY;
- (5) PERSONAL INJURY, ANY LOSS OR DAMAGE, ARISING OUT OF THE DROP CAUSED BY THE INCOMPLETE INSTALLATION.

Important Safety Instructions

- 1) Read these instructions.
- 2) Keep these instructions.
- 3) Heed all warnings.
- 4) Follow all instructions.
- 5) Do not use this apparatus near water.
- 6) Clean only with dry cloth.
- 7) Do not block any ventilation openings. Install in accordance with the manufacturer's instructions.
- 8) Do not install near any heat sources such as radiators, heat registers, stoves, or other apparatus (including amplifiers) that produce heat.
- 9) Do not defeat the safety purpose of the polarized or grounding-type plug. A polarized plug has two blades with one wider than the other. A grounding type plug has two blades and a third grounding prong. The wide blade or the third prong are provided for your safety. If the provided plug does not fit into your outlet, consult an electrician for replacement of the obsolete outlet.
- 10) Protect the power cord from being walked on or pinched particularly at plugs, convenience receptacles, and the point where they exit from the apparatus.
- 11) Only use attachments/accessories specified by the manufacturer.
- 12) Use only with the cart, stand, tripod, bracket, or table specified by the manufacturer, or sold with the apparatus. When a cart is used, use caution when moving the cart/apparatus combination to avoid injury from tip-over.



- 13) Unplug this apparatus during lightning storms or when unused for long periods of time.
- 14) Refer all servicing to qualified service personnel. Servicing is required when the apparatus has been damaged in any way, such as power-supply cord or plug is damaged, liquid has been spilled or objects have fallen into the apparatus, the apparatus has been exposed to rain or moisture, does not operate normally, or has been dropped.

CONTENTS

Limitation of Liability	4
Disclaimer of Warranty	4
Important Safety Instructions	5
Preface	7
Features	7
Precautions	8
Operations	9
Major Operating Controls and Their Functions	9
■ WX-C3010 Center Module	9
Operating Procedures	12
■ Basic Operation	12
● Power ON	12
● Communications with Customers (TALK)	12
● Communications with other Store Personnel (PAGE)	12
● Double Drive-Thru Lane Changeover	12
● Power OFF	12
■ Convenient Functions	12
● Auto Talk Lock	12
● Manager Mode	12
● Speed Term	12
● Greeter	13
● Vehicle Detector BEEP DAY/NIGHT	14
● Outside Speaker Level DAY/NIGHT	14
● Vehicle Detector Normal/Override On	15
● Talk/Page Release	15
Installation & Connections	16
Panasonic WX-C3010 Series System Parts and Accessories	16
Major Operating Controls and Their Functions	17
Installations/Connections	19
■ Installation procedures	19
■ Preparations	19
■ Installation of center modules on the wall	19
■ Wiring to the center modules	20
■ Clamping the Power Plug and Power Cord	21
■ Basic Connection	22
■ POS (Point of sales)-System Connection	23
■ Double-Drive-Thru Connection	24
■ ID registration for follower units	25
■ Installed System Setting	26
● Setup operation for AUX SP (Auxiliary Speaker)	26
● Setup operation for Echo Canceller (Echo Canceller Effect Level Control)	27
● Setup operation for DNR Level (Digital Noise Reduction Effect Level Control)	27
● Setup operation for Dual Lane	28
● Lane setup	29
● POS Remote setup	29
● TX Power setup	29
■ Info about POS Remote functions	30
Maintenance & Specifications	31
Troubleshooting.....	31
Specifications	33
Standard accessories	34

Preface

Center Module WX-C3010 is exclusively designed for Panasonic Wireless Communication System, which is used with drive-thru menu boards, etc. The system operates on 1.9 GHz DECT.

Features

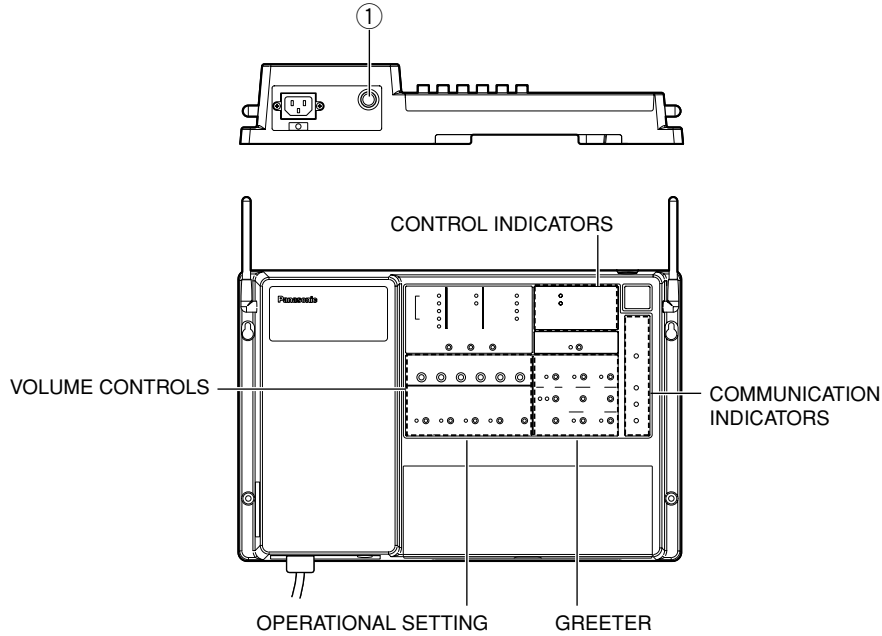
- 1.9 GHz DECT* is used with center module to prevent the interference from microwave ovens or wireless LAN used with 2.4 GHz DECT.
Four-channel simultaneous communication in full duplex (TALK & PAGE) using DECT technology facilitates workflows at drive-thrus, and digital technology enables simultaneous communications. DECT technology can be used even in the places where wiring is difficult.
*Digital Enhanced Cordless Telecommunications
- DNR (Digital Noise Reduction)
DNR function, processed in the Digital Signal Processor (DSP), reduces noise to improve sound quality.
- Acoustic Echo Canceller eliminates acoustic echo at the menu board.
- Greeter
When a customer approaches the menu board, the message* recorded in the center module is automatically output from the menu board speaker.
* Up to two messages can be recorded.
- Four-channel simultaneous communication
The total number of All-in-One Headsets and Order Takers that can be registered is 32. Up to four operators can communicate at the same time using All-in-One Headsets and Order Takers.
- Manager mode
It is possible to set the manager mode to one of the registered All-in-One Headsets or Order Takers. A person using this headset or Order Taker has the priority of communication.

Precautions

- Handle this product with care. The product contains sensitive components that can be damaged by improper handling or storage.
- Repair or replace any defective components.
- Use this product for indoor use only.
- Do not expose this product to direct sunlight for hours and do not install the product near a heater or an air conditioner. Otherwise, it may cause deformation, discoloration and malfunction. Keep this product away from water.
- Avoid installing in the following locations.
 - Locations where a chemical agent is used such as a swimming pool
 - Locations under the air conditioner
 - Locations near the fryer
 - Locations near the grill
 - Locations in a humid or dust-laden environment
 - Locations near flammable gas or vapor
 - Locations where radiation or x-ray emissions are produced
 - Locations subject to strong magnetic field or radio waves
 - Locations where corrosive gas is produced
 - Locations where it may be damaged by briny air such as seashores
 - Locations subject to vibrations (This product is not designed for on-vehicle use.)
- Be sure to remove this product if it is not in use.
- Avoid connections during a lightning storm. Otherwise, an electric shock may be caused.

Major Operating Controls and Their Functions

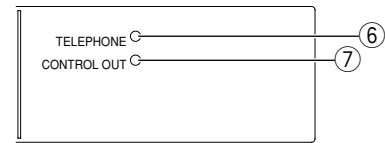
■ WX-C3010 Center Module



① Power ON/OFF Switch

This switch turns the power of the center module on and off.

[CONTROL INDICATORS]



[COMMUNICATION INDICATORS]

② Power Indicator (Green) (POWER)

This indicates that the power of center module is on.

③ Talk/Gooseneck Microphone/ Indicator (Yellow) (TALK)

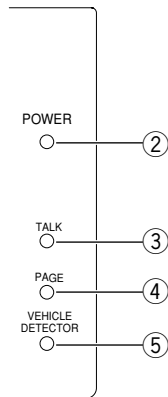
This lights up during conversation with customers.

④ Page Indicator (Green) (PAGE)

This lights up during conversation among store personnel.

⑤ Vehicle Detector Indicator (Yellow) (VEHICLE DETECTOR)

This lights up when a vehicle is sensed by the vehicle detector. The indicator blinks while the speed team mode is active.



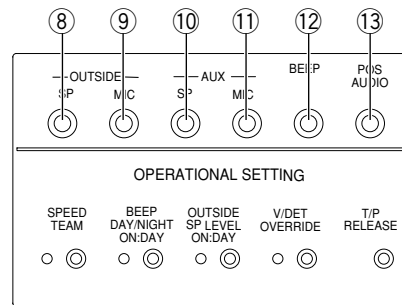
⑥ Telephone Indicator (Green) (TELEPHONE)

Not used.

⑦ Control Output Indicator (Green) (CONTROL OUT)

This indicator lights while the external control.

[VOLUME CONTROLS]



⑧ Outside Speaker Volume (OUTSIDE, SP)

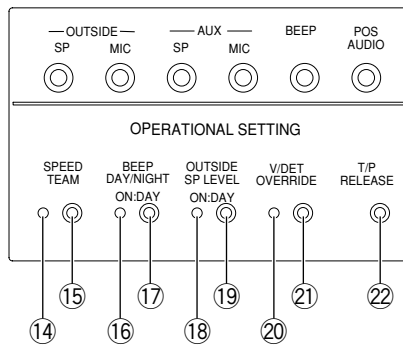
This control sets the output level of outside speaker.

⑨ Outside Microphone Volume (OUTSIDE, MIC)

This control sets the input level of outside microphone.

- ⑩ **Auxiliary Speaker Volume (AUX, SP)**
This control sets the output level of auxiliary speaker.
- ⑪ **Auxiliary Microphone Volume (AUX, MIC)**
This control sets the input level of gooseneck microphone.
- ⑫ **Vehicle Detector Beep Volume (BEEP)**
This control sets the vehicle detection beep tone for the Order Taker or the All-in-One Headset.
- ⑬ **POS Audio Volume (POS AUDIO)**
This control sets the input level of POS audio.

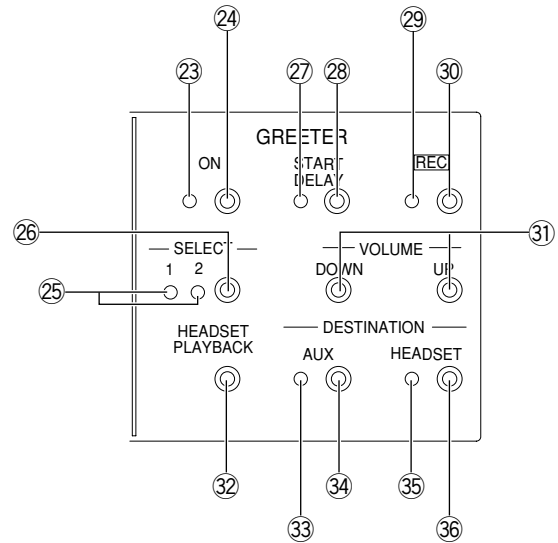
[OPERATIONAL SETTING]



- ⑭ **Speed Team Indicator (yellow) (SPEED TEAM)**
This indicates that the speed team mode is on.
- ⑮ **Speed Team On/Off Button**
This button turns the speed team mode on and off.
- ⑯ **Vehicle Detector Beep Day/Night Indicator (yellow) (BEEP DAY/NIGHT ON:DAY)**
This indicates that the vehicle detector beep has selected DAY.
- ⑰ **Vehicle Detector Beep Day/Night Button**
This button turns the vehicle detector beep DAY and NIGHT.
Day mode: Disables the vehicle detector beep on the other lane.
Night mode: Reduces the volume of the vehicle detector beep on the other lane.
- ⑱ **Outside Speaker Level Indicator (yellow) (OUTSIDE SP LEVEL ON:DAY)**
This indicates that the outside speaker level has selected normal level.
- ⑲ **Outside Speaker Level DAY/NIGHT Button**
This button turns the outside speaker level normal level and 50% level.
- ⑳ **Vehicle Detector Normal/Override On Indicator (yellow) (V/DET OVERRIDE)**
This indicates that the vehicle detector has selected Override On.

- ㉑ **Vehicle Detector Normal/Override On Button**
This button turns the vehicle detector Normal and Override On.
NORMAL: The vehicle detector turns on only when vehicle is detected at the menu board.
OVERRIDE ON: The vehicle detector is always turned on.
- ㉒ **Talk/Page Release Button (T/P RELEASE)**
The button is used to release temporarily the talk/page communication of the Order Taker or All-in-One Headset.

[GREETER]



- ㉓ **Greeter On/Off Indicator (yellow) (GREETER, ON)**
This indicates that the greeter function has selected on.
- ㉔ **Greeter On/Off Button (GREETER, ON)**
This button turns the greeter function on and off.
- ㉕ **Greeter Memory Select and Output Level Indicator (green/yellow/red) (SELECT)**
This indicates that the greeter memory has been selected. Each memory has a capacity to record a message for 16 seconds at the maximum.
1: This indicates that the greeter memory has selected 1. (The message of "Please pull forward" is a factory default.)
2: This indicates that the greeter memory has selected 2.
Off: Greeter is Off.
Green: When the greeter output level set in LOW, the indicator lights up in green.
Yellow: When the greeter output level set in MID, the indicator lights up in yellow.
Red: When the greeter output level set in HIGH, the indicator lights up in red.
- ㉖ **Greeter Memory Select Button (SELECT)**
This button selects either of the greeter memories.

- ②7 **Greeter Start Delay Indicator (Yellow) (START DELAY)**
This indicates that the greeter start delay has selected on.
- ②8 **Greeter Start Delay Button (START DELAY)**
This button turns the greeter start delay normal and delay.
- ②9 **Greeter Record Indicator (Red) (REC)**
This indicates that while recording in the selected greeter memory (1 or 2).
- ③0 **Greeter Record Button (REC)**
When this button is pushed, the message from Order Taker or All-in-One Headset is recorded in the selected greeter memory (1 or 2).
- ③1 **Greeter Output Level Down/Up Buttons (VOLUME, UP/DOWN)**
These buttons go up or down the output level of greeter. According to the operations on the buttons, the SELECT indicator changes the indication.
- ③2 **Greeter Playback Button (HEADSET PLAYBACK)**
When this button is pressed, Order Taker or All-in-One Headset plays back the message from selected greeter.
- ③3 **Greeter Output Auxiliary Speaker Indicator (Green) (DESTINATION, AUX)**
This indicator lights when the greeter message output is provided through the auxiliary speaker.
- ③4 **Greeter Output Auxiliary Speaker Button (DESTINATION, AUX)**
This button selects the greeter output to the auxiliary speaker On and Off.
- ③5 **Greeter Output Headset Indicator (Green) (DESTINATION, HEADSET)**
This indicates that the greeter output to the headset is on.
- ③6 **Greeter Output Headset Button (DESTINATION, HEADSET)**
This button selects the greeter output to the headset On and Off.

Operating Procedures

■ Basic Operation

● Power ON

Press the Power ON/OFF Switch of the center module to turn the power supply ON.

It takes about 5 seconds until the power supply is started. Then, press the Power buttons of the Order Taker and the All-in-One Headset to turn their power supplies ON.

● Communications with Customers (TALK)

Store personnel wearing the headset can communicate bidirectionally with any customer who is at the menu board.

In regard to the method of talking, refer to the operating instructions of the Order Taker (WX-T3020) or the All-in-One Headset (WX-H3050).

● Communications with other Store Personnel (PAGE)

Store personnel wearing the headset can communicate with each other without being heard by customers.

In regard to the method of paging, refer to the operating instructions of the Order Taker (WX-T3020) or the All-in-One Headset (WX-H3050).

● Double Drive-Thru Lane Changeover

In the case of double drive-thru, it is possible to talk or page by selecting either Lane A or Lane B.

In regard to the method of lane changeover operation, refer to the operating instructions of the Order Taker (WX-T3020) or the All-in-One Headset (WX-H3050).

● Power OFF

To turn the power supply OFF, keep pressing the Power button of the Order Taker or the All-in-One Headset for more than 2 seconds.

Lastly, press the Power ON/OFF switch of the center module to turn its power supply OFF.

■ Convenient Functions

● Auto Talk Lock

When a customer approaches the menu board, it is automatically possible to make the predetermined personnel's headset (Order Taker or All-in-One Headset) stay in TALK state. (The Talk Lock Mode is assumed.)

In regard to the method of Auto Talk Lock Mode setup, refer to the operating instructions of the Order Taker (WX-T3020) or the All-in-One Headset (WX-H3050).

● Manager Mode

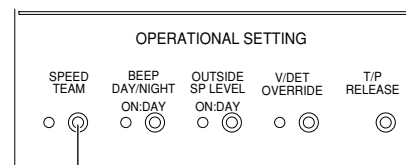
You can set one headset (Order Taker or All-in-One Headset) to the manager mode in a Lane. Refer to the operation manual of Order Taker or All-in-One Headset about the setting method. The headset set to the MANAGER MODE has following functionality.

- The manager can interrupt store personnel's TALK or PAGE at any time by monopolizing one channel by priority.
- The Manager can hear audio from POS alone (setting necessary)

● Speed Team

This SPEED TEAM operation is used at the congestion time. Doesn't use the outside microphone and speaker. An Order Taker or All-in-One Headset communicates order from outside into the store.

1. Press the SPEED TEAM button of the Center Module.



Speed Team On/Off Button

2. The Order Taker or All-in-One Headset allows the operator to hear the voice prompt of the "SPEED TEAM ON".
3. The Order Taker or All-in-One Headset allows the operator to communicate by pressing the PAGE button.
4. Press the PAGE button, and communication can be performed in the PAGE-LOCK mode. (Even if the PAGE button is set to PTP, it operates by PAGE-LOCK.)

- Press the SPEED TEAM button of the Center Module again, the SPEED TEAM mode will be released. The Order Taker or All-in-One Headset allows the operator to hear the voice prompt of the "SPEED TEAM OFF".

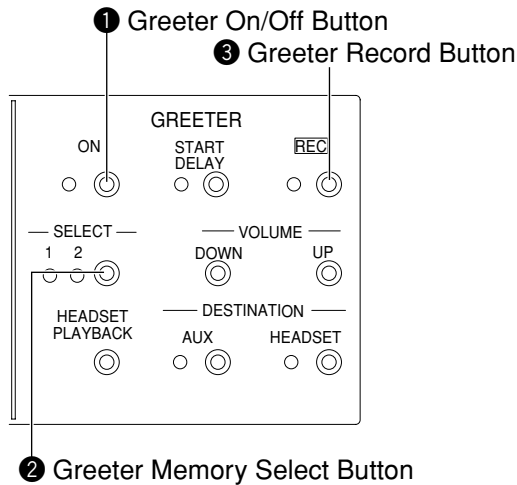
Notes:

- TALK is prohibited in the speed team mode. If TALK is attempted with the Order Taker or the All-in-One Headset, a voice prompt of "Operation not allowed" is heard from the headset speaker.
- If POS Remote is set for ON, you have to note that no button operation of the speed team is possible at the center module.

● Greeter

When the customer approaches the menu board, the voice message recorded in the Center Module is automatically output to the outside speaker. The Center Module has two memories, and you can select either message.

[Method of recording message]



4 PAGE button of the Order Taker or All-in-One Headset

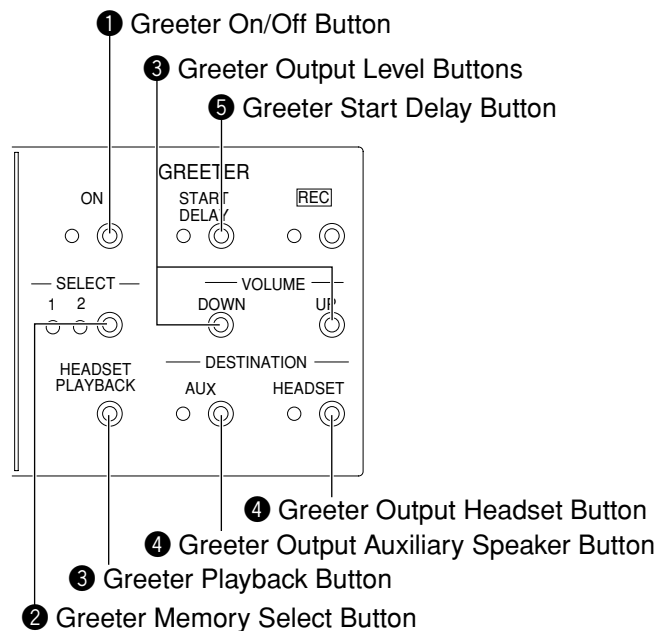
- Press the Greeter ON/OFF Button of the Center Module. The Greeter ON/OFF Indicator will light in yellow.
- Press the Greeter Memory Select Button of Center Module and select the memory 1 or 2.
- Press the Greeter Record Button of Center Module. The Greeter Record Indicator will light in red.
- Hold down the PAGE button at the PTP setting. Press the PAGE button at the PAGE LOCK setting. A message can be recorded for 16 seconds at the maximum.

- Release the PAGE button at the PTP setting. Press the PAGE button again at the PAGE LOCK setting. When recording is complete, one each of the recorded messages is soon reproduced thereafter.

Notes:

- At the time of shipment from the factory, a message of "Please pull forward" is recorded in Message 1. If any recording is performed on Message 1, the original message will be overridden by the new message.
- No recording is possible during Greeter reproduction.
- It must be noted that the talking sound is also recorded if TALK operation is attempted during recording.

[Output setting of Greeter]



- Press the Greeter ON/OFF Button of the Center Module. The Greeter ON/OFF Indicator will light in yellow.
- Press the Greeter Memory Select Button of the Center Module, and select the memory 1 or 2.
- Press the Greeter Playback Button of the Center Module, and set the output level of message to the optimum level by the Greeter Output Level DOWN/UP Buttons.
- Set the output destination of the message.
 - Output to the auxiliary speaker
Press the Greeter Output Auxiliary Speaker Button of the Center Module. The Greeter Output Auxiliary Speaker Indicator will light in green.
 - Output to the Headset
Press the Greeter Output Headset Button of the Center Module. The Greeter Output Headset Indicator will light in green.

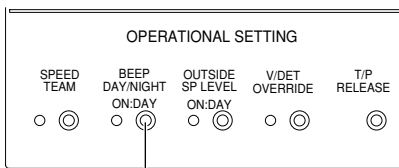
- When the delay is necessary for the message
When the customer approaches the menu board, the message is output after a delay of 2 seconds. Press the Greeter Start Delay Button of the Center Module. The Greeter Start Delay Indicator will light in yellow.

● Vehicle Detector BEEP DAY/NIGHT

In the case of Double Drive-Thru configuration, it is possible to select the Vehicle Detector Beep tone to be heard when a customer approaches the menu board.

Day/Night setup can be made by button operation at the front panel of this unit.

When the Day mode is set, the Beep Day/Night indicator of the center module will light in yellow. When the Beep Day/Night button is pressed, the Night mode is assumed and this indicator will disappear.



Vehicle Detector Beep DAY/NIGHT Button

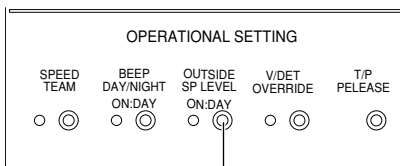
DAY/NIGHT	Vehicle detector		Order Taker and All-in-One Headset	
	Lane A is ON	Lane B is ON	A	B
DAY	○	—	Beep A	—
	—	○	—	Beep B
	○	○	Beep A	Beep B
NIGHT	○	—	Beep A	Low level Beep A
	—	○	Low level Beep B	Beep B
	○	○	Beep A + Low level beep B (*1)	Beep B + Low level beep A (*2)

*1: When you press the button T1, the beep will change to low level beep B only.

*2: When you press the button T1, the beep will change to low level beep A only.

● Outside Speaker Level DAY/NIGHT

The Outside Speaker level can be set up.
Day/Night setup can be made by button operation at the front panel of this unit.



Outside Speaker Level DAY/NIGHT Button

Note:

- If POS Remote is set for ON, you have to note that no button operation of the Beep Day/Night is possible at the center module.

DAY mode: When you are taking charge of lane A, if the vehicle detector is on the lane A, you will hear the beep A. If the vehicle detector is on of the lane B, you will not hear the beep B.

NIGHT mode: When you are taking charge of lane A, if the vehicle detector is on the lane A, you will hear the beep A. If the vehicle detector is on of the lane B, you will hear the low level beep B. When both vehicle detectors are on, you will alternately hear the beep A and the low level beep B.

When the Day mode is set, the Outside SP Level indicator of the center module will light in yellow. When the Outside SP Level button is pressed, the Night mode is assumed and this indicator will disappear.

DAY mode: Normal level

NIGHT mode: 50% level (Attenuation)

Note:

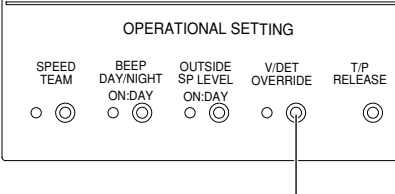
- If POS Remote is set for ON, you have to note that no button operation of the Outside Speaker Level is possible at the center module.

● Vehicle Detector Normal/Override On

The Vehicle Detector operation can be set up.

Normal/Override On setup can be made by button operation at the front panel of this unit.

When the Override On mode is set, the V/D Override indicator of the center module will light in yellow. When the V/D Override button is pressed, the Normal mode is assumed and this indicator will disappear.



Vehicle Detector Normal/Override On Button

NORMAL: The vehicle detector turns on only when a vehicle is detected at the menu board. When the detector turns on, a beep tone is heard in the headset. When the Talk button is pressed on the Order Taker or All-in-One Headset side, the Outside Speaker and the Outside Microphone are turned ON at the menu board.

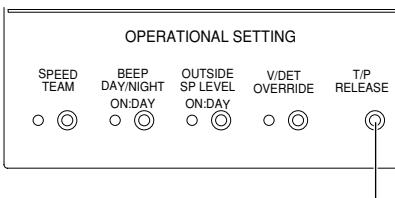
When the vehicle leaves, the vehicle detector turns off. When setting the normal position, Auto Talk Lock mode is enabled.

OVERRIDE ON: The vehicle detector is always turned on. When setting the override on position, Auto Talk Lock mode is invalid.

● Talk/Page Release

In Talk or Page mode, any talk is temporarily interrupted at the headset (Order Taker or All-in-One Headset).

Operation of Talk/Page Release is possible by button operation at the front panel of this unit.



Talk/Page Release Button

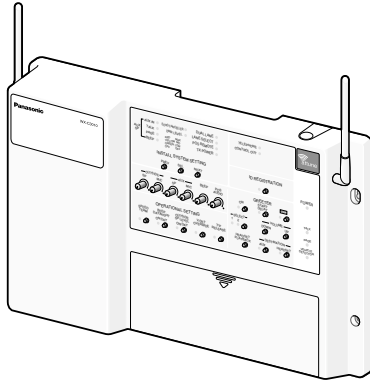
Notes:

- If POS Remote is set for ON, you have to note that no button operation of the Talk or Page Release is possible at the center module.
- It is impossible to release the Talk or Page mode of the All-in-One Headset or Order Taker in the manager mode.

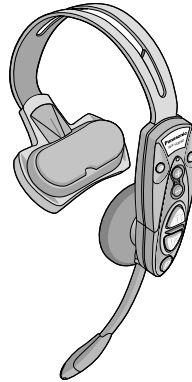
Panasonic WX-C3010 Series System Parts and Accessories

Note: Illustrations may differ from actual products.

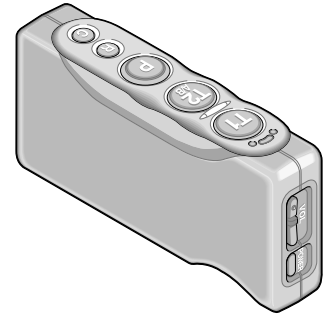
■ **Center Module**
WX-C3010



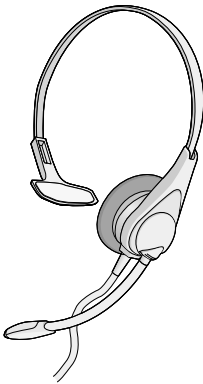
■ **All-in-One Headset**
WX-H3050



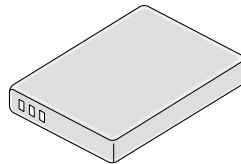
■ **Order Taker**
WX-T3020



■ **Headset**
WX-H3027

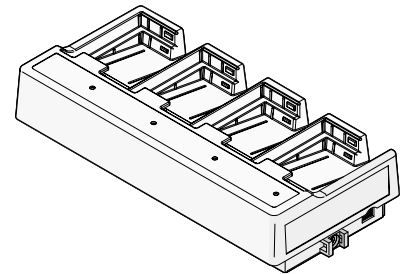


■ **Battery**
WX-B3030 (1UF653450R-MDSP)

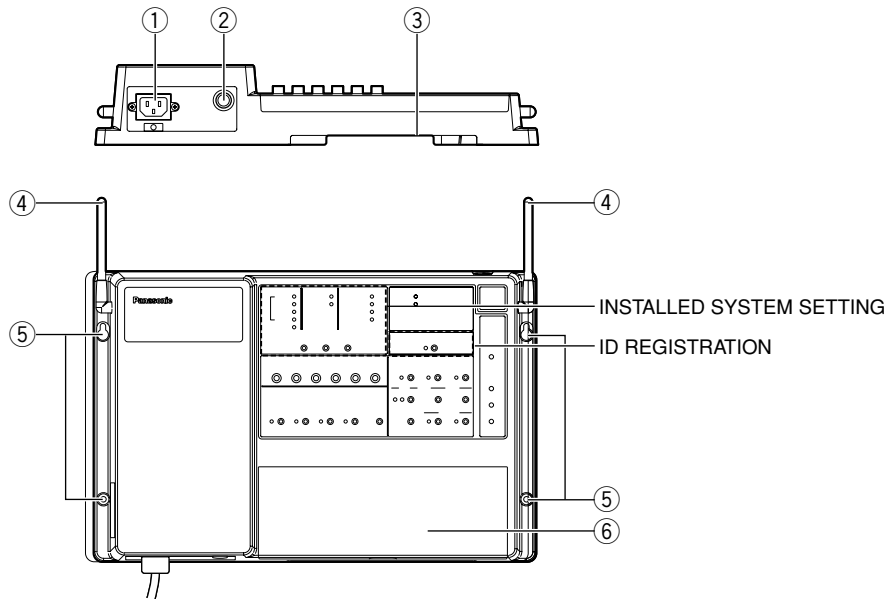


- WX-B3030 and 1UF653450R-MDSP are same models.
- Only used for WX-H3050 and WX-T3020.

■ **Battery Charger**
WX-Z3040



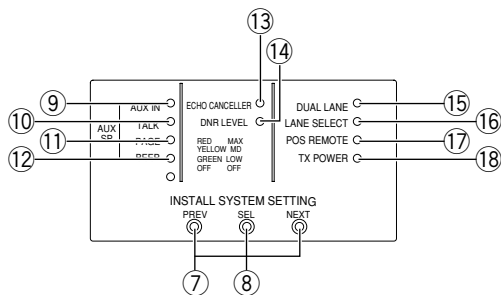
Major Operating Controls and Their Functions



- ① AC Inlet
- ② Power On/Off Switch
- ③ Through-hole
- ④ Antenna
- ⑤ Mounting Hole
- ⑥ Terminal Board Cover

[INSTALLED SYSTEM SETTING]

The following buttons should be used by qualified service personnel or system installers only.



- ⑦ **PREV/NEXT Button (INSTALL SYSTEM SETTING, PREV/NEXT)**
These buttons select the system setting items.
- ⑧ **Select Button (SEL)**
This button selects set value of the system setting items.
- ⑨ **Auxiliary Input On/Off Indicator (Green) (AUX IN)**
This indicator is toggled ON when the auxiliary input sound is provided through the auxiliary speaker.

- ⑩ **Talk On/Off Indicator (Green) (TALK)**
This indicator is toggled ON when the communication between store personnel and a customer is provided through the auxiliary speaker.
- ⑪ **Page On/Off Indicator (Green) (PAGE)**
This indicator is toggled ON when the communication among store personnel is provided through the auxiliary speaker.
- ⑫ **Beep On/Off Indicator (Green) (BEEP)**
This indicator is toggled ON when a beep is provided through the auxiliary speaker.
- ⑬ **Echo Canceller Effect Level Control Indicator (ECHO CANCELLER)**
The removal rate of the echo canceller, intended to eliminate the echo returned from the menu board, is set up.
OFF: Off
LOW: Green
MID: Yellow
HIGH: Red
- ⑭ **DNR Effect Level Control Indicator (DNR LEVEL)**
The more the noise is reduced, the lower the sound quality will be. The table of the page 27 relationship between noise reduction level and quality.
OFF: Off
LOW: Green
MID: Yellow
HIGH: Red
- ⑮ **Dual lane On/Off Indicator (Green) (DUAL LANE)**
When the TANDEM operation at the double drive-thru, set to ON.

⑩⑥ **Lane select Indicator (Red/Green) (LANE SELECT)**

Select the lane A or B at the double drive-thru.

Red: Selected Lane A

Green: Selected Lane B

⑩⑦ **POS Remote Control Indicator (Green)
(POS REMOTE)**

This item selects the POS remote control On and Off.

OFF: POS Remote OFF

ON: POS Remote ON

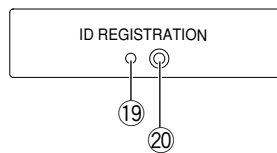
⑩⑧ **TX Power Indicator (Green) (TX POWER)**

This item selects the transmit power Normal and Attenuation.

OFF: Reduce Power (25 %)

ON: Normal Power

[ID REGISTRATION]



⑩⑨ **ID Registration Indicator (Red) (ID REGISTRATION)**

This indicates that while the ID registration.

⑩⑩ **ID Registration Button**

Pressing this button for two second or more will turn the ID registration mode On. When you push this button again, it returns to a normal mode.

■ Installation procedures

Preparations (Refer to page 19.)

Installation of center modules on the wall (Refer to page 19.)

Wiring to the center modules (Refer to page 20.)

ID registration for follower units (Refer to page 25.)

[System Setup]

Installed System Setting (Refer to page 26.)

Adjustments to adequate sound levels

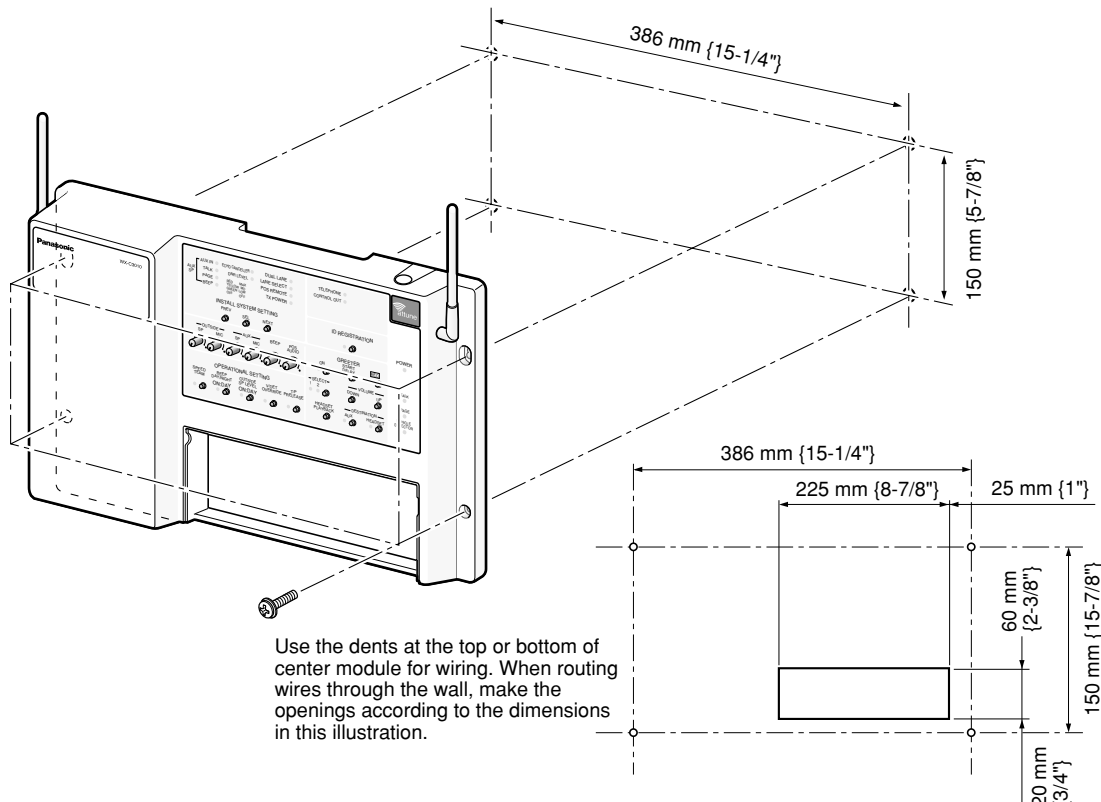
■ Preparations

This Center Module is designed to be mounted on a wall directly. Please be advised of the following:

- Procure 4 mounting screws according to the material of the installation area.
In this case, wood screws and nails should not be used.
Recommended screw: M4 x 25 mm
- Required pull-out capacity of a single screw/bolt is 118 N {12 kgf} or more.
- If a wall board is too weak to support the total weight, the area shall be sufficiently reinforced.

■ Installation of center modules on the wall

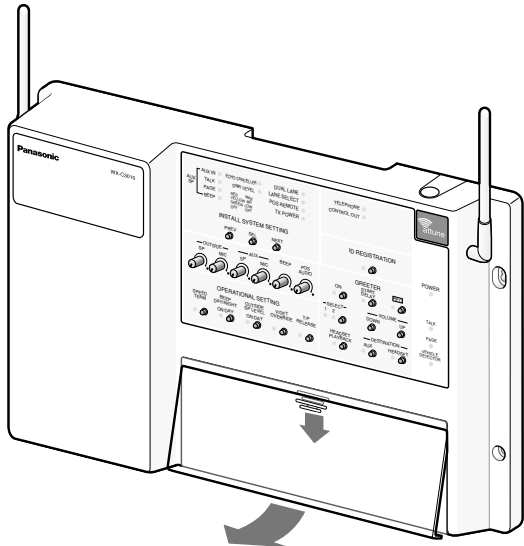
Fix the center module directly to the wall, using the prepared 4 screws. (These screws are not furnished.)



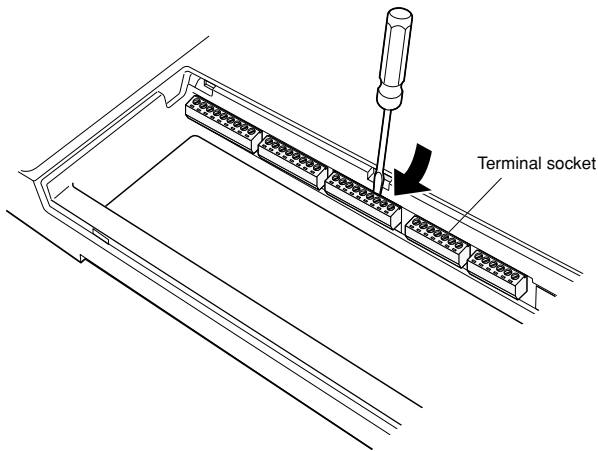
■ Wiring to the center modules

1. Remove the terminal cover.

Slide the front cover downwards by pressing its arrow-marked part and pull the lower side of the cover toward you.



2. Insert a “minus” screwdriver in the slot as illustrated and remove the terminal socket from the main unit.



3. Connect the wiring material to the terminal socket. Use the “minus” screwdriver and loosen the screw located on the upper surface of the terminal socket. Peel off the sheath from the tip of the wiring material and insert the cable tip in the terminal socket. Firmly tighten the loosened screw by means of the “minus” screwdriver. Repeat the above-mentioned same procedure for each terminal.

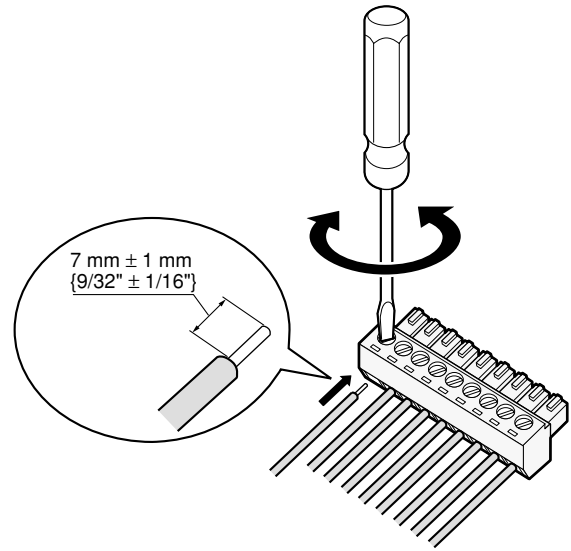
Note: Process the wires according to the following.

Recommended wire type: AWG 28 - 16 (Do not use soldered wires.)

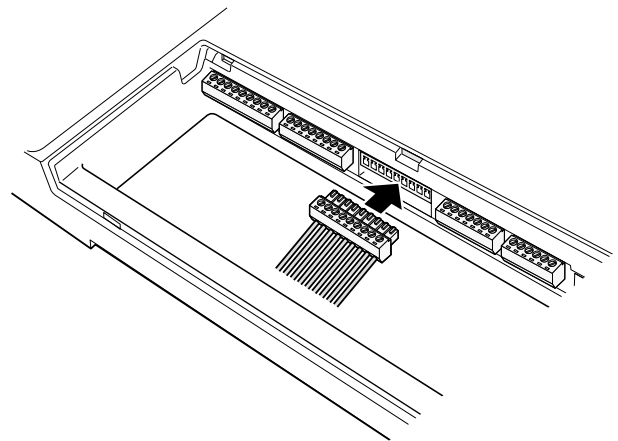
Length to be stripped: 7 mm ± 1 mm {9/32" ± 1/16"}

Diameter of screw: ø 2 mm {3/32"}

Recommended tightening torque: 0.22 N·m to 0.25 N·m

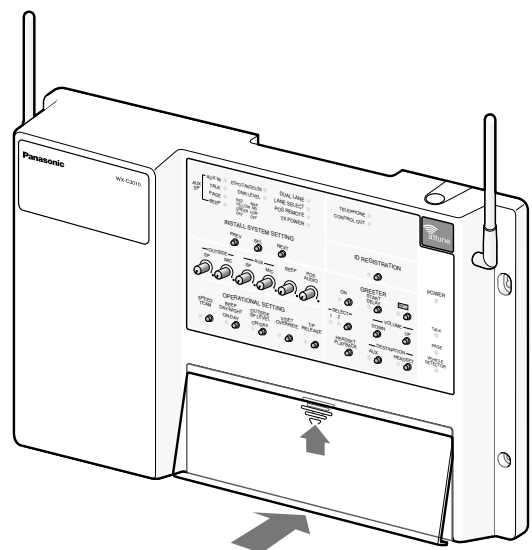


4. Mount the cabled socket on the main unit. **Note:** Insert the socket firmly into the main unit.



5. Slide the front cover from the bottom and mount it on the main unit.

Note: Surely attach the front cover to the main unit.

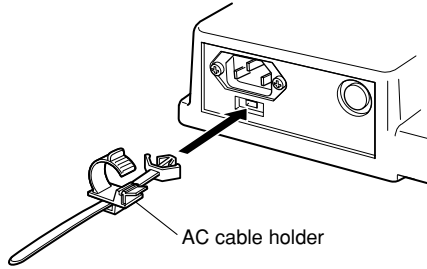


■ Clamping the Power Plug and Power Cord

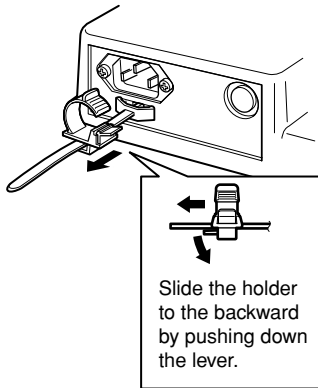
Important:

Surely clamp the power plug to this center module and screw the AC cable to the wall using the provided holder.

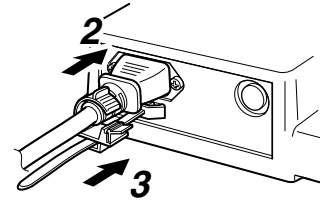
1. Insert an AC cable holder into the hole under the AC inlet.



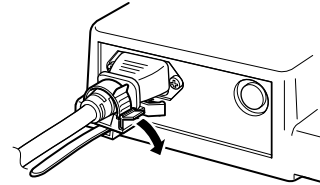
2. Slide the holder to the backward by pushing down the clamp lever.



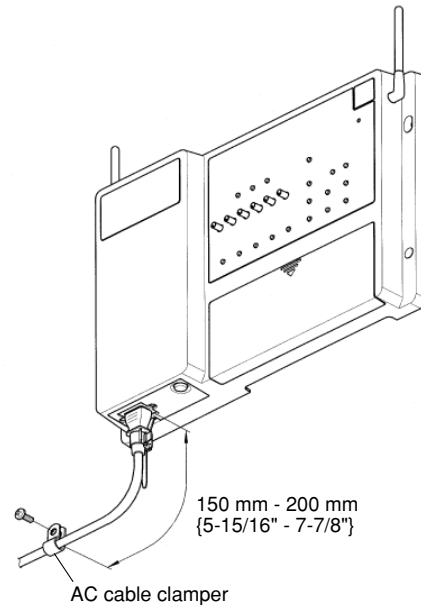
3. Insert the power plug into the power cord inlet.
4. Push the holder forward until the holder touches the power plug.



5. Lock the holder.



6. Clamp the AC cable with the provided clamp, and secure the AC cable clumper to the wall by fastening the screws.



● Refer to the following lists attached on the inside of the terminal cover to make connections.

CONNECTOR 1 ORDER INTERFACE		
1	AUX SP + (8Ω)	
2	AUX SP GND	
3	OUTSIDE SP + (8Ω)	
4	OUTSIDE SP GND	
5	OUTSIDE MIC +	
6	OUTSIDE MIC -	
7	OUTSIDE MIC GND	
8	VIDET 1 IN	
9	COM	
10	VIDET 2 IN	

CONNECTOR 2 ORDER INTERFACE		
1	AUX MIC +	
2	AUX MIC -	
3	AUX MIC GND	
4	AUX MIC PTT	
5	COM	
6	DEVICE CONTROL	
7	COM	
8	N.C	

CONNECTOR 3 POS INTERFACE		
1	SPEED TEAM	
2	T/P RELEASE	
3	MANAGER SELECT	
4	PAGE SELECT	
5	IN COM	
6	POS AUDIO IN	
7	POS AUDIO GND	
8	POS AUDIO OUT	
9	POS AUDIO GND	

CONNECTOR 4 POS INTERFACE		
1	VIDET 1	
2	VIDET 2	
3	TALK	
4	PAGE	
5	OUT COM	
6	NIGHT MODE	
7	OUTSIDE SP LEVEL	

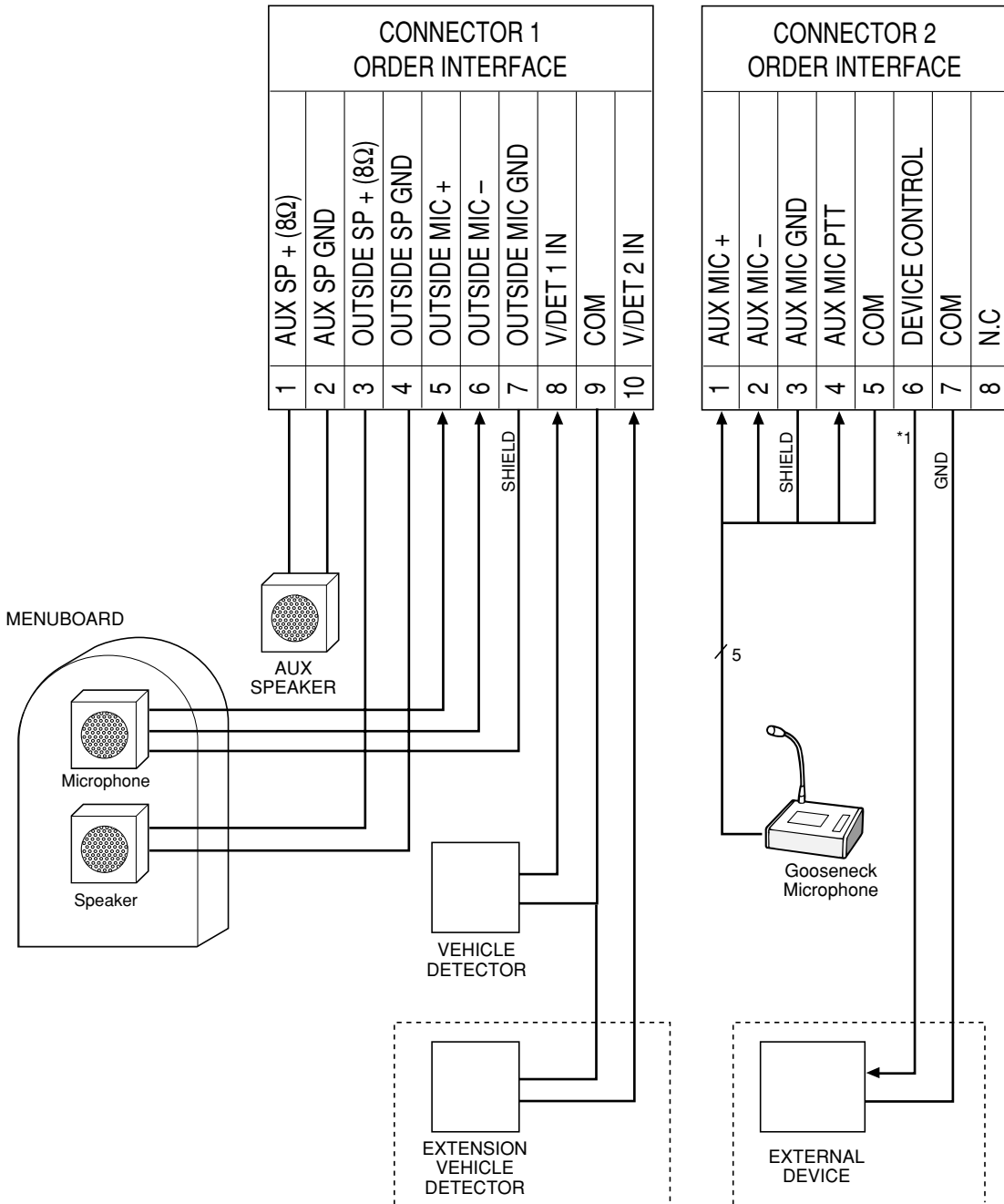
CONNECTOR 5		
1		
2	N.C	
3		
4		
5		
6	COM	

CONNECTOR 6 MAINTENANCE		
1		
2		
3		
4		
5		
6		
7		
8		
9		
10		
11		
12		
13		
14		
15		
16		
17		
18		
19		
20		
21		
22		
23		
24		
25		
26		
27		
28		
29		
30		
31		
32		
33		
34		
35		
36		
37		
38		
39		
40		
41		
42		
43		
44		
45		
46		
47		
48		
49		
50		
51		
52		
53		
54		
55		
56		
57		
58		
59		
60		
61		
62		
63		
64		
65		
66		
67		
68		
69		
70		
71		
72		
73		
74		
75		
76		
77		
78		
79		
80		
81		
82		
83		
84		
85		
86		
87		
88		
89		
90		
91		
92		
93		
94		
95		
96		
97		
98		
99		
100		
101		
102		
103		
104		
105		
106		
107		
108		
109		
110		
111		
112		
113		
114		
115		
116		
117		
118		
119		
120		
121		
122		
123		
124		
125		
126		
127		
128		
129		
130		
131		
132		
133		
134		
135		
136		
137		
138		
139		
140		
141		
142		
143		
144		
145		
146		
147		
148		
149		
150		
151		
152		
153		
154		
155		
156		
157		
158		
159		
160		
161		
162		
163		
164		
165		
166		
167		
168		
169		
170		
171		
172		
173		
174		
175		
176		
177		
178		
179		
180		
181		
182		
183		
184		
185		
186		
187		
188		
189		
190		
191		
192		
193		
194		
195		
196		
197		
198		
199		
200		

CONNECTOR 7 DDT INTERFACE		
1		
2		
3		
4		
5		
6		
7		
8		
9		
10		
11		
12		
13		
14		
15		
16		
17		
18		
19		
20		
21		
22		
23		
24		
25		
26		
27		
28		
29		
30		
31		
32		
33		
34		
35		
36		
37		
38		
39		
40		
41		
42		
43		
44		
45		
46		
47		
48		
49		
50		
51		
52		
53		
54		
55		
56		
57		
58		
59		
60		
61		
62		
63		
64		
65		
66		
67		
68		
69		
70		
71		
72		
73		
74		
75		
76		
77		
78		
79		
80		
81		
82		
83		
84		
85		
86		
87		
88		
89		
90		
91		
92		
93		
94		
95		
96		
97		
98		
99		
100		
101		
102		
103		
104		
105		
106		
107		
108		
109		
110		
111		
112		
113		
114		
115		
116		
117		
118		
119		
120		
121		
122		
123		
124		
125		
126		
127		
128		
129		
130		
131		
132		
133		
134		
135		
136		
137		
138		
139		
140		
141		
142		
143		
144		
145		
146		
147		
148		
149		
150		
151		
152		
153		
154		
155		
156		
157		
158		
159		
160		
161		
162		
163		
164		
165		
166		
167		
168		
169		
170		
171		
172		
173		
174		
175		
176		
177		
178		
179		
180		
181		
182		
183		
184		
185		
186		
187		
188		
189		
190		
191		
192		
193		
194		
195		
196		
197		
198		
199		
200		

Basic Connection

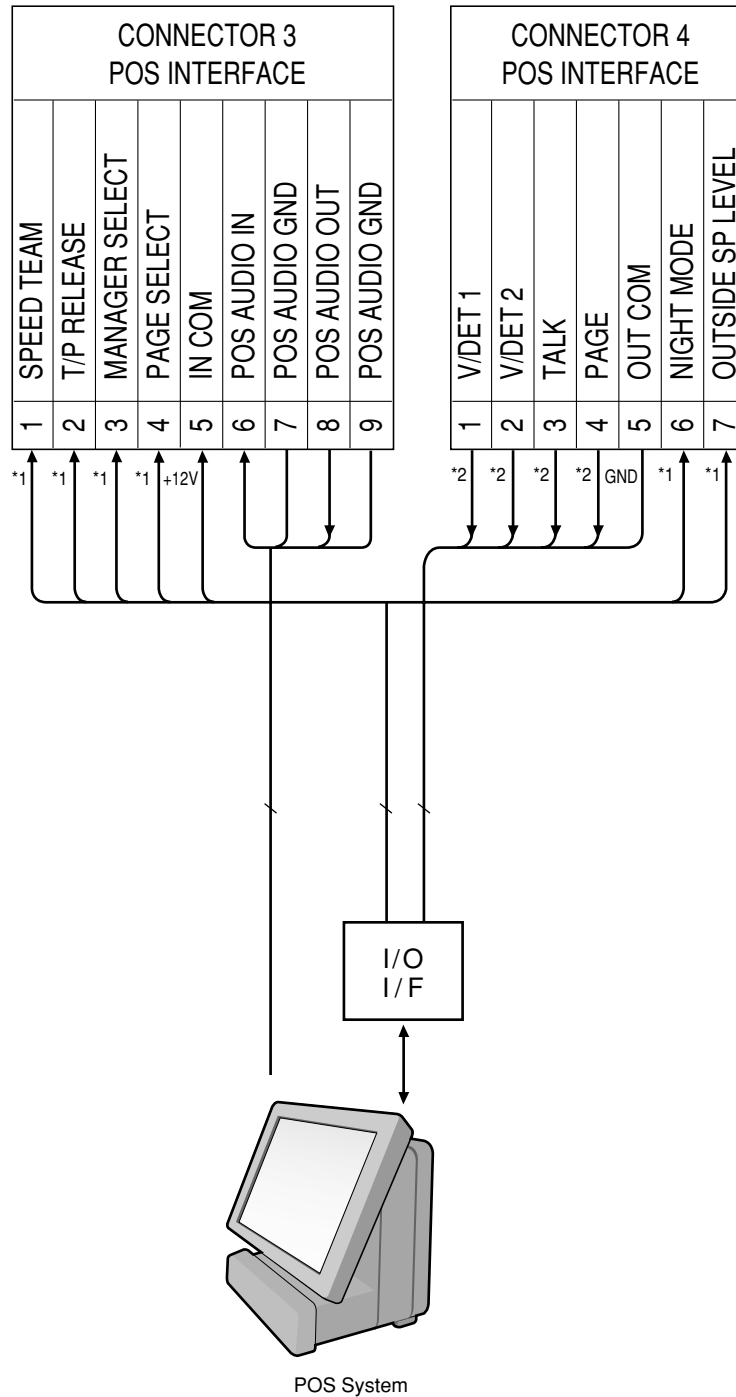
This diagram shows the basic system connection.



*1 OUTPUT: Photocoupler (PS2352L)-isolated, max. 100 mA

■ POS (Point of sales)-System Connection

This diagram shows the connection with the POS system.

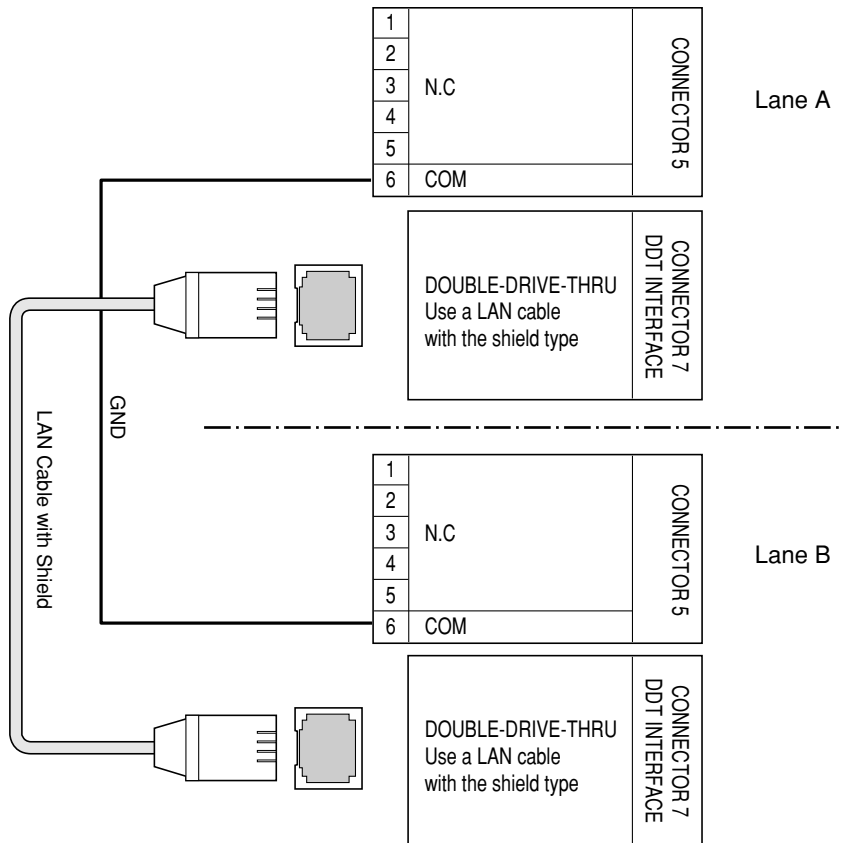


*1 INPUT: Non-voltage make contact

*2 OUTPUT: Photocoupler (PS2501L)-isolated, max. 10 mA

■ Double-Drive-Thru Connection

This diagram shows the connection in the double-drive-thru system.



■ ID registration for follower units

- To talk with the headsets (Order Taker and All-in-One Headset), ID registration is required.
- For ID registration, set the center module in ID registration mode and make operation of ID registration by means of a follower unit.

ID registration procedures are described below based on the All-in-One Headset.

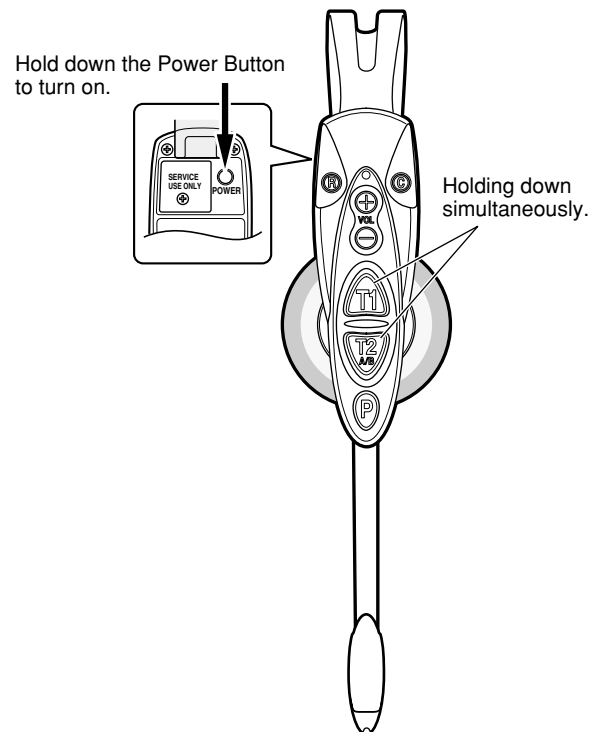
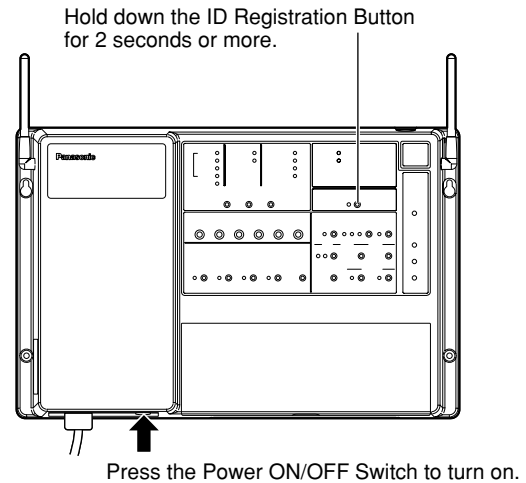
1. Turn on the power of the Center Module.
 2. Press the ID Registration Button of the center module for 2 seconds or more. The system is changed to the ID Registration mode. The ID Registration Indicator blinks.
 3. While holding down the buttons T1 and T2 simultaneously, hold down the power button to turn on All-in-One Headset. The All-in-One Headset enters the ID Registration setting mode where the indicators and buttons have different functions than in normal operation. You will hear "ID Registration Mode" and the power indicator will blink yellow.
 4. Press the T1 button, the All-in-One Headset searches for the center module. You can hear "Connecting center module A" and the lane Indicator will blink yellow.
- * Press the T2 button (at double-drive-thru), for other center modules. You can hear "Connecting center module B" and the lane indicator will blink green.

When the ID Registration succeeds, you will hear "Registration Complete" and the headset number, and the power indicator stops blinking and stays on.

5. When IDs are registered on all All-in-One Headsets, press the ID button of the center module, ID registration mode is completed. The power indicator of the All-in-One Headset will change from yellow to green.

Notes:

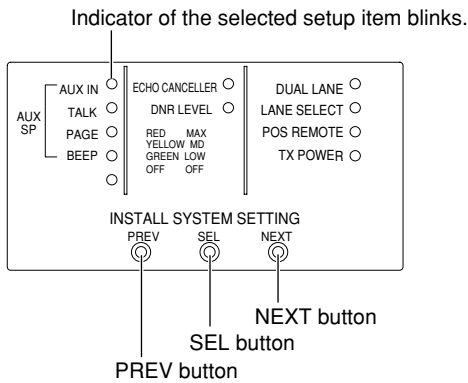
- If ID registration fails, a warning sounds "beep, beep, beep, beep" and then you will hear a voice prompt say "Failed". If registration fails, the ID is not registered and the "POWER" indicator blinks red. If this happens, turn off the power and try registering again.
- All-in-one headset or Order Taker that can register in one center module is up to 32. If you register IDs exceeding 32, the unused ID that has been registered is automatically deleted in chronological order.
- When registering the IDs of two or more All-in-one Headset or Order Taker, register each headset or Order Taker in order.



■ Installed System Setting

After the completion of installation work, system setup shall be made according to the equipment to be connected and the operation mode.

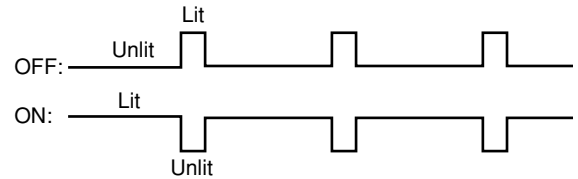
Setup operation for the installed system shall be carried out by the use of the PREV/NEXT button and the SEL button.



1. Turn on the power supply of the center module.
2. Press the [NEXT] button or the [PREV] button.
Indicator of the selected setup item blinks. Each time the [SEL] button is pressed, there is a reciprocal changeover between ON Select and OFF Select status. The ON/OFF status can be defined by the style of indicator blinking.

OFF: Lighting time is short and unlighting time is long.

ON: Lighting time is long and unlighting time is short.



3. When the ON/OFF is changed over, the selected status is reflected on the system in real-time.
4. When the [NEXT] button is pressed, the next setup item is selected. (The setup item being selected is moved by one to the lower position or to the top right.)
When the [PREV] button is pressed, the previous setup item is selected. (The setup item being selected is moved by one to the upper position or to the bottom left.)
5. If any [NEXT], [SEL], or [PREV] button is not pressed for 10 seconds, blinking of the indicator is finished.

● Setup operation for AUX SP (Auxiliary Speaker)

The sound output is set up for the AUX SP.

Setup item	ON (Green)	OFF
AUX SP	AUX IN audio is output to the auxiliary speakers.	No output
TALK	TALK audio is output to the auxiliary speakers. * The sound of Outside Mic is also output to AUX SP.	No output
PAGE	PAGE audio is output to the auxiliary speakers.	No output
BEEP	BEEP audio is output to the auxiliary speakers.	No output

● Setup operation for Echo Canceller (Echo Canceller Effect Level Control)

The effect of Echo Canceller (the amount of echo erase) is set up.

Indicator	Echo Canceller Level	Sound Quality	Remarks
OFF	OFF	–	No Echo Canceller processing
Green	LOW	High	When the effect of echo is small, this position is selected.
Yellow	MID	Normal	
Red	HIGH	Low	When the effect of echo is large, this position is selected. This setting is default. (*1)

*1: If the contents of conversation are difficult to get, set up the echo canceller level to MID.

● Setup operation for DNR Level (Digital Noise Reduction Effect Level Control)

The effect of DNR (Digital Noise Reduction) (the amount of noise reduction) is set up.

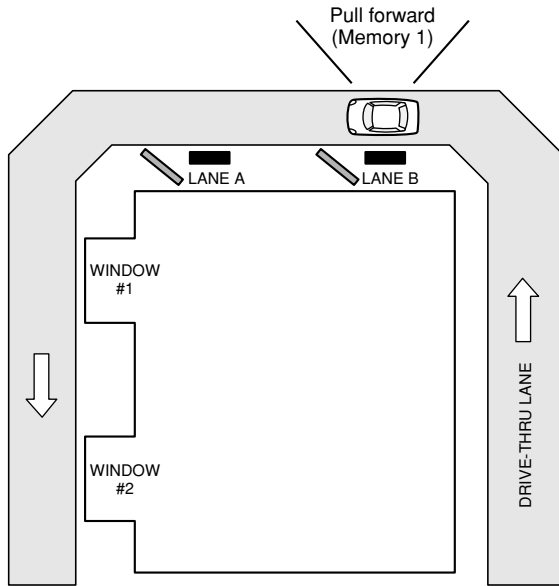
Indicator	Noise Reduction Level	Sound Quality	Remarks
OFF	OFF	–	No DNR processing
Green	LOW	High	For relativity quiet environment.
Yellow	MID	Normal	For a general environment. This setting is default.
Red	HIGH	Low	This feature is useful under very noisy environment. In this setting, one may feel that the sound of conversation is unnatural.

● **Setup operation for Dual Lane**

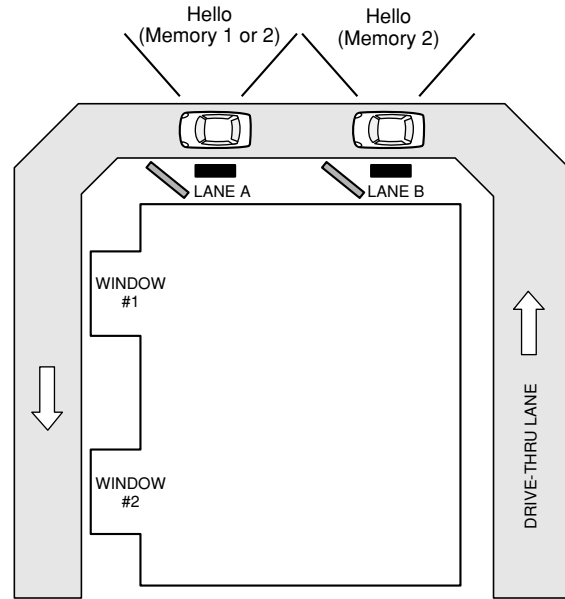
In the case of Dual Lane, two menu boards (Lane A and Lane B) are used. Only for the Center Module of Lane B, the Dual Lane is set at ON.

ON: DUAL LANE ON (Green)

When there is car in only Lane B, the greeter memory 1 output to the speaker of Lane B.

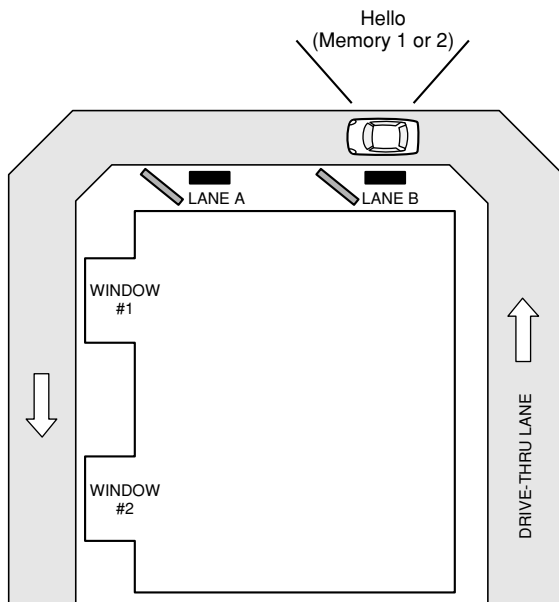


When there are cars in Lane A and B, the greeter memory 2 is output to the speaker of Lane B.

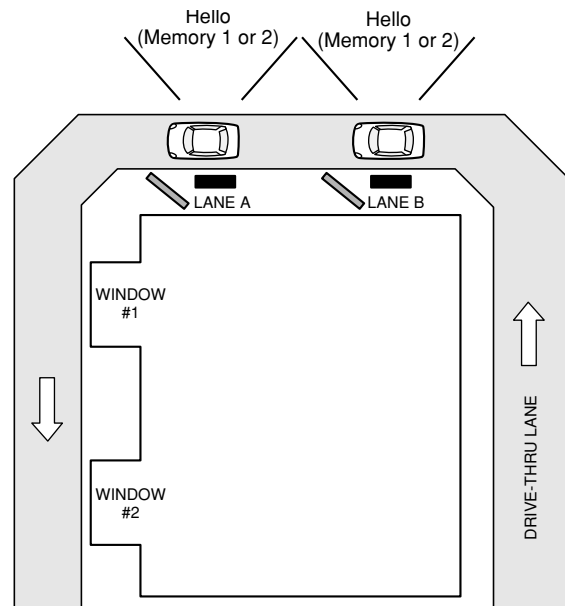


OFF: DUAL LANE OFF

When there is car in only Lane B, the greeter message of the memory (1 or 2) is output to the speaker of Lane B.



When there are cars in Lane A and B, the greeter message of the memory (1 or 2) is output to the speaker of Lane B.



Note: When only one center module is set in the system, DUAL LANE to OFF. If DUAL LANE is set to ON, only Message 1 is output to the menu board speaker.

● Lane setup

In the case of Double-Drive-Thru, one each unit of Center Module is set for Lane A and Lane B, respectively.

Only for the Center Module of Lane B, the Dual Lane is set at ON.

When Lane A or Lane B setup is changed over, the center module will be restarted automatically.

If the [TALK] and [PAGE] indicators begin to blink after restarting, check the connections between both center modules.

Red: Lane A (Generally, this setting is used. This setting is default.)

Green: Lane B

Note: If lane setting is changed, ID registration should be retried.

● POS Remote setup

This setting is made when the POS Remote function is used.

ON (Green): POS Remote Control is enabled. When ON is selected, the following button settings for the Center Module become invalid:

SPEED TEAM

VEHICLE DETECTOR

BEEP DAY/NIGHT

OUTSIDE SP LEVEL DAY/NIGHT

TALK/PAGE RELEASE

● TX Power setup

The transmission power for the center module is set up.

If there is any anxiety of electric wave interference with neighboring shops, set the transmit power to OFF.

ON (Green): Normal Power (Generally, this setting is used. This setting is default.)

OFF: Reduced Power (25%)

■ Info about POS Remote functions

Remote control becomes possible if any external device is connected to the POS Remote terminal of the center module. To use the POS Remote functions, POS Remote setup shall be turned ON. (Refer to page 29.)

Functions (Terminal names)		Usage
V/D OUTPUT	V/DET1	Activated when Vehicle Detector 1 is ON
	V/DET2	Activated when Vehicle Detector 2 is ON.
POS AUDIO STATE OUTPUT	PAGE	Activated when a PAGE sound is provided to POS AUDIO OUT.
	TALK	Activated when a TALK sound is provided to POS AUDIO OUT.
NIGHT MODE INPUT	DAY	Disables the vehicle detector beep on the other lane. (To short-circuit the terminals)
	NIGHT	Reduces the volume of the vehicle detector beep on the other lane. (To open-circuit the terminals)
OUTSIDE SP LEVEL INPUT	DAY	Outside speaker volume is normal level. (To short-circuit the terminals)
	NIGHT	Outside speaker volume is 50 % level. (To open-circuit the terminals)
SPEED TEAM INPUT		With ON setting, Speed Team mode is assumed. (ON with the terminals short-circuited)
TALK LOCK RELEASE INPUT		When turned ON for 1 second, Talk/Page Release control is carried out. (ON with the terminals short-circuited)
POS AUDIO STATE INPUT	MANAGER SELECT	With ON setting, the input sound entered in the POS Audio Input circuit can be heard only with the manager's headset. (ON with the terminals short-circuited)
	PAGE SELECT	With ON setting, the input sound entered in the POS Audio Input circuit can be heard at the headset. (ON with the terminals short-circuited)
POS AUDIO INPUT		The sound input from the POS or an external device is entered. This sound input is changed over by POS Audio State Input control.
POS AUDIO OUT		The sound output is sent to the POS or an external device. The contents of sound output are reported by POS AUDIO State Output.

Troubleshooting

Symptom	Cause/solution	Reference pages
The communication among the Order Takers, menu board and All-in-One Headset cannot be established.	<p>Is the Power ON/OFF Switch on the center module turned on?</p> <ul style="list-style-type: none"> • Check the AC power outlet. • If the problem remains even after trying the above, refer to the dealer or service personnel. 	9, 17
Button operation is impossible at the center module.	<p>If POS Remote is set for ON, part of button operation becomes impossible.</p> <ul style="list-style-type: none"> • Set the POS Remote to OFF. 	18
The Talk or Page indicator blinks and talking cannot be maintained at all.	<ul style="list-style-type: none"> • Turn off the power supply of the center module, and then turn on the power supply again. • If the problem remains even after trying the above, refer to the dealer or service personnel. 	9
Talking is impossible while the Talk or Page indicator is blinking.	<p>Normal operation is not secured for the Double Drive-Thru functions.</p> <ul style="list-style-type: none"> • Confirm whether both center module power supplies are turned ON. Confirm whether correct connections have been made between both center modules. 	9, 24
Cannot communicate with the customer at the menu board (TALK), though the communication among personnel is O.K (PAGE is OK)	<ul style="list-style-type: none"> • Check to see if the VEHICLE DETECTOR indicator of the center module lights up when a vehicle drives up the speaker post or menu board. • If the indicator does not light up, check the following. <ol style="list-style-type: none"> 1. Is the vehicle detector plugged in? 2. Check the AC outlet and fuse of the vehicle detector. If the power and fuse are normal, refer to the qualified service personnel. 	-
A menu board speaker is always live, even when there is no car beside the menu board.	<ul style="list-style-type: none"> • Reset the vehicle detector. If the problem still remains, remove and reinstall the fuse from the detector. (Refer to the operating instructions of the vehicle detector.) • If the problem remains even after trying the above, refer to the dealer or service personnel. 	-
TALK (PTT or Talk Lock) or PAGE (PTT or Page Lock) is unavailable in certain areas.	<ul style="list-style-type: none"> • Confirm that there is no metal obstruction blocking around the center module. 	-

Symptom	Cause/solution	Reference pages
<p>You hear your echo in head-set earpiece when you speak into microphone of headset.</p>	<p>Outside speaker and microphone may not be properly installed.</p> <ul style="list-style-type: none"> • Be sure speaker and microphone are isolated from each other, and tightly mounted with enough foam packed around each of them to absorb vibrations. 	<p>–</p>
<p>You hear annoying noise of vehicles outside.</p>	<p>Outbound and/or inbound audio level may be set too high.</p> <ul style="list-style-type: none"> • Set outbound audio level just high enough to be heard by customers. Lower inbound audio to comfortable level. <p>Note: Lower inbound audio setting may also prevent feedback noise.</p>	<p>–</p>
<p>The TALK indicator and PAGE indicator are blinking after startup, and communication cannot be performed at all.</p>	<p>Echo canceller may be OFF or Effect level may be "LOW".</p> <ul style="list-style-type: none"> • Set echo canceller level properly. <p>Note: Default setting is "MAX"(LED:RED))</p>	<p>27</p>
<p>The TALK indicator and PAGE indicator are blinking after startup, but communication can be performed.</p>	<p>DNR may be OFF or Effect level may be "LOW".</p> <ul style="list-style-type: none"> • Set DNR level properly. <p>Note: Default setting is "MID"(LED:YELLOW))</p>	<p>27</p>
<p>The TALK indicator and PAGE indicator are blinking after startup, and communication cannot be performed at all.</p>	<p>The Center Module may fail to start up.</p> <ul style="list-style-type: none"> • Turn off the power and on the power again. 	<p>9</p>
<p>The TALK indicator and PAGE indicator are blinking after startup, but communication can be performed.</p>	<p>The Double-Drive-Thru function does not work properly. But, the Single Lane operation works well.</p> <ul style="list-style-type: none"> • Check to see whether the power of the other Center Module is set to ON. • Check to see whether the Center Modules are correctly connected. • Check to see whether LANE A and LANE B are selected for the lanes, respectively. 	<p>9, 24</p>

Specifications

Operating frequency (TX/RX):	1 920 MHz-1 930 MHz
Power supply:	120 V AC, 60 Hz
Power consumption:	11 W
Outside speaker:	1.25 W, 8 Ω
AUX speaker:	1.25 W, 8 Ω
Dimensions:	404 mm (W) x 265 mm (H) x 69 mm (D) {15-15/16" (W) x 10-7/16" (H) x 2-3/4" (D)}
Weight:	2.3 kg {5.07 lbs.}
Ambient operating temperature:	-10 °C to +50 °C {14 °F to 122 °F}

Dimensions and weights indicated are approximate.
Specifications are subject to change without notice.

Standard accessories

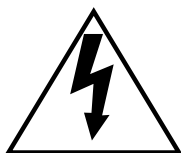
Operating Instructions (this manual)	1 pc.
AC cable	1 pc.
AC cable holder	1 pc.
Miniature screw driver	1 pc.
AC cable clasper	1 pc.

VERSION FRANÇAISE

(FRENCH VERSION)

NMB-003

Cet appareil numérique de la classe A est conforme à la norme NMB-003 du Canada.



L'éclair à extrémité fléchée placé dans un triangle équilatéral est destiné à attirer l'attention de l'utilisateur sur la présence d'une "tension potentiellement dangereuse" et non isolée se trouvant dans les limites du coffret de l'appareil dont la puissance est suffisante pour constituer un risque important d'électrocution.



Le point d'exclamation placé dans un triangle équilatéral sert à attirer l'attention de l'utilisateur sur des instructions de fonctionnement et d'entretien (de dépannage) à caractère important dans la brochure qui accompagne l'appareil.

AVERTISSEMENT:

- Cet appareil doit être mis à la terre.
- Le périphérique doit être connecté à une prise de sortie secteur munie d'une connexion de mise à la terre de sécurité.
- La prise de sortie secteur ou l'adaptateur d'alimentation du périphérique doit toujours être prêt à être utilisé.
- Ne jamais exposer cet appareil à la pluie ni le laisser dans un lieu humide sous peine de créer un amorçage électrique ou une électrocution.
- L'appareil ne devrait pas être exposé à des éclaboussures ou des projections d'eau et aucun récipient rempli de liquide tels que des vases ne devraient être posés sur l'appareil.
- Tous les travaux d'installation de ce produit devraient être confiés à des techniciens et dépanneurs professionnels ou des installateurs de système.
- Pour éviter tout accident corporel, cet appareil doit être solidement fixé au sol/au mur conformément aux directives d'installation.
- Les connexions doivent être conformes au code électrique local.
- Le risque d'affaiblissement du système auditif dû à une exposition à des niveaux sonores excessifs peut être limité par une écoute à des volumes inférieurs et de plus courtes durées.

RSS-213

L'utilisation de ce dispositif est autorisée seulement aux deux conditions suivantes : (1) il ne doit pas produire de brouillage, et (2) l'utilisateur du dispositif doit être prêt à accepter tout brouillage radioélectrique reçu, même si ce brouillage est susceptible de compromettre le fonctionnement du dispositif.

ATTENTION:

- Risque d'explosion si la batterie n'est pas placée correctement. Remplacer uniquement avec le même type ou un type équivalent.
- Ces instructions de dépannage sont uniquement destinées au personnel technique professionnel. Afin de limiter tout risque d'électrocution, ne jamais exécuter de dépannage autre que celui spécifié dans la notice d'instructions à moins que vous possédiez des qualifications pour le faire.

Le numéro de modèle et le numéro de série de ce produit se trouvent sur la surface de l'appareil.

Nous vous conseillons de relever le numéro de série de votre appareil dans l'espace réservé ci-dessous et de conserver précieusement votre notice d'instructions en tant que justificatif d'achat aux fins d'identification en cas de vol.

No. de modèle _____

No. de série _____

Limitation de responsabilité

CETTE PUBLICATION EST FOURNIE "COMME TEL" SANS GARANTIE DE TOUTE SORTE, EXPRÈS OU IMPLICITE, ÉTANT INCLUSE MAIS NON LIMITÉE AUX GARANTIES IMPLICITES DE LA VALEUR MARCHANDE, ADAPTATION POUR TOUT BUT PARTICULIER OU NON-INFRACTION DES DROITS D'UN TIERS.

Déni de la garantie

EN AUCUN CAS MATSUSHITA ELECTRIC INDUSTRIAL CO., LTD. NE SERA TENU POUR RESPONSABLE POUR TOUTE PARTIE OU TOUTE PERSONNE, À L'EXCEPTION DU REMPLACEMENT OU D'UNE MAINTENANCE RAISONNABLE DE CE PRODUIT POUR LES CAS CITÉS, INCLUS MAIS NON LIMITÉS À CE QUI SUIT:

- (1) TOUT DÉGÂT ET PERTE, Y COMPRIS SANS LIMITATION, DIRECT OU INDIRECT, SPÉCIAL, IMPORTANT OU EXEMPLAIRE, SURVENANT OU CONCERNANT LE PRODUIT;
- (2) BLESSURE PERSONNELLE OU TOUT DÉGÂT CAUSÉS PAR UN USAGE NON APPROPRIÉ OU UNE UTILISATION NÉGLIGENTE DE L'UTILISATEUR;
- (3) DÉMONTAGE, RÉPARATION OU MODIFICATION NON AUTORISÉS DU PRODUIT EFFECTUÉS PAR L'UTILISATEUR;
- (4) TOUT PROBLÈME, INCOMMODITÉ IMPORTANTE OU PERTE OU ENDOMMAGEMENT, SURVENANT DU SYSTÈME COMBINÉ PAR LES APPAREILS DE TIERS;
- (5) DES BLESSURES PERSONNELLES, TOUTE PERTE OU DÉGÂTS, PROVENANT D'UNE CHUTE PROVOQUÉE PAR UNE INSTALLATION INACHEVÉE.

Instructions de sécurité importantes

- 1) Veiller à lire ces instructions.
- 2) Conserver ces instructions.
- 3) Tenir compte de tous les avertissements.
- 4) Se conformer à toutes les instructions.
- 5) Ne pas utiliser cet appareil près de lieux en présence d'eau.
- 6) Nettoyer uniquement avec un chiffon sec.
- 7) N'obturer aucune des ouvertures d'aération. Installer conformément aux instructions du fabricant.
- 8) Ne pas utiliser à proximité de sources de chaleur telles que des radiateurs, des bouches de chauffage, des appareils de chauffage ou tout autre appareil (y compris les amplificateurs) produisant de la chaleur.
- 9) Ne pas asservir l'objectif de sécurité de la prise polarisée ou de la prise de mise à la terre. Une prise polarisée possède deux lames dont l'une est plus large que l'autre. Une prise de mise à la terre possède deux lames ainsi qu'un troisième élément, un ergot de mise à la terre. La lame qui est large ou le troisième élément, l'ergot, sont installés pour assurer votre sécurité. Si la prise fournie ne s'engage pas correctement dans votre prise, veuillez consulter un électricien pour qu'il effectue le remplacement de l'ancienne prise de sortie secteur.
- 10) Protéger le cordon d'alimentation afin que personne ne puisse marcher dessus ni ne soit pincé, notamment près des prises, les prises pratiques et les points de sortie de l'appareil.
- 11) Utiliser uniquement les fixations ou les accessoires spécifiés par le fabricant.
- 12) Utiliser uniquement le chariot, le support, le trépied, la platine de fixation ou la tablette spécifiée par le fabricant ou vendu avec l'appareil. Quand un chariot est utilisé, prendre toutes les précautions nécessaires lors du déplacement de la combinaison chariot-appareil afin que le tout ne se renverse pas.



- 13) Débrancher cet appareil pendant les orages électriques ou s'il n'est pas utilisé sur de longues périodes de temps.
- 14) Toute réparation ou dépannage doit être confié à un personnel qualifié. Un dépannage est nécessaire lorsque l'appareil a été endommagé d'une manière quelconque, par exemple, lorsque le cordon d'alimentation électrique ou la prise ont été endommagés, quand du liquide s'est répandu dessus ou si des objets sont tombés dans l'appareil, lorsque l'appareil a été exposé à la pluie ou à l'humidité, ne fonctionne pas normalement ou s'il a fait une chute.

CONTENTS

Limitation de responsabilité	36
Déni de la garantie	36
Instructions de sécurité importantes	37
Préface	39
Caractéristiques dominantes	39
Mesures de précaution	40
Opérations	41
Principaux organes de commande et leurs fonctions	41
■ Module central WX-C3010	41
Modes d'utilisation	44
■ Exécution de base	44
● Mise sous tension	44
● Communications avec les clients (TALK)	44
● Communication avec d'autres membres du personnel du magasin (PAGE)	44
● Commutation de système double de service clientèle de passage	44
● Mise hors tension	44
■ Fonctions commodes	44
● Verrouillage automatique pour parler	44
● Mode de gérant	44
● Équipe rapide	44
● Personne d'accueil	45
● Détecteur de véhicule BEEP DAY/NIGHT	46
● Niveau de haut-parleur extérieur DAY/NIGHT	46
● Activation de détecteur de véhicule normal/asservi	47
● Libération Parler/Page	47
Installation et Connexions	48
Éléments et accessoires de système des séries WX-CC3010 Panasonic	48
Principaux organes de commande et fonctions	49
Installations/Connexions	51
■ Procédures d'installation	51
■ Préparatifs	51
■ Installation des modules centraux sur le mur	51
■ Câblage aux modules centraux	52
■ Attache de la prise d'alimentation et du cordon d'alimentation secteur	53
■ Connexions de base	54
■ POS (Points de ventes)-Connexion de système	55
■ Connexion de système double de service clientèle de passage (Double-Drive-Thru)	56
■ Enregistrement d'identification pour les appareils suivants	57
■ Paramétrage de système installé	58
● Opération de configuration pour SP AUX. (haut-parleur auxiliaire)	58
● Opération de configuration de l'éliminateur d'écho (ctrlôle de niveau d'effet d'éliminateur d'écho)	59
● Opération de configuration de niveau DNR (ctrlôle de niveau d'effet de réduction de bruit numérique)	59
● Opération de configuration de double passage	60
● Configuration de passage	61
● Configuration de commande à distance POS	61
● Configuration d'alimentation TX	61
■ Information au sujet des fonctions de commande à distance POS	62
Maintenance et caractéristiques techniques	63
Dépannage.....	63
Caractéristiques techniques	65
Accessoires standard	66

Préface

Le module central WX-C3010 est exclusivement conçu pour être utilisé avec les systèmes de communication à liaison radio Panasonic dont on se sert dans les tableaux de menu de service clientèle de passage, etc. Le système fonctionne sur 1,9 Ghz DECT.

Caractéristiques dominantes

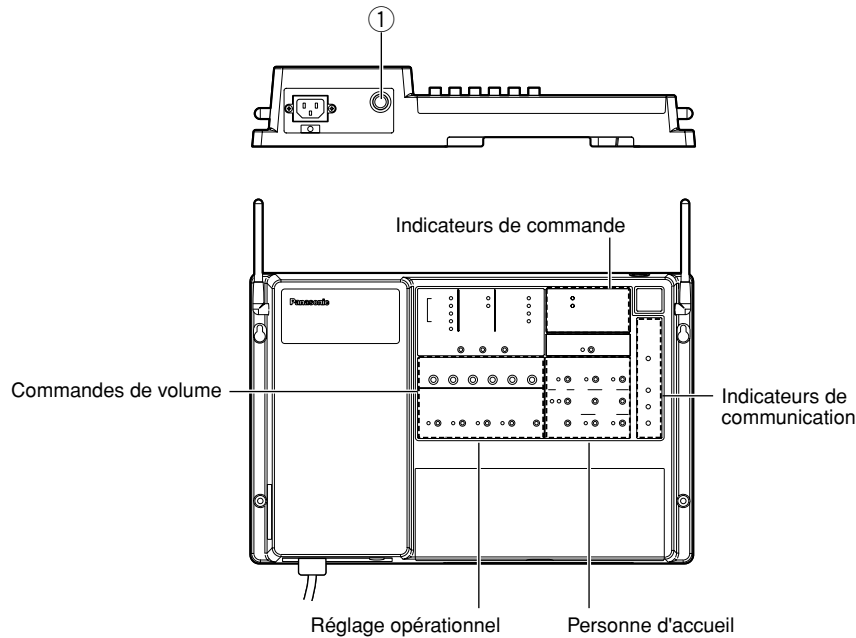
- 1,9 GHz DECT* est employé avec le preneur de commande afin d'empêcher toute interférence de se produire par les fours à micro-ondes ou d'un réseau local sans fil utilisé avec 2,4 GHz DECT.
Communication duplex intégral simultané à quatre canaux (TALK et PAGE) en utilisant la technologie DECT facilitant le déroulement des opérations dans un système double de service clientèle de passage et la technologie numérique permettant des communications simultanées. La technologie DECT peut être utilisée même dans les emplacements où le câblage est difficile.
*Télécommunications sans fil améliorées par numérique
- Réduction de bruit numérique (DNR)
La fonction DNR, traitée dans le processeur de signal numérique (DSP), atténue le bruit afin d'améliorer la qualité du son.
- L'éliminateur d'écho acoustique élimine l'écho acoustique au niveau du tableau de menu.
- Personne d'accueil
Quand un client approche du tableau de menu, le message* enregistré dans le module central est automatiquement délivré par le haut-parleur du tableau de menu.
* Un nombre maximum de deux messages peuvent être enregistrés.
- Communication simultanée sur quatre canaux
Le nombre total de combinés microcasque d'écoute tout intégré et de preneurs de commande qui peuvent être enregistrés est de 32. Jusqu'à quatre opérateurs peuvent communiquer en même temps en utilisant les combinés microcasque d'écoute tout intégré et les preneurs de commande.
- Mode de gérant
Il est possible de régler le mode de gérant sur un des combinés microcasque d'écoute tout intégré ou preneurs de commande enregistrés. Une personne se servant de ce combiné microcasque d'écoute ou du preneur de commande a la priorité de communication.

Mesures de précaution

- Manipuler ce produit sans brutalités. Ce produit renferme des composants extrêmement sensibles qui risquent d'être endommagés à la suite d'une manipulation ou d'un rangement inapproprié.
- Réparer ou remplacer tous les composants défectueux.
- Ce produit est essentiellement conçu pour un usage sous abri.
- Ce produit ne doit pas être exposé directement au soleil pendant des heures et ne doit pas être installé près d'un appareil de chauffage ou d'un système d'air conditionné. Sinon, il risque d'être déformé, de subir une décoloration voire tomber en panne. Maintenir l'unité éloignée de l'eau.
- Éviter toute installation dans les emplacements suivants.
 - Emplacements où un agent chimique est utilisé comme dans le cas d'une piscine
 - Emplacements sous un climatiseur
 - Emplacements proches de la friteuse
 - Emplacements proches d'un grill
 - Emplacements dans un environnement humide ou chargé de poussières
 - Emplacements près du gaz ou d'une vapeur inflammable
 - Emplacements où des émissions de rayonnement ou de rayon X sont produites
 - Emplacements exposés à de puissants champs magnétiques ou ondes radio
 - Emplacements où du gaz corrosif est produit
 - Emplacements où il peut être endommagé par de l'air saumâtre tel qu'en bord de mer
 - Emplacements sujet aux vibrations (ce produit n'est pas conçu pour un usage en véhicule.)
- Faire en sorte de retirer ce produit s'il est n'est pas utilisé.
- Éviter de faire les connexions pendant un orage. Dans le cas contraire, il y a un risque d'électrocution.

Principaux organes de commande et leurs fonctions

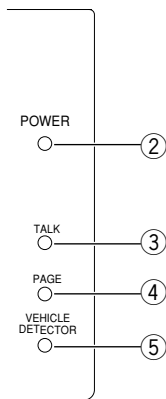
■ Module central WX-C3010



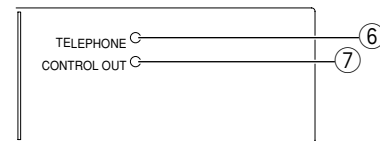
- ① **Interrupteur d'alimentation marche-arrêt**
Ce commutateur coupe l'alimentation du module central et la rétablit.

[Indicateurs de communication]

- ② **Lampe témoin d'alimentation (Verte) (POWER)**
Ceci indique que l'alimentation du module central est appliquée.
- ③ **Parler/Microphone col de cygne/ Indicateur (jaune) (TALK)**
Ceci s'allume pendant une conversation avec des clients.
- ④ **Lampe témoin Page (Verte) (PAGE)**
Ceci s'allume pendant une conversation avec des éléments du personnel du magasin.
- ⑤ **Indicateur de détecteur de véhicule (jaune) (VEHICLE DETECTOR)**
Ceci s'allume quand un véhicule est détecté par le détecteur de véhicule. L'indicateur clignote tandis que le mode d'équipe rapide est en activité.

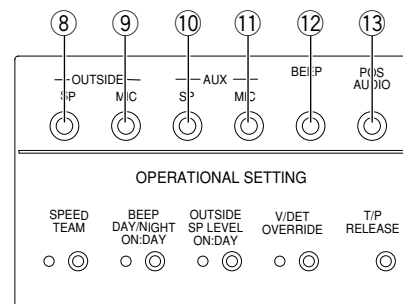


[Indicateurs de commande]



- ⑥ **Indicateur de téléphone (vert) (TELEPHONE)**
N'est pas utilisé.
- ⑦ **Indicateur de sortie de commande (vert) (CONTROL OUT)**
Cet indicateur s'allume pendant qu'une commande externe a lieu.

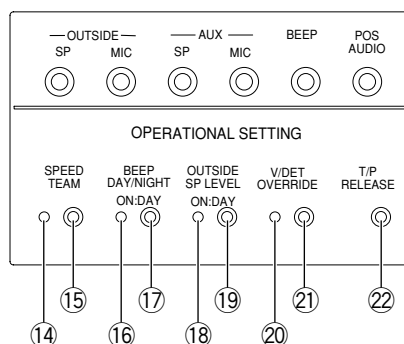
[Commandes de volume]



- ⑧ **Volume de haut-parleur extérieur (OUTSIDE, SP)**
Cette commande ajuste le niveau de sortie du haut-parleur extérieur.
- ⑨ **Volume de microphone extérieur (OUTSIDE, MIC)**
Cette commande ajuste le niveau d'entrée du microphone extérieur.

- ⑩ **Volume de haut-parleur auxiliaire (AUX, SP)**
Cette commande ajuste le niveau de sortie du haut-parleur auxiliaire.
- ⑪ **Volume de microphone auxiliaire (AUX, MIC)**
Cette commande ajuste le niveau d'entrée du microphone en col de cygne.
- ⑫ **Puissance de volume de bip de détecteur de véhicule (BEEP)**
Cette commande ajuste la tonalité du bip de détection de véhicule du preneur de commande ou du combiné microcasque d'écoute tout intégré.
- ⑬ **Volume sonore POS (POS AUDIO)**
Cette commande ajuste le niveau d'entrée du son POS.

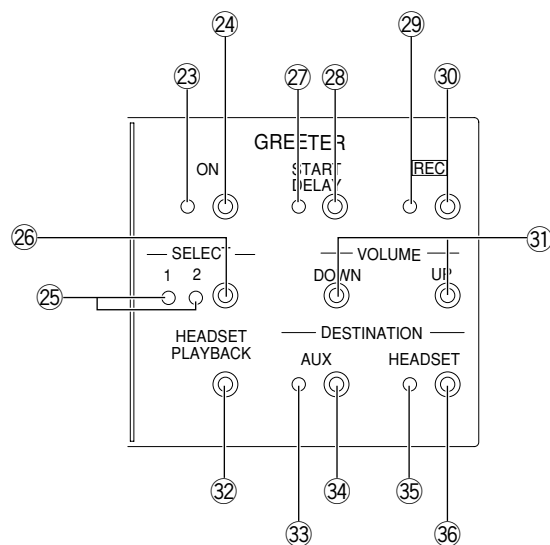
[Paramétrage opérationnel]



- ⑭ **Indicateur d'équipe rapide (jaune) (SPEED TEAM)**
Ceci indique que le mode d'équipe rapide est appliqué.
- ⑮ **Bouton "Marche/Arrêt" d'équipe rapide**
Ce bouton active ou désactive le mode d'équipe rapide.
- ⑯ **Indicateur diurne/nocturne de bip de détecteur de véhicule (jaune) (BEEP DAY/NIGHT ON:DAY)**
Ceci indique que le bip de détecteur de véhicule a sélectionné DAY.
- ⑰ **Bouton diurne/nocturne de bip de détecteur de véhicule**
Ce bouton active le bip de détecteur de véhicule DAY et NIGHT.
Mode diurne: Invalide le bip de détecteur de véhicule sur l'autre passage.
Mode nocturne: Invalide le volume de bip de détecteur de véhicule sur l'autre passage.
- ⑱ **Indicateur de niveau de haut-parleur externe (jaune) (OUTSIDE SP LEVEL ON:DAY)**
Ceci indique que le niveau de haut-parleur extérieur a sélectionné le niveau normal.
- ⑲ **Bouton DIURNE/NOCTURNE de niveau de haut-parleur extérieur**
Ce bouton ajuste sur le niveau normal de niveau de haut-parleur extérieur et le niveau 50%.
- ⑳ **Indicateur d'activation de détecteur de véhicule normal/asservi (jaune) (V/DET OVERRIDE)**
Ceci indique que le détecteur de véhicule a sélectionné l'activation asservie.

- ㉑ **Bouton d'activation de détecteur de véhicule normal/asservi**
Ce bouton active le mode normal de détecteur de véhicule et l'activation asservie.
NORMAL: Le détecteur de véhicule se met en fonction uniquement lorsqu'un véhicule est détecté au niveau du tableau de menu.
OVERRIDE ON: Le détecteur de véhicule est toujours en fonction.
- ㉒ **Bouton de libération Parler/Page (T/P RELEASE)**
Ce bouton est utilisé pour libérer temporairement la communication Parler/Page du preneur de commande ou du combiné microcasque d'écoute tout intégré

[Personne d'accueil]



- ㉓ **Indicateur d'activation ou désactivation d'équipe rapide (jaune) (GREETER, ON)**
Ceci indique que la fonction de personne d'accueil a sélectionné l'activation.
- ㉔ **Bouton d'activation ou désactivation de personne d'accueil (GREETER, ON)**
Ce bouton active et désactive la fonction de personne d'accueil.
- ㉕ **Sélection de mémoire de personne d'accueil et indicateur de niveau de sortie (vert/jaune/rouge) (SELECT)**
Ceci indique que la mémoire de personne d'accueil a été sélectionnée. Chaque mémoire a la capacité d'enregistrer un message pendant 16 secondes au maximum.
1: Ceci indique que la mémoire de personne d'accueil a été sélectionnée 1. (Le message de "Please pull forward" est un réglage par défaut d'usine)
2: Ceci indique que la mémoire de personne d'accueil a été sélectionnée 2.
Éteint: La fonction personne d'accueil est désactivée.
Vert: Quand le niveau de sortie de personne d'accueil est réglé en niveau LOW, l'indicateur s'allume en vert.
Jaune: Quand le niveau de sortie de personne d'accueil est réglé en niveau MID, l'indicateur s'allume en jaune.
Rouge: Quand le niveau de sortie de personne d'accueil est réglé en niveau HIGH, l'indicateur s'allume en rouge.

- ②6 **Bouton de sélection de mémoire de personne d'accueil (SELECT)**
Ce bouton sélectionne l'une ou l'autre des mémoires de personne d'accueil.
- ②7 **Indicateur de temporisation de démarrage de personne d'accueil (jaune) (START DELAY)**
Ceci indique que la fonction de temporisation de démarrage de personne d'accueil a sélectionné l'activation.
- ②8 **Bouton de temporisation de démarrage de personne d'accueil (START DELAY)**
Ce bouton active la fonction de temporisation normale de personne d'accueil et la retarde.
- ②9 **Indicateur d'enregistrement de personne d'accueil (rouge) (REC)**
Ceci indique un enregistrement en cours dans la mémoire de personne d'accueil sélectionnée (1 ou 2).
- ③0 **Bouton d'enregistrement de personne d'accueil (REC)**
Quand ce bouton est pressé, le message du preneur de commande ou du combiné microcasque d'écoute tout intégré est enregistré dans la mémoire de personne d'accueil sélectionnée (1 ou 2).
- ③1 **Boutons de réduction/accroissement de niveau de sortie de personne d'accueil (VOLUME, UP/DOWN)**
Ces boutons permettent de relever ou de réduire le niveau de sortie de la personne d'accueil. Selon les commandes effectuées sur les boutons, l'indicateur SELECT change l'indication.
- ③2 **Bouton de lecture de personne d'accueil (HEADSET PLAYBACK)**
Quand ce bouton est pressé, le preneur de commande ou le combiné microcasque d'écoute tout intégré joue le message à partir de la mémoire de personne d'accueil sélectionnée.
- ③3 **Indicateur de haut-parleur auxiliaire de sortie de personne d'accueil (vert) (DESTINATION, AUX)**
Cet indicateur s'allume quand la sortie du message de la personne d'accueil est assurée par le haut-parleur auxiliaire.
- ③4 **Bouton de haut-parleur auxiliaire de sortie de personne d'accueil (DESTINATION, AUX)**
Ce bouton sélectionne la sortie de personne d'accueil pour activation ou désactivation du haut-parleur auxiliaire.
- ③5 **Indicateur de combiné microcasque d'écoute de sortie de personne d'accueil (vert) (DESTINATION, HEADSET)**
Ceci indique que la sortie de personne d'accueil vers le combiné microcasque d'écoute est en activation.
- ③6 **Bouton de combiné microcasque d'écoute de sortie de personne d'accueil (DESTINATION, HEADSET)**
Ce bouton sélectionne la sortie de personne d'accueil pour activation ou désactivation du combiné microcasque d'écoute.

■ Exécution de base

● Mise sous tension

Appuyer sur le commutateur "marche-arrêt" d'alimentation du module central pour exécuter la mise sous tension.

Cela prend environ 5 secondes pour que l'alimentation soit appliquée.

Ensuite, appuyer sur les boutons d'alimentation du preneur de commande et du combiné microcasque d'écoute tout intégré pour appliquer leurs alimentations.

● Communications avec les clients (TALK)

Tout membre du personnel du magasin portant un combiné microcasque d'écoute peut communiquer en mode bidirectionnel avec n'importe quel client qui se trouve à la hauteur du tableau de menu.

En ce qui concerne la méthode pour parler, se référer à la notice d'instructions du preneur de commande (WX-T3020) ou du combiné microcasque d'écoute tout intégré (WX-H3050).

● Communication avec d'autres membres du personnel du magasin (PAGE)

Tous les membres du personnel portant un combiné microcasque d'écoute peuvent communiquer entre eux sans être entendu par les clients.

En ce qui concerne la méthode d'appel, se référer à la notice d'instructions du preneur de commande (WX-T3020) ou du combiné microcasque d'écoute tout intégré (WX-H3050).

● Commutation de système double de service clientèle de passage

Dans le cas d'un système double de service clientèle de passage, il est possible de parler ou d'appeler en sélectionnant le passage A ou le passage B.

En ce qui concerne la méthode de commande de commutation de passage, se référer à la notice d'instructions du preneur de commande (WX-T3020) ou du combiné microcasque d'écoute tout intégré (WX-H3050).

● Mise hors tension

Pour couper l'alimentation, continuer à appuyer sur le bouton d'alimentation du preneur de commande ou du combiné microcasque d'écoute tout intégré pendant plus de 2 secondes.

Appuyer enfin sur le commutateur "marche-arrêt" d'alimentation du module central pour exécuter la mise hors tension.

■ Fonctions commodes

● Verrouillage automatique pour parler

Quand un client s'approche du tableau de menu, il est automatiquement possible de permettre au combiné microcasque d'écoute du personnel prédéterminé (preneur de commande ou combiné microcasque d'écoute tout intégré) de rester en état TALK. (En supposant que le mode de verrouillage pour parler est activé.)

En ce qui concerne la méthode de configuration de mode de verrouillage automatique pour parler, se référer à la notice d'instructions du preneur de commande (WX-T3020) ou du combiné microcasque d'écoute tout intégré (WX-H3050).

● Mode de gérant

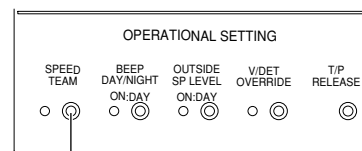
Il est possible de configurer un combiné microcasque d'écoute (preneur de commande ou combiné microcasque d'écoute tout intégré) en mode de gérant sur le passage. Se référer à la notice d'instructions du preneur de commande ou du combiné microcasque d'écoute tout intégré à propos de la méthode de réglage. Le combiné microcasque d'écoute réglé en mode de gérant MANAGER a la fonctionnalité suivante.

- Le gérant peut interrompre le mode TALK ou PAGE de tout membre du personnel à tout moment en monopolisant un canal par priorité.
- Le gérant entend le son de POS seulement (paramétrage nécessaire)

● Équipe rapide

Cette opération SPEED TEAM est utilisée en période d'encombrement. Ne pas utiliser le microphone et le haut-parleur extérieurs. Un preneur de commande ou un combiné microcasque d'écoute tout intégré communique la commande de l'extérieur au magasin.

1. Appuyer sur le bouton SPEED TEAM du module central.



Bouton "Marche/Arrêt" d'équipe rapide

2. Le preneur de commande ou le combiné microcasque d'écoute tout intégré permet à l'opérateur d'entendre l'incitation vocale de "SPEED TEAM ON".
3. Le preneur de commande ou le combiné microcasque d'écoute tout intégré permet à l'opérateur de communiquer en appuyant sur le bouton PAGE.
4. Appuyer sur le bouton PAGE pour que la communication puisse être exécutée en mode PAGE-LOCK. (Même si le bouton PAGE est réglé sur PTP, il fonctionne par PAGE-LOCK.)

- Appuyer encore une fois sur le bouton SPEED TEAM du module central pour que le mode SPEED TEAM soit libéré. Le preneur de commande ou le combiné microcasque d'écoute tout intégré permet à l'opérateur d'entendre l'incitation vocale de "SPEED TEAM OFF".

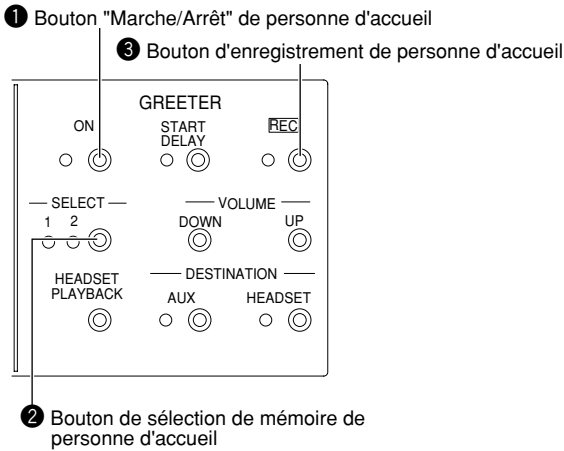
Remarques:

- TALK est interdit en mode d'équipe rapide.
- Si une tentative d'utilisation de TALK est faite avec le preneur de commande ou le combiné microcasque d'écoute tout intégré, une incitation vocale "Operation not allowed" est entendue par le haut-parleur du combiné microcasque d'écoute.
- Si POS à distance est paramétré pour ON, noter qu'aucune commande du bouton de l'équipe rapide n'est possible au niveau du module central.

● Personne d'accueil

Quand un client approche du tableau de menu, le message vocal enregistré dans le module central est automatiquement délivré par le haut-parleur extérieur. Le module central a deux mémoires et il est possible de sélectionner l'un ou l'autre message.

[Méthode pour enregistrer le message]



4 Bouton PAGE du preneur de commande ou du combiné microcasque d'écoute tout intégré

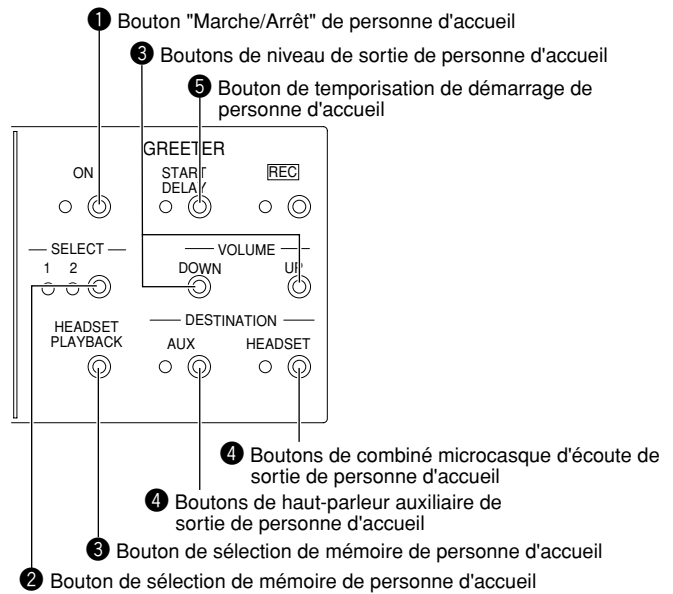
- Appuyer sur le bouton "marche-arrêt" de personne d'accueil du module central. L'indicateur "marche-arrêt" de personne d'accueil s'allumera en jaune.
- Appuyer sur le bouton de sélection de mémoire de personne d'accueil du module central et sélectionner la mémoire 1 ou 2.
- Appuyer sur le bouton d'enregistrement de personne d'accueil du module central. L'indicateur d'enregistrement de personne d'accueil s'allumera en rouge.
- Maintenir le bouton PAGE enfoncé pendant le paramétrage de PTP. Appuyer sur le bouton PAGE lors du paramétrage de PAGE LOCK. Un message peut être enregistré pendant 48 secondes au maximum.

- Relâcher le bouton PAGE pendant le paramétrage de PTP. Appuyer encore une fois sur le bouton PAGE lors du paramétrage de PAGE LOCK. Quand l'enregistrement est terminé, un de chacun des messages enregistrés est tout de suite reproduit ensuite.

Remarques:

- Au moment de l'envoi de l'appareil à partir de l'usine, un message "Please pull forward" est enregistré dans Message 1. Si n'importe quel enregistrement est exécuté sur Message 1, le message d'origine subira une réécriture par le nouveau message.
- Aucun enregistrement n'est possible pendant la reproduction de personne d'accueil.
- À noter que le son de conversation est également enregistré si une tentative de commande TALK est faite pendant l'enregistrement.

[Réglage de sortie de personne d'accueil]



- Appuyer sur le bouton "marche-arrêt" de personne d'accueil du module central. L'indicateur "marche-arrêt" de personne d'accueil s'allumera en jaune.
- Appuyer sur le bouton de sélection de mémoire de personne d'accueil du module central et sélectionner la mémoire 1 ou 2.
- Appuyer sur le bouton de lecture de personne d'accueil du module central et ajuster le niveau de sortie du message sur le niveau optimum à l'aide des boutons d'accroissement ou de réduction DOWN/UP de niveau de sortie de personne d'accueil.
- Configurer la destination de sortie du message.
 - Sortie par le haut-parleur auxiliaire
Appuyer sur le bouton de haut-parleur d'auxiliaire de sortie de personne d'accueil du module central. L'indicateur de haut-parleur auxiliaire de sortie de personne d'accueil s'allume en vert.
 - Sortie au combiné microcasque d'écoute
Appuyer sur le bouton de combiné microcasque d'écoute de sortie de personne d'accueil du module central. L'indicateur de combiné microcasque d'écoute de sortie de personne d'accueil s'allume en vert.

5. Quand une temporisation est nécessaire pour le message

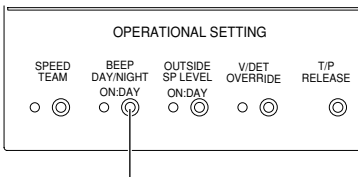
Quand le client s'approche du tableau de menu, le message est délivré après un délai de 2 secondes. Appuyer sur le bouton de temporisation de démarrage de personne d'accueil du module central. L'indicateur de délai de démarrage de personne d'accueil s'allumera en jaune.

● Détecteur de véhicule BEEP DAY/NIGHT

Dans le cas d'une configuration en système double de service clientèle de passage, il est possible de sélectionner la tonalité de bip de détecteur de véhicule pour être entendu quand un client s'approche du tableau de menu.

La configuration diurne-nocturne peut être faite en actionnant le bouton implanté sur panneau frontal de cet appareil.

Quand le mode Diurne est paramétré, l'indicateur de Diurne-nocturne de bip du module central s'allumera en jaune. Quand le bouton Diurne-nocturne de bip est pressé, le mode Nocturne est assumé et cet indicateur disparaîtra.



Bouton DAY/NIGHT de bip de détecteur de véhicule

Remarque:

- Si POS à distance est paramétré pour ON, noter qu'aucune commande du bouton Diurne-nocturne de bip n'est possible au niveau du module central.

Mode DAY: Quand on prend en charge le passage A, si le détecteur de véhicule est sur le passage A, on entend le bip A. Si le détecteur de véhicule est activé sur le passage B, on n'entend pas le bip B.

Mode NIGHT: Quand on prend en charge le passage A, si le détecteur de véhicule est sur le passage A, on entendra le bip A. Si le détecteur de véhicule est activé sur le passage B, on entendra le bip B à faible niveau. Quand les deux détecteurs de véhicule sont allumés, on entendra alternativement le bip A et le bip B à niveau inférieur.

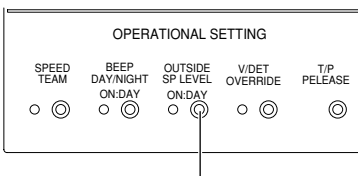
DAY/NIGHT	Détecteur de véhicule		Preneur de commande ou combiné microcasque d'écoute tout intégré	
	Le passage A est activé	Le passage A est activé	A	B
DAY	○	-	Bip A	-
	-	○	-	Bip B
	○	○	Bip A	Bip B
NIGHT	○	-	Bip A	Bip à bas niveau A
	-	○	Bip à bas niveau B	Bip B
	○	○	Bip A + Bip à bas niveau B (*1)	Bip B + Bip à bas niveau A (*2)

*1: Dès que le bouton T1 est pressé, la tonalité du bip changera en tonalité de bip B à bas niveau uniquement.

*2: Dès que le bouton T1 est pressé, la tonalité du bip changera en tonalité de bip A à bas niveau uniquement.

● Niveau de haut-parleur extérieur DAY/NIGHT

Le niveau de haut-parleur extérieur peut être configuré. La configuration diurne-nocturne peut être en actionnant le bouton implanté sur panneau frontal de cet appareil.



Bouton Niveau de haut-parleur extérieur DAY / NIGHT

Quand le mode Diurne est paramétré, l'indicateur de niveau SP extérieur du module central s'allumera en jaune. Quand le bouton de niveau SP extérieur est pressé, le mode Nocturne est assumé et cet indicateur disparaîtra.

Mode DAY: Niveau normal

Mode NIGHT: Niveau à 50 % (atténuation)

Remarque:

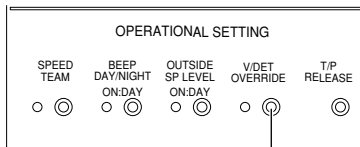
- Si POS à distance est paramétré pour ON, noter qu'aucune commande du bouton du niveau de haut-parleur extérieur n'est possible au niveau du module central.

● Activation de détecteur de véhicule normal/asservi

Le fonctionnement de détecteur de véhicule peut être configuré.

La configuration d'activation Normal/asservi peut être faite en actionnant le bouton implanté sur panneau frontal de cet appareil.

Quand le mode d'activation Asservi est paramétré, l'indicateur asservi V/D du module central s'allumera en jaune. Quand le bouton asservi V/D est pressé, le mode Normal est assumé et cet indicateur disparaîtra.



Bouton d'activation de détecteur de véhicule normal/asservi

Normal: Le détecteur de véhicule ne se met en fonction que lorsqu'un véhicule est détecté au tableau de menu. Quand le détecteur entre en fonction, un bip est entendu dans le combiné microcasque d'écoute. Quand le bouton Parler est appuyé sur le preneur de commande ou le combiné microcasque d'écoute tout intégré, le haut-parleur extérieur et le microphone extérieur sont mis en fonction au niveau du tableau de menu.

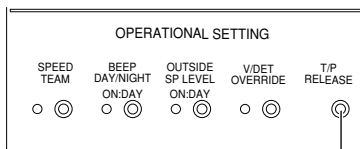
Le détecteur de véhicule s'arrête dès que le véhicule s'en va. Au moment de paramétrer la position normale, le mode de verrouillage automatique pour parler est permis.

Asservi activé: Le détecteur de véhicule est toujours en fonction. Au moment de paramétrer la position asservie, le mode de verrouillage automatique pour parler n'est pas permis.

● Libération Parler/Page

En mode Parler ou Page, n'importe quel entretien est temporairement interrompu au combiné microcasque d'écoute (preneur de commande ou combiné microcasque d'écoute tout intégré).

Le fonctionnement de la libération de Parler/Page est possible par la commande du bouton implanté sur le panneau frontal de cet appareil.



Bouton de libération Parler/Page

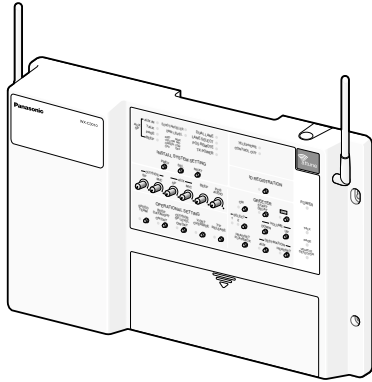
Remarques:

- Si POS à distance est paramétré pour ON, noter qu'aucune commande du bouton de la libération de Parler ou Page n'est possible au niveau du module central.
- Il est possible de libérer le mode Parler ou Page du combiné microcasque d'écoute tout intégré ou du preneur de commande en mode de gérant.

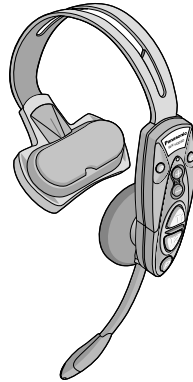
Éléments et accessoires de système des séries WX-CC3010 Panasonic

Remarque: Les illustrations risquent d'être sensiblement différentes des produits réels.

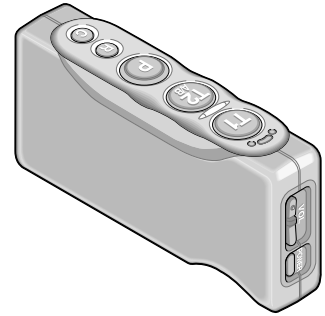
■ **Module central
WX-C3010**



■ **Combiné microcasque d'écoute
tout intégré WX-H3050**



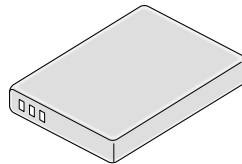
■ **Preneur de commande
WX-T3020**



■ **Combiné microcasque d'écoute
WX-H3027**

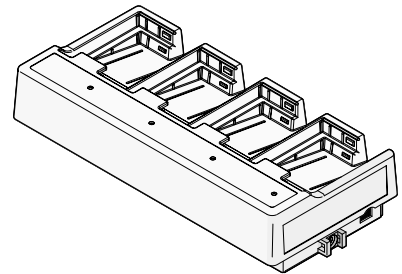


■ **Batterie WX-B3030
(1UF653450R-MDSP)**

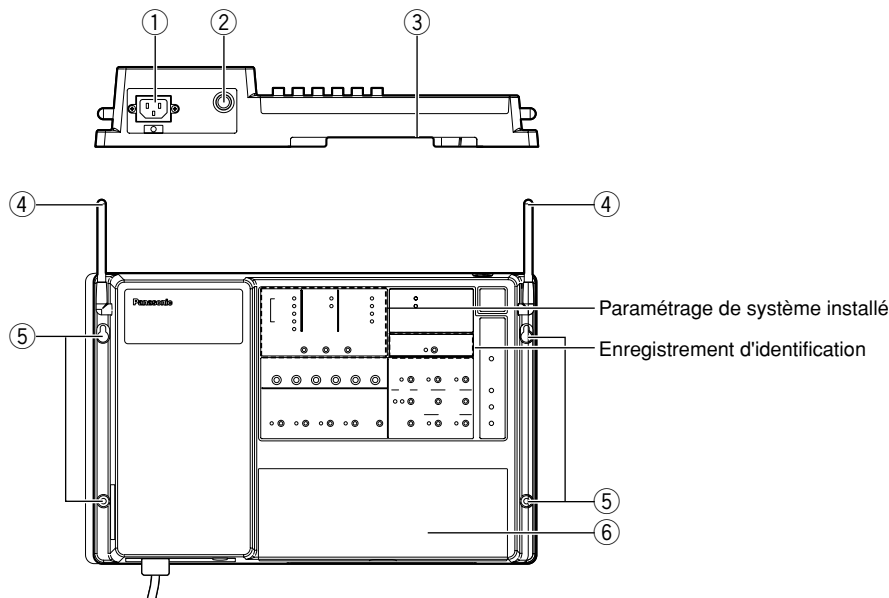


- WX-B3030 et 1UF653450R-MDSP sont les mêmes modèles.
- Seulement utilisé pour WX-H3050 et WX-T3020.

■ **Chargeur de batterie
WX-Z3040**



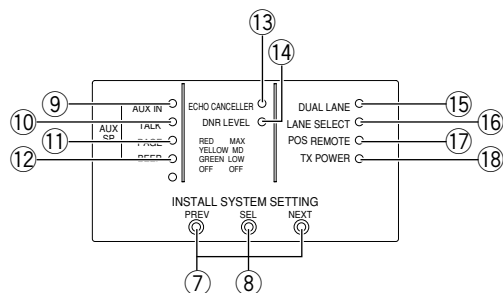
Principaux organes de commande et fonctions



- ① **Prise d'entrée d'alimentation à courant alternatif**
- ② **Interrupteur d'alimentation marche-arrêt**
- ③ **Ouverture traversante**
- ④ **Antenne**
- ⑤ **Ouverture d'installation**
- ⑥ **Couvercle de tableau à bornes**

[Paramétrage de système installé]

Les boutons suivants doivent être utilisés essentiellement par un technicien professionnel ou des installateurs de système qualifiés.



- ⑦ **Bouton PREV/NEXT (INSTALL SYSTEM SETTING, PREV/NEXT)**
Ces boutons sélectionnent les rubriques de paramétrage de système
- ⑧ **Bouton de sélection (SEL)**
Ce bouton sélectionne la valeur paramétrée des rubriques de paramétrage de système.
- ⑨ **Indicateur marche-arrêt d'entrée auxiliaire (vert) (AUX IN)**
Cet indicateur bascule sur ON quand la sortie son d'entrée auxiliaire est assurée par le haut-parleur auxiliaire.

- ⑩ **Indicateur marche-arrêt Parle (vert) (TALK)**
Cet indicateur bascule sur ON quand la communication entre le personnel du magasin et un client est assurée par le haut-parleur auxiliaire.
- ⑪ **Indicateur marche-arrêt Page (vert) (PAGE)**
Cet indicateur bascule sur ON quand la communication entre les membres du personnel du magasin est assurée par le haut-parleur auxiliaire.
- ⑫ **Indicateur marche-arrêt Bip (vert) (BEEP)**
Cet indicateur bascule sur ON quand un bip sonore est délivré par le haut-parleur auxiliaire.
- ⑬ **Indicateur de contrôle de niveau d'effet d'éliminateur d'écho (ECHO CANCELLER)**
Le taux d'élimination de l'éliminateur d'écho, destiné à éliminer l'écho de retour du tableau de menu, est configuré.
OFF: Désactivé
LOW: Vert
MID: Jaune
HIGH: Rouge
- ⑭ **Indicateur de contrôle de niveau d'effet DNR (DNT LEVEL)**
Plus le bruit est réduit, moins bonne est la qualité acoustique. Le tableau à la page 27 mentionne le rapport entre le niveau de réduction de bruit et la qualité acoustique.
OFF: Désactivé
LOW: Vert
MID: Jaune
HIGH: Rouge

- ⑮ **Indicateur marche-arrêt de passage double (vert) (DUAL LANE)**
Avec une commande TANDEM effectuée dans un système double de service clientèle de passage, régler sur ON.

⑩ **Indicateur de sélection de passage (rouge/vert)
(LANE SELECT)**

Sélectionner le passage A ou B dans un système double de service clientèle de passage.

Rouge: Passage A sélectionné

Vert: Passage B sélectionné

⑪ **Indicateur de commande à distance POS (Vert)
(TX POS)**

Cette rubrique sélectionne l'activation et la désactivation de commande à distance POS.

Désactivé: Désactivation de commande à distance POS

Activé: Activation de commande à distance POS

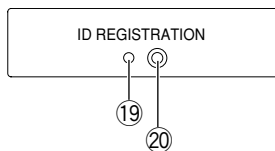
⑫ **Indicateur d'alimentation TX (Vert) (POWER)**

Cette rubrique sélectionne le mode normal et l'atténuation de tension de transmission.

Désactivé: Réduit l'alimentation (25 %)

Activé: Alimentation normale

[Enregistrement d'identification]



⑬ **Indicateur d'enregistrement d'identification (rouge)
(ID REGISTRATION)**

Ceci est indiqué pendant l'enregistrement d'identification.

⑭ **Bouton d'enregistrement d'identification**

Appuyer ce bouton pendant deux seconde ou davantage pour activer le mode d'enregistrement d'identification. Quand ce bouton est pressé encore une fois, un retour au mode normal est opéré.

■ Procédures d'installation

Préparatifs (se référer à la page 51.)

Installation des modules centraux sur le mur (Se référer à la page 51.)

Câblage aux modules centraux (Se référer à la page 52.)

Enregistrement d'identification pour les appareils suivants (Se référer à la page 57.)

[Configuration de système]

Paramétrage de système installé (Se référer à la page 58.)

Réglages aux niveaux sonores adéquats

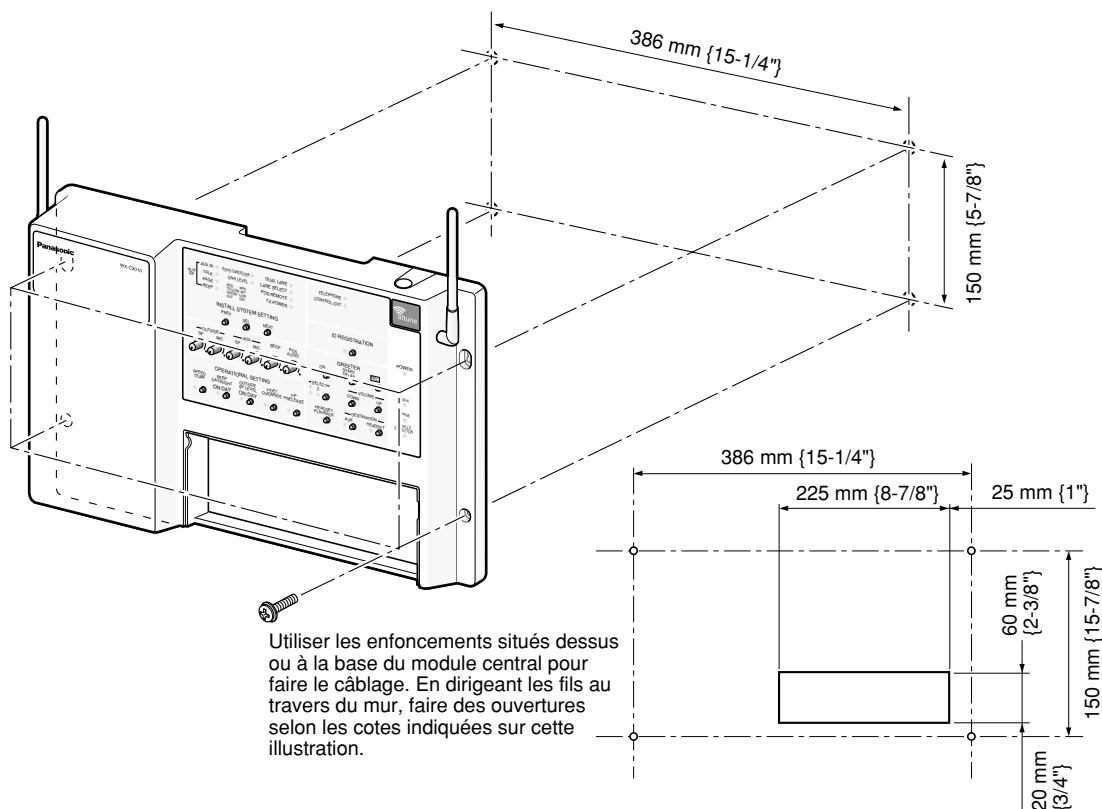
■ Préparatifs

Ce module central est conçu pour être installé directement sur un mur. Veuillez prendre connaissance de ce qui suit:

- Obtenir 4 vis de montage selon le matériau de la zone d'installation. Dans ce cas-ci, des vis à bois et des clous ne devraient pas être utilisés.
Vis de fixation recommandée: M4 x 25 mm
- La capacité de résistance d'extraction exigée d'une seule vis/d'un boulon est de 118 N {12 kgf} ou plus.
- Si un panneau mural présente une trop faible résistance pour supporter le poids total, la zone devra être suffisamment renforcée.

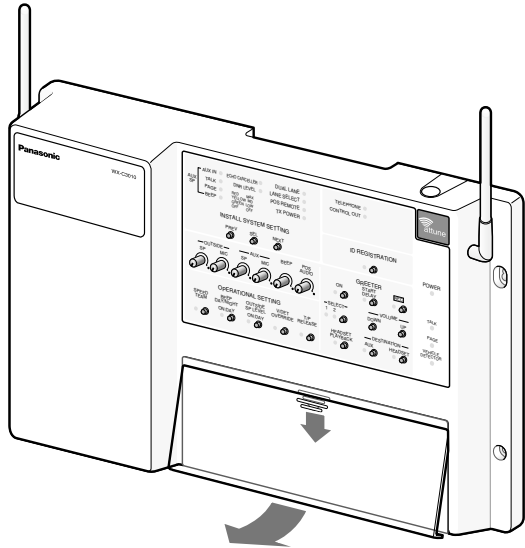
■ Installation des modules centraux sur le mur

Fixer le module central directement sur le mur à l'aide des 4 vis préparées. (Les vis de fixation ne sont pas fournies.)

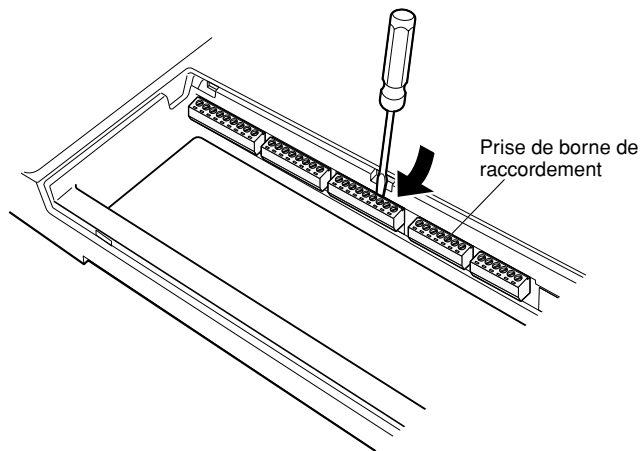


■ Câblage aux modules centraux

1. Retirer le couvercle du tableau de connexion.
Faire coulisser le couvercle frontal vers le bas tout en appuyant sur la partie indiquée par une flèche et tirer sur la partie inférieure du couvercle vers soi.

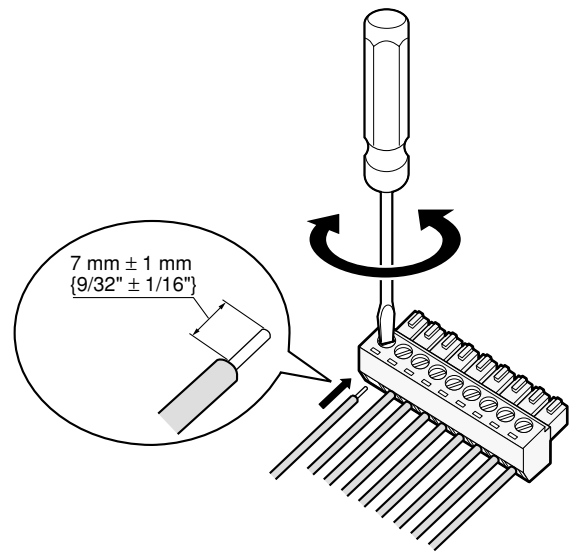


2. Introduire un tournevis ordinaire dans la fente comme cela est représenté sur l'illustration et retirer la prise de connexion de l'appareil principal.

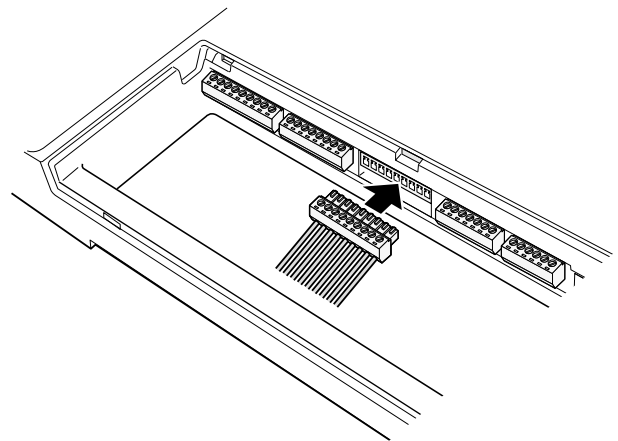


3. Raccorder l'équipement de câblage à la prise de connexion.
Utiliser un tournevis ordinaire et desserrer la vis implantée sur la surface supérieure de la prise de connexion.
Décoller le blindage de l'extrémité de l'équipement de câblage et introduire l'extrémité du câble dans la prise de connexion.
Serrer fermement la vis qui a été desserrée au moyen du tournevis ordinaire.
Utiliser le même procédé susmentionné pour chaque prise de connexion.

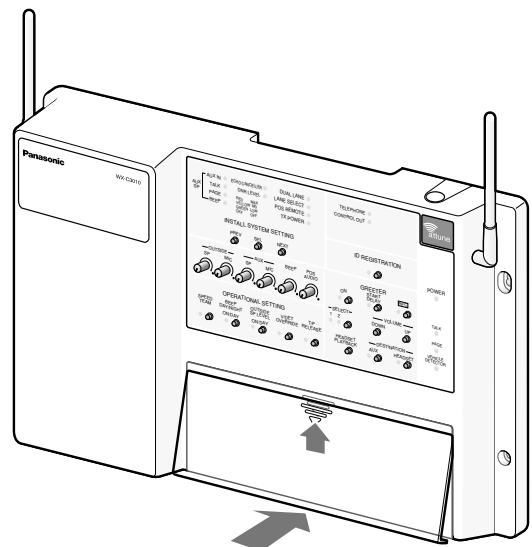
Remarque: Traiter les fils selon les instructions suivantes.
Type de fil recommandé: Calibre américain de 28 - 16 (ne pas utiliser de fils soudés.)
Longueur à dénuder: 7 mm ± 1 mm {9/32" ± 1/16"}
Diamètre de vis: \varnothing 2 mm {3/32"}
Couple de serrage recommandé: 0,22 N·m à 0,25 N·m



4. Installer la prise câblée sur l'appareil principal.
Remarque: Insérer fermement la prise dans l'appareil principal.



5. Faire coulisser le couvercle frontal de la base et l'installer sur l'appareil principal.
Remarque: Fixer fermement le couvercle frontal sur l'appareil principal.

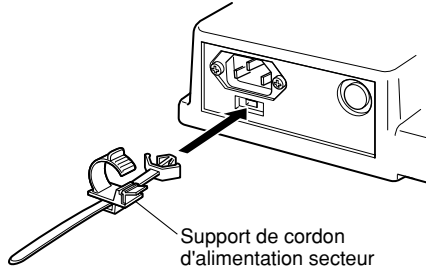


■ Attache de la prise d'alimentation et du cordon d'alimentation secteur

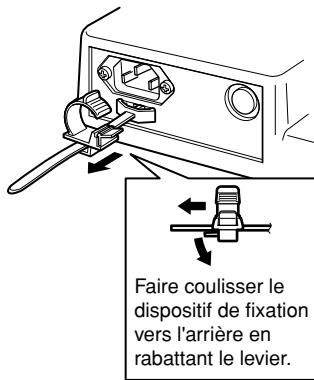
Important:

Fixer fermement la prise d'alimentation à ce module central et visser le câble d'alimentation secteur au mur à l'aide du dispositif de fixation fourni.

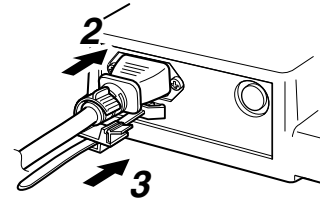
1. Introduire un support de câble d'alimentation secteur dans le trou placé sous l'entrée d'alimentation secteur.



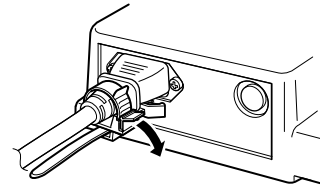
2. Faire coulisser le dispositif de fixation vers l'arrière en rabattant le levier de l'attache.



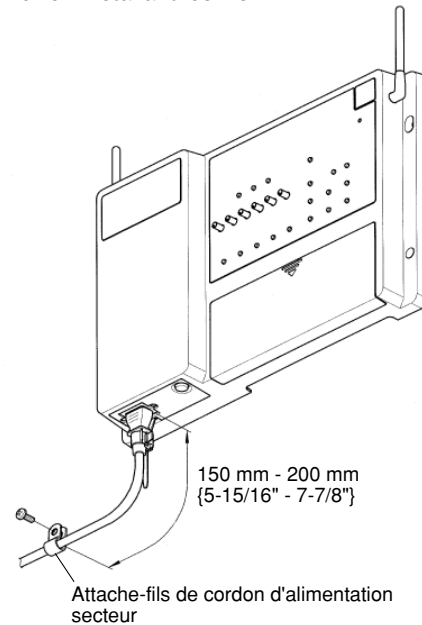
3. Introduire la prise d'alimentation dans la prise d'entrée du cordon d'alimentation.
4. Repousser le dispositif de fixation en avant jusqu'à ce que le dispositif de fixation touche la prise d'alimentation.



5. Bloquer le dispositif de fixation.



6. Fixer le câble d'alimentation secteur avec l'attache fournie et fixer l'attache de câble d'alimentation secteur au mur en installant les vis.



● Se référer aux listes suivantes fixées à l'intérieur du couvercle de panneau de connexion pour réaliser les connexions.

CONNECTOR 1 ORDER INTERFACE	
1	AUX SP + (8Ω)
2	AUX SP GND
3	OUTSIDE SP + (8Ω)
4	OUTSIDE SP GND
5	OUTSIDE MIC +
6	OUTSIDE MIC -
7	OUTSIDE MIC GND
8	V/DET1 IN
9	COM
10	V/DET2 IN

CONNECTOR 2 ORDER INTERFACE	
1	AUX MIC +
2	AUX MIC -
3	AUX MIC GND
4	AUX MIC PTT
5	COM
6	DEVICE CONTROL
7	COM
8	N/C

CONNECTOR 3 POS INTERFACE	
1	SPEED TEAM
2	T/P RELEASE
3	MANAGER SELECT
4	PAGE SELECT
5	IN COM
6	POS AUDIO IN
7	POS AUDIO GND
8	POS AUDIO OUT
9	POS AUDIO GND

CONNECTOR 4 POS INTERFACE	
1	V/DET 1
2	V/DET 2
3	TALK
4	PAGE
5	OUT COM
6	NIGHT MODE
7	OUTSIDE SP LEVEL

CONNECTOR 5	
1	
2	
3	N/C
4	
5	
6	COM

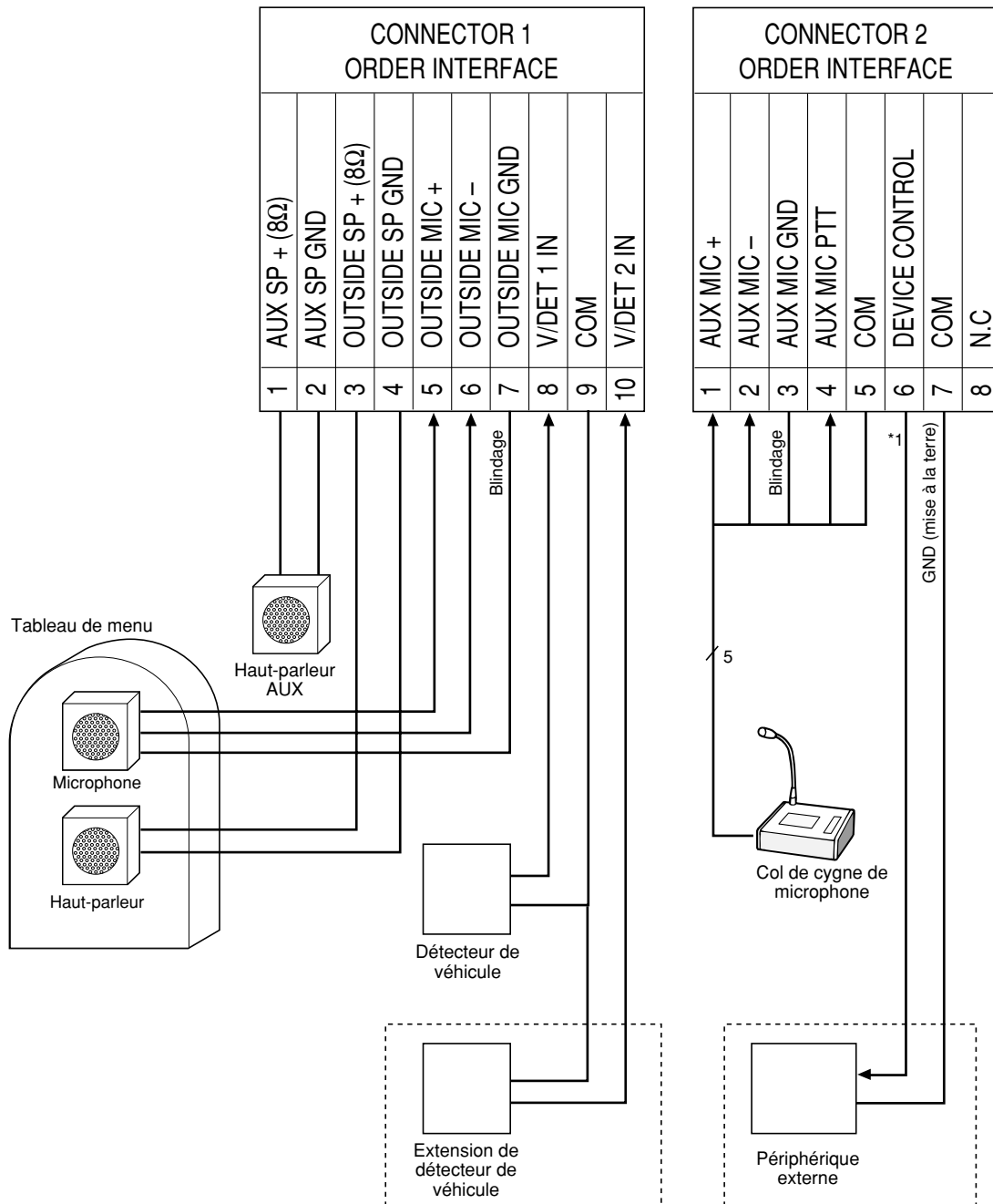
CONNECTOR 6 MAINTENANCE	
1	
2	
3	N/C
4	
5	
6	

CONNECTOR 7 DDT INTERFACE	
1	
2	
3	
4	
5	
6	
7	
8	
9	
10	
11	
12	
13	
14	
15	
16	
17	
18	
19	
20	
21	
22	
23	
24	
25	
26	
27	
28	
29	
30	
31	
32	
33	
34	
35	
36	
37	
38	
39	
40	
41	
42	
43	
44	
45	
46	
47	
48	
49	
50	
51	
52	
53	
54	
55	
56	
57	
58	
59	
60	
61	
62	
63	
64	
65	
66	
67	
68	
69	
70	
71	
72	
73	
74	
75	
76	
77	
78	
79	
80	
81	
82	
83	
84	
85	
86	
87	
88	
89	
90	
91	
92	
93	
94	
95	
96	
97	
98	
99	
100	

DOUBLE-DRIVE-THRU
Use a LAN cable
with the shield type

■ Connexions de base

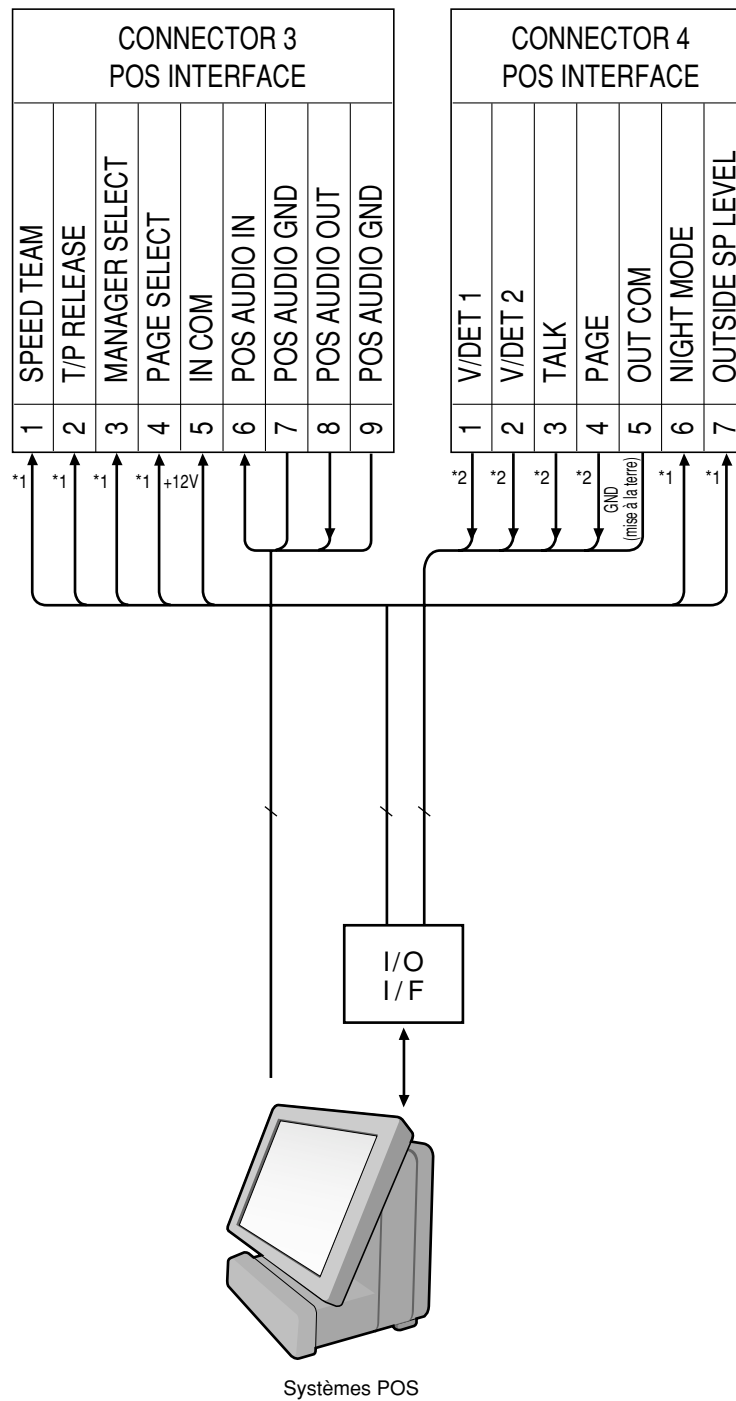
Ce schéma indique la connexion d'un système de base.



*1 OUTPUT: Photocoupleur (PS2352L) - isolé, maxi. 100 mA

■ POS (Points de ventes)-Connexion de système

Ce schéma indique la connexion à un système POS.

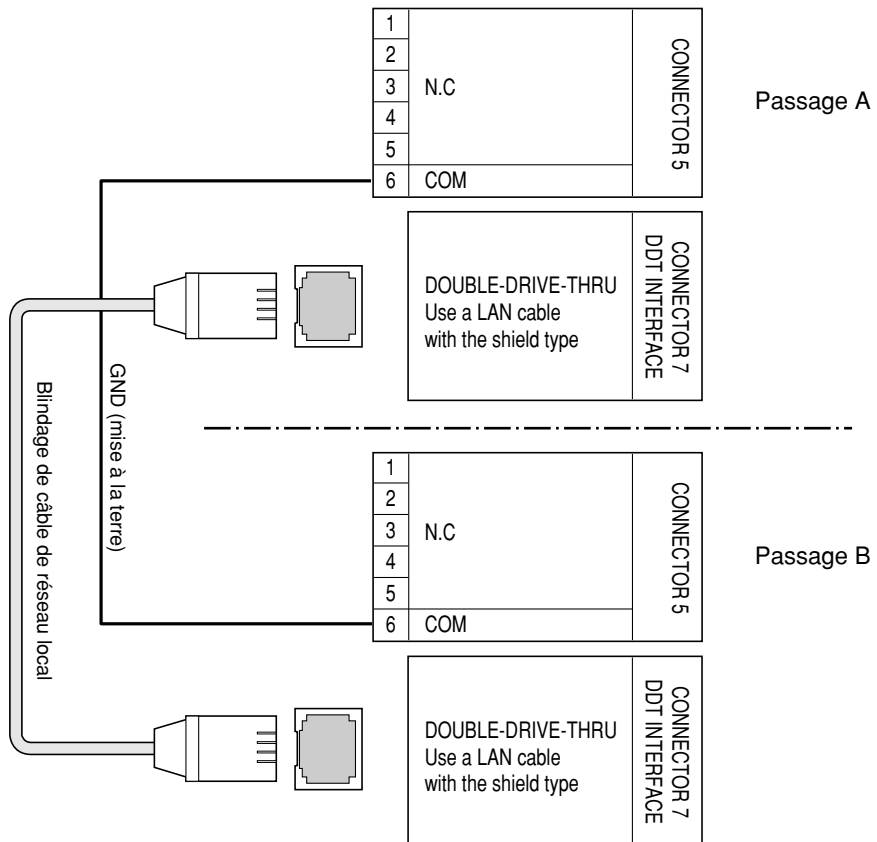


*1 INPUT: Entrée faisant contact sans tension

*2 OUTPUT: Photocoupleur (PS2501L) - isolé, maxi. 10 mA

■ Connexion de système double de service clientèle de passage (Double-Drive-Thru)

Ce schéma indique la connexion dans un système double de service clientèle de passage.



■ Enregistrement d'identification pour les appareils suivants

- Pour pouvoir parler avec les combinés microcasque d'écoute (preneur de commande ou combiné microcasque d'écoute tout intégré), un enregistrement d'identification est exigé.
- En ce qui concerne l'enregistrement d'identification, paramétrer le module central en mode d'enregistrement d'identification et exécuter l'opération d'enregistrement d'identification au moyen de l'appareil suivant.

Les procédures d'enregistrement d'identification sont décrites ci-dessous sur la base d'un combiné microcasque d'écoute tout intégré.

1. Mettre le module central sous tension.
2. Appuyer sur le bouton d'enregistrement d'identification du module central pendant au moins 2 secondes. Le système passe en mode d'enregistrement d'identification. L'indicateur d'enregistrement d'identification clignote.
3. Tout en pressant et immobilisant simultanément les boutons T1 et T2, appuyer et maintenir le bouton d'alimentation enfoncé pour mettre le combiné microcasque d'écoute tout intégré en marche. Le combiné microcasque d'écoute tout intégré passe en mode de paramétrage d'enregistrement d'identification quand les témoins et les boutons ont des fonctions différentes de celles du fonctionnement normal. On entend alors "ID Registration Mode" et le témoin d'alimentation clignote en jaune.
4. Appuyer sur le bouton T1 pour que le combiné microcasque d'écoute tout intégré recherche le module central. On entend alors "Connecting center module A" et l'indicateur de passage clignote en jaune.
- * Appuyer sur le bouton T2 (pour le système double de service clientèle de passage) pour la sélection d'autres modules centraux. On entend alors "Connecting center module B" et l'indicateur de passage clignote en vert.

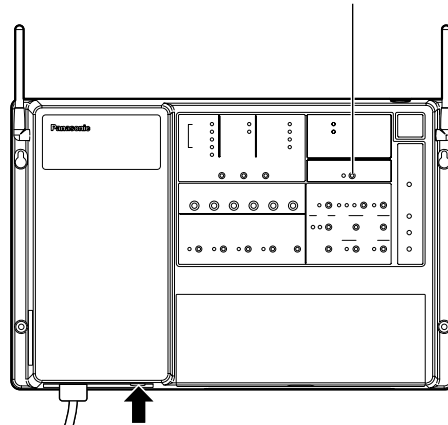
Quand l'enregistrement d'identification a réussi avec succès, on entend alors "Registration Complete" et le numéro de combiné microcasque d'écoute et le témoin d'alimentation cessent de clignoter et restent allumés.

5. Quand des identifications sont enregistrées sur tous les combinés microcasque d'écoute tout intégré, appuyer sur le bouton d'identification du module central, le mode d'enregistrement d'identification se termine. Le témoin d'alimentation du combiné microcasque d'écoute tout intégré passera du jaune au vert.

Remarques:

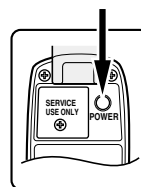
- Si l'enregistrement d'identification échoue, des sons de rappel "bip-bip, bip-bip, bip-bip, bip-bip" sont produits et l'on entend alors un message de rappel qui dit "A échoué". Si l'enregistrement échoue, l'identification n'est pas enregistrée et le témoin "POWER" clignote en rouge. Quand cela se produit, couper l'alimentation et refaire une tentative d'enregistrement.
- Le combiné microcasque d'écoute tout intégré ou le preneur de commande qui peut être enregistré dans un module central est jusqu'à 32. Si l'on enregistre une identification dépassant un nombre de 32, l'identification enregistrée inutilisée est automatiquement effacée dans l'ordre chronologique.
- En enregistrant les identifications de deux ou plus de combinés microcasque d'écoute tout intégré ou preneurs de commande, enregistrer chaque combiné microcasque d'écoute ou preneur de commande dans l'ordre.

Maintenir le bouton d'enregistrement d'identification enfoncé pendant au moins 2 secondes.

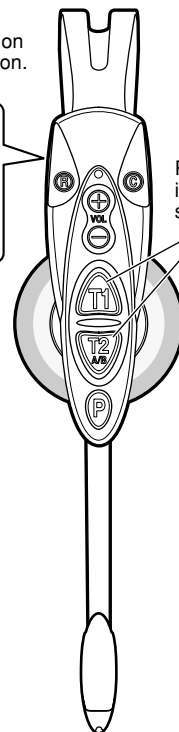


Appuyer sur le commutateur "marche-arrêt" pour faire la mise sous tension

Maintenir le bouton d'alimentation enfoncé pour mettre sous tension.



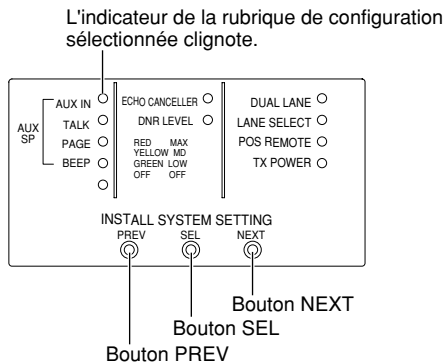
Presser et immobiliser simultanément.



■ Paramétrage de système installé

Après l'accomplissement des travaux d'installation, la configuration du système doit être faite selon l'équipement à connecter et le mode de fonctionnement souhaité.

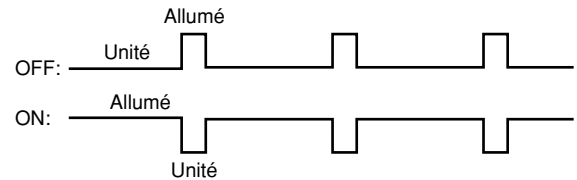
Les opérations de configuration pour le système installé seront effectuées par l'utilisation du bouton PREV/NEXT et du bouton SEL.



1. Mettre le module central sous tension.
2. Appuyer sur le bouton [NEXT] ou sur le bouton [PREV].
L'indicateur de la rubrique de configuration sélectionnée clignote. Chaque fois que le bouton [SEL] est pressé, un changement réciproque est opéré entre la sélection ON et l'état de sélection OFF.
L'état "marche-arrêt" peut être défini par le mode de clignotement de l'indicateur.

OFF: La durée d'éclairage est courte et la durée d'extinction est longue.

ON: La durée d'éclairage est longue et la durée d'extinction est courte.



3. Avec une permutation "marche/arrêt" opérée, l'état sélectionné se refléchit sur le système en temps réel.
4. Quand le bouton [NEXT] est pressé, la rubrique de configuration suivante est sélectionnée. (La rubrique de configuration étant sélectionnée, elle est déplacée d'une unité en position inférieure ou placée dans le coin supérieur droit.)
Quand le bouton [PREV] est pressé, la rubrique de configuration précédente est sélectionnée. (La rubrique de configuration étant sélectionnée est déplacée d'une unité en position supérieure ou placée dans le coin inférieur gauche.)
5. Si n'importe lequel des boutons [NEXT], [SEL] ou [PREV] n'en est pas pressé dans un délai de 10 secondes, le clignotement de l'indicateur cesse.

● Opération de configuration pour SP AUX. (haut-parleur auxiliaire)

La sortie son est configurée pour AUX SP.

Rubrique de configuration		ON (Vert)	OFF
AUX SP	AUX IN	Son AUX IN délivré aux haut-parleurs auxiliaires.	Aucune sortie
	TALK	Son TALK délivré aux haut-parleurs auxiliaires. * Le son du microphone externe est également délivré à AUX SP.	Aucune sortie
	PAGE	Son PAGE délivré aux haut-parleurs auxiliaires.	Aucune sortie
	BEEP	Son BEEP délivré aux haut-parleurs auxiliaires.	Aucune sortie

● Opération de configuration de l'éliminateur d'écho (contrôle de niveau d'effet d'éliminateur d'écho)

L'effet de l'éliminateur d'écho (le taux d'effacement d'écho) est configuré.

Indicateur	Niveau d'éliminateur d'écho	Qualité acoustique	Observations
OFF	OFF	–	Aucun traitement de l'éliminateur d'écho
Vert	LOW	Élevée	Quand l'effet de l'écho est faible, cette position est sélectionnée.
Jaune	MID	Normal	
Rouge	HIGH	Basse	Quand l'effet de l'écho est important, cette position est sélectionnée. Il s'agit ici du réglage implicite. (*1)

*1: S'il est difficile de saisir le contenu de la conversation, configurer le niveau de l'éliminateur d'écho sur MID.

● Opération de configuration de niveau DNR (contrôle de niveau d'effet de réduction de bruit numérique)

L'effet de DNR (réduction de bruit numérique) (le taux de réduction de bruit) est configuré.

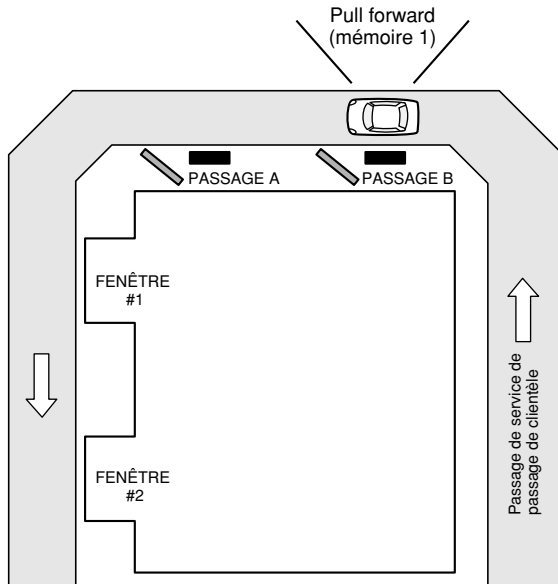
Indicateur	Niveau de réduction de bruit	Qualité acoustique	Observations
OFF	OFF	–	Aucun traitement DNR
Vert	LOW	Élevée	Pour un environnement relativement calme.
Jaune	MID	Normal	Pour un environnement courant. Il s'agit ici du réglage implicite.
Rouge	HIGH	Basse	Ce dispositif est utile sous l'environnement très bruyant. Avec ce paramétrage, on peut ressentir que le son de la conversation est artificiel.

● Opération de configuration de double passage

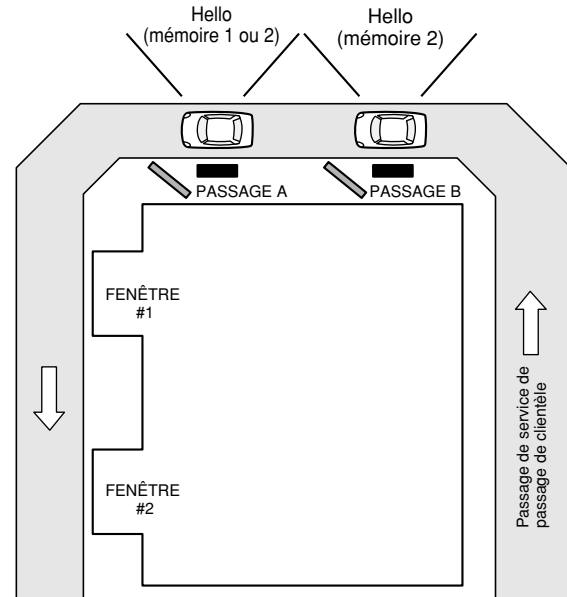
Dans le cas d'un double passage, deux tableaux de menu (passage A et passage B) sont utilisés. Seulement pour le module central du passage B, le double passage est paramétré sur ON.

Activé: DUAL LANE ON (Vert)

Quand il y a voiture uniquement dans le passage B, la mémoire de personne d'accueil 1 est délivrée par le haut-parleur de passage B.

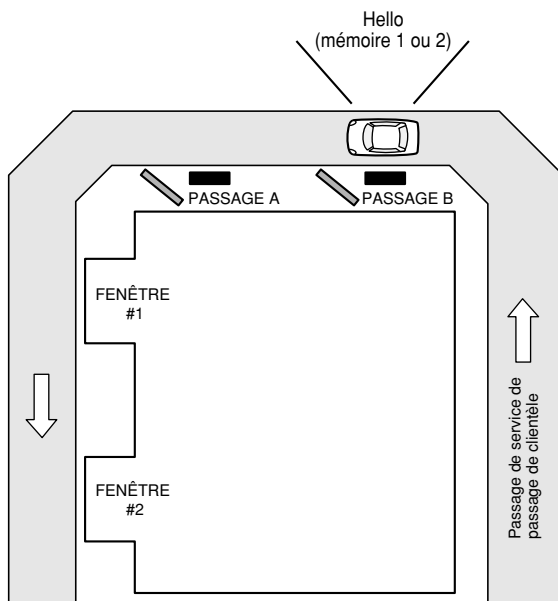


Quand il y a des voitures dans le passage A et le passage B, la mémoire de personne d'accueil 2 est délivrée par le haut-parleur de passage B.

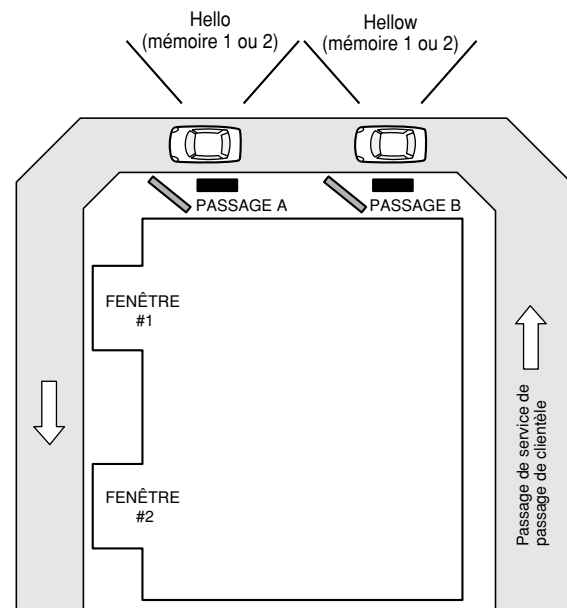


Désactivé: DUAL LANE OFF

Quand il y a voiture uniquement dans le passage B, la mémoire de personne d'accueil (1 ou 2) est délivrée par le haut-parleur de passage B.



Quand il y a des voitures dans le passage A et le passage B, la mémoire de personne d'accueil (1 ou 2) est délivrée par le haut-parleur de passage B.



Remarque: Quand un seul module central est paramétré dans le système, DUAL LANE est réglé sur OFF. Si DUAL LANE est réglé sur ON, seul le message 1 est délivré par le haut-parleur du tableau de menu.

● Configuration de passage

Dans le cas d'un système double de service clientèle de passage, chaque appareil du module central est respectivement paramétré pour le passage A ou le passage B.

Seulement pour le module central du passage B, le double passage est paramétré sur ON.

Quand la configuration du passage A ou du passage B est permutée, le module central sera relancé automatiquement.

Si les indicateurs [TALK] and [PAGE] commencent à clignoter après avoir le redémarrage, vérifier les connexions entre les deux modules centraux.

Rouge: Passage A (généralement, ce paramétrage est utilisé. Il s'agit ici du paramétrage de réglage implicite.

Vert: Passage B

Remarque: Si le paramétrage de passage est modifié, l'enregistrement d'identification devrait être refait.

● Configuration de commande à distance POS

Ce paramétrage est exécuté quand la fonction de commande à distance POS est utilisée.

ON (Vert): La commande à distance POS est permise. Quand ON est sélectionné, les réglages suivants de bouton pour le module central sont invalidés:

SPEED TEAM

VEHICLE DETECTOR

BEEP DAY/NIGHT

OUTSIDE SP LEVEL DAY/NIGHT

TALK/PAGE RELEASE

● Configuration d'alimentation TX

L'alimentation de transmission pour le module central est configurée.

S'il y a une quelconque inquiétude en ce qui concerne des interférences d'ondes électriques avec les magasins du voisinage, régler l'alimentation de transmission sur OFF.

ON (Vert): Alimentation normale (généralement, ce paramétrage est utilisé. Il s'agit ici du paramétrage de réglage implicite.

OFF: Alimentation atténuée (25 %)

■ Information au sujet des fonctions de commande à distance POS

Une commande à distance devient possible si tout périphérique externe est connecté à la prise de connexion de commande à distance POS du module central. Pour utiliser les fonctions de commande à distance POS, la configuration de commande à distance POS sera activée. (Se référer à la page 61.)

Fonctions (prises de connexion)		Usage
V/D OUTPUT	V/DET1	Activé quand le détecteur de véhicule 1 est réglé sur ON
	V/DET2	Activé quand le détecteur de véhicule 2 est réglé sur ON
LINE OUTPUT STATE OUTPUT	PAGE	Activé quand un son PAGE est délivré à POS AUDIO OUT.
	TALK	Activé quand un son TALK est délivré à POS AUDIO OUT.
NIGHT MODE INPUT	DAY	Invalide le bip de détecteur de véhicule sur l'autre passage. (Pour court-circuiter les bornes)
	NIGHT	Réduit le volume de bip de détecteur de véhicule sur l'autre passage. (Pour établir une ouverture de circuit des bornes)
OUTSIDE SP LEVEL INPUT	DAY	Le volume du haut-parleur extérieur est à niveau normal. (Pour court-circuiter les bornes)
	NIGHT	Le volume du haut-parleur extérieur est à un niveau égal à 50 %. (Pour établir une ouverture de circuit des bornes)
SPEED TEAM INPUT		Avec le paramétrage ON, le mode d'équipe rapide est assumé. (ON avec court-circuit des bornes)
TALK LOCK RELEASE INPUT		Une fois mis en fonction pendant 1 seconde, le contrôle de libération Parler/Page est effectué. (ON avec court-circuit des bornes)
POS AUDIO STATE INPUT	MANAGER SEL	Avec le paramétrage ON, le son d'entrée reçu par le circuit d'entrée audio POS peut être entendu seulement avec le combiné microcasque d'écoute du gérant. (ON avec court-circuit des bornes)
	PAGE SEL	Avec le paramétrage ON, le son d'entrée reçu par le circuit d'entrée audio POS peut être entendu par le combiné microcasque d'écoute. (ON avec court-circuit des bornes)
POS AUDIO INPUT		L'entrée son provenant de POS ou d'un périphérique externe est reçue. Cette entrée son est permutée par le contrôle d'entrée de l'état du son POS.
LINE OUT		La sortie son est envoyée au POS ou à un périphérique externe. Le contenu de la sortie son est enregistré par la sortie d'état de la sortie de ligne.

Dépannage

Symptôme	Origine/Solution	Pages de référence
La communication entre les preneurs de commande, le tableau de menu et le combiné microcasque d'écoute tout intégré ne peut pas être établie.	<p>L'interrupteur d'alimentation "marche-arrêt" du module central est-il actif ?</p> <ul style="list-style-type: none"> • Vérifier la prise de sortie secteur. • Si le problème subsiste même après avoir essayé les recommandations ci-dessus, s'en remettre au distributeur ou au personnel de dépannage. 	41, 49
La commande de bouton est impossible au niveau du module central.	<p>Si la commande à distance POS est réglée sur ON, une partie de la commande du bouton devient impossible.</p> <ul style="list-style-type: none"> • Régler la commande à distance POS sur OFF. 	50
Les indicateurs Parler ou Page clignotent et la conversation ne peut pas être maintenue du tout.	<ul style="list-style-type: none"> • Couper l'alimentation du module central puis remettre le module central sous tension. • Si le problème subsiste même après avoir essayé les recommandations ci-dessus, s'en remettre au distributeur ou au personnel de dépannage. 	41
Parler est impossible tandis que l'indicateur Parler ou Page clignote.	<p>Le fonctionnement normal n'est pas sécurisée pour les fonctions de système double de service clientèle de passage.</p> <ul style="list-style-type: none"> • Confirmer si l'alimentation électrique des deux modules centraux est appliquée. <p>Confirmer si des connexions ont été parfaitement réalisées entre les deux modules centraux.</p>	41, 56
Impossibilité de communiquer avec le client à la hauteur du tableau de menu (TALK) bien que la communication entre les membres du personnel soit normale (PAGE est OK).	<ul style="list-style-type: none"> • Vérifier si l'indicateur VEHICULE DETECTOR du module central s'allume quand un véhicule arrive à la hauteur du pilier de haut-parleur ou du tableau de menu. • Si l'indicateur ne s'allume pas, vérifier les points suivants. <ol style="list-style-type: none"> 1. Le détecteur de véhicule est-il branché ? 2. Vérifier la prise de sortie secteur et le fusible du détecteur de véhicule. <p>Si l'alimentation et le fusible sont normaux, s'en remettre à un personnel de dépannage qualifié.</p> 	-
Un haut-parleur de tableau de menu est toujours actif, même lorsqu'il n'y a aucun véhicule à côté du tableau de menu.	<ul style="list-style-type: none"> • Remettre le détecteur de véhicule à l'état initial. Si le problème subsiste encore, retirer et remettre en place le fusible provenant du détecteur. (Se reporter au manuel d'instructions du détecteur de véhicule.) • Si le problème subsiste même après avoir essayé les recommandations ci-dessus, s'en remettre au distributeur ou au personnel de dépannage. 	-
La fonction TALK (PTT ou verrouillage pour parler) ou PAGE (PTT ou verrouillage page) ne sont pas disponibles dans certains secteurs.	<ul style="list-style-type: none"> • S'assurer qu'il n'existe aucun élément métallique d'obstruction aux environs du module central. 	-

Symptôme	Origine/Solution	Pages de référence
<p>Vous entendez votre écho dans l'écouteur du combiné microcasque d'écoute quand vous parlez dans le microphone du combiné microcasque d'écoute.</p>	<p>Le haut-parleur et le microphone externes ne peuvent être installés correctement.</p> <ul style="list-style-type: none"> • S'assurer que le haut-parleur et le microphone sont isolés l'un de l'autre et sont solidement installés avec suffisamment de mousse synthétique entourée autour de chacun d'eux afin d'absorber les vibrations. 	-
	<p>Le niveau sonore de sortie et/ou d'arrivée est être réglé sur un niveau trop élevé.</p> <ul style="list-style-type: none"> • Régler le niveau sonore de sortie sur un niveau suffisamment élevée pour être entendu par les clients. Réduire le niveau d'entrée du son pour obtenir un niveau d'écoute confortable. <p>Remarque: Le fait de réduire le réglage d'arrivée du son peut également permettre d'éviter le bruit de contrôle par retour.</p>	-
	<p>L'éliminateur d'écho est peut être éteint ou le niveau de l'effet est peut être bas.</p> <ul style="list-style-type: none"> • Régler correctement le niveau de l'éliminateur d'écho. <p>Remarque: Le réglage implicite a été fait sur "MAX"(LED:RED).</p>	59
<p>Vous entendez un bruit désagréable des véhicules au dehors.</p>	<p>Le DNR est peut être éteint ou le niveau de l'effet est peut être bas.</p> <ul style="list-style-type: none"> • Régler correctement le niveau de DNR. <p>Remarque: Le réglage implicite a été fait sur "MID"(LED:YELLOW).</p>	59
<p>L'indicateur TALK et l'indicateur PAGE clignotent après la mise en marche et la communication ne peut pas être exécutée du tout.</p>	<p>Le module central risque ne pas démarrer.</p> <ul style="list-style-type: none"> • Couper l'alimentation puis remettre sous tension. 	41
<p>L'indicateur TALK et l'indicateur PAGE clignotent après le mise en marche mais la communication ne peut pas être exécutée.</p>	<p>La fonction de système double de service clientèle de passage n'est pas assurée correctement. Cependant, l'opération de passage unique fonctionne bien.</p> <ul style="list-style-type: none"> • Vérifier si l'alimentation de l'autre module central est bien réglée sur ON. • Vérifier si les modules centraux sont correctement connectés. • Vérifier si LANE A et LANE B sont sélectionnés respectivement pour les passages. 	41, 56

Caractéristiques techniques

Fréquence d'utilisation (TX/RX):	1 920 MHz-1 930 MHz
Alimentation:	120 V c.a., 60 Hz
Puissance consommée:	11 W
Haut-parleur extérieur:	1,25 W, 8 Ω
Haut-parleur AUX:	1,25 W, 8 Ω
Dimensions:	404 mm (L) x 265 mm (H) x 69 mm (P) {15-15/16" (L) x 10-7/16" (H) x 2-3/4" (P)}
Poids:	2,3 kg {5,07 lbs.}
Température ambiante en service:	-10 °C à +50 °C {14 °F à 122 °F}

Les poids et dimensions indiqués sont approximatifs.
Sous réserve de modification des renseignements techniques sans préavis.

Accessoires standard

Manuel d'utilisation (cette documentation)	1 él.
Cordon d'alimentation secteur	1 él.
Support de cordon d'alimentation secteur	1 él.
Tournevis miniature	1 él.
Attache-fils de cordon d'alimentation secteur	1 él.

Panasonic System Solutions Company,
Unit Company of Panasonic Corporation of North America
www.panasonic.com/business/
For customer support, call 1.800.528.6747
Three Panasonic Way 2H-2, Secaucus, New Jersey 07094

Panasonic Canada Inc.
5770 Ambler Drive, Mississauga,
Ontario, L4W 2T3 Canada (905)624-5010
<http://www.panasonic.ca>

Panasonic Sales Company
Division of Panasonic Puerto Rico Inc.
San Gabriel Industrial Park 65th Infantry Ave. KM. 9.5
Carolina
P.R. 00985(809)750-4300