

Panasonic

ideas for life



Split System Submittal Data

Indoor: **CS-E12NKUAW** Outdoor: **CU-E12NKUA**
 Wall Mounted Heat Pump

Job Name: _____
 Location: _____
 Engineer: _____
 Submitted to: _____
 Submitted by: _____
 Reference: _____

Approval: _____
 Date: _____
 Construction: _____
 Unit #: _____
 Drawing #: _____

Power **V/PH/Hz** **230/208/1/60**
 Circuit Ampacity (A) 15
 Fuse Size, Max. (A) 15

Compressor DC Rotary Inverter
 No. used 1
 Output Power (W) 700

Outdoor Unit

Fan type Propeller
 Motor Type DC Motor (8 poles)
 Output Power (W) 40
 Airflow CFM 1095

Coil Type Aluminum (Blue Coated)
 Fin Type - Pipe Type Corrugated Fin
 Rows - F.P.I 2 - 17
 Face Area (sq.ft) 2.8

Indoor Unit

Fan type Cross Flow
 No. Speeds 5
 RPM (High) 1300
 Motor Output (W) 40
 CFM (Qlo,Lo,Me,Hi,Shi) 187/246/335/425/472
 Indoor Sound Rating (Hi) (dB-A) 40
 Coil Type Aluminum Fin & Copper Tube
 Fin Type - Pipe Type Slit Plate - Inner Rifled
 Rows - F.P.I 2-19
 Face Area (sq.ft) 2
 Drain Connection Size (in.) 5/8"

Features

Wireless Remote Controller Standard
 Wired Remote Controller (CZ-RD516C) Optional
 Controls Microprocessor
 Remote Controller LCD Wireless Type, Temp, Sensor Built In
 Temperature Control IC Thermostat
 Air Louver (Horizontal) Manual
 (Vertical) Automatic
 Power Failure Automatic Restart Built-In
 Self-Diagnosis Built-In
 Air Filter Washable, Anti-Mold

Refrigerant R410A
 Lbs. - R410a (outdoor unit) 2.16
 Control Electronic Expansion Valve
 Connection Flare
 Line Length, Max (ft.) 66
 Lift Difference, Max (ft.) 49
 Line Size (in. O.D. Discharge) 1/4"
 Line Size (in. O.D. Suction) 1/2"

Dimensions	(in.)	Height	Width	Depth
Indoor Unit	(Uncrated)	11-7/16"	34-9/32"	8-1/16"
	(Crated)			
Outdoor Unit	(Uncrated)	21-9/32"	30-23/32"	11-13/32"
	(Crated)			

Weight		Indoor	Outdoor
Net	(lbs.)	20	82
Shipping	(lbs.)		

Performance Data @ ARI Standard Conditions (230/208V)

Cooling

Total Capacity	(BTU/H)	10200
SEER		21
Dehumidification	(Pints/H)	2.5
Amps	(A)	3.5
Power Inputs	(W)	650
Outdoor Sound Rating	(dB-A)	47

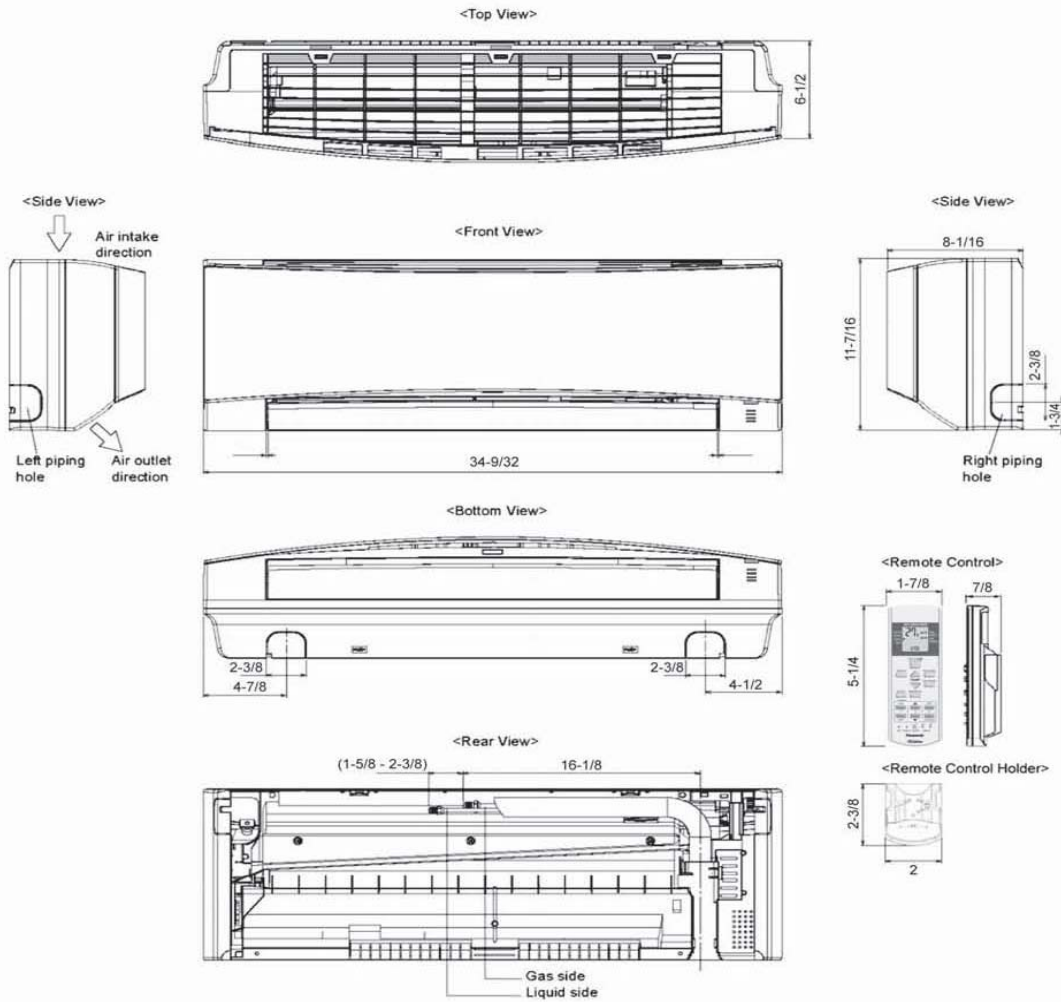
Heating

Total Capacity	(BTU/H)	14100
HSPF		10.5
Amps	(A)	6.1
Power Inputs	(W)	1150
Outdoor Sound Rating	(dB-A)	46

Operating Range

		Indoor Air Intake Temp.	Outdoor Air Intake Temp.
Cooling	Maximum	90F DB/74F WB	115F DB
	Minimum	60F DB/52F WB	0F DB
Heating	Maximum	86F DB/-F WB	75F DB/ 64F WB
	Minimum	60F DB/-F WB	5F DB/-F WB

Indoor Dimensions



Outdoor Dimensions

