



CameraMan[®]

1-CCD Camera Control Keypad
Operations Manual

Table Of Contents

I. Meet Your Control Keypad

- ▼ Congratulations on your Purchase 1
- ▼ Product Description 1
- ▼ Buttons and Controls 2

II. Connect Your Control Keypad

- ▼ Connecting your Keypad 3

III. Configure Your Control Keypad

- ▼ Orienting the Pan Arrows 4
- ▼ Maximum Pan/Tilt Configuration 5
- ▼ Multi-Camera Applications 6-8

IV. Operating Your Camera Control Keypad

- ▼ Controlling the Image 9
- ▼ Working With Location Presets 10

V. Setting Up Gen Lock with Your Control Keypad

- ▼ Gen Lock Setup 11-12

VI. Appendices

- ▼ Appendix A: Troubleshooting and Specifications 13
- ▼ Return Cameras to Factory Defaults 13

The terms Visibly Better, IMAGE, and Digital RF 900, and are registered trademarks of ParkerVision, Inc. in the United States of America. The terms CameraMan and ParkerVision are registered logos in the United States of America. Federal law prohibits any commercial use of these registered trademarks and logos.

The manufacturer reserves the right to change specifications and warranty at any time without notice or obligation.

Refer all Warranty and Servicing to the ParkerVision Consumer Center listed in the back of the installation and operations manual that came with your CameraMan camera.

No part of this manual may be copied or reproduced without express written consent of ParkerVision, Inc. © 1998 ParkerVision, Inc.

DURACELL® is a registered trademark of Duracell, Inc.

PARKERVISION®
Visibly Better.™

8493 Baymeadows Way
Jacksonville, FL 32256

904-737-1357 phone
904-731-0958 fax

support@parker vision.com e-mail
<http://www.parker vision.com> website


Congratulations On Your Purchase


ParkerVision's Camera Control Keypad provides you with portable control of up to three CameraMan 1-CCD cameras. You can use it in either wireless, or hard-wired mode, providing you with even more flexibility.




This manual covers the connection, configuration, and use of your new Camera Control Keypad. If you have questions regarding the installation or operation of your CameraMan 1-CCD General Pan/Tilt camera, please refer to the installation and operations manual included with the camera.

You will see three icons throughout this manual:

 This icon alerts you to *important instructions* in the operation and maintenance of your Camera Control Keypad.

 This icon alerts you to *tips or noteworthy suggestions* in the operation, use, or maintenance of your Camera Control Keypad.

 This icon refers you to the *1-CCD General Pan/Tilt Camera Installation and Operations Manual* that came with your camera.

Your 1-CCD Camera Control Keypad should include these components:

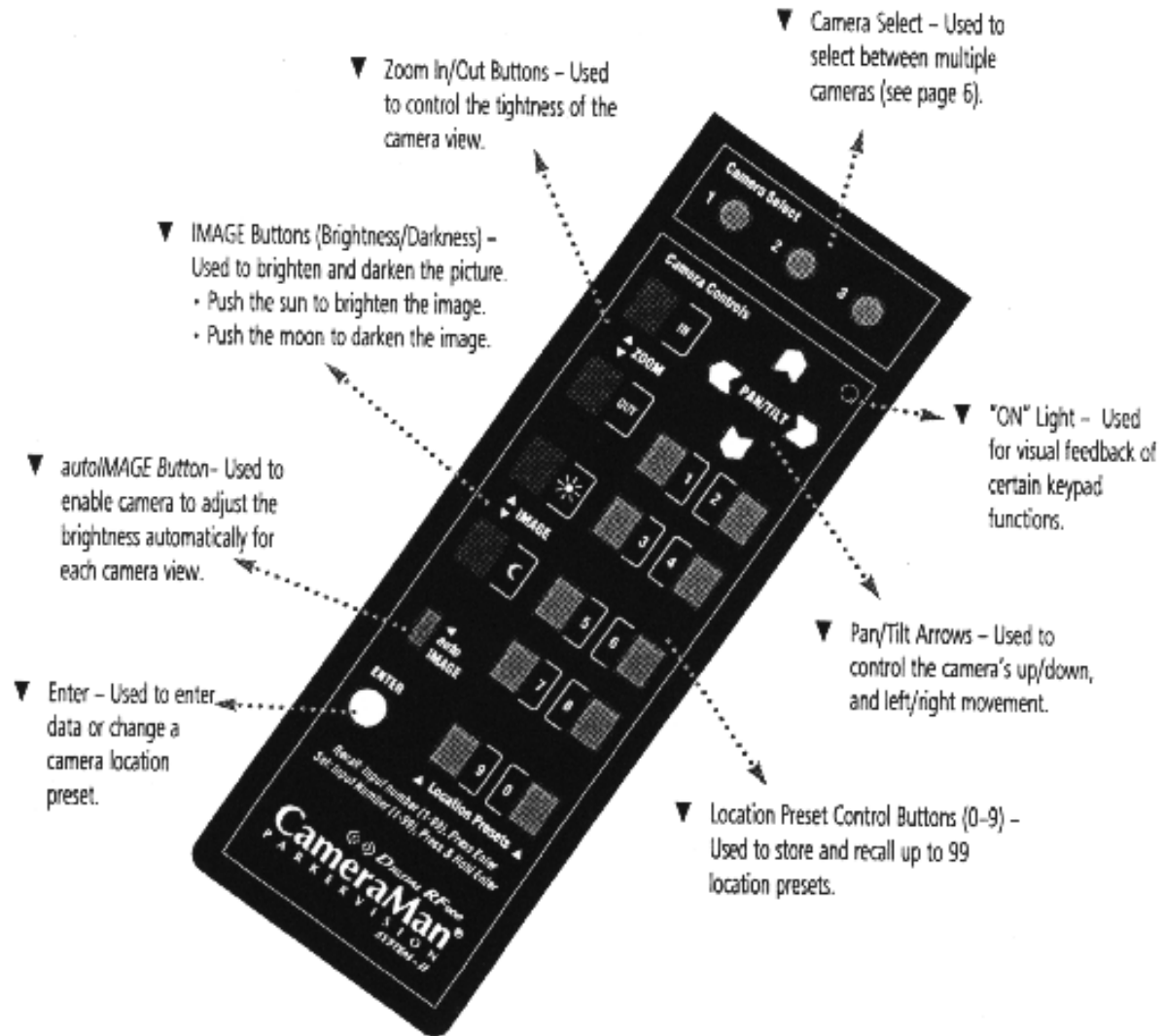
- One 1-CCD Camera Control Keypad
- One 1-CCD Camera Control Keypad Operations Manual
- One Keypad Quick Reference Card

Product Description

The Camera Control Keypad enables you to control the pan, tilt, zoom, and IMAGE functionality of your CameraMan camera. You also can store up to 99 presets per camera for up to three separate cameras. The keypad can be used either in RF wireless mode (up to 60 feet/18.28 meters from the camera) or in hard-wired mode (up to 250 feet/76.2 meters from the camera).

Buttons And Controls

Take a look at the front of your Camera Control Keypad. Here, you will find all the buttons required to control the pan, tilt, zoom and IMAGE, and to store up to 99 location presets.



Connecting Your Keypad

Your Camera Control Keypad is designed to be used either in wireless or hard-wired mode. The wireless mode enables you to freely move around the room. The hard-wired mode enables you to control the camera from greater distances. For either mode, use the following steps to connect your keypad to your camera system:

Step 1: Adjust the KEYPAD ADDRESS rotary switch (located in the battery compartment of the keypad). The selected setting must be the same as the setting of the BASE UNIT ADDRESS switch on the back of the Camera.

! For multiple camera applications, refer to page 6.

! For information on how to set the Base Unit Address on your CameraMan camera, refer to the *1-CCD CameraMan Installation and Operations Manual*.

Step 2: Configure the keypad for the desired mode:

For Wireless RF Mode (up to 60 feet/18.28 meters):

- Install the supplied AA batteries in the Camera Control Keypad by removing the battery compartment door and inserting the batteries.
- Replace the battery compartment door.
- Press one of the PAN/TILT arrows on the keypad and verify that the LED on the front of the keypad illuminates. This indicates that the batteries are installed properly.

! If the light does not illuminate, the batteries may be installed backwards. Reverse the way the batteries are inserted, and try again. If a battery with a low charge is installed, the keypad will emit a long beep.

! If the batteries are inserted improperly, it will not damage the keypad, it simply will not work.

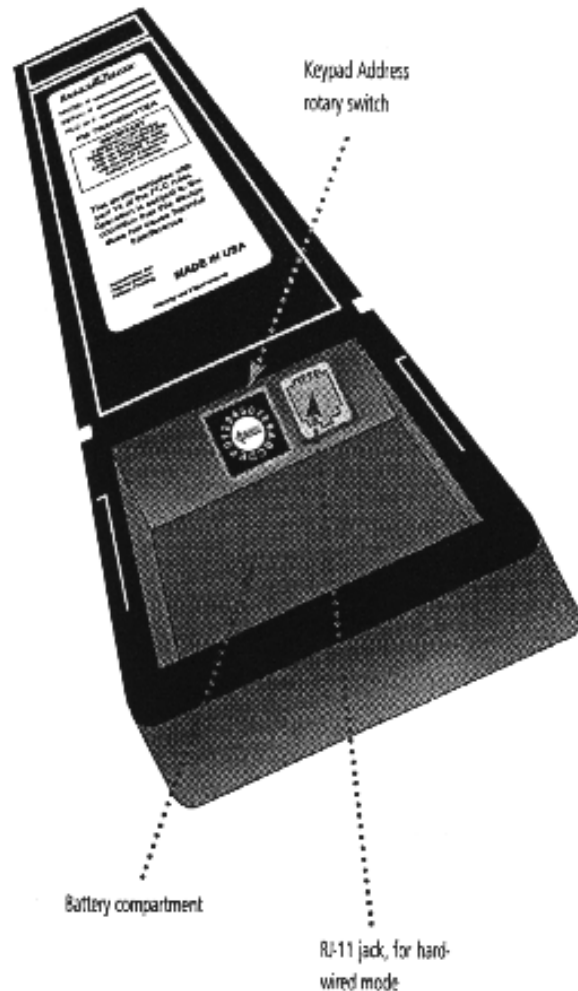
For Hard-wired Mode (up to 250 feet/76.2 meters):

- Connect the CameraMan Keypad Cable to the RJ-11 type jack located in the battery compartment of the Keypad.
- Connect the other end of the cable to the PVI COM port on the CameraMan camera.

! When the system is powered on, the light on the keypad should illuminate momentarily and beep twice, indicating the keypad is ready for operation. The light located above the PVI COM port on the camera indicates communication activity.

! You do not need to install batteries in the Camera Control Keypad when using it in hard-wired mode.

! Using a cable other than a ParkerVision-supplied cable for the PVI COM port may cause damage.



Orienting The Pan Arrows

You can configure your Camera Control Keypad to pan left and right according to your specific application. The following section explains how to understand, configure, and control the camera's panning motion.

Understanding The Panning Motion

Examples 1 and 2 depict instances when you might want to re-configure the pan arrows on your Camera Control Keypad.

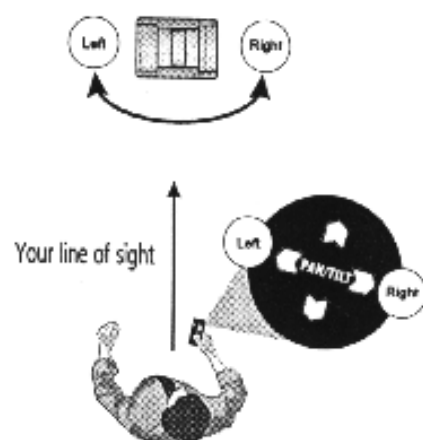
The default setting, shown in Example 1, is designed to operate while you are facing the CameraMan camera. Some examples of applications that would benefit from the default settings are:

- Distance Learning where you are the instructor.
- Presentations where you are the presenter and the audience members are watching you on a monitor.
- Videoconferences where you are an on-screen participant.
- Any other application where you, the camera controller, need to be on-camera.

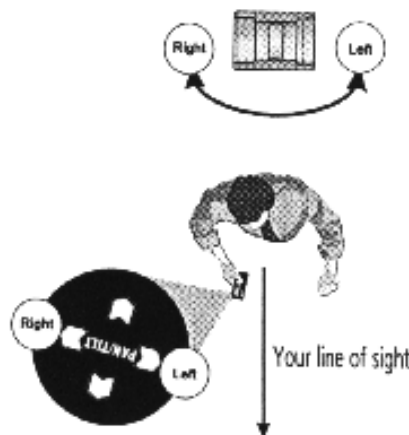
There are applications, however, in which you do not need to face the camera (example 2). In these situations, the default setting would work. These applications require that you re-orient the PAN arrows (see below). Some examples of applications that might benefit from this re-orientation are:

- Presentations where you are not the presenter, but are controlling the camera's movement.
- Videoconferences where you are a moderator, but not an on-screen participant.
- Applications where you are controlling the camera from a control room.
- Any other application where you, the camera controller, do not need to be on-camera.

Example 1 (Default setting): Facing toward the camera



Example 2: Facing away from the camera



Re-Orienting The Pan Arrows

To re-orient (reverse) the setting of the pan arrows on your Camera Control Keypad:

1. Select the camera you wish to re-orient (see page 6, Multiple Camera Keypad Usage).
2. Press and hold the ENTER and autoIMAGE buttons simultaneously.
3. Listen for a beep, indicating that the reversal is complete.
4. Release the buttons simultaneously.
5. Verify that the orientation has changed.

Maximum Pan/Tilt Configuration

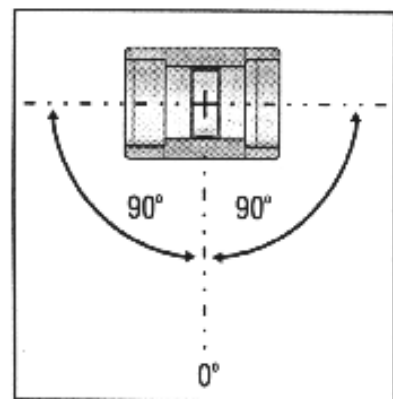
Now that you've learned how to program the pan arrows to meet your application's needs, you can continue to customize how your Camera Control Keypad works with your CameraMan system.

Maximum Pan/Tilt Travel

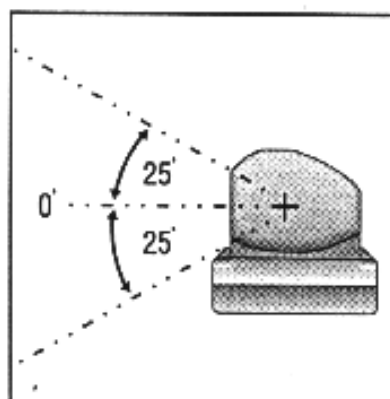
Once the CameraMan Camera is installed, you can configure the PAN/TILT settings to suit your application. The CameraMan camera has a maximum pan range of 359°, but comes programmed with factory default settings for maximum pan/tilt settings of $\pm 90^\circ$ of PAN and $\pm 25^\circ$ of TILT. Use the following procedure to change the maximum position settings:

1. Select the camera you want to adjust (see page 6, Multiple Camera Keypad Usage).
2. Press and hold the ENTER button.
3. While holding the ENTER button, use the PAN/TILT arrows to move the camera to the maximum desired position in one direction.
4. Release the ENTER button to set the maximum desired position for that direction.
5. Listen for two beeps, indicating that the maximum position for that direction has been set.
6. If desired, repeat steps 2-5 until all maximum positions (left, right, up and down) are set.
7. If desired, repeat steps 1-6 for additional cameras.

180° Default Maximum Pan Settings



50° Default Maximum Tilt Settings



359° Maximum Pan Range

