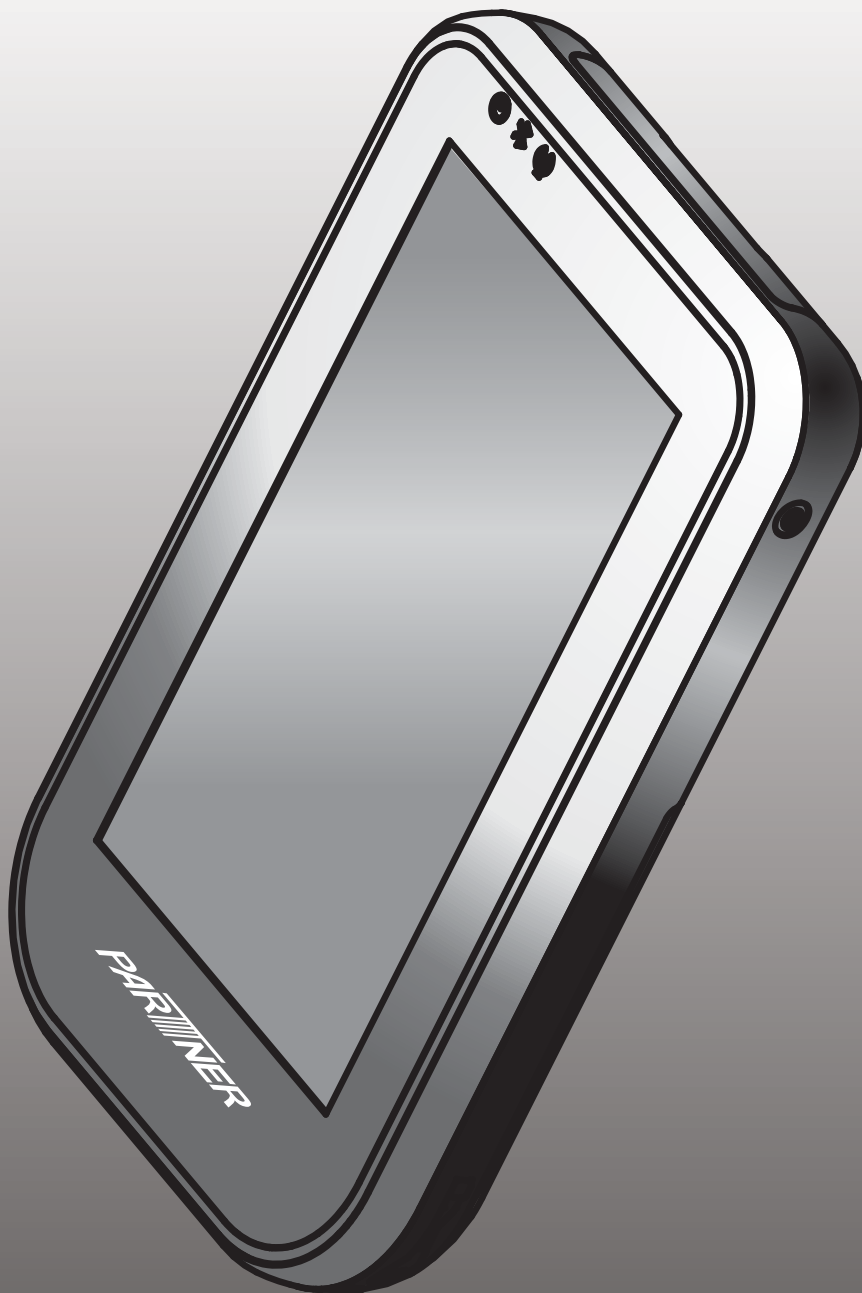


OT-200

User Manual



Copyright

This publication, including all photographs, illustrations and software, is protected under international copyright laws, with all rights reserved. Neither this manual, nor any of the material contained herein, may be reproduced without written consent of PARTNER Tech Corp.

Disclaimer

The information in this document is subject to change without notice. The manufacturer makes no representations or warranties with respect to the contents hereof and specifically disclaims any implied warranties of merchantability or fitness for any particular purpose. The manufacturer reserves the right to revise this publication and to make changes from time to time in the content hereof without obligation of the manufacturer to notify any person of such revision or changes.

Trademark recognition

All product names used in this manual are the properties of their respective owners and are acknowledged.

Federal Communications Commission (FCC)

This equipment has been tested and found to comply with the limits for a Class B digital device, pursuant to Part 15 of the FCC Rules. These limits are designed to provide reasonable protection against harmful interference in a residential installation. This equipment generates, uses, and can radiate radio frequency energy and, if not installed and used in accordance with the instructions, may cause harmful interference to radio communications. However, there is no guarantee that interference will not occur in a particular installation. If this equipment does cause harmful interference to radio or television reception, which can be determined by turning the equipment off and on, the user is encouraged to try to correct the interference by one or more of the following measures:

Reorient or relocate the receiving antenna.

Increase the separation between the equipment and the receiver.

Connect the equipment onto an outlet on a circuit different from that to which the receiver is connected.

Consult the dealer or an experienced radio/TV technician for help.

Shielded interconnect cables and a shielded AC power cable must be employed with this equipment to ensure compliance with the pertinent RF emission limits governing this device. Changes or modifications not expressly approved by the system's manufacturer could void the user's authority to operate the equipment.

FCC RF Radiation Exposure Statement

1. This Transmitter must not be co-located or operating in conjunction with any other antenna or transmitter.
2. This equipment complies with FCC RF radiation exposure limits set forth for an uncontrolled environment.
This device was tested for handheld operations with the device contacted directly to the human body.
To maintain compliance with FCC RF exposure compliance requirements, avoid direct contact to the transmitting antenna during transmitting.

Declaration of conformity

This device complies with part 15 of the FCC rules. Operation is subject to the following conditions:

This device may not cause harmful interference, and

This device must accept any interference received, including interference that may cause undesired operation.

Revision history

Version 1.0, July 2010

About this manual

This manual is intended for system administrators who are familiar with setting up a new system and installing programs.

The manual consists of the following sections:

Chapter 1 Getting Started:	This section covers unpacking and checking the package contents, identifying components, charging the battery, installing the MicroSD card, and powering on the device.
Chapter 2 Using The Device:	This section provides information on how to use the device features.
Chapter 3 Using The Accessories:	This section provides information on how to use the accessories.
Appendix:	The appendix covers troubleshooting, information on having the OT-200 serviced and technical specifications.

Safety information

Before installing and using the OT-200, take note of the following precautions:

SAR compliance for body-worn operations requires at least 2 cm of separation between the device and the user's body

Request service for damaged products: Turn off the product, unplug it from the electrical outlet, and request service from a service partner under the following conditions:

- The power cord or plug is damaged.
- Liquid has been spilled into the product.
- An object has fallen into the product.
- The product has been exposed to rain or water.
- The product has been dropped or damaged.
- The product does not operate normally when you follow the operating instructions.

Avoid hot areas: The product should be placed away from heat sources such as radiators, heat registers, stoves, and other products (such as amplifiers) that produce heat.

Allow the product to cool: Allow the product to cool before removing covers and touching internal components.

Avoid wet areas: Never use the product in a wet location.

Avoid inserting objects into product: Never insert objects of any kind into slots or other openings in the product.

Clean the product properly: Unplug the product from the wall outlet before cleaning it. Do not use liquid cleaners or aerosol cleaners. Use a soft cloth dampened with water for cleaning exterior components, but NEVER apply water directly to the product or to an LCD screen.

Use the product with approved equipment: Use your product only with the computers and accessories identified as suitable for use with your product.

Adjust the volume: Turn down the volume before using headphones or other audio devices.

When device will not be used for a long period of time, please remove the battery, and store both device and battery in a cool, dark, and dry place. For storage over a long period of time, please place product in a dry box.


SAR compliance for body-worn operations requires at least 2 cm of separation between the device and the user's body.

Battery Handling Precaution


- **Do not attempt to disassemble or reconstruct the packs.** The battery has integrated protection circuits and safety functions to avoid danger. If battery is damaged, it may rupture, generate heat, or cause smoke and flame.
- **Do not short circuit battery.** Neither short connect the positive terminal and negative terminal with metals, nor carry or store the battery with metal objects. If the battery is short circuited, excessive large current will flow and generate heat, rupture or flame will occur, and also it will cause heat generation for metals. Please cover the plug with waterproof cap when not using the battery.
- **Do not incinerate or heat the battery.** This will cause the insulator to melt, damage the gas release vent, and cause loss of safety function, or electrolyte ignition. Above mentioned matters will cause battery to rupture, generate heat, or cause smoke and flame.
- **Do not use near high temperature areas.** Do not use or leave battery near fire, stove or heated areas of more than 80°C, to avoid melting of the polymer separator which would cause internal short circuits to occur in individual cells, and cause the battery to rupture, generate heat, or cause smoke and flame.
- **Do not immerse the battery in water, seawater, or get it wet.** This may cause internal short circuits to occur within individual cells, and cause the battery to rupture, generate heat, or cause smoke and flame.
- **Do not charge battery near fire or under the blazing sun.** If the battery protection circuit does not function properly due to high temperature, or it is broken, the battery will be charged at an abnormal current, and abnormal chemical reaction may occur, causing the battery to rupture, generate heat, or cause smoke and flame.
- **Only use the official product charger and observe the charging requirement.** If the battery is charged in unusual conditions, it will cause loss of safety functions, or abnormal chemical reactions, causing the battery to rupture, generate heat, or cause smoke and flame.
- **Do not try to damage the battery.** Do not drive a nail into the battery, strike it with a hammer, or tread on it. The impact will cause leakage, causing the battery to rupture, generate heat, or cause smoke and flame.
- **Do not attempt to solder anything onto the battery.** This will cause the insulator to melt due to heat, or cause the gas release vent to break, causing the battery to rupture, generate heat, or cause smoke and flame.
- **Do not connect battery to a plug socket or car-cigarette plug.** Connecting high voltage to the battery, means excessive current will flow in it, and cause the battery to rupture, generate heat, or cause smoke and flame.
- **Do not use battery for powering other equipment.** If the battery is used for powering other equipment, it will deteriorate its performance and cycle-life. At worst, abnormal current will flow, and cause the battery to rupture, generate heat, or cause smoke and flame.
- **Do not touch a leaked battery directly.** If battery leaks and hands touch leaked electrolyte, wash your hands with soap immediately. If leaked electrolyte gets into your eyes, do not rub them, and wash eyes

immediately with fresh water. Consult a doctor immediately.


- **Do not continue to charge over specified time.** If the battery has not finished charging over recommended time, let it stop charging. There is a possibility that the battery might be defective, and continued charging may cause the battery to deform, generate heat, or cause smoke or flame.
- **Do not insert battery into a microwave or high pressure container.** This may cause battery to deform, generate heat, or cause smoke or flame, because of sudden heat, intense pressure, or damage to the sealing condition of the battery.
- **Do not put leaked battery near fire.** If liquid leaks from the battery, or the battery give outs a bad smell, do not leave battery near flammable objects. Otherwise, the electrolyte leaked from battery will catch on fire.
- **Do not use an abnormal battery.** If battery has a bad smell, changes color, deforms, or causes something wrong during usage, remove it from equipment or charger, and do not use. If an abnormal battery is used, it may cause battery to rupture, generate heat, or cause smoke and flame.




WARNING *Warning! Batteries may explode if not handled properly. Do not disassemble or dispose of them in fire. Keep them away from children. Follow local regulations when disposing of used batteries.*



警告 不正確地更換電池會有爆炸的危險。僅可更換為廠商建議的相同電池或相同型式電池。請依據廠商說明書棄置電池。



注意 用错误型号电池更换会有爆炸危险务必按照说明处置用完的电池。



注意 正しく交換しないと電池が爆発する危険があります。製造業者の推奨する電池又は同タイプの電池と交換して下さい。使用後の電池を捨てる時は製造業者の指示に従って下さい。

TABLE OF CONTENTS

CHAPTER 1 GETTING STARTED	1
Unpacking the OT-200	1
Checking the package contents	2
Identifying components	4
Charging Cradle	8
Setup the OT-200.....	9
Using the cradle	12
Charge the device in cradle	12
Charge the battery in cradle.....	12
Changing the battery.....	13
Using MicroSD cards	16
Installing a MicroSD card	16
View the contents of a MicroSD card	19
CHAPTER 2 USING THE DEVICE	21
Entering text.....	21
Shortcut menus	21
Performing a reset.....	22
Opening and closing programs	22
Status icons.....	22
Adjusting the volume.....	23
Changing the device name	24
Entering owner information	25
Recalibrating the screen	26
Setting the date and time	27
Turning WiFi, Bluetooth on or off	28
Setting the screen orientation	29
Connecting to a WiFi network	30
Automatically connect to a WiFi network	30
Manually connect to a WiFi network	31
Find your IP address.....	32
Specify the IP address and domain name servers (DNS)	32
Lock OT-200.....	34
Unlock OT-200	35
Synchronization.....	36
Synchronize your data with ActiveSync and Windows XP	36
Synchronize your data with ActiveSync and Windows Vista/ 7	37

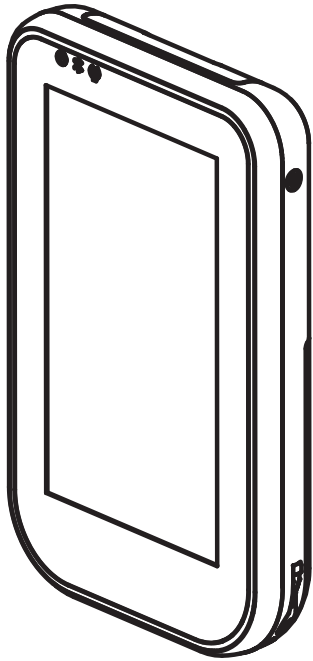
Copy or move files between the computer and OT-200.....	38
To copy or move files using ActiveSync (Windows XP):	38
To copy or move files using WMDC (Windows Vista/ 7):	38
Install and remove programs.....	39
CHAPTER 3 USING THE ACCESSORIES	41
Attaching the stylus cord	41
Attaching the hand strap	42
Using the leather pouch	43
Attaching the leather pouch cord	44
Using the high quality stylus.....	45
APPENDIX	47
Troubleshooting	47
Tips for Troubleshooting.....	47
General Problems	47
Having the OT-200 Serviced	48
Guidelines for care and maintenance	48
Using the device	48
Cleaning the device	48
Transporting and storing the device.....	48
Specifications	49

Specifications

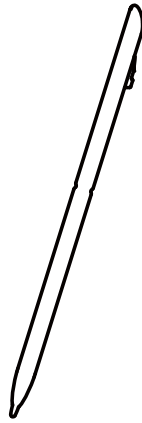
CPU	Samsung S3C6410 667 MHz processor
Operating System	Microsoft® Windows™ Mobile 6.5 Professional
Display	4.3" TFT LCD with Touch Screen, widescreen 800*480
Memory	256MB Flash, 256MB SDRAM
Communication	WiFi 802.11 b/g Bluetooth 2.0 class 2
Telecom standards (option)	EDGE
GPS (option)	Atheros
Extension slot	microSD card (supports SDHC)
Interface	Mini-USB 2.0
Other	G-sensor (for auto-rotation) Vibrator motor (for alerts) Internal microphone Speaker Earphone jack (3.5mm) Microphone jack (2.5mm)
Features	Wireless roaming 5510 Lock Battery cover safety protection Remote Desktop Lock screen
Ruggedness	IP54 1.2 meters drop tested
Environmental	Operating temperature: 0°C to 40°C Storage temperature: -20°C to 60°C
Battery	Rechargeable Li-ion battery 2300mAh (removable)
Dimensions (WxLxH)	82 *133 * 19 mm
Weight	Approximately 245g with battery
Optional modules	MSR module (Track 1, 2, 3) Barcode scanner module (1D/2D)
Accessories	AC adaptor, Cradle, Battery Stylus cord, Hand strap, Leather pouch, Leather pouch cord, Shoulder strap, High quality stylus
Certifications	RF: FCC / CE / SRRC / NCC (for WiFi 802.11 b/g, Bluetooth,) EMC: FCC / CE / 3C / BSMI / VCCI Safety: 3C / BSMI / CB (IEC60950-1:2005 / EN60950-1:2001, 1st ed.)

Checking the package contents

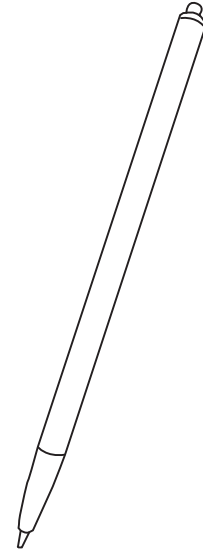
After you unpack the device check that the following items are included.



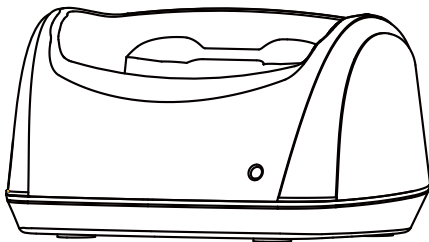
OT-200



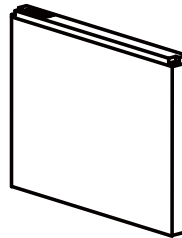
Stylus



High quality stylus



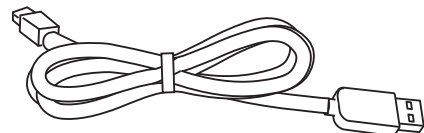
Cradle



Battery



AC adaptor



mini-USB to USB cable

Specifications

CPU	Samsung S3C6410 667 MHz processor
Operating System	Microsoft® Windows™ Mobile 6.5 Professional
Display	4.3" TFT LCD with Touch Screen, widescreen 800*480
Memory	256MB Flash, 256MB SDRAM
Communication	WiFi 802.11 b/g Bluetooth 2.0 class 2
Telecom standards (option)	EDGE
GPS (option)	Atheros
Extension slot	microSD card (supports SDHC)
Interface	Mini-USB 2.0
Other	G-sensor (for auto-rotation) Vibrator motor (for alerts) Internal microphone Speaker Earphone jack (3.5mm) Microphone jack (2.5mm)
Features	Wireless roaming 5510 Lock Battery cover safety protection Remote Desktop Lock screen
Ruggedness	IP54 1.2 meters drop tested
Environmental	Operating temperature: 0°C to 40°C Storage temperature: -20°C to 60°C
Battery	Rechargeable Li-ion battery 2300mAh (removable)
Dimensions (WxLxH)	82 *133 * 19 mm
Weight	Approximately 245g with battery
Optional modules	MSR module (Track 1, 2, 3) Barcode scanner module (1D/2D)
Accessories	AC adaptor, Cradle, Battery Stylus cord, Hand strap, Leather pouch, Leather pouch cord, Shoulder strap, High quality stylus
Certifications	RF: FCC / CE / SRRC / NCC (for WiFi 802.11 b/g, Bluetooth,) EMC: FCC / CE / 3C / BSMI / VCCI Safety: 3C / BSMI / CB (IEC60950-1:2005 / EN60950-1:2001, 1st ed.)

Identifying components

This section describes the parts and connectors on the OT-200.

Front panel components

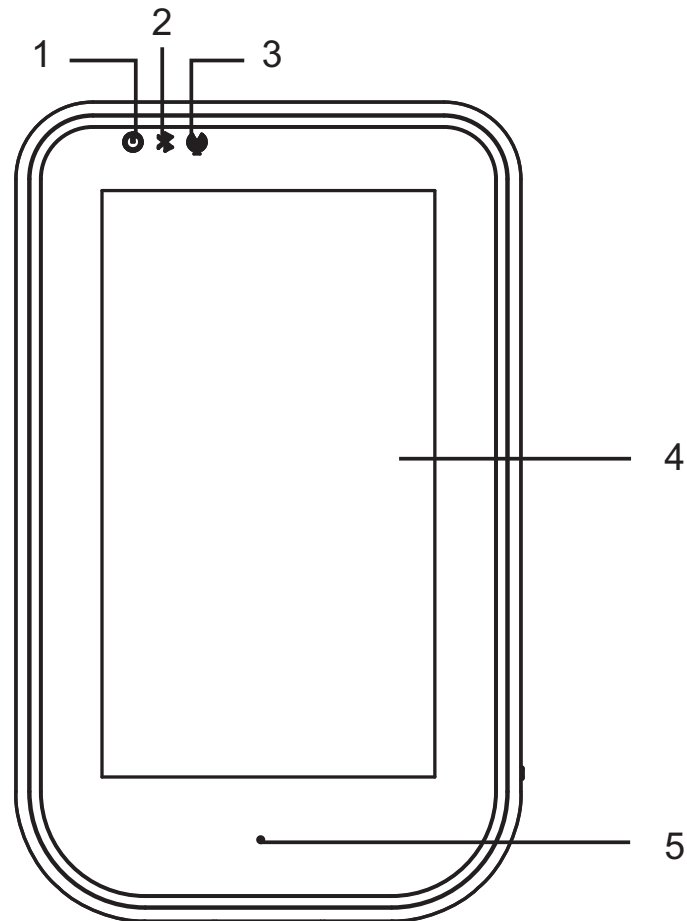


Figure 1.2 Front view

Component	Description
1	Power indicator (Green: power on, Red: charging)
2	Bluetooth indicator (Blue: Bluetooth is enabled)
3	WiFi indicator (Green: WiFi is enabled)
4	4.3-inch touch screen
5	Microphone

Top and bottom panel components

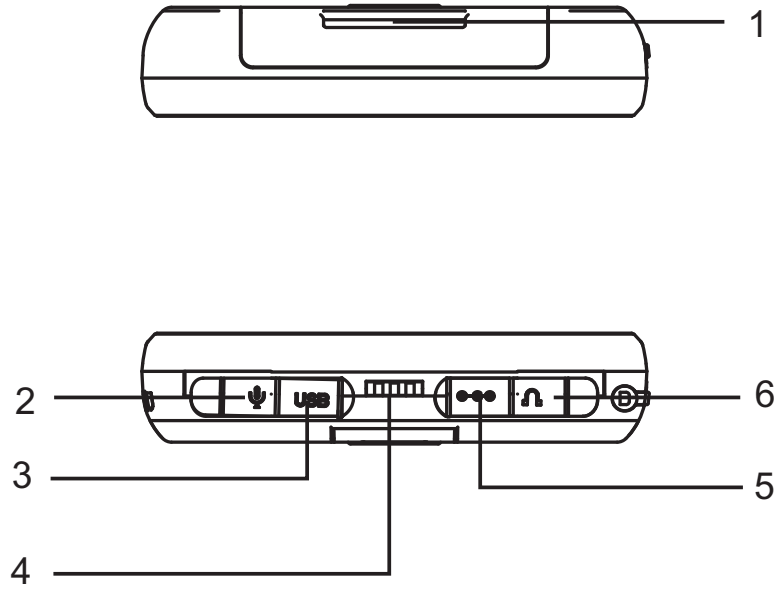


Figure 1.3 Top and bottom view

Component	Description
1	Top hand strap eyelet
2	2.5mm microphone jack
3	Mini-USB port
4	Cradle connector
5	DC power jack
6	3.5mm headphone jack

Left and right side components

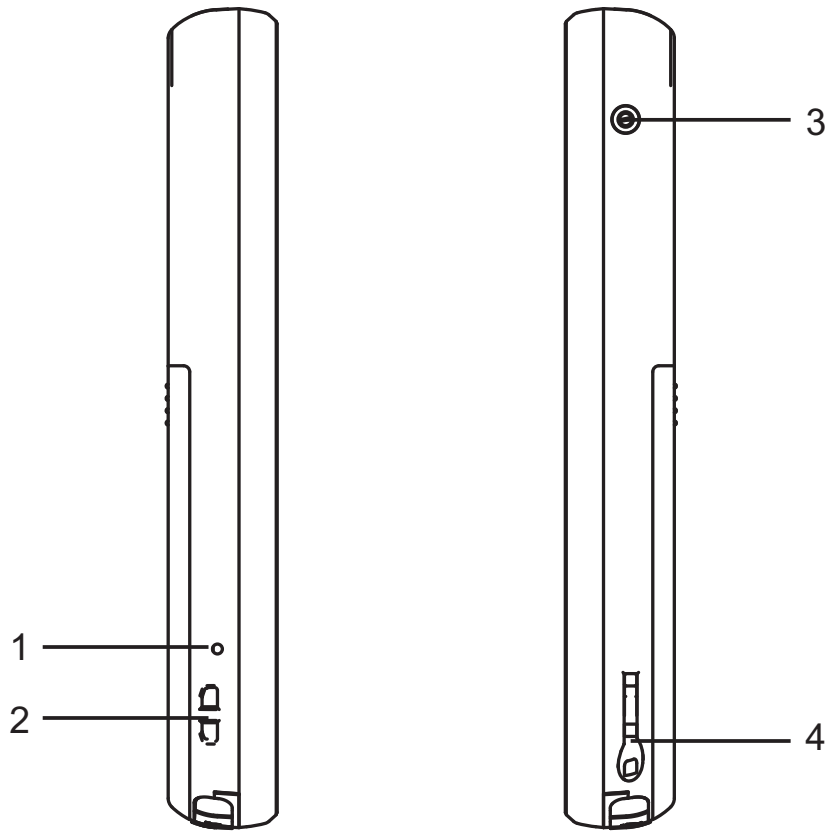


Figure 1.4 Left and right side view

Connector	Description
1	Reset button
2	Leather pouch strap eyelet
3	Power button
4	Stylus dock

Back panel components

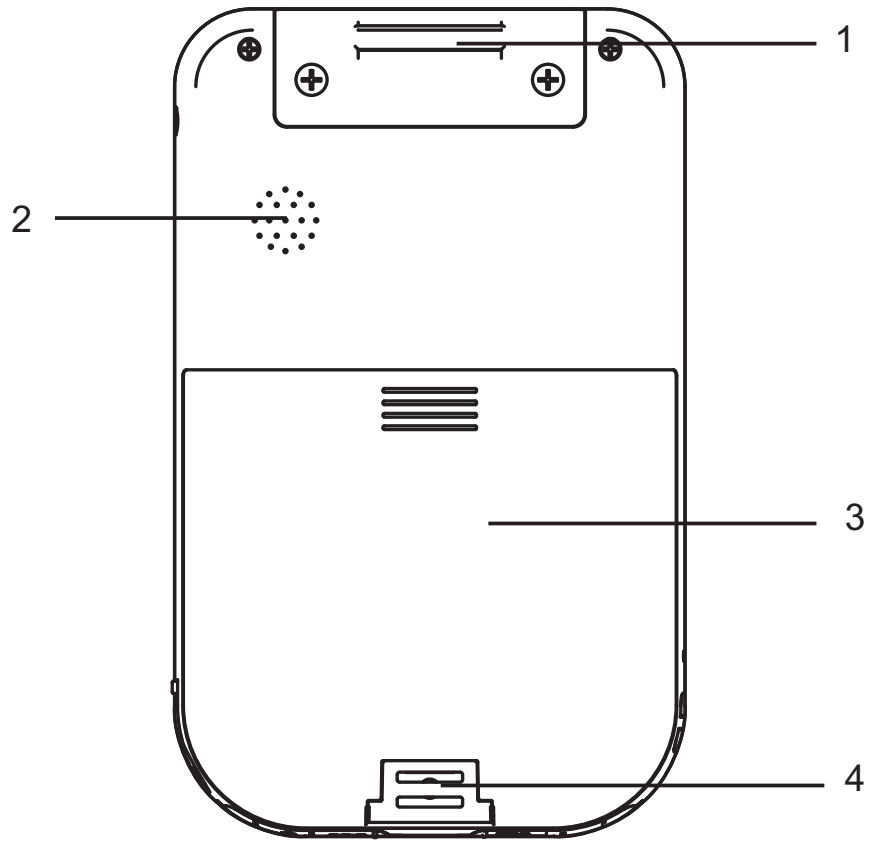


Figure 1.5 Back view

Connector	Description
1	Top hand strap eyelet
2	Speaker
3	Battery cover
4	Bottom hand strap eyelet

Charging Cradle

This section introduces the charging cradle for the OT-200.

The charging cradle is used to charge the OT-200. A second slot is also available for charging a spare battery.

Top and front view of the cradle

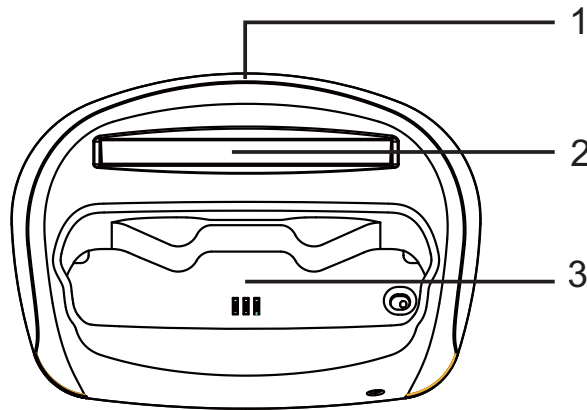


Figure 1.6 Top view of the cradle

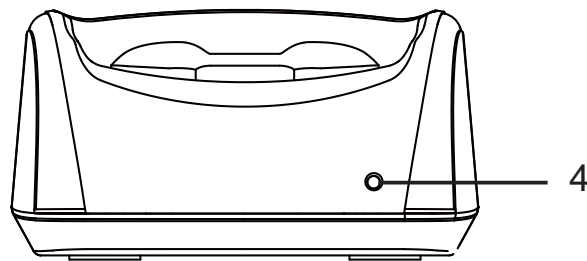


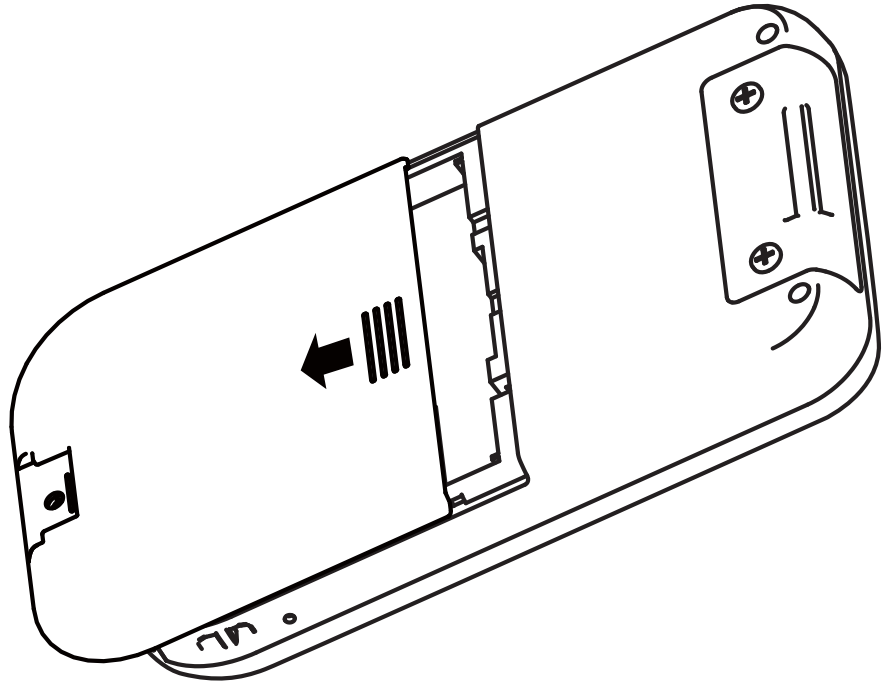
Figure 1.7 Front view of the cradle

Connector	Description
1	DC power connector
2	Battery slot
3	OT-200 socket
4	Battery slot charging indicator

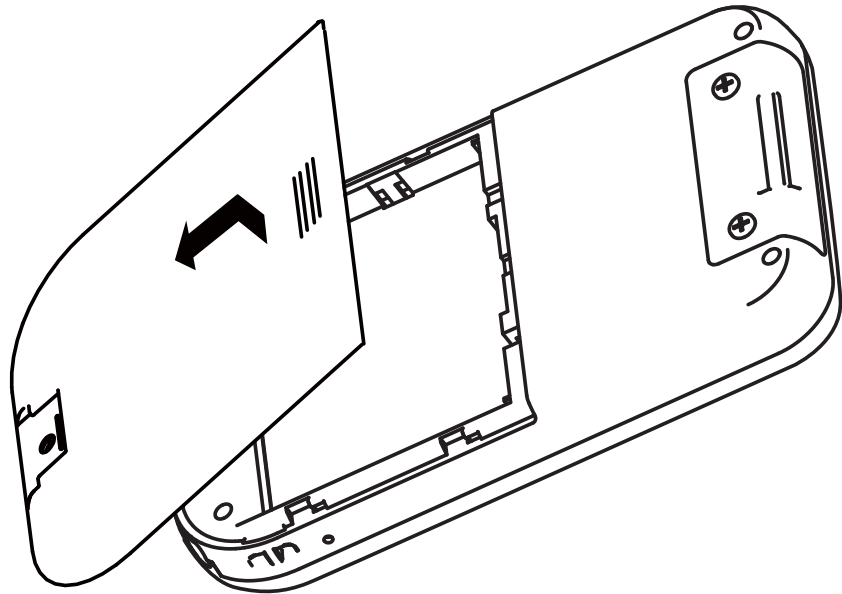
Setup the OT-200

Refer to the following to setup the OT-200.

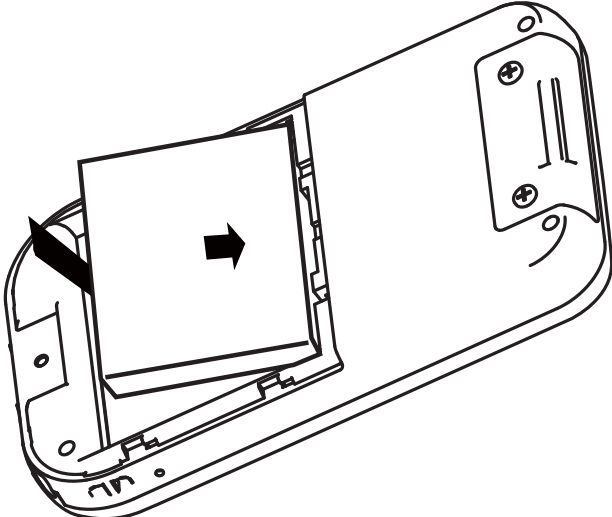
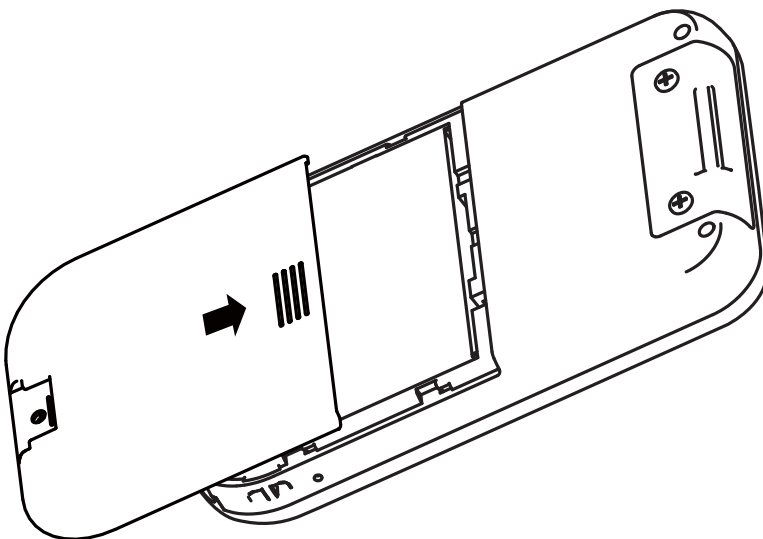
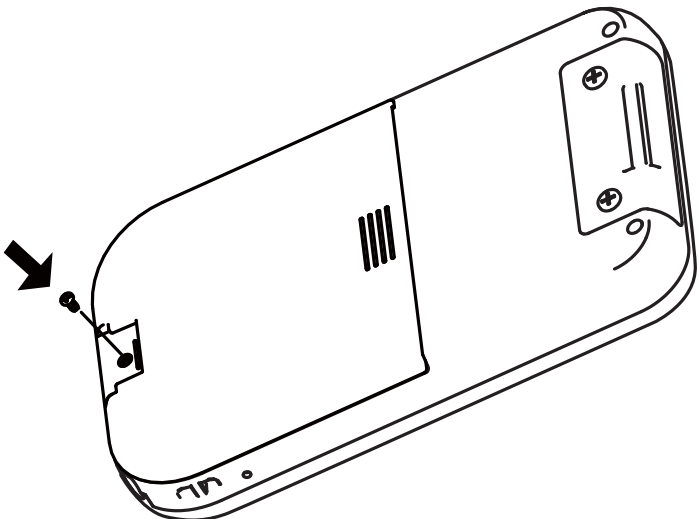
1. Remove the battery cover.



Slide the cover downwards to open.

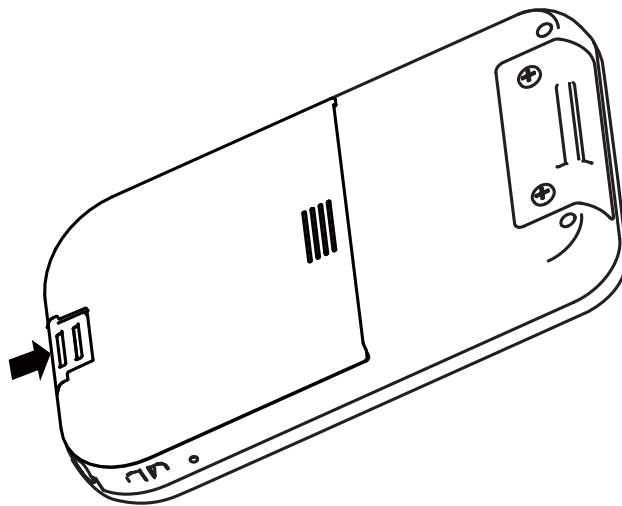


Lift up to remove the battery cover.

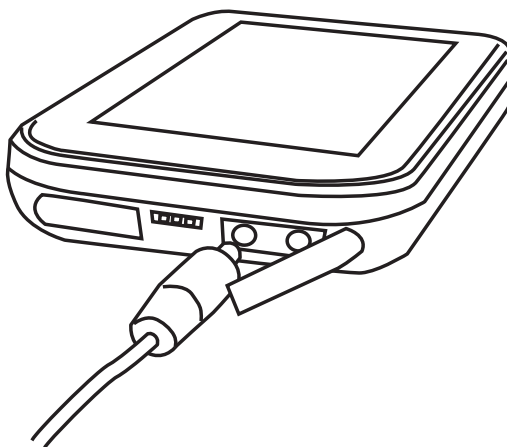
<p>2. Install the battery.</p>	 <p>Align the battery connectors on the battery with the pins in the battery compartment and insert the battery.</p>
<p>3. Replace the battery cover.</p>	 <p>Slide the battery cover back until it locks.</p>
<p>4. Install the screw if required.</p>	

5. Insert the plastic hinge, or attach the hand strap.

(Refer to Chapter 3 - Attaching the hand strap).



6. Charge the battery.



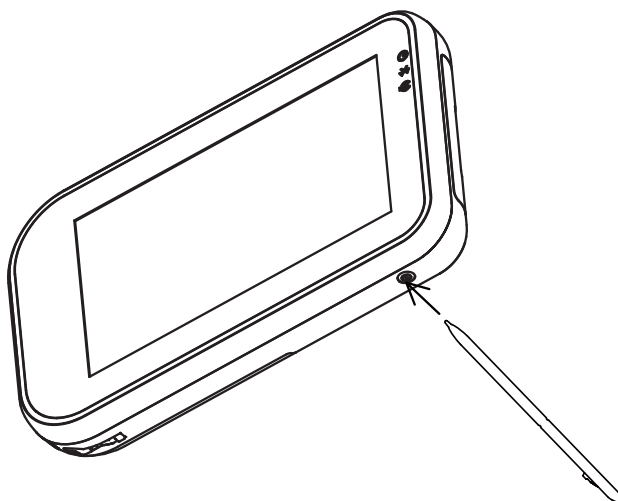
Open the power jack cover. Plug the AC adaptor power cord into an electrical outlet, then connect the DC plug of the adaptor cable to the OT-200. It takes approximately 6 hours to fully charge the battery for the first time. Subsequent charges might take longer.



To avoid damaging OT-200 or the AC adaptor, make sure all connectors are properly connected.

7. Press Power Button for five seconds to turn on OT-200.

- To turn off OT-200. Press Power Button for five seconds. At the prompt, tap Power Off.

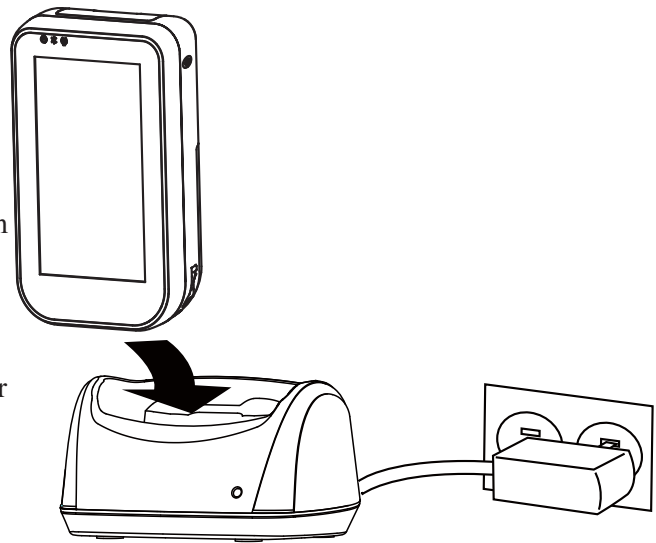


Using the cradle

The charging cradle allows a more convenient way to charge OT-200. You can charge a spare battery (optional) individually or simultaneously as well.

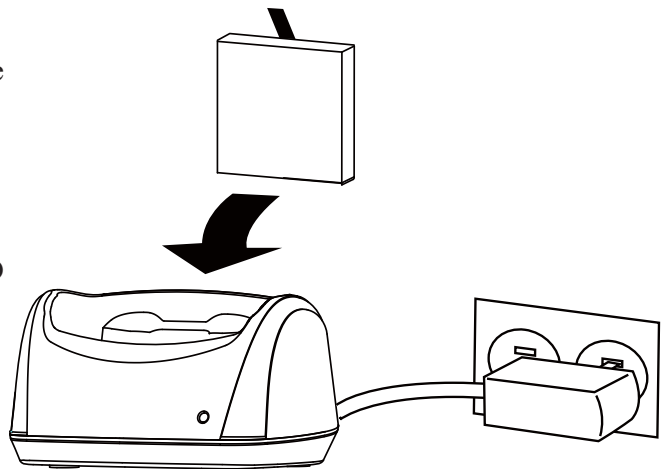
Charge the device in cradle

1. Plug the AC adaptor power cord into an electrical outlet, then connect the DC plug of the adaptor cable to the power jack at the back of cradle.
2. Insert OT-200 into the cradle with front of device on same side as front of cradle.
3. When device is inserted into cradle correctly, the Power LED on top left of device should turn red. Device charging is complete when the device Power LED turns green.



Charge the battery in cradle

1. Plug the AC adaptor power cord into an electrical outlet, then connect the DC plug of the adaptor cable to the power jack at the back of cradle.
2. Align the battery connectors on the battery with the pins in the second battery slot of the cradle, then install the battery in the direction of the arrow.
3. When battery is inserted into cradle correctly, the battery LED on the cradle should light up red. Battery charging is complete when the battery LED on the cradle turns green.



IMPORTANT

To protect and prolong the life of the battery, do not charge it for 24 hours or longer at a time.



IMPORTANT

If battery is not used, please store in dry area, ideally with storage temperature around 25°C, or within a temperature range of -10°C ~ 30°C to maximize longevity.

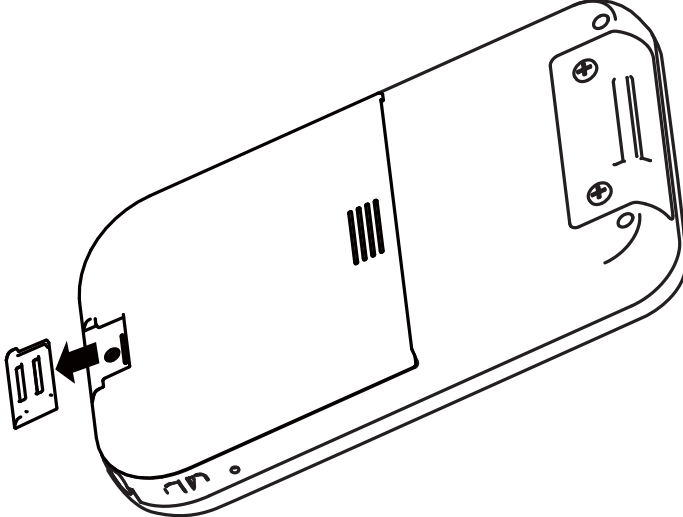
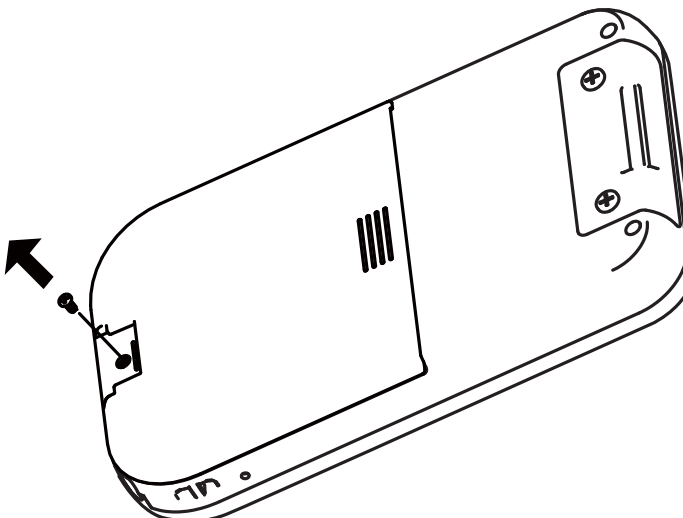


IMPORTANT

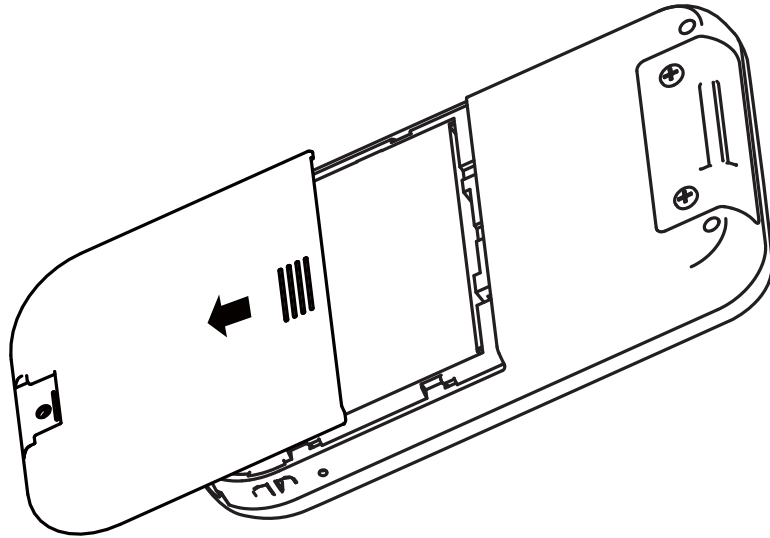
Please make sure to perform 3 complete full charge and discharge cycles to get optimal battery capacity. Failure to comply will result in shorter battery lifespan.

Changing the battery

Refer to the following to change the battery.

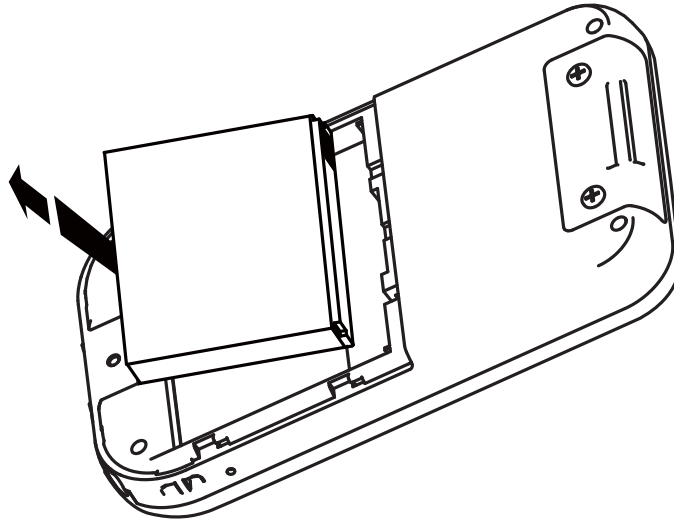
<ol style="list-style-type: none">1. Press the Standby button to turn off the OT-200.2. Remove the plastic hinge or the bottom of the hand strap.	 <p>Slide the plastic hinge or hand strap down and away from the battery cover.</p>
<ol style="list-style-type: none">3. Remove the screw if the battery cover is locked.	

4. Remove the battery cover.

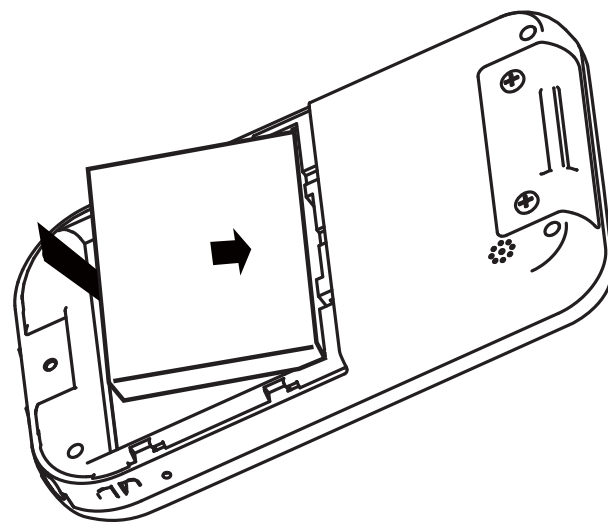


Slide the cover down, then lift up to remove.

5. Remove the battery by pulling on the plastic flap.

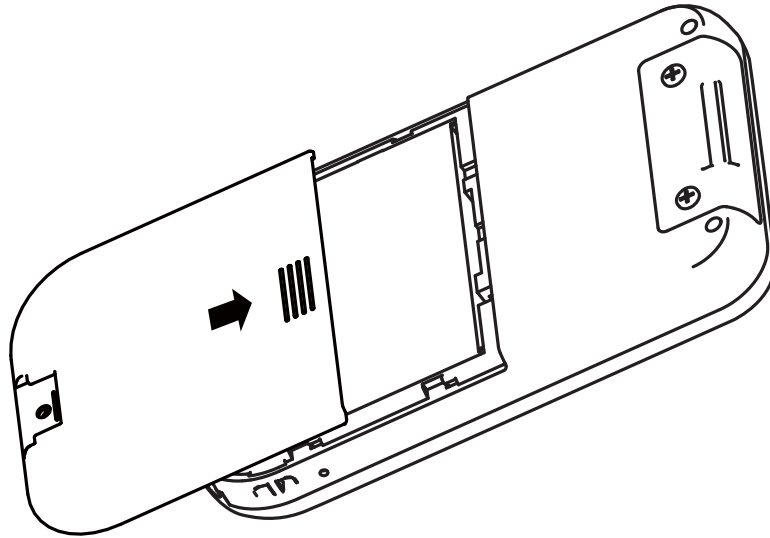


6. Install the new battery.



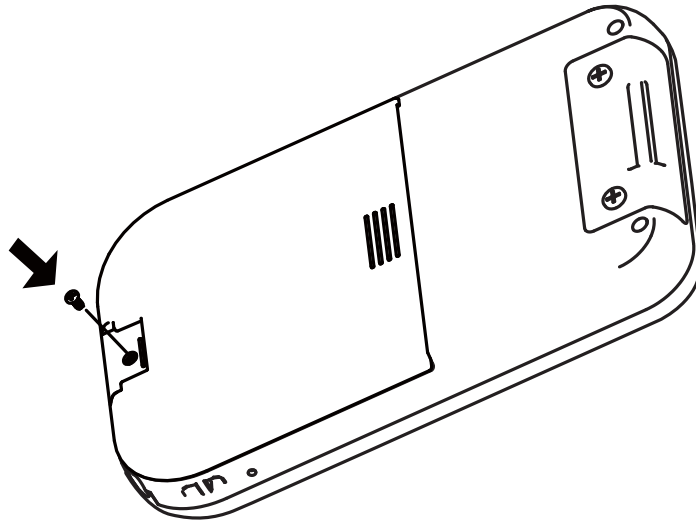
Align the battery connectors on the battery with the pins in the battery compartment and insert the battery.

7. Replace the battery cover.

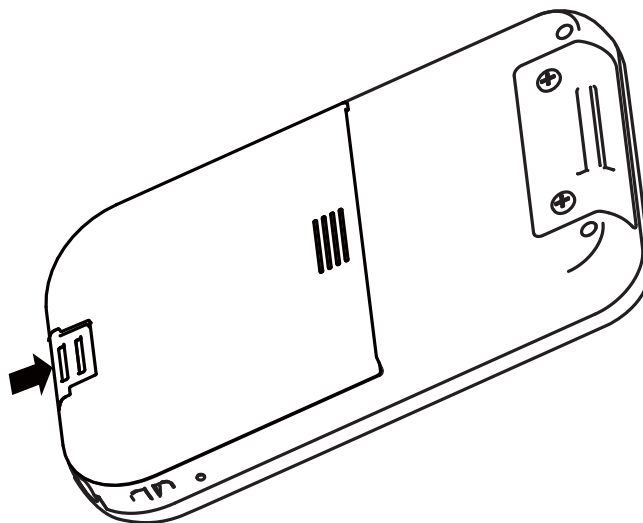


Slide the battery cover back until it locks.

8. Reinstall the screw.



9. Replace the plastic hinge or the bottom of the hand strap.



Using MicroSD cards

Use MicroSD cards for:

- Expanding the memory of the OT-200
- Adding functionality

The OT-200 supports SDHC MicroSD cards.

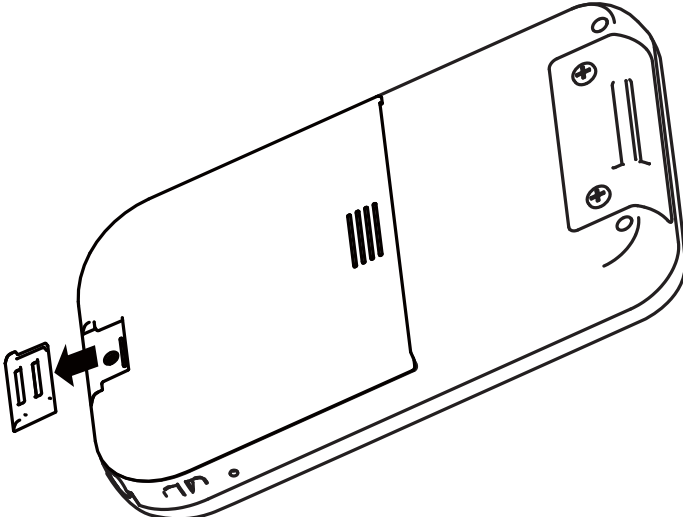
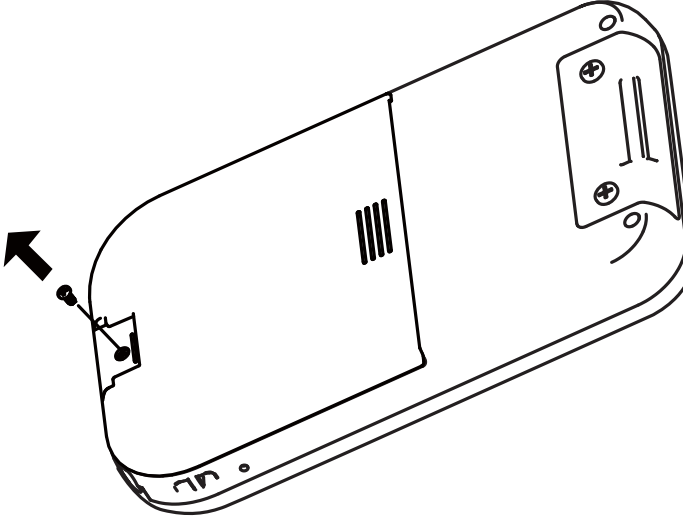


NOTE

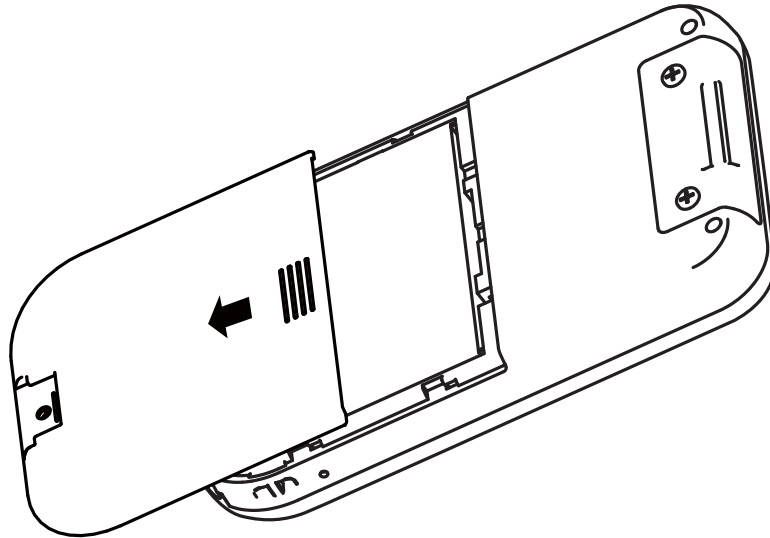
SD cards must be purchased separately and are not included with the OT-200.

Installing a MicroSD card

Refer to the following to install a MicroSD card.

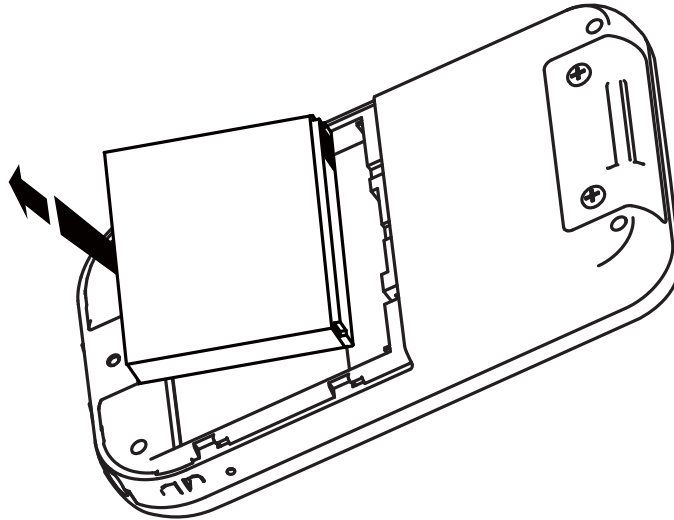
<ol style="list-style-type: none">1. Press the Standby button to turn off the OT-200.2. Remove the plastic hinge or the bottom of the hand strap.	 <p>Slide the plastic hinge or hand strap down and away from the battery cover.</p>
<ol style="list-style-type: none">3. Remove the screw if the battery cover is locked.	

4. Remove the battery cover.

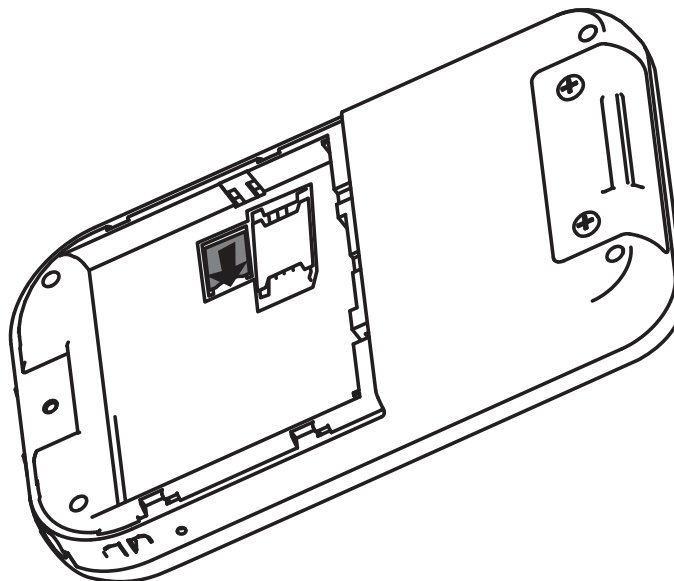


Slide the cover down, then lift up to remove.

5. Remove the battery by pulling on the plastic flap.

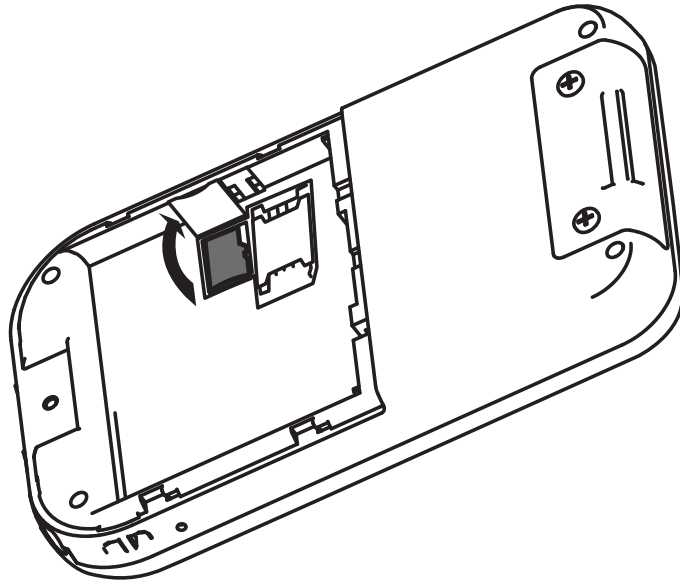


6. Slide the MicroSD slot clip horizontally to the open position.



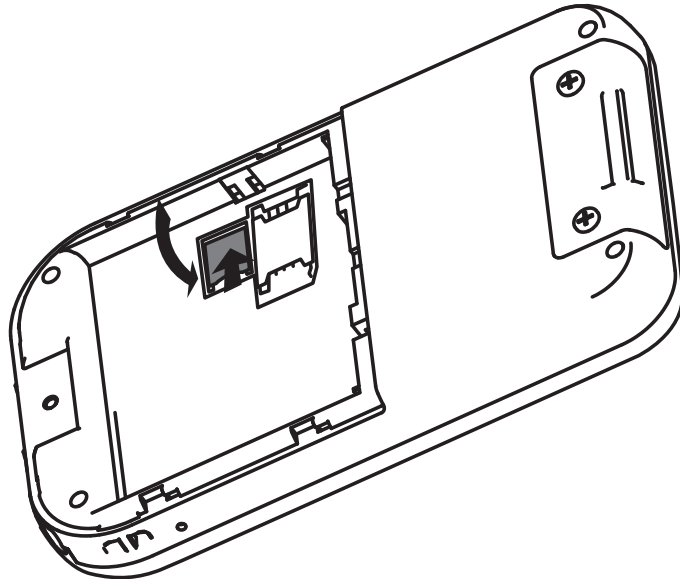
7. Flip the clip.

8. Insert the MicroSD card into the slot with the label facing out.





9. Flip the clip back down.

10. Slide the clip to lock it.




View the contents of a MicroSD card

Refer to the following to view the contents of a SD card.

<ol style="list-style-type: none">1. Tap  (Start)2. Tap File Explorer.	 <p>A screenshot of the Windows Mobile Start screen. The background is a dark, textured surface with water droplets. Various application icons are arranged on the screen, including Home, Calendar, Internet Explorer, Settings, Pictures & Videos, Alarms, Notes, Windows Media, Calculator, Tasks, and Office Mobile. The File Explorer icon, which is a yellow folder with a magnifying glass, is circled in red.</p>
<ol style="list-style-type: none">3. Tap Storage Card to see a list of files and folders. <ul style="list-style-type: none">• If the OT-200 does not recognize your MicroSD card, make sure you have firmly inserted the MicroSD card into the slot.	 <p>A screenshot of the File Explorer application. The title bar reads "File Explorer" and the time is 6:23. A "Show" dropdown menu is open, and the "Storage Card" option is highlighted with a red box. Below the menu, a list of folders is displayed, including "My Device", "Documents an...", "MUSIC", "My Documents", "Program Files", "Storage Card", "Temp", and "Windows". The "Storage Card" folder is also highlighted with a red box.</p>

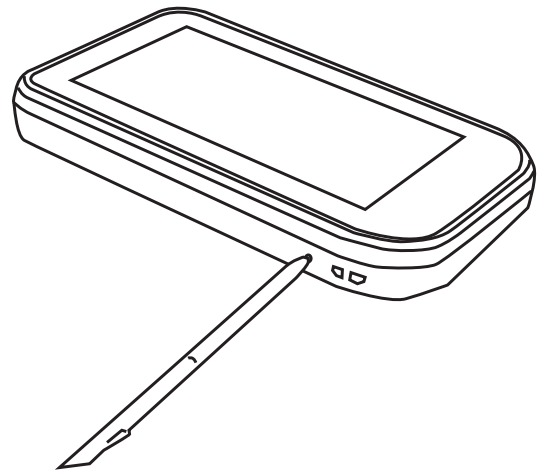
Performing a reset

A reset stops all running applications, but does not erase any programs, saved data, or registry information.



NOTE

Be sure to close all running applications before performing a reset.




To perform a reset:

1. Locate the recessed Reset button on the device.
2. Use the stylus to lightly press the Reset button.

Opening and closing programs



You do not need to exit a program to open another or to conserve memory. The system manages memory automatically.

To open a program, tap , and then select the required program from the desktop.

In most cases, tap  will close an application.

Status icons

There are status icons in taskbar. The following table lists the icons and their meanings.

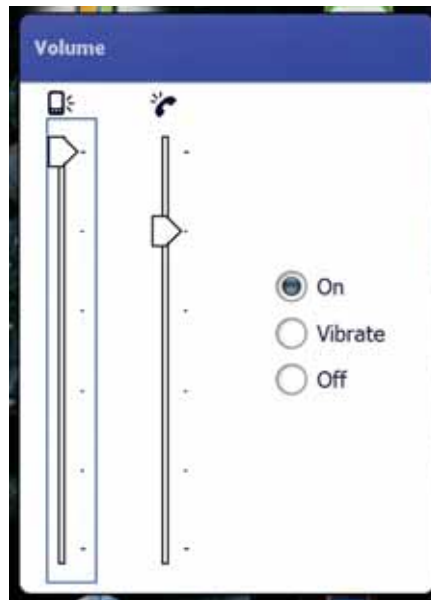
Icon	Status
	Battery charging
	Battery level low
	Battery level critical
	WiFi connected
	WiFi not connected
	USB connected

Adjusting the volume

1. Tap the status bar.
2. Tap the Speaker icon.



3. Move the system/ phone volume slider on the screen to the required volume level. Also you can switch to On/ Vibrate or Off.
4. Tap the OK button.

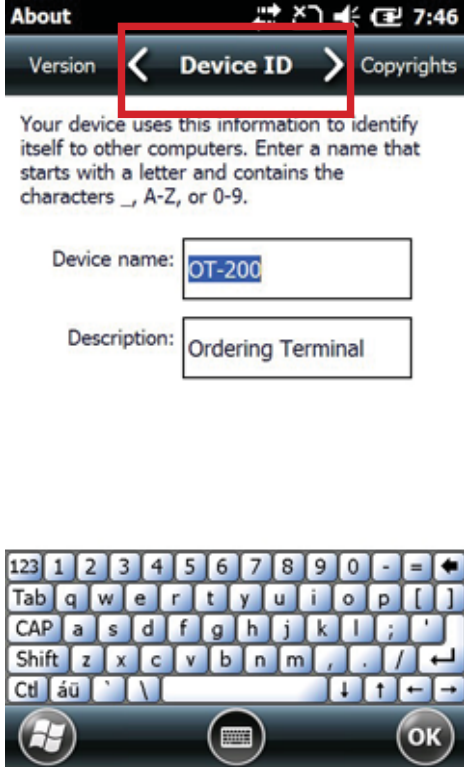


Changing the device name

The device name is used to identify the OT-200 in the following situations:

- Connecting with a computer
- Connecting to a network

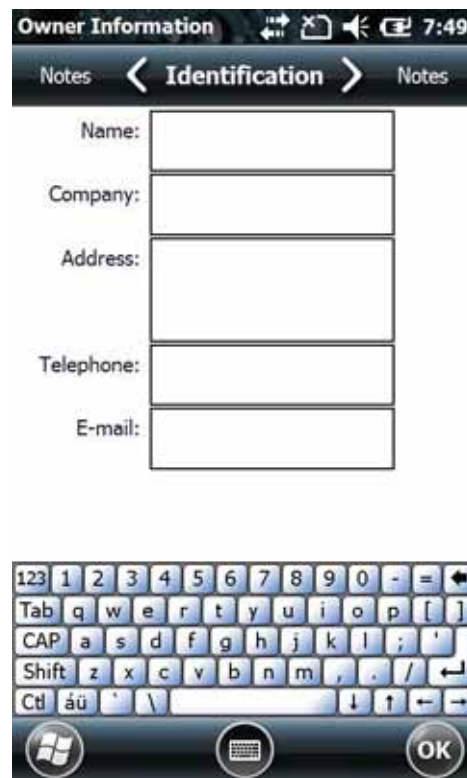
Refer to the following to change the device name.

<ol style="list-style-type: none">1. Tap Start → Settings → System → About.2. Select the Device ID tab.3. Enter a name. The device name must begin with a letter, consist of letters from A to Z and numbers from 0 to 9, and should not contain spaces.4. Tap the OK button.	 <p>The screenshot shows the 'About' screen on a Windows Mobile device. At the top, there are navigation tabs: 'Version', 'Device ID', and 'Copyrights'. The 'Device ID' tab is selected and highlighted with a red box. Below the tabs, there is a text prompt: 'Your device uses this information to identify itself to other computers. Enter a name that starts with a letter and contains the characters _, A-Z, or 0-9.' Below this prompt are two input fields: 'Device name:' with the text 'OT-200' and 'Description:' with the text 'Ordering Terminal'. At the bottom of the screen, there is a virtual keyboard and a navigation bar with 'OK' and 'Cancel' buttons.</p>
--	---

Entering owner information

Enter your personal information, such as your name and address, so that the OT-200 can be returned to you if it is lost. Refer to the following to enter the information.


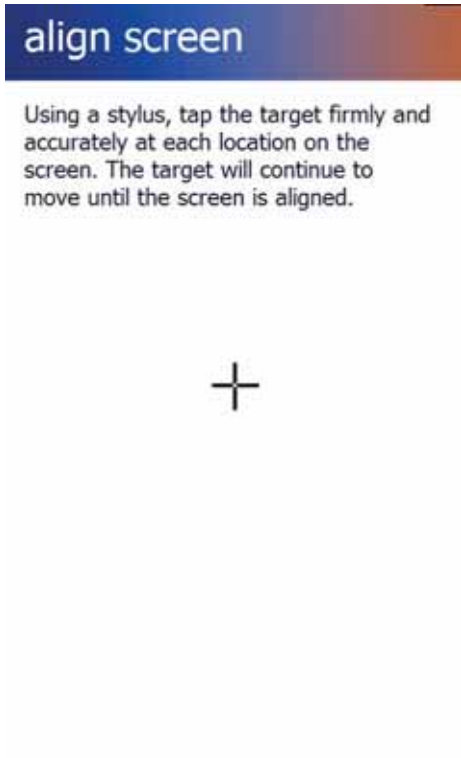
1. Tap Start → Settings → Personal → Owner Information.
2. On the Identification tab, enter your personal information.



The screenshot displays the 'Owner Information' application interface. At the top, the title bar reads 'Owner Information' with system icons and the time '7:49'. Below the title bar is a navigation bar with 'Notes' on the left, 'Identification' in the center (highlighted with left and right arrows), and 'Notes' on the right. The main content area contains five labeled input fields: 'Name:', 'Company:', 'Address:', 'Telephone:', and 'E-mail:'. Each label is followed by a rectangular text entry box. At the bottom of the screen, a virtual QWERTY keyboard is shown, and below it are three circular navigation buttons: a Windows logo, a keyboard icon, and an 'OK' button.


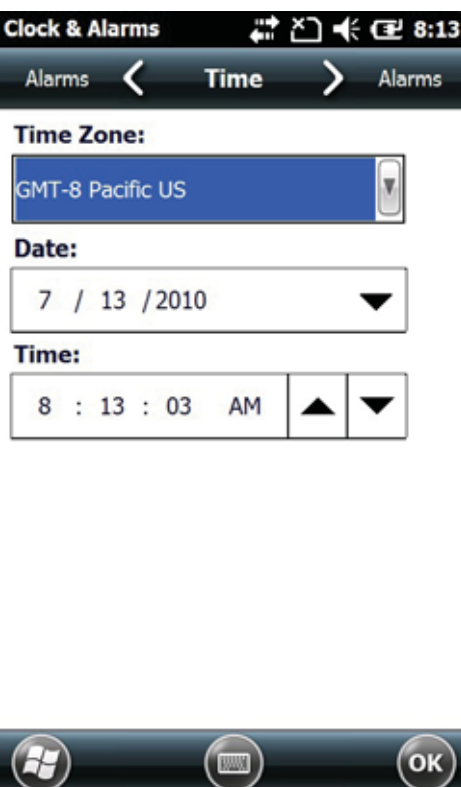
Recalibrating the screen

If your stylus seems to be out of sync with the screen, then recalibrate the screen using your stylus.

<ol style="list-style-type: none">1. Tap Start → Settings → System → Screen.2. On the General tab, tap the Align Screen button.	
<ol style="list-style-type: none">3. Follow the displayed instructions to recalibrate. Please use the stylus to calibrate the screen for better accuracy.	





Setting the date and time

Refer to the following to set date and time.

<ol style="list-style-type: none">1. Tap the status bar.2. Tap the Clock icon.	 <p>A screenshot of a Windows Phone home screen. The background is a dark image of water droplets. At the top, the status bar shows various icons and the time 8:09. Below the status bar, there are icons for pictures, music, E-mail, calendar, and favorites. At the bottom, there are buttons for the Windows logo, Clock, and Messaging. A red box highlights the status bar, and a yellow box highlights the clock icon in the status bar.</p>
<ol style="list-style-type: none">3. Change the date or time and select the correct time zone.4. Tap the OK button.	 <p>A screenshot of the 'Clock & Alarms' application in the 'Time' settings section. The screen shows the following options:<ul style="list-style-type: none">Time Zone: A dropdown menu currently set to 'GMT-8 Pacific US'.Date: A dropdown menu currently set to '7 / 13 / 2010'.Time: A time picker currently set to '8 : 13 : 03 AM'.At the bottom of the screen, there are three buttons: the Windows logo, a keyboard icon, and an 'OK' button.</p>

Turning WiFi, Bluetooth on or off

Refer to the following to turn WiFi, Bluetooth on or off.

<p>1. Tap the status bar.</p> <p>2. Tap  or  icon.</p>	
<p>3. Tap Wireless Manager.</p>	
<p>4. Use the Wireless Manager control panel to turn on/off WiFi, Bluetooth .</p>	

Setting the screen orientation

Refer to the following to set the screen orientation.

1. Tap Start → Settings → System → Screen.
2. On the General tab select Portrait or Landscape.



Portrait



Landscape



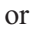

Connecting to a WiFi network

With wireless access, you can connect the device to the Internet. The OT-200 can connect to an IEEE 802.11b/g device or connect directly to other WiFi-enabled devices.

Automatically connect to a WiFi network

When you turn on the WiFi radio, OT-200 automatically detects WiFi networks that are broadcasting their signals (SSID network name). If your WiFi network is not set to broadcast SSID, then you have to connect to it manually. Before trying to connect to a WiFi network, determine if authentication information is needed by contacting your network administrator.

To automatically connect to a WiFi network:

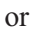
<ol style="list-style-type: none">1. Turn on the WiFi.2. Double tap  or  on the taskbar.	
<ol style="list-style-type: none">3. Select the Wireless Information tab.4. Select an available network.5. Tap the Connect button.	

<p>6. Set the properties. Normally, all settings will be detected automatically. If necessary, you can change settings as follow.</p> <ul style="list-style-type: none"> • To use data encryption, select an encryption method from the Encryption list. • To use authentication, select the authentication method from the Authentication list. <p>7. Tap the OK button.</p>	
---	--

Manually connect to a WiFi network

A wireless network can be added manually by entering the settings information to add the network. Contact your network administrator to determine if authentication information is needed before trying to connect to a WiFi network.


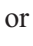
To manually connect to a WiFi network:

<ol style="list-style-type: none"> 1. Turn on the WiFi. (refer to P.29) 2. Double tap  on the taskbar. 	
<ol style="list-style-type: none"> 3. Select the Wireless Information tab. 4. Tap Add New... 	

<ol style="list-style-type: none"> 5. Set the properties. 6. Enter the SSID. <ul style="list-style-type: none"> • To use data encryption, select an encryption method from the Encryption list. • To use authentication, select the authentication method from the Authentication list. 7. Tap the OK button. 	
---	--


Find your IP address

To find your IP address:

<ol style="list-style-type: none"> 1. Double tap  or  on the taskbar. 	
<ol style="list-style-type: none"> 2. The WiFi IP address is displayed at the IP Information tab. 	

Specify the IP address and domain name servers (DNS)

The IP address and name server addresses are automatically assigned if DHCP is enabled on the wireless access point or network server. If your network does not automatically assign the addresses, ask your network administrator for the information and follow the instructions below.

<ol style="list-style-type: none"> 1. Tap  → Settings → Control Panel. 	
--	--

<p>2. Double tap the Network and Dial-up Connections icon.</p>	
<p>3. Double tap the WiFi connection icon.</p>	
<p>4. Tap <i>Specify an IP address</i>.</p> <p>5. Enter <i>IP address, Subnet Mask, Default Gateway</i>.</p>	
<p>6. Tap the <i>Name Servers</i> tab on top</p> <p>7. Enter the DNS or WINS addresses.</p> <p>8. Tap the OK button.</p>	

Lock OT-200

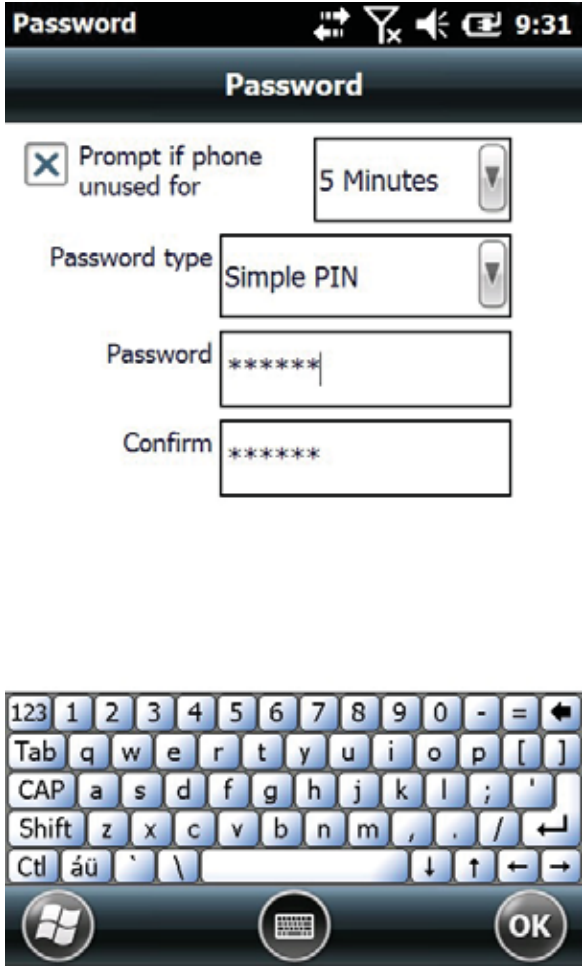

Lock OT-200 with a personal identification number (PIN) or password to help keep sensitive information private.



NOTE

To change the password, you must first enter the existing password.

To create or change the password

<ol style="list-style-type: none">1. Tap Start → Settings → Lock2. Select the Prompt if phone unused for check box.3. Tap the list next to the Prompt if phone unused for check box, and then tap the amount of time that you want.4. Tap the Password type list box, and then tap the type of password you want.<ul style="list-style-type: none">• Simple PIN is a 4-digit password that uses only the numbers 0-9.• Strong alphanumeric is a password that can have uppercase and lowercase letters, numbers, and symbols, such as punctuation marks.5. Tap the Password box, and then enter the password you want to use.6. Tap the Confirm Confirm password box, and then enter the password you want to use again.7. Tap OK Done.	
<ol style="list-style-type: none">8. At the prompt, tap Yes.	

Unlock OT-200

You use the personal identification number (PIN) that you created to unlock OT-200.

To unlock your phone

1. Drag the lock slider to either edge of the screen.

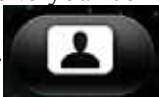


2. If you use a password, enter the password, and then click the icon for where you want to go:

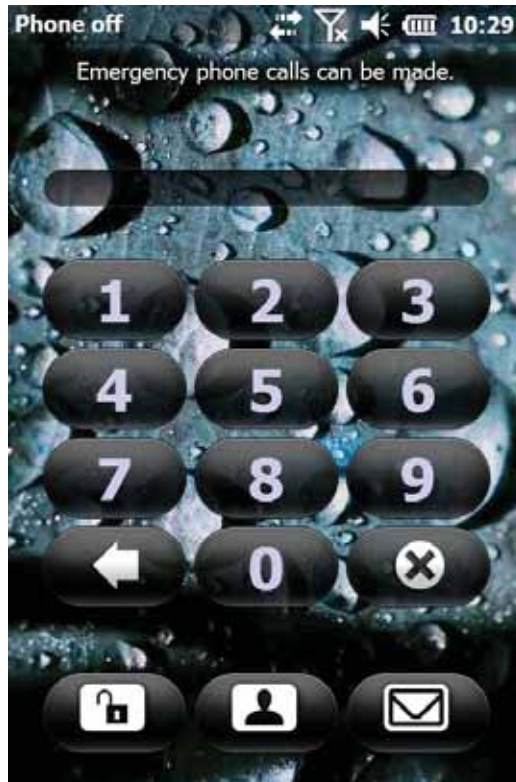
- To go to the Desktop screen, tap Unlock.



- To go to your contacts, tap Con-
tacts.



- To go to your e-mail, tap E-mail.



Synchronization

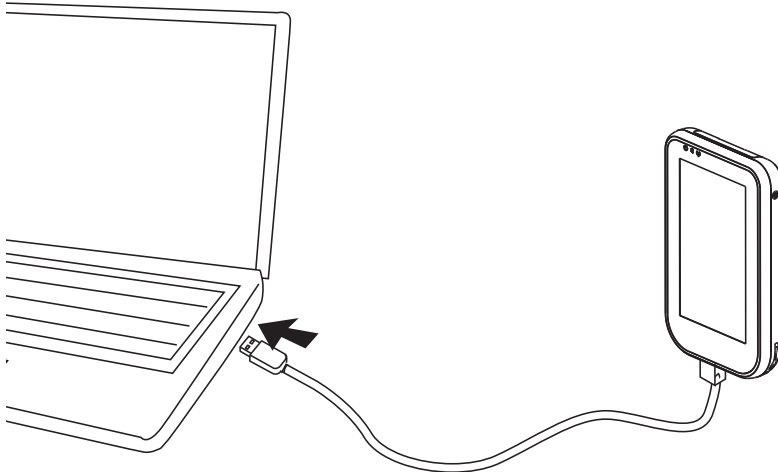
By synchronizing OT-200 with your computer, you have access to the same information—your Microsoft Office Outlook e-mail messages and calendar, your media files, your work documents, and more—on OT-200 or your computer. It's a good idea to synchronize regularly.

Before you begin, get the Mini-USB to USB cable, you'll use it to download and install a program that syncs content between OT-200 and your computer.

If your computer is running Windows Vista or 7, synchronization settings are managed through Windows Mobile Device Center (WMDC). You can also visit <http://www.microsoft.com/windowsmobile> to download WMDC.

Synchronize your data with ActiveSync and Windows XP

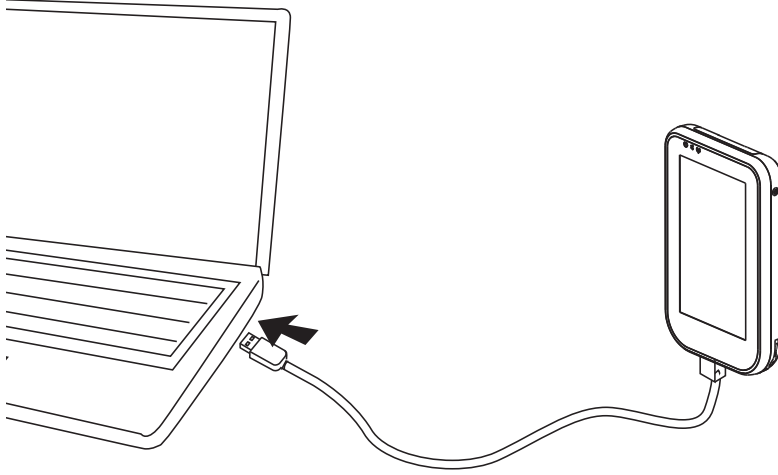
1. Install Microsoft ActiveSync. If your computer is running Windows XP or an earlier version, synchronization settings are managed through Microsoft ActiveSync. You can visit <http://www.microsoft.com/windowsmobile> for more information or to download Microsoft ActiveSync.
2. Download and install ActiveSync on your computer.
3. Plug OT-200 into the computer by using a Mini-USB to USB cable.



4. Sync your e-mail, contacts, and calendar appointments (if you use the calendar in your e-mail account).
5. Sync your music, photos, videos, and other files.

Synchronize your data with ActiveSync and Windows Vista/ 7

1. Download and install WMDC on your computer. If your computer is running Windows Vista or 7, synchronization settings are managed through Windows Mobile Device Center (WMDC). You can also visit <http://www.microsoft.com/windowsmobile> to download WMDC.
2. Plug OT-200 into the computer by using a Mini-USB to USB cable.



3. Sync your e-mail, contacts, and calendar appointments (if you use the calendar in your e-mail account).
4. Sync your music, photos, videos, and other files.

Copy or move files between the computer and OT-200

You can copy files to and from the computer using ActiveSync.

To copy or move files using ActiveSync (Windows XP):

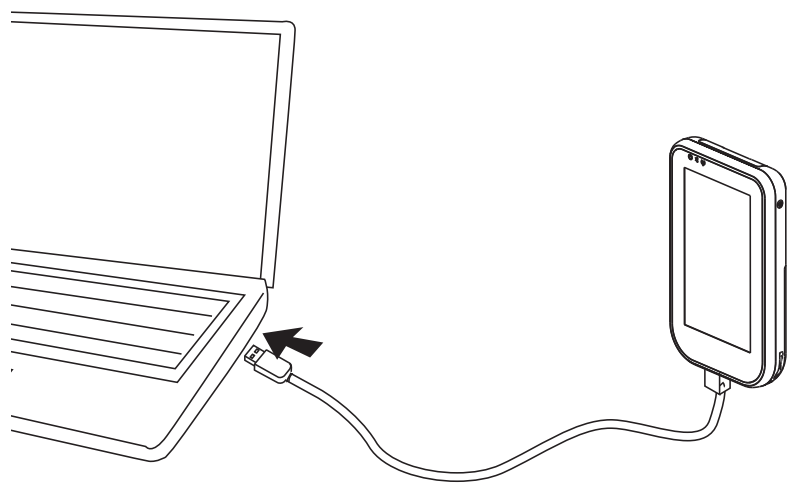
1. Connect OT-200 to the computer using a Mini-USB to USB cable.
2. On the computer, select Start > Programs > ActiveSync.
3. In the ActiveSync window, select Explore.
4. Double-click My Windows Mobile-Based Device.
5. Open Windows Explorer on your computer and locate the files to be copied.
6. Right-click the file that you want to copy or move, then click Copy or Cut.
7. Scroll to and then click Mobile Device, open the folder to or from which you want to copy or move a file. Right-click in the folder that you want to move it to, and then click Copy, Cut, or Paste.
8. If the File Conversion dialog box appears, click OK.

To copy or move files using WMDC (Windows Vista/ 7):


1. Connect OT-200 to the computer using a Mini-USB to USB cable and wait for WMDC to launch automatically.
2. Click File Management to open the Mobile Device folder for OT-200.
3. In the Mobile Device folder, navigate and select the file that you want to copy on OT-200 or computer.
4. Right-click the file that you want to copy or move, then click Copy or Cut.
5. Scroll to and then click Mobile Device, open the folder to or from which you want to copy or move a file. Right-click in the folder that you want to move it to, and then click Copy, Cut, or Paste.
6. If the File Conversion dialog box appears, click OK.

Install and remove programs

To install programs on the OT-200:

<ol style="list-style-type: none">1. Use a Mini-USB to USB cable to connect the OT-200 to the computer.2. Follow the instructions in the Installation Wizard provided with the program you want to install.3. Check the screen on the OT-200 to see if any further steps are necessary to complete the program installation.	 A line drawing of a laptop on the left and a handheld device (OT-200) on the right. A cable with a Mini-USB connector on the laptop side and a standard USB connector on the OT-200 side is shown connecting them. An arrow points to the Mini-USB connector on the laptop.
--	--

To remove programs from the OT-200:

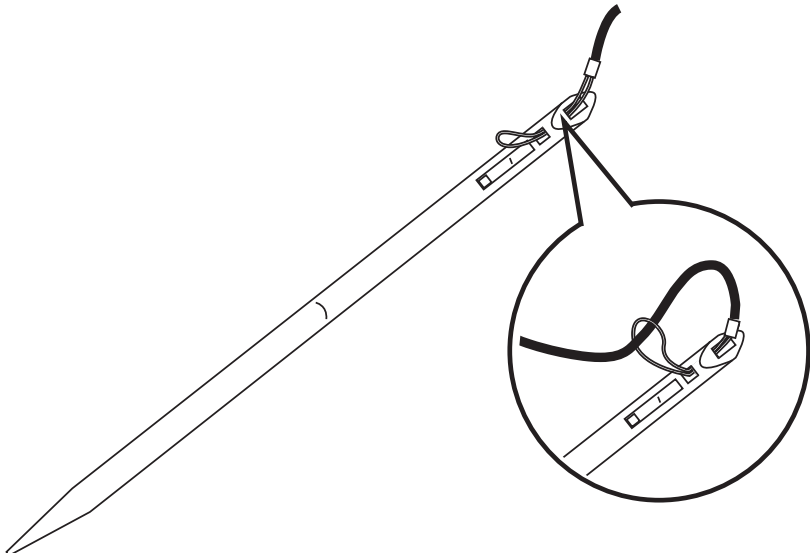
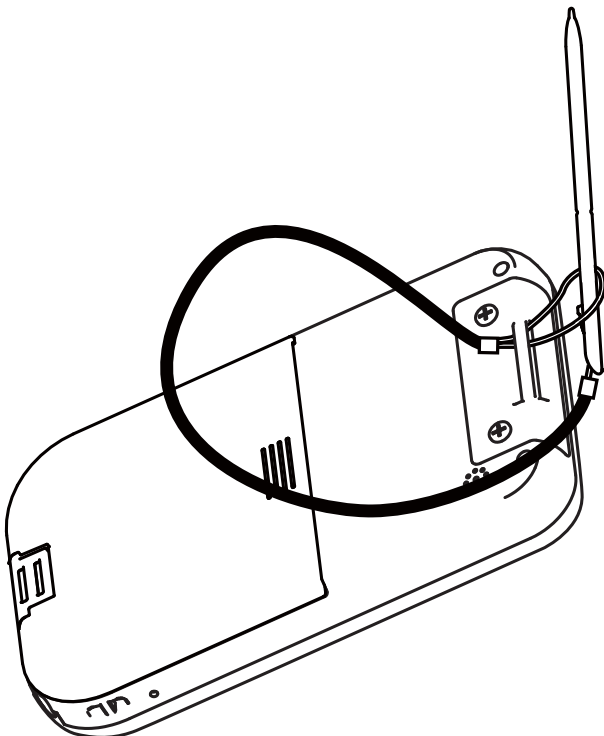
<ol style="list-style-type: none">1. Tap Start → Settings → System → Remove Program.2. Select the check boxes for programs you want to remove, and then tap Remove.	 A screenshot of the 'Remove Programs' interface on the OT-200. At the top, there's a title bar with 'Remove Programs' and system icons (back, home, volume, battery, time 10:45). Below the title bar is a 'Remove' button. The main area is titled 'Programs in storage memory:' and contains a list box with 'MobileXP LEDCtrl'. Below the list box is another 'Remove' button. At the bottom, it says 'Total storage memory available: 103176K'. The bottom navigation bar has three icons: a Windows logo, a 'REMOVE PROGRAMS' button, and an 'OK' button.
--	---

This chapter describes how to use the device accessories.

-
-
-
-
-

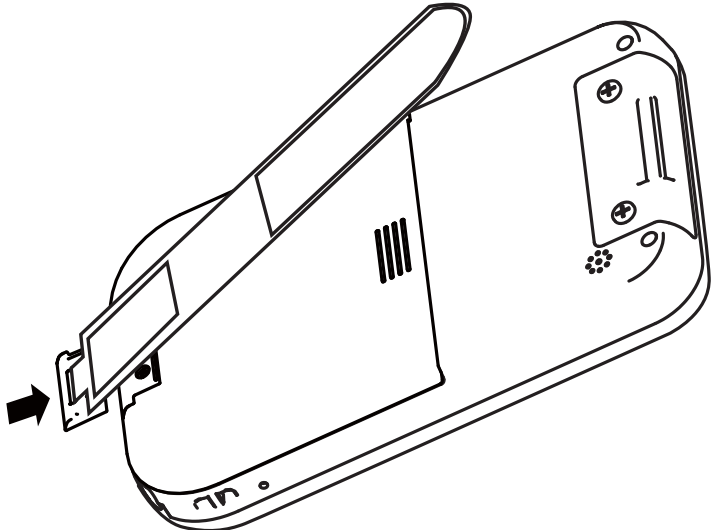
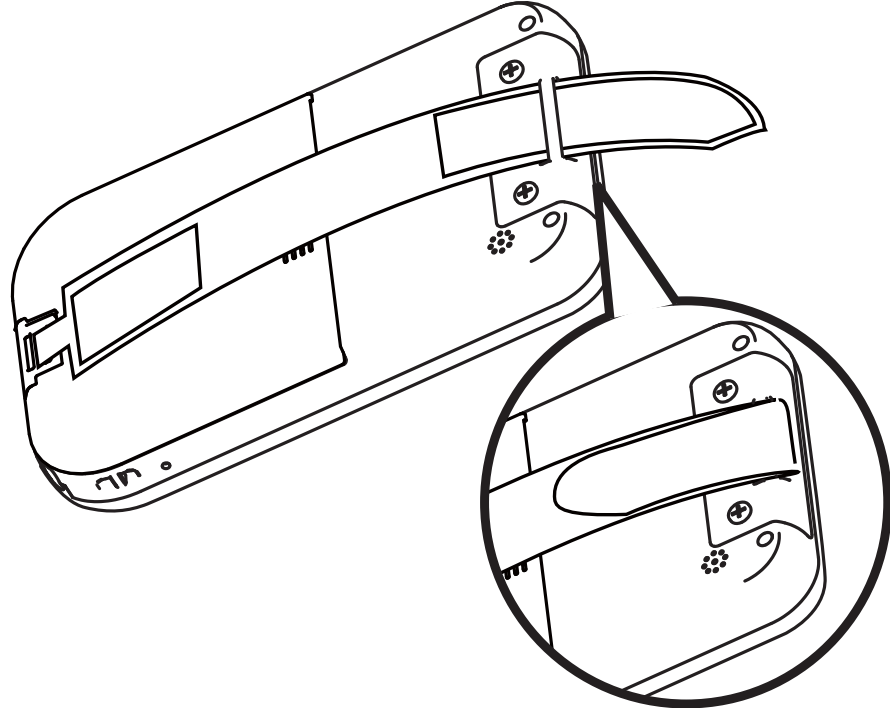
Attaching the stylus cord

Refer to the following to attach the stylus cord.

<p>1. Thread the small loop of the stylus cord through the strap eyelet on the stylus and pull the other end of the cord through the small loop until the cord is firmly secured.</p>	
<p>2. Thread the other small loop of the stylus cord through the top hand strap eyelet on the device and use stylus pull the cord through the small loop until the cord is firmly secured.</p>	

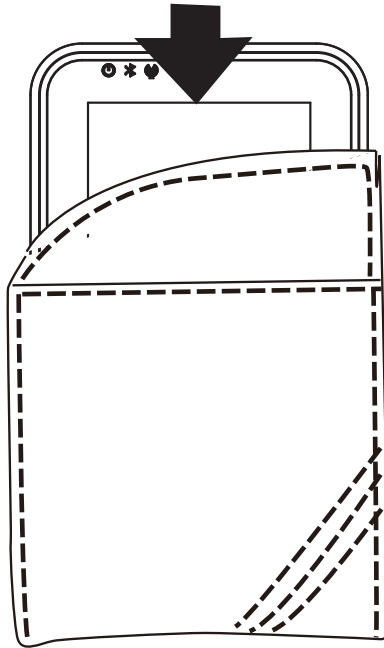
Attaching the hand strap

Refer to the following to attach the hand strap.

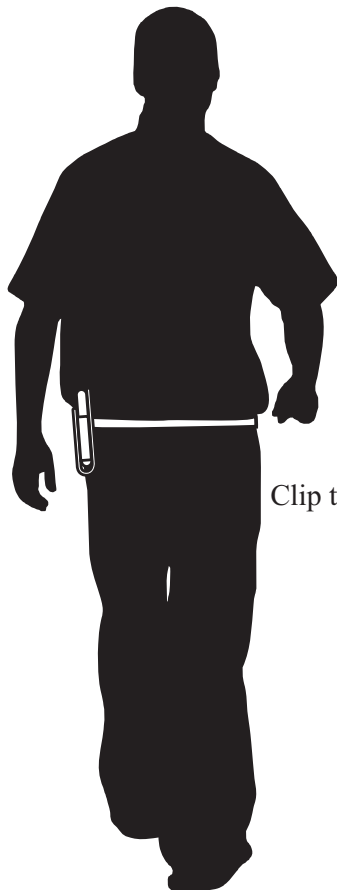
<p>1. Insert the bottom of the hand strap into the slot at the bottom of the battery cover, until it clicks into place.</p>	 A line drawing of a handheld device with its battery cover open. A hand strap is being inserted into a slot at the bottom of the battery cover. A black arrow points to the bottom edge of the strap as it enters the slot.
<p>2. Thread the end of the hand strap through the top hand strap eyelet on the device then fold and stick together.</p> <ul style="list-style-type: none">• The hand strap length can be adjusted by sticking the Velcro to a higher or lower position on the strap.	 A line drawing of the handheld device with the hand strap attached. The strap is threaded through a top eyelet and folded over itself. A circular inset provides a magnified view of the top eyelet area, showing the strap being secured.

Using the leather pouch

Using the leather pouch to carry the OT-200 is a good way to keep it protected. Simply insert the device into the leather pouch as shown below.



A belt clip located on the back of the leather pouch allows you to wear the OT-200 on your side. In addition, a shoulder strap can be attached to the two integrated rings on the back side.



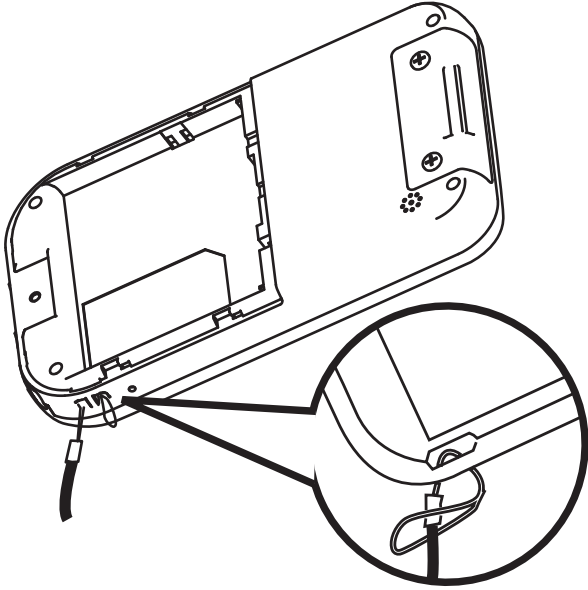
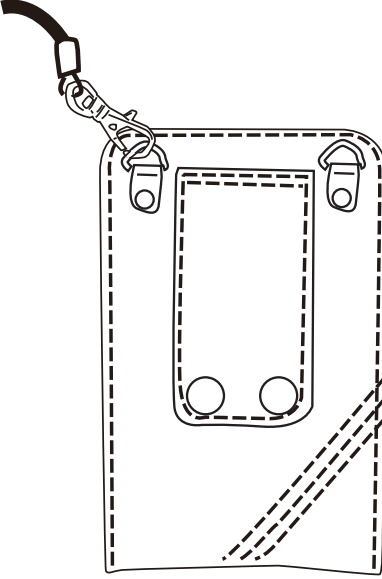
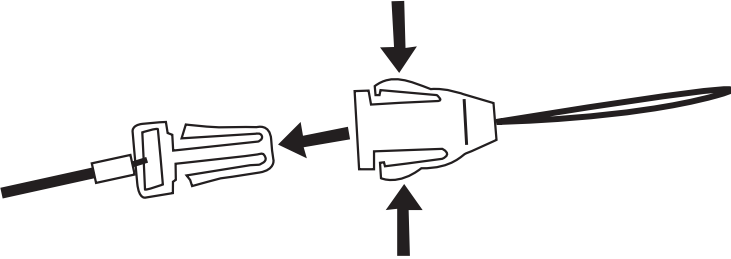
Clip to your belt



Shoulder strap is adjustable

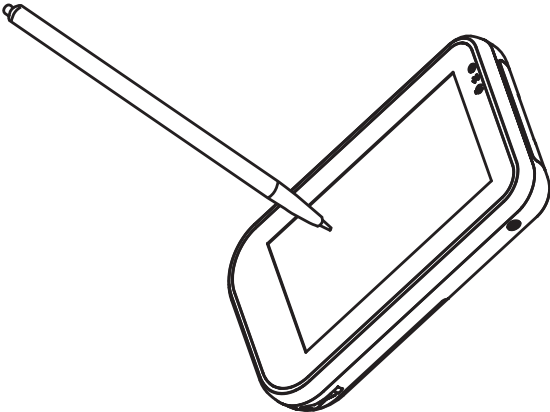
Attaching the leather pouch cord

A leather pouch cord is provided to attach device to the leather pouch.

<ol style="list-style-type: none">1. Open the battery cover.2. Thread the small loop of the cord through the bottom corner strap eyelet on the device. Pull the other end of the cord through the small loop until the cord is firmly secured.3. Replace the battery cover.	
<ol style="list-style-type: none">4. Lock the other end of the cord to one of the rings on the back of the leather pouch.	
<ol style="list-style-type: none">5. To insert device into cradle for charging, simply detach as shown.	

Using the high quality stylus

A high quality stylus is included for your convenience.



This appendix describes locating and solving problems that you may encounter while using the OT-200.

Troubleshooting

Often after time spent troubleshooting, the problem is traced to something as simple as a loose connection. Check the following before proceeding to the problem-specific solutions.

Tips for Troubleshooting

In each problem-specific section, try the steps in the order suggested. This may help you to solve the problem more quickly. Try to pinpoint the problem and thus avoid replacing non-defective parts. For example, if you replace batteries and the problem remains, put the original batteries back and go to the next step.

Keep a record of the steps you take when troubleshooting: The information may be useful when calling for technical support or for passing on to service personnel.

General Problems

Refer to the following for general problems you may encounter.

PROBLEM	SOLUTION
You cannot turn on the device	<ul style="list-style-type: none"> • Plug AC adaptor directly into device to check device is functioning. If device functions properly, then issue may be with the battery. • Check that the battery is fully charged and properly installed into device.
You have trouble charging the battery	<ul style="list-style-type: none"> • Check that the AC adaptor is plugged in correctly to the DC jack on the device, and the other end into the wall outlet. • If using the cradle for charging, check that the AC adaptor is plugged in correctly to the cradle and the wall outlet. • Check for damage to the power cables. • If battery has been used extensively and is old, replace with new battery and try again.
You have trouble connecting to the Internet	<ul style="list-style-type: none"> • Check that device is connected to a WiFi network with the correct network key (password). • Check if the WiFi network provides an IP address automatically via DHCP. If not, contact your network administrator for the relevant IP address, subnet, gateway, and DNS servers, which you need to enter manually.

<p>Why does the device operate slowly at times?</p>	<ul style="list-style-type: none"> • Reset device. Does problem remain? If this solves problem, check if user installed applications are causing system to slow down. • Check that enough free storage memory remains on device, so that device operates smoothly and efficiently. • If device shows low storage memory, delete unnecessary files, or transfer files to MicroSD card.
---	--

Having the OT-200 Serviced

If you are unable to solve the problem, you should have the device serviced. Pack the device in the original box. (See “Unpacking the OT-200” on page 1.) Include a description of the problem and a checklist of the steps you took when trying to fix the problem. The information may be useful to the service personnel. Return the device to the place you purchased it.

Guidelines for care and maintenance

It is recommended that you follow certain guidelines to prevent possible damage to the device and to keep it in a good condition.

Using the device

- Avoid using the device in dusty and extremely high or low temperature environments.
- Do not spill water on the device or expose it to the rain.
- Avoid removing the battery without turning off the device.
- Do not apply strong force or shocks to the device.
- Keep the device and its accessories away from children.
- Do not insert metal objects into the charging/communications port of the device. This can short-circuit the battery and result in danger.

Cleaning the device

- Use a soft, clean, and slightly moistened cloth to clean the device. Do not let water come into contact with the microphone, speaker, or with any of the connectors.
- Do not wipe the device with any corrosive liquid or coarse objects. This can damage the outer surface of the device.

Transporting and storing the device

- Do not leave the device in extremely high or low temperature environments.
- If device is to be transported or stored for a long period of time, please remove the battery, and store both device and battery in a cool, dark, and dry place. Ideally, batteries should be stored at around 25°C, or within a temperature range of -10°C ~ 30°C to maximize longevity. Batteries in storage need to be charged every 3 months to prevent battery degradation
- Batteries in storage need to be charged every 3 months to prevent battery degradation.

Specifications

CPU	Samsung S3C6410 667 MHz processor
Operating System	Microsoft® Windows™ Mobile 6.5 Professional
Display	4.3" TFT LCD with Touch Screen, widescreen 800*480
Memory	256MB Flash, 256MB SDRAM
Communication	WiFi 802.11 b/g Bluetooth 2.0 class 2
Telecom standards (option)	EDGE
GPS (option)	Atheros
Extension slot	microSD card (supports SDHC)
Interface	Mini-USB 2.0
Other	G-sensor (for auto-rotation) Vibrator motor (for alerts) Internal microphone Speaker Earphone jack (3.5mm) Microphone jack (2.5mm)
Features	Wireless roaming 5510 Lock Battery cover safety protection Remote Desktop Lock screen
Ruggedness	IP54 1.2 meters drop tested
Environmental	Operating temperature: 0°C to 40°C Storage temperature: -20°C to 60°C
Battery	Rechargeable Li-ion battery 2300mAh (removable)
Dimensions (WxLxH)	82 *133 * 19 mm
Weight	Approximately 245g with battery
Optional modules	MSR module (Track 1, 2, 3) Barcode scanner module (1D/2D)
Accessories	AC adaptor, Cradle, Battery Stylus cord, Hand strap, Leather pouch, Leather pouch cord, Shoulder strap, High quality stylus
Certifications	RF: FCC / CE / SRRC / NCC (for WiFi 802.11 b/g, Bluetooth) EMC: FCC / CE / 3C / BSMI / VCCI Safety: 3C / BSMI / CB (IEC60950-1:2005 / EN60950-1:2001, 1st ed.)

