


Technical Support

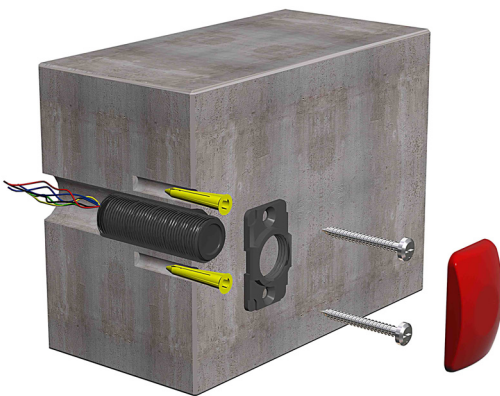
 1.800.672.PAXT

 support@paxton-access.com

Technical help is available: Monday - Friday from 12:00 AM - 5:00 PM (PST)
Saturday from 1:00 AM - 5:00 AM (PST)

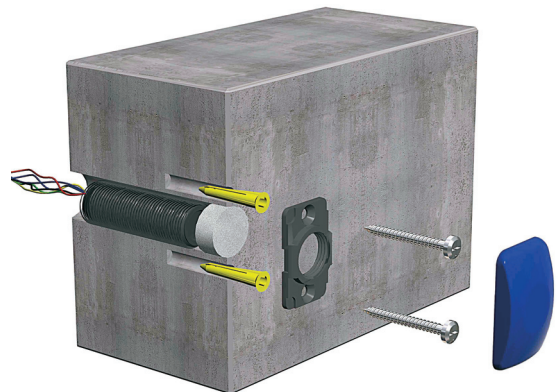
Documentation on all Paxton products can be found on our web site - <http://www.paxton-access.com/>

Fitting



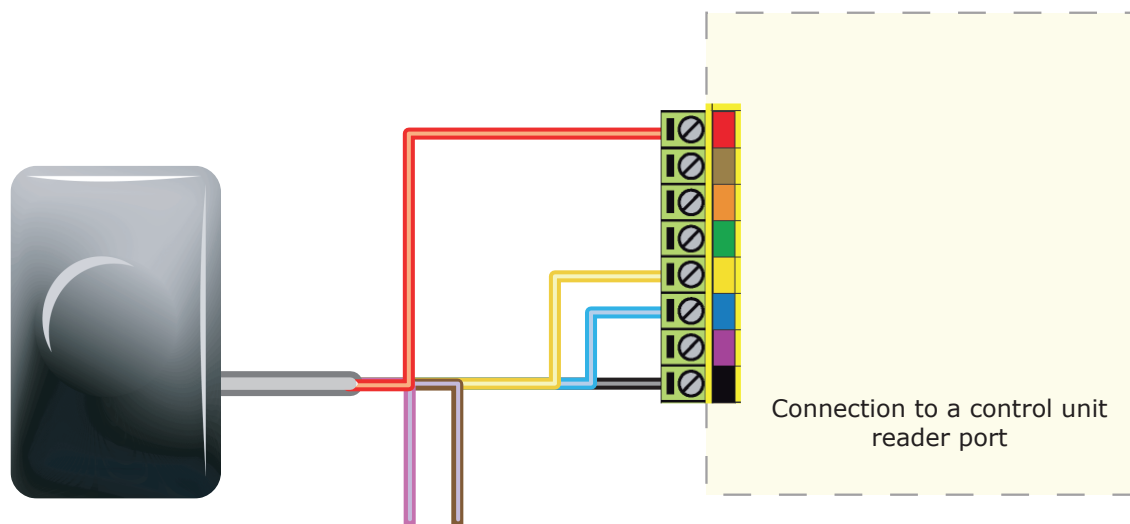
Open hole - medium vandal resistance

Cement plug - high vandal resistance



Blind hole - very high vandal resistance

Wiring



Connection modules



Reader junction box (325-020-US)

This module can be used to provide a connection point for the reader RJ45 plug. The terminals on the module are then wired color for color to the controller.

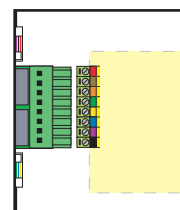
Alternatively, the reader can be wired directly into the screw terminals of the control unit by first cutting off the RJ45 plug and stripping back the wires in the cable.

Reader Port Module (325-030-US)

This module may be purchased separately to speed up the installing and replacement of readers.

The reader port module is designed to convert the standard reader ports on Switch2 and Net2 controllers to accept one or two RJ45 connections. Pull off the screw terminal block from the reader port and simply replace it with this module.

Further information on how to purchase Installer Tools is available at:
<http://paxton.info/841>



Cable extensions

Readers can be extended using Belden CR9540 10-core overall screened cable to a maximum of 100 yards.

Technical Help

Here is the list of topics about this product that receive the most technical support inquiries. We list them here to help you speed up the installation and trouble shooting process.

1 - Readers/Keypads not working.

- Software settings - Confirm that the settings of the reader or keypad are correct.
- Connections - Check the wiring and integrity of the connectors. If possible, test this reader on the other port.
- Cable - Belden 9540 should be used to extend the reader cable (100yds maximum). Twisted pair alarm cable should not be used. To confirm that an extended reader cable is not at fault, wire the reader directly to the port.
- Supply voltage - Confirm that the voltage is within specification. (see table)
- User token - Confirm that the user token used for testing is OK by presenting it to a known working reader.
- Interference - Confirm whether the reader works when tested 'in hand' and not mounted on the wall. Ensure PROXIMITY readers are not mounted back to back or that there is no interference from other RF devices.

2 - Readers / Keypads - Extending cable.

Only Belden CR9538 / 9540 can be used for cable extensions. CR9538 8 core for up to 25yds, CR9540 10 core for 25-100yds (maximum extension). With CR9540, the two additional cores should be used to double up the power.

3 - Net2. What to do if a user has no access - Check the reader LEDs when a card is shown.

- No LEDs - the reader has no power.
- No change in display - try the card on a known working reader. If there is still no response, replace the card.
- Green LED flashing when a card is presented; check relay 1 LED to check for activity and also the lock wiring.
- Red LED is flashing when a card is presented; check the validity of the user at the PC.
Check user's access level and ensure they should have access by clicking on Current Validity.
Check the 'Valid Until' date and confirm this has not expired.
- Reinstate the ACU from the doors screen. Select the ACU's you wish to reinstate and then click OK.

4 - Switch2 - Adding an additional card pack.

You need to be in possession of the original enrolment card. Present the original enrolment card to the reader and the Amber LED will flash, Green & Red LEDs will be off, then present the Enrolment card from the new card pack; the reader will beep and all LEDs will be lit. The additional cards will now be valid. Repeat this with each reader and with any additional card packs. Any valid enrolment card can be used to add further packs. This is the same for enrolling function card packs onto a system.

5 - Switch2 - How to reset the controller.

1. Disconnect the power and remove the wires from the Green and Mauve terminals
2. Insert a wire link between the Green and Mauve terminals
3. Reconnect the power (the unit will bleep 4 times)
4. Disconnect the power and remove the link wire, reconnect the Green and Mauve wires
5. Reconnect the power (the unit will bleep 3 times per second). The unit is ready to be enrolled.

Suitability

Security sensitive doors



Mounted on metal surface



Wet environments



Readers mounted together

12 inches
between
readers

Specifications

Specifications			
Environment	Min		Max
Operating temperatures - all items	-20 °C (-4 °F)		+55 °C (+131 °F)
Waterproof	IPX7		Outdoor Use
Cable length			5 yards
Electrical	Min		Max
Voltage	8V DC		14V DC
Current			100 mA
Carrier frequency			125 kHz
Clock and data bit period			600 μs
Dimensions	Diameter		Depth
	3/4 inch		2 3/8 inch
Read Range	Token		Hands Free Token
	3 inch		1 1/2 inch Not Compatible

FCC Compliance

This device complies with Part 15 of the FCC Rules. Operation is subject to the following two conditions: (1) this device may not cause harmful interference, and (2) this device must accept any interference received, including interference that may cause undesired operation.

Changes or modifications not expressly approved by the party responsible for compliance could void the user's authority to operate the equipment.

This product is not suitable for retail sale. All warranties are invalid if this product is not installed by a competent person.