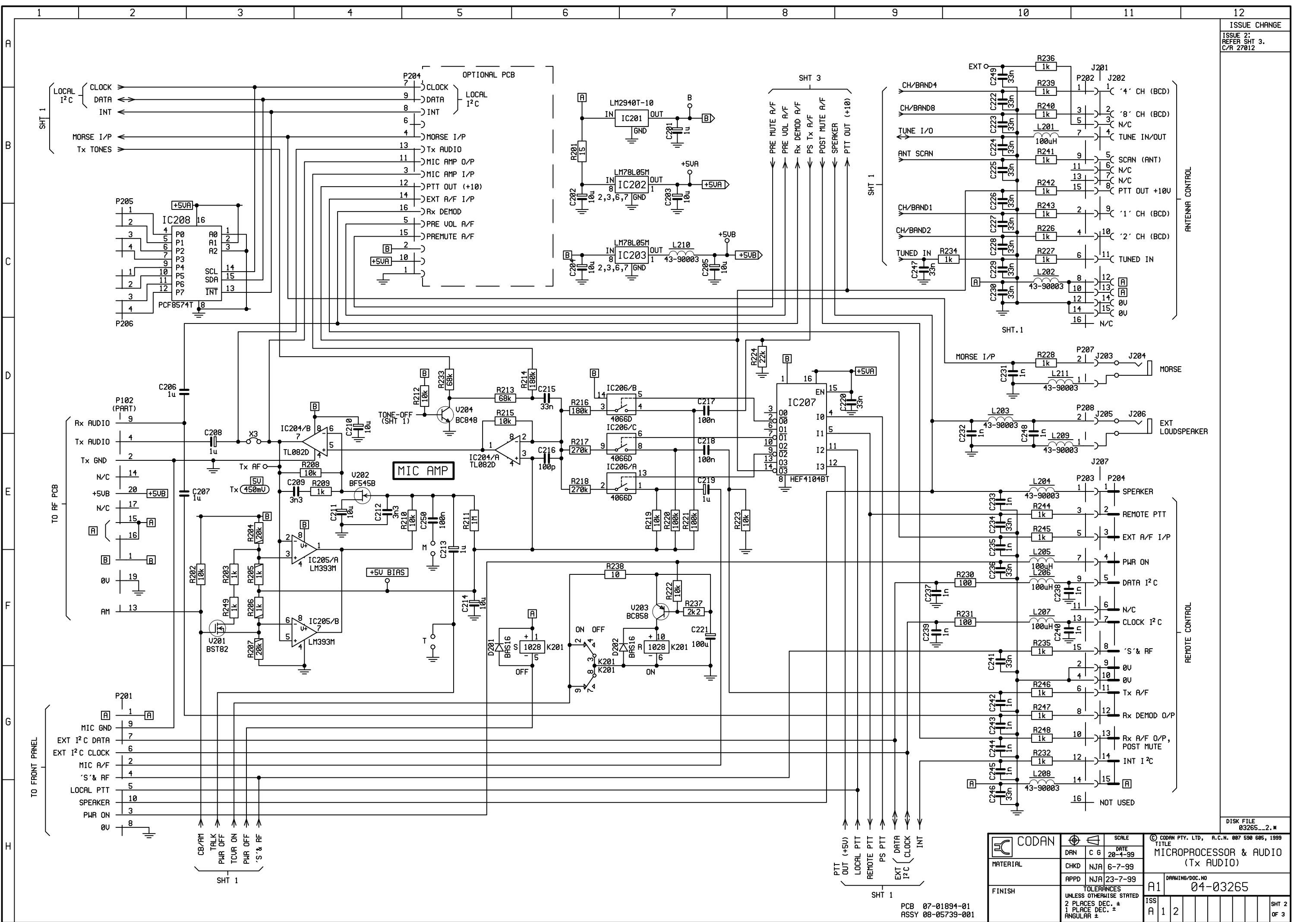


		SCALE DRN C 6 DATE 20-4-99	© CODAN PTY. LTD., A.C.N. 007 590 605, 1999 TITLE MICROPROCESSOR & AUDIO (MICRO & I/O)
MATERIAL	CHKD NJA	6-7-99	DRAWING/DOC. NO A1 04-03265
FINISH	APPD NJA	23-7-99	
TOLERANCES UNLESS OTHERWISE STATED 2 PLACE DEC. ± 1 PLACE DEC. ± ANGULAR ±		ISS A 1 2	SHT 1 OF 3

PCB 07-01894-01  
 ASSY 08-05739-001

DISK FILE  
 03265\_2.\*

ISSUE CHANGE  
 ISSUE 2:  
 REFER SHT 3.  
 C/R 27012

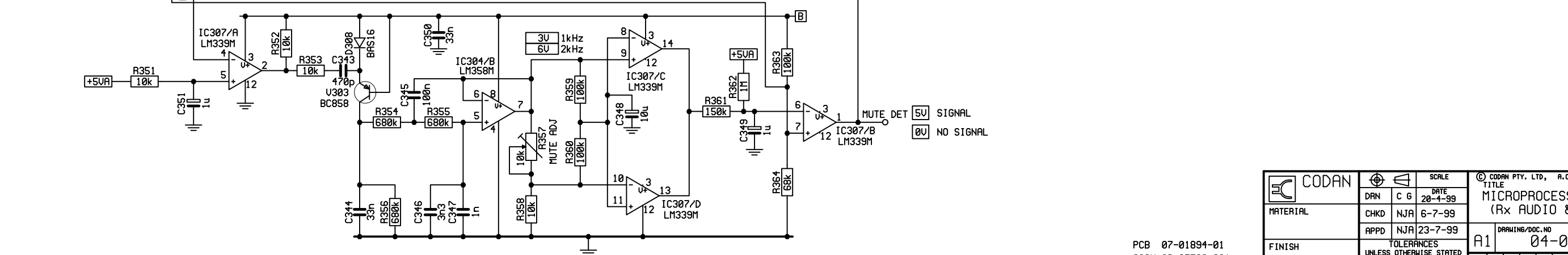
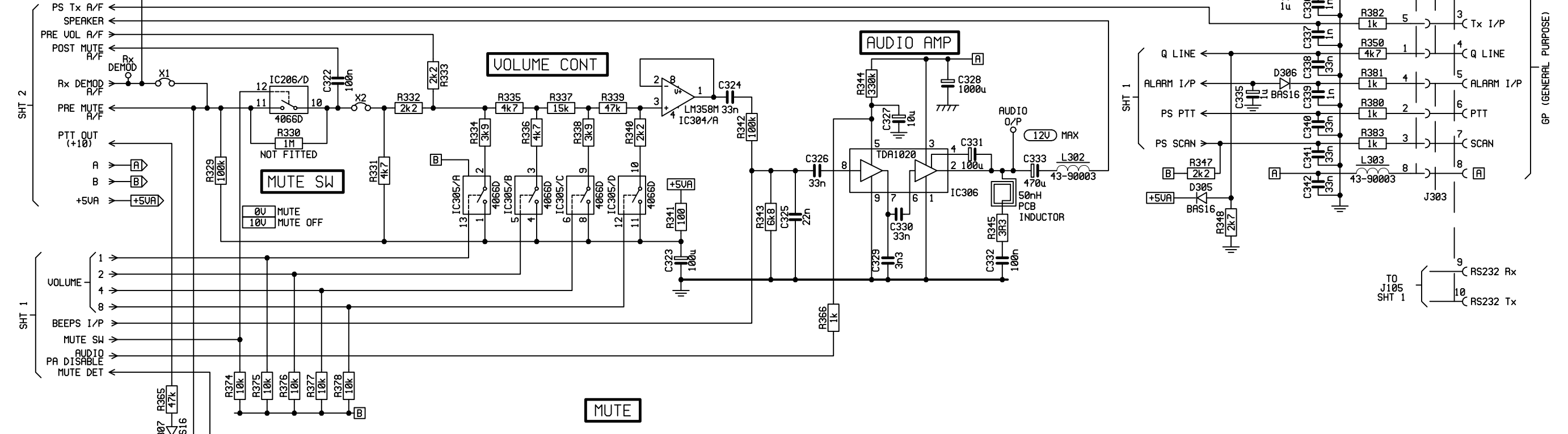
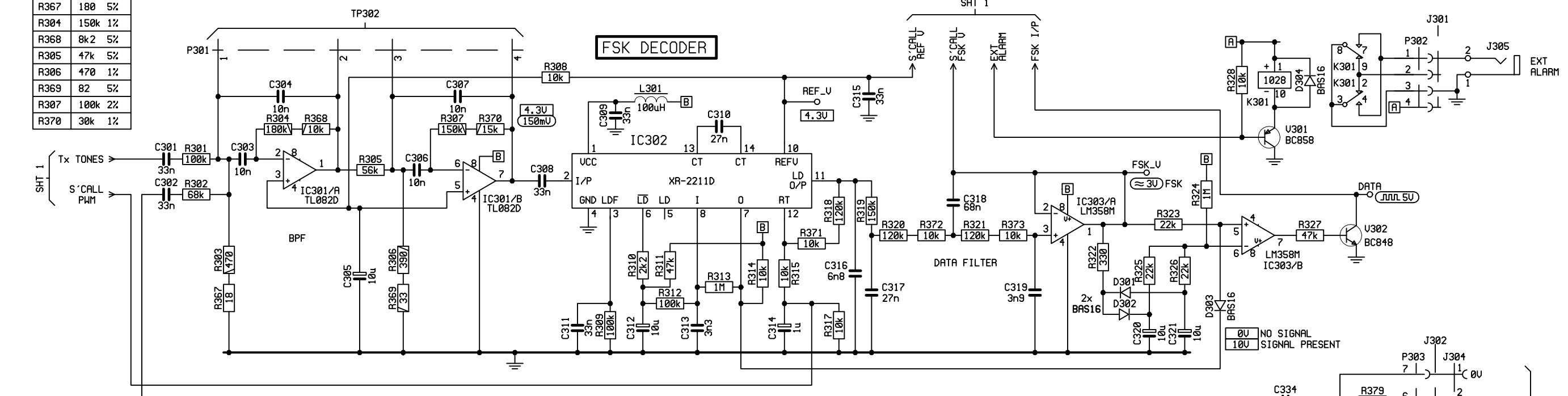


		SCALE DRN C 6 DATE 20-4-99	© CODAN PTY. LTD., A.C.N. 007 590 605, 1999 TITLE <b>MICROPROCESSOR &amp; AUDIO (Tx AUDIO)</b>
MATERIAL CHKD NJA 6-7-99	APPD NJA 23-7-99	DRAWING/DOC. NO <b>04-03265</b>	ISS A 1 2
FINISH UNLESS OTHERWISE STATED 2 PLACES DEC. ± 1 PLACE DEC. ± ANGULAR ±	PCB 07-01894-01 ASSY 08-05739-001	DISK FILE 03265...2.*	SHT 2 OF 3

OPTION WA2 15-10477-000  
CODAN + WAWA SELCALL

R302	56k	5%
R367	100	5%
R304	150k	1%
R368	8k2	5%
R305	47k	5%
R306	470	1%
R369	82	5%
R307	100k	2%
R370	30k	1%

ISSUE CHANGE  
ISSUE 2:  
OPTION WA2 WAS  
15-10477-000.  
TABLE UPDATED.  
C/R 27012  
NJA 25-7-01



PCB 07-01894-01  
ASSY 08-05739-001

CODAN		SCALE	DATE	© CODAN PTY. LTD., A.C.N. 007 590 605, 1999	
DRAWN	C G	DATE	20-4-99	TITLE	
CHECKED	NJA	DATE	6-7-99	MICROPROCESSOR & AUDIO	
APPD	NJA	DATE	23-7-99	(Rx AUDIO & S'CALL)	
FINISH		TOLERANCES		DRAWING/DOC. NO	
		UNLESS OTHERWISE STATED		A1	
		2 PLACES DEC. ±		04-03265	
		1 PLACE DEC. ±		ISS	
		ANGULAR ±		A 1 2	
				SHT 3	
				OF 3	

DISK FILE  
03265\_2.\*