



# CANADA STOCK GUIDE

EASY • RELIABLE • AVAILABLE

Includes

**sensor**switch

**Acuity**Brands<sup>®</sup>





# LITHONIA LIGHTING DELIVERS A NEW ERA IN STOCK BUSINESS!

The guide features a broad offering of in-stock, ready-to-ship fixtures from North America's preferred lighting brand - Lithonia Lighting. The guide is broken into the following three sections:

- **Contractor Select Items** - Our most popular and competitive portfolio, Contractor Select is a stock-focused set of SKUs with simple catalog numbers, bold packaging and full-fixture warranties.
- **Supplemental Stock Items** - Also included in the guide are some of the more popular stocking items from Lithonia Lighting's broader project-focused product portfolio - along with great sensor and controls stocking solutions from Sensor Switch.
- **LED Stock and Specification Items** - With a comprehensive portfolio of intelligent indoor and outdoor lighting solutions, this section highlights all of the LED products found in the contractor select and supplemental product sections as well as some of our additional specification LED products not available in the stock guide. Depending on your application, we have the LED solution you need.

# EASY

The Contractor Select program makes winning stock business easy. With shorter product descriptions and a full-fixture warranty, the program simplifies the way you do business by reducing costs and driving sales growth.

# RELIABLE

With over 65 years of expertise, quality and dependability, Lithonia Lighting provides the industry's strongest stock portfolio of products.

# AVAILABLE

Lithonia Lighting offers the most comprehensive quick shipment service in the business. With distribution centers in each region of the country, Lithonia Lighting has more than 3.1 million units in stock for immediate shipment. Additionally, regional manufacturing capabilities allow us to assemble more than 4,000 products to order.

# WINNING PROGRAMS

- Earn more with our lucrative marketing programs
- Move product faster with a customized promotion
- Let our merchandising tools help you sell more
  - Wallboards
  - Gondolas
  - Counter mats
  - Floor mats

# FASTER DELIVERY

- Over 3.1 million units in stock
- Regional manufacturing centers offer more than 4,000 products available for customization

# SAVING TIME & MONEY

- Electronic Data Interchange (EDI) Capabilities
  - Simplify your operations
  - Improve efficiencies and accuracy
  - Reduce transactional costs
- Vendor Managed Inventory (VMI)
  - Grow sales
  - Improve service levels
  - Increase inventory turns
  - Reduce administrative costs

# A NEW ERA IN SUPPORT



# EASY ANSWERS

## LIVE, IN PERSON:

- Dependable answers from the best agency sales force in the business
- Local representatives are available across the United States and Canada
- To find your local rep, visit [Lithonia.com/Sales](http://Lithonia.com/Sales)

## ON THE PHONE:

- Toll-free factory technical support

Fluorescent - 800.858.7763

Industrial - 800.315.4963

Downlighting - 800.315.4935

Outdoor - 800.279.8041

Sensor Switch - 800.727.7483

## ON THE WEB:

- [Lithonia.com](http://Lithonia.com)

Download specification sheets

View photometry

Access product literature

- [Lithonidistributorcenter.com](http://Lithonidistributorcenter.com) (LDC)

Access product availability

Request a quote

Check order status

Submit freight claims

# PRODUCT

**Contractor Select** consists of a focused, quality line of the most popular and competitive stock products from Lithonia Lighting. Energy efficiency, reliability and ease of installation are designed into every product. These products feature enhanced packaging and shorter product descriptions to simplify product selection and ordering.

# STOCK AVAILABILITY

Products are stocked in Lithonia Lighting regional distribution centers to support local electrical distributor inventory. Real-time Lithonia Lighting inventory status is available 24/7 on the Lithonia Distributor Center (LDC).

# WARRANTY

We offer a simplified fixture warranty for easy problem resolution. Each product has a full-fixture warranty, including the ballast, good for 2 years\* from the distributor date of purchase, subject to the limitations and exclusions set forth in the Lithonia Lighting Terms and Conditions of Sale available at [Lithonia.com/termsandconditions](http://Lithonia.com/termsandconditions). For warranty questions, contact the Lithonia Lighting support team at 800-858-7763 or visit us online at [www.lithonia.com/contractorselect/warranty](http://www.lithonia.com/contractorselect/warranty).

\*LED fixtures are warranted for 5 years from the distributor date of purchase.

# TECHNICAL INFORMATION

Specification sheets, color product photos and key product features available 24/7 online at [www.lithonia.com/contractorselect](http://www.lithonia.com/contractorselect).



# EASY

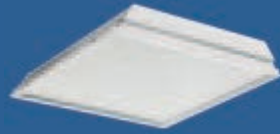
The **Contractor Select** program is Lithonia Lighting's solution to simplify the way you do business by reducing costs, increasing productivity and driving sales growth.



# CONTRACTOR SELECT

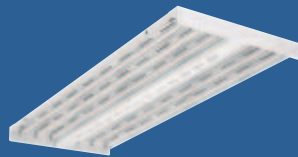
## COMMERCIAL

FLUORESCENT AND LED



LED Troffers .....	7	LED
Lensed Troffers .....	8	
Wraps .....	9-10	
Strip Lights.....	11-13	

## INDUSTRIAL



Industrial Strips.....	15
Fluorescent High Bays .....	16-17
HID High Bays .....	18
HID Low Bays .....	19
Wet Location Industrial.....	20
Enclosed Industrial .....	21

## DOWNLIGHTING

RESIDENTIAL



4" Housings.....	23
4" Trims .....	23
5" Housings.....	24
5" Trims .....	25
6" Housings.....	26
6" Trims .....	27

COMMERCIAL



6", 8" Vertical Frame-in .....	28
6", 8" Vertical Reflectors .....	29
6", 8" Horizontal Frame-in .....	30
6", 8" Horizontal Reflectors.....	31

## OUTDOOR



Security Lighting.....	33
Floodlighting .....	34-35
Building Mounted.....	36-37
Utility Vapor Tights .....	38
Work Lights.....	39
Ceiling Mount Utility.....	40
Entry Lights.....	41

# COMMERCIAL

## Contractor Select

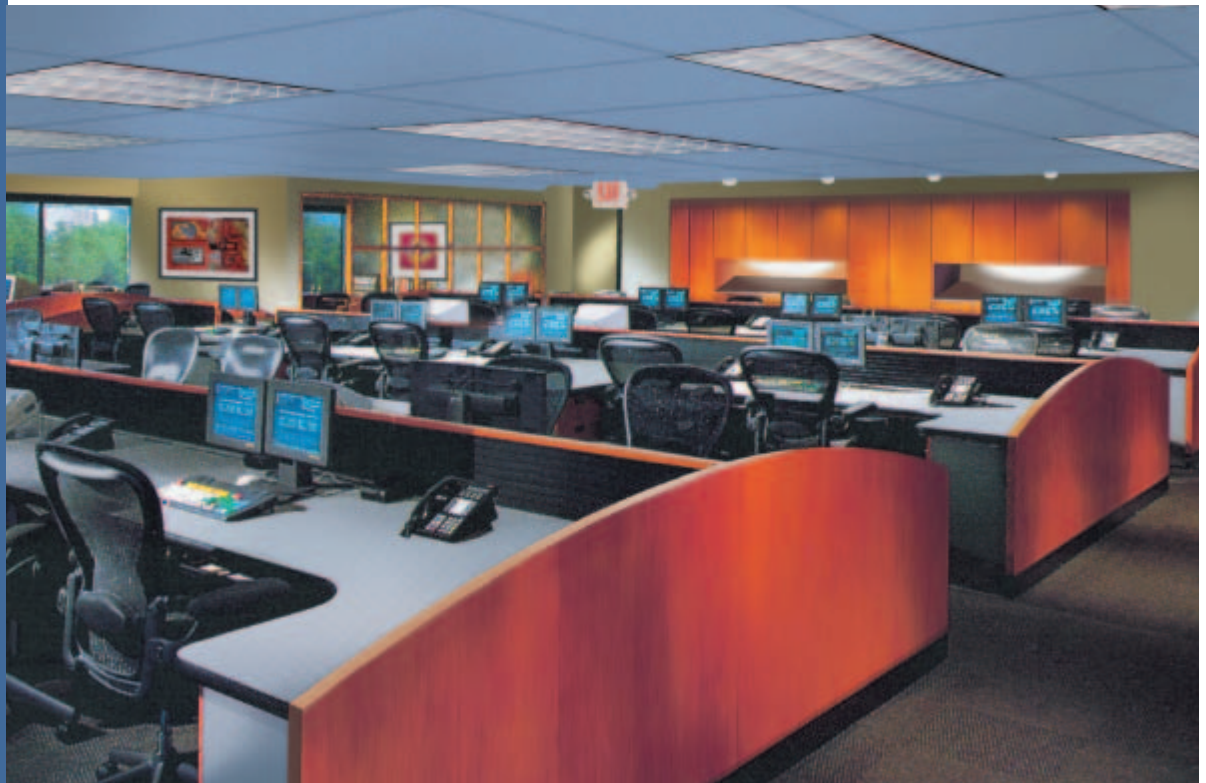


LED Troffers

Lensed Troffers

Wraps

Strip Lights





2'x2' and 2'x4'

## FEATURES

- Affordable LED lay-in that delivers general ambient lighting for many applications such as schools, offices and hospitals
- Smooth hemmed sides and smooth inward-formed end flanges for easy handling
- Long-life LEDs, coupled with high-efficiency drivers, provide a superior level of illumination
- Rated to deliver L80 performance for 50,000 hours
- Fully dimmable down to 10%
- CSA certified to U.S. and Canadian standards
- Design Lights Consortium (DLC) Listed

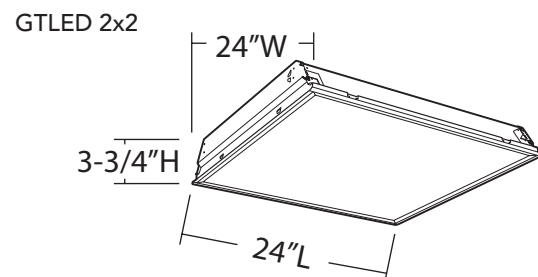
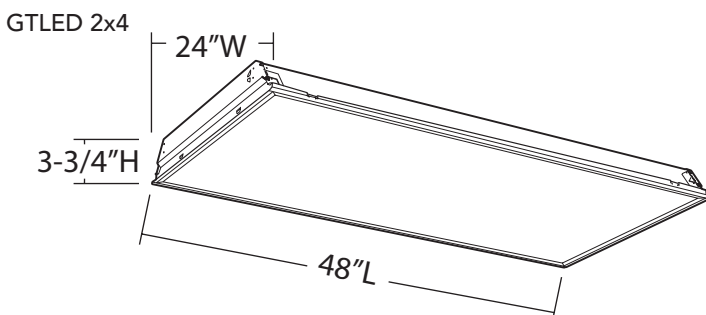


## ORDERING INFORMATION

Catalog Number	UPC	Description	Lumens*	Color Temperature*	Lens Type	Voltage	Wattage*	Pallet Qty.	Standard Carton Qty.
GTLED4 45L D50	753573225300	2x4 LED Recessed Troffer	4,500	3500K	Matte White	120 - 277	50	7	1
GTLED2 31L D38	784231950470	2x2 LED Recessed Troffer	3,100	3500K	Matte White	120 - 277	38	14	1

\* Numbers listed are nominal.

## DIMENSIONS



Certain airborne contaminants can diminish integrity of acrylic. See pg.116 for Acrylic Compatibility table for suitable uses.

# Lensed Troffers

## 1'x4', 2'x2' and 2'x4'



## FEATURES

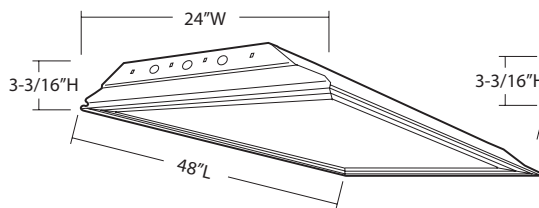
- Recessed lensed fixture for grid T-bar ceilings
- Low-profile design ideal for restricted plenum applications
- Smooth hemmed sides and smooth ends promote easy handling during installation
- Standard steel door frame has superior structural integrity with premium extruded appearance and mitered corners
- 100% acrylic lens with prism pattern

## ORDERING INFORMATION

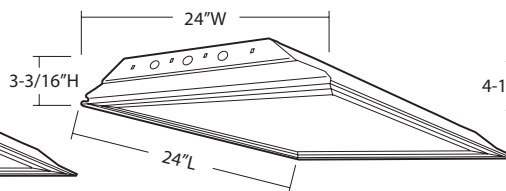
Catalog Number	UPC	Description	# of Lamps	Wattage	# of Ballast	Voltage	Ballast Type	Pre-Wired	Lamp Included	Lamp Type	Pallet Qty.	Standard Carton Qty.
GT2 MV CSA	745975421336	2x4 Recessed Troffer	2	32	1	120 - 277	Electronic, Instant Start	N	N	—	28	1
GT3 MV CSA	745975421367	2x4 Recessed Troffer	3	32	1	120 - 277	Electronic, Instant Start	N	N	—	28	1
GT4 MV CSA	745975422173	2x4 Recessed Troffer	4	32	1	120 - 277	Electronic, Instant Start	N	N	—	28	1
GT2U MV CSA	745975506804	2x2 Recessed Troffer	2	32-U lamp	1	120 - 277	Electronic, Instant Start	N	N	—	56	1
1GT2 MV	745975477586	1X4 Recessed Troffer	2	32	1	120 - 277	Electronic, Instant Start	N	N	—	40	1

## DIMENSIONS

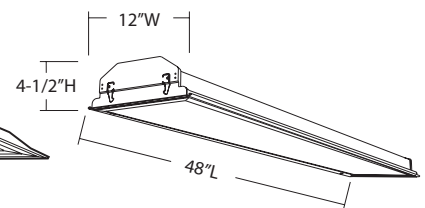
GT 2x4



GT2U 2x2



1GT2 1x4



Certain airborne contaminants can diminish integrity of acrylic. See pg.116 for Acrylic Compatibility table for suitable uses.



## FEATURES

- Designed for applications requiring a clean, decorative appearance
- Provides high angle brightness control
- Acrylic prismatic diffuser with luminous ends soften appearance
- Intended for surface or stem mounting, unit or row installation

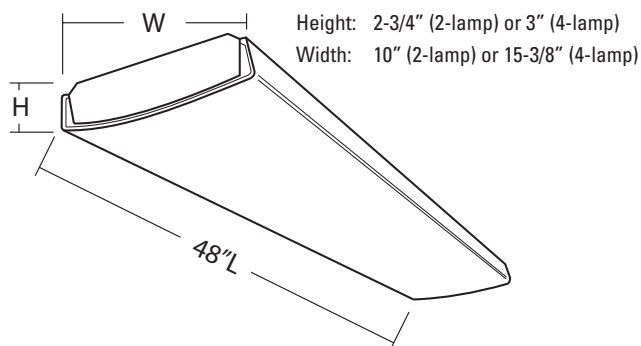
## Curved-Basket Wraps



## ORDERING INFORMATION

Catalog Number	UPC	Description	# of Lamps	Wattage	# of Ballast	Voltage	Ballast Type	Lamp Included	Pallet Qty.	Standard Carton Qty.
LB232 MV	745975088508	Wraparound	2	32	1	120-277	NEMA Premium®, Instant Start	N	56	1
LB432 MV	745975088492	Wraparound	4	32	1	120-277	NEMA Premium®, Instant Start	N	34	1

## DIMENSIONS



## ACCESSORIES

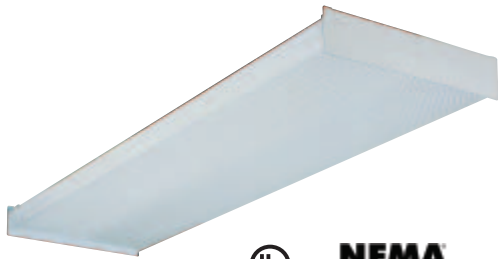
- **DLB48** 48" Replacement Lens for 2-Lamp
- **D2LB48** 48" Replacement Lens for 4-Lamp

Certain airborne contaminants can diminish integrity of acrylic. See pg.116 for Acrylic Compatibility table for suitable uses.

# Wraps

COMMERCIAL

## Square-Basket Wraps



### FEATURES

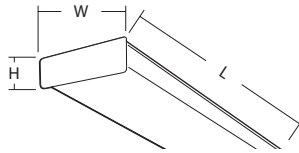
- Designed for applications requiring the clean appearance of a flat bottom diffuser
- 100% acrylic prismatic diffuser
- Diffuser hinges open from both sides for easy cleaning and service
- Intended for surface or stem mounting, unit or row installation

### ORDERING INFORMATION

Catalog Number	UPC	Description	# of Lamps	Length	# of Ballast	Wattage	Voltage	Ballast Type	Lamp Included	Pallet Qty.	Standard Carton Qty.
SB217 MV	745975145188	Wraparound	2	24"	1	17	120-277	NEMA Premium®, Instant Start	N	150	1
SB232 MV	745975083633	Wraparound	2	48"	1	32	120-277	NEMA Premium®, Instant Start	N	75	1
SB432 MV	745975083619	Wraparound	4	48"	1	32	120-277	NEMA Premium®, Instant Start	N	42	1

### DIMENSIONS

Height: 2-5/8" (2-lamp) or 2-7/8" (4-lamp)  
 Length: 24" or 48"  
 Width: 8-5/8" (2-lamp) or 13-3/4" (4-lamp)



### ACCESSORIES

- **DSB24** 24" Replacement Lens for 2-Lamp
- **DSB48** 48" Replacement Lens for 2-Lamp
- **D2SB48** 48" Replacement Lens for 4-Lamp

INDUSTRIAL

## Narrow-Basket Wraps



### FEATURES

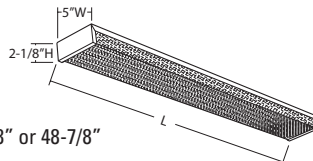
- Small profile design is ideal for light commercial and residential applications
- One-piece channel/end plate design
- Acrylic prismatic diffuser lift and shift into place
- Intended for surface mounting, unit installation

### ORDERING INFORMATION

Catalog Number	UPC	Description	# of Lamps	Length	Wattage	# of Ballast	Voltage	Ballast Type	Lamp Included	Pallet Qty.	Standard Carton Qty.
RB217 MV	745976984540	Wraparound	2	24-7/8"	17	1	120-277	NEMA Premium®, Instant Start	N	288	1
RB232	745973790076	Wraparound	2	48-7/8"	32	1	120	Electronic, Instant Start	N	144	1
RB232 MV	745975747092	Wraparound	2	48-7/8"	32	1	120-277	NEMA Premium®, Instant Start	N	144	1

### DIMENSIONS

Length: 24-7/8" or 48-7/8"



### ACCESSORIES

- **D3348/DRB 4** 48" Replacement Lens for 2-Lamp

DOWNLIGHTING

OUTDOOR

Certain airborne contaminants can diminish integrity of acrylic. See pg.116 for Acrylic Compatibility table for suitable uses.



## FEATURES

- Pre-loaded sockets improve the speed of installation and reduce the potential for socket breakage
- The secure fit of the patent-pending channel cover design allows for easy access and quick attachment
- The patent-pending “three point” row aligner locks channel together for straighter, faster row assembly without fasteners
- Compact “gripper back” channel offers structural strength and reduces shipping damage
- Easy “snap n’ lock” end plates allow for quick attachment and exact fit
- Improved “locking track” lamp holder enhances channel strength and lamp stability

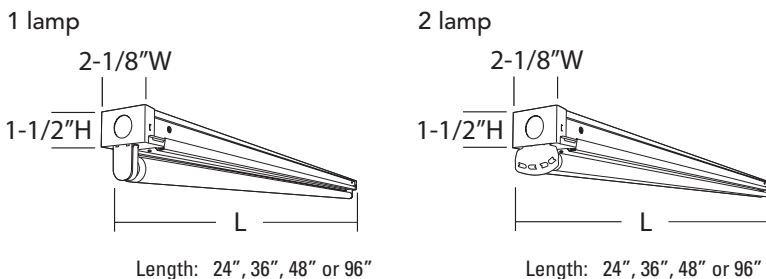
T8 Lamps



## ORDERING INFORMATION

Catalog Number	UPC	Description	# of Lamps	Length	Wattage	Voltage	Ballast Type	Lamp Included	Pallet Qty.	Standard Carton Qty.
Z117 MV	745976682675	T8 Low-Profile Strip	1	24"	17	120 - 277	NEMA Premium®, Instant Start	N	448	1
Z125 MV	745976682705	T8 Low-Profile Strip	1	36"	25	120 - 277	NEMA Premium®, Instant Start	N	224	1
Z132 MV	745976682736	T8 Low-Profile Strip	1	48"	32	120 - 277	NEMA Premium®, Instant Start	N	224	1
TZ132 MV	745976682767	Tandem, T8 Low-Profile Strip	2	96"	32	120 - 277	NEMA Premium®, Instant Start	N	224	1
Z217 MV	745976682781	T8 Low-Profile Strip	2	24"	17	120 - 277	NEMA Premium®, Instant Start	N	448	1
Z225 MV	745976682927	T8 Low-Profile Strip	2	36"	25	120 - 277	NEMA Premium®, Instant Start	N	224	1
Z232 MV	745976682941	T8 Low-Profile Strip	2	48"	32	120 - 277	NEMA Premium®, Instant Start	N	224	1
TZ232 MV	745976682989	Tandem, T8 Low-Profile Strip	4	96"	32	120 - 277	NEMA Premium®, Instant Start	N	224	1

## DIMENSIONS



## ACCESSORIES

- **Z8ASR48** 48" Asymmetric Reflector, White
- **Z8ASR48 SSR** 48" Asymmetric Reflector, Specular
- **Z8SMR48** 48" Symmetric Reflector, White
- **Z8SMR48 SSR** 48" Symmetric Reflector, Specular
- **WGZ48** 48" Base Wireguard, White
- **ZSPRG M50** Z Spring Hanger (Master Pack of 50)

# General Purpose Strip Lights

COMMERCIAL

INDUSTRIAL

DOWNLIGHTING

OUTDOOR



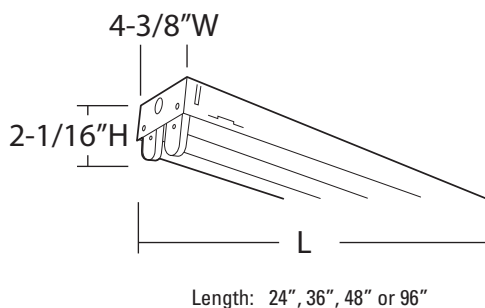
## FEATURES

- Suitable for applications such as retail, commercial and light industrial
- Wide-body construction, die-formed from Code-gauge steel with white enamel finish
- Sturdy channel cover secured by captive quarter-turn latch for easy access to wireway
- End plate used for continuous row installation applications
- Ideal for surface or suspended mounting
- FCC Part 18 for Residential and Commercial Applications (120V Only)

## ORDERING INFORMATION

Catalog Number	UPC	Description	# of Lamps	Length	Wattage	Voltage	Ballast Type	Lamp Included	Pallet Qty.	Standard Carton Qty.
C217 MV	745975081493	T8 General Purpose Strip	2	24"	17	120 - 277	NEMA Premium®, Instant Start	N	198	1
C225 MV	745975081219	T8 General Purpose Strip	2	36"	25	120 - 277	NEMA Premium®, Instant Start	N	99	1
C232 MV	745975079711	T8 General Purpose Strip	2	48"	32	120 - 277	NEMA Premium®, Instant Start	N	99	1
TC232 MV	745975080809	Tandem, T8 General Purpose Strip	4	96"	32	120 - 277	NEMA Premium®, Instant Start	N	99	1
C296	745973789766	T12 General Purpose Strip	2	96"	75	120	Electronic, Rapid Start	N	99	1
C296T8 MV	745977076145	T8 General Purpose Strip	2	96"	59	120 - 277	NEMA Premium®, Instant Start	N	99	1

## DIMENSIONS



## ACCESSORIES

- **CASR48** 48" Asymmetric Reflector, White
- **CSMR48** 48" Symmetric Reflector, White
- **WGCUN NST** 48" Base Wireguard, White
- **HC36 M12** 36" Hanger Chain

# Heavy-Duty Strip Lights

## FEATURES

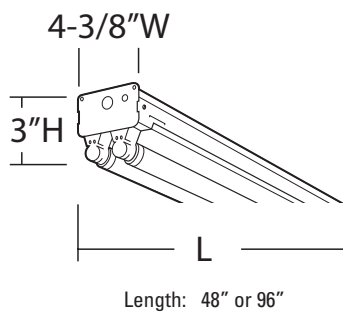
- Rugged, heavy-duty construction suitable for industrial applications
- Gripper-back design for superior strength and rigidity
- High output ballast rated for -20°F cold weather environments
- Heavy-duty aligner included for unit or row installation
- Ideal for heights up to 20', surface or suspended mounting
- FCC Part 18 for Residential and Commercial Applications



## ORDERING INFORMATION

<i>Catalog Number</i>	<i>UPC</i>	<i>Description</i>	<i># of Lamps</i>	<i>Length</i>	<i>Wattage</i>	<i>Voltage</i>	<i>Ballast Type</i>	<i>Lamp Included</i>	<i>Pallet Qty.</i>	<i>Standard Carton Qty.</i>
UN248HO	745974235040	T12HO Heavy-duty Strip	2	48"	60	120	Electronic, Rapid Start	N	99	1
UN296HO	745973790267	T12HO Heavy-duty Strip	2	96"	110	120	Electronic, Rapid Start	N	99	1

## DIMENSIONS



# INDUSTRIAL

## Contractor Select



Industrial Strips

Fluorescent  
High Bays

HID High Bays

HID Low Bays

Wet Location  
Industrial

Enclosed  
Industrial



## FEATURES

- Sturdy construction suitable for applications such as retail, light industrial and warehouses
- Die-formed from Code-gauge steel with white enamel finish and 12" wide solid top reflector
- End plate used for continuous row installation applications
- Features NEMA Premium Ballast

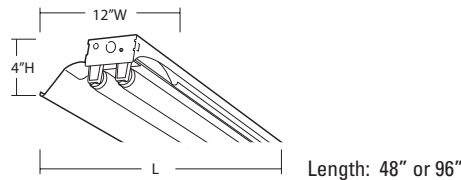
## General Purpose (T8)



## ORDERING INFORMATION

Catalog Number	UPC	Description	# of Lamps	Length	Wattage	Voltage	Reflector Type	Ballast Type	Lamp Included	Pallet Qty.	Standard Carton Qty.
L232 MV	745975276394	T8 General Purpose Industrial	2	48"	32	120 - 277	Solid Top	NEMA Premium®, Instant Start	N	51	1
TL232 MV	745975276387	Tandem, T8 General Purpose Industrial	4	96"	32	120 - 277	Solid Top	NEMA Premium®, Instant Start	N	51	1

## DIMENSIONS



## ACCESSORIES

- WGL 48" Base Wireguard, White (order 2 for 8')

## FEATURES

- Rugged, heavy-duty industrial strip for medium to high mounting heights
- Die-formed from Code-gauge steel with white enamel finish and 12" wide solid top reflector
- Gripper-back design for superior strength and rigidity
- Heavy-duty aligner included for unit or row installation
- FCC Part 18 for Residential and Commercial Applications

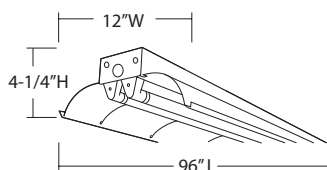
## Heavy-Duty (T12HO)



## ORDERING INFORMATION

Catalog Number	UPC	Description	# of Lamps	Length	Wattage	Voltage	Ballast Type	Lamp Included	Pallet Qty.	Standard Carton Qty.
EJ296HO	745973858448	T12HO Heavy-duty Industrial	2	96"	110	120	Electronic, Rapid Start	N	51	1

## DIMENSIONS



## ACCESSORIES

- WGL 48" Base Wireguard, White (order 2 for 8')

# Fluorescent High Bays

## T5 Lamps



## FEATURES

- Ideal replacement for HID high bays
- Multiple lamp configurations available for varying needs and/or applications
- Snap-fit occupancy sensor can significantly reduce energy consumption (field-installable accessory)
- Field-installable lens assembly provides additional shielding and lamp protection (sold as an accessory)
- Ideal for ambient environments that do not exceed 113°F (45°C)
- Ballast disconnect standard
- Lamped fixtures include 4100K lamps

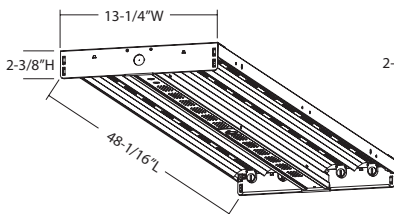
## ORDERING INFORMATION

Catalog Number	UPC	Description	# of Lamps	Wattage	Voltage*	Distribution	Uplight	Ballast Type	Lamp Included	Motion Sensor Included	Pallet Qty.	Standard Carton Qty.
IBZT5 4	745977144141	T5 Fluorescent High Bay	4	54	120 - 277	Narrow	Y	Electronic, Program Rapid Start	N	N	54	1
IBZT5 4L	745977147197	T5 Fluorescent High Bay	4	54	120 - 277	Narrow	Y	Electronic, Program Rapid Start	Y	N	54	1
IBZT5 6	745977147432	T5 Fluorescent High Bay	6	54	120 - 277	Narrow	Y	Electronic, Program Rapid Start	N	N	36	1
IBZT5 6L	745977147470	T5 Fluorescent High Bay	6	54	120 - 277	Narrow	Y	Electronic, Program Rapid Start	Y	N	36	1
IBZT5 4L WD	745977147227	T5 Fluorescent High Bay	4	54	120 - 277	Wide	Y	Electronic, Program Rapid Start	Y	N	54	1
IBZT5 6L WD	745977147579	T5 Fluorescent High Bay	6	54	120 - 277	Wide	Y	Electronic, Program Rapid Start	Y	N	36	1

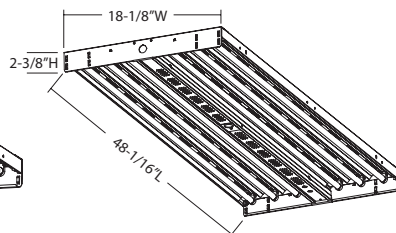
\*Add "HVOLT" for 347V to 480V ballast (Example: IBZT5 4 HVOLT)

## DIMENSIONS

4 lamp



6 lamp



## ACCESSORIES (Must be ordered separately)

- **SFR 5** 360° Snap-Fit High Bay Sensor (Not for use with door and lens)
- **WGIBZ14** Wireguard for 4-lamp fixture
- **WGIBZ19** Wireguard for 6-lamp fixture
- **DLIBZ14 ACL** Door Frame Kit with .125" Acrylic Lens for 4-lamp fixture
- **DLIBZ19 ACL** Door Frame Kit with .125" Acrylic Lens for 6-lamp fixture
- **IBZACVH** 10' Adjustable Aircraft Cable with V-hook
- **IBZPMP** Single Point Mounting (Pendant Mount)

### FEATURES

- Ideal replacement for HID high bays
- Multiple lamp configurations available for varying needs and/or applications
- Field-installable lens assembly provides additional shielding and lamp protection (sold as an accessory)
- Ballast disconnect standard



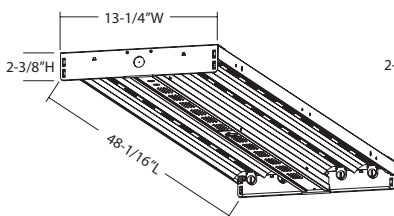
### ORDERING INFORMATION

Catalog Number	UPC	Description	# of Lamps	Wattage	Voltage*	Distribution	Uplight	Ballast Type	Lamp Included	Motion Sensor Included	Pallet Qty.	Standard Carton Qty.
IBZT8 4	745977147661	T8 Fluorescent High Bay	4	32	120 - 277	Narrow	Y	Electronic, Instant Start, High BF	N	N	54	1
IBZT8 4 WD	745977147692	T8 Fluorescent High Bay	4	32	120 - 277	Wide	Y	Electronic, Instant Start, High BF	N	N	54	1
IBZT8 6	745977147791	T8 Fluorescent High Bay	6	32	120 - 277	Narrow	Y	Electronic, Instant Start, High BF	N	N	36	1
IBZT8 6 WD	745977147845	T8 Fluorescent High Bay	6	32	120 - 277	Wide	Y	Electronic, Instant Start, High BF	N	N	36	1

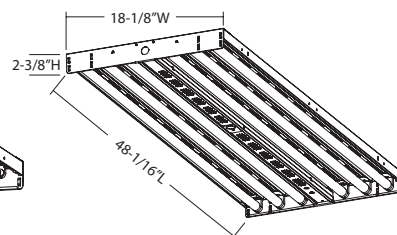
\*Also available in 347V

### DIMENSIONS

4 lamp



6 lamp



### ACCESSORIES (Must be ordered separately)

- **WGIBZ14** Wireguard for 4-lamp fixture
- **WGIBZ19** Wireguard for 6-lamp fixture
- **DLIBZ14 ACL** Door Frame Kit with .125" Acrylic Lens for 4-lamp fixture
- **DLIBZ19 ACL** Door Frame Kit with .125" Acrylic Lens for 6-lamp fixture
- **IBZACVH** 10' Adjustable Aircraft Cable with V-hook
- **IBZPMP** Single Point Mounting (Pendant Mount)

# HID High Bays

400 watts / MH



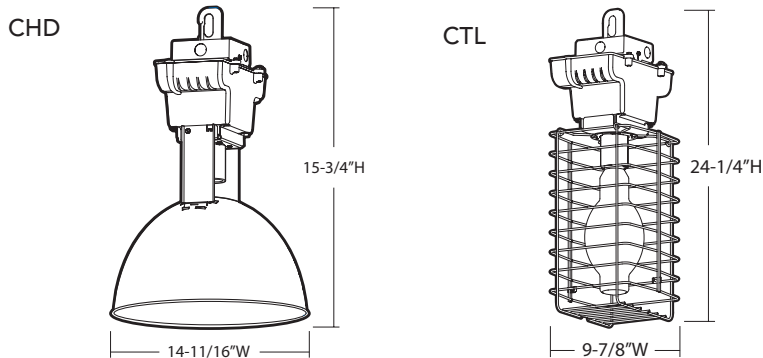
## FEATURES

- Open high bay fixture in convenient packaging; lamp included
- Die-cast aluminum housing
- Includes steel hook with spring steel latch
- Ideal for mounting heights of 20' and higher
- Meets EISA requirements
- Standard with protected "PINK" socket and O-rated lamp
- UL Listed for ambient operations up to 50°C
- Worklight (CTL) standard with 7' power cord 16/3 black with twist-lock plug; pre-wired for 120V

## ORDERING INFORMATION

Catalog Number	UPC	Description	Wattage	Lamp Source	Voltage	Reflector Size	Lamp Included	Pallet Qty.	Standard Carton Qty.
CHD400PL CSA	745974444947	High Bay Fixture	400	MH	120/347	15"	Y	18	1
CTL400PL CSA	745974512820	High Bay Worklight	400	MH	120/347	—	Y	24	1

## DIMENSIONS





## FEATURES

- Enclosed HID low bay fixture with white painted aluminum reflector and prismatic acrylic lens; lamp included
- Spun-aluminum 20" reflector is optically designed for superior uniformity and brightness control
- Includes steel hook with spring steel latch
- Ideal for mounting heights of 20' and lower
- Meets EISA requirements
- Standard with protected "PINK" socket and O-rated lamp
- UL Listed for ambient operations up to 40°C

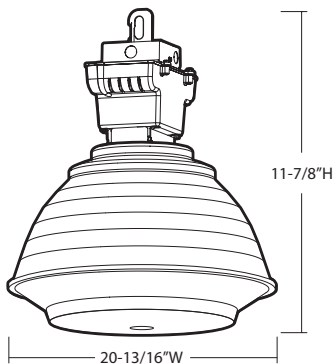
400 watts / MH



## ORDERING INFORMATION

<i>Catalog Number</i>	<i>UPC</i>	<i>Description</i>	<i>Wattage</i>	<i>Lamp Source</i>	<i>Voltage</i>	<i>Reflector Size</i>	<i>Lamp Included</i>	<i>Pallet Qty.</i>	<i>Standard Carton Qty.</i>
CXD400PL CSA	745975398294	Low Bay Fixture	400	MH	120/347	20"	Y	12	1

## DIMENSIONS



Certain airborne contaminants can diminish integrity of acrylic. See pg.116 for Acrylic Compatibility table for suitable uses.

# Wet Location Industrial

## 4' Industrial



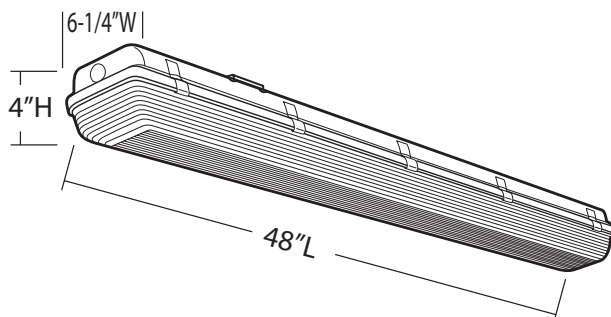
## FEATURES

- Features a light gray, fully gasketed polycarbonate housing and snap-fit polycarbonate latches provide tight seal
- Includes a UV-stabilized, impact-resistant, clear prismatic polycarbonate lens
- Designed for low to medium mounting heights; ideal for applications where dirt, dust and moisture are present
- Stainless steel mounting brackets included (2)
- CUL Listed for wet locations and IP65 rated
- Ambient operation from 0°F to 77°F

## ORDERING INFORMATION

Catalog Number	UPC	Description	# of Lamps	Wattage	Voltage	Lamp Included	Pallet Qty.	Standard Carton Qty.
XWL232 MV	745975639755	Wet Location Industrial	2	32	120-277	N	63	1
XWL254 MV	745976008697	Wet Location Industrial	2	54	120-277	N	63	1

## DIMENSIONS



## ACCESSORIES

- **DXWL48** Wet Location Replacement Lens
- **XWL LATCH M10** Wet Location Replacement Latch

Certain airborne contaminants can diminish integrity of acrylic. See pg.116 for Acrylic Compatibility table for suitable uses.

## 2' and 4' Industrial

### FEATURES

- Ideal for canopies, dock areas, food and beverage processing facilities, car washes, schools, government facilities and industrial applications
- Housing formed from impact resistant fiberglass
- Features a 50% DR acrylic lens
- Suitable for surface or suspended mounting, unit or row installation; horizontal wall mount only
- 2-lamp maximum and available in 2' and 4' versions
- CUL Listed for wet location, NSF Listed and IP65 rated; 2' fixture standard IP67 rated
- Ambient operation from 0°F to 77°F

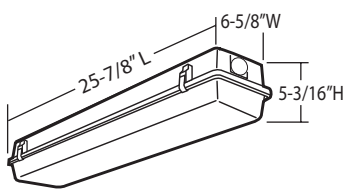


### ORDERING INFORMATION

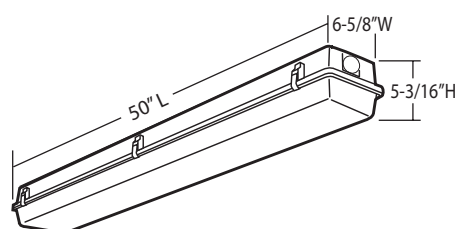
Catalog Number	UPC	Description	# of Lamps	Wattage	Voltage	Lamp Included	Pallet Qty.	Standard Carton Qty.
EGW217 MV	745976805968	2' Enclosed Industrial Fixture	2	17	120-277	N	64	1
EGW232 MV	745976806019	4' Enclosed Industrial Fixture	2	32	120-277	N	32	1

### DIMENSIONS

2 foot



4 foot



### ACCESSORIES

- **DEGW24** 2' Enclosed Fixture Replacement Lens
- **DEGW48** 4' Enclosed Fixture Replacement Lens
- **DMW/EGW LATCH J6** 2' and 4' Enclosed Fixture Replacement Latch
- **EGWSMB** 2' and 4' Surface Mounting Bracket

Certain airborne contaminants can diminish integrity of acrylic. See pg.116 for Acrylic Compatibility table for suitable uses.

# DOWNLIGHTING

## Contractor Select



### RESIDENTIAL

- 4" Housings
- 4" Trims
- 5" Housings
- 5" Trims
- 6" Housings
- 6" Trims

### COMMERCIAL

- 6", 8" Vertical Frame-in
- 6", 8" Vertical Reflectors
- 6", 8" Horizontal Frame-in
- 6", 8" Horizontal Reflectors



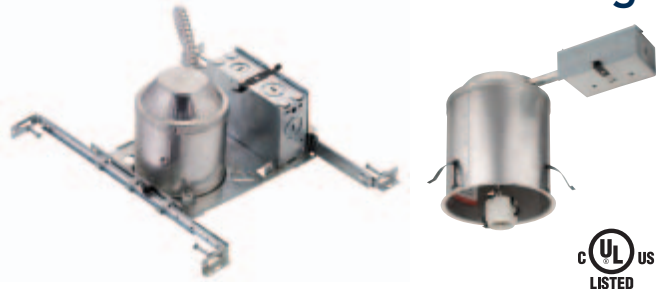


# 4" Residential Housings and Trims

## FEATURES

- Recessed housings rated IC/NON-IC for new construction and remodel applications
- New construction features air-tight, galvanized steel pan with aluminum can and junction box; remodel features air-tight, aluminum housing with galvanized steel raceway arm
- New construction suitable for ceilings up to 1 1/2" thick; remodel suitable for ceilings up to 1/2" thick
- 120V applications

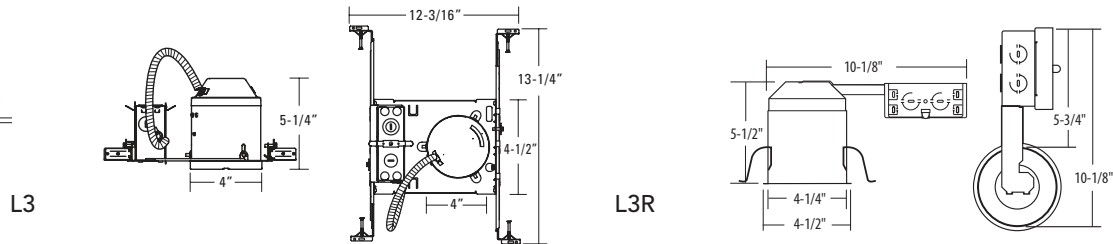
## New Construction/Remodel Housings



## ORDERING INFORMATION (Must be ordered in multiples of standard carton quantity.)

Catalog Number	UPC	Description	Pallet Qty.	Standard Carton Qty.
L3 R6	745973345313	4" New Construction IC/Non-IC Rated	144	6
L3R R6	745973345566	4" Remodel IC/Non-IC Rated	312	6

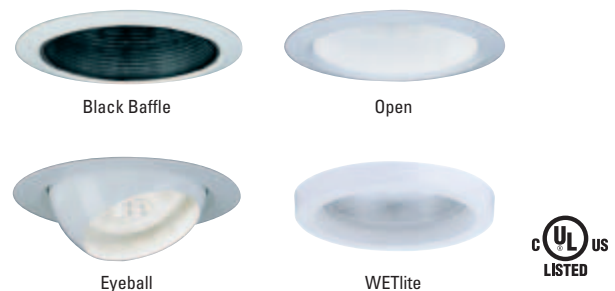
## DIMENSIONS



## FEATURES

- IC/NON-IC rated trims
- Baffle, eyeball and open trims are damp location listed
- Lensed trim is wet location listed
- Bulk packed

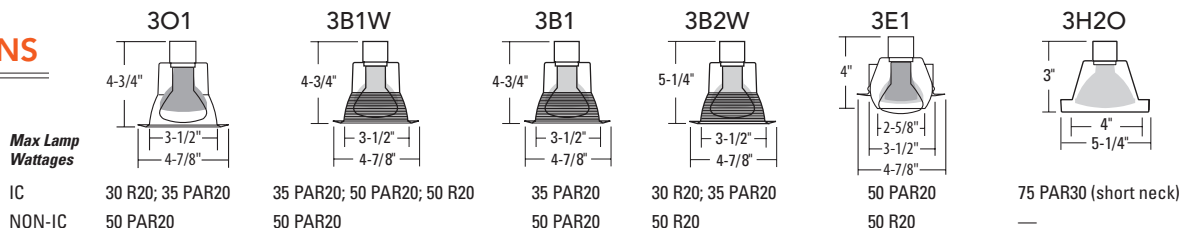
## New Construction/Remodel Trims



## ORDERING INFORMATION (Must be ordered in multiples of standard carton quantity.)

Catalog Number	UPC	Description	Type	Color	Flange Width	Pallet Qty.	Standard Carton Qty.
301 R12	745975234158	4" Trim	Open	White	Narrow	1344	12
3B1W R24	745975234264	4" Trim	Baffle	White	Narrow	1536	24
3B1 R12	745975234295	4" Trim	Baffle	Black	Narrow	1296	12
3B2W R12	745975281015	4" Trim	Baffle	White	Wide	1536	12
3E1 R6	745973752937	4" Trim	Eyeball	White	Narrow	1080	6
3H2O R6	745975281060	4" Trim	WETlite	White	Wide	630	6

## DIMENSIONS



Max Lamp Wattages

IC	30 R20; 35 PAR20	35 PAR20; 50 PAR20; 50 R20	35 PAR20	30 R20; 35 PAR20	50 PAR20	75 PAR30 (short neck)
NON-IC	50 PAR20	50 PAR20	50 PAR20	50 R20	50 R20	—

# 5" Residential Housings

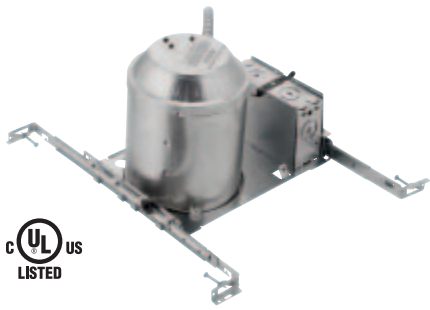
COMMERCIAL

INDUSTRIAL

DOWNLIGHTING

OUTDOOR

## New Construction



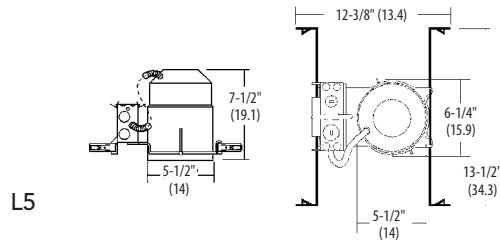
## FEATURES

- Recessed housing rated IC for new construction
- Air-tight standard and approved for direct burial in insulation
- Removable j-box doors for easy access
- Suitable for ceilings up to 1 1/2" thick

## ORDERING INFORMATION (Must be ordered in multiples of standard carton quantity.)

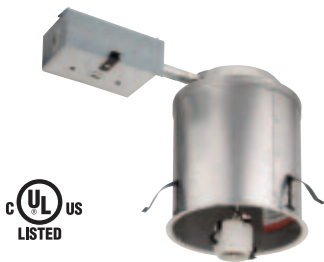
Catalog Number	UPC	Description	Pallet Qty.	Standard Carton Qty.
L5 R6	745973345160	5" New Construction IC Rated	144	6

## DIMENSIONS



L5

## Remodel Housing



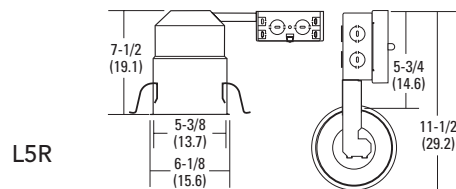
## FEATURES

- Recessed housing rated IC for remodel applications
- Air-tight standard and approved for direct burial in insulation
- Includes heavy-gauge galvanized steel raceway arm
- 120V applications

## ORDERING INFORMATION (Must be ordered in multiples of standard carton quantity.)

Catalog Number	UPC	Description	Pallet Qty.	Standard Carton Qty.
L5R R6	745973345276	5" Remodel IC Rated	96	6

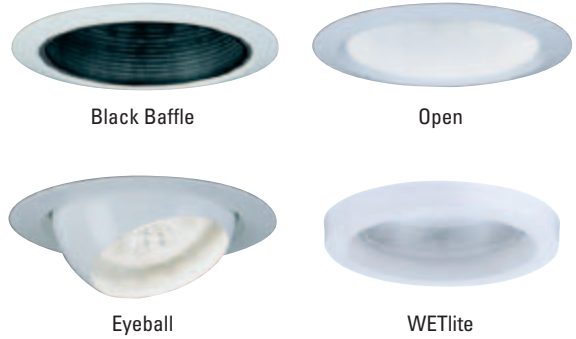
## DIMENSIONS



L5R

## FEATURES

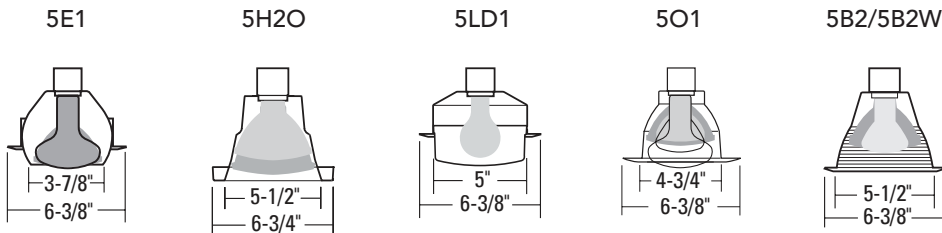
- IC/NON-IC rated trims
- Baffle, eyeball and open trims are damp location listed
- Lensed trim is wet location listed
- Bulk packed



## ORDERING INFORMATION (Must be ordered in multiples of standard carton quantity.)

Catalog Number	UPC	Description	Type	Color	Flange Width	Pallet Qty.	Standard Carton Qty.
5E1 R6	745973752883	5" Trim	Eyeball	White	Narrow	504	6
5H2O R6	745975375851	5" Trim	WETlite	White	Narrow	180	6
5LD1 R6	745973752890	5" Trim	Lensed	White	Narrow	756	6
5O1 R12	745973752845	5" Trim	Open	White	Wide	1008	12
5B2 TOR R12	745975234110	5" Trim	Baffle	Black	Narrow	720	12
5B2W TOR R12	745975234097	5" Trim	Baffle	White	Narrow	720	12

## DIMENSIONS



### Max Lamp Wattages

IC	50 R20; 65 BR30; 50 PAR20; 75 PAR30	75 PAR38	40 A19	50 R20; 65 BR40; 75 PAR30	50 R20; 65 BR30; 50 PAR30; 60 PAR38
----	--	----------	--------	------------------------------	--

# 6" Residential Housings

COMMERCIAL

INDUSTRIAL

DOWNLIGHTING

OUTDOOR

## New Construction



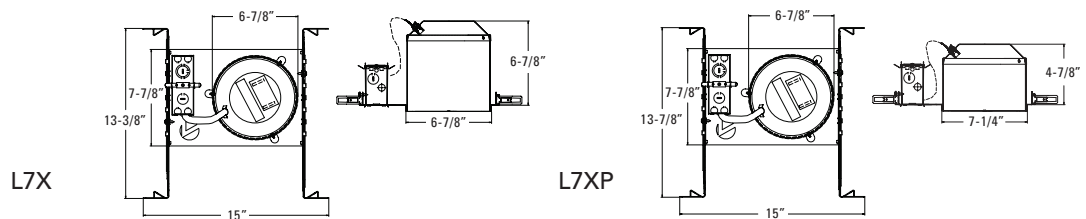
## FEATURES

- Recessed incandescent housings rated IC/NON-IC for 2x8 new construction; shallow housing rated IC/NON-IC for 2x6
- Air-tight, galvanized steel pan with aluminum can and junction box
- Suitable for ceilings up to 1 1/2" thick
- 120V applications

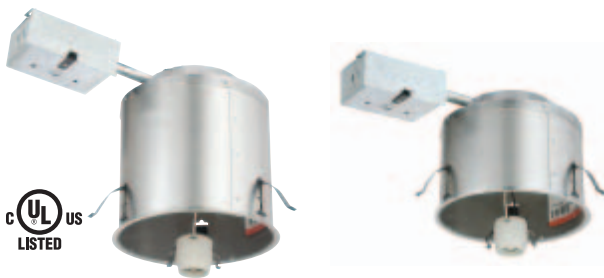
## ORDERING INFORMATION (Must be ordered in multiples of standard carton quantity.)

Catalog Number	UPC	Description	Pallet Qty.	Standard Carton Qty.
L7X R6	784231091906	6" New Construction	120	6
L7X PHC R6	784231097533	6" New Construction with Poke-home Wire Connectors	120	6
L7XP R6	784231104170	6" Shallow, New Construction IC/Non-IC Rated	144	6

## DIMENSIONS



## Remodel Housing



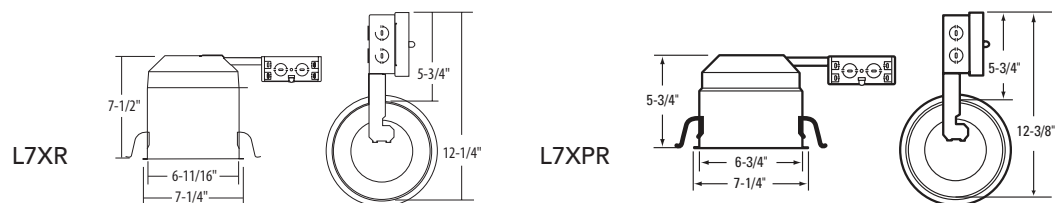
## FEATURES

- Recessed incandescent remodel housing rated IC/NON-IC for 2x8 remodel construction
- Air-tight aluminum housing with heavy-gauge galvanized steel raceway arm
- Remodel clips for installation in existing plaster, sheet rock or mechanical ceilings
- Suitable for ceilings up to 1 1/4" thick
- 120V applications

## ORDERING INFORMATION (Must be ordered in multiples of standard carton quantity.)

Catalog Number	UPC	Description	Pallet Qty.	Standard Carton Qty.
L7XR R6	745973789704	6" Remodel IC/Non-IC Rated	144	6
L7XPR R6	745973344965	6" Shallow, Remodel IC/Non-IC Rated	96	6

## DIMENSIONS





## FEATURES

- IC/NON-IC rated trims
- Baffle, eyeball and open trims are damp location listed
- Lensed trim is wet location listed
- Bulk packed



## ORDERING INFORMATION (Must be ordered in multiples of standard carton quantity.)

Catalog Number	UPC	Description	Type	Color	Flange Width	Fits Shallow Housing	Pallet Qty.	Standard Carton Qty.
701 TOR R12	745975232161	6" Trim	Open	White	Wide	Y	480	12
702 TOR R24	745975280780	6" Trim	Open	White	Narrow	N	1440	24
7B1W TOR R24	784231109984	6" Trim	Baffle	White	Wide	Y	1440	24
7B2W TOR R24	745975231416	6" Trim	Baffle	White	Narrow	N	576	24
7B2 TOR R12	745975231911	6" Trim	Baffle	Black	Narrow	N	1440	12
7LD1 R12	784231085448	6" Trim	Lensed	White	Wide	Y	540	12
7E1 TOR R6	784231085455	6" Trim	Eyeball	White	Wide	Y	360	6

## DIMENSIONS

	701	702	7B1W	7B2 / 7B2W	7LD1	7E1
<b>Max Lamp Wattages</b>	IC	75 PAR30; 65 BR30	75 PAR30; 65 BR30	75 PAR30; 65 BR30	40 A19	75 PAR30; 65 BR30

# 6" & 8" Light Commercial Vertical Frame-in

COMMERCIAL

INDUSTRIAL

DOWNLIGHTING

OUTDOOR



## FEATURES

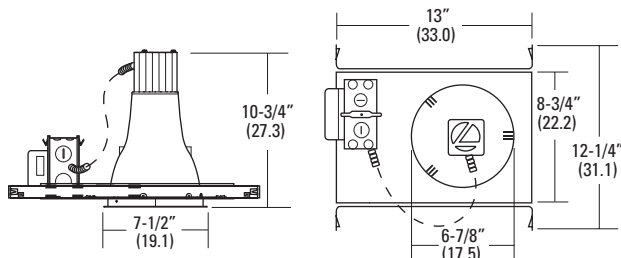
- Fixtures are CUL Listed for through-branch wiring, NON-IC recessed mounting and damp location
- Galvanized steel mounting frame-in with high-friction retention clips secure optical system
- Utilizes an extruded socket housing that attaches to the reflector via key hole mount, which provides superior heat dissipation and extended lamp life
- Factory-installed captive bar hangers that span 24" and feature built-in nailers and T-bar clips
- Maximum ceiling thickness of 1½"
- Lamp Type Applications:
  - Compact Fluorescent (120-277V)
  - Incandescent (120V); SDT (277V stepdown transformer to 120V)

## ORDERING INFORMATION

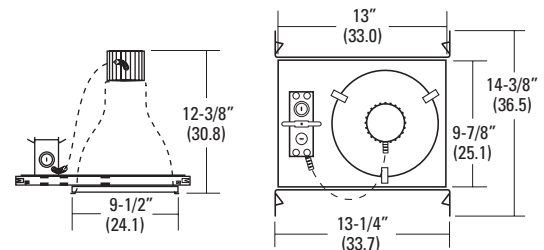
Catalog Number	UPC	Description	Lamp Type	Wattage	Voltage	Pallet Qty.	Standard Carton Qty.
6VF 18DTT/TRT MVOLT	745976716707	6" Vertical Frame-in	Compact Fluorescent	18	120-277	72	1
6VF 26-42TRT MVOLT	745976714895	6" Vertical Frame-in	Compact Fluorescent	26, 32, 42	120-277	72	1
6VF 26-42TRT MVOLT ELR	745976714901	6" Vertical Frame-in with Emergency	Compact Fluorescent	26, 32, 42	120-277	42	1
6VI J6	745976714833	6" Vertical Frame-in	Incandescent	See Trims (p.31)	120	162	6
6VI U	745976714789	6" Vertical Frame-in	Incandescent	See Trims (p.31)	120	99	1
8VI	745976724191	8" Vertical Frame-in	Incandescent	See Trims (p.31)	120	60	1

## DIMENSIONS

6VF and 6VI



8VI



# 6" & 8" Commercial Vertical Reflectors

## FEATURES

- Aluminum full reflectors are optically designed to maximize lumen output and provide superior glare control
- Damp location listed and lens reflectors are wet location listed
- Open reflectors are diffuse
- Black baffled reflectors have an anodized upper finish with white painted flange standard
- Glass lenses are available in a fresnel glass lens
- Glass lens provide optimal visual comfort and improved aesthetics



Diffuse



Black Baffle



## ORDERING INFORMATION

Catalog Number	UPC	Description	Pallet Qty.	Standard Carton Qty.
609A	745975550036	Vertical, Diffuse, 6" Reflector	150	1
6B9	745975550425	Vertical, Black Baffle, 6" Reflector	150	1
6LR4	745975554249	Vertical, Fresnel, 6" Lens	150	1
802A	784231152928	Vertical, Diffuse, 8" Reflector	80	1
8B3	784231152508	Vertical, Black Baffle, 8" Reflector	64	1
8L4	784231162569	Vertical, Fresnel, 8" Lens	80	1

## DIMENSIONS

	609A	6B9	6LR4	802A	8B3	8L4
<b>Max Lamp Wattages</b>						
NON-IC	120w BR40; 150w A19 and A21; 150w PAR38	120w BR40; 150w A19 and A21	100w A19	200w A23; 200w PS25; 250w PAR38; 250w BR40 (heat lamp)	200w A23; 200w PS25; 250w PAR38; 250w BR40 (heat lamp)	100w A19; 100w PAR38; 120w BR40

# 6" & 8" Light Commercial Horizontal Frame-in

COMMERCIAL

INDUSTRIAL

DOWNLIGHTING

OUTDOOR



## FEATURES

- Fixtures are CUL Listed for through-branch wiring, NON-IC recessed mounting and damp location
- Galvanized steel mounting frame-in with mechanical trim retention (yoke) ensures secure and flush reflector mounting to ceiling
- Factory-installed captive bar hangers that span 24" and feature built-in nailers and T-bar clips
- Maximum ceiling thickness of 1½"

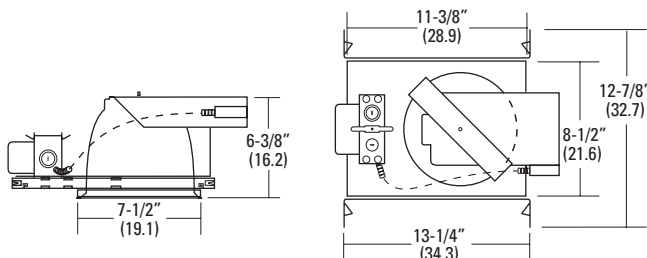
## ORDERING INFORMATION

Catalog Number	UPC	Description	Lamp Type	Wattage	Voltage*	Pallet Qty.	Standard Carton Qty.
6HF 1/26-42TRT MVOLT	745976714239	6" Horizontal Frame-in	1- Compact Fluorescent	26, 32, 42	120-277	72	1
6HF 2/18DTT MVOLT	745976714406	6" Horizontal Frame-in	2- Compact Fluorescent	18	120-277	63	1
6HF 2/26DTT MVOLT	745976714376	6" Horizontal Frame-in	2- Compact Fluorescent	26	120-277	72	1
6HF 2/26DTT MVOLT ELR	745976714307	6" Horizontal with Emergency	2- Compact Fluorescent	26	120-277	63	1
8HF 1/26-42TRT MVOLT	745976714444	8" Horizontal Frame-in	1- Compact Fluorescent	26, 32, 42	120-277	72	1
8HF 2/26-42TRT MVOLT	745976714475	8" Horizontal Frame-in	2- Compact Fluorescent	26, 32, 42	120-277	72	1
8HF 2/26DTT MVOLT	745976714482	8" Horizontal Frame-in	2- Compact Fluorescent	26	120-277	72	1

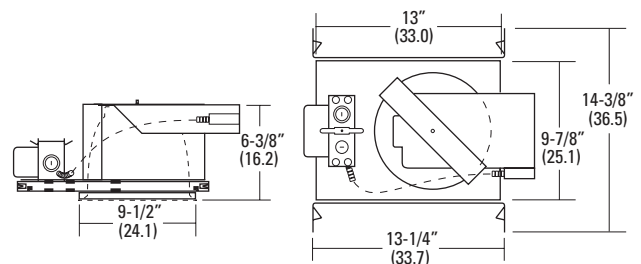
\*Also available in 347V (Example: 6HF 1/26-42TRT 347)

## DIMENSIONS

6HF



8HF





# 6" & 8" Commercial Horizontal Reflectors

## FEATURES

- Aluminum full reflectors are optically designed to maximize lumen output and provide superior glare control
- Damp location listed and lens reflectors are wet location listed
- Open reflectors are diffuse
- Black baffled reflectors have an anodized upper finish with white painted flange standard
- Glass lenses are available in a fresnel glass lens
- Glass lens provide optimal visual comfort and improved aesthetics



Diffuse



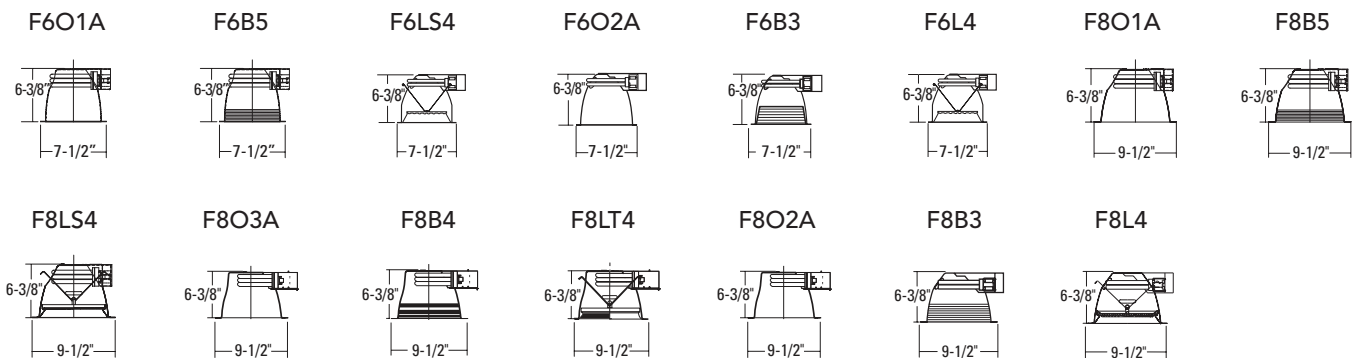
Black Baffle



## ORDERING INFORMATION

Catalog Number	UPC	Description	Pallet Qty.	Standard Carton Qty.
F601A	745980396346	1-Lamp, Triple-Tube, Horizontal, Diffuse, 6" Reflector	150	1
F6B5	745976129910	1-Lamp, Triple-Tube, Horizontal, Black Baffle, 6" Reflector	150	1
F6LS4	745975190287	1-Lamp, Triple-Tube, Horizontal, Fresnel, 6" Lens	150	1
F602A	784231083802	2-Lamp, Double Twin-Tube, Horizontal, Diffuse, 6" Reflector	180	1
F6B3	784231080986	2-Lamp, Double Twin-Tube, Horizontal, Black Baffle, 6" Reflector	150	1
F6L4	784231103470	2-Lamp, Double Twin-Tube, Horizontal, Fresnel, 6" Lens	150	1
F801A	745980396421	1-Lamp, Triple-Tube, Horizontal, Diffuse, 8" Reflector	100	1
F8B5	745976175252	1-Lamp, Triple-Tube, Horizontal, Black Baffle, 8" Reflector	100	1
F8LS4	784231000229	1-Lamp, Triple-Tube, Horizontal, Fresnel, 8" Lens	100	1
F803A	784231174159	2-Lamp, Triple-Tube, Horizontal, Diffuse, 8" Reflector	100	1
F8B4	784231000199	2-Lamp, Triple-Tube, Horizontal, Black Baffle, 8" Reflector	100	1
F8LT4	745979828674	2-Lamp, Triple-Tube, Horizontal, Fresnel, 8" Lens	100	1
F802A	784231152584	2-Lamp, Double Twin-Tube, Horizontal, Diffuse, 8" Reflector	100	1
F8B3	784231152621	2-Lamp, Double Twin-Tube, Horizontal, Black Baffle, 8" Reflector	100	1
F8L4	784231162620	2-Lamp, Double Twin-Tube, Horizontal, Fresnel, 8" Lens	100	1

## DIMENSIONS



## Contractor Select

# OUTDOOR



Security Lighting

Floodlighting

Building Mounted

Utility Vapor Tights

Work Lights

Ceiling Mount Utility

Entry Lights



## FEATURES

- Arm-mounted security light for yards, service roads and building perimeters
- Rugged, die-cast aluminum head with photocell included
- Formed aluminum reflector and open-bottom refractor for ease of maintenance and lamp replacement
- Prismatic refractor provides uniform symmetrical Type V distribution
- Mounting arm and all mounting hardware included in carton
- Lamp included

65 – 150 watts MH/HPS/CFL

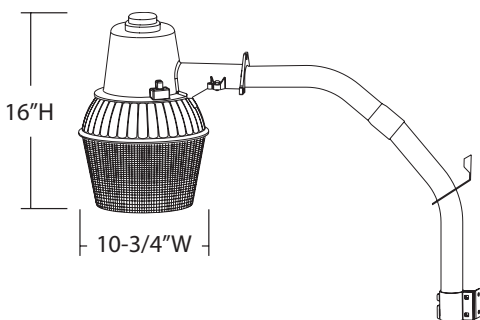


## ORDERING INFORMATION

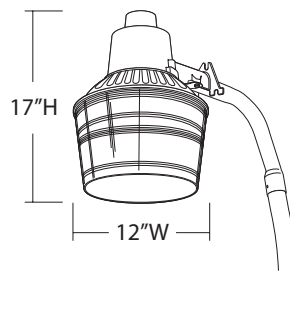
Catalog Number	UPC	Description	Wattage	Lamp Source	Voltage	Mounting Arm Length	Lamp Included	Approximate Weight (lbs)	Pallet Qty.	Standard Carton Qty.
TDD65L 120 M2	745974487494	10" Security Light	65	Fluorescent	120	18"	Y	4	32	2
TDD100ML 120 M2	745974100140	12" Security Light	100	MH	120	24"	Y	12	24	2
TDD150SL 120 M2	745973506172	12" Security Light	150	HPS	120	24"	Y	12	24	2

## DIMENSIONS

TDD (Fluorescent)



TDD (HID)



Certain airborne contaminants can diminish integrity of acrylic. See pg.116 for Acrylic Compatibility table for suitable uses.

## ACCESSORIES

- **CF65QT41 M6**  
Replacement for 65W fluorescent lamp
- **RK1 TDDLENS M6**  
Security Light Replacement Lens (not available on the 65W fluorescent version)

# HPS / MH Floodlighting

50 – 150 watts



## FEATURES

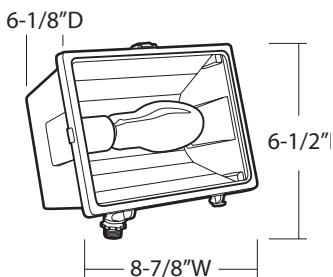
- Ideal for signs, landscaping and commercial building facades
- Rugged, die-cast aluminum housing is ribbed for maximum heat dissipation
- Anodized aluminum reflectors with high efficiency and wide beam spread
- Tempered glass lens with high-temperature gasket seals against moisture and contaminants
- Micro floodlights feature adjustable mounting knuckle with ½" NPS threaded stem
- EISA compliant
- Lamp included

## ORDERING INFORMATION

Catalog Number	UPC	Description	Wattage	Lamp Source	Voltage	Finish	Lamp Included	Approximate Weight (lbs)	Pallet Qty.	Standard Carton Qty.
F50SL 120 M6	745973505496	Micro Floodlight	50	HPS	120	Dark Bronze	Y	7	144	6
F70SL 120 M6	745973505441	Micro Floodlight	70	HPS	120	Dark Bronze	Y	7	180	6
F100SL 120 M6	745973505502	Micro Floodlight	100	HPS	120	Dark Bronze	Y	7	144	6
F150SL 120 M6	745973505380	Micro Floodlight	150	HPS	120	Dark Bronze	Y	7	180	6
F70ML 120 M6	745973505489	Micro Floodlight	70	MH	120	Dark Bronze	Y	7	144	6
F100ML 120 M6	745973817872	Micro Floodlight	100	MH	120	Dark Bronze	Y	7	144	6

## DIMENSIONS

Micro





## FEATURES

- Ideal for signs, landscape lighting and commercial or residential building facades
- Rugged, die-cast aluminum housing is ribbed for maximum heat dissipation
- Anodized aluminum reflectors with high efficiency and wide beam spread
- Adjustable mounting knuckle with ½" NPS threaded stem
- F500QLD features a cast door

13 – 500 watts

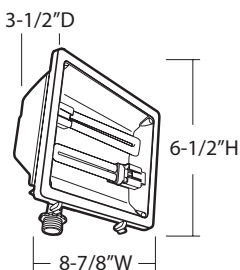


## ORDERING INFORMATION

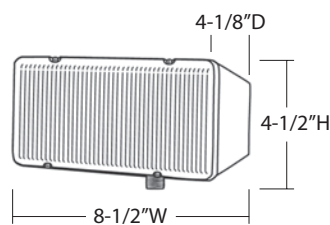
Catalog Number	UPC	Description	Wattage	Lamp Source	# of Lamps	Voltage	Finish	Lamp Included	Approximate Weight (lbs)	Pallet Qty.	Standard Carton Qty.
F13L 120 M12	745973505304	Die-cast Floodlight	13	Fluorescent	1	120	Dark Bronze	Y	6	240	12
FP213L 120 M12	745973817902	Polycarbonate Floodlight	13	Fluorescent	2	120	Dark Bronze	Y	2	288	12
F213L 120 M12	745973505175	Die-cast Floodlight	13	Fluorescent	2	120	Dark Bronze	Y	6	240	12
F500QL 120 M12	745973505557	Die-cast Floodlight	500	Quartz	1	120	Dark Bronze	Y	3	240	12
F500QLD 120 M12	745973505533	Die-cast Floodlight	500	Quartz	1	120	Dark Bronze	Y	3	240	12

## DIMENSIONS

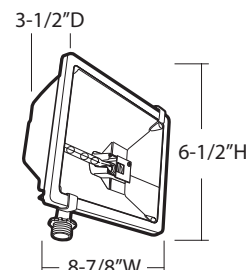
F13L & F213L



FP213L



F500



Certain airborne contaminants can diminish integrity of acrylic. See pg.116 for Acrylic Compatibility table for suitable uses.

# Building Mounted

## 150 – 400 watts HPS/MH



### FEATURES

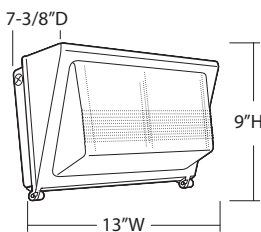
- Ideal for providing outdoor security and perimeter lighting in commercial applications
- Rugged, corrosion-resistant, die-cast aluminum back housing and hinged door frame
- Anodized aluminum reflector
- Castings are sealed with a one-piece gasket to prevent contamination
- Housing configured for mounting directly over a standard 4" outlet box
- Suitable for surface wiring via any of three convenient 3/4" threaded conduit entry hubs
- EISA compliant
- Lamp included

### ORDERING INFORMATION

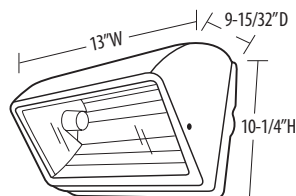
Catalog Number	UPC	Description	Wattage	Lamp Source	Voltage	Finish	Lamp Included	Approximate Weight (lbs)	Pallet Qty.	Standard Carton Qty.
TWR1 150S 120/347 LPI CSA	784231153604	Non-cutoff	150	HPS	120/347	Dark Bronze	Y	18	36	1
TWR1C 175M 120/347 LPI CSA	784231173831	Cutoff	175	MH	120/347	Dark Bronze	Y	18	30	1
TWR2 250M 120/347 LPI CSA	784231153642	Non-cutoff	250	MH	120/347	Dark Bronze	Y	26	24	1
TWR2C 250M 120/347 LPI CSA	745972958125	Cutoff	250	MH	120/347	Dark Bronze	Y	31	16	1
TWR2 400M 120/347 LPI CSA	784231153574	Non-cutoff	400	MH	120/347	Dark Bronze	Y	21	24	1
TWR2C 400M 120/347 LPI CSA	745972958132	Cutoff	400	MH	120/347	Dark Bronze	Y	25	16	1

### DIMENSIONS

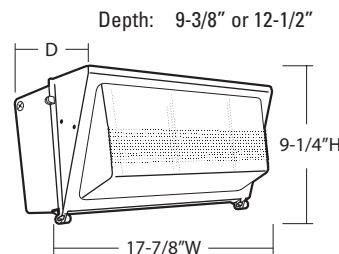
TWR1



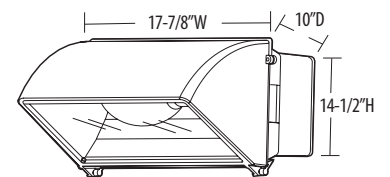
TWR1C



TWR2 250 or 400



TWR2C 250 or 400



## FEATURES

- Ideal for providing outdoor security and perimeter lighting in commercial applications
- Electrical components are mounted to cast aluminum backplate for maximum heat dissipation
- Gasketing between backplate and front cover prevents entry of water and contaminants
- Designed for wall mounting and includes knockouts for routing electrical conduit
- Lamp included

70 watt HPS

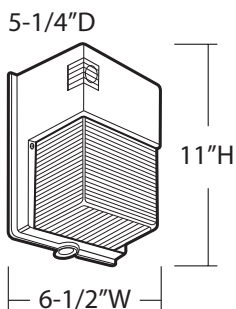


## ORDERING INFORMATION

Catalog Number	UPC	Description	Wattage	Lamp Source	Voltage	Finish	Lamp Included	Photocell Included	Approximate Weight (lbs)	Pallet Qty.	Standard Carton Qty.
W70SPL 120 M6	745973505571	Non-cutoff	70	HPS	120	Dark Bronze	Y	Y	5	144	6

## DIMENSIONS

W70SPL



# Utility Vapor Tights

COMMERCIAL

INDUSTRIAL

DOWNLIGHTING

OUTDOOR



## FEATURES

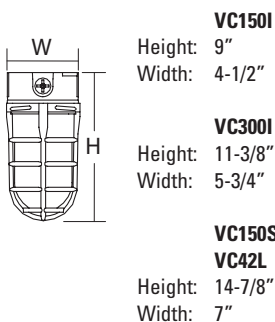
- Utility wall-, ceiling- or pendant-mounted fixtures for general purpose applications
- Designed for easy installation and maintenance
- Rugged die-cast aluminum housing with heavy-duty glass globe
- 3/4" threaded knockouts allow for side or top conduit entry
- Junction box included

## ORDERING INFORMATION

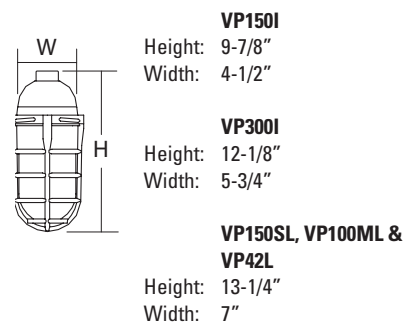
Catalog Number	UPC	Description	Wattage	Lamp Source	Voltage	Lamp Included	Approximate Weight (lbs)	Pallet Qty.	Standard Carton Qty.
VC150I M12	745973817704	Ceiling Mount	150	Incandescent	120	N	2	288	12
VP150I M12	745973817698	Pendant Mount	150	Incandescent	120	N	2	288	12
VW150I M12	745973817681	Wall Mount	150	Incandescent	120	N	2	192	12
VC300I M6	745973817674	Ceiling Mount	300	Incandescent	120	N	2	144	6
VP300I M6	745973817667	Pendant Mount	300	Incandescent	120	N	2	144	6
VW300I M6	745973817643	Wall Mount	300	Incandescent	120	N	2	72	6
VC42L M6	745973817773	Ceiling Mount	42	CFL	120	Y	6	72	6
VP42L M6	745973817759	Pendant Mount	42	CFL	120	Y	6	72	6
VW42L M6	745973817711	Wall Mount	42	CFL	120	Y	6	36	6
VC100ML M6	745973817841	Ceiling Mount	100	MH	120	Y	9	48	6
VP100ML M6	745973817834	Pendant Mount	100	MH	120	Y	8	72	6
VW100ML M6	745973817827	Wall Mount	100	MH	120	Y	10	36	6
VC150SL M6	745973817810	Ceiling Mount	150	HPS	120	Y	9	48	6
VP150SL M6	745973817803	Pendant Mount	150	HPS	120	Y	8	72	6
VW150SL M6	745973817780	Wall Mount	150	HPS	120	Y	10	36	6

## DIMENSIONS

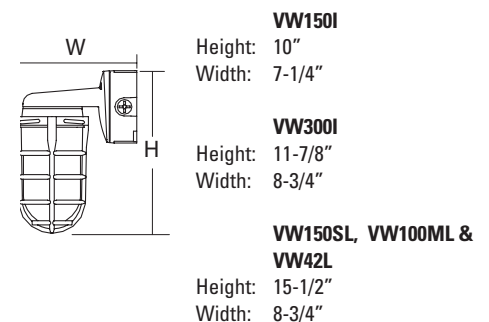
### Ceiling



### Pendant



### Wall



## FEATURES

- Temporary work light designed for residential or commercial applications
- Rugged, die-cast aluminum housing is ribbed for maximum heat dissipation
- Features die-cast aluminum door frame and tempered glass lens
- Protective wireguard and lamp included
- Portable unit has padded, insulated handlebar and a 5' cord set with grounded plug
- Tripod unit has an adjustable stand and a 7' cord set with grounded plug

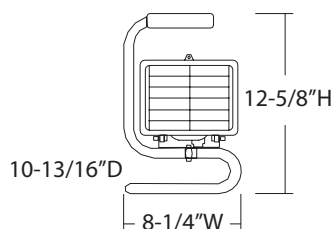


## ORDERING INFORMATION

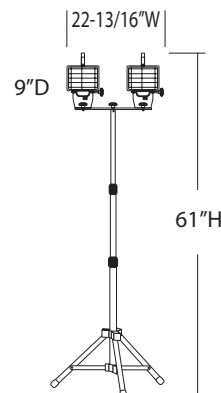
Catalog Number	UPC	Description	Wattage	Lamp Source	Voltage	Lamp Included	Approximate Weight (lbs)	Pallet Qty.	Standard Carton Qty.
F500QPL M6	745973817865	Portable Work Light	500	Quartz	120	Y	4	144	6
F2/500QTL M2	745973817858	Tripod Stand Work Light	2 x 500W	Quartz	120	Y	11	36	2

## DIMENSIONS

F500QPL



F2/500QTL





# Ceiling Mount Utility

## 70 watts MH/HPS



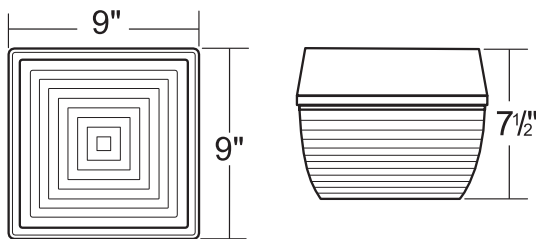
## FEATURES

- Utility ceiling fixtures for general purpose applications
- Designed for easy installation and maintenance
- Constructed from one-piece die-cast aluminum and polycarbonate, prismatic lens
- Features 3 threaded ½" NPS plugs for conduit entry
- Gasketed perimeter lens and closed-cell housing seals against moisture and contaminants

## ORDERING INFORMATION

Catalog Number	UPC	Description	Wattage	Lamp Source	Voltage	Finish	Lamp Included	Approximate Weight (lbs)	Pallet Qty.	Standard Carton Qty.
VRC70ML 120/277 M6	745974487333	Ceiling Mount Utility	70	MH	120/277	Dark Bronze	Y	9	72	6
VRC70SL 120/277 M6	745974487340	Ceiling Mount Utility	70	HPS	120/277	Dark Bronze	Y	9	72	6

## DIMENSIONS



## FEATURES

- Ideal for entranceways, stairwells and corridors
- Die-cast aluminum housing with decorative polycarbonate lens
- Bracket fixture mounts to junction boxes
- Globe and cylinder-shaped lens are included with each fixture

## 13 – 100 watts Incandescent/CFL/HPS

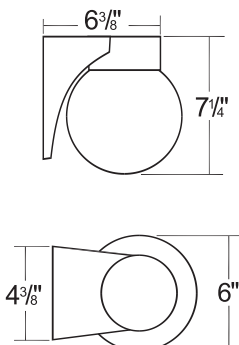


## ORDERING INFORMATION

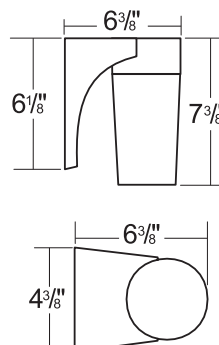
Catalog Number	UPC	Description	Wattage	Voltage	Finish	Lamp Included	Approximate Weight (lbs)	Pallet Qty.	Standard Carton Qty.
JJ13L 120 M6	745974487173	Fluorescent Entry Light	13	120	Dark Bronze	Y	3	72	6
JJ13LW 120 M6	745974487258	Fluorescent Entry Light	13	120	White	Y	3	72	6
JJ50SL 120 M6	745974487203	HPS Entry Light	50	120	Dark Bronze	Y	4	72	6
JJ50SLW 120 M6	745974487296	HPS Entry Light	50	120	White	Y	4	72	6
JJ100I M6	745974487142	Incandescent Entry Light	100	120	Dark Bronze	N	3	72	6
JJ100IW M6	745974487227	Incandescent Entry Light	100	120	White	N	3	72	6

## DIMENSIONS

JJ (Globe)



JJ (Cylinder)



Certain airborne contaminants can diminish integrity of acrylic. See pg.116 for Acrylic Compatibility table for suitable uses.

# BRAND STRENGTH

Lithonia Lighting is more than a brand, it is the most recognized and trusted name in the lighting industry. Our reputation for value and performance is built on over 65 years of product expertise and service excellence. The strength of the Lithonia Lighting name provides customers with the assurance that their expectations will be met.

# PRODUCT STRENGTH

From I-BEAM to Reality, Lithonia Lighting offers the broadest stock portfolio in the electrical lighting industry. With solutions that cover all product categories, from indoor to outdoor to lighting controls, you are certain to find the ideal product for any application.

# SERVICE STRENGTH

As an industry leader, we are determined to provide superior value to our customers. Whether it's our strong agency sales force, our quick shipment opportunities or our innovative service capabilities such as LDC and EDI, our goal is to make selecting, ordering and receiving the product easy.



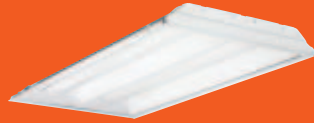
# RELIABLE

With over 65 years of expertise, quality and dependability, Lithonia Lighting provides the industry's strongest stock portfolio of products.

# SUPPLEMENTAL STOCK

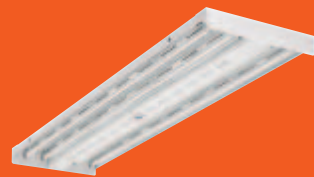
## COMMERCIAL

FLUORESCENT AND LED



Volumetric Lighting .....	46-47
Troffers .....	48-49
Parabolics .....	50
Energy-Saving, Louvered .....	51
Wraps .....	52-53
Lensed Surface Mount .....	54
Flush and Semi-Flush .....	55
Litepuff .....	56-57
Wall Brackets .....	58
Strip Lights .....	59-61
Undercabinets .....	62-65 <b>LED</b>

## INDUSTRIAL



Industrial Strips .....	68-69
Fluorescent High Bays .....	70-71
HID High Bays .....	72
HID Low Bays .....	73
Wet Location Industrial .....	74
Enclosed Industrial .....	75

## DOWNLIGHTING

RESIDENTIAL



6" LED Housings .....	78 <b>LED</b>
6" LED Trims .....	79 <b>LED</b>
LED Modules & Housings .....	80-81 <b>LED</b>
6" Housings .....	82
6" Trims .....	83

COMMERCIAL

6", 8" Vertical Frame-in .....	84
6", 8" Vertical Reflectors .....	85
6", 8" Horizontal Frame-in .....	86
6", 8" Horizontal Reflectors .....	87

## OUTDOOR



Floodlighting .....	90-93 <b>LED</b>
Building Mounted .....	94-96 <b>LED</b>
Security Lighting .....	97 <b>LED</b>
Area Lighting .....	98-99

## SENSOR SWITCH



Wall Switch Sensors .....	102
Low Voltage .....	103
Power Packs .....	103
Line Voltage .....	104
Photocontrols .....	105-106
Timer Switches .....	107









# COMMERCIAL

- Volumetric Lighting
- Troffers
- Parabolics
- Energy-Saving, Louvered
- Wraps
- Lensed Surface Mount
- Flush and Semi-Flush
- Litepuff
- Wall Brackets
- Strip Lights
- Undercabinets

# Volumetric Lighting

## 2RT5



## FEATURES

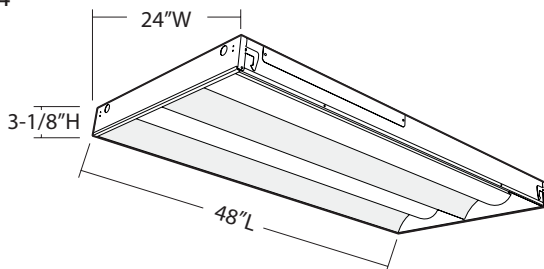
- Ideal for volumetric lighting applications such as offices, schools, hospitals and retail applications
- Low profile 3-1/8" depth makes RT5™ fixture perfect for applications where plenum height is a factor
- Two-piece refractor system includes micro-facets that echo the frequency of the prisms in the refractor, providing a quiet appearance in the ceiling
- Step-dimming options (available with GEB95S ballast) allow the system to be switched to 50% power for compliance with common energy codes

## ORDERING INFORMATION

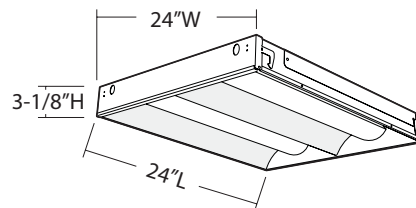
Catalog Number	UPC	Description	# of Lamps	Wattage	Voltage	Reflector Type	Lamp Included	Pallet Qty.	Standard Carton Qty.
2RT5 28T5 MVOLT GEB95 LPM835P	784231013816	2x4 T5, Recessed Volumetric Lighting	2	28	120 - 277	Steel	Y	28	1
2RT5 28T5 MVOLT GEB95S LPM835P	784231002377	2x4 T5, Recessed Volumetric Lighting	2	28	120 - 277	Steel	Y	28	1
2RT5 14T5 MVOLT GEB115 LP835	784231001264	2x2 T5, Recessed Volumetric Lighting	2	14	120 - 277	Steel	Y	56	1

## DIMENSIONS

2RT5 2x4



2RT5 2x2



Certain airborne contaminants can diminish integrity of acrylic. See pg.116 for Acrylic Compatibility table for suitable uses.

### FEATURES

- Ideal for volumetric lighting applications such as offices, schools, hospitals and retail applications
- Low profile 3-3/16" depth makes RT8S ideal for applications where plenum height is a factor
- Reflector includes micro-facets that echo the frequency of the prisms in the refractor providing a quiet appearance in the ceiling
- Features a 98% reflective Alanod Miro silver optical assembly

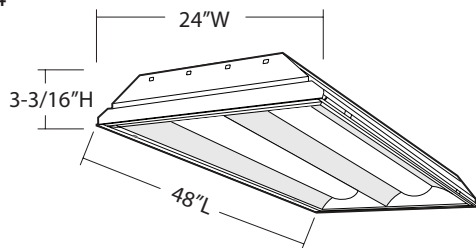


### ORDERING INFORMATION

Catalog Number	UPC	Description	# of Lamps	Length	Wattage	Voltage	Reflector Type	Lamp Included	Pallet Qty.	Standard Carton Qty.
2RT8S 2 32 MVOLT GEB10IS CSA	745972956848	2x4 T8, Recessed Volumetric Lighting	2	48"	32	120 - 277	Steel	N	28	1

### DIMENSIONS

2RT8S 2x4



Certain airborne contaminants can diminish integrity of acrylic. See pg.116 for Acrylic Compatibility table for suitable uses.

# Lensed Troffers

## 2GT8



## FEATURES

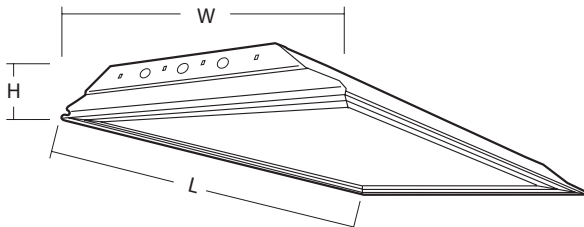
- Recessed lensed fixture for grid T-bar ceilings
- Low-profile design ideal for restricted plenum applications
- Smooth hemmed sides and smooth ends promote easy handling during installation
- Standard steel door frame has superior structural integrity with premium extruded appearance and mitered corners
- 100% acrylic lens with prism pattern

## ORDERING INFORMATION

(For Hydro approved ballasts replace GEB101S with: Osram - OS10ISX or Phillips - AINP)

Catalog Number	UPC	Description	# of Lamps	Wattage	# of Ballast	Voltage	Pre-Wired	Lamp Included	Lamp Type	Standard	
										Pallet Qty.	Carton Qty.
2GT8 2 32 A12 MVOLT GEB101S CSA	784231002933	2x4 Recessed Troffer	2	32	1	120 - 277	N	N	-	28	1
2GT8 2 U316 A12 MVOLT GEB101S CSA	784231002124	2x2 Recessed Troffer	2	32-U lamp	1	120 - 277	N	N	-	56	1
2GT8 3 32 A12 MVOLT 1/3 GEB101S CSA	784231012796	2x4 Recessed Troffer	3	32	1	120 - 277	N	N	-	28	1
2GT8 4 32 A12 MVOLT 1/4 GEB101S CSA	784231002940	2x4 Recessed Troffer	4	32	1	347	N	N	-	28	1
2GT8 2 32 A12 347 GEB BDP CSA	745973755457	2x4 Recessed Troffer	2	32	1	347	N	N	-	28	1
2GT8 2 U316 A12 347 GEB BDP CSA	745973917473	2x2 Recessed Troffer	2	32-U lamp	1	347	N	N	-	56	1
2GT8 3 32 A12 347 1/3 GEB BDP CSA	745973716892	2x4 Recessed Troffer	3	32	1	347	N	N	-	28	1
2GT8 4 32 A12 347 1/4 GEB BDP CSA	745973886779	2x4 Recessed Troffer	4	32	1	347	N	N	-	28	1
GT8 2 32 A12 347 GEB BDP CSA	745973916124	1X4 Recessed Troffer	2	32	1	347	N	N	-	40	1
GT8 2 32 A12 MVOLT GEB101S CSA	784231013281	1X4 Recessed Troffer	2	32	1	120 - 277	N	N	-	40	1

## DIMENSIONS



Width: 12" (1x4) or 24" (2x2; 2x4)  
 Length: 24" (2x2) or 48" (1x4; 2x4)  
 Height: 4-1/2" (1x4) or 3-3/16" (2x2; 2x4)

## ACCESSORIES

- **DGA14** Drywall Grid Adapter (Use with any 1x4 grid fixture)
- **DGA22** Drywall Grid Adapter (Use with any 2x2 grid fixture)
- **DGA24** Drywall Grid Adapter (Use with any 2x4 grid fixture)
- **L2GT8 A12** Replacement Lens for 2x4 Lensed Troffer

Certain airborne contaminants can diminish integrity of acrylic. See pg.116 for Acrylic Compatibility table for suitable uses.

### FEATURES

- Features optimum mix of directional and diffuse reflected light for balanced illumination
- Available in 2'x2' and 2'x4' symmetric distributions for general area lighting
- Injection-molded plastic light traps prevent light leaks between shielding and end plates
- Matte-white polyester powder paint finished reflectors provide uniform light distribution



### ORDERING INFORMATION

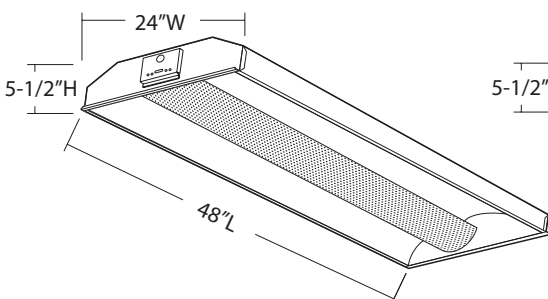
(For Hydro approved ballasts replace GEB101S with: Osram - OS10ISX or Phillips - AINP)

Catalog Number	UPC	Description	# of Lamps	Length	Wattage	Voltage*	Lamp Included	Pallet Qty	Standard Carton Qty
2AV G 2 17 MDR MVOLT GEB10IS	745972199269	2x2 Recessed Direct/Indirect	2	24"	17	120 - 277	N	28	1
2AV G 2 32 MDR MVOLT GEB10IS	784231145494	2x4 Recessed Direct/Indirect	2	48"	32	120 - 277	N	14	1
2AV G 2 CF40 MDR MVOLT GEB10RS	784231145524	2x2 Recessed Direct/Indirect	2	24"	40	120 - 277	N	28	1
AVSM 2 32 MDR DLS MVOLT GEB10IS	784231164211	1x4 Surface or Suspended, Direct/Indirect	2	48"	32	120 - 277	N	21	1
2AV G 3 17 MDR MVOLT GEB10IS	745972189413	2x2 Recessed Direct/Indirect	3	24"	17	120 - 277	N	28	1
2AV G 3 32 MDR MVOLT 1/3 GEB10IS	784231145517	2x4 Recessed Direct/Indirect	3	48"	32	120 - 277	N	14	1
2AV G 3 32 MDR MVOLT GEB10IS	784231145500	2x4 Recessed Direct/Indirect	3	48"	32	120 - 277	N	14	1

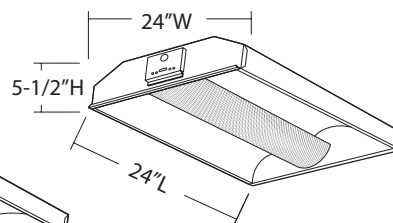
\*Also available in 347V

### DIMENSIONS

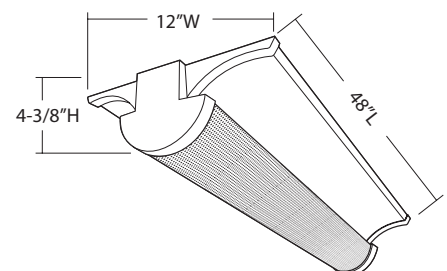
2AV 2x4



2AV 2x2



AVSM 1x4



Certain airborne contaminants can diminish integrity of acrylic. See pg.116 for Acrylic Compatibility table for suitable uses.



# Parabolics

## 2PM3N



## FEATURES

- Designed for use in open area applications where optical control, visual comfort and light cut-off are important
- Hemmed sides and ends provide smooth edges for easy handling during installation
- Mitered corners and interlocking construction assure precise parabolic shaped louver
- Integral T-bar safety clips hold fixture to T-bar securely; no fasteners required
- Hinges die-formed for maximum strength
- Spring action latches concealed in black reveal
- 2'x4' features 18-cell louver with semi-specular (Diffuse) finish; 2'x2' features 9-cell louver in same finish

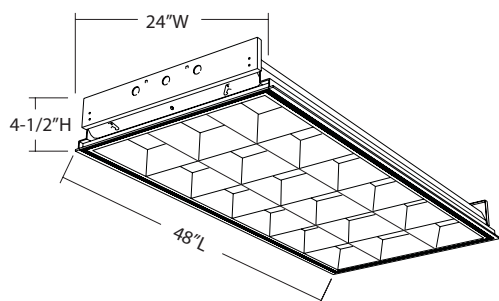
## ORDERING INFORMATION

(For Hydro approved ballasts replace GEB101S with: Osram - OS10ISX or Phillips - AINP)

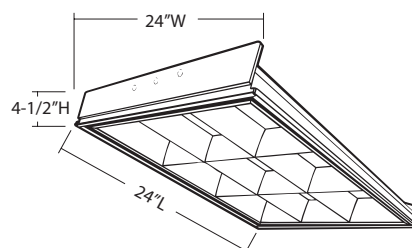
Catalog Number	UPC	Description	# of Lamps	Wattage	# of Ballast	Voltage	Pre-Wired	Lamp Included	Lamp Type	Standard Pallet Qty.	Standard Carton Qty.
2PM3N G B 2 32 18LD MVOLT GEB101S CSA	745981146667	2x4 Recessed, Static	2	32	1	120 - 277	N	N	-	20	1
2PM3N G B 3 32 18LD MVOLT GEB101S CSA	745980942475	2x4 Recessed, Static	3	32	2	120 - 277	N	N	-	20	1
2PM3N G B 3 32 18LD 347 GEB101S BDP CSA	745973867013	2x4 Recessed, Static	3	32	2	347	N	N	-	20	1
2PM3N G B 3 32 18LD 347 1/3 GEB101S BDP CSA	745973751794	2x4 Recessed, Static	3	32	1	347	N	N	-	20	1
2PM3N G B 3 32 18LD MVOLT 1/3 GEB101S CSA	784231002179	2x4 Recessed, Static	3	32	1	120 - 277	N	N	-	20	1
2PM3N G B 2 U316 9LD MVOLT GEB101S CSA	784231002162	2x2 Recessed, Static	2	32-U lamp	1	120 - 277	N	N	-	40	1

## DIMENSIONS

2PM3N 2x4



2PM3N 2x2



### FEATURES

- Provides a high-performance T8 (HPT8) energy-saving alternative to 3-lamp, 18-cell parabolic fixtures
- 2ES8P can provide 44% energy savings while meeting IESNA recommended illuminance levels
- Highly reflective surfaces combine with efficient design to produce up to 86% photometric efficiency
- Combining robust design, precision-tooling and automated assembly creates the industry's strongest louver



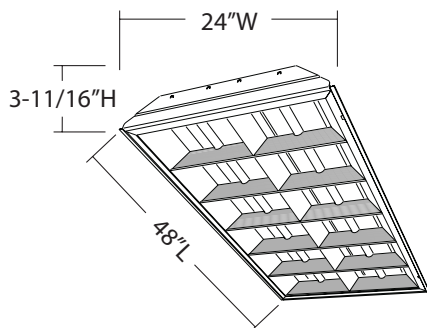
### ORDERING INFORMATION

Catalog Number	UPC	Description	# of Lamps	Length	Wattage	Voltage*	Ballast Type	Lamp Included	Pallet Qty.	Standard Carton Qty.
2ES8P 232 BILP L835HT8	745973870372	2x4 Energy-Saving T8	2	48"	32	120 - 277	T8, Low Ballast Factor	Y	24	1
2ES8P 232 BINP	745974277934	2x4 Energy-Saving T8	2	48"	32	120 - 277	T8, Normal Ballast Factor	N	24	1
2ES8P 232 BINP L835HT8	745973900857	2x4 Energy-Saving T8	2	48"	32	120 - 277	T8, Normal Ballast Factor	Y	24	1
2ES8P 217 BIHP L835HT8	745973900635	2x2 Energy-Saving T8	2	24"	17	120 - 277	T8, High Ballast Factor	Y	48	1

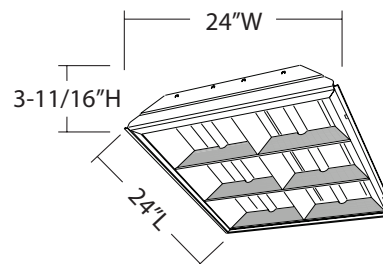
\*Also available in 347V

### DIMENSIONS

2ES8P 2x4



2ES8P 2x2



# Curved-Basket Wraps

LB



## FEATURES

- Designed for applications requiring a clean, decorative appearance
- Provides high angle brightness control
- Acrylic prismatic diffuser with luminous ends soften appearance
- Intended for surface or stem mounting, unit or row installation

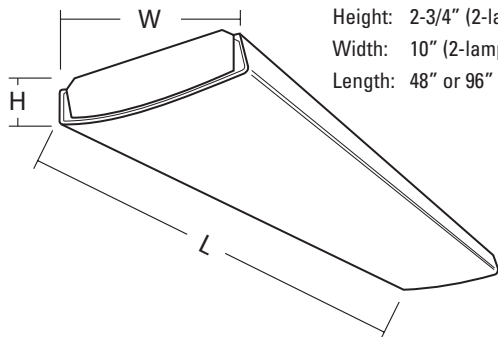
## ORDERING INFORMATION

(For Hydro approved ballasts replace GEB101S with: Osram - OS10ISX or Phillips - AINP)

Catalog Number	UPC	Description	# of Lamps	Wattage	# of Ballast	Voltage*	Lamp Included	Pallet Qty.	Standard Carton Qty.
LB 2 17 MVOLT GEB101S	745972176260	Curved-Profile, Wraparound	2	17	1	120-277	N	56	1
LB 2 32 MVOLT GEB101S	784231151105	Curved-Profile, Wraparound	2	32	1	120-277	N	56	1
LB 3 32 MVOLT 1/3 GEB101S	784231151112	Curved-Profile, Wraparound	3	32	1	120-277	N	34	1
LB 4 32 MVOLT GEB101S	784231163979	Curved-Profile, Wraparound	4	32	2	120-277	N	34	1
LB 4 32 MVOLT 1/4 GEB101S	784231151129	Curved-Profile, Wraparound	4	32	1	120-277	N	34	1
TLB 2 32 MVOLT 1/4 GEB101S	784231159385	Tandem, Curved-Profile Wraparound	4	32	1	120-277	N	42	1

\*Also available in 347V

## DIMENSIONS



Height: 2-3/4" (2-lamp) or 3" (3- and 4-lamp)  
 Width: 10" (2-lamp) or 15-3/8" (3- and 4-lamp)  
 Length: 48" or 96" (tandem)

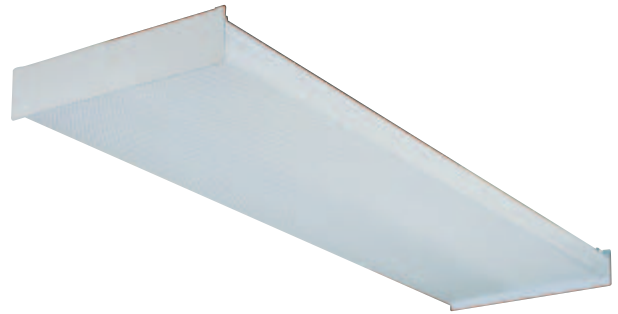
## ACCESSORIES

- **DLB48** 48" Replacement Lens for 2-Lamp
- **D2LB48** 48" Replacement Lens for 4-Lamp

Certain airborne contaminants can diminish integrity of acrylic. See pg.116 for Acrylic Compatibility table for suitable uses.

### FEATURES

- Designed for applications requiring the clean appearance of a flat bottom diffuser
- 100% acrylic prismatic diffuser
- Diffuser hinges open from both sides for easy cleaning and service
- Intended for surface or stem mounting, unit or row installation



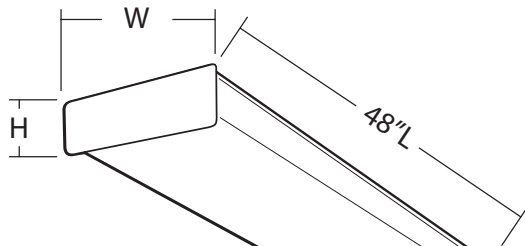
### ORDERING INFORMATION

(For Hydro approved ballasts replace GEB101S with: Osram - OS10ISX or Phillips - AINP)

Catalog Number	UPC	Description	# of Lamps	Length	# of Ballast	Wattage	Voltage*	Ballast Type	Lamp Included	Pallet Qty.	Standard Carton Qty.
SB 2 32 120 RE	784231170809	Square-Profile, Wraparound	2	48"	1	32	120	Residential, Electronic	N	75	1
SB 2 32 MVOLT GEB10IS	784231149973	Square-Profile, Wraparound	2	48"	1	32	120-277	Electronic, Instant Start	N	75	1
SB 2 32 347 GEB BDP CSA	745973914076	Square-Profile, Wraparound	2	48"	1	32	347	Electronic, Instant Start	N	75	1
SB 4 32 MVOLT 1/4 GEB10IS	784231149980	Square-Profile, Wraparound	4	48"	1	32	120-277	Electronic, Instant Start	N	42	1

\*Also available in 347V

### DIMENSIONS



Height: 2-5/8" (2-lamp) or 2-7/8" (4-lamp)  
 Width: 8-5/8" (2-lamp) or 13-3/4" (4-lamp)

### ACCESSORIES

- **DSB48** 48" Replacement Lens for 2-Lamp
- **D2SB48** 48" Replacement Lens for 4-Lamp

Certain airborne contaminants can diminish integrity of acrylic. See pg.116 for Acrylic Compatibility table for suitable uses.

# Lensed Surface Mount

## M



## FEATURES

- Ideal for general illumination in commercial offices and indoor retail applications
- Standard steel door frame has superior structural integrity with premium extruded appearance and precision flush mitered corners
- Steel door allows easy lens replacement without frame disassembly
- For surface or stem mounting, unit or row installation

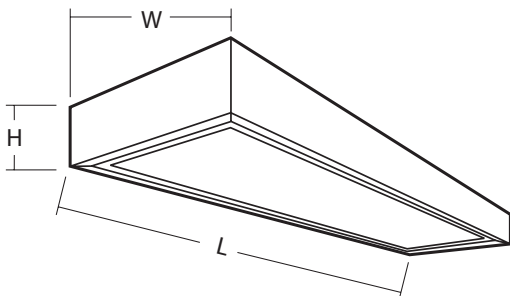
## ORDERING INFORMATION

(For Hydro approved ballasts replace GEB101S with: Osram - OS10ISX or Phillips - AINP)

Catalog Number	UPC	Description	# of Lamps	Wattage	# of Ballast	Voltage*	Ballast Type	Lamp Included	Pallet Qty.	Standard Carton Qty.
M 2 32 A12 MVOLT GEB101S	784231159217	1x4 Modular Lensed Surface Mount	2	32	1	120-277	Electronic	N	16	1
2M 2 U316 A12 MVOLT GEB101S	784231159163	2x2 Modular Lensed Surface Mount	2	32-U lamp	1	120-277	Electronic	N	20	1
2M 4 32 A12 MVOLT 1/4 GEB101S	784231163986	2x4 Modular Lensed Surface Mount	4	32	1	120-277	Electronic	N	10	1

\*Also available in 347V

## DIMENSIONS



Width: 12-1/4" (1x4) or 24-1/4" (2x2; 2x4)  
 Length: 24" (2x2) or 48" (1x4; 2x4)  
 Height: 4-3/4" (1x4) or 3-1/2" (2x2; 2x4)

Certain airborne contaminants can diminish integrity of acrylic. See pg.116 for Acrylic Compatibility table for suitable uses.



## FEATURES

- Ideal for use in foyers, hallways, bedrooms, offices, utility work areas, stairways and many other rooms in the house
- Hidden cam-latches provide easy diffuser removal for installation and maintenance
- Features stay-white, acrylic diffuser, available in three sizes: 11", 14", and 19"

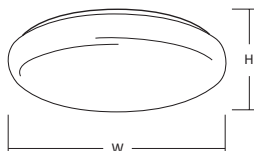
## Low-Profile Round



## ORDERING INFORMATION

Catalog Number	UPC	Description	# of Lamps	Wattage	# of Ballast	Voltage	Lamp Included	Pallet Qty.	Standard Carton Qty.
FMLR11 2 13DTT M4	784231153086	Small Flush, DTT Lamp	2	13	1	120	N	96	4
FMLR 22 M4	784231153024	Small Flush, Circline Lamp	1	22	1	120	N	72	4
FMLR14 2 18DTT M4	784231153093	Medium Flush, DTT Lamp	2	18	1	120	N	48	4
FMLR 54 M4	784231153031	Medium Flush, Circline Lamp	2	1-22W & 1-32W	1	120	N	32	4
FMLR19 3 26DTT M4	784231153109	Large Flush, DTT Lamp	3	26	1	120	N	32	4
FMLR 72 M4	784231153048	Large Flush, Circline Lamp	2	1-32W & 1-40W	1	120	N	32	4

## DIMENSIONS



Height: 3-1/4" (small), 3-1/2" (medium), 3-5/8" (large flush) or 3-5/8" (large flush circline)  
 Width: 11" (small), 13-3/4" (medium), 19-1/4" (large flush), or 19-1/4" (large flush circline)

## FEATURES

- Ideal for use in foyers, hallways, bedrooms, offices, utility work areas, stairways, and many other rooms in the house
- Fixture can be flush or semi-flush mounted, matching canopy and stems included for semi-flush mounting
- Twin steel rings surround a dropped durable, milk-white acrylic diffuser
- Includes 26W compact double twin tube (DTT) 4-pin 3500K fluorescent lamp(s) for energy efficiency, superior color rendering and long life

## Saturn



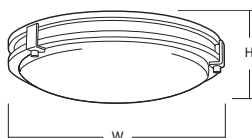
## ORDERING INFORMATION

Catalog Number	UPC	Description	# of Lamps	Wattage	# of Ballast	Voltage	ENERGY STAR® Qualified	Lamp Included	Pallet Qty.	Standard Carton Qty.
11750 BN M4	784231173183	Small Flush/Semi-Flush, Brushed Nickel	1	26	1	120	Y	Y	48	4
11750 BZA M4	745972433400	Small Flush/Semi-Flush, Antique Bronze	1	26	1	120	Y	Y	48	4
11752 BN M4	784231173190	Large Flush/Semi-Flush, Brushed Nickel	2	26	1	120	Y	Y	48	4
11752 BZA M4	745972432779	Large Flush/Semi-Flush, Antique Bronze	2	26	1	120	Y	Y	48	4

## DIMENSIONS

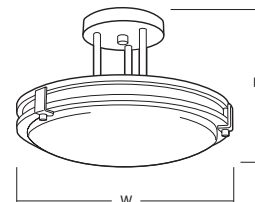
### Saturn (Flush)

Height: 3-1/8" (small), or 3-1/4" (large)  
 Width: 13" (small), or 16" (large)



### Saturn (Semi-Flush)

Height: 8-3/8" (small), or 8-5/8" (large)  
 Width: 13" (small), or 16" (large)



# Litepuff

## Ceiling



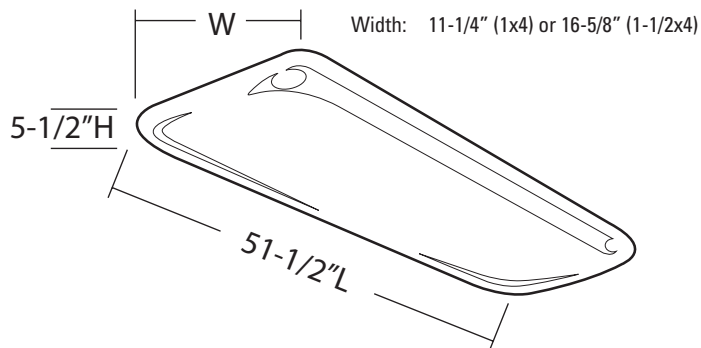
## FEATURES

- Ideal for use in offices and all rooms in the house
- Durable, milk white acrylic diffuser provides wide spread, uniform illumination and allows easy access for cleaning and maintenance
- Decorative contoured distinctive linear design complements a variety of decors

## ORDERING INFORMATION

Catalog Number	UPC	Description	# of Lamps	Length	Wattage	Voltage	Ballast Type	ENERGY STAR® Qualified	Lamp Included	Pallet Qty.	Standard Carton Qty.
10640RE	784231166994	1x4 Linear Surface Mount	2	51.5"	32	120	Residential Electronic	Y	N	30	1
10642RE	784231167007	1-1/2x4 Linear Surface Mount	4	51.5"	32	120	Residential Electronic	Y	N	22	1

## DIMENSIONS



## FEATURES

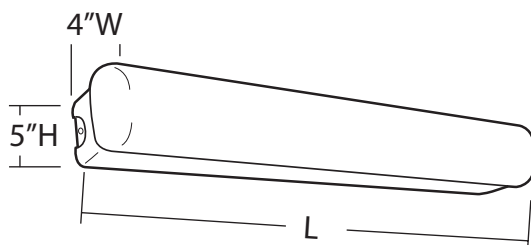
- Ideal for use as lighting in bathroom/lavatories, over hospital beds, hallways/corridors stairways and utility areas
- Durable milk-white acrylic diffuser provides a widespread uniform illumination
- Suitable for vertical or horizontal mounting



## ORDERING INFORMATION

Catalog Number	UPC	Description	# of Lamps	Length	Wattage	Voltage	Ballast Type	ENERGY STAR® Qualified	Lamp Included	Pallet Qty.	Standard Carton Qty.
11890RE	784231163672	2' Vanity Light	2	27"	17	120	Residential Electronic	Y	N	70	1
11891RE	784231163689	3' Vanity Light	2	39"	25	120	Residential Electronic	Y	N	70	1
11892RE	784231163696	4' Vanity Light	2	51"	32	120	Residential Electronic	Y	N	70	1

## DIMENSIONS



Length: 27" (2'), 39" (3') or 51" (4')

# Wall Brackets

COMMERCIAL

INDUSTRIAL

DOWNLIGHTING

OUTDOOR



## FEATURES

- Ideal for stairwells, corridors, lavatories or any utility application
- For wall or ceiling mounting — vertical or horizontal
- Provides up/down distribution
- Available in 4' configurations with two lamps in cross section

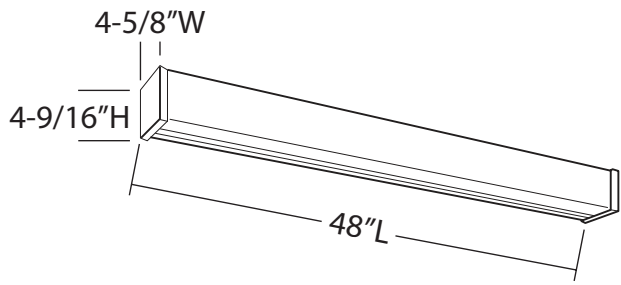
## ORDERING INFORMATION

Catalog Number	UPC	Description	# of Lamps	Length	Wattage	Voltage*	Ballast Type	Lamp Included	Pallet Qty.	Standard Carton Qty.
WC 2 32 MVOLT GEB10IS CSA	784231002575	4' Commercial Wall Bracket	2	48"	32	120 - 277	Electronic, Instant Start	N	20	1
WP 2 32 MVOLT GEB10IS	784231176207	4' Premium Wall Bracket	2	48"	32	120 - 277	Electronic, Instant Start	N	40	1

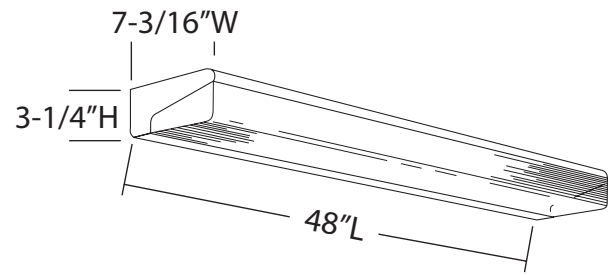
\*Also available in 347V

## DIMENSIONS

WC



WP



# General Purpose Strip Lights

C

## FEATURES

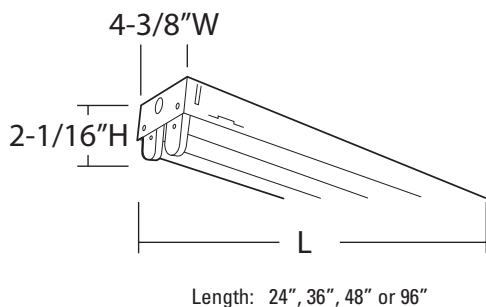
- Suitable for applications such as retail, commercial and light industrial
- Wide-body construction, die-formed from Code-gauge steel with white enamel finish
- Sturdy channel cover secured by captive quarter-turn latch for easy access to wireway
- End plate used for continuous row installation applications
- Ideal for surface or suspended mounting



## ORDERING INFORMATION

Catalog Number	UPC	Description	# of Lamps	Length	Wattage	Voltage	Ballast Type	Lamp Included	Standard	
									Pallet Qty.	Carton Qty.
C 1 32 MVOLT GEB10IS	745977592621	T8 General Purpose Strip	1	48"	32	120 - 277	Electronic, Instant Start	N	99	1
C 2 17 MVOLT GEB10IS	745972173610	T8 General Purpose Strip	2	24"	17	120 - 277	Electronic, Instant Start	N	198	1
C 2 25 MVOLT GEB10IS	745972162355	T8 General Purpose Strip	2	36"	25	120 - 277	Electronic, Instant Start	N	99	1
C 2 32 120 RE	784231170830	T8 General Purpose Strip	2	48"	32	120	Residential Electronic	N	99	1
C 2 32 MVOLT GEB10IS	784231151082	T8 General Purpose Strip	2	48"	32	120 - 277	Electronic, Instant Start	N	99	1
C 2 32 347 GEB BDP CSA	745973801581	T8 General Purpose Strip	2	48"	32	347	Electronic, Instant Start	N	99	1
C 2 96T8 MVOLT GEB10IS	784231163993	T8 General Purpose Strip	2	96"	59	120 - 277	Electronic, Instant Start	N	99	1
TC 2 32 MVOLT 1/4 GEB10IS	784231159248	Tandem, T8 General Purpose Strip	4	96"	32	120 - 277	Electronic, Instant Start	N	99	1
TC 2 32 347 1/4 GEB10IS BDP CSA	745973751336	Tandem, T8 General Purpose Strip	4	96"	32	347	Electronic, Instant Start	N	99	1

## DIMENSIONS



## ACCESSORIES

- **CASR48** 48" Asymmetric Reflector, White
- **CSMR48** 48" Symmetric Reflector, White
- **WGCUN NST** 48" Base Wireguard, White
- **HC36 M12** 36" Hanger Chain



# Low-Profile Z Strips

## T5 Lamps



## FEATURES

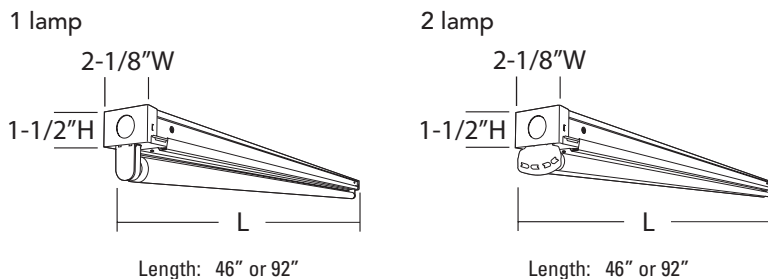
- Secure fit design of the patent-pending channel cover allows for easy access and quick attachment
- Patent-pending “three point” row aligner locks channel together for straighter, faster row assembly without fasteners
- Pre-loaded sockets improves speed of installation and reduces potential socket breakage
- Compact “gripper back” channel offers structural strength and reduces shipping damage
- Easy “snap n’ lock” end plates allow for quick attachment and exact fit
- Improved “locking track” lamp holder enhances channel strength and lamp stability

## ORDERING INFORMATION

Catalog Number	UPC	Description	# of Lamps	Length	Wattage	Voltage*	Lamp Included	Pallet Qty.	Standard Carton Qty.
Z 1 28T5 MVOLT GEB10PS	745975499199	T5 Low-Profile Strip	1	46"	28	120 - 277	N	224	1
Z 1 54T5HO MVOLT GEB10PS	745975499236	T5 Low-Profile Strip	1	46"	54	120 - 277	N	224	1
Z 2 28T5 MVOLT GEB10PS	745975499274	T5 Low-Profile Strip	2	46"	28	120 - 277	N	224	1
Z 2 54T5HO MVOLT GEB10PS	745975499304	T5 Low-Profile Strip	2	46"	54	120 - 277	N	224	1
TZ 1 28T5 MVOLT GEB10PS	745975499212	Tandem, T5 Low-Profile Strip	2	92"	28	120 - 277	N	224	1
TZ 1 54T5HO MVOLT GEB10PS	745975499267	Tandem, T5 Low-Profile Strip	2	92"	54	120 - 277	N	224	1
TZ 2 28T5 MVOLT GEB10PS	745975499298	Tandem, T5 Low-Profile Strip	4	92"	28	120 - 277	N	224	1
TZ 2 54T5HO MVOLT GEB10PS	745975499328	Tandem, T5 Low-Profile Strip	4	92"	54	120 - 277	N	224	1
TZ 2 54T5HO MVOLT 1/4 GEB10PS	745975809233	Tandem, T5 Low-Profile Strip	4	92"	54	120 - 277	N	224	1

\*Also available in 347V

## DIMENSIONS



## ACCESSORIES

- **Z5ASR46** 46" Asymmetric Reflector, White
- **Z5ASR46 SSR** 46" Asymmetric Reflector, Specular
- **Z5SMR46** 46" Symmetric Reflector, White
- **Z5SMR46 SSR** 46" Symmetric Reflector, Specular
- **WGZ46** 46" Base Wireguard, White
- **ZSPRG M50** Z Spring Hanger (Master Pack of 50)

# Low-Profile Z Strips

## T8 Lamps

### FEATURES

- Secure fit design of the patent-pending channel cover allows for easy access and quick attachment
- Patent-pending “three point” row aligner locks channel together for straighter, faster row assembly without fasteners
- Pre-loaded sockets improves speed of installation and reduces potential socket breakage
- Compact “gripper back” channel offers structural strength and reduces shipping damage
- Easy “snap n’ lock” end plates allow for quick attachment and exact fit
- Improved “locking track” lamp holder enhances channel strength and lamp stability

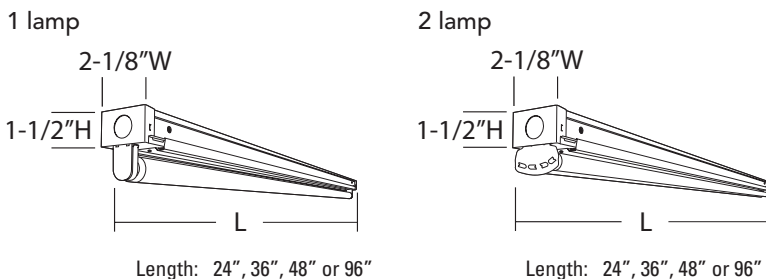


### ORDERING INFORMATION

Catalog Number	UPC	Description	# of Lamps	Length	Wattage	Voltage*	Lamp Included	Pallet Qty.	Standard Carton Qty.
Z 1 17 MVOLT GEB10IS	745975949403	T8 Low-Profile Strip	1	24"	17	120 - 277	N	448	1
Z 1 25 MVOLT GEB10IS	745975998531	T8 Low-Profile Strip	1	36"	25	120 - 277	N	224	1
Z 1 32 MVOLT GEB10IS	745975499182	T8 Low-Profile Strip	1	48"	32	120 - 277	N	224	1
Z 2 17 MVOLT GEB10IS	745976118389	T8 Low-Profile Strip	2	24"	17	120 - 277	N	448	1
Z 2 25 MVOLT GEB10IS	745976210304	T8 Low-Profile Strip	2	36"	25	120 - 277	N	224	1
Z 2 32 MVOLT GEB10IS	745975500680	T8 Low-Profile Strip	2	48"	32	120 - 277	N	224	1
TZ 1 32 MVOLT GEB10IS	745975499335	Tandem, T8 Low-Profile Strip	2	96"	32	120 - 277	N	224	1
TZ 2 32 MVOLT GEB10IS	745975949441	Tandem, T8 Low-Profile Strip	4	96"	32	120 - 277	N	224	1
TZ 2 32 MVOLT 1/4 GEB10IS	745975500772	Tandem, T8 Low-Profile Strip	4	96"	32	120 - 277	N	224	1

\*Also available in 347V

### DIMENSIONS



### ACCESSORIES

- **Z8ASR48** 48" Asymmetric Reflector, White
- **Z8ASR48 SSR** 48" Asymmetric Reflector, Specular
- **Z8SMR48** 48" Symmetric Reflector, White
- **Z8SMR48 SSR** 48" Symmetric Reflector, Specular
- **WGZ48** 48" Base Wireguard, White
- **ZSPRG M50** Z Spring Hanger (Master Pack of 50)

# LED Modular Undercabinet Lighting

## Rayzer



## FEATURES

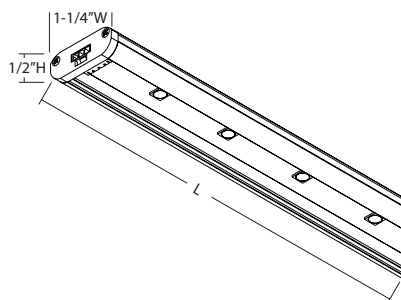
- Ideal for display, task, office and cove lighting
- 50,000 hour long-lasting LEDs provide even illumination (3000K with CRI 85)
- Durable aluminum, low-profile design
- Mounting clips allow for quick and easy installation (two flush and two 30° mounting clips included)
- Dimmable using the optional step dimmer (not compatible with the standard dimmer)
- Link up to 10' of fixtures per transformer
- Uses only 1.7 watts of energy per LED bulb

## ORDERING INFORMATION

Catalog Number	UPC	Description	# of Lamps	Length	Wattage	Voltage	Ballast Type*	ENERGY STAR® Qualified	Lamp Included	Lamp Type	Pallet Qty.	Standard Carton Qty.
RAZ9 M6	745976882754	LED Cabinet Light	3	9"	5	120 or Multivolt	Step Down Transformer	Y	Y	LED	1512	6
RAZ12 M6	745976882778	LED Cabinet Light	4	12"	7	120 or Multivolt	Step Down Transformer	Y	Y	LED	1134	6
RAZ18 M6	745976885137	LED Cabinet Light	6	18"	10	120 or Multivolt	Step Down Transformer	Y	Y	LED	756	6
RAZ24 M6	745977165573	LED Cabinet Light	8	24"	14	120 or Multivolt	Step Down Transformer	Y	Y	LED	756	6

\* 24V transformer not included but is required

## DIMENSIONS



Length: 9", 12", 18" or 24"

## ACCESSORIES

- **RAZTRANS24 120** 24V Transformer - 120V power source
- **RAZTRANS24 MVOLT** 24V Transformer - Multi-Volt power source
- **RAZDIM** Step Dimmer
- **RAZ CC3** 3" Linking Cord (fixture to fixture)
- **RAZ CC24** 24" Linking Cord (fixture to fixture)
- **RAZ CC121** 121" Linking Cord (fixture to fixture)
- **RAZ LVCC** Low Voltage Linking Cord (cord to cord)
- **RAZ ERC** End Row Connector
- **RAZ PHD** Power Hub Distributor
- **RAZ INLS26** In-line Power Switch

# Rayzer Accessories and Installation Diagram

Note: Fixture includes 18" linking cord, mounting clips for flush or 30° mounting, and screws.



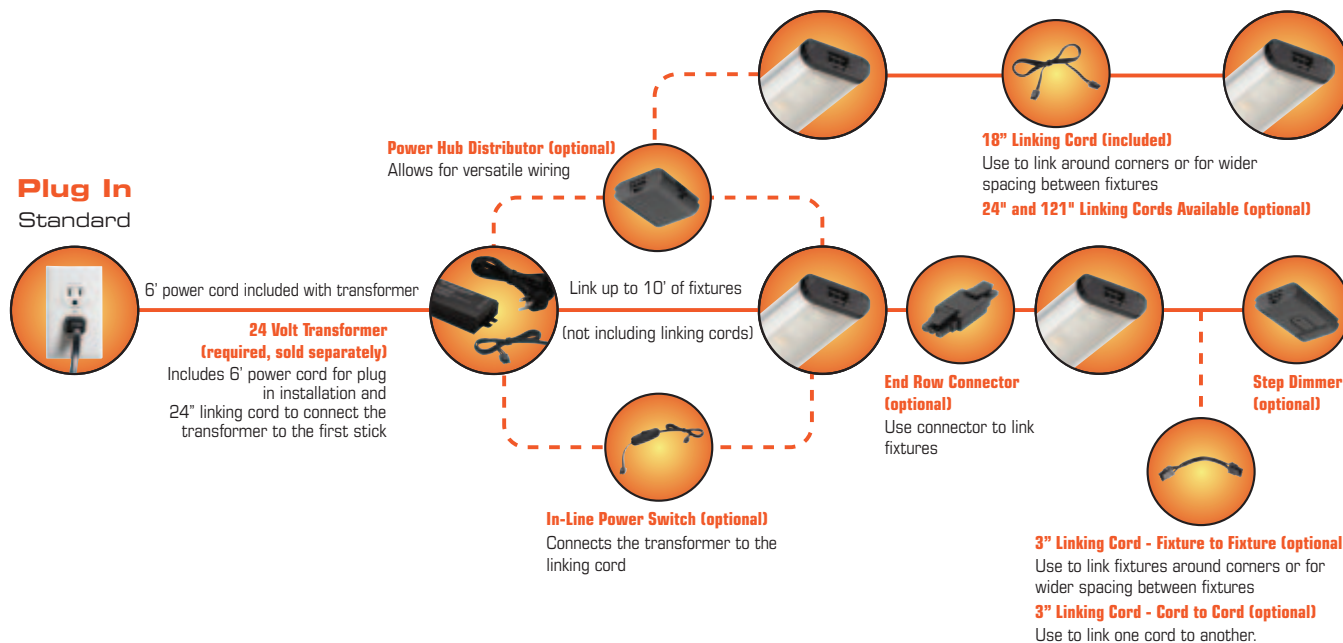
Top View



Side View

The easy to install LED Rayzer is ideal for under and over cabinet lighting, display lighting, task lighting, office lighting and utility areas.

The diagram below shows a typical installation and how to use the linkable accessories.



# Undercabinets

## T5 Lamps



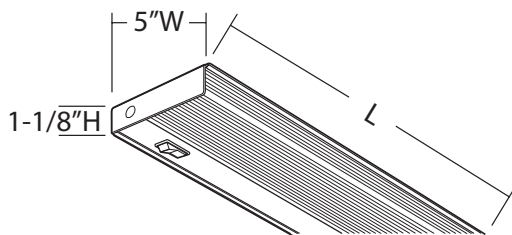
## FEATURES

- Ideal for use in school, display or residential applications
- Trim, low-profile design
- Snap-fit, shatter-resistant, milk-white acrylic diffuser
- Rocker switch is standard
- Separate, hingeable service tray for easy installation and maintenance
- FCC Part 18 for Residential Applications

## ORDERING INFORMATION

Catalog Number	UPC	Description	# of Lamps	Length	Wattage	Voltage	Ballast Type	ENERGY STAR® Qualified	Lamp Included	Pallet Qty.	Standard Carton Qty.
UC 12E 120 SWR M6	784231123317	12" Fluorescent Undercabinet	1	12"	8	120	Residential Electronic	Y	N	504	6
UC 21E 120 SWR M6	784231123324	21" Fluorescent Undercabinet	1	21"	13	120	Residential Electronic	Y	N	336	6
UC 24E 120 SWR M6	784231123331	24" Fluorescent Undercabinet	2	24"	8	120	Residential Electronic	Y	N	336	6
UC 33E 120 SWR M6	784231123348	33" Fluorescent Undercabinet	2	33"	1-8W & 1-13W	120	Residential Electronic	Y	N	168	6
UC 42E 120 SWR M6	784231123355	42" Fluorescent Undercabinet	2	42"	13	120	Residential Electronic	Y	N	168	6

## DIMENSIONS



Length: 12", 21", 24", 33" or 42"

Certain airborne contaminants can diminish integrity of acrylic. See pg.116 for Acrylic Compatibility table for suitable uses.



## T8 Lamps

### FEATURES

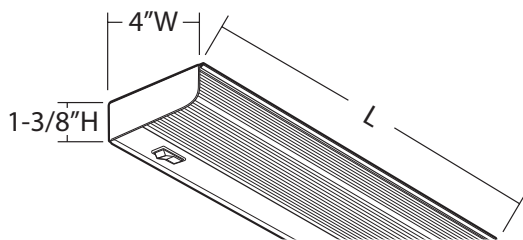
- Ideal for use in school, display or residential applications
- Trim, low-profile design
- Snap-fit, shatter-resistant, milk-white acrylic diffuser
- Rocker switch is standard
- Separate, hingeable service tray for easy installation and maintenance
- FCC Part 18 for Residential Applications



### ORDERING INFORMATION

<i>Catalog Number</i>	<i>UPC</i>	<i>Description</i>	<i># of Lamps</i>	<i>Length</i>	<i>Wattage</i>	<i>Voltage</i>	<i>Ballast Type</i>	<i>ENERGY STAR® Qualified</i>	<i>Lamp Included</i>	<i>Pallet Qty.</i>	<i>Standard Carton Qty.</i>
UC8 15 120 SWR M6	784231183656	18" Fluorescent Undercabinet	1	18"	15	120	Residential Electronic	Y	N	336	6
UC8 17 120 SWR M6	784231183663	24" Fluorescent Undercabinet	1	24"	17	120	Residential Electronic	Y	N	324	6
UC8 25 120 SWR M6	784231183670	36" Fluorescent Undercabinet	1	36"	25	120	Residential Electronic	Y	N	168	6
UC8 32 120 SWR M6	784231183687	48" Fluorescent Undercabinet	1	48"	32	120	Residential Electronic	Y	N	144	6

### DIMENSIONS



Length: 18", 24", 36" or 48"

Certain airborne contaminants can diminish integrity of acrylic. See pg.116 for Acrylic Compatibility table for suitable uses.







# INDUSTRIAL

Industrial Strips

Fluorescent High Bays

HID High Bays

HID Low Bays

Wet Location Industrial

Enclosed Industrial

# Industrial Strips

L



## FEATURES

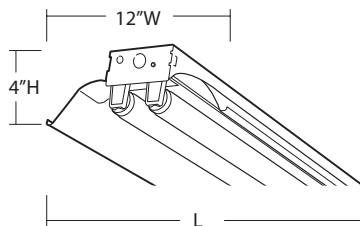
- Sturdy construction suitable for applications such as retail, light industrial and warehouses
- Die-formed from Code-gauge steel with white enamel finish and 12" wide solid top reflector
- No tool assembly required for reflector assembly
- End plate used for continuous row installation applications
- Ideal for heights up to 16', surface or suspended mounting

## ORDERING INFORMATION

(For Hydro approved ballasts replace GEB101S with: Osram - OS10ISX or Phillips - AINP)

Catalog Number	UPC	Description	# of Lamps	Length	Wattage	Voltage	Ballast Type	Standard		
								Lamp Included	Pallet Qty.	Carton Qty.
L 2 32 MVOLT GEB101S	784231159255	T8 Industrial, Solid Top	2	48"	32	120 - 277	Electronic, Instant Start	N	51	1
L 2 32 347 GEB BDP CSA	745973691786	T8 Industrial, Solid Top	2	48"	32	347	Electronic, Instant Start	N	51	1
L 2 96T8 MVOLT GEB101S	784231176252	T8 Industrial, Solid Top	2	96"	59	120 - 277	Electronic, Rapid Start	N	51	1
TL 2 32 MVOLT 1/4 GEB101S	784231159378	Tandem, T8 Industrial, Solid Top	4	96"	32	120 - 277	Electronic, Instant Start	N	51	1
LA 2 32 MVOLT GEB101S	784231176153	T8 Industrial, Apertured Reflector	2	48"	32	120 - 277	Electronic, Instant Start	N	51	1
LA 2 32 347 GEB BDP CSA	745973801567	T8 Industrial, Apertured Reflector	2	48"	32	347	Electronic, Instant Start	N	51	1
TLA 2 32 MVOLT 1/4 GEB101S	784231176221	Tandem, T8 Industrial, Apertured Reflector	4	96"	32	120 - 277	Electronic, Instant Start	N	51	1

## DIMENSIONS



Length: 48" or 96"

## ACCESSORIES

- **WGL** 48" Base Wireguard, White (order 2 for 8')
- **SQ24 M10** Swivel Stem Hanger
- **HC36 M12** 36" Wire Hook and Chain
- **THC J2** Tong Hanger for Rod Mounting

### FEATURES

- Rugged, heavy-duty industrial strip for medium to high mounting heights
- Die-formed from Code-gauge steel with white enamel finish and 12" wide solid top reflector
- No tool assembly required for reflector assembly
- Gripper-back design for superior strength and rigidity
- Heavy-duty aligner included for unit or row installation
- Ideal for mounting heights up to 20', surface or suspended
- FCC Part 18 for Residential and Commercial (120V only)

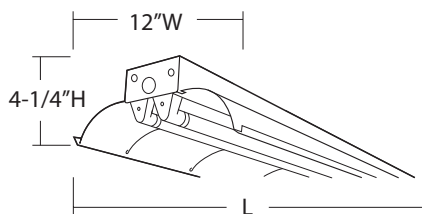


### ORDERING INFORMATION

(For Hydro approved ballasts replace GEB101S with: Osram - OS10ISX or Phillips - AINP)

Catalog Number	UPC	Description	# of Lamps	Length	Wattage	Voltage	Lamp Included	Pallet Qty.	Standard Carton Qty.
EJS 2 32 MVOLT GEB101S	745980497548	T8 Heavy-duty Industrial	2	48"	32	120 - 277	N	51	1
EJD 2 96HO 120 ES CW20	784231179642	T12HO Heavy-duty Industrial	2	96"	110	120	N	42	1
EJDA 2 96HO 120 ES CW20	784231179703	T12HO Heavy-duty Industrial with Uplight	2	96"	110	120	N	42	1

### DIMENSIONS



Length: 48" or 96"

### ACCESSORIES

- **WGL** 48" Base Wireguard, White (order 2 for 8')
- **SQ24 M10** Swivel Stem Hanger
- **HC36 M12** 36" Wire Hook and Chain
- **THC J2** Tong Hanger for Rod Mounting



# I-BEAM® Fluorescent High Bay Lighting

## T5 Lamps



## FEATURES

- Factory- or field-installable components available to satisfy almost any requirement
- Patent-pending T5HO Cool Running Plus™ Technology allows for elevated ambient operation up to 155°F
- Independent lamp operation with industry-best 5-year warranty
- Lamped T5HO fixtures come standard with 54W/841 lamps
- Occupancy sensors and photocells available to maximize energy savings
- Superior thermal management ensures both optimal lamp performance and ballast reliability
- Ballast disconnect standard

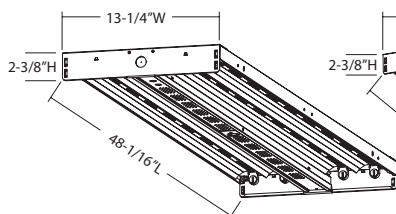
## ORDERING INFORMATION

Catalog Number	UPC	Description	# of Lamps	Wattage	Voltage*	Distribution	Uplight	Ballast Type	Lamp Included	Motion Sensor Included	Pallet Qty.	Standard Carton Qty.
IBZ 454	745973228678	T5 Fluorescent High Bay	4	49	120 - 277	Narrow	Y	Electronic, Program Rapid Start	N	N	54	1
IBZ 454L	745977279430	T5 Fluorescent High Bay	4	49	120 - 277	Narrow	Y	Electronic, Program Rapid Start	Y	N	54	1
IBZ 454 WD	745973166444	T5 Fluorescent High Bay	4	49	120 - 277	Wide	Y	Electronic, Program Rapid Start	N	N	54	1
IBZ 454L WD	745977279485	T5 Fluorescent High Bay	4	49	120 - 277	Wide	Y	Electronic, Program Rapid Start	Y	N	54	1
IBZ 454L IMP	74597273032	T5 Fluorescent High Bay with Modular Plug	4	49	120 - 277	Narrow	Y	Electronic, Program Rapid Start	Y	N	54	1
IBZ 654	745972812823	T5 Fluorescent High Bay	6	49	120 - 277	Narrow	Y	Electronic, Program Rapid Start	N	N	36	1
IBZ 654L	745972742885	T5 Fluorescent High Bay	6	49	120 - 277	Narrow	Y	Electronic, Program Rapid Start	Y	N	36	1
IBZ 654 WD	745973201909	T5 Fluorescent High Bay	6	49	120 - 277	Wide	Y	Electronic, Program Rapid Start	N	N	36	1
IBZ 654L WD	745977279096	T5 Fluorescent High Bay	6	49	120 - 277	Wide	Y	Electronic, Program Rapid Start	Y	N	36	1
IBZ 654L IMP	74597273094	T5 Fluorescent High Bay with Modular Plug	6	49	120 - 277	Narrow	Y	Electronic, Program Rapid Start	Y	N	36	1

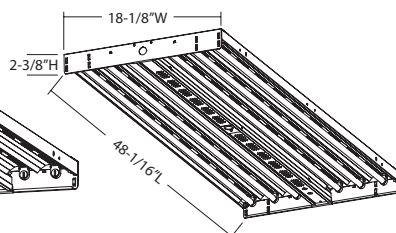
\*Add "HVOLT" for 347V to 480V ballast (Example: IBZ 454 HVOLT)

## DIMENSIONS

4 lamp



6 lamp



## ACCESSORIES (Must be ordered separately)

- **MSIIMP** Aisle Sensor for Modular Plug fixture, End Mount
- **MSI360IMP** 360° Sensor for Modular Plug fixture, End Mount
- **SFR 5** 360° Snap-Fit High Bay Sensor (Not for use with door and lens)
- **CS93WIMP** 6' Cord Set for Modular Plug fixture
- **WGIBZ14** Wireguard for 4-lamp fixture
- **WGIBZ19** Wireguard for 6-lamp fixture
- **DLIBZ14 ACL** Door Frame Kit with .125" Acrylic Lens for 4-lamp fixture
- **DLIBZ19 ACL** Door Frame Kit with .125" Acrylic Lens for 6-lamp fixture
- **IBZPMP** Single-Point Mounting Bracket for 3/4" Conduit
- **IBAC120 M20** Adjustable 10' Aircraft Cable with Carabiner Hooks

# I-BEAM® Fluorescent High Bay Lighting

## FEATURES

- Factory- or field-installable components available to satisfy almost any requirement
- Multiple lamp configurations available for varying needs and/or applications
- Occupancy sensors and photocells available to maximize energy savings
- Superior thermal management ensures both optimal lamp performance and ballast reliability
- Ballast disconnect standard

## T8 Lamps



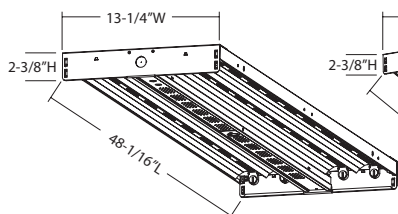
## ORDERING INFORMATION

Catalog Number	UPC	Description	# of Lamps	Wattage	Voltage*	Distribution	Uplight	Ballast Type	Lamp Included	Motion Sensor Included	Pallet Qty.	Standard Carton Qty.
IBZ 432	745976255497	T8 Fluorescent High Bay	4	32	120-277	Narrow	Y	Electronic, Instant Start	N	N	54	1
IBZ 432 WD	745972730608	T8 Fluorescent High Bay	4	32	120-277	Wide	Y	Electronic, Instant Start	N	N	54	1
IBZ 632	745975977390	T8 Fluorescent High Bay	6	32	120-277	Narrow	Y	Electronic, Instant Start	N	N	36	1
IBZ 632L	745976255480	T8 Fluorescent High Bay	6	32	120-277	Narrow	Y	Electronic, Instant Start	Y	N	36	1
IBZ 632 WD	745977279874	T8 Fluorescent High Bay	6	32	120-277	Wide	Y	Electronic, Instant Start	N	N	36	1
IBZ 632L WD	745972786711	T8 Fluorescent High Bay	6	32	120-277	Wide	Y	Electronic, Instant Start	Y	N	36	1
IBZ 632 IMP	745972773100	T8 Fluorescent High Bay	6	32	120-277	Narrow	Y	Electronic, Program Rapid Start	N	N	36	1
IBZ 632 GEB10PSH IMP	784231068472	T8 Fluorescent High Bay	6	32	120-277	Narrow	Y	Electronic, Program Rapid Start	N	N	36	1

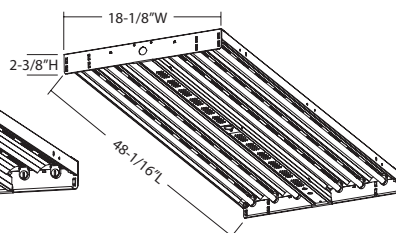
\*Also available in 347V

## DIMENSIONS

4 lamp



6 lamp



## ACCESSORIES (Must be ordered separately)

- **MSIIMP** Aisle Sensor for Modular Plug fixture, End Mount
- **MSI360IMP** 360° Sensor for Modular Plug fixture, End Mount
- **SFR 5** 360° Snap-Fit High Bay Sensor (Not for use with door and lens and only available on IBZ 632 GEB10PSH IMP)
- **CS93WIMP** 6' Cord Set for Modular Plug fixture
- **WGIBZ14** Wireguard for 4-lamp fixture
- **WGIBZ19** Wireguard for 6-lamp fixture
- **DLIBZ14 ACL** Door Frame Kit with .125" Acrylic Lens for 4-lamp fixture
- **DLIBZ19 ACL** Door Frame Kit with .125" Acrylic Lens for 6-lamp fixture
- **IBZPMP** Single-Point Mounting Bracket for 3/4" Conduit
- **IBAC120 M20** Adjustable 10' Aircraft Cable with Carabiner Hooks

# HID High Bays

## TH/THD



## FEATURES

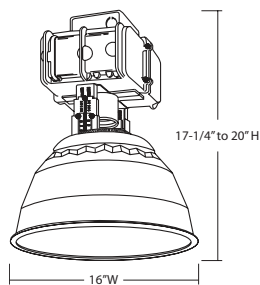
- For mounting heights above 20'
- Modular ballast housing for high bay optics
- Pre-attached adjustable legs accept a wide selection of anodized aluminum and prismatic acrylic high bay reflectors
- Systems are designed to provide minimum brightness and glare
- Sold individually and in distributor packs
- Vertically oriented mogul base PROTECTED EXCLUSIONARY base "PINK" socket

## ORDERING INFORMATION

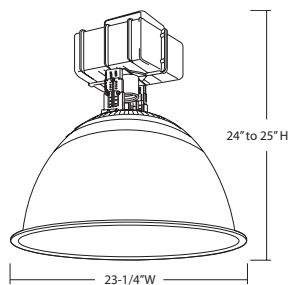
Catalog Number	UPC	Description	Wattage	Lamp Source	Voltage	Reflector Size	Lamp Included	Pallet Qty.	Standard Carton Qty.
TH 400MP 120/347 SCWA HC3 CSA HSG	784231149133	Ballast Housing	400	MH	120/347	—	N	48	1
THD 400MP A15 120/347 HC3 LPI CSA	745972138695	Open Aluminum, Distributor Pack	400	MH	120/347	15	Y	18	1
A16 U	784231031506	16" Optical	—	—	—	16	N	24	1
A22 U	784231031544	22" Optical	—	—	—	22	N	12	1

## DIMENSIONS

TH A16  
THD A16



TH A22  
THD A22



## ACCESSORIES

- **HKM U** Fixture Hook Male (Unit Packed)
- **HKM J12** Fixture Hook Male (Job Packed with Qty 12)
- **MP400BU PSL U** Replacement Lamps (Unit Packed)
- **MP400BU PSL J6** Replacement Lamps (Job Packed with Qty 6)

TX/TXD

## FEATURES

- For areas that require vertical illumination and glare control at low mounting heights
- Modular ballast housing for enclosed low bay optics
- Accepts various heavy-duty aluminum and prismatic acrylic low bay optical assemblies
- Opticals are equipped with a heat-resistant, dust-inhibiting gasket at the point of attachment
- Sold individually and in distributor packs
- Vertically oriented mogul base PROTECTED EXCLUSIONARY base "PINK" socket

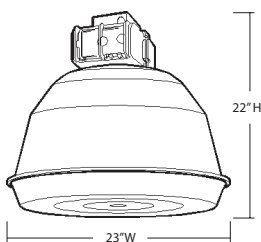


## ORDERING INFORMATION

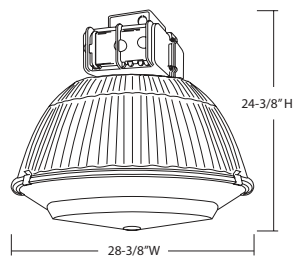
Catalog Number	UPC	Description	Wattage	Lamp Source	Voltage	Reflector Size	Lamp Included	Pallet Qty.	Standard Carton Qty.
TX 400MP 120/347 HC3 HSG CSA	784231083376	Ballast Housing	400	MH	120/347	—	N	48	1
TXD 400MP A23 120/347 HC3 LPI CSA	745975455003	Enclosed Aluminum Distributor Pack	400	MH	120/347	23	Y	8	1
A23 U	784231081761	23" Aluminum Optical with Acrylic Drop Lens	—	—	—	23	N	8	1
A26 U	784231079744	26" Aluminum Optical with Acrylic Drop Lens	—	—	—	26	N	6	1
AR23 U	784231062241	23" Acrylic Lens Only	—	—	—	23	N	16	1
AR23 J4	784231036785	23" Acrylic Lens Only (Job Pack 4)	—	—	—	23	N	24	4
A23LD J4	784231081778	23" Aluminum Optical (No Lens)	—	—	—	23	N	32	4
AR26 U	784231080917	26" Acrylic Lens Only	—	—	—	26	N	18	1
AR26 J4	784231080832	26" Acrylic Lens Only (Job Pack 4)	—	—	—	26	N	32	4
PA22C	784231032299	22" Acrylic Refractor with Conical Lens	—	—	—	22	N	12	1
PA25D	784231036082	25" Acrylic Refractor with Deep Lens	—	—	—	25	N	4	1

## DIMENSIONS

TX A23  
TXD A23



TX A26



## ACCESSORIES

- **HKM U** Fixture Hook Male (Unit Packed)
- **HKM J12** Fixture Hook Male (Job Packed with Qty 12)
- **MP400BU PSL U** Replacement Lamps (Unit Packed)
- **MP400BU PSL J6** Replacement Lamps (Job Packed with Qty 6)

Certain airborne contaminants can diminish integrity of acrylic. See pg.116 for Acrylic Compatibility table for suitable uses.

# Wet Location Industrial

## DMW



## FEATURES

- For harsh environments where dust, dirt, humidity or moisture is present
- Suitable for surface or suspended mounting, unit or row installation; horizontal wall mount only
- Impact-resistant, reinforced polyester fiberglass housing
- Features shatter-resistant 50% DR acrylic diffuser as standard
- Poured-in gasketing provides a continuous seal between housing and diffuser
- Captive, corrosion-resistant, cam-action latches secure the diffuser; 2 stainless steel mounting brackets included
- UL Listed for wet location, NSF Listed and IP65 rated

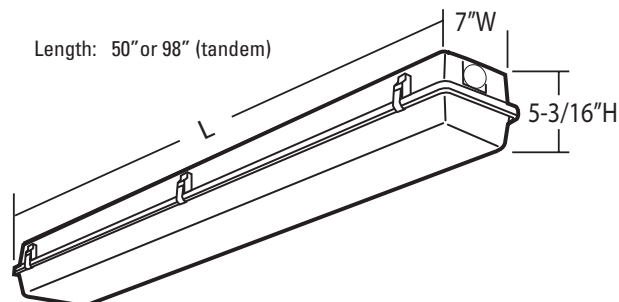
## ORDERING INFORMATION

(For Hydro approved ballasts replace GEB101S with: Osram - OS10ISX or Phillips - AINP)

Catalog Number	UPC	Description	# of Lamps	Wattage	Voltage*	Lamp Included	Pallet Qty.	Standard Carton Qty.
DMW 2 32 MVOLT GEB101S	784231151099	Enclosed Industrial	2	32	120-277	N	41	1
DMW 2 48T8HO MVOLT GEB10PS	745977218644	Enclosed Industrial	2	48	120-277	N	41	1
DMW 2 54T5HO MVOLT GEB10PS90	745975221059	Enclosed Industrial	2	54	120-277	N	41	1
DMW 2 96T8 MVOLT GEB101S	784231003930	Enclosed Industrial	2	59	120-277	N	28	1
DMW 2 96HO 120 ES CW20	784231016510	Enclosed Industrial	2	110	120	N	28	1
DMW 2 96T8HO MVOLT GEB10PS	745974494409	Enclosed Industrial	2	86	120-277	N	28	1
TDMW 2 32 MVOLT 1/4 GEB101S	784231003916	Tandem, Enclosed Industrial	4	32	120-277	N	28	1

\*Also available in 347V

## DIMENSIONS



## ACCESSORIES

- **DDM48** 4' Enclosed Fixture Replacement Lens
- **DDM96** 8' Enclosed Fixture Replacement Lens
- **DMW/EGW LATCH J6** 4' Enclosed Fixture Replacement Latch
- **DMW/EGW LATCH J10** 8' Enclosed Fixture Replacement Latch

Certain airborne contaminants can diminish integrity of acrylic. See pg.116 for Acrylic Compatibility table for suitable uses.



### FEATURES

- Ideal for canopies, dock areas, food and beverage processing facilities, car washes, schools, government facilities and industrial applications
- Suitable for surface or suspended mounting, unit or row installation; horizontal wall mount only
- Available in 2' and 4'; 2-lamp maximum
- Impact-resistant, reinforced polyester fiberglass housing with poured in place gasketing
- Shatter-resistant 50% DR acrylic diffuser
- UL Listed for wet location, NSF Listed and IP65 rated; 2' fixture standard IP67 rated



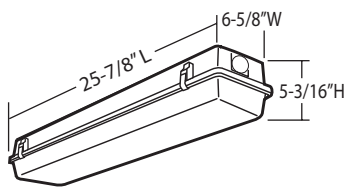
### ORDERING INFORMATION

(For Hydro approved ballasts replace GEB101S with: Osram - OS10ISX or Phillips - AINP)

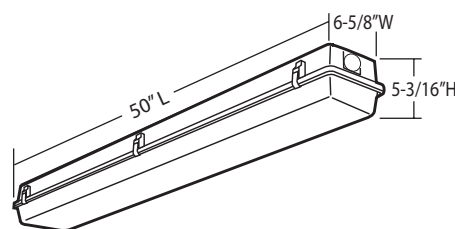
Catalog Number	UPC	Description	# of Lamps	Wattage	Voltage	Lamp Included	Pallet Qty.	Standard Carton Qty.
EGW 2 17 MVOLT GEB101S	745972934365	2' Enclosed Industrial Fixture	2	17	120-277	N	64	1
EGW 2 32 MVOLT GEB101S	784231015261	4' Enclosed Industrial Fixture	2	32	120-277	N	32	1

### DIMENSIONS

2 foot



4 foot



### ACCESSORIES

- **DEGW24** 2' Enclosed Fixture Replacement Lens
- **DEGW48** 4' Enclosed Fixture Replacement Lens
- **DMW/EGW LATCH J6** 2' and 4' Enclosed Fixture Replacement Latch
- **EGWSMB** 2' and 4' Surface Mounting Bracket

Certain airborne contaminants can diminish integrity of acrylic. See pg.116 for Acrylic Compatibility table for suitable uses.





# DOWNLIGHTING



## RESIDENTIAL

6" Housings

6" Trims

LED Modules &  
Housings

## COMMERCIAL

6", 8" Vertical Frame-in

6", 8" Vertical  
Reflectors

6", 8" Horizontal  
Frame-in

6", 8" Horizontal  
Reflectors

# 6" LED Housings

## L7XLED/L7XRLED



## FEATURES

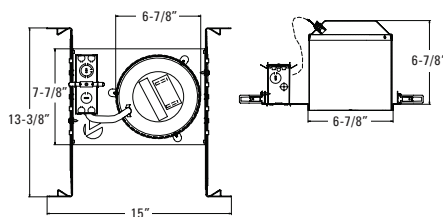
- Recessed housing rated IC or NON-IC; for 2x8 new construction only
- New construction can has galvanized bar hangers span up to 24" and feature built in nailer and integral T-bar clips and two locking screws to hold fixture in position
- Remodel aluminum housing with three remodel clips for installation in existing plaster, sheet rock or mechanical ceilings; heavy-gauge galvanized steel raceway arm
- Quick disconnect provided for connection of Reality module; paint overspray masked by disposable disconnect plug
- Air-tight standard and suitable for ceilings up to 1½" thick
- Wet location listed; Title 24 Compliant

## ORDERING INFORMATION

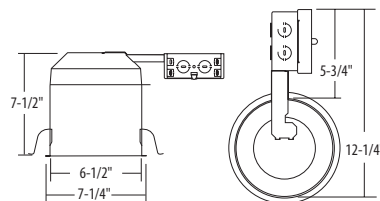
Catalog Number	UPC	Description	Pallet Qty.	Standard Carton Qty.
L7XLED T24 U	745977951916	6" New Construction, LED	54	1
L7XRLED T24 U	745977951923	6" Remodel, LED	96	1

## DIMENSIONS

L7XLED



L7XRLED



## REALITY



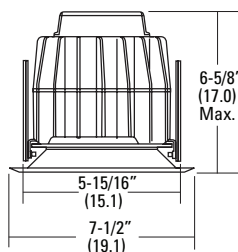
## FEATURES

- LED module for use in retrofit/remodel or new construction applications where energy savings, long-life, and functional delivered light levels are required
- Provides 80% energy savings over the 65W BR30 and replicates the beam pattern and light levels of par lamps
- White, clear diffuse and clear specular trims available
- Energy-star approved; wet location listed; Electronic low-voltage (ELV) dimming standard
- CSA listed to US and Canadian safety standards as a retrofit module for any can with minimum 6-1/8" inside diameter and 7-1/32" inside height

## ORDERING INFORMATION

<i>Catalog Number</i>	<i>UPC</i>	<i>Description</i>	<i>Lumens</i>	<i>Color Temperature</i>	<i>Type</i>	<i>Color</i>	<i>Retention Method</i>	<i>Pallet Qty.</i>	<i>Standard Carton Qty.</i>
REAL6 D6MW 600L 30K .60SC ESL	753573505853	6" Energy Star Retrofit Module	600	3000K	Energy Star Listed	Matte White	Torsion Springs	100	1
REAL6 D6MW 1000L 30K .60SC ESL	753573505969	6" Energy Star Retrofit Module	1000	3000K	Energy Star Listed	Matte White	Torsion Springs	100	1

## DIMENSIONS



# LED Modules



## FEATURES

- Designed for use in new construction and existing homes
- Fits most popular IC and NON-IC housings
- Features focused LED optics that direct light without sacrificing the warm look of traditional lighting
- 80% more energy efficient than a comparable incandescent lamp

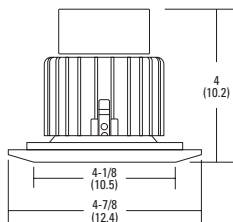


## ORDERING INFORMATION

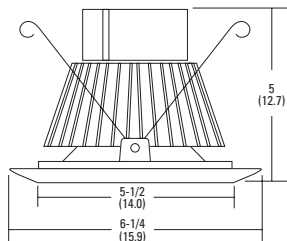
Catalog Number	UPC	Description	Lumens	Color Temperature	Type	Retention Method	Voltage	Pallet Qty.	Standard Carton Qty.
4BLMW LED M6	784231966495	4" Baffle LED Module	400	3000K	Energy Star Listed	Friction Clips	120	144	6
5BLMW LED M6	784231966556	5" Baffle LED Module	600	3000K	Energy Star Listed	Torsion Springs	120	144	6
6BLMW LED M6	753573062059	6" Baffle LED Module	620	3000K	Energy Star Listed	Torsion Springs	120	144	6

## DIMENSIONS

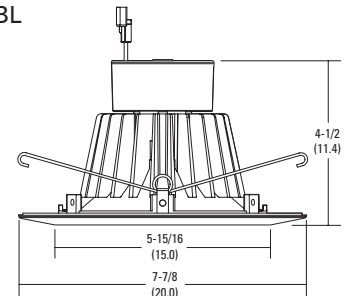
4BL



5BL



6BL



COMMERCIAL  
INDUSTRIAL  
DOWNLIGHTING  
OUTDOOR



## FEATURES

- Recessed housings rated IC/NON-IC for new construction and remodel applications (L5/L5R are IC rated only)
- Air-tight standard
- Features aluminum housing with galvanized steel pan



## ORDERING INFORMATION

Catalog Number	UPC	Description	Pallet Qty.	Standard Carton Qty.
<i>Compatible with 4BLMW LED</i>				
L3 R6	745973345313	4" New Construction IC/Non-IC Rated	144	6
L3R R6	745973345566	4" Remodel IC/Non-IC Rated	312	6
<i>Compatible with 5BLMW LED</i>				
L5 R6	745973345160	5" New Construction IC Rated	144	6
L5R R6	745973345276	5" Remodel IC Rated	96	6
<i>Compatible with 6BLMW LED</i>				
L7XLED T24 U	745977951916	6" New Construction, LED	54	1
L7XRLED T24 U	745977951923	6" Remodel, LED	96	1

## DIMENSIONS

L3	L3R	L5	L5R	L7XLED	L7XRLED
<i>Specifications</i>	<i>Specifications</i>	<i>Specifications</i>	<i>Specifications</i>	<i>Specifications</i>	<i>Specifications</i>
Height: 5-1/4 (13.3)	Height: 5-1/2 (14.0)	Height: 7-1/2 (19.1)	Height: 7-1/2 (19.1)	Height: 6-7/8 (17.48)	Height: 7-1/2 (19.1)
Length: 13-1/4 (33.7)	Length: 10-1/8 (25.7)	Length: 13-1/4 (33.7)	Length: 11-1/2 (29.2)	Length: 15 (38.1)	Length: 12-1/4 (31.1)
Width: 12-3/16 (30.9)	Width: 4-1/2 (11.4)	Width: 12-7/8 (32.7)	Width: 5-3/4 (14.6)	Width: 13-7/8 (35.24)	Width: 7-1/2 (19)
Ceiling Opening: 4 (10.2)	Ceiling opening: 4-1/4 (10.8) Ceiling cutout template: 4.01	Ceiling cutout: 5-1/2 (14)	Ceiling opening: 5-5/8 (14.3) Ceiling cutout template: 5.39	Ceiling cutout: 7 (17.8)	Ceiling opening: 6-7/8 (17.5) Ceiling cutout template: 6.65
See page 23 for lineart	See page 23 for lineart	See page 24 for lineart	See page 24 for lineart	See page 78 for lineart	See page 78 for lineart

## 6" Residential Housings

### New Construction (2x8) LC6



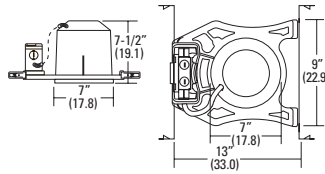
#### FEATURES

- Recessed housing rated IC/NON-IC for 2x8 new construction or remodel applications
- Injection-molded frame with aluminum can provides superior thermal performance for a wider range of trims
- Galvanized bar hangers span up to 24" and feature stepped shank nail and positioning guide with integral T-bar locks
- Two locking screws hold fixture in position
- Air-tight standard and suitable for ceilings up to 1½" thick

#### ORDERING INFORMATION (Must be ordered in multiples of standard carton quantity.)

Catalog Number	UPC	Description	Pallet Qty.	Standard Carton Qty.
LC6 R6	784231051146	6" New Construction	120	6

#### DIMENSIONS



### Shallow Construction (2x6) LCP



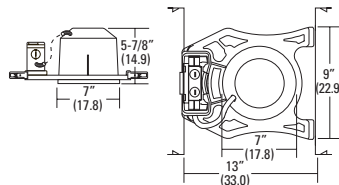
#### FEATURES

- Recessed incandescent housing rated IC/NON-IC for 2x6 new construction or remodel applications
- Injection-molded frame with aluminum can provides superior thermal performance for a wider range of trims
- Galvanized bar hangers span up to 24" and feature stepped shank nail and positioning guide with integral T-bar locks
- Pre-assembled poke-home connectors for ease of wiring
- Air-tight standard and suitable for ceilings up to 1½" thick

#### ORDERING INFORMATION (Must be ordered in multiples of standard carton quantity.)

Catalog Number	UPC	Description	Pallet Qty.	Standard Carton Qty.
LCP R6	784231051108	6" Shallow, New Construction	144	6

#### DIMENSIONS



# 6" Residential Trims

## FEATURES

- IC/NON-IC rated trims
- Baffle, eyeball and open trims are damp location listed
- Lensed and WETlite™ trims are wet location listed
- White trims available
- Bulk packed
- Trim retention (clips): Retaining clips riveted to top of reflector hold trim inside housing
- Trim retention (TOR): Two-side mounted torsion springs on the trim and 2 receiving brackets in the can ensure a consistently tight fit with the ceiling



## ORDERING INFORMATION

Catalog Number	UPC	Description	Type	Color	Flange Width	Retention Method	Pallet Qty.	Standard Carton Qty.
601 TOR R12	745975228614	6" Trim	Open	White	Wide	Torsion Springs	480	12
602 TOR R12	745975233755	6" Trim	Open	White	Narrow	Torsion Springs	480	12
6B1W TOR R12	745975232123	6" Trim	Baffle	White	Wide	Torsion Springs	288	12
6LD1 R6	745973790137	6" Trim	Lensed	White	Wide	Clips	144	6
6LF1 R6	745973753057	6" Trim	Lensed	Flush Opal	Narrow	Clips	216	6
6H2O TOR R6	745975375448	6" Trim	Wetlite	White	Wide	Torsion Springs	180	6
CO1 R6	745973753095	6" Trim	Open	White	Wide	Clips	456	6
CO1 TOR R12	745975233977	6" Trim	Open	White	Wide	Torsion Springs	480	12
CB1W TOR R12	745975233854	6" Trim	Baffle	White	Narrow	Torsion Springs	480	12
CE1 R6	745973753347	6" Trim	Eyeball	White	Wide	Clips	144	6
CLF1 R6	745973753354	6" Trim	Lensed	White	Wide	Clips	216	6

## DIMENSIONS

	601*	602*	6B1W*	6LD1/6LF1* (Drop) (Flush)	6H2O*	CO1	CB1W	CE1	CLF1
<b>Max Lamp Wattages</b>									
IC	65 BR30; 75 PAR30	65 BR40	40 A19; 65 BR30; 75 PAR30	60 A19	75 PAR30; 75 PAR38	65 BR30; 75 PAR30	65 BR30; 75 PAR30	65 BR30; 75 PAR30	40 A19
NON-IC		100 A19; 120 BR40; 150 PAR38							

\*Only available for 2x8 new construction (LC6)

# 6" & 8" Commercial Vertical Frame-in

## LP6FN/LP6N/LP8N



## FEATURES

- Fixtures are UL Listed for through-branch wiring, NON-IC recessed mounting and damp location
- Heavy-gauge, die-formed galvanized steel mounting frame with high-friction retention clips secure optical system
- Utilizes an extruded socket housing that attaches to the reflector via key hole mount, which provides superior heat dissipation and extended lamp life
- Vertically adjustable mounting brackets for use with 16-gauge flat barhangers (included), C channels or 1/2" steel conduit
- Maximum ceiling thickness of 1 1/2"

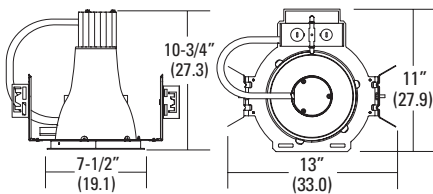
## ORDERING INFORMATION

Catalog Number	UPC	Description	Lamp Type	Wattage	Voltage*	Pallet Qty.	Standard Carton Qty.
LP6FN 18DTT/TRT MVOLT	745975581924	6" Vertical Frame-in	Compact Fluorescent	18	120-277	63	1
LP6FN 26-42TRT MVOLT	745975571246	6" Vertical Frame-in	Compact Fluorescent	26, 32, 42	120-277	63	1
LP6FN 26-42TRT MVOLT ELR	745975735297	6" Vertical Frame-in with Emergency	Compact Fluorescent	26, 32, 42	120-277	42	1
LP6N U	745975581733	6" Vertical Frame-in	Incandescent	See Trims (p.91)	120	63	1
LP8N	745975580040	8" Vertical Frame-in	Incandescent	See Trims (p.91)	120	63	1

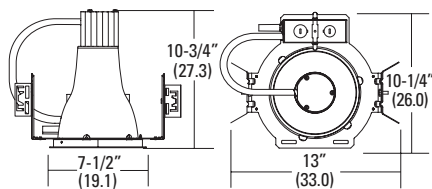
\*Also available in 347V

## DIMENSIONS

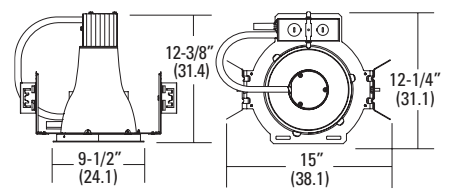
LP6FN



LP6N



LP8N



# 6" & 8" Commercial Vertical Reflectors

## FEATURES

- Aluminum full reflectors are optically designed to maximize lumen output and provide superior glare control
- Damp location listed and lens reflectors are wet location listed
- Open reflectors are diffuse
- Black baffled reflectors have an anodized upper finish with white painted flange standard
- Glass lenses are available in a fresnel glass lens
- Glass lens provide optimal visual comfort and improved aesthetics



Diffuse



Black Baffle



## ORDERING INFORMATION

Catalog Number	UPC	Description	Pallet Qty.	Standard Carton Qty.
609A	745975550036	Vertical, Diffuse, 6" Open Reflector	150	1
6B9	745975550425	Vertical, Black Baffle, 6" Reflector	150	1
6LR4	745975554249	Vertical, Fresnel, 6" Lens	150	1
802A	784231152928	Vertical, Diffuse, 8" Open Reflector	80	1
8B3	784231152508	Vertical, Black Baffle, 8" Reflector	64	1
8L4	784231162569	Vertical, Fresnel, 8" Lens	80	1

## DIMENSIONS

	609A	6B9	6LR4	802A	8B3	8L4
<b>Max Lamp Wattages</b>						
NON-IC	120w BR40; 150w A19 and A21; 150w PAR38	120w BR40; 150w A19 and A21	100w A19	200w A23; 200w PS25; 250w PAR38; 250w BR40 (heat lamp)	200w A23; 200w PS25; 250w PAR38; 250w BR40 (heat lamp)	100w A19; 100w PAR38; 120w BR40

# 6" & 8" Commercial Horizontal Frame-in

## LF6N/LF8N



## FEATURES

- Fixtures are UL Listed for through-branch wiring, NON-IC recessed mounting and damp location
- Galvanized steel mounting frame-in with mechanical trim retention (yoke) ensures secure flush reflector mounting to ceiling
- Aluminum full reflectors are optically designed to maximize lumen output and provide superior glare control
- Vertically adjustable mounting brackets for use with 16-gauge flat barhangers (included), C channels or 1/2" steel conduit
- Maximum ceiling thickness of 1 1/2"

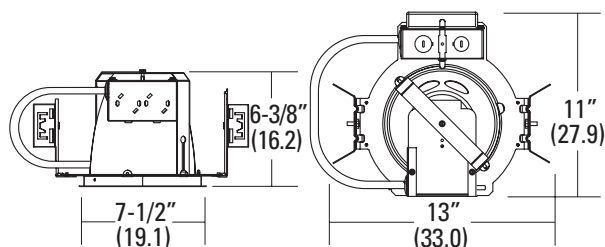
## ORDERING INFORMATION

Catalog Number	UPC	Description	Lamp Type	Wattage	Voltage*	Pallet Qty.	Standard Carton Qty.
LF6N 1/26-42TRT MVOLT	745975581900	6" Horizontal Frame-in	1- Compact Fluorescent	26, 32, 42	120-277	63	1
LF6N 1/26-42TRT MVOLT ELR	745975730834	6" Horizontal Frame-in with Emergency	1- Compact Fluorescent	26, 32, 42	120-277	42	1
LF6N 2/18DTT MVOLT	745975581948	6" Horizontal Frame-in	2- Compact Fluorescent	18	120-277	63	1
LF6N 2/26DTT MVOLT	745975581917	6" Horizontal Frame-in	2- Compact Fluorescent	26	120-277	63	1
LF8N 1/26-42TRT MVOLT	745975580026	8" Horizontal Frame-in	1- Compact Fluorescent	26, 32, 42	120-277	63	1
LF8N 2/26-42TRT MVOLT	745975579983	8" Horizontal Frame-in	2- Compact Fluorescent	26, 32, 42	120-277	63	1
LF8N 2/18DTT MVOLT	745975580101	8" Horizontal Frame-in	2- Compact Fluorescent	18	120-277	63	1
LF8N 2/26DTT MVOLT	745975580019	8" Horizontal Frame-in	2- Compact Fluorescent	26	120-277	63	1

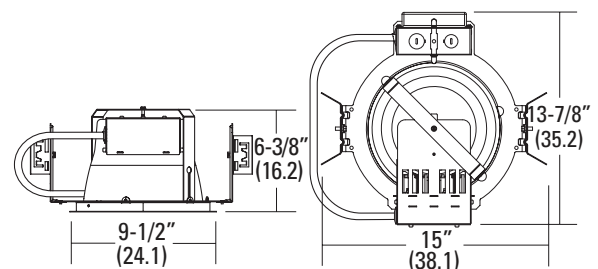
\*Also available in 347V

## DIMENSIONS

LF6N



LF8N





# 6" & 8" Commercial Horizontal Reflectors

## FEATURES

- Aluminum full reflectors are optically designed to maximize lumen output and provide superior glare control
- Damp location listed and lens reflectors are wet location listed
- Open reflectors are diffuse
- Black baffled reflectors have an anodized upper finish with white painted flange standard
- Glass lenses are available in a fresnel glass lens
- Glass lens provide optimal visual comfort and improved aesthetics



Diffuse



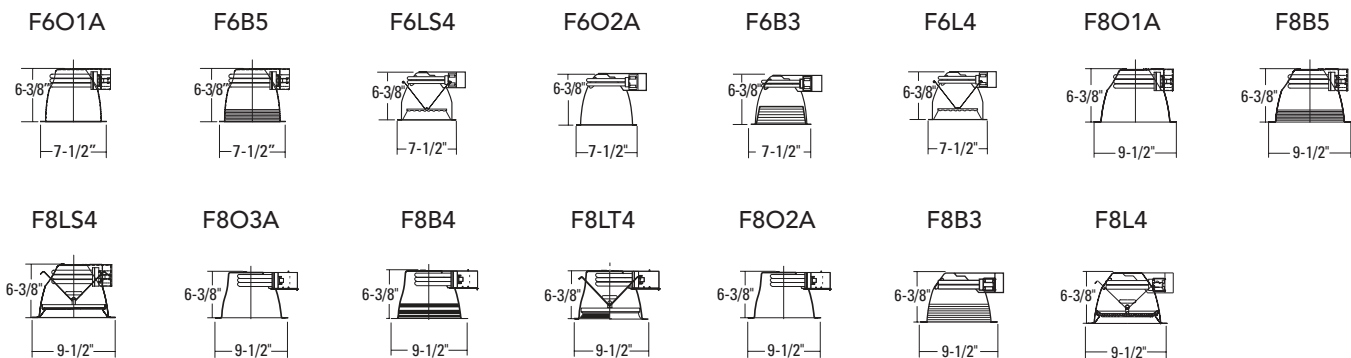
Black Baffle



## ORDERING INFORMATION

Catalog Number	UPC	Description	Pallet Qty.	Standard Carton Qty.
F601A	745980396346	1-Lamp, Triple-Tube, Horizontal, Diffuse, 6" Open Reflector	150	1
F6B5	745976129910	1-Lamp, Triple-Tube, Horizontal, Black Baffle, 6" Reflector	150	1
F6LS4	745975190287	1-Lamp, Triple-Tube, Horizontal, Fresnel, 6" Lens	150	1
F602A	784231083802	2-Lamp, Double Twin-Tube, Horizontal, Diffuse, 6" Open Reflector	180	1
F6B3	784231080986	2-Lamp, Double Twin-Tube, Horizontal, Black Baffle, 6" Reflector	150	1
F6L4	784231103470	2-Lamp, Double Twin-Tube, Horizontal, Fresnel, 6" Lens	150	1
F801A	745980396421	1-Lamp, Triple-Tube, Horizontal, Diffuse, 8" Open Reflector	100	1
F8B5	745976175252	1-Lamp, Triple-Tube, Horizontal, Black Baffle, 8" Reflector	100	1
F8LS4	784231000229	1-Lamp, Triple-Tube, Horizontal, Fresnel, 8" Lens	100	1
F803A	784231174159	2-Lamp, Triple-Tube, Horizontal, Diffuse, 8" Open Reflector	100	1
F8B4	784231000199	2-Lamp, Triple-Tube, Horizontal, Black Baffle, 8" Reflector	100	1
F8LT4	745979828674	2-Lamp, Triple-Tube, Horizontal, Fresnel, 8" Lens	100	1
F802A	784231152584	2-Lamp, Double Twin-Tube, Horizontal, Diffuse, 8" Open Reflector	100	1
F8B3	784231152621	2-Lamp, Double Twin-Tube, Horizontal, Black Baffle, 8" Reflector	100	1
F8L4	784231162620	2-Lamp, Double Twin-Tube, Horizontal, Fresnel, 8" Lens	100	1

## DIMENSIONS









# OUTDOOR

Floodlighting

Building Mounted

Security Lighting

Area Lighting

# Floodlighting

## Motion Sensors (LED)



## FEATURES

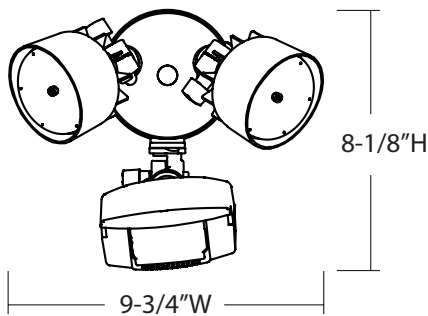
- Ideal for walkways, yards, patios, play areas and driveways creating an inviting exterior space as well as providing safety and security
- Tool-free adjustable heads allow for easy aiming up/down or side-to-side
- Clear acrylic lenses are fully gasketed to keep out moisture, dirt and bugs
- Each head contains (3) high performance LEDs which maintain their lumen output at 50,000 hour life
- Dual array motion sensor provides 180° detection with up to 70 feet forward range and additional downward perimeter protection; integrated photocell prevents activation during daylight

## ORDERING INFORMATION

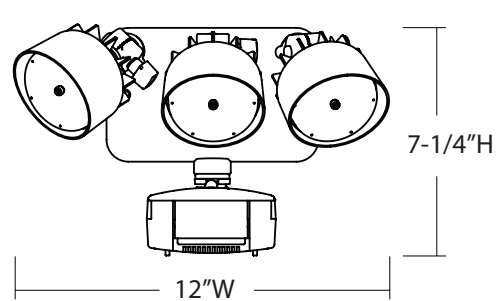
Catalog Number	UPC	Description	Lumens	Color Temperature	Voltage	Finish	Photocell Included	Approximate Weight (lbs)	Pallet Qty.	Standard Carton Qty.
OFLR 6LC 120 MO BZ M2	745973299388	Twin Head, LED Floodlight	1,222	4780K	120	Bronze	Y	2.7	180	2
OFLR 6LC 120 MO WH M2	745973299302	Twin Head, LED Floodlight	1,222	4780K	120	White	Y	2.7	180	2
OFLR 9LC 120 MO BZ M2	745973299500	Triple Head, LED Floodlight	1,719	5339K	120	Bronze	Y	4.5	144	2
OFLR 9LC 120 MO WH M2	745973299487	Triple Head, LED Floodlight	1,719	5339K	120	White	Y	4.5	144	2

## DIMENSIONS

OFLR (Twin Head)



OFLR (Triple Head)



**FEATURES**

- Ideal illumination for walkways, yards, patios, play areas and driveways creating an inviting exterior space as well as providing safety and security
- Tool-free adjustable heads allow for easy aiming up/down or side-to-side
- Clear acrylic lenses are fully gasketed to keep out moisture, dirt and bugs
- Each head contains (3) high performance LEDs which maintain their lumen output at 50,000 hour life
- Dusk-to-dawn photocell automatically turns light on at dusk and off at dawn for convenience and energy savings

**Dusk-to-Dawn (LED)**

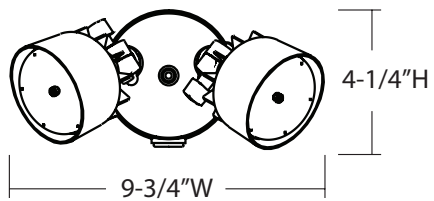


**ORDERING INFORMATION**

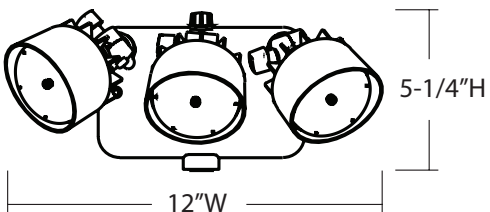
Catalog Number	UPC	Description	Lumens	Color Temperature	Voltage	Finish	Photocell Included	Approximate Weight (lbs)	Pallet Qty.	Standard Carton Qty.
OFLR 6LC 120 P BZ M2	745973299401	Twin Head, LED Floodlight	1,096	5199K	120	Bronze	Y	2.2	300	2
OFLR 6LC 120 P WH M2	745973299340	Twin Head, LED Floodlight	1,096	5199K	120	White	Y	2.2	300	2
OFLR 9LC 120 P BZ M2	745973300039	Triple Head, LED Floodlight	1,636	5364K	120	Bronze	Y	3.8	192	2
OFLR 9LC 120 P WH M2	745973299982	Triple Head, LED Floodlight	1,636	5364K	120	White	Y	3.8	192	2

**DIMENSIONS**

OFLR (Twin Head)



OFLR (Triple Head)





# Floodlighting

## 1000 watts



## FEATURES

- Ideal for recreation areas, parking lots, building facades and car lots or any general purpose outdoor application
- Heavy-duty, die-cast aluminum construction
- Front bezel is fully sealed with one-piece, bonded silicone gasket
- Lens is thermal- and shock-resistant, clear, tempered glass
- EISA compliant

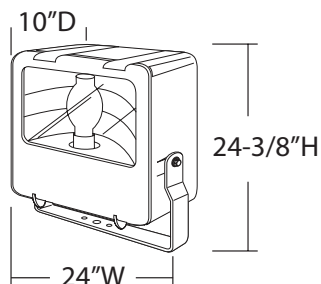


## ORDERING INFORMATION

<i>Catalog Number</i>	<i>UPC</i>	<i>Description</i>	<i>Wattage</i>	<i>Lamp Source</i>	<i>Voltage</i>	<i>Finish</i>	<i>Lamp Included</i>	<i>Approximate Weight (lbs)</i>	<i>Pallet Qty.</i>	<i>Standard Carton Qty.</i>
TFA 1000M TA 120/347 LPI CSA	784231156346	Large Floodlight, Horizontal Lamp	1000	MH	120/347	Dark Bronze	Y	65	8	1
TFA 1000M TA 120/347 IS LPI CSA	745976028169	Large Floodlight with Integral Slipfitter	1000	MH	120/347	Dark Bronze	Y	65	8	1

## DIMENSIONS

TFA



## ACCESSORIES

- **FRWB DDB U** Radius Wall Bracket (Dark Bronze)
- **FSAB DDB U** Steel Angle Bracket for Use With Yoke Mount Only (Dark Bronze)
- **FTS U** Tenon Slipfitter for Use With Yoke Mount Only
- **PE1 U** NEMA Twist-Lock Photocontrol (120V, 208V, 240V)

### FEATURES

- Ideal for signs, flags, building facades and landscape lighting
- Die-cast aluminum housing and removable front bezel
- Front bezel removes via position-oriented hinge-cam design and is fully sealed with one-piece, bonded silicone gasket
- Lens is thermal and shock-resistant, clear tempered glass
- OFL is approved for mounting heights above 4'
- EISA compliant

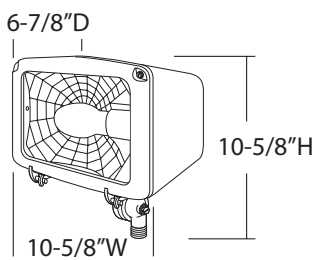


### ORDERING INFORMATION

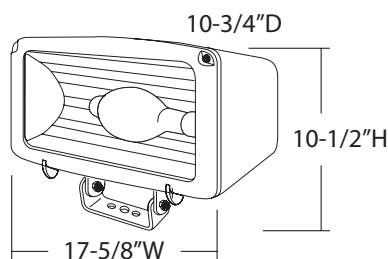
Catalog Number	UPC	Description	Wattage	Lamp Source	Voltage	Finish	Lamp Included	Approximate Weight (lbs)	Pallet Qty.	Standard Carton Qty.
TFM 100M RB 120/347 LPI CSA	745975464968	Small Floodlight, Horizontal Lamp	100	MH	120/347	Dark Bronze	Y	12	64	1
TFR 250M TA 120/347 LPI CSA	784231110379	Medium Floodlight, Horizontal Lamp	250	MH	120/347	Dark Bronze	Y	29	24	1
TFR 250M TA 120/347 IS LPI CSA	784231155851	Medium Floodlight with Integral Slipfitter	250	MH	120/347	Dark Bronze	Y	29	24	1
TFR 400M TA 120/347 LPI CSA	784231110348	Medium Floodlight, Horizontal Lamp	400	MH	120/347	Dark Bronze	Y	32	24	1
TFR 400M TA 120/347 IS LPI CSA	784231155660	Medium Floodlight with Integral Slipfitter	400	MH	120/347	Dark Bronze	Y	32	24	1
OFL 300/500Q 120 LP BZ M6	745973951002	Floodlight with Visor	300/500	Qtz	120	Dark Bronze	Y	2	216	6
OFL 300/500Q 120 LP WH M6	745973951033	Floodlight with Visor	300/500	Qtz	120	White	Y	2	216	6

### DIMENSIONS

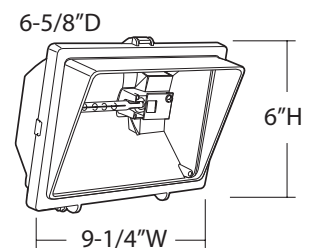
TFM



TFR



OFL



# Building Mounted

## OLW (LED)



## FEATURES

- Ideal for lighting building facades, parking areas, walkways, garages, loading areas and any other outdoor space
- Features a sturdy weather-resistant aluminum housing and a clear polycarbonate lens that protects the optics from moisture, dirt and other contaminants
- The OLW 23 and OLW 31 feature individual, precision-molded optics for Type 3 light distribution
- High performance LEDs powered by a multi-volt driver provide 1,400 lumens (OLW14), 2,300 lumens (OLW 23) and 3,100 lumens (OLW 31) of cool white light (5000K)
- 50,000 hour average LED life means no lamp replacement
- Adjustable dusk-to-dawn, multi-volt photocell is standard
- Tested in accordance with IESNA LM-79 and LM-80

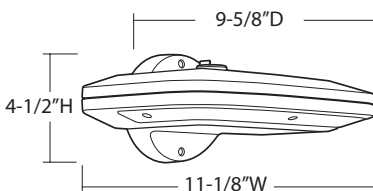
## ORDERING INFORMATION

Catalog Number	UPC	Description	Lumens*	Color Temperature*	Voltage	Finish	Photocell Included	Approximate Weight (lbs)	Pallet Qty.	Standard Carton Qty.
OLW 14 120 PE CUL M2	784231428993	LED Wall Pack, Cut-off	1,436	5470K	120	Bronze	Y	3	128	2
OLW 14 120 PE CUL WH M2	753573058274	LED Wall Pack, Cut-off	1,436	5470K	120	White	Y	3	128	2
OLW 23 M2	784231814574	LED Wall Pack, Cut-off	2,300	5000K	120-277	Bronze	Y	7	96	2
OLW 31 M2	784231815458	LED Wall Pack, Cut-off	3,100	5000K	120-277	Bronze	Y	7	96	2

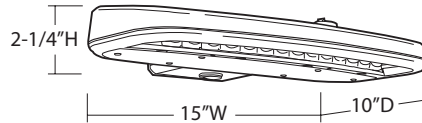
\* Numbers listed are nominal.

## DIMENSIONS

OLW14



OLW 23/OLW 31



## ACCESSORIES

- **FCOS M24** Full Cutoff Shield, Bronze (OLW14 only)
- **FCOS WH M24** Full Cutoff Shield, White (OLW14 only)

## FEATURES

- For outdoor storage areas, warehouse and factory perimeters and loading docks
- Rugged, die-cast aluminum housing
- Refractor is prismatic borosilicate glass which is sealed and gasketed to inhibit entrance of outside contaminants
- Corrosion-resistant captive external hardware includes slotted hex-head fasteners
- EISA compliant

150 - 400 watts

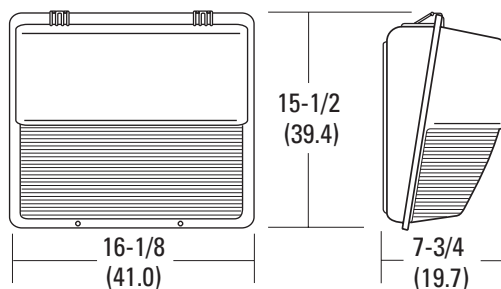


## ORDERING INFORMATION

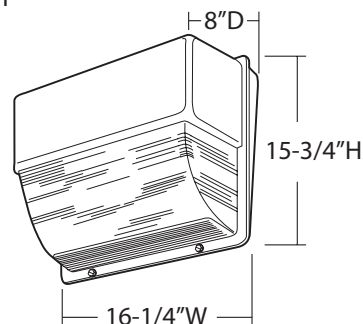
Catalog Number	UPC	Description	Wattage	Lamp Source	Voltage	Finish	Lamp Included	Approximate Weight (lbs)	Pallet Qty.	Standard Carton Qty.
TWP 175M 120/347 LPI CSA	784231077931	Large Wall Pack, Polycarbonate Refractor	175	MH	120/347	Dark Bronze	Y	18	30	1
TWP 150S 120/347 LPI CSA	784231077948	Large Wall Pack, Polycarbonate Refractor	150	HPS	120/347	Dark Bronze	Y	18	30	1
TWH 250M 120/347 LPI CSA	784231062135	Large Wall Pack, Glass Refractor	250	MH	120/347	Dark Bronze	Y	30	16	1
TWH 250S 120/347 LPI CSA	784231062142	Large Wall Pack, Glass Refractor	250	HPS	120/347	Dark Bronze	Y	34	30	1
TWH 400M 120/347 LPI CSA	784231062159	Large Wall Pack, Glass Refractor	400	MH	120/347	Dark Bronze	Y	34	30	1
TWH 400S 120/347 LPI CSA	784231062166	Large Wall Pack, Glass Refractor	400	HPS	120/347	Dark Bronze	Y	38	30	1

## DIMENSIONS

TWP



TWH



# Building Mounted

## 26 - 100 watts CFL/MH/HPS



## FEATURES

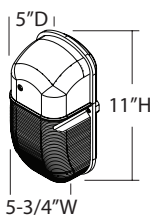
- Ideal for providing outdoor security and perimeter lighting in commercial applications
- Rugged, corrosion-resistant housing
- Housings are sealed with a one-piece gasket to prevent contamination
- Dusk-to-dawn photocell provides automatic on/off (OWP2/3 and TWS only)

## ORDERING INFORMATION

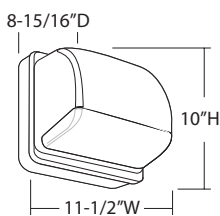
Catalog Number	UPC	Description	Wattage	Lamp Source	Voltage	Finish	Photocell Included	Lamp Included	Approximate Weight (lbs)	Pallet Qty.	Standard Carton Qty.
OWP3 42F 120 P LP BZ M4	745974444367	Mini Wall Pack	42	CFL	120	Dark Bronze	Y	Y	2	256	4
OWP3 42F 120 P LP WH M4	745975460199	Mini Wall Pack	42	CFL	120	White	Y	Y	2	256	4
TWA 100M 120/347 LPI CSA	784231115008	Mini Wall Pack	100	MH	120/347	Dark Bronze	N	Y	10	64	1
OWP2 50M 120 P LP BZ M4	745975479252	Small Wall Pack	50	MH	120	Dark Bronze	Y	Y	5	144	4
OWPC 70M 120 LP DDB M2	784231724255	Small Wall Pack	70	MH	120	Dark Bronze	N	Y	7	100	2
TWS 35S 120 PE LPI M6	784231177167	Small Wall Pack	35	HPS	120	Dark Bronze	Y	Y	4	144	6
TWS 50M 120 PE LPI M6	784231183588	Small Wall Pack	50	MH	120	Dark Bronze	Y	Y	6	144	6
TWS 50S 120 PE LPI M6	784231177143	Small Wall Pack	50	HPS	120	Dark Bronze	Y	Y	5	144	6
TWS 70S 120 PE LPI M6	784231177129	Small Wall Pack	70	HPS	120	Dark Bronze	Y	Y	5	144	6
TWS 26/42TRT 120 PE L/LP M6	784231177211	Small Wall Pack	26-42	CFL	120	Dark Bronze	Y	N	3	144	6
TWS 26/42TRT MVOLT L/LP M6	784231177334	Small Wall Pack	26-42	CFL	120-277	Dark Bronze	N	N	3	144	6
TWR1 100M 120/347 LPI CSA	784231153598	Medium Wall Pack	100	MH	120/347	Dark Bronze	N	Y	15	36	1
TWR1 2/42TRT MVOLT LPI	784231005316	Medium Wall Pack	2-42	CFL	120-277	Dark Bronze	N	Y	11	36	1

## DIMENSIONS

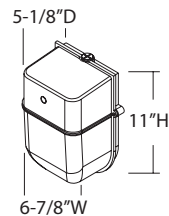
OWP3



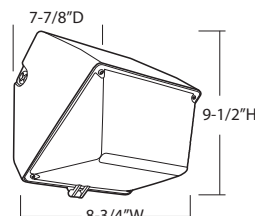
TWA



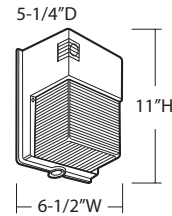
OWP2



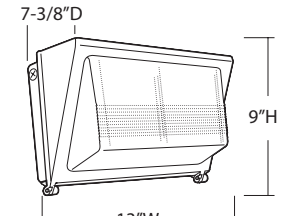
OWPC



TWS



TWR1





## FEATURES

- Provides maintenance-free general illumination for outdoor applications such as building facades, parking areas, walkways, garages and loading areas
- Sturdy weather-resistant aluminum housing; clear polycarbonate lens that protects the optics from moisture, dirt and other contaminants
- 10 high performance, 5000K LEDs are powered by 120 volt driver that uses 35 input watts
- Wall or arm mount; all mounting hardware included (mounting arm sold separately)
- 50,000 hour average LED life means no lamp replacement
- Adjustable dusk-to-dawn photocell is standard

## OLAW (LED)

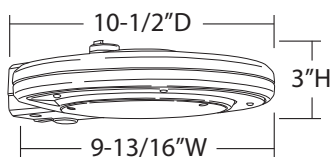


## ORDERING INFORMATION

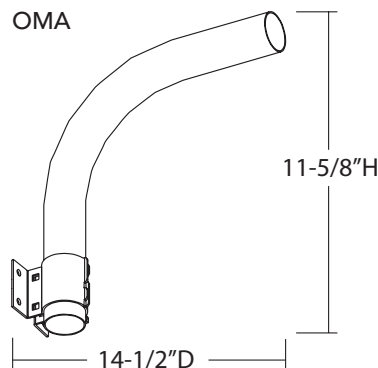
Catalog Number	UPC	Description	Lumens	Color Temperature	Voltage	Finish	Photocell Included	Approximate Weight (lbs)	Pallet Qty.	Standard Carton Qty.
OLAW23 50K 120 CUL PE BZ M2	753573103295	LED Area/Wall Light	2,304	5000K	120	Bronze	Y	3	120	2

## DIMENSIONS

OLAW



OMA



## ACCESSORIES

- OMA M6 14" Aluminum Mounting Arm

# Area Lighting

## KAD



### FEATURES

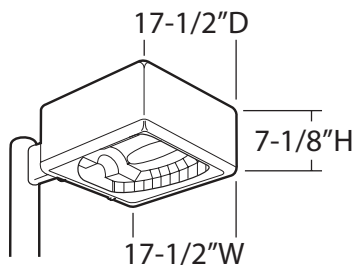
- Ideal for car lots, parking areas and street lighting
- Rugged, die-cast, soft corner aluminum housing
- Impact-resistant, tempered glass lens that is fully gasketed with one piece tubular silicone
- Extruded 4" aluminum arm for square pole mounting, shipped in fixture carton as standard
- EISA compliant



### ORDERING INFORMATION

<i>Catalog Number</i>	<i>UPC</i>	<i>Description</i>	<i>Wattage</i>	<i>Lamp Source</i>	<i>Voltage</i>	<i>Finish</i>	<i>Lamp Included</i>	<i>Approximate Weight (lbs)</i>	<i>Pallet Qty.</i>	<i>Standard Carton Qty.</i>
KAD 250M R3 120/347 SPD04 LPI CSA	745976288648	Area Lighting	250	MH	120/347	Dark Bronze	Y	34	16	1
KAD 400M R3 120/347 SPD04 LPI CSA	745976720827	Area Lighting	400	MH	120/347	Dark Bronze	Y	38	16	1

### DIMENSIONS



### ACCESSORIES

- **RK1 KADDA U** Door Assembly/Lens Installed (Dark Bronze)

## FEATURES

- For parking areas, street lighting, walkways and car lots
- One catalog number includes everything: Contour series KAD fixture(s) with lamp, pole, base cover, anchor bolts and pole top cap
- Choice of single-mount (KC1) or double-mount (KC2)
- Die-cast, soft-corner aluminum housing
- Die-cast door frame has impact-resistant, tempered flat glass lens which is fully gasketed
- Extruded 4" soft corner arm for square pole mounting

## Fixture, Pole Combo



## ORDERING INFORMATION

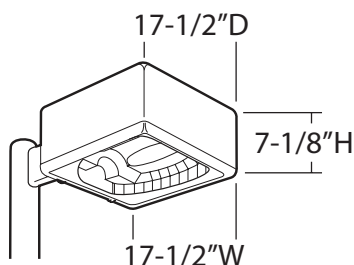
Catalog Number	Description	Wattage	Lamp Source	Voltage	Finish	Lamp Included
KC1250M20C R3 4C CSA	1 Fixture, 20' Pole Combo	250	MH	120/347	Dark Bronze	Y
KC1400M25C R3 4C CSA	1 Fixture, 25' Pole Combo	400	MH	120/347	Dark Bronze	Y
KC2250M20C R3 4C CSA	2 Fixture, 20' Pole Combo	250	MH	120/347	Dark Bronze	Y
KC2400M20C R3 4C CSA	2 Fixture, 25' Pole Combo	400	MH	120/347	Dark Bronze	Y

\*Catalog and UPC info for shippable, fixture components may vary based upon quantity ordered

Example: KC2250M20C R3 4C CSA  
Consists of:

Catalog Number	Description
SSS 20 4C DM28 PL DDB SHAFT	Pole
KAD 250M R3 120/347 SPD04 LPI CSA	Fixture
SBC4 DDB U	Base Cover
ABSSS-4C	Anchor Bolts
STC-4 U	Pole Top Cap

## DIMENSIONS









**sensorswitch**<sup>®</sup>

# CONTROLS

Wall Switch  
Sensors

Low Voltage

Power Packs

Line Voltage

Photocontrols

Timer Switches



# Wall Switch Sensors

## WSD



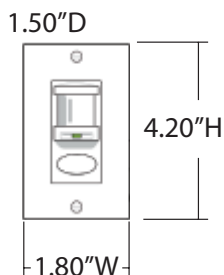
## FEATURES

- No neutral required/no minimum load (even for dual technology)
- Mounting strap provides redundant grounding
- Reversible line and load connections (impossible to wire backwards)
- All-digital push-button programming; settings include Time Delay, Auto On or Manual On or Enable/Disable Switch
- Adjust all WSD series settings without removing wall plate or using tools
- WSD Series: 800W/1200W at 120/277 VAC detects hand motions to 20 ft.

## ORDERING INFORMATION

Catalog Number	UPC	Description	Pallet Qty.	Standard Carton Qty.
WSD WH	745975809714	Wall Switch Decorator Sensor - Passive Infrared (PIR): White	1728	1
WSD PDT WH	745975810048	Wall Switch Decorator Sensor - Dual Technology (PDT): White	1728	1
WSD 2P WH	745975809981	Wall Switch Decorator Sensor - Passive Infrared (PIR), 2-Pole: White	1728	1
WSD PDT 2P WH	745975810086	Wall Switch Decorator Sensor - Dual Technology (PDT), 2-Pole: White	1728	1
WSD IV	745975809684	Wall Switch Decorator Sensor - Passive Infrared (PIR): Ivory	1728	1
WSD PDT IV	745975809998	Wall Switch Decorator Sensor - Dual Technology (PDT): Ivory	1728	1
WSD 2P IV	745975809974	Wall Switch Decorator Sensor - Passive Infrared (PIR), 2-Pole: Ivory	1728	1
WSD PDT 2P IV	745975810024	Wall Switch Decorator Sensor - Dual Technology (PDT), 2-Pole: Ivory	1728	1

## DIMENSIONS



# Low Voltage Sensors & Power Packs

## FEATURES

- Ideal for spaces requiring multiple sensors
- No sensitivity adjustments required – install and forget
- Simple push-button time delay adjustment requires no tools
- Utilizes power pack (PP20/MP20) to switch entire circuit
- Convenient mounting without junction boxes
- Ceiling enclosure mounts directly to ceiling tiles and wide view enclosure mounts in a corner

CM/WV/HW  
PP20/MP20

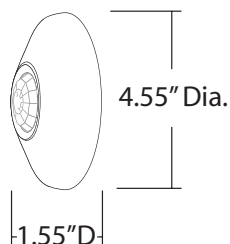


## ORDERING INFORMATION

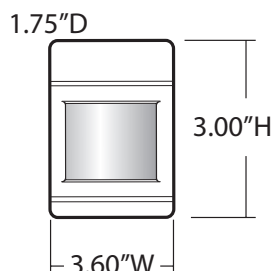
Catalog Number	UPC	Description	Pallet Qty.	Standard Carton Qty.
CM 9	745975808304	Standard Range 360° Sensor - Ceiling Mount, Low Voltage, Passive Infrared (PIR)	1200	1
CM PDT 9	745975808229	Standard Range 360° Sensor - Ceiling Mount, Low Voltage, Dual Technology (PDT)	1200	1
CM 10	745975808335	Extended Range 360° Sensor - Ceiling Mount, Low Voltage, Passive Infrared (PIR)	1200	1
CM PDT 10	745975808243	Extended Range 360° Sensor - Ceiling Mount, Low Voltage, Dual Technology (PDT)	1200	1
WV 16	745975810093	Wide View Sensor - Corner Mount, Low Voltage, Passive Infrared (PIR)	1500	1
WV PDT 16	745975810116	Wide View Sensor - Corner Mount, Low Voltage, Dual Technology (PDT)	1500	1
HW13	745975809561	Hallway - Wall Mount, Low Voltage, Passive Infrared (PIR)	1500	1
MP20	745975809585	Mini Power Pack	1400	1
PP20	745975809592	Power Pack - Relay Circuit Protection	1400	1

## DIMENSIONS

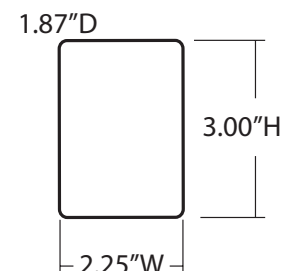
CM



WV/HW



PP20/MP20



# Line Voltage Sensors

## CMR/CMRB/HMRB

## FEATURES



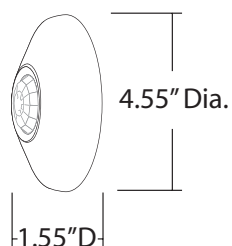
- Great for retrofit projects; no power packs required
- Integrated relay(s) saves time and costs
- Reversible line and load connections (impossible to wire backwards)
- Convenient for inaccessible/hard ceiling applications
- Simple installation with versions available that mount to 3½" octagon and handy boxes or direct to a fixture through ½" knockout
- Two-pole versions of all line voltage sensors also available (consult full Sensor Switch catalog)

## ORDERING INFORMATION

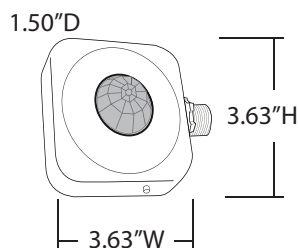
Catalog Number	UPC	Description	Pallet Qty.	Standard Carton Qty.
CMR 9	745975808281	Standard Range 360° Sensor - Ceiling Mount, Line Voltage, Passive Infrared (PIR)	1200	1
CMR PDT 9	745975809448	Standard Range 360° Sensor - Ceiling Mount, Line Voltage, Dual Technology (PDT)	1200	1
CMR 10	745975808250	Extended Range 360° Sensor - Ceiling Mount, Line Voltage, Passive Infrared (PIR)	1200	1
CMR PDT 10	745975809530	Extended Range 360° Sensor - Ceiling Mount, Line Voltage, Dual Technology (PDT)	1200	1
CMRB 6	745975808359	High Bay 360° Sensor - Fixture Mount, Line Voltage, Passive Infrared (PIR)	1200	1
CMRB 50	745975808380	High Bay Aisleway Sensor - Fixture Mount, Line Voltage, Passive Infrared (PIR)	1200	1
HMRB 10	745975866625	High Bay End of Aisle Sensor - Fixture Mount, Line Voltage, Passive Infrared (PIR)	1728	1

## DIMENSIONS

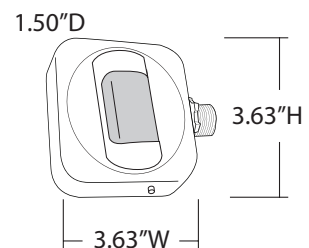
CMR



CMRB



HMRB



## FEATURES

- Ideal for public spaces with windows like vestibules, corridors or bathrooms
- Self-calibrating – capable of finding optimum set-point
- Easy to apply – deploy standalone or combine with occupancy sensors
- Available in low or line voltage and in several enclosures
- Sensors are powered with 12 to 24 VAC/VDC and typically operate with a PP20 or MP20 Power Pack

## CM/CMRB

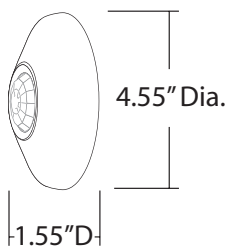


## ORDERING INFORMATION

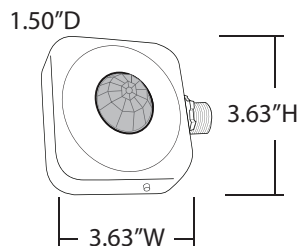
<i>Catalog Number</i>	<i>UPC</i>	<i>Description</i>	<i>Pallet Qty.</i>	<i>Standard Carton Qty.</i>
CM PC	745975860241	On/Off Photocell - Ceiling Mount, Low Voltage	1200	1
CMRB PC	745975863952	On/Off Photocell - Fixture Mount, Line Voltage	1200	1

## DIMENSIONS

CM



CMRB



# Daylighting Control Sensors

## CM/CMRB



## FEATURES

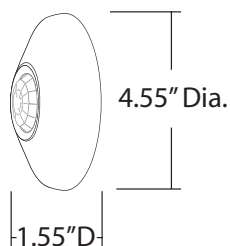
- Provide continuous control of dimmable ballasts for day light harvesting applications
- Self-calibrating – capable of finding optimum set-point
- Inhibit only, on/off, stepped dimming and 0-10 VDC dimming varieties (consult full Sensor Switch catalog)
- All units are powered by 12 to 24 VAC/VDC
- Available in low or line voltage

## ORDERING INFORMATION

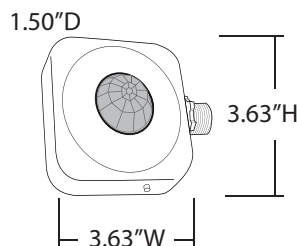
<i>Catalog Number</i>	<i>UPC</i>	<i>Description</i>	<i>Pallet Qty.</i>	<i>Standard Carton Qty.</i>
CM ADC	745975859337	Automatic Dimming Control Photocell - Ceiling Mount, Low Voltage	1200	1
CM PC ADC	745975860364	Combination On/Off & Automatic Dimming Control Photocell - Ceiling Mount, Low Voltage	1200	1
CMRB ADC	745975863921	Automatic Dimming Control Photocell - Fixture Mount, Line Voltage	1200	1
CMRB PC ADC	745975864126	Combination On/Off & Automatic Dimming Control Photocell - Fixture Mount, Line Voltage	1200	1

## DIMENSIONS

CM



CMRB





# Programmable Timer Switches

## FEATURES

PTS 60/PTS 720

- Lighting control alternative to wall switch occupancy sensors
- Intended to switch a line voltage lighting load or small motor load
- Elegant, decorator style wall switches provide 6 preset timer selections as well as an on/off push-button
- Powered from 120/277V VAC
- No neutral required making them ideal for retrofit applications

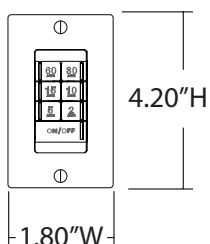


## ORDERING INFORMATION

Catalog Number	UPC	Description	Pallet Qty.	Standard Carton Qty.
PTS 60 WH	784231457870	Electronic Automatic Shut-off Timer Switch, 60 Minute Maximum, Line Voltage: White	1728	1
PTS 60 IV	784231531563	Electronic Automatic Shut-off Timer Switch, 60 Minute Maximum, Line Voltage: Ivory	1728	1
PTS 720 WH	784231457962	Electronic Automatic Shut-off Timer Switch, 12 Hour Maximum, Line Voltage: White	1728	1
PTS 720 IV	784231531594	Electronic Automatic Shut-off Timer Switch, 12 Hour Maximum, Line Voltage: Ivory	1728	1

## DIMENSIONS

PTS 60/ PTS 720



## Delivering the promise of LED

Lithonia Lighting offers a comprehensive portfolio of intelligent indoor and outdoor lighting solutions unmatched in the marketplace. By integrating LED sources with digital controls, the company's offerings maximize light quality and minimize total ownership costs. Customers benefit from additional distinctions: an enduring heritage of superior performance; the manufacturing scale of a market leader; and a fresh, innovative approach to evolving technology.



## The benefits of LED

### Indoor

- Increases Energy Savings
- Improves Quality of Light
- Maintains Light Illumination
- Integrates Controls Easier
- Provides Full Brightness at Start Up
- Reduces Glare

### Outdoor

- Lowers Maintenance Costs
- Provides Longer Fixture Life
- Creates Safer Environment
- Integrates Controls Easier
- Maintains Light Illumination
- Increases Energy Savings



# LED

## Stock Guide LED Products

- Indoor
- Outdoor

## Additional Specification LED Products

- Indoor
- Outdoor

## LED Troffers



### FEATURES

- Long-life LEDs, coupled with high-efficiency drivers, provide superior level of illumination
- Rated to deliver L80 performance for 50,000 hours
- Fully dimmable LED with lightout range from 10-100%
- See page 7 for additional information

## Rayzer LED Undercabinets



### FEATURES

- 50,000 hour long-lasting LEDs provide even illumination (3000K with CRI 85)
- Durable aluminum, low-profile design
- Link up to 10' of fixtures per transformer
- See page 62 for additional information

## REALITY™ Residential LED Module



### FEATURES

- LED module for use in retrofit/remodel or new construction applications where energy savings, long-life, and functional delivered light levels are required
- Energy-star approved; Wet location listed; Electronic low-voltage (ELV) dimming standard
- Features narrow design, allowing retrofit module to fit in most incandescent, fluorescent and GU24 recessed housings
- See page 79 for additional information

## L Series LED Downlighting Modules



### FEATURES

- Features focused LED optics that direct light without sacrificing the warm look of traditional lighting
- 80% more energy efficient than comparable incandescent lamps
- Virtually maintenance free, lasting 17x longer than traditional lighting sources
- See page 80 for additional information

## FEATURES

---

- Tool-free adjustable heads allow for easy aiming up/down or side-to-side
- Clear acrylic lenses are fully gasketed to keep out moisture, dirt and bugs
- Each head contains (3) high performance LEDs which maintain their lumen output at 50,000 hour life
- See page 90-91 for additional information

## OFLR LED Floodlights



## FEATURES

---

- 50,000 hour average LED life means no lamp replacement
- Fixture is maintenance-free
- Adjustable dusk-to-dawn, multi-volt photocell is standard
- See page 94 for additional information

## OLW LED Wall Packs



## FEATURES

---

- Wall or arm mount; all mounting hardware included (mounting arm sold separately)
- 50,000 hour average LED life means no lamp replacement
- Adjustable dusk-to-dawn photocell is standard
- See page 97 for additional information

## OLAW LED Security Luminaire





# INDOOR: Additional Specification LED Products

## RTLED High-Performance Volumetric Troffer



### FEATURES

- Configurations include 2x2, 2x4 and 1x4 with lumen packages ranging from 2,200-4,800 lumens
- Volumetric illumination delivers a more balanced, complementary luminous environment
- Features embedded intelligent controls
- See [www.lithonia.com/RTLED](http://www.lithonia.com/RTLED) for more information

## VTLED Volumetric Troffer



### FEATURES

- Configurations include 2x2 and 2x4 with lumen packages ranging from 2,200-4,800 lumens
- High-quality, cost-effective digital solution
- Features embedded intelligent controls
- See [www.lithonia.com/VTLED](http://www.lithonia.com/VTLED) for more information

## ACLEd Architectural Coffe



### FEATURES

- Unique architectural design creates a quiet ceiling
- 3,300 lumen package provides uniform distribution
- Includes simple integrated controls
- See [www.lithonia.com/ACLEd](http://www.lithonia.com/ACLEd) for more information

## TLED Ambient Troffer



### FEATURES

- Best quality general purpose LED luminaires
- Includes embedded intelligent controls
- 3,300 lumens offer a superior quality of light
- See [www.lithonia.com/TLED](http://www.lithonia.com/TLED) for more information

## LED Mini Pendants & Sconces



### FEATURES

- 3000K high-performance LEDs which maintain 280 lumen output; 9.5 watts
- Pendant mount includes 78" coax cable for tool-free adjustment
- Fully dimmable down to 10%
- See [www.lithonia.com/LEDpendants-sconces](http://www.lithonia.com/LEDpendants-sconces) for more information

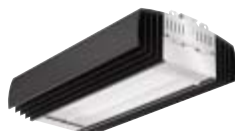
## Z Series LED Striplights



### FEATURES

- Cove, warehouse, cold storage, under canopy and retail
- 2' and 4' lengths; 1,400-6,000 lumens; controls available
- Superior color consistency and 83 CRI
- See [www.lithonia.com/ZSeries](http://www.lithonia.com/ZSeries) for more information

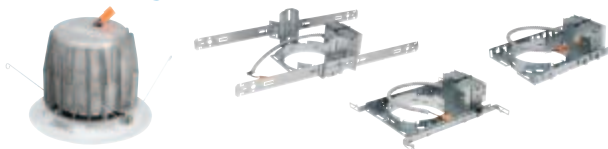
## PROTEON™ LED High Bay



### FEATURES

- Cold storage, manufacturing, warehouse, gymnasium and other large spaces
- 65% more efficient than HID; optional controls
- Predicted life greater than 100,000 hours
- See [www.lithonia.com/PROTEON](http://www.lithonia.com/PROTEON) for more information

## REALITY™ Commercial LED Downlight



### FEATURES

- 3500K high performance LEDs with nominal 1,000 lumen output
- 0-10V dimming is standard
- Frame choices available for new construction and renovation projects
- See [www.lithonia.com/Reality](http://www.lithonia.com/Reality) for more information

# OUTDOOR: Additional Specification LED Products

## FEATURES

---

- Ideal for parking areas, street lighting, walkways and car lots
- Energy Savings – up to 68% savings over HID
- Long Life – 15+ years expected service life
- Available in Type 2, Type 3, Type 4 and Type 5 distributions
- See [www.lithonia.com/KAD-LED](http://www.lithonia.com/KAD-LED) for more information

## Contour® KAD LED Area Luminaire



## FEATURES

---

- Ideal for parking garages, convenience stores, hotels and walkways
- Expected service life of 60,000 hours
- Surface or Yoke Mounting options
- Available in Type 2, Type 3, Type 4 and Type 5 distributions
- See [www.lithonia.com/KACM-LED](http://www.lithonia.com/KACM-LED) for more information

## Contour® KACM LED Canopy Luminaire



## FEATURES

---

- Architectural round and oval fixtures with several faces to choose from
- May be mounted to the wall or ceiling in indoor or outdoor applications
- Controls-enabled to increase energy savings
- See [www.lithonia.com](http://www.lithonia.com) for more information

## GATEWAY® LED Rough Service Luminaires



## FEATURES

---

- Smart choice for commercial and municipal garage applications
- Provides energy savings of 64-85% when replacing 175W MH luminaires
- Expected service life of over 100,000 hours (10+ years of 24/7 operation)
- See [www.lithonia.com/D-Series](http://www.lithonia.com/D-Series) for more information

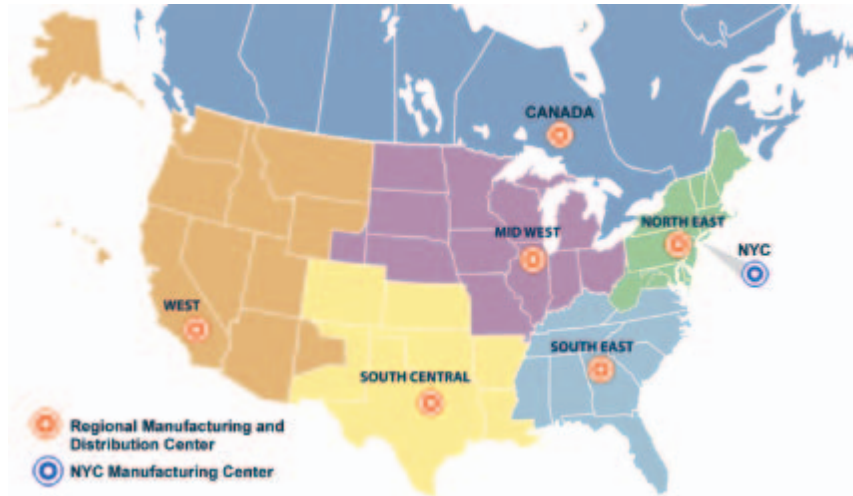
## D-Series LED Parking Garage



# QUICK SHIPMENT CAPABILITY

## LOCAL STOCK

- Distribution centers in each region of the country
- Product is available for will call or shipment same day (order received by noon) or next day
- Product availability is visible on the Lithonia Distributor Center (LDC)



## REGIONAL MANUFACTURING CENTERS

- We have expanded our inventory stocking programs and invested in just-in-time, regional manufacturing centers across the United States and Canada
- Over 4,000 additional products can be manufactured at these locations

For a list of available products and shipment timeframes, visit [www.acuitybrands.com/quickship](http://www.acuitybrands.com/quickship)

# AVAILABLE

Lithonia Lighting offers the most comprehensive quick shipment service in the business. With distribution centers in each region of the country, Lithonia Lighting has more than 3.1 million units in stock for immediate shipment. Additionally, regional manufacturing capabilities allow us to assemble more than 4,000 products to order. This flexibility enables you to respond to customers' needs where breadth of product and speed are critical factors.

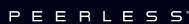
# PRODUCT SELECTION GUIDE

Although this Stock Guide provides a solid summary of the key, high volume items available from Lithonia Lighting and Sensor Switch, it only scratches the surface of Acuity Brands' total product portfolio of leading lighting and controls brands. Our 800-page Product Selection Guide (PSG10) offers a comprehensive look at the billions of product configurations we offer to meet the requirements of even the most complex projects.

- To view or download full PDF versions of PSG10, visit [Lithonia.com/PSG](http://Lithonia.com/PSG)
- For a quick product search, view the Interactive eCatalog
- Contact your local sales representative to order a printed copy



**AcuityBrands**



# Acrylic Compatibility Table

Certain chemicals that may exist in end-user locations release airborne contaminants that can impact the integrity and safety of key fixture components that contain acrylic material. Immediate damage may occur such as crazing, cracking, permeation losses and mechanical failure. Products with visually noticeable deterioration have diminished integrity and must be replaced immediately with a more suitable product for the application.

This table identifies the most common chemicals and is not intended to be all-inclusive. Exposure to compounds identified as "Not Acceptable" will void all warranties associated with the product. Acrylic components should not be used in areas where these chemicals are used and where these chemicals become mists or airborne vapors. Ensure that chemical interactions are considered when selecting fixtures. For additional information please consult an authorized factory representative.

NOT ACCEPTABLE		ACCEPTABLE	
Acetaldehyde, 100%	Dibutyl Sebacate	Petroleum Ether (100-120C)	2-Ethylhexyl Sebacate
Acetates	Diethyl Ether	Phenois	Acetic Acid 5%
Acetic Acid, Glacial, 100%	Dimethyl Formamide	Phenol, Aqueous, 5%	Ammonia-based Cleaners
Acetic Anhydride	Dioctyl Sebacate	Phosphoric Acid, 95% @ 20C	Ammonia Gas
Acetone	Dioxane	Phthalates	Ammonium Hydroxide, 28%
Acetonitrile	Ether	Pyridine	Ammonium Nitrate
Acetophenone	Ethyl Acetate	Sodium Carbonate, 2%	Ammonium Phosphate
Acrylic Paints	Ethyl Alcohol, Concentrated	Sodium Carbonate, 20%	Aniseed, Bay Leaves, Nutmeg
Alcohol, Allyl	Ethyl Bromide	Sodium Phosphate	Anti-freeze
Alcohol, Amyl	Ethyl Butyrate	Sulfur Dioxide, Liquid	Beer
Alcohol, Benzyl	Ethylene Bromide	Sulfuric Acid, 98%	Bleaching Power Paste
Alcohol, Ethyl, 100%	Ethylene Dibromide	Sulfurous Acid, Concentrated	Bleaching Powder Solution, 2%
Alcohol, Ethyl, 50%	Ethylene Oxide (Moist)	Tincture of Iodine, 5%	Calcium Hypochlorite
Alcohol, Isopropyl, 100%	Glass Cleaners	Toluene	Car Wash Detergent
Alcohol, Methyl, 10%	Glycol	Transformer Oil	Carbon Dioxide Gas
Alcohol, Methyl, 100%	Hydrogen Peroxide, 28%	Trichloroethane	Carbon Monoxide Gas
Alcohol, Methyl, 50%	Hydrogen Peroxide, 3%	Trichloroacetic Acid	Caustic Potash
Alcohol, N-Butyl	Iron Perchloride	Trichloroethylene	Chlorine Based Cleaners
Amyl Acetate	Isoctane	Unleaded Gasoline	Chlorine, Aqueous, 2%
Aniline	Isopropyl Alcohol	Vegetable Oil	Citric Acid, 10%
Aviation Fuel (100 Octane)	Lacquer Thinner	Xylene	Coffee
Benzaldehyde	Lactic Acid Butyl Ester		Cooking Oil
Benzene	Mercury Chloride		Cottonseed Oil
Benzoic Aldehyde	Meta-Cresol		Diethylene Glycol
Brake Fluid	Methanol, 15%		Epoxy Adhesives
Bromine Gas	Methanol, Concentrated		Ethyl Alcohol, 15%
Butanol	Methyl Benzoate		Ethylene Glycol E
Butraldehyde	Methyl Chloride		Ethylene Oxide (Dry)
Butyl Acetyl Ricinoleate	Methyl Cycohexanol		Ferric Chloride, Aqueous, 10%
Butyl Stearate	Methyl Ethyl Ketone		Formaldehyde, Aqueous, 40%
Carbolic Acid	Methyl Naphthalene		Fruit Juice
Carbon Disul de	Methyl Salicyclate		Glycerol
Carbon Disulfide	Methylamine		Heptane
Cellulose Paints	Methylene Dichloride		Hexane
Chlorinated Hydrocarbons	Mineral Oil		Hydrochloric Acid, 38%
Chlorinated Solvents	Motor Fuel Mixture, with Benzene		Kerosene
Chlorine Gas	Nail Polish		Lactic Acid
Chlorophenol	Naphtha		Metal Carbonates
Chromic Acid, 40%	N-Butyric Acid, 100%		Metal Chlorides
Cloves	Nitric Acid, 40%		Metal Sulfates
Cosmoline Removers	Nitric Acid, 70%		Methane Gas
Cresol	Nitrobenzene		Milk
Cyclohexane	N-Octane		Milk, Chocolate
Cyclohexanone	Organic Solvents		Motor Fuel Mixture, without Benzene
Cyclohexene	Paint Removers		Motor Oil
Detergent Solution	Paint Thinner		Natural Gas
Diacetone Alcohol	Perchlorthylene		Nitric Acid, 10%
Diamyl Phthalate			Nitrogen Dioxide Gas
			Nitrogen Monoxide Gas
			Olefric Carbolic Acids
			Oleic Acid
			Olive Oil
			Oxalic Acid, 100%
			Oxygen Gas
			Ozone Gas
			Paraffin, Medicinal
			Pepper, Cinnamon, Onions
			Phosphoric Acid, 10% @ 20C
			Photographic Baths
			Polishing Compounds
			Potassium Chlorate
			Potassium Cyanide
			Potassium Dichromate, 10%
			Potassium Hydroxide @ 20C
			Potassium Permanganate
			Potassium Sulfite
			Power Steering Fluid
			Propylene
			Pure-oil Paints
			Silicone Oil
			Silver Nitrate
			Soap Suds
			Soda
			Sodium Chloride, 10%
			Sodium Cyanide
			Sodium Fluoride
			Sodium Hydroxide, 60%
			Sodium Nitrate
			Sodium Thiosulphate, 40%
			Stearic Acid
			Sulfur Dioxide, Dry Gas
			Sulfuric Acid, 30%
			Sulfurous Acid, 5%
			Tararic Acid, 50%
			Transmission Fluid
			Tricresyl Phosphate
			Triethyl Amine
			Vinegar
			Water, Mineral Water
			Wax Polish
			White Spirit
			Whitewash
			Wine

The statements, technical information and recommendations obtained herein are believed to be accurate as of June 1, 2009. Since the conditions and methods of use of the product and of the information referred to herein are beyond our control, Acuity Brands Lighting expressly disclaims any and all liability. NO WARRANTY OF FITNESS FOR ANY PARTICULAR PURPOSE, WARRANTY OF MERCHANTABILITY OR ANY OTHER WARRANTY, EXPRESS OR IMPLIED, IS MADE CONCERNING THE GOODS DESCRIBED OR THE INFORMATION PROVIDED HEREIN. The user should thoroughly test any application before commercialization.



<b>Description .....</b>	<b>Page #</b>	<b>Description .....</b>	<b>Page #</b>
Area Lighting .....	98-99	Medium Floodlight.....	93
Basket Troffers.....	49	Micro Floodlight .....	34
Building Mounted .....	36-37, 94-96	Motion Sensor Floodlight.....	90
Ceiling Mount Utility .....	40	Motion Sensors .....	90-91
Commercial Downlighting .....	28-31, 84-87	Narrow-Basket Wraps .....	10
Curved-Basket Wraps .....	9, 52	Parabolics.....	50
Daylighting Control Sensors .....	106	Photocontrols.....	105-106
Dusk-to-Dawn Sensors.....	91	Portable Work Light .....	39
Enclosed Industrial.....	21, 75	Power Packs .....	103
Energy-Saving, Louvered T8 .....	51	Programmable Timer Switches.....	107
Entry Lights.....	41	Quartz Floodlighting .....	35, 93
Floodlighting .....	34-35, 90-93	Rayzer LED Undercabinet .....	62-63
Fluorescent High Bays .....	16-17, 70-71	REALITY Downlights.....	78-79
General Purpose Industrial Strip.....	15, 68	Residential Downlighting.....	23-27, 78-83
General Purpose Strip Lights .....	12, 59	Security Lighting.....	33, 97
Heavy-Duty Industrial Strip.....	15, 69	Sensor Switch.....	100-107
Heavy-Duty Strip Lights .....	13	Small Floodlight .....	93
HID High Bays .....	18, 72	Square-Basket Wraps .....	10, 53
HID Low Bays .....	19, 73	Strip Lights.....	11-13, 59-61
I-BEAM Fluorescent High Bays.....	70-71	T5 Fluorescent High Bays.....	16, 70
Industrial Strips.....	15, 68-69	T8 Fluorescent High Bays.....	17, 71
LED Building Mounted .....	94	Temporary Worklight .....	18
LED Downlights.....	78-81	Tripod Stand Worklight .....	39
LED Floodlighting.....	90-91	Troffers.....	7-8, 48-49
LED Products .....	108-113	Undercabinets .....	62-65
LED Security Lighting .....	97	Utility Vapor Tights.....	38
LED Troffers .....	7	Volumetric Lighting .....	46-47
LED Undercabinets .....	62-63	Wall Bracket .....	58
Lensed Troffers .....	8, 48	Wall Switch Sensors .....	102
Line Voltage Sensors .....	104	Wet Location Industrials.....	20, 74
Litepuff .....	56-57	Work Lights .....	39
Low-Profile, Curved-Basket Wraps.....	9, 52	Wraps.....	9-10, 52-53
Low-Profile Strip Lights.....	11, 60-61	Z Strips .....	11, 60-61
Low Voltage Sensors .....	103		

# Your total **LED** lighting solution



### ADDITIONAL LED APPLICATIONS



LED lighting offers the potential for more sustainable solutions, increased design flexibility and lower operating costs. Lithonia Lighting is committed to providing long-term lighting solutions that are enhanced by other advanced technologies, including lighting controls.

For more information and to view additional product offering, visit  
[www.lithonia.com/led](http://www.lithonia.com/led) | [www.sensorswitch.com](http://www.sensorswitch.com)

