

INSTALLATION INSTRUCTIONS

AVSM AVANTE SURFACE / SUSPENDED / PENDANT MOUNT

FOR USE WITH AVSM ONLY. NOT INTENDED FOR WALL MOUNT.

UPON RECEIPT OF MERCHANDISE: Thoroughly inspect for any freight damage, which should be brought to the attention of the carrier. Compare the catalog description listed with the fixture label on the merchandise to be sure you have received the correct merchandise. You should receive three pre-packs of material with this shipment.

Prepare Fixture for Surface/Suspended/Pendant Mounting:

1. Remove diffuser.
2. Remove lamps (if equipped) as shown in figure 1.
For T5 lamps: Twist and lift lamp. Remove from fixture.
For T8 lamps: Twist and lift lamp. Slide end of lamp slightly through opening in end piece to allow lamp to be pulled out of fixture with ease. See Figure 1.
For compact fluorescent lamps: Remove lamp from lamp clamp and socket.
3. Remove screws from channel cover. Squeeze and lift channel cover to remove.
4. **Remove shipping clips on each end by unscrewing black plastic screw. Pry the shipping clip off the fixture.**
5. Refer to appropriate mounting type for further instructions.

Surface Mount:

Tee Bar:

1. For electrical connection, remove knockout on side of channel closest to feed point.
2. Use appropriate electrical connectors.
3. For installation, remove two 5/8" knockouts on top of channels. Place ceiling clips on tee bar. Refer to B-line pre-pack for additional instructions. Measure distance between 5/8" knockouts for proper clip placements.
4. Place 5/8" knockouts over screws in ceiling clips. Secure fixture by tightening washer nuts onto the exposed threaded section of ceiling clips.

Hard Ceiling:

1. Drill channel at appropriate locations and secure with appropriate fastener.
2. Use appropriate electrical connectors.

Suspended Mount to Ceiling:

1. Remove knockout at feed point on top of channel.
2. Use appropriate electrical connectors.
3. Install Cable Mounting Plate every four feet or at the end of every unit with three self-tapping screws (included).
4. Refer to Installation Instructions shipped with the AVACF30 Feed Kit & AVAC30 Non-feed kit for further mounting instructions.

Pendant Mount to Ceiling:

1. Remove all knockouts at feed and hanging points on top of channel.
2. Use appropriate electrical connectors.
3. Refer to Installation Instructions shipped with the SCY4 Stem Kit for further mounting instructions.

To join fixtures:

1. Pre-position four pressure sensitive tape strips as indicated in Figure 2.
2. Insert alignment plate with tabs on each end pointed down into end of one fixture.
3. Remove non-stick tabs on pressure sensitive tape before joining fixtures.
3a. For suspended mounting: Before joining fixtures install the cable mounting plate (with stud) on first fixture to be installed.
4. Install joining fixture by sliding alignment plate into formed slot in channel. Make sure joiners are properly aligned before allowing pressure sensitive tape to contact adjoining fixture.
4a. For suspended mounting: Join second fixture to first by supporting both fixtures while installing cable mounting plate (without stud) over cable mounting plate (with stud). Secure with three self-tapping screws (included).
5. Secure bottom of joint by inserting alignment screws into large pre-formed holes and driving tight (screws are inserted in opposite directions).
6. Make electrical connections as required according to the National Electrical Code.

When mounting is complete:

1. Use appropriate electrical connectors.
2. Replace channel cover.
3. Relamp.
4. Apply slotted metal endplates to end of channel (if not joining to another fixture).
5. Replace snap-on diffuser.
6. Snap on finished end over slotted metal end plates. Be sure to align tabs with slots in metal end plate.

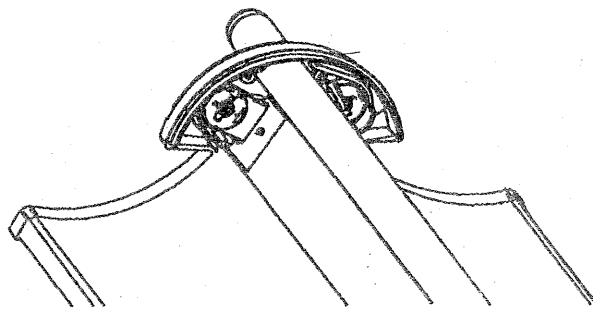


Figure 1

INSTALLATION INSTRUCTIONS

AVSM AVANTE SURFACE / SUSPENDED / PENDANT MOUNT

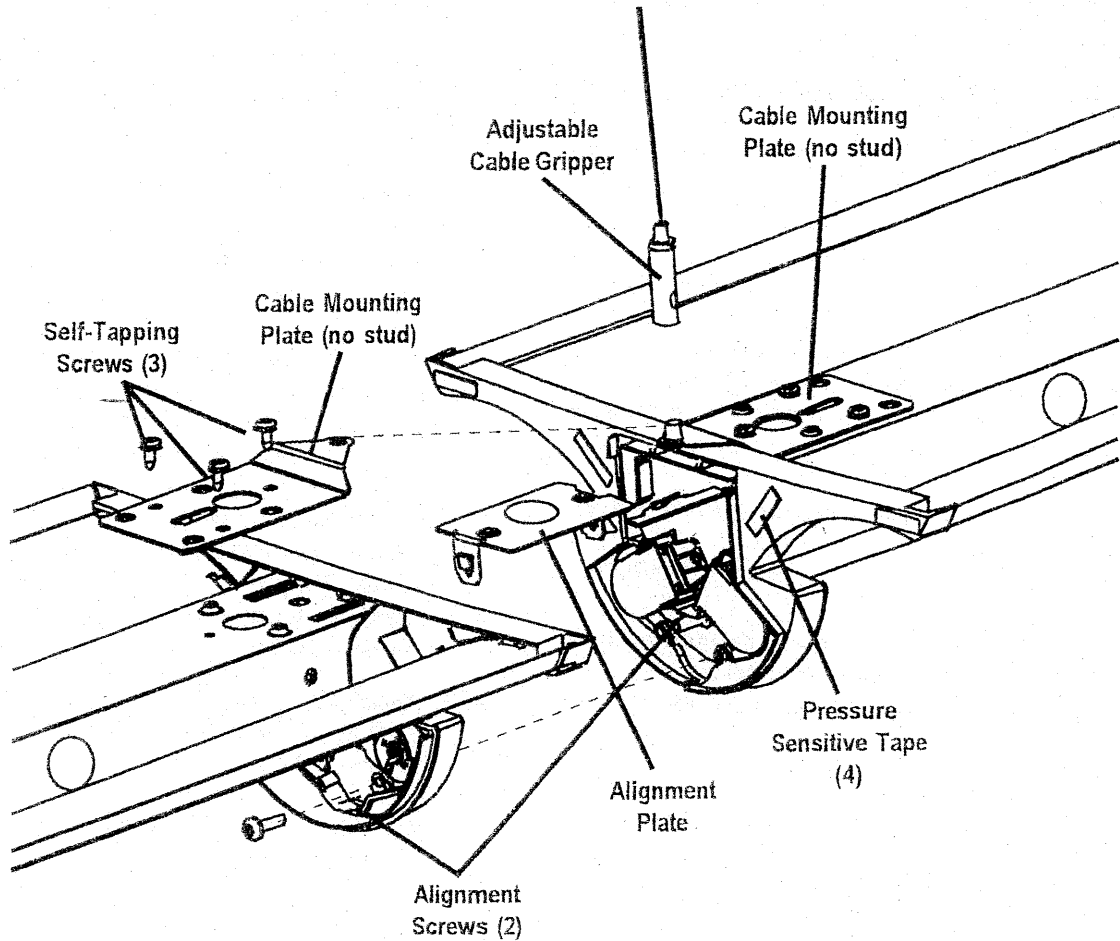
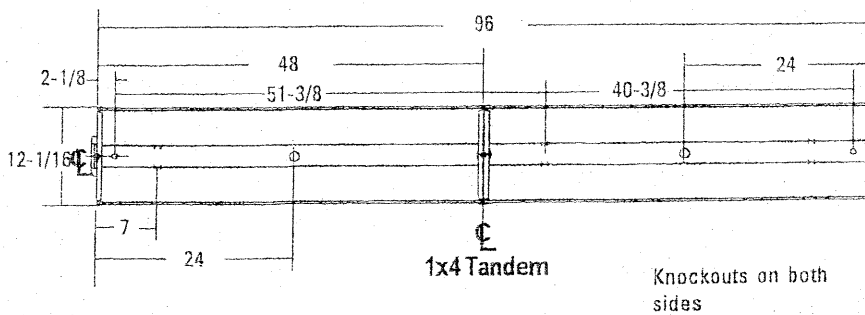
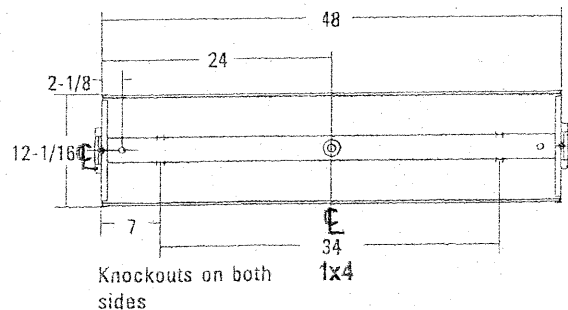
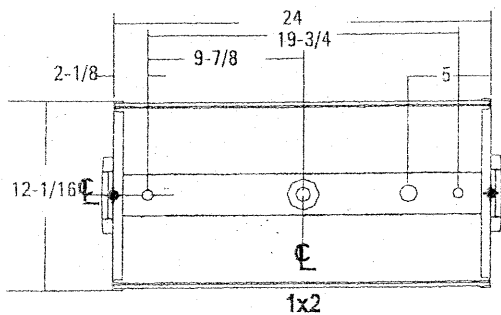


Figure 2

Mounting Data



KEY

- 5/8" Knockout
- 7/8" Knockout
- ⊙ 2" Double Knockout
- ◆ Mounting Point

INSTALLATION INSTRUCTIONS
AVACF30 & AVAC30

Avante Suspended Mount
Cable Suspended Assembly Pack

Upon receipt, thoroughly inspect for any freight damage which should be brought to the attention of the delivery carrier. Compare the catalog description listed on the packing slip with the label on the carton to ensure you have received the correct merchandise.

IMPORTANT SAFETY INFORMATION
For Your Protection, Read Carefully

WARNING - Risk of fire. Do not install insulation within 3 inches of fixture sides or wiring compartment, nor above the fixture in such a manner as to entrap heat.

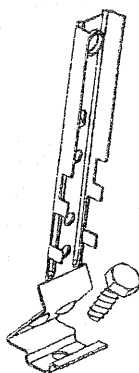
1. Electric current can cause painful shock or serious injury unless handled properly. For your safety, always remember the following:

- Turn off the power supply.
- Ground the fixture to avoid potential electrical shocks.
- Do not handle an energized fixture or energize any fixture with wet hands, when standing on a wet or damp surface, or in water.
- Double check all electrical connections to be sure they are tight and correct.

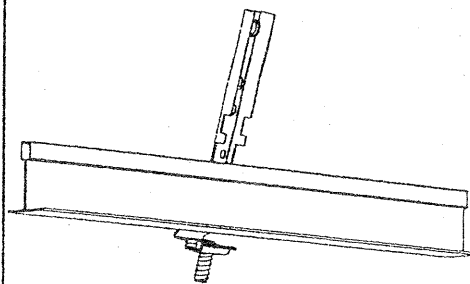
2. Specific safety information concerning lamps:

- Match wattage of fixture and lamp exactly.
- Do not remove or insert lamp when power is on.
- Do not scratch glass or subject lamp to undue pressure as either may cause lamp breakage.
- Protect operating lamp from sources of moisture.

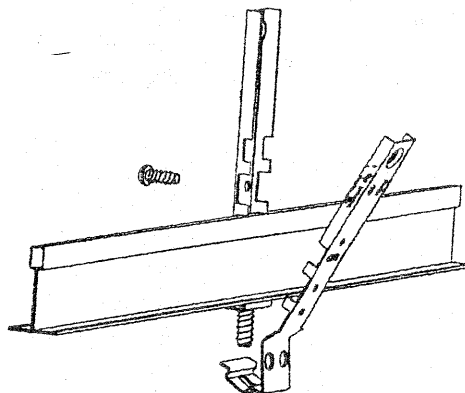
On Grid "Tee"



1. Insert 1/4-20 x 3/4 bolt into bracket A.

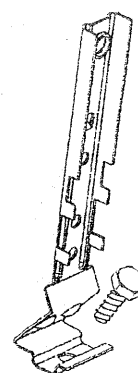


2. Hook bracket A on tee.

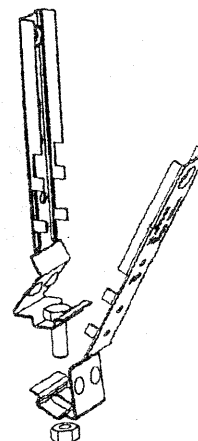


3. Hook bracket B (with slot) onto bracket A. Screw brackets together. Secure bracket assembly to structure above.

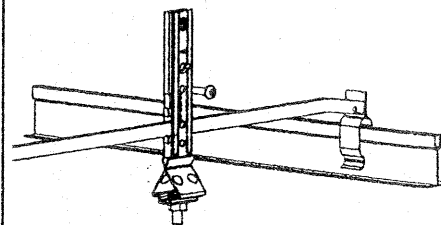
In Tile Mounting



1. Insert 1/4-20 x 3/4 bolt into bracket A. Some special ceilings may require 1" bolt (by others).

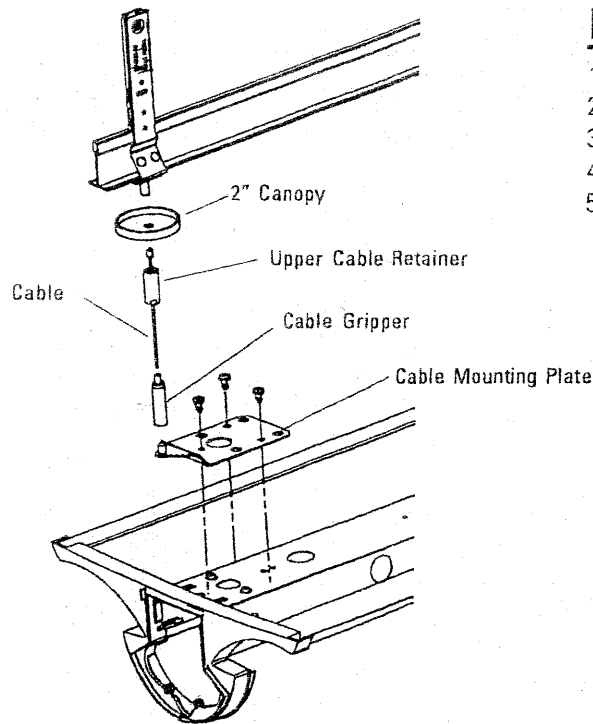


2. Hook bracket B onto bracket A. Secure with 1/4-20 hex nut (do not tighten).



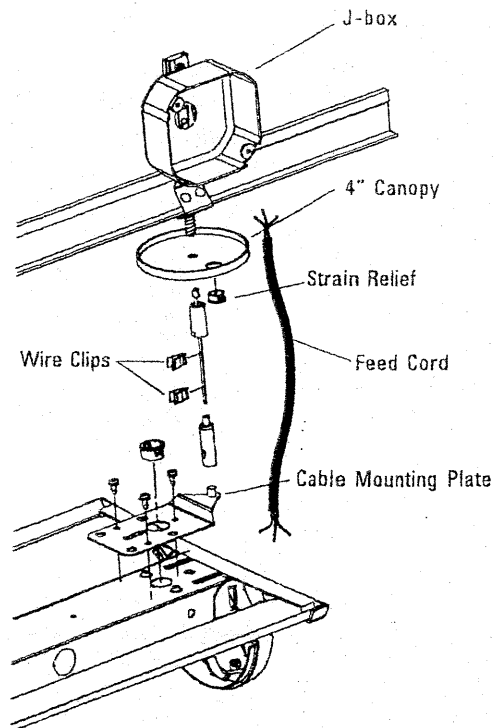
3. Attach brackets to hanger bar. Adjust bracket's position and secure with screw. Tighten 1/4-20 hex nut. Secure bracket assembly to the structure above.

AVACF30 & AVAC30 INSTALLATION



Non-Feed Kit Installation:

1. Place 2" canopy flush with ceiling tile.
2. Thread upper cable retainer onto 1/4-20 bolt.
3. Thread adjustable cable gripper onto stud of cable mounting plate.
4. Install cable mounting plate with three self-tapping screws (as shown).
5. Insert cable into top of cable gripper and level fixture.



Feed Kit Installation:

1. Attach bushing and Greenfield connector to j-box
2. Hang j-box on bracket tab and secure j-box to bracket assembly with screws.
3. Insert feed cord through Greenfield connector and into j-box. Attach strain relief.
4. Place canopy flush with ceiling tile.
5. Thread upper cable retainer onto 1/4-20 bolt.
6. Install cable mounting plate with three self-tapping screws and push strain relief into center of cable mounting plate (as shown).
7. Thread adjustable cable gripper onto stud of cable mounting plate.
8. Insert cable into top of cable gripper and level fixture.
9. Insert feed cord in hole in cable mounting plate (through knockout in top of channel).
10. Wire fixture using appropriate wire connectors and methods.