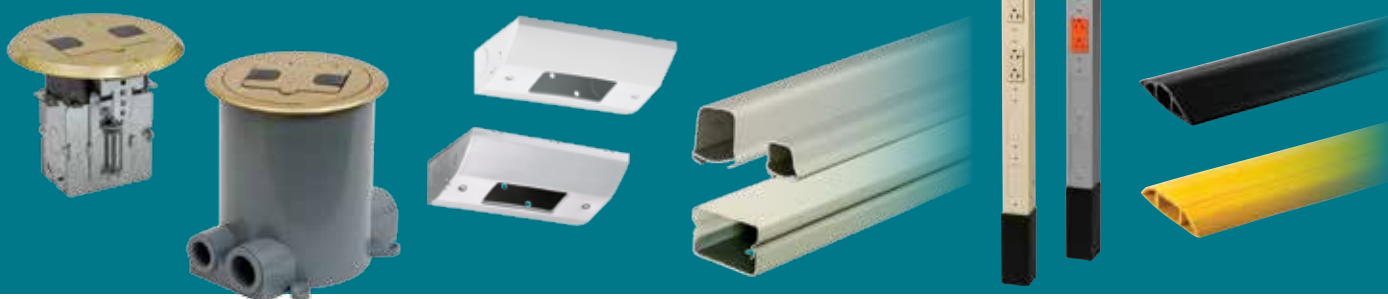




Table of Contents	Page
Floor Boxes	
Floor Boxes for Structural Wood Floors	O-2
Floor Boxes for Structural Concrete Floors	O-3
Product Dimensions	O-3
Under Cabinet/Counter Power and Low Voltage Device Distribution	
Slim Fit and GFCI Fit Boxes	O-4
Vertical or Horizontal Mount and Product Dimensions.	O-4
Metal Raceway	
HBL500, HBL700 and HBL750 Series	O-5
HBL2000 Series	O-7
Metal PlugTrak®	
15 and 20 Amp 125V	O-8
Tamper-Resistant and USB Ports	O-8
Accessories	
Painted Metal Plates	O-9
Painted Metal Combination Plates	O-9
Thermoplastic Communication Frames	O-9
Technical Information	
Wire Fill Capacity	O-10
Specifications	O-10
Aluminum Service Poles	
Aluminum Series Offering	O-11
FloorTrak® Floor Cable Covers	
FloorTrak® FT2, FT3, FT4, FT10 Series and Accessories.	O-12
Product Dimensions and Specifications.	O-12





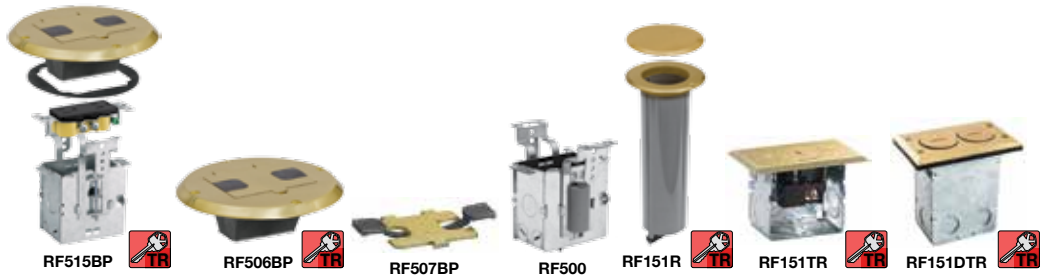
Floor Boxes for Structural Wood Floors



Wood floor boxes allow for the placement of electrical power or a combination of power and voice/data devices. Boxes easily mount into the floor and are height adjustable (up to 3/4 inch) for optimal alignment and fit.

- Recessed receptacle minimizes plug protrusion, allows furniture to be located over the plug
- Pre-assembled flange and cover
- Removable neoprene gaskets
- Optional low voltage divider
- Height accessible adjustments after the box is mounted

Floor Boxes for Wood Floors



Rating	Material	Finish	Decorator Duplex Receptacle, Floor Box Kit	Flange and Hinged Door Cover Assembly	Replacement Door Only	Adjustable Floor Box, Steel	Drop in Floor Box	Single Receptacle, Floor Box Rated	Duplex Receptacle, Display Rated
NEMA 5-15, 15A 125V 	Solid Brass	Clear Lacquer	RF515BR	RF506BR	RF507BR	—	RF151R	RF151TR	RF6500BR
	Aluminum	Stainless Paint	RF515SS	RF506SS	RF507SS	—	—	—	—
	Aluminum	Almond Paint	RF515AL	RF506AL	RF507AL	—	—	—	—
	Aluminum	Black Paint	RF515BK	RF506BK	RF507BK	—	—	—	—
	Aluminum	Chestnut Brown	RF515BN	RF506BN	RF507BN	—	—	—	—
	Solid Brass	Brass Plate	RF515BP	RF506BP	RF507BP	—	—	—	—
	Aluminum	Chrome Plate	RF515CH	RF506CH	RF507CH	—	—	—	—
	Aluminum	Copper Plate	RF515CU	RF506CU	RF507CU	—	—	—	—
	Aluminum	Nickel Plate	RF515NI	RF506NI	RF507NI	—	—	—	—
	Steel	—	—	—	—	RF500	—	—	—
	NEMA 5-20, 20A 125V 	Solid Brass	Clear Lacquer	—	—	—	—	RF201R	—

Note: See page O-3 for dimensional art.

JLOAD® Multimedia Outlet (for use with RF500 and RF400 series)



Rating	Color	JLOAD® Multimedia Outlet, Tamper-Resistant, Provides Power in a Single-Gang Box		JLOAD® Multimedia Box, Steel
		with Cat. 5e and Coaxial	with Two Open Ports	for Wall Mount Only
NEMA 5-15, 15A 125V 	Almond Black Gray Ivory Light Almond White	RJ650ALTR	RJ65ALTR	RJ600
		RJ650BKTR	RJ65BKTR	
		RJ650GYTR	RJ65GYTR	
		RJ650ITR	RJ65ITR	
		RJ650LATR	RJ65LATR	
NEMA 5-20, 20A 125V 	Almond Black Gray Ivory Light Almond White	RJ620ALTR	RJ62ALTR	RJ600
		RJ620BKTR	RJ62BKTR	
		RJ620GYTR	RJ62GYTR	
		RJ620ITR	RJ62ITR	
		RJ620LATR	RJ62LATR	
		RJ620WTR	RJ62WTR	

Note: See page R-6 for tamper-resistant description.



Floor Boxes for Structural Concrete Floors




Round non-metallic floor box offers an economical solution for electrical power or a combination of power and voice/data applications. Designed for slab-on-grade installation. Quick and easy installation is assured using a push in place leveling system.

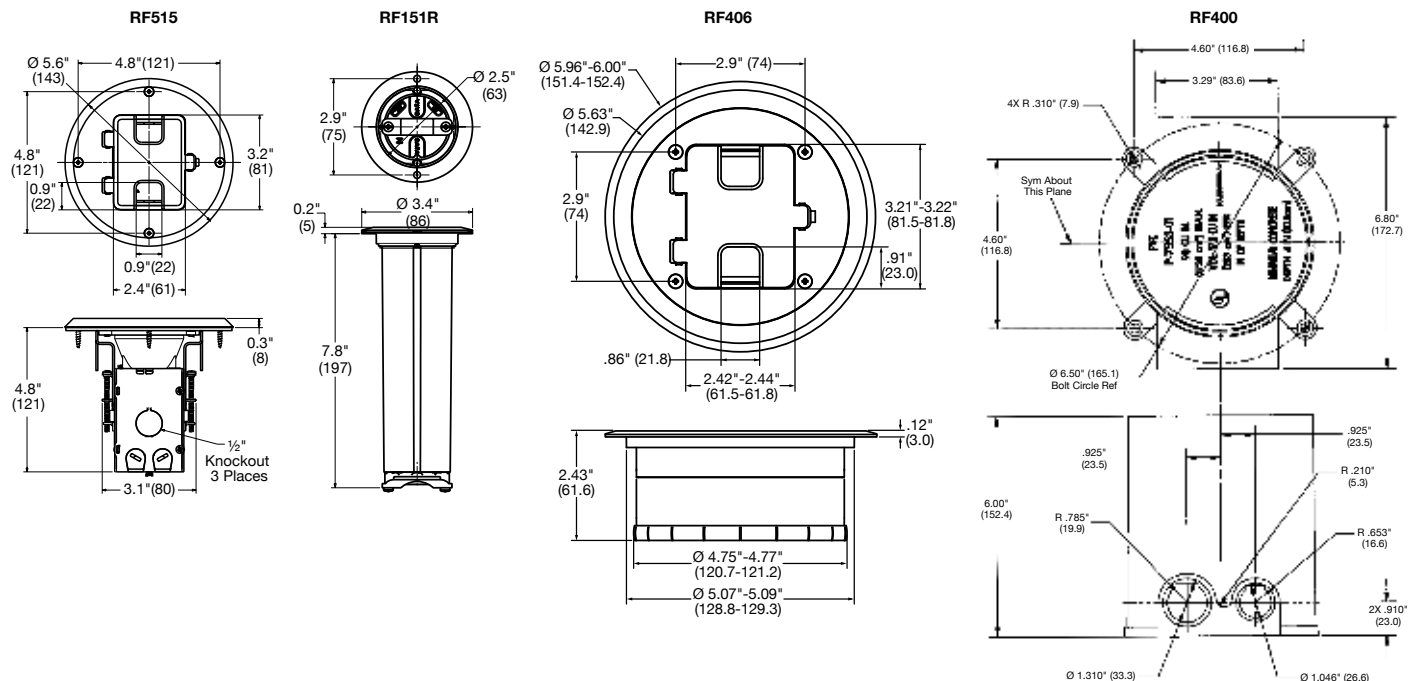
- Recessed receptacle minimizes plug protrusion, allowing furniture to be located over the plug
- Pre-assembled flange, cover and leveling ring for quick installation
- Removable neoprene gaskets allow for independent use of either side of the receptacle with the cover closed
- Parallel PVC hubs for 1 inch and 3/4 inch conduit

Floor Boxes For Concrete Floors



Rating	Material	Color/Finish	Flange and Hinged Door Cover Assembly	Tile Ring and Door Cover Assembly	Floor Box with Concrete Protective Cover	Replacement Door Only	Low Voltage Divider
NEMA 5-15, 15A 125V 	Solid Brass	Clear Lacquer	RF406BR	RF409BR	—	RF407BR	—
	Thermoplastic	Almond	RF406AL	—	—	RF407AL	—
	Thermoplastic	Black	RF406BK	—	—	RF407BK	—
	Thermoplastic	Chestnut Brown	RF406BN	—	—	RF407BN	—
	Thermoplastic	Gray	RF406GY	—	—	RF407GY	RF408
	PVC	Gray	—	—	RF400	—	—

Product Dimensions Inches (mm)





Under Cabinet/Counter Power and Low Voltage Device Distribution



Under Cabinet/Counter Boxes provide a convenient, out-of-sight way to distribute power and voice/data. These boxes comply with the NEC® for kitchen receptacles, with placement not more than 20 inches above the counter surface. They can also be placed under counter islands, not lower than 15 inches from the surface.

- Use the new JLOAD® Multimedia Outlet, specifically designed to provide power, Category 5e and coaxial. Perfect for under cabinet TV, DVD and security systems. Enables multiple service in a small area.
- Instead of compromising the decorative look of a granite backsplash or designer tiling, hide receptacles beneath cabinets and counters
- Available with nylon or metal cover
- Custom configurable, accepts any decorator style device
- Mounting hardware included

Under Cabinet/Counter Power Distribution



RU100W

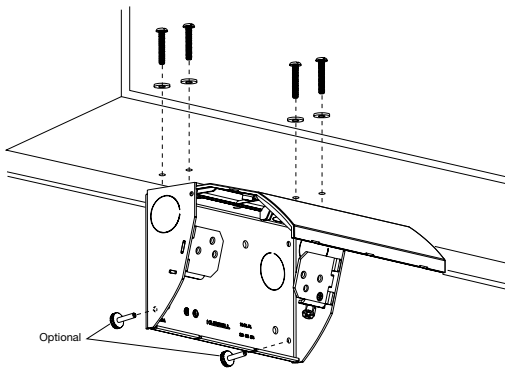


RU200SS

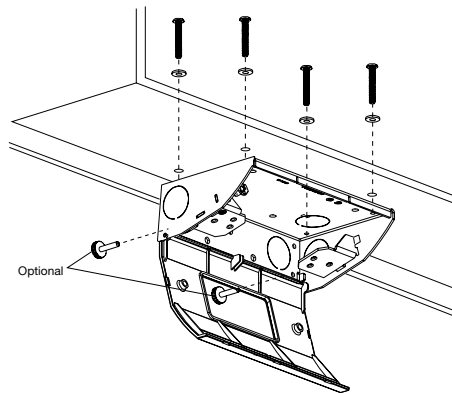
Material	Color	RU100SS RU100W RU170W*	RU200SS RU200W RU270W*
Stainless Steel	—	Slim fit box, offers the sleekest, sleekest, most stylish option for low profile, out-of-sight mounting, devices sold separately	GFCI fit box, designed for GFCI or JLOAD® accommodation where internal wiring space is needed, devices sold separately
Metal	White		
Nylon	White		

Note: *Steel box with nylon cover.

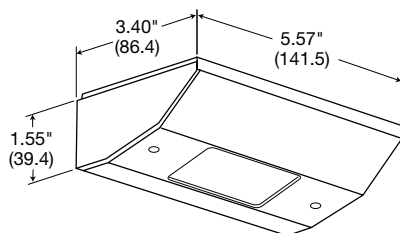
Vertical Mount



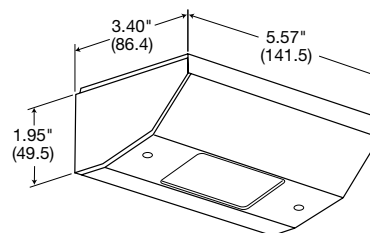
Horizontal Mount



Product Dimensions Inches (mm)



RU100W



RU200SS

NEC® is a registered trademark of the National Fire Protection Association (NFPA).

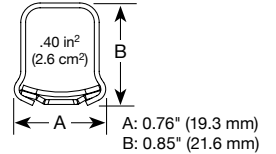
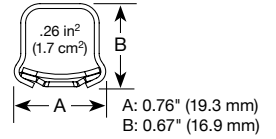
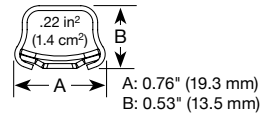


HBL500, HBL700 and HBL750 Series Metal Raceway



	HBL500	HBL700	HBL750
Color	Base and Cover, 10 Ft.		
Ivory	HBL50010IV	HBL70010IV	HBL75010IV
White	HBL50010W	HBL70010W	HBL75010W
Color	Base and Cover, 5 Ft.		
Ivory	HBL5005IV	-	HBL7505IV
White	-	-	-

Note: See page O-9 for plates and communication frames.



HBL500, HBL700 and HBL750 Series Fittings



Raceway Fittings	Color	Internal Elbow	External Elbow	90° Flat Elbow	45° Flat Elbow	Raceway Fittings	Color	Flat Elbow 1 1/2" Bend Radius
HBL500	Ivory White	HBL517IV HBL517W	HBL518IV HBL518W	HBL511IV HBL511W	HBL512IV -	HBL500, HBL700 & HBL750	Ivory White	HBL5711BRIVA -
HBL700 & HBL750	Ivory White	HBL717IVA HBL717WA	HBL718IVA HBL718WA	HBL711IVA HBL711WA	HBL712IVA -			



Raceway Fittings	Color	Internal Twisted Elbows For Double Turns at Right Angles		Internal Elbow 1 1/2" Bend Radius	External Elbow 1 1/2" Bend Radius	Tee Fitting	Tee Fitting 1 1/2" Bend Radius
HBL500, HBL700 & HBL750	Ivory White	HBL5711RHIVA HBL5711RHWA	HBL5711LHIVA HBL5711LHWA	HBL5717BRIVA -	HBL5718BRIVA -	HBL5715IVA HBL5715WA	HBL5715BRIVA -



Raceway Fittings	Color	Elbow Box Connector Right Angles to Boxes with 1/2" KO	Elbow Conduit Connector Right Angles to 1/2" Conduit	Combination 1/2" Connector No Offsetting Needed to 3 1/4" or 4" Box	Adjustable Offset Connector with Two 1/2" KOs	Entrance Connector 3/4" KO and 3/4" Chase Nipple	Corner Box, for Connecting HBL500 or HBL750 Raceway from Ceiling or Corner
HBL500, HBL700 & HBL750	Ivory White	HBL5783IVA -	HBL5784IVA -	HBL5785AIVA HBL5785AWA	HBL5786IVA HBL5786WA	HBL5786AIVA HBL5786AWA	HBL5719IVA HBL5719WA



Raceway Fittings	Color	Transition Fitting* Wiremold® to Bryant	Mounting Strap	Connection Cover	Bushing, Zinc Plated Steel	Raceway Fittings	Color	Flexible Section 18" Long	Support Clip	Coupling, Galvanized Steel
HBL500	Ivory White	HBL500TFIV -	HBL504IV HBL504W	HBL506IV HBL506W	HBL502B	HBL500, HBL700 & HBL750	Ivory White	HBL5700FIVA HBL5700FWA	HBL5703IV HBL5703W	HBL5701C
HBL700	Ivory White	HBL700TFIV -	HBL7004IV HBL7004W	HBL7006IV HBL7006W	HBL7002B					
HBL750	Ivory White	HBL750TFIV -	HBL7504IV HBL7504W	HBL7506IV HBL7506W	HBL7502B					

Note: *For transitioning from either Wiremold® V500 to Bryant HBL500 Raceway or Wiremold® V700 to Bryant HBL700 or HBL750 Raceway.

Wiremold® is a registered trademark of The Wiremold Company.



HBL500, HBL700 and HBL750 Series Metal Raceway

HBL500, HBL700 and HBL750 Series Device Boxes⁽¹⁾

	Standard Device Box, 1 1/4" Deep						
	Color	1-Gang	2-Gang	3-Gang	4-Gang	5-Gang	6-Gang
	Ivory	HBL5748IVA	HBL57482IVA	HBL57483IVA	HBL57484IVA	HBL57485IVA	HBL57486IVA
	White	HBL5748WA	HBL57482WA	HBL57483WA	-	-	-
	Shallow Device Box, 1 3/8" Deep			Deep Device Box, 2 1/4" Deep			
	Color	1-Gang	2-Gang	3-Gang	1-Gang	2-Gang	3-Gang
	Ivory	HBL5747IVA	HBL57472IVA	HBL57473IVA	HBL5744SIVA	HBL5744S2IVA	HBL5744S3IVA
	White	HBL5747WA	HBL57472WA	-	HBL5744SVA	HBL5744S2WA	-
	Extra Deep Device Box, 2 3/4" Deep			Extension Box Open Base, 1 3/8" Deep			Extension Box, 1 3/4" Deep
	Color	1-Gang	2-Gang	3-Gang	1-Gang	2-Gang	3-Gang
	Ivory	HBL5744IVA	HBL57442IVA	HBL57443IVA	HBL5751IVA	HBL57512IVA	HBL57513IVA
	White	HBL5744WA	HBL57442WA	-	HBL5751WA	-	HBL5751AIVA
							HBL5751AWA

HBL500, HBL700 and HBL750 Series Round Extension and Fixture Boxes⁽¹⁾

	Round Extension Box, Open Base			Round Fixture Box, Solid Base			Blank Cover ⁽³⁾
	Color	4 3/4" Dia.	5 1/2" Dia.	6 3/8" Dia.	4 3/4" Dia.	5 1/2" Dia.	6 3/8" Dia.
	Ivory	HBL5737IVA	HBL5737AIVA	HBL5739AIVA	HBL5738IVA	HBL5738AIVA	HBL5739IVA
	White	HBL5737WA	HBL5737AWA	-	HBL5738WA	HBL5738AWA	HBL5739WA
	Color	Fanbox, Fans Up to 50 lbs.		Round Fixture Box, for Audible Alarms		Outlet Box 3" Dia.	Blank Cover, for Use with HBL5733IV
	Ivory	HBL5738AFIVA		HBL5739AABIVA		HBL5733IVA	HBL5731IV
	White	HBL5738AFWA		HBL5739AABWA		-	-

HBL500, HBL700 and HBL750 Series Specialty Boxes⁽¹⁾

	Device Box, Low-Profile 1 1/8" Deep		Device Box, 1/2" side KOs 1 3/4" Deep		Blank Extension Box, Open Base		Utility Box, 1/2" KO
	Color				HBL5760IVA		HBL57242IVA
	Ivory	HBL5748SIVA	HBL5745IVA		-		HBL57242WA
	White	HBL5748SVA	HBL5745WA				
	Alarm Device Box, 1 3/8" Deep		Alarm Device Box, Extra Deep 2 3/4"		Distribution Box, Mounting Screw Centers of 2 3/4", 3 1/2", 4 1/8"		
	Color				HBL5735IVA		
	Ivory	HBL5752IVA	HBL5753IVA		-		
	Red	HBL5752RA	HBL5753RA				

HBL500, HBL700 and HBL750 Series Fittings

Raceway Fittings	Box Connector		Conduit Connector		Grounding Clamp, for 1/2" Conduit	Special Nipple ⁽²⁾ for 1/2" Trade Size KOs	Armored Cable Connector	Ground Clamp	EMT 1/2" Connector ⁽⁴⁾
	1/2" Male	3/4" Male	1/2" Female	3/4" Female					
	HBL5781	HBL5781A	HBL5782C	HBL5782A					
HBL500, HBL700 & HBL750				HBL5709GC	HBL5780	HBL5790B	HBL5709	HBL5791	

HBL500, HBL700 and HBL750 Series Tools⁽²⁾

Raceway Tools	Cutter		Replacement Blade		Bender		Touch-Up Pen, Ivory and White
	HBL605CUT		HBL605K		HBL600B		
	HBL700CUT		HBL700K				
HBL607CUT	HBL607K			HBLIWEP	HBLWWEPE		

Note: ⁽¹⁾ Almost devices and plates match Ivory metal raceway.

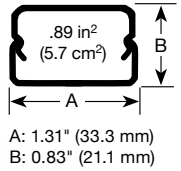
⁽²⁾ Not UL Listed or CSA Certified.

⁽³⁾ For use with HBL5735IVA, HBL5737IVA, HBL5737AIVA, HBL5739AIVA, HBL5738IVA, HBL5738AIVA and HBL5739IVA.

⁽⁴⁾ Use catalog number HBL5791 for connecting 1/2" EMT to all HBL5700 Series round and rectangular boxes having a 1/2" trade size KO.



HBL2000 Series Metal Raceway



Color	Base and Cover*, 5 Ft.	Cover*, 5 Ft.	Base, 5 Ft.
Ivory	HBL2000BCIV	HBL2000CIV	HBL2000B5IV
Gray	HBL2000BCGY	HBL2000CGY	HBL2000B5GY

Note: *Cover is .025" thick for up to 300V AC applications.

HBL2000 Series Metal Raceway Fittings⁽¹⁾

Color	90° Flat Elbow	90° Flat Elbow, 1½" Bend Radius	Tee Fitting	Tee Fitting, 1½" Bend Radius	External Elbow Coupling	External Elbow, 1½" Bend Radius	Internal Elbow, 1½" Bend Radius
Ivory	HBL2011IV	HBL2011BRIV	HBL2015IV	HBL2015BRIV	HBL2018CIV	HBL2018BRIV	HBL2017BRIV
Gray	HBL2011GY	HBL2011BRGY	HBL2015GY	HBL2015BRGY	HBL2018CGY	HBL2018BRGY	HBL2017BRGY

Color	Blank End Fitting	Entrance End Fitting, ½" KOs	Entrance End Fitting, Large Capacity, ½" and ¾" KOs	Cover Clip, to Hide Seams in Cover	Flush Plate Adaptor	Transition Fitting, Wiremold® to Bryant
Ivory	HBL2010BIV	HBL2010A2IV	HBL2010A3IV	HBL2006IV	HBL2051HIV	HBL2000TFIV
Gray	HBL2010BGY	HBL2010A2GY	HBL2010A3GY	HBL2006GY	HBL2051HGY	HBL2000TFGY

Color	Side Reducing Connector to HBL500	End Reducing Connector to HBL500	Coupling, Galvanized Steel	Internal Corner Coupling, Galvanized Steel	Wire Clip, Galvanized Steel	Support Clip, Galvanized Steel, Temporary Use Only	Ground Clamp, Galvanized Steel
Ivory	HBL2089IV	HBL2089EIV	HBL2001C	HBL2017TC	HBL2000WCA	HBL2003SC	HBL2009GC
Gray	—	—					

HBL2000 Series Device Boxes⁽¹⁾

Color	Device Box 1-Gang, 1¾" Deep	Device Box 2-Gang, 1¾" Deep
Ivory	HBL2048IV	HBL20482IV
Gray	HBL2048GY	HBL20482GY

HBL2000 Series Tools⁽²⁾

Color	Raceway Cutter	Cutter Replacement Blade Set	Touch-Up Paint Pen, Ivory and Gray
Ivory	HBL620C	HBL620BCK	HBLIWEP
Gray			HBLGWEP

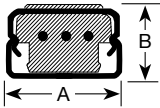
Note: ⁽¹⁾ Allmond devices and plates match ivory metal raceway.

⁽²⁾ Not UL Listed or CSA Certified.

Wiremold® is a registered trademark of The Wiremold Company.



Metal PlugTrak® 15 and 20 Amp 125V



A: 1.31" (33.3 mm)
B: 0.92" (23.4 mm)



Metal PlugTrak®

Circuits	Size	Amps	No. of Single Receptacles	No. of USB Ports	Receptacle Spacing (in.)	Catalog Number	
						Ivory	Gray
Single	3 ft.	15A	6	—	6	HBL20GB306IV	HBL20GB306GY
TR/Single	3 ft.	15A	6		6	HBL20GB306IVTR	HBL20GB306GYTR
IG/Single	3 ft.	15A	6	—	6	HBL20IG306IV	HBL20IG306GY
USB/Single	3 ft.	15A	2		2	HBL20GB312UIV	—
Single	3 ft.	20A	6	—	6	HBL24GB306IV	HBL24GB306GY
TR/Single	3 ft.	20A	6		6	HBL24GB306IVTR	HBL24GB306GYTR
Single	5 ft.	15A	10	—	6	HBL20GB506IV	HBL20GB506GY
IG/Single	5 ft.	15A	10	—	6	HBL20IG506IV	HBL20IG506GY
Single	5 ft.	15A	5	—	12	HBL20GB512IV	HBL20GB512GY
TR/Single	5 ft.	15A	5		12	HBL20GB512IVTR	HBL20GB512GYTR
Two	5 ft.	15A	5	—	12	HBL20GBA512IV	HBL20GBA512GY
IG/Single	5 ft.	15A	5	—	12	HBL20IG512IV	HBL20IG512GY
Single	5 ft.	20A	10	—	6	HBL24GB506IV	HBL24GB506GY
Single	5 ft.	20A	5	—	12	HBL24GB512IV	HBL24GB512GY
TR/Single	5 ft.	20A	5		12	HBL24GB512IVTR	HBL24GB512GYTR
Two	5 ft.	20A	5	—	12	HBL24GBA512IV	HBL24GBA512GY
Single	6 ft.	15A	12	—	6	HBL20GB606IV	HBL20GB606GY
Single	6 ft.	15A	8	—	9	HBL20GB609IV	HBL20GB609GY
Single	6 ft.	15A	6	—	12	HBL20GB612IV	HBL20GB612GY
Single	6 ft.	15A	4	—	18	HBL20GB618IV	HBL20GB618GY
IG/Single	6 ft.	15A	12	—	6	HBL20IG606IV	HBL20IG606GY
USB/Single	6 ft.	15A	4		4	HBL20GB612UIV	—
Two	6 ft.	15A	8	—	9	HBL20GBA609IV	HBL20GBA609GY
Two	6 ft.	15A	6	—	12	HBL20GBA612IV	HBL20GBA612GY
Two	6 ft.	15A	4	—	18	HBL20GBA618IV	HBL20GBA618GY
Single	6 ft.	20A	12	—	6	HBL24GB606IV	HBL24GB606GY
Single	6 ft.	20A	6	—	12	HBL24GB612IV	HBL24GB612GY
Single	6 ft.	20A	4	—	18	HBL24GB618IV	HBL24GB618GY
Two	6 ft.	20A	6	—	12	HBL24GBA612IV	HBL24GBA612GY
Two	6 ft.	20A	4	—	18	HBL24GBA618IV	HBL24GBA618GY

Metal PlugTrak® Boxes and Fittings



HBL2048IV



HBL2011IV



HBL2010A2IV



HBL2003SC



HBL2001C



HBL2017TC

Description	Catalog Number	Description	Catalog Number
1-Gang device box	HBL2048IV*	Cover clip	HBL2006IV*
2-Gang device box	HBL20482IV*	Blank end fitting	HBL2010BIV*
External elbow	HBL2018CIV*	Entrance end fitting	HBL2010A2IV*
Flat elbow	HBL2011IV*	Large entrance end fitting	HBL2010A3IV*
Tee	HBL2015IV*		

Description	Catalog Number
Supporting clip	HBL2003SC**
Coupling	HBL2001C**
Internal corner coupling	HBL2017TC**

Note: **Galvanized Steel.

Note: *Color shown is Ivory, for gray boxes and fittings, replace suffix IV with GY.

Almond devices and plates match ivory metal raceway.

Bryant Metal PlugTrak is supplied with two HBL2010B(IV) or (GY) Blank End Fittings and one HBL2001C.

Outlets match raceway color. "IG" isolated ground receptacles have an inked orange triangle.

See page R-6 for tamper-resistant description.

Metal PlugTrak® is a registered trademark of Hubbell Incorporated.



Painted Metal Plates and Thermoplastic Communication Frames



Painted Metal Plates⁽¹⁾ Inches (mm)

Color	Gang	Blank					
		Switch	Duplex	Rectangular	Box Mount	Strap Mount	Single Receptacle, 1.40" (35.6) Dia. Hole
Almond	1	SP1AL	SP8AL	PHPS1AL	SP14BAL	SP14AL	SP7AL
	2	SP2AL	SP82AL	PHPS2AL	SP24BAL	SP24AL	—
	3	SP3AL	SP83AL	PHPS3AL	SP34BAL	SP34AL	—
	4	SP4AL	—	PHPS4AL	—	—	—
	5	SP5AL	—	PHPS5AL	—	—	—
	6	SP6AL	—	PHPS6AL	—	—	—
Gray	1	SP1G	SP8G	PHPS1G	SP14BG	SP14G	SP7G
	2	SP2G	SP82G	PHPS2G	SP24BG	SP24G	—

Painted Metal Combination Plates⁽¹⁾



Color	Gang	1-Toggle, 1-Duplex		Gang	2-Toggle, 1-Duplex	
		1-Toggle, 1-Duplex	1-Toggle, 1-Decorator		2-Toggle, 1-Duplex	2-Toggle, 1-Decorator
Almond	2	SP18AL	PJS126AL	3	SP28AL	—
Gray	2	SP18G	PJS126G	3	SP28G	PJS226G

Thermoplastic Communication Frames⁽¹⁾ Inches (mm)

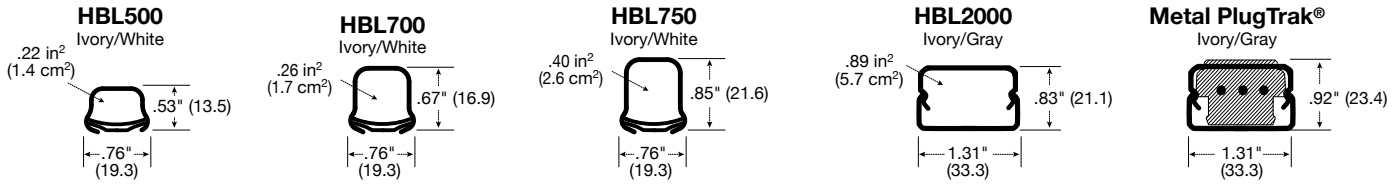


Color	Gang	Blank					
		2-Port Decorator Frame	3-Port Decorator Frame	4-Port Decorator Frame	6-Port Decorator Frame	Decorator, .41" (10.3) Dia. Hole	Decorator, Blank
Almond	1	NS612AL	NS613AL	NS614AL	NS616AL	NS621AL	NS620AL
Gray	1	NS612GY	NS613GY	NS614GY	NS616GY	—	NS620GY

Note: ⁽¹⁾ Almond devices and plates match ivory metal raceway.
 Bryant's Audio/Video Connectors allow custom creation of multimedia outlets and workstations while maintaining a decorative look.
 See Network Wiring Section Q for more information.



Metal Raceway Profiles Quick Reference Guide Inches (mm)



Metal Raceway Series Wire Fill Capacities

	Power (THHN/T90 Nylon)			Voice		Data (Copper Cables)					Data (Multimode Fiber Optic Cables)			
	#14 AWG	#12 AWG	#10 AWG	4-Pair	25-Pair	Type RG59U	Cat. 5e	Cat. 6	Cat. 6A	Cat. 6 STP	(2) or (4) Fiber Round Cable	Fiber Optic Jumpers	Fiber Optic Zip Cord	
Wire O.D. (inches)	0.111	0.13	0.164	0.19	0.41	0.242	0.21	0.25	0.35	0.29	0.19	0.118	0.12 x 0.24	
Wire Area (square in.)	0.0097	0.0133	0.0211	0.0283	0.1320	0.0460	0.0346	0.0491	0.0962	0.0660	0.0283	0.0109	0.0288	
Channel Area Square inches (cm ²)	40% Wire Fill Capacity													
HBL500	0.22 (1.4)	7	5	3	2	0	1	2	1	1	1	2	8	2
HBL700	0.26 (1.7)	10	7	4	3	0	2	3	2	1	1	3	8	3
HBL750	0.40 (2.6)	12	9	5	6	1	3	5	3	2	2	6	15	6
HBL2000	0.89 (5.7)	7	7	0	13	3	8	10	7	4	5	13	33	12

Note: Pathway (Raceway) fill shall be 40% maximum. Raceway fittings and outlets/receptacles reduce the cross section of the raceway system, thus reducing overall cable fill capacity.

Metal PlugTrak® Specifications

Receptacle configuration	NEMA 5-15R
Wire size	#12 AWG stranded copper
Receptacle face	Thermoplastic
Receptacle rating	15A 125V
Material	Steel

Codes/Standards

TIA/EIA	569B Commercial Building Standard for Telecommunications Pathways and Spaces
UL Standard	UL 5 Surface Metal Raceway and Fittings
UL File Number	E253976 / E253830 / E253833
CSA Standard Surface Metal	C22.2 No. 62 Surface Raceway Systems

Metal PlugTrak® is a registered trademark of Hubbell incorporated.

Delivery Systems

Aluminum Service Poles



Aluminum Series Offering

Bryant offers a line of gray, ivory and clear anodized aluminum service poles. These attractive and durable poles effectively distribute power and telecommunications wiring from above the ceiling to workstations below. They are offered in lengths of 10' 2", 12' 2", and 15' 2" with a variety of electrical wiring devices. Poles with three service capability have a divider to separate power and low voltage wiring.

A blank pole with knockouts is also offered which does not have devices or wiring. In addition to a standard pole, which has two 20 amp duplex receptacles, an isolated ground or surge suppression version is also available. All poles, except the blank versions, are factory wired with Bryant Decorator Receptacles. Two decorator knockouts are also provided on the same side as the power receptacles for communication outlets.

Ordering Information Feet (m)

Aluminum service poles, gray or ivory painted and clear anodized aluminum, decorator duplex receptacles and two decorator knockouts for communications, includes ceiling trim mounting plate and scuff boot.

Description	Height	Catalog Number		Clear Anodized Aluminum
		Gray	Ivory	
Three service, two 20A 125V decorator duplex receptacles, one circuit	10' 2" (3.10)	BRYPP10A	BRYPP10AI	BRYPP10AAL
	12' 2" (3.71)	BRYPP12A	BRYPP12AI	BRYPP12AAL
	15' 2" (4.62)	BRYPP15A	BRYPP15AI	BRYPP15AAL
Three service, one orange isolated ground 20A 125V decorator duplex receptacle, one 20A 125V decorator duplex receptacle, two circuits	10' 2" (3.10)	BRYPP10IGA	BRYPP10IGA I	—
Three service, two orange isolated ground 20A 125V decorator duplex receptacles, one isolated ground surge suppression 20A 125V duplex receptacle, one circuit	10' 2" (3.10)	BRYPP10SA	BRYPP10SA I	—
Three service, blank pole, divider, four decorator device knockouts	10' 2" (3.10)	BRYPP0A	BRYPP0AI	BRYPP0AAL
	12' 2" (3.71)	BRYPP012A	BRYPP012AI	BRYPP012AAL
	15' 2" (4.62)	BRYPP015A	BRYPP015AI	BRYPP015AAL
Adjustable T-bar assembly for mounting poles in the middle of ceiling tile		BRYATB	BRYATB	BRYATB
Replacement service pole trim kit (office white)		BRYPPTRIM1	BRYPPTRIM1	BRYPPTRIM1

Note: See Network Wiring Section Q for additional information on datacom products.

Specifications Inches (mm)

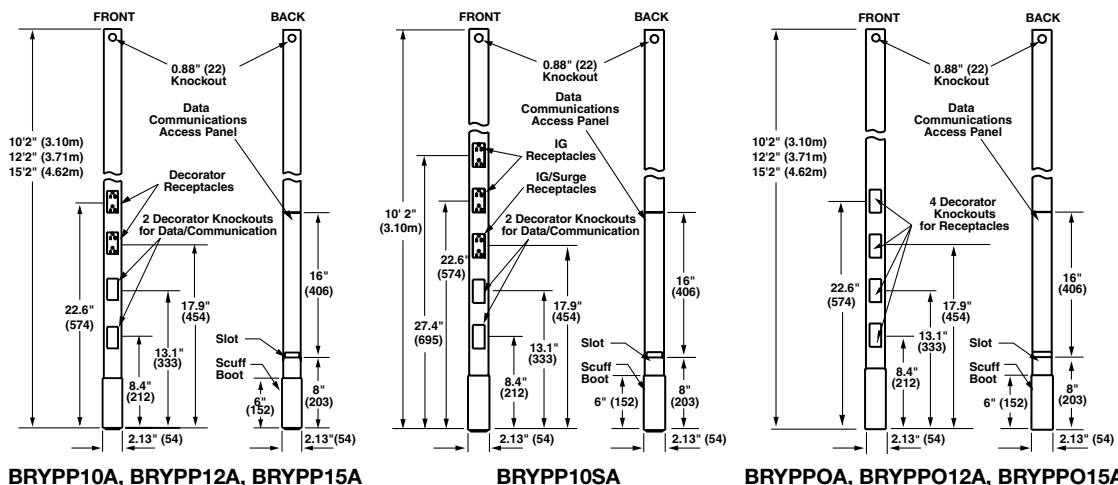
Material: Extruded aluminum, 0.05" (1.27mm) thick
 Finish: Gray, ivory or clear anodized aluminum
 Conductors: #12 AWG stranded copper

Receptacles: (see drawings below)
 Listing: UL Listed

Wiring Capacity (@40% fill)	Voice Data Channel*			Power Channel**
	Cat. 5e	Cat. 6	Cat. 6A	
BRYPP10A, BRYPP12A, BRYPP15A: BRYPP10IGA	26	11	9	41
BRYPP10SA, BRYPP10SAI	8	6	3	41
BRYPP0A, BRYPP012A, BRYPP015A (with barrier)	26	11	9	41

Note: *Pole wiring capacity (telephone fill): Cat. 5 UTP (1.96 sq. ft.).
 **#12 THHN stranded.

Product Dimensions Inches (mm)



BRYPP10AI



BRYPP10IGA



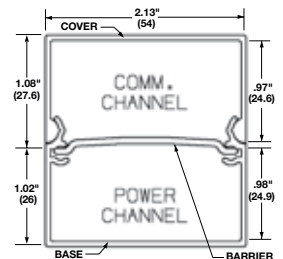
BRYPP10SAI



BRYATB



BRYPPTRIM1



Service Pole Cross Section



FloorTrak® Floor Cable Covers



FloorTrak® is a flexible, non-metallic cover for cables that run over the floor when portable cords and cables cannot be concealed or routed away from traffic patterns. FloorTrak protects, organizes and reduces trip hazards.

- Four different sizes mean it will handle cables of up to 1.25 inches (31.8mm) in diameter
- FT2, FT3 and FT4 are available in five PVC colors to blend with various decors
- FT10 is available in black and yellow colors only
- The F10 Heavy Duty FloorTrak is ideal for applications such as industrial work areas, food processing plants and abusive areas where cable management is necessary



FloorTrak® 2 Feet (m)

Color	Length	Catalog Number
Black	10.0' (3.05)	BRYFT2BK10
Brown	10.0' (3.05)	BRYFT2BR10
Beige	10.0' (3.05)	BRYFT2BG10
Gray	10.0' (3.05)	BRYFT2GY10
Yellow	10.0' (3.05)	BRYFT2Y10



FloorTrak® 3 Feet (m)

Color	Length	Catalog Number
Black	5.0' (1.52)	BRYFT3BK5
Black	25.0' (7.62)	BRYFT3BK25
Brown	5.0' (1.52)	BRYFT3BR5
Brown	25.0' (7.62)	BRYFT3BR25
Beige	5.0' (1.52)	BRYFT3BG5
Beige	25.0' (7.62)	BRYFT3BG25
Gray	5.0' (1.52)	BRYFT3GY5
Gray	25.0' (7.62)	BRYFT3GY25
Yellow	5.0' (1.52)	BRYFT3Y5
Yellow	25.0' (7.62)	BRYFT3Y25



FloorTrak® 4 Feet (m)

Color	Length	Catalog Number
Black	5.0' (1.52)	BRYFT4BK5
Black	25.0' (7.62)	BRYFT4BK25
Gray	25.0' (7.62)	BRYFT4GY25
Yellow	5.0' (1.52)	BRYFT4Y5
Yellow	25.0' (7.62)	BRYFT4Y25



FloorTrak® 10 (Heavy Duty) Feet (m)

Color	Length	Catalog Number
Black	3.0' (.914)	BRYFT10BK3
Black	5.0' (1.52)	BRYFT10BK5
Yellow	3.0' (.914)	BRYFT10Y3
Yellow	5.0' (1.52)	BRYFT10Y5

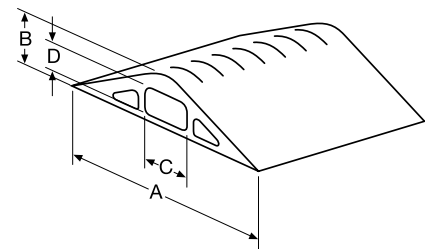


Accessories

Description	Catalog Number
1.0" wide, 75 ft. roll double-sided adhesive tape	BRYFTT1
2.0" wide, 75 ft. roll double-sided adhesive tape	BRYFTT2

Product Dimensions Inches (mm)

FloorTrak®	FT2	FT3	FT4	FT10 (Heavy Duty)
Width (A)	2.75" (69.9)	3.00" (76.2)	3.25" (82.6)	5.60" (142.2)
Height (B)	0.53" (13.5)	0.75" (19.1)	1.10" (27.9)	1.70" (43.2)
Center Hole (Cx D)	0.60" x 0.31" (15.2 x 7.9)	0.75" x 0.50" (19.1 x 12.7)	1.21" x 0.75" (30.7 x 19.1)	1.81" x 1.25" (45.98 x 31.75)



Specifications

Material	Rigid PVC
Operating temperature	0°F to +120°F (-18°C to +49°C)