



Powering Business Worldwide

Innovation you can rely on™

Architectural LED Recessed Illumination – built your way

The impact that lighting can have on a space is unlimited. Portfolio LED Recessed lighting adds warmth, highlights areas of interest, and meets a wealth of functional needs. It provides the base upon which to build your interior design, performing without calling attention to itself.



Using Light to Define and Enhance an Architectural Environment

Portfolio LED applies a balance of art and science in the design and engineering of its luminaires. It mingles features, efficacy, superior optical control and color into a quality product that provides comfort and efficiency. Portfolio LED downlights are among the highest efficiency LED luminaires available and can be utilized to create a sustainable lighted environment, and meet federal and state energy savings regulations. Broad product offering can be specified for low or high ceilings in new construction, remodel and retrofit applications. Offered with narrow, medium, wide beam and wall wash reflectors. Designed to enhance any space, with exceptional glare control.

Benefits and features of Portfolio LED

Backed by Eaton's commitment to industry-leading product development and technology innovation, Portfolio LED delivers on the promises of LED technology:

Environmental and Sustainable

By lowering the demand for electricity, power plants can generate less energy and lower the amount of carbon emissions discharged into the environment. LED is mercury free and lead free, eliminating any special handling for proper disposal.

Energy saving

Portfolio LED offers greater than 40% energy savings when compared to compact fluorescent, greater than 50% energy savings when compared to metal halide, and greater than 85% energy savings when compared to incandescent. The highly efficient reflector system combined with quality thermal management allows for exceptional luminaire efficacy resulting in significant output with low energy consumption.

Long life

LEDs are solid-state devices that do not have filaments or glass components that could break. The light source is not susceptible to vibration, thus reducing the risk of premature failure. It is designed to yield 70% lumen maintenance after 50,000 hours of operation with many thousands of hours of operation thereafter. The Portfolio LED is tested to IESNA LM-79 and LM-80 test standards for performance and reliability. The sustainability of Portfolio LED fixtures dramatically reduces maintenance and service costs over traditional sources.

Thermal Management

Proper thermal management of a LED system is critical for high efficiency and long life. Portfolio LED's heat sink features an aluminum construction that runs cooler than traditional lighting. This unique construction results in an extended lifespan, more lumens per watt, and optimal quality of light.

Quick Disconnect

Tool-less replacement of LED module. Modular design allows for quick and easy installation. UL listed for open plenum applications.

Light Control and Visual Comfort

Light emitted from a Portfolio LED downlight is made from a plurality of high brightness white LEDs, producing a quality high lumen light source with reliable color consistency. The LED array combined with a high reflectance upper white reflector and transitional defuse lens produces an even distribution with no pixilation or source brightness.

Optics and Efficiency

Efficient optical control is achieved through computer optimized designs to achieve high luminaire efficiency. Portfolio LED's patented optical system balances source brightness and performance to deliver a system with a smooth beam pattern and visual comfort.

Dimmability

Full range, continuous dimming is standard in all Portfolio LED luminaires and is available down to 1% depending on specified dimming driver. Exceptional performance when paired with Cooper Controls.



Compliances

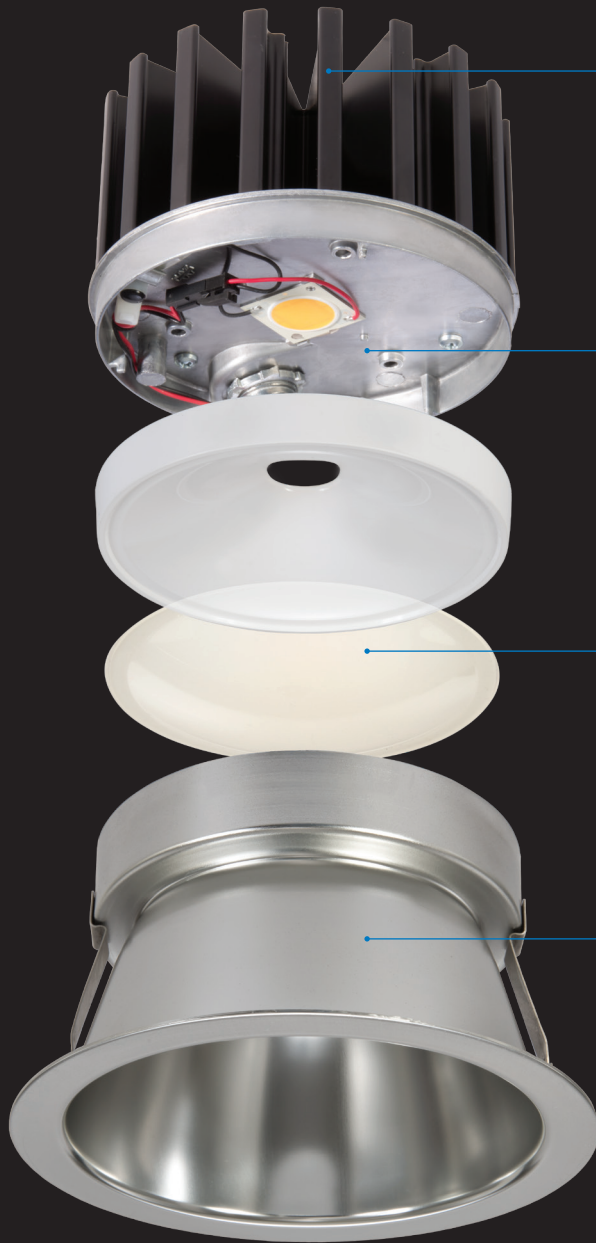
- ENERGY STAR®
- cULus listed
- RoHS compliant
- Can be used to comply with California Title 24 Non-Residential Lighting Controls requirements as a LED luminaire.

Warranty

Eaton warrants the Portfolio LED fixtures against defects in material or workmanship for a period of five years from date of original purchase.

High-Performing Optical System

Taking a total systems approach, Portfolio LED downlight components are specifically engineered for the latest in LED technology, ensuring optimal luminaire efficacy and quality performance.



Thermally Optimized

The integrated LED design provides quality thermal conductivity of the LED to the die cast thermal assembly ensuring optimal thermal management and maximum efficacy.

Superior LED

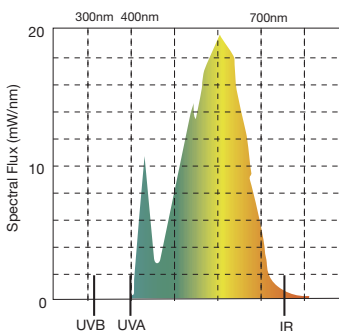
Portfolio's advanced LED system contains a plurality of high brightness white LEDs, producing a quality high lumen light source with reliable color consistency.

Precision Optics

Precisely engineered for use with LED technology, the highly transmissive transitional lens diffuses undesirable source brightness and evenly distributes light across the entire lens.

Visual Comfort

Lower reflectors are designed to provide aesthetically pleasing performance with equal cut-off to lens and lens image, and are available in all of Portfolio's standard finishes.



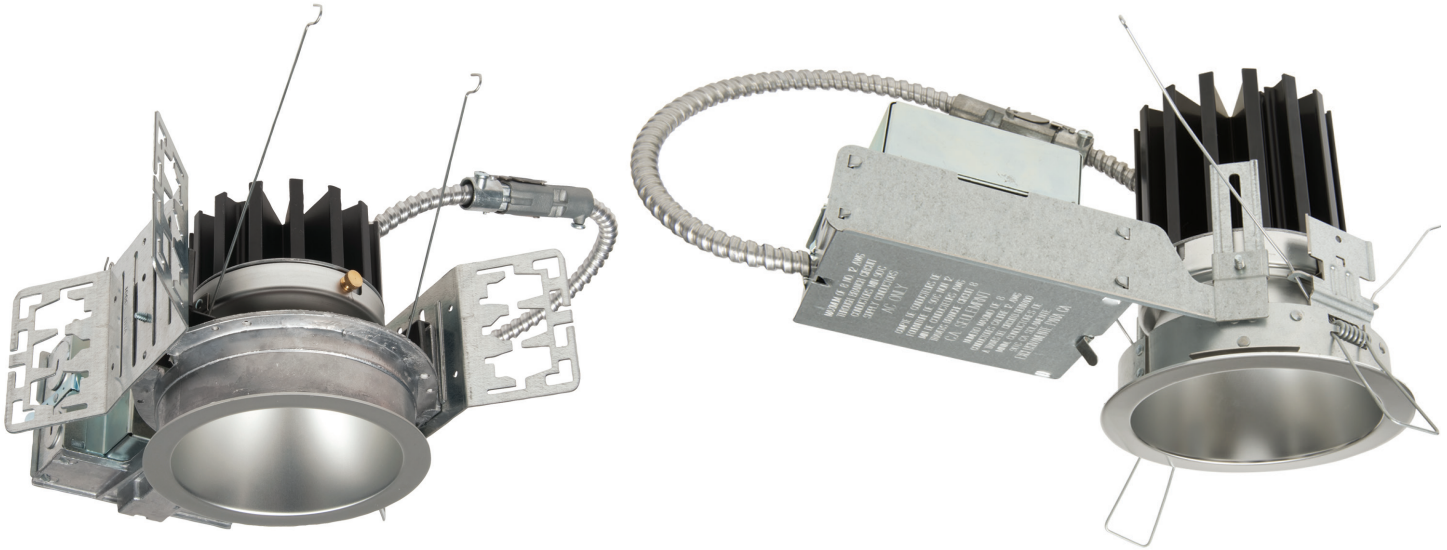
LED - Spectral Distribution and Color

Portfolio LED employs InGaN (Indium Gallium Nitride) semiconductor material devoid of uV with minimal IR wavelengths. The unique engineered plurality of diodes covered with a uniform phosphor coating provides for consistent color uniformity and tight color control even during dimming, exceeding the ANSI C78.377-2011 CCT ranges.

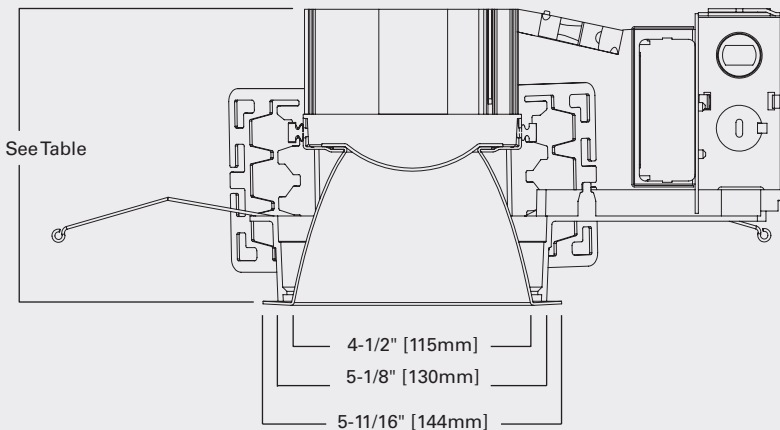
4 Inch

LED Downlight

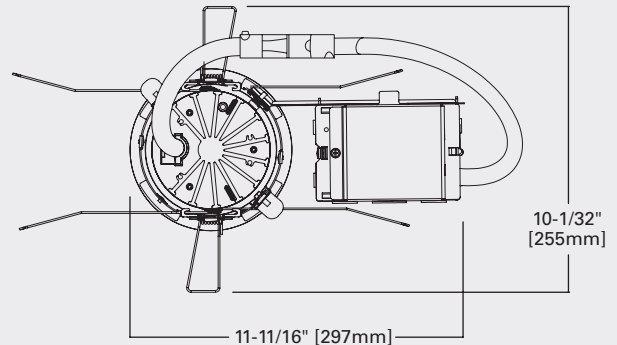
New construction or remodel Portfolio 4-inch LED downlight specially designed for LED technology features a two stage diffused optical system providing superior light control and low aperture brightness. The transitional lens design reduces LED source brightness and evenly distributes light across the entire lens producing even illumination. Lumen packages available in 900-2800 with a choice of 2700K, 3000K, 3500K and 4000K color temperatures in 80 or 90 CRI. System life is designed for 50,000 hours at 70 percent lumen maintenance. Color variation is within 3-step MacAdam ellipses ensuring color consistency from fixture to fixture. Flexible disconnect allows for tool-less replacement of LED engine. Extruded aluminum heat sink conducts heat away from the LED module for optimal performance and long life. Standard universal voltage (120-277V) dimming driver dims with 0-10V or 120V trailing edge controls making it ideal for remodel applications replacing existing incandescent downlights.



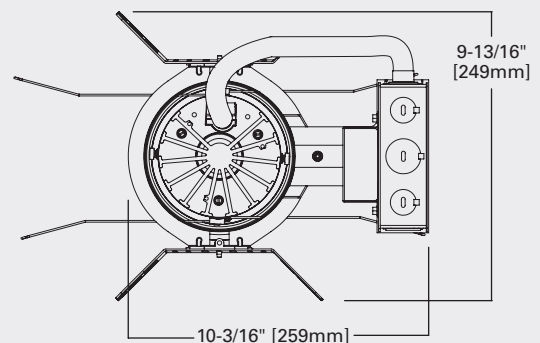
New Construction



Top View - Remodel



Top View - New Construction



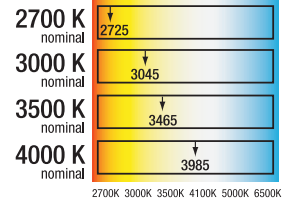
Distribution	Lumens	Height
Narrow	900/1300	5-7/16"
Medium	900/1300	5-11/16"
Wide	900/1300	5-3/16"
Narrow	1800/2800	7-7/16"
Medium	1800/2800	7-11/16"
Wide	1800/2800	7-3/16"

Features and Benefits

- Delivered lumens ranging from 900 to 2800+
- Available in 2700K, 3000K, 3500K, or 4000K
- 80 or 90 CRI
- Color variation within 3-step MacAdam ellipses
- Two-stage reflector system produces smooth beam
- Wall wash, narrow, medium and wide beam reflectors
- Standard dual dimming driver, 0-10V or trailing edge
- Optional 100%-0% Fifth Light, 0-10V, or DMX dimming drivers
- Flexible disconnect for easy LED engine replacement and installation
- Remodel/International plaster ring accommodates up to 1-inch ceiling thickness
- New construction housing features a 1-1/2-inch die-cast aluminum collar to accommodate various ceiling materials
- Extruded aluminum heat sink
- ENERGY STAR® qualified with select trims and CCT
- Downlights are cULus listed for covered wet locations
- Wall wash are cULus listed for damp locations
- Photometric testing completed in accordance with IES LM 79 standards
- L70 at 50,000 hours, projected in accordance with IES TM-21
- 5 year warranty



Refer to ENERGY STAR® Qualified Products List.
Can be used to comply with California Title 24 Non-Residential Lighting Controls requirements as a LED Luminaire



Ordering Information:

Order Housing, Power Module, Trim and Accessories Separately

Sample Number: LD4A13D010TE ERM4A13835 4LW1H

Housing	Lumens ^①	Driver	Options ^{③④}	Power Module	Lumens	CRI	Color
LD4A=4" Aperture LD4ACP=4" Aperture, Chicago Plenum LD4AI=4" Aperture, International LD4AR=4" Aperture, Remodel LD4ARCP=4" Aperture, Remodel, Chicago Plenum	9=900 Lumens 13=1300 Lumens 18=1800 Lumens 28=2800 Lumens	D010TE=120-277V 0-10V 10% Dimming or Trailing Edge 120V Dimming D5LT=Fifth Light® (DALI) Dimming 0-100% DE010=0 to 100% Dimming, 120-277V 50/60Hz, 0-10V DL3=1 to 100% Dimming, 120-277V Lutron® Hi-Lume, Ecosystem or 3 Wire DLT=1 to 100% Dimming, 120V Lutron® Hi-Lume Forward Phase Dimming DMX=DMX Dimming 0-100%	EMB0D=Bodine® Emergency Module with Remote Test Switch IEMB0D=Bodine® Emergency Module with Integral Test Switch ^{⑤⑥} EM7=7W Emergency Module with Remote Test Switch EM14=14W Emergency Module with Remote Test Switch IEM7=7W Emergency Module with Integral Test Switch ^⑤ IEM14=14W Emergency Module with Integral Test Switch ^⑤	ERN4A=4", For Narrow Beam Reflector ERM4A=4", For Medium Beam Reflector ERW4A=4", For Wide Beam Reflector	09=900 Lumens 13=1300 Lumens 18=1800 Lumens 28=2800 Lumens	8=80 9=90	27=2700 K 30=3000 K 35=3500 K 40=4000 K 27CP=2700 K, Chicago Plenum 30CP=3000 K, Chicago Plenum 35CP=3500 K, Chicago Plenum 40CP=4000 K, Chicago Plenum
		900, 1300 and 1800 lumen D010TR=120-277V 0-10V 10% Dimming or Leading Edge 120V Dimming					

Reflector	Finish	Options	Accessories
Narrow Beam 4LN0=White Polymer Trim Ring 4LN1=Self-flanged	LI=Specular Clear H=Semi-Specular Clear WMH=Warm Haze G=Specular Gold WH=Wheat WHH=Wheat Haze GP=Graphite GPH=Graphite Haze B=Specular Black W=Gloss White	Self-flanged Only WF=White Painted Flange	H347=347 to 120V Step Down Transformer, 75VA H347200=347 to 120V Step Down Transformer, 200VA HSA4=Slope Adapter for 4" Aperture Housings, Specify Slope ^⑦ TRM4P=Metal Trim Ring, White ^② TRM4MB=Metal Trim Ring, Black ^② TRR4=Trimless Trim Ring ^② LGSKT4IP66=IP66 Gasket Kit ^② HB26=C-channel Bar Hanger, 26" Long, Pair ^② HB50=C-channel Bar Hanger, 50" Long, Pair ^② RMB22=Wood Joist Bar Hanger, 22" Long, Pair ^②
Medium Beam 4LM0=White Polymer Trim Ring 4LM0E=White Polymer Trim Ring, for Integral Emergency ^④ 4LM1=Self-flanged 4LM1E=Self-flanged, for Integral Emergency ^④			
Wide Beam 4LW0=White Polymer Trim Ring 4LW1=Self-flanged			
Medium Beam Wall Wash 4LM110=Single Wall Wash, Polymer Trim Ring 4LM111=Single Wall Wash, Self-Flanged 4LM120=Double Wall Wash, Polymer Trim Ring 4LM121=Double Wall Wash, Self-flanged	4LM0 and 4LW0 Only BB=Black Baffle WB=White Baffle		
Wide Beam Wall Wash 4LW110=Single Wall Wash, Polymer Trim Ring 4LW111=Single Wall Wash, Self-flanged 4LW120=Double Wall Wash, Polymer Trim Ring 4LW121=Double Wall Wash, Self-flanged			

- Notes: ① Nominal delivered lumens will vary depending on selected CCT, driver and reflector finish.
② Order trim with polymer trim ring - Consult accessory specification sheet for ordering information and options. Not for use with wall wash.
③ Not available with Chicago Plenum.
④ For use in accessible ceiling only.
⑤ Available with select trims.
⑥ Downlight only. Not for wall wash or integral emergency.
⑦ For use with new construction downlights.
⑧ Not CSA approved.

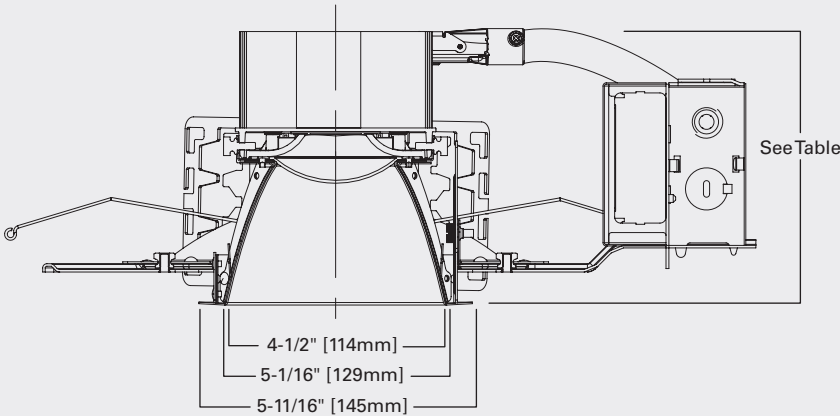
4 Inch

Square LED Downlight

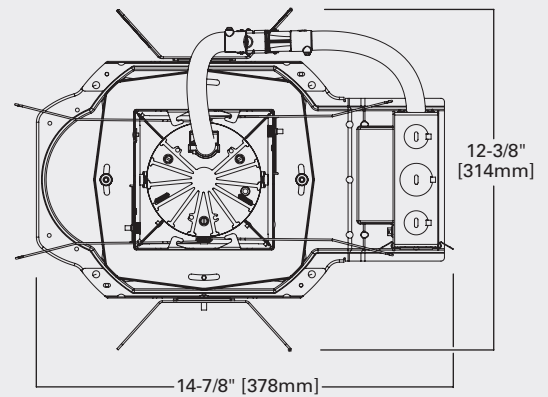
The Portfolio 4-inch LED downlight specially designed for LED technology features a two stage diffused optical system providing superior light control and low aperture brightness. The transitional lens design reduces LED source brightness and evenly distributes light across the entire lens producing even illumination. Lumen packages available in 900-2800 with a choice of 2700K, 3000K, 3500K and 4000K color temperatures in 80 or 90 CRI. System life is designed for 50,000 hours at 70 percent lumen maintenance. Color variation is within 3-step MacAdam ellipses ensuring color consistency from fixture to fixture. Flexible disconnect allows for tool-less replacement of LED engine. Extruded aluminum heat sink conducts heat away from the LED module for optimal performance and long life. Standard universal voltage (120-277V) dimming driver dims with 0-10V or 120V trailing edge controls.



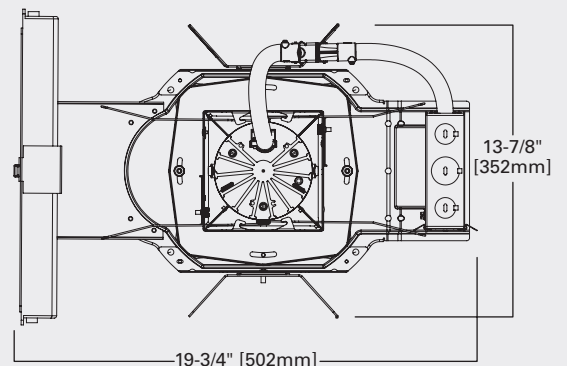
New Construction



Top View - New Construction



Top View - New Construction with Battery



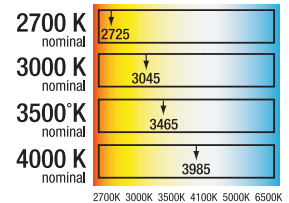
Lumens	Driver	Height
900/1300	D010TE D010TR DL3 DLT	5-9/16"
900/1300	D5LT DMX DE010	7-9/16"
1800/2000	All	7-9/16"

Features and Benefits

- Delivered lumens ranging from 900 to 2800+
- Available in 2700K, 3000K, 3500K, or 4000K
- 80 or 90 CRI
- Color variation within 3-step MacAdam ellipses
- Two-stage reflector system produces smooth beam
- Downlight or lensed wall wash reflectors
- Standard dual dimming driver, 0-10V or trailing edge
- Optional 100%-0% Fifth Light, 0-10V, or DMX dimming drivers
- Flexible disconnect for easy LED engine replacement and installation
- Aperture rotates +/- 7.5° for precise alignment
- Field-adjustable collar allows for up to 2-inch vertical adjustment
- J-box with 1/2-inch and 3/4-inch pryouts for eight 12-gauge 90°C connectors
- ENERGY STAR® qualified with select trims and CCT
- Downlights are cULus listed for covered wet locations
- Wall wash are cULus listed for wet locations
- Photometric testing completed in accordance with IES LM 79 standards
- L70 at 50,000 hours, projected in accordance with IES TM-21
- 5 year warranty



Refer to ENERGY STAR® Qualified Products List.
Can be used to comply with California Title 24 Non-Residential Lighting Controls requirements as a LED Luminaire



Ordering Information:

Order Housing, Power Module, Trim and Accessories Separately

Sample Number: LDSQ4A13D010TE ESQ4A13835 4LSQ0LI

Housing	Lumens ^①	Driver	Options ^②	Power Module	CRI	Color
LDSQ4A=4" Square Aperture LDSQ4ACP=4" Square Aperture, Chicago Plenum	9=900 Lumens 13=1300 Lumens 18=1800 Lumens 28=2800 Lumens	D010TE=120-277V 0-10V 10% Dimming or Trailing Edge 120V Dimming D5LT= Fifth Light® (DALI) Dimming 0-100% DE010=0 to 100% Dimming, 120-277V 50/60Hz, 0-10V DL3=1 to 100% Dimming, 120-277V Lutron® Hi-Lume, Ecosystem or 3 Wire DLT=1 to 100% Dimming, 120V Lutron® Hi-Lume Forward Phase Dimming DMX=DMX Dimming 0-100% 900, 1300 and 1800 Lumen D010TR=120-277V 0-10V 10% Dimming or Leading Edge 120V Dimming	EMBOD=Bodine® Emergency Module with Remote Test Switch EM7=7W Emergency Module with Remote Test Switch EM14=14W Emergency Module with Remote Test Switch	ESQ4A09=4", 900 Lumen ESQ4A13=4", 1300 Lumen ESQ4A18=4", 1800 Lumen ESQ4A28=4", 2800 Lumen	8=80 9=90	27=2700 K 30=3000 K 35=3500 K 40=4000 K 27CP=2700 K, Chicago Plenum 30CP=3000 K, Chicago Plenum 35CP=3500 K, Chicago Plenum 40CP=4000 K, Chicago Plenum

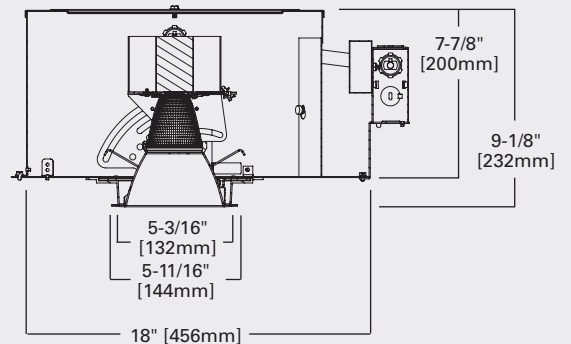
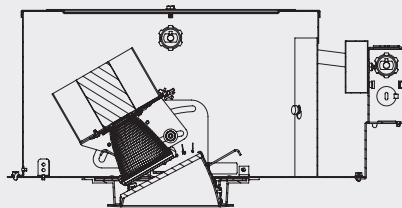
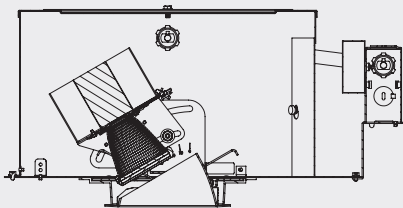
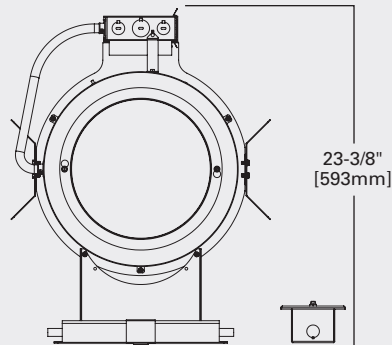
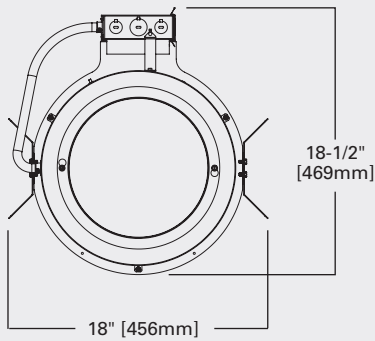
Reflector	Finish	Options	Accessories
4LSQ0=4" Square Reflector Lens Assembly, Polymer Trim Ring 4LSQ1=4" Square Reflector Lens Assembly, Self-Flanged 4LSQLWWO=4" Square Lensed Wall Wash, Polymer Trim Ring 4LSQLWW1=4" Square Lens Wall Wash Reflector, Self-flanged	LI=Specular Clear H=Semi-Specular Clear WMH=Warm Haze G=Specular Gold WH=Wheat WHH=Wheat Haze GP=Graphite GPH=Graphite Haze B=Specular Black W=Gloss White	IP66=IP66 Gasket Self-flanged Only WF=White Painted Flange	H347=347 to 120V Step Down Transformer, 75VA H347200=347 to 120V Step Down Transformer, 200VA HB26=C-channel Bar Hanger, 26" Long, Pair HB50=C-channel Bar Hanger, 50" Long, Pair RMB22=Wood Joist Bar Hanger, 22" Long, Pair 4SQPR=Plaster Lathing Ring®

Notes: ① Nominal delivered lumens will vary depending on selected CCT, driver and reflector finish.
② Not available with Chicago Plenum.
③ Order trim with polymer trim ring.

4 Inch

LED Adjustable Downlight

Portfolio 4-1/2 inch aperture adjustable accent/slope LED fixture for flat or sloped ceilings. Lockable 365° rotation and tool-less 40° tilt with center beam optics provides full output without flash back. Offered in three field interchangeable beam distributions providing a smooth beam. Available with lumen packages of 900 to 2800 with a choice of 2700K, 3000K, 3500K and 4000K color temperatures in 80 or 90 CRI. System life is designed for 50,000 hours at 70 percent lumen maintenance. Color variation is within 3-step MacAdam ellipses ensuring color consistency from fixture to fixture. Standard dimmable driver can be dimmed with 0-10V or trailing edge controls. Accessible from above or below the ceiling plane.

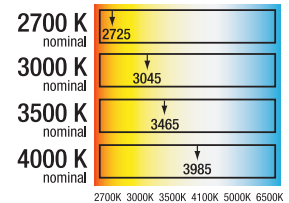


Features and Benefits

- Delivered lumens ranging from 900 to 2800+
- Available in 2700K, 3000K, 3500K, or 4000K
- Offered in 80 or 90 CRI
- Color variation within 3-step MacAdam ellipses
- ENERGY STAR® qualified. Learn more at energystar.gov
- Interchangeable 15, 25 and 35 degree upper reflector
- Included media holder accepts two lens media
- Locking 365° rotation and 40° tilt holds any aiming position
- Color variation within 3-step MacAdam ellipses
- Standard dual dimming driver, 0-10V or trailing edge
- IC rated up to 1800 lumens
- Optional 100%-0% Fifth Light (DALI), 0-10V or DMX drivers
- Angle cut, lensed wall wash, lensed and flat cut downlight reflectors
- Open trims are cULus listed for damp locations
- Lensed trims are cULus listed for covered wet locations
- Photometric testing in accordance with IES LM79 standards
- L70 at 50,000 hours, projected in accordance with IES TM-21
- 5 year warranty



Refer to ENERGY STAR® Qualified Products List.
Can be used to comply with California Title 24 Non-Residential Lighting Controls requirements as a LED Luminaire



Ordering Information:

Order Housing, Power Module, Trim and Accessories Separately

Sample Number: LDA4A09835D010TE LAR25NF 4LLWW1LI

Housing	Lumens ^①	CRI	Color	Driver	Options ^{②⑦}
LDA4A=4" Aperture adjustable/slope	09=900 Lumens (IC Rated)	8=80	27=2700 K	900, 1300, 1800 and 2800 lumen	EMBOD=7W Bodine® Emergency Module with Remote Test Switch EM7=7W Emergency Module with Remote Test Switch EM14=14W Emergency Module with Remote Test Switch
LDA4ACP=4" Aperture adjustable/slope, Chicago Plenum	13=1300 Lumens (IC Rated)	9=90	30=3000 K	D010TE=120-277V 0-10V 10% dimming or trailing edge 120V DSLT=120-277V Fifth Light DALI 0% dimming DE010=120-277V 0-10V 0% dimming DL3=120-277V , 1-100% Lutron dimming DLT=Hi-Lume Forward Phase 2-wire dimming 120V DMX=120-277V DMX 0% dimming	
	18=1800 Lumens (IC Rated)		35=3500 K	900, 1300 and 1800 lumen D010TR=120-277V 0-10V 10% dimming or leading edge 120V	
	28=2800 Lumens (Non-IC) ^⑤		40=4000 K		

Beam Forming Reflector
LAR15SP=15° Reflector
LAR25NF=25° Reflector
LAR35NF=35° Reflector

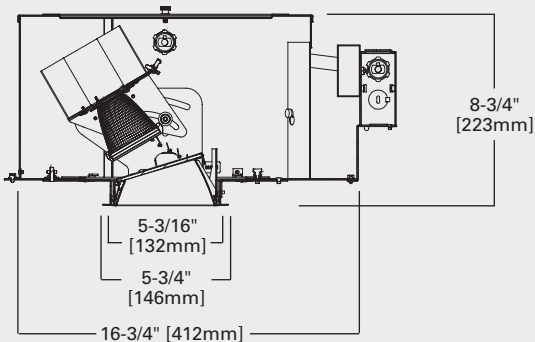
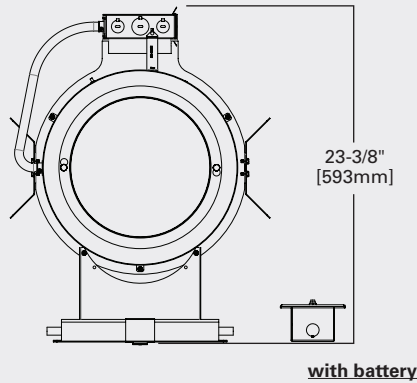
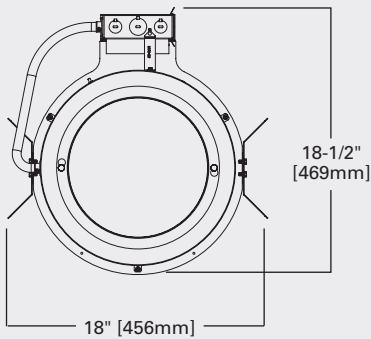
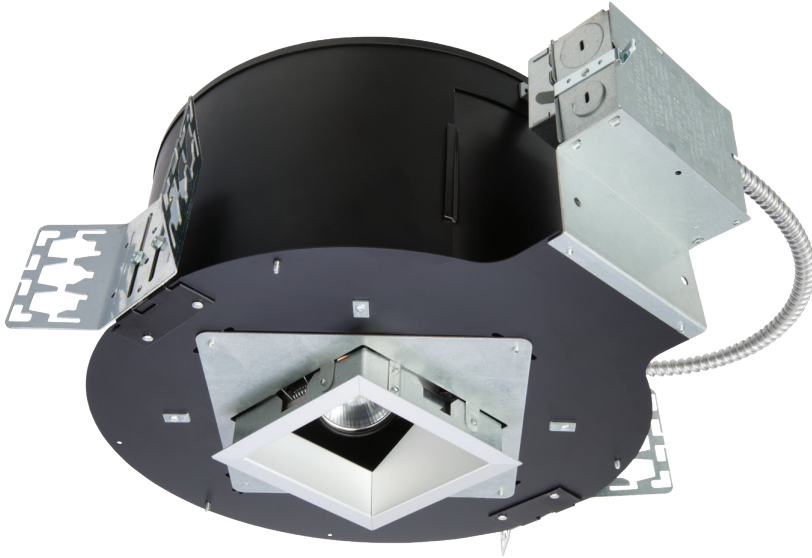
Reflector	Finish	Options	Accessories
4LA0=4" Adjustable Accent, Polymer Trim Ring 4LA1=4" Adjustable Accent, Self Flanged 4LLVW0=4" Lensed Wall Wash, Polymer Trim Ring 4LLVW1=4" Lensed Wall Wash, Self Flanged 4LAL0=4" Lensed Adjustable Accent, Polymer Trim Ring 4LAL1=4" Lensed Adjustable Accent, Self Flanged 4LFC0=Flat Cut Cone , Polymer Trim Ring 4LFC1=Flat Cut Cone , Self Flanged 4LAPIN=4" Pinhole ^④	L=Specular Clear H=Semi-Specular Clear WMH=Warm Haze G=Specular Gold WH=Wheat WHH=Wheat Haze GP=Graphite GPH=Graphite Haze B=Specular Black W=Gloss White	Self-flanged Only WF=White Painted Flange	HB26=C-channel Bar Hanger , 26" Long, Pair HB50=C-channel Bar Hanger , 50" Long, Pair RMB22=Wood Joist Bar Hanger , 22" Long, Pair H347=347 to 120V Step Down Transformer, 75VA H347200=347 to 120V Step Down Transformer, 200VA TRM4P=Metal Trim Ring , White ^⑥ TRM4MB=Metal Trim Ring , Black ^⑥ TRR4=Rimless Trim Ring ^⑥ LGSKT4IP66=IP66 Gasket Kit ^⑥ Color Filters F22-20=Red F33-20=Blue F44-20=Green F55-20=Yellow F66-20=Mercury Dichronic Filters F71-20=Peach F72-20=Amber F73-20=Green F74-20=Medium Blue F75-20=Yellow F76-20=Red F77-20=Dark Blue F78-20=Light Blue F79-20=Neutral Density F80-20=Magenta Beam-Modifying Lenses LSL20=Linear Spread Lens OSL20=Overall Spread Lens DIF-20=Diffused Lens Louvers LVR-20=Hex Cell Louver Snoot PLNC-SN-B=Snoot

- Notes: ① Nominal Lumens will vary depending on selected color, driver and reflector finish.
 ② Order trim with polymer trim ring (Consult specification sheet for color ordering information and options).
 ③ Not available with Chicago Plenum and requires above ceiling access. Not for use with insulation.
 ④ Pinhole finish standard white with black occlusus (omit finish code).
 ⑤ Required for T-24 compliance with lensed trims.
 ⑥ Product is marked spacing and must be installed with the following minimum spacing:
 Center to center of adjacent luminaires: 36"
 Center of luminaire to side of building member: 18"
 Minimum overhead clearance: 1/2"
 ⑦ Not CSA approved.

4 Inch

Square Adjustable Downlight

4-1/2" aperture adjustable accent/slope fixture for flat or sloped ceilings. Lockable 365° rotation and tool-less 40° tilt provides full output without flashback. Offered in three field interchangeable beam distributions providing a smooth beam. Available in lumen packages of 900 to 2800 with a choice of 2700K, 3000K, 3500K, and 4000K color temperature, in 80 or 90 CRI. System life is designed for 50,000 hours at 70 percent lumen maintenance. Color variation is within 3-step MacAdam ellipses ensuring color consistency from fixture to fixture. Standard dimmable driver can be dimmed with 0-10V or trailing edge controls. Accessible from above or below the ceiling plane. The square adjustable accent is the ideal companion for the Portfolio square downlights and lensed wall wash.

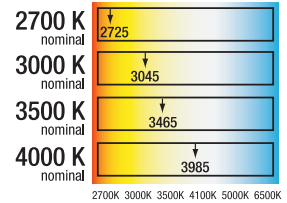


Features and Benefits

- Delivered lumens ranging from 900 to 2800+
- Available in 2700K, 3000K, 3500K, or 4000K
- Offered in 80 or 90 CRI
- Color variation within 3-step MacAdam ellipses
- Interchangeable 15, 25 and 35 degree upper reflector
- Included media holder accepts two lens media
- Locking 365° rotation and 40° tilt holds any aiming position
- Color variation within 3-step MacAdam ellipses
- Standard dual dimming driver, 0-10V or trailing edge
- IC rated up to 1800 lumens
- Optional 100%-0% Fifth Light (DALI), 0-10V or DMX drivers
- Angle cut or lensed angle cut reflectors
- Open trims are cULus listed for damp locations
- Lensed trims are cULus listed for covered wet locations
- Photometric testing in accordance with IES LM79 standards
- L70 at 50,000 hours, projected in accordance with IES TM-21
- 5 year warranty



Refer to ENERGY STAR® Qualified Products List.



Ordering Information:

Order Housing, Power Module, Trim and Accessories Separately

Sample Number: LDSQA4A009835D010TE LAR25NF 4LSQA0H

Housing	Lumens ^①	CRI	Color	Driver	Options ^③
LDSQA4A=4" Square Aperture adjustable/slope LDSQA4ACP=4" Square Aperture adjustable/slope, Chicago Plenum	09=900 Lumens (IC Rated) 13=1300 Lumens (IC Rated) 18=1800 Lumens (IC Rated) 28=2800 Lumens (Non-IC)	8=80 9=90	27=2700 K 30=3000 K 35=3500 K 40=4000 K	900, 1300, 1800 and 2800 lumen D010TE=120-277V 0-10V 10% dimming or trailingedge 120V D5LT=120-277V Fifth Light DALI 0% dimming DE010=120-277V 0-10V 0% dimming DL3=120-277V, 1-100% Lutron dimming DLT=Hi-Lume Forward Phase 2-wiredimming 120V DMX=120-277V DMX 0% dimming 900, 1300 and 1800 lumen D010TR=120-277V 0-10V 10% dimming or leading edge 120V	EMBOD=7W Bodine® Emergency Module with Remote Test Switch EM7=7W Emergency Module with Remote Test Switch [®] EM14=14W Emergency Module with Remote Test Switch [®]

Beam Forming Reflector
LAR15SP=15° Reflector LAR25NF=25° Reflector LAR35NF=35° Reflector

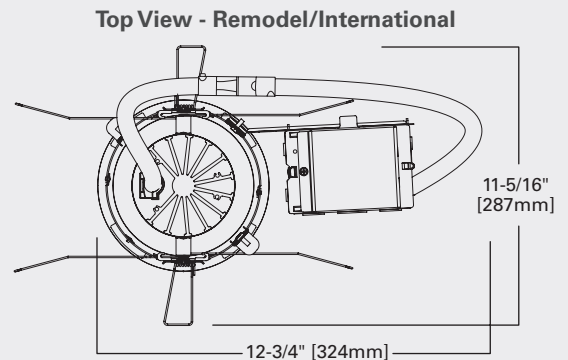
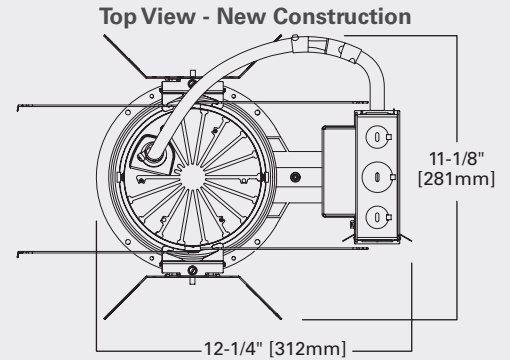
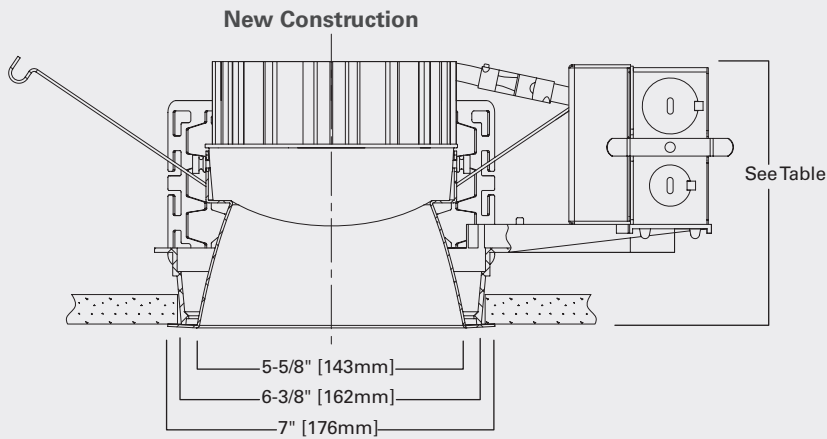
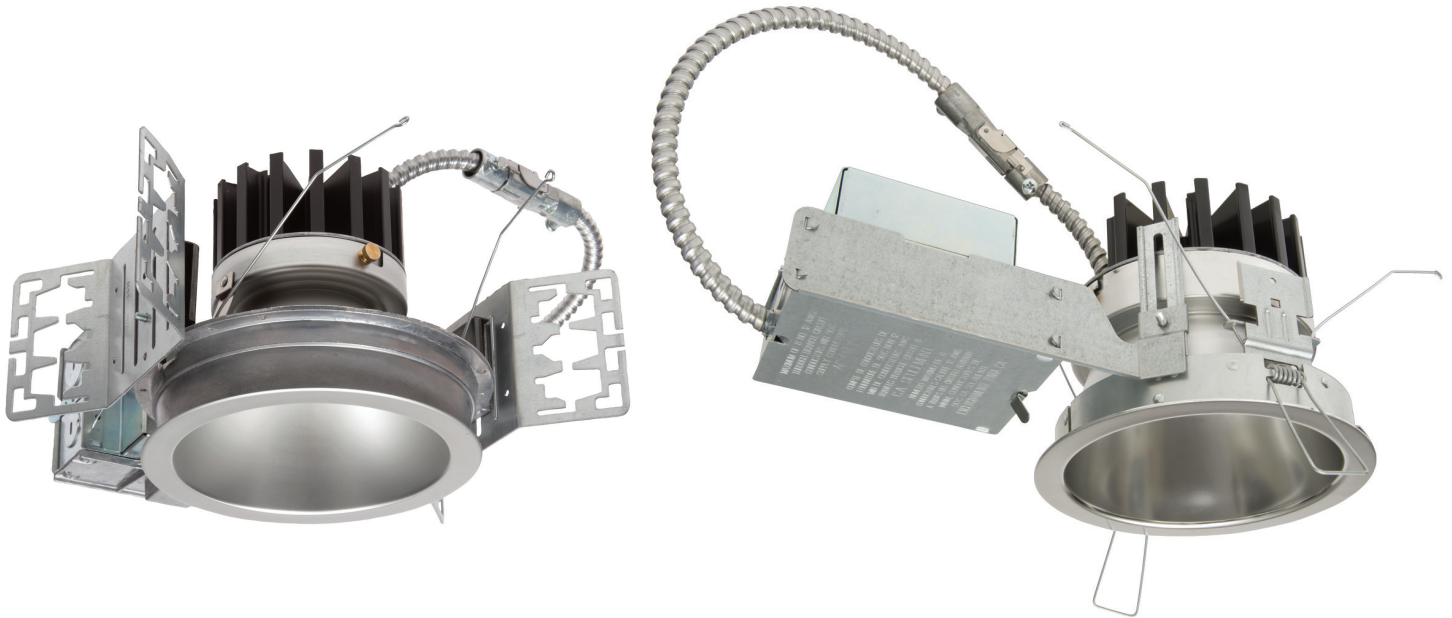
Reflector	Finish	Options	Accessories
4LSQA0=4" Adjustable Accent, Polymer Trim Ring 4LSQA1=4" Adjustable Accent, Self Flanged 4LSQAL0=4" Lensed Adjustable Accent, Polymer Trim Ring 4LSQAL1=4" Lensed Adjustable Accent, Self Flanged	H=Semi-Specular Clear WMH=Warm Haze WH=Wheat WHH=Wheat Haze GP=Graphite GPH=Graphite Haze B=Specular Black MB=Matte Black MW=Matte White	Self-flanged Only WF=White Painted Flange	HB26=C-channel Bar Hanger, 26" Long, Pair HB50=C-channel Bar Hanger, 50" Long, Pair RMB22=Wood Joist Bar Hanger, 22" Long, Pair H347=347 to 120V Step Down Transformer, 75VA H347200=347 to 120V Step Down Transformer, 200VA LGSKT4IP66=IP66 Gasket Kit[®] 4SQPR=Plaster Lathing Ring[®] Color Filters F22-20=Red F33-20=Blue F44-20=Green F55-20=Yellow F66-20=Mercury Dichronic Filters F71-20=Peach F72-20=Amber F73-20=Green F74-20=Medium Blue F75-20=Yellow F76-20=Red F77-20=Dark Blue F78-20=Light Blue F79-20=Neutral Density F80-20=Magenta Beam-Modifying Lenses LSL20=Linear Spread Lens OSL20=Overall Spread Lens DIF-20=Diffused Lens Louvers LVR-20=Hex Cell Louver Snoot PLNC-SN-B=Snoot

- Notes: ① Nominal Lumens will vary depending on selected color, driver and reflector finish.
 ② Order trim with polymer trim ring (Consult specification sheet for color ordering information and options).
 ③ Not available with Chicago Plenum and requires above ceiling access. Not for use with insulation.
 ④ Required for T-24 compliance with lensed trims.
 ⑤ Not CSA approved.

6 Inch

LED Downlight

New construction or remodel Portfolio 6-inch LED downlight specially designed for LED technology features a two stage diffused optical system providing superior light control and low aperture brightness. The transitional lens design reduces LED source brightness and evenly distributes light across the entire lens producing even illumination. Lumen packages available in 1000-3000 with a choice of 2700K, 3000K, 3500K and 4000K color temperatures in 80 or 90 CRI. System life is designed for 50,000 hours at 70 percent lumen maintenance. Color variation is within 3-step MacAdam ellipses ensuring color consistency from fixture to fixture. Flexible disconnect capability allows for tool-less replacement of LED engine. Extruded aluminum heat sink conducts heat away from the LED module for optimal performance and long life. Standard universal voltage (120-277V) dimming driver dims with 0-10V or 120V trailing edge controls making it ideal for remodel applications replacing existing incandescent downlights.



Distribution	Lumens	Height
Narrow	1000/1500	6-3/16"
Medium	1000/1500	6-9/16"
Wide	1000/1500	5-5/8"
Narrow	2000/3000	8-3/16"
Medium	2000/3000	8-9/16"
Wide	2000/3000	6-1/2"

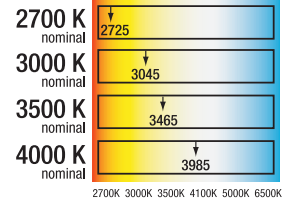
Features and Benefits

- Delivered lumens ranging from 1000 to 3000+
- Available in 2700K, 3000K, 3500K, or 4000K
- 80 or 90 CRI
- Color variation within 3-step MacAdam ellipses
- Two-stage reflector system produces smooth beam
- Wall wash, narrow, medium and wide beam reflectors
- Standard dual dimming driver, 0-10V or trailing edge
- Optional 100%00% Fifth Light, 0-10V, or DMX dimming drivers
- Flexible disconnect for easy LED engine replacement and installation
- Remodel plaster ring accommodates up to 1-inch ceiling thickness

- New construction housing features a 1-1/2-inch die-cast aluminum collar to accommodate various ceiling materials
- Extruded aluminum heat sink
- ENERGY STAR® qualified with select trims and CCT
- Downlights are cULus listed for covered wet locations
- Wall wash are cULus listed for damp locations
- Photometric testing completed in accordance with IES LM 79 standards
- L70 at 50,000 hours, projected in accordance with IES TM-21
- 5 year warranty



Refer to ENERGY STAR® Qualified Products List.
Can be used to comply with California Title 24 Non-Residential Lighting Controls requirements as a LED Luminaire



Ordering Information:

Order Housing, Power Module, Trim and Accessories Separately

SAMPLE NUMBER: LD6A15D010TE ERM6A15835 6LW1H

Housing	Lumens ^①	Driver	Options ^{②③}	Power Module	Lumens ^④	CRI	Color
LD6A=6" Aperture, New Construction LD6ACP=6" Aperture, New Construction, Chicago Plenum LD6AI=6" Aperture, International LD6AR=6" Aperture, Remodel LD6ARCP=6" Aperture, Remodel, Chicago Plenum	10=1000 Lumens 15=1500 Lumens 20=2000 Lumens 30=3000 Lumens	1000, 1500, 2000 and 3000 lumen D010TE=120-277V 0-10V 10% Dimming or Trailing Edge 120V Dimming D5LT=Fifth Light® (DALI) 0% Dimming DL3=1 to 100% Dimming, 120-277V Lutron® Hi-Lume, Ecosystem or 3-Wire DLT=1 to 100% Dimming, 120V Lutron® Hi-Lume Forward Phase Dimming DMX=DMX Dimming 0 to 100% DE010=120-277V 0-10V 0% Dimming 1000, 1500 and 2000 lumen D010TR=120-277V 0-10V 10% Dimming or Leading Edge 120V Dimming	EMBOD=Bodine® Emergency Module with Remote Test Switch IEMBOD=Bodine® Emergency Module with Integral Test Switch ^⑤ EM7=7W Emergency Module with Remote Test Switch EM14=14W Emergency Module with Remote Test Switch IEM7=7W Emergency Module with Integral Test Switch ^⑥ IEM14=14W Emergency Module with Integral Test Switch ^⑥	ERW6A=6", For Wide Beam Reflector ERM6A=6", For Medium Beam Reflector ERN6A=6", For Narrow Beam Reflector	10=1000 Lumens 15=1500 Lumens 20=2000 Lumens 30=3000 Lumens	8=80 9=90	27=2700 K 30=3000 K 35=3500 K 40=4000 K 27CP=2700 K, Chicago Plenum 30CP=3000 K, Chicago plenum 35CP=3500 K, Chicago Plenum 40CP=4000 K, Chicago Plenum

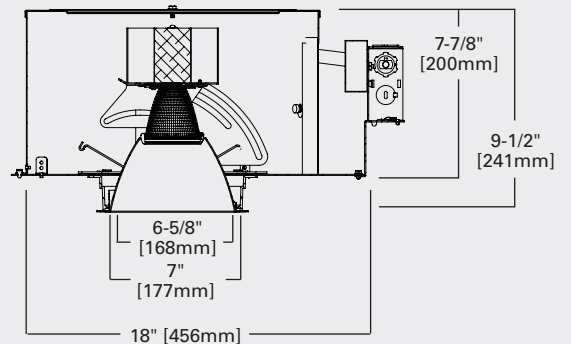
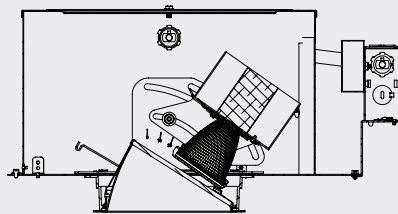
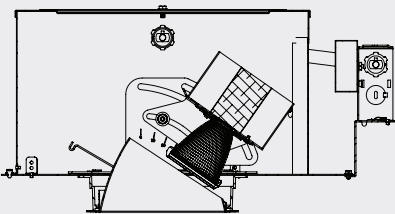
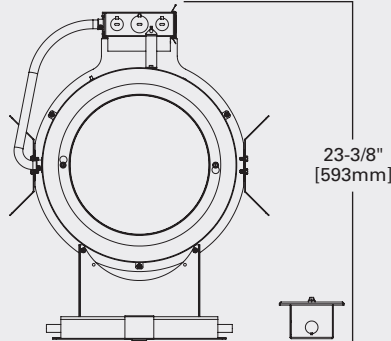
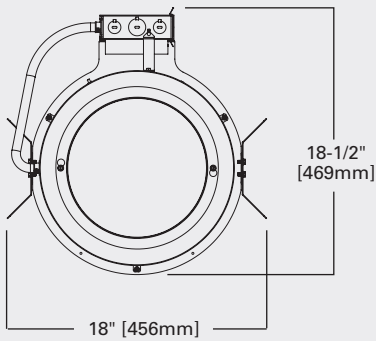
Reflector	Finish	Options	Accessories
Narrow Beam 6LN0=White Polymer Trim Ring 6LN0E=White Polymer Trim Ring, for Integral Emergency 6LN1=Self-flanged 6LN1E=Self-flanged, for Integral Emergency Medium Beam 6LM0=White Polymer Trim Ring 6LM0E=White Polymer Trim Ring, for Integral Emergency 6LM1=Self-flanged 6LM1E=Self-flanged, for Integral Emergency Wide Beam 6LW0=White Polymer Trim Ring 6LW1=Self-flanged Medium Beam Wall Wash 6LM110=Single Wall Wash, Polymer Trim Ring 6LM111=Single Wall Wash, Self-Flanged 6LM120=Double Wall Wash, Polymer Trim Ring 6LM121=Double Wall Wash, Self-flanged Wide Beam Wall Wash 6LW110=Single Wall Wash, Polymer Trim Ring 6LW111=Single Wall Wash, Self-flanged 6LW120=Double Wall Wash, Polymer Trim Ring 6LW121=Double Wall Wash, Self-flanged	LI=Specular Clear H=Specular Clear WMH=Warm Haze G=Specular Gold WH=Wheat WHH=Wheat Haze GP=Graphite GPH=Graphite Haze B=Specular Black W=Gloss White 6LM0 and 6LW0 Only BB=Black Baffle WB=White Baffle	Self-flanged Only WF=White Painted Flange	H347=347 to 120V Step Down Transformer, 75VA H347200=347 to 120V Step Down Transformer, 200VA HSA6=Slope Adapter for 6" Aperture Housings, Specify Slope ^⑧ TRM6P=Metal Trim Ring, White ^④ TRM6MB=Metal Trim Ring, Black ^④ TRR6=Rimless Trim Ring ^④ DT6=Deco trim Ring ^④ HB26=C-channel Bar Hanger, 26" Long, Pair ^⑦ HB50=C-channel Bar Hanger, 50" Long, Pair ^⑦ LGSKT6IP66=IP66 Gasket Kit ^⑦ RMB22=Wood Joist Bar Hanger, 22" Long, Pair ^⑦

- Notes: ① Nominal delivered lumens will vary depending on selected CCT, driver and reflector finish.
 ② Not available with Chicago Plenum.
 ③ Downlight only. Not for wall wash or integral emergency.
 ④ Order trim with polymer trim ring. Consult specification sheet for color ordering information and options.
 ⑤ Available with select trims.
 ⑥ Consult accessory specification sheet for ordering information and options.
 ⑦ For use with new construction downlights.
 ⑧ Not CSA approved.

6 Inch

LED Adjustable Downlight

Portfolio 6 inch aperture adjustable accent/slope LED fixture for flat or sloped ceilings. Lockable 365° rotation and tool-less 45° tilt with center beam optics provides full output without flash back. Offered in three field interchangeable beam distributions providing a smooth beam. Available with lumen packages of 1000 to 6500 with a choice of 2700K, 3000K, 3500K and 4000K color temperatures in 80 or 90 CRI. System life is designed for 50,000 hours at 70 percent lumen maintenance. Color variation is within 3-step MacAdam ellipses ensuring color consistency from fixture to fixture. Standard dimmable driver can be dimmed with 0-10V or trailing edge controls. Accessible from above or below the ceiling plane.

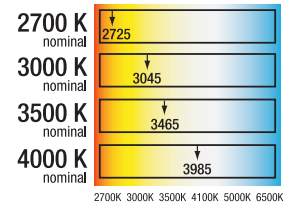


Features and Benefits

- Delivered lumens ranging from 1000 to 6500+
- Available in 2700K, 3000K, 3500K, or 4000K
- Offered in 80 or 90 CRI
- Color variation within 3-step MacAdam ellipses
- ENERGY STAR® qualified. Learn more at energystar.gov
- Interchangeable 15, 25 and 35 degree upper reflector
- Included media holder accepts two lens media
- Locking 365° rotation and 45° tilt holds any aiming position
- Color variation within 3-step MacAdam ellipses
- Standard dual dimming driver, 0-10V or trailing edge
- Optional 100%-0% Fifth Light (DALI), 0-10V or DMX drivers
- Angle cut, lensed wall wash, lensed and flat cut downlight reflectors
- Open trims are cULus listed for damp locations
- Lensed trims are cULus listed for covered wet locations
- Photometric testing in accordance with IES LM79 standards
- L70 at 50,000 hours, projected in accordance with IES TM-21
- 5 year warranty



Refer to ENERGY STAR® Qualified Products List.
Can be used to comply with California Title 24 Non-Residential Lighting Controls requirements as a LED Luminaire



Ordering Information:

Order Housing, Power Module, Trim and Accessories Separately

Sample Number: LDA6A15930D010TE LAR620NF 6LA1LI

Housing	Lumens ^①	CRI	Color	Driver	Options ^{③④}
LDA6A=6" Aperture adjustable/slope LDA6ACP=6" Aperture adjustable/slope, Chicago Plenum	10=10900 Lumens (IC Rated) 15=1500 Lumens (IC Rated) 20=2000 Lumens (IC Rated) 30=3000 Lumens (Non-IC) ^⑤ 45=4500 Lumens (Non-IC) ^⑤ 55=5500 Lumens (Non-IC) ^⑤ 65=6500 Lumens (Non-IC) ^⑤	8=80 9=90	27=2700 K 30=3000 K 35=3500 K 40=4000 K	1000, 1500, 2000, 3000, and 4500 lumen D010TE=120-277V 0-10V 10% dimming or trailing edge 120V 1000, 1500, 2000, and 3000 lumen D010TR=120-277V 0-10V 10% dimming or leading edge 120V D5LT=120-277V Fifth Light DALI 0% dimming DE010=120-277V 0-10V 0% dimming DL3=120-277V, 1-100% Lutron dimming DLT=Hi-Lume Forward Phase 2-wire dimming 120V DMX=120-277V DMX 0% dimming 5500 and 6500 lumen D010=120-277 0-10V 10% dimming	EMBOD=7W Bodine® Emergency Module with Remote Test Switch EM7=7W Emergency Module with Remote Test Switch EM14=14W Emergency Module with Remote Test Switch

Beam Forming Upper Reflector	
1000 to 3000 lumen	4500 to 6500 lumen
LARL15SP=15° Reflector	LARH20SP=20° Reflector
LARL20NF=20° Reflector	LARH30NF=30° Reflector
LARL35NF=35° Reflector	LARH40NF=40° Reflector

Reflector	Finish	Options	Accessories
6LA0=6" Adjustable Accent, Polymer Trim Ring 6LA1=6" Adjustable Accent, Self Flanged 6LLWW0=6" Lensed Wall Wash, Polymer Trim Ring 6LLWW1=6" Lensed Wall Wash, Self Flanged 6LAL0=6" Lensed Adjustable Accent, Polymer Trim Ring 6LAL1=6" Lensed Adjustable Accent, Self Flanged 6LFC0=6" Flat Cut, Polymer Trim Ring 6LFC1=6" Flat Cut, Self Flanged	LI=Specular Clear H=Semi-Specular Clear WMH=Warm Haze G=Specular Gold WH=Wheat WHH=Wheat Haze GP=Graphite GPH=Graphite Haze B=Specular Black W=Gloss White	Self-flanged Only WF=White Painted Flange	HB26=C-channel Bar Hanger, 26" Long, Pair HB50=C-channel Bar Hanger, 50" Long, Pair RMB22=Wood Joist Bar Hanger, 22" Long, Pair H347=347 to 120V Step Down Transformer, 75VA H347200=347 to 120V Step Down Transformer, 200VA TRM4P=Metal Trim Ring, White^② TRM4MB=Metal Trim Ring, Black^② TRR4=Trimless Trim Ring^② LGSKT4IP66=IP66 Gasket Kit^② Color Filters F22-20=Red F33-20=Blue F44-20=Green F55-20=Yellow F66-20=Mercury Dichronic Filters F71-20=Peach F72-20=Amber F73-20=Green F74-20=Medium Blue F75-20=Yellow F76-20=Red F77-20=Dark Blue F78-20=Light Blue F79-20=Neutral Density F80-20=Magenta Beam-Modifying Lenses LSL20=Linear Spread Lens OSL20=Overall Spread Lens DIF-20=Diffused Lens Louvers LVR-20=Hex Cell Louver

- Notes:
- ① Nominal Lumens will vary depending on selected color, driver and reflector finish.
 - ② Order trim with polymer trim ring (Consult specification sheet for color ordering information and options).
 - ③ Not available with Chicago Plenum and requires above ceiling access. Not for use with insulation.
 - ④ Required for T-24 compliance with lensed trims.
 - ⑤ Product is marked spacing and must be installed with the following minimum spacing:
Center to center of adjacent luminaires: 36"
Center of luminaire to side of building member: 18"
Minimum overhead clearance: 1/2"
 - ⑥ Not CSA approved.

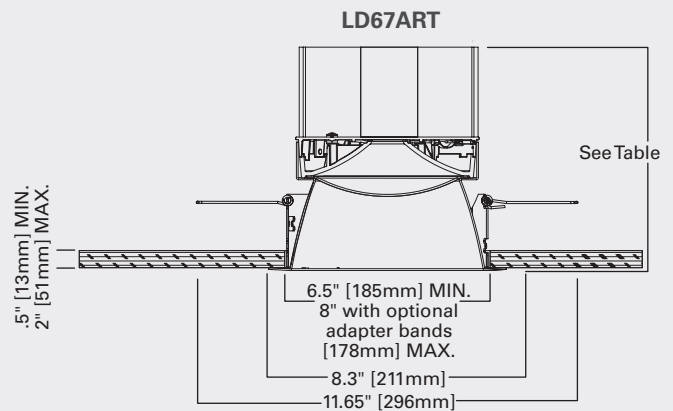
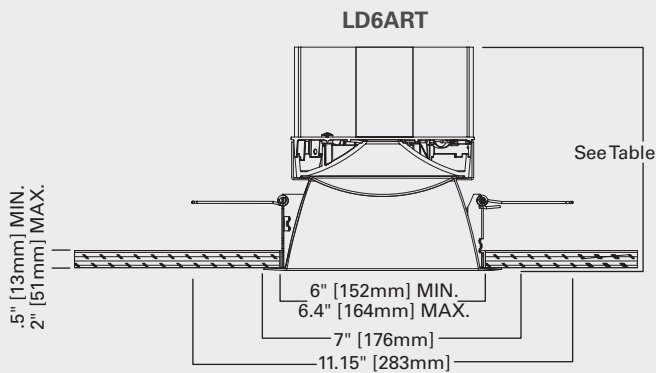
6 Inch

LED Retrofit

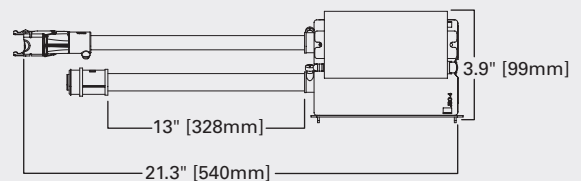
Offered in multiple outputs exceeding 3000 lumens, the retrofit kit converts existing 6-inch HID, incandescent and compact fluorescent downlights to energy-saving LED. Specially designed for LED technology this retrofit features a two stage diffused optical system providing superior light control and low aperture brightness. The transitional lens design reduces LED source brightness and evenly distributes light across the entire lens producing even illumination. Available in 2700K, 3000K, 3500K and 4000K color temperatures in 80 or 90 CRI. System life is designed for 50,000 hours at 70 percent lumen maintenance. Color variation is within 3-step MacAdam ellipses ensuring color consistency from fixture to fixture. Flexible disconnect capability allows for tool-less replacement of LED engine. Standard universal voltage (120-277V) dimming driver dims with 0-10V or 120V trailing edge controls making it ideal for retrofit applications replacing existing high energy consuming downlights.



LD6ART installs in ceiling openings from 6" to 6-7/16"



Distribution	Lumens	Height
Narrow	1000/1500	6-3/16"
Medium	1000/1500	6-9/16"
Wide	1000/1500	5-5/8"
Narrow	2000/3000	8-3/16"
Medium	2000/3000	8-9/16"
Wide	2000/3000	6-1/2"



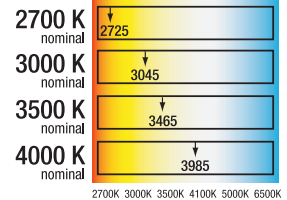
*Juno®, Lithonia Lighting®, Philips™ Lighting and their product brand names, where identified above, are tradenames or trademarks of each respective company and Eaton makes no representations on these trademarks.

Features and Benefits

- Delivered lumens ranging from 1000 to 3000+
- Available in 2700K, 3000K, 3500K, or 4000K
- 80 or 90 CRI
- Color variation within 3-step MacAdam ellipses
- Two-stage reflector system produces smooth beam
- Wall wash, narrow, medium and wide beam reflectors
- Standard dual dimming driver, 0-10V or trailing edge
- Optional Fifth Light, DMX, or 1% dimming drivers
- Flexible disconnect for easy LED engine replacement and installation
- Galvanized steel ring installs with 2 mouse trap springs for secure installation. Ring accommodates up to 2-inch ceiling thickness
- ENERGY STAR® qualified with select trims and CCT
- Downlights are cULus listed for wet locations with covered ceiling
- Wall wash are cULus listed for damp locations
- Photometric testing completed in accordance with IES LM 79 standards
- L70 at 50,000 hours, projected in accordance with IES TM-21
- 5 year warranty



Refer to ENERGY STAR® Qualified Products List.
Can be used to comply with California Title 24 Non-Residential Lighting Controls requirements as a LED Luminaire



Ordering Information:

Order Housing, Power Module, Trim and Accessories Separately

Sample Number: LD6ART15D010TE ERM6A15835 6LM0LI

Housing	Lumens ^①	Driver	Options ^{②③}	Power Module	Lumens ^①	CRI
Ceiling Openings 6-1/2" to 7" LD6ART =6" Aperture LED Downlight Retrofit LD6ARTCP =6" Aperture LED Downlight Retrofit, Chicago Plenum, includes adapter	10=1000 Lumens 15=1500 Lumens 20=2000 Lumens 30=3000 Lumens	1000, 1500, 2000 AND 3000 LUMEN D010TE =120-277V 0-10V 10% Dimming or Trailing Edge 120V Dimming D5LT =Fifth Light® (DALI) 0% Dimming DL3 =1 to 100% Dimming, 120-277V Lutron® Hi-Lume, Ecosystem or 3-Wire DLT =1 to 100% Dimming, 120V Lutron® Hi-Lume Forward Phase Dimming DMX =DMX 0% Dimming DE010 =120-277V 0-10V 0% Dimming 1000, 1500 AND 2000 Lumen D010TR =0-10V 10% Dimming of 120V Leading Edge	EMBOD =Bodine® Emergency Module with Remote Test Switch EM7 =7W Emergency Module with Remote Test Switch EM14 =14W Emergency Module with Remote Test Switch	ERW6A =6", For Wide Beam Reflector ERM6A =6", For Medium Beam Reflector ERN6A =6", For Narrow Beam Reflector	10=1000 Lumens 15=1500 Lumens 20=2000 Lumens 30=3000 Lumens	8=80 9=90
Ceiling Openings 6" to 6-7/16" LD6ART =6" Aperture LED Downlight Retrofit LD6ARTCP =6" Aperture LED Downlight Retrofit, Chicago Plenum						

Color	Reflector	Finish	Options	Accessories
27=2700 K 30=3000 K 35=3500 K 40=4000 K 27CP=2700 K, Chicago Plenum 30CP=3000 K, Chicago Plenum 35CP=3500 K, Chicago Plenum 40CP=4000 K, Chicago Plenum	Narrow Beam 6LN0=White Polymer Trim Ring 6LN1=Narrow Beam Reflector with Self-flange Medium Beam 6LM0=White Polymer Trim Ring 6LM1=White Polymer Trim Ring Wide Beam 6LW0=White Polymer Trim Ring 6LW1=Self-flange Wall Wash (LD6ART only) 6LW110=White Polymer Trim Ring 6LW111=Self-flange	LI=Specular Clear H=Semi-Specular Clear WMH=Warm Haze G=Specular Gold WH=Wheat WHH=Wheat Haze GP=Graphite GPH=Graphite Haze B=Specular Black W=Gloss White 6LM0 and 6LW0 Only BB=Black Baffle WB=White Baffle	Self-flanged Only WF=White Painted Flange	LGSKT6IP66=IP66 Gasket Kit ABR7P=Remodel Adapter Ring for 8" OD ABR8P=Remodel Adapter Ring for 9" OD

Notes: ① Nominal delivered lumens will vary depending on selected CCT, driver and reflector finish.
 ② Not available with Chicago Plenum.
 ③ Not CSA approved.

Housing Compatibility LD6ART, LD6ART*						
Manuf.	Series	Nom. Size	Housing Aperture	Housing Catalog #	Retrofit Kit	Goof Ring
Eaton	Portfolio	6	6.000	C6, MD6, H760, HD6, MLW6, LD6		
Eaton	PDS	6	6.000	PD6		
Philips™	Omega	6	6.250	OM6	LD6ART	N/A
Philips™	Lightolier Calculite	6	6.310	S6, C6, B600		
Philips™	Capri	6	6.430	CM6		
Juno®	Indy Performance Series (Elate)	6	6.563	A6, C6, M6		
Juno®		6	6.563	CH6, CV6, MX6, TC906		
Lithonia®	Commercial	6	6.750	LF6, LP6		
Philips	Lightolier Lytecaster	6	6.750	1102	LD6ART	6-1/2" Min 8" Max ABR7 (included)
Lithonia	Gotham	6	6.750	AF and LG		
Eaton	Portfolio CFL (New)	6	6.750	CD6		
Eaton	Halo	7	6.875	M700, H600, H830E		

Housing Compatibility LD6ART, LD6ART*						
Manuf.	Series	Nom. Size	Housing Aperture	Housing Catalog #	Retrofit Kit	Goof Ring
Eaton	Halo Commercial	6	7.125	PD6 (New)		
Philips™	Lightolier Calculite	7	7.500	S7 and CS7		6-1/2" Min 8" Max ABR7 (included)
Eaton	PDS	7	7.625	PD7		
Eaton	Portfolio	7	7.700	C7, CLW7, HD7, MD7		
Juno®	Indy Performance Series (Elate)	8	7.813	A8, C8, M8		
Juno		8	7.813	CH8 and CV8		
Eaton	Halo	8	7.875	H42T and H46T	LD6ART	6-1/2" Min 9" Max ABR8 (accessory)
Juno		8	8.188	MX8 and TC908		
Lithonia®	Gotham	8	8.438	AF and LG		
Lithonia®	Gotham	8	8.563	GRSF		
Philips	Omega	8	8.563	OM8		
Lithonia®	Commercial	8	8.563	LF8, LP8		

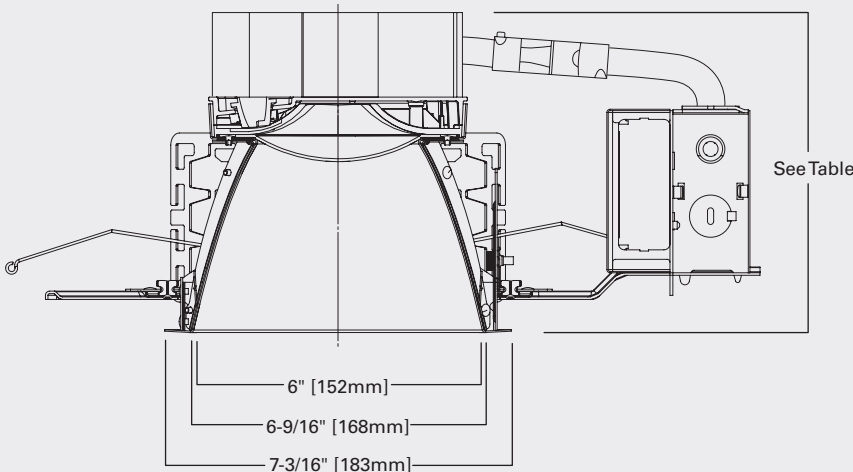
6 Inch

Square LED Downlight

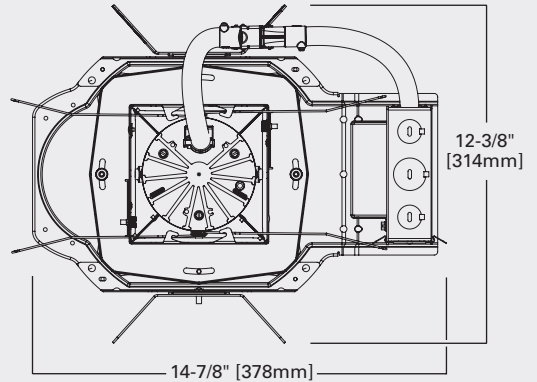
The Portfolio 6-inch LED downlight specially designed for LED technology features a two stage diffused optical system providing superior light control and low aperture brightness. The transitional lens design reduces LED source brightness and evenly distributes light across the entire lens producing even illumination. Lumen packages available in 1000-3000 with a choice of 2700K, 3000K, 3500K and 4000K color temperatures in 80 or 90 CRI. System life is designed for 50,000 hours at 70 percent lumen maintenance. Color variation is within 3-step MacAdam ellipses ensuring color consistency from fixture to fixture. Flexible disconnect allows for tool-less replacement of LED engine. Extruded aluminum heat sink conducts heat away from the LED module for optimal performance and long life. Standard universal voltage (120-277V) dimming driver dims with 0-10V or 120V trailing edge controls.



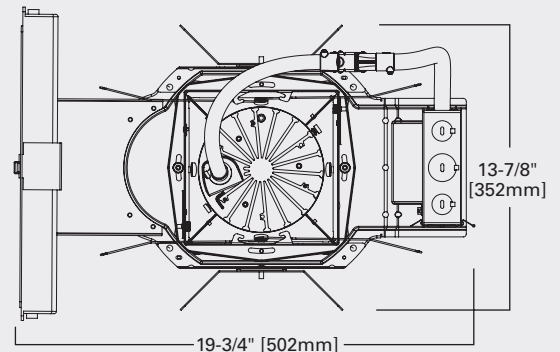
New Construction



Top View - New Construction



Top View - New Construction with Battery



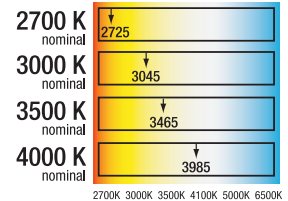
Lumens	Driver	Height
1000/1500	D010TE D010TR DL3 DLT	6-5/8"
1000/1500	D5LT DMX DE010	7-1/2"
2000/3000	All	7-1/2"

Features and Benefits

- Delivered lumens ranging from 1000 to 3000+
- Available in 2700K, 3000K, 3500K, or 4000K
- 80 or 90 CRI
- Color variation within 3-step MacAdam ellipses
- Two-stage reflector system produces smooth beam
- Downlight or lensed wall wash reflectors
- Standard dual dimming driver, 0-10V or trailing edge
- Optional 100%-0% Fifth Light, DMX, or 1% dimming drivers
- Flexible disconnect for easy LED engine replacement and installation
- Aperture rotates +/- 7.5° for precise alignment
- Field-adjustable collar allows for up to 2-inch vertical adjustment
- J-box with 1/2-inch and 3/4-inch pryouts for eight 12-gauge 90°C connectors
- ENERGY STAR® qualified with select trims and CCT
- Downlights are cULus listed for covered wet locations
- Wall wash are cULus listed for wet locations
- Photometric testing completed in accordance with IES LM 79 standards
- L70 at 50,000 hours, projected in accordance with IES TM-21
- 5 year warranty



Refer to ENERGY STAR® Qualified Products List.
Can be used to comply with California Title 24 Non-Residential Lighting Controls requirements as a LED Luminaire



Ordering Information:

Order Housing, Power Module, Trim and Accessories Separately

Sample Number: LDSQ6A15D010TE ESQ6A13835 6LSQQL1

Housing	Lumens ^①	Driver	Options ^{②③}	Power Module	CRI	Color
LDSQ6A=6" Square Aperture LDSQ6ACP=6" Square Aperture, Chicago Plenum	10=1000 Lumens 15=1500 Lumens 20=2000 Lumens 30=3000 Lumens	D010TE=120-277V 0-10V 10% Dimming or Trailing Edge 120V Dimming D5LT= Fifth Light® (DALI) Dimming 1-100% DE010=1 to 100% Dimming, 120-277V 50/60Hz, 0-10V DL3=1 to 100% Dimming, 120-277V Lutron® Hi-Lume, Ecosystem or 3 Wire DLT=1 to 100% Dimming, 120V Lutron® Hi-Lume Forward Phase Dimming DMX=DMX Dimming 1-100% 1000, 1500 and 2000 lumen D010TR=120-277V 0-10V 10% Dimming or Leading Edge 120V Dimming	EMBOD=Bodine® Emergency Module with Remote Test Switch EM7=7W Emergency Module with Remote Test Switch EM14=14W Emergency Module with Remote Test Switch	ESQ6A10=6", 1000 Lumen ESQ6A15=6", 1500 Lumen ESQ6A20=6", 2000 Lumen ESQ6A30=6", 3000 Lumen	8=80 9=90	27=2700 K 30=3000 K 35=3500 K 40=4000 K 27CP=2700 K, Chicago Plenum 30CP=3000 K, Chicago Plenum 35CP=3500 K, Chicago Plenum 40CP=4000 K, Chicago Plenum

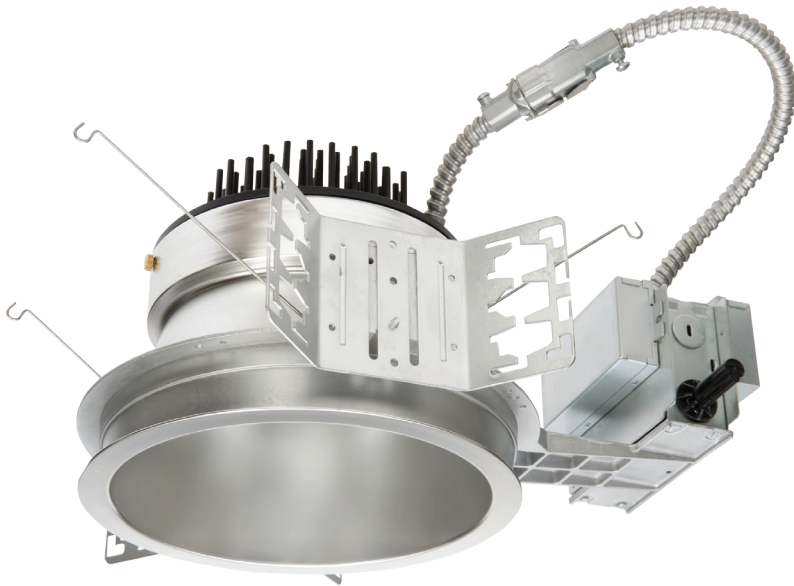
Reflector	Finish	Options	Accessories
6LSQ0=6" Square Reflector Lens Assembly, Polymer Trim Ring 6LSQ1=6" Square Reflector Lens Assembly, Self-Flanged 6LSQLWW0=6" Square Lensed Wall Wash, Polymer Trim Ring 6LSQLWW1=6" Square Lensed Wall Wash Reflector, Self-flanged	LI=Specular Clear H=Semi-Specular Clear WMH=Warm Haze G=Specular Gold WH=Wheat WHH=Wheat Haze GP=Graphite GPH=Graphite Haze B=Specular Black W=Gloss White	Self-flanged Only WF=White Painted Flange	H347=347 to 120V Step Down Transformer, 75VA H347200=347 to 120V Step Down Transformer, 200VA HB26=C-channel Bar Hanger, 26" Long, Pair HB50=C-channel Bar Hanger, 50" Long, Pair RMB22=Wood Joist Bar Hanger, 22" Long Pair IP66=IP66 Gasket

Notes: ① Nominal delivered lumens will vary depending on selected CCT, driver and reflector finish.
② Not available with Chicago Plenum.
③ Not CSA approved.

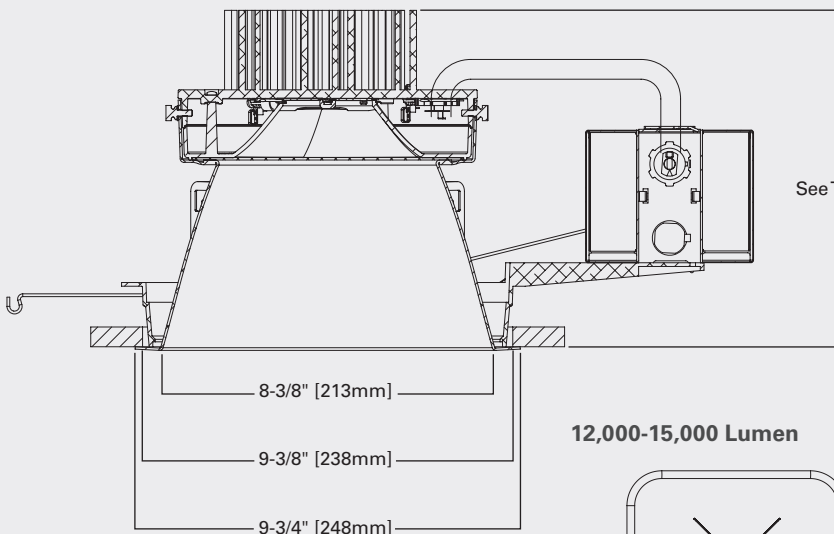
8 Inch

LED Downlight

The Portfolio 8-inch LED downlight specially designed for LED technology features a two stage diffused optical system providing superior light control and low aperture brightness. The transitional lens design reduces LED source brightness and evenly distributes light across the entire lens producing even illumination. Lumen packages available in 1000-15,000 with a choice of 2700K, 3000K, 3500K and 4000K color temperatures in 80 or 90 CRI. System life is designed for 50,000 hours at 70 percent lumen maintenance. Color variation is within 3-step MacAdam ellipses ensuring color consistency from fixture to fixture. Flexible disconnect allows for tool-less replacement of LED engine. Forged aluminum heat sink conducts heat away from the LED module for optimal performance and long life. Standard dimming driver dims with 0-10V or 120V trailing edge controls.

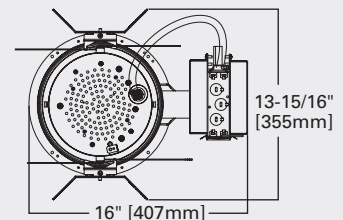


New Construction



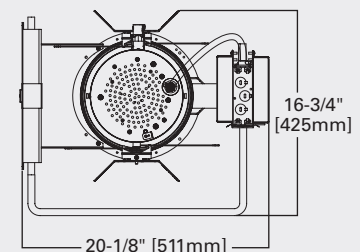
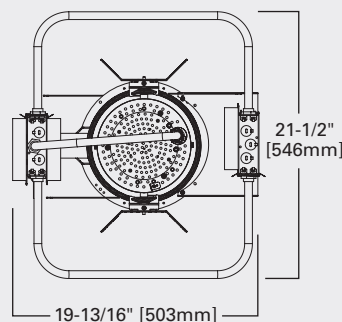
See Table

Top View - New Construction



12,000-15,000 Lumen

Top View - New Construction with Battery



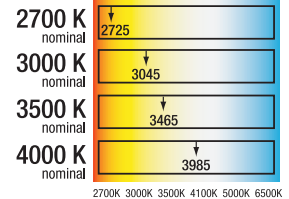
Distribution	Height
Narrow	9-1/16"
Medium	8-5/8"
Wide	7-7/8"

Features and Benefits

- Delivered lumens ranging from 1000 to 15,000
- Available in 2700K, 3000K, 3500K, or 4000K
- 80 or 90 CRI
- Color variation within 3-step MacAdam ellipses
- Two-stage reflector system produces smooth beam
- Wall wash, narrow, medium and wide beam reflectors
- Standard dual dimming driver, 0-10V or trailing edge
- Optional Fifth Light, 1% or DMX dimming drivers
- Flexible disconnect for easy LED engine replacement and installation
- Housing features a 1-1/2-inch die-cast aluminum collar accommodates various ceiling materials
- ENERGY STAR® qualified with select trims and CCT
- Downlights are cULus listed for covered wet locations
- Wall wash are cULus listed for damp locations
- Photometric testing completed in accordance with IES LM 79 standards
- L70 at 50,000 hours, projected in accordance with IES TM-21
- 5 year warranty



Refer to ENERGY STAR® Qualified Products List.
Can be used to comply with California Title 24 Non-Residential Lighting Controls requirements as a LED Luminaire



Ordering Information:

Order Housing, Power Module, Trim and Accessories Separately

Sample Number: LD8A401D5LT ER8A40835 8LW1LI

Housing	Lumens ^①	Voltage	Driver	Options ^{②③}	Power Module	CRI	Color
LD8A=8" Aperture LED Downlight LD8ACP=8" Aperture LED Downlight, Chicago Plenum	10=1000 Lumens 15=1500 Lumens 20=2000 Lumens 30=3000 Lumens 40=4000 Lumens 50=5000 Lumens 60=6000 Lumens 65=6500 Lumens 80=8000 Lumens ^④ 90=9000 Lumens ^④ 100=10,000 Lumens ^④ 120=12,000 Lumens ^④ 150=15,000 Lumens ^④	1000-2000 Lumen Blank=120-277V 3000-15,000 Lumen 1=120V 2=277V	1000 and 2000 DE010=0-10V 1% Dimming 3000, 4000, 5000, 6000, 8000, 9000 and 10,000 Lumen D010TE=0-10V 10% Dimming or Trailing Edge Dimming D010TR=0-10V 10% Dimming or Leading Edge 3000, 4000, 5000, 6000 and 8000 Lumen D5LT=Fifth Light® DALI 0% Dimming DMX=DMX Driver DE010=0-10V 0% Dimming 3000, 4000, 5000 and 6000 Lumen DL3=1% Lutron Hi-Lume 3-Wire or Ecosystem 6500 Lumen D010=0-10V 10% Dimming DE010=0-10V 1% Dimming 12,000 and 15,000 Lumen D010TE=0-10V 10% Dimming or Trailing Edge Dimming	EMBOD=Bodine® Emergency Module with Remote Test Switch IEMBOD=Bodine® Emergency Module with Integral Test Switch ^⑤ EM7=7W Emergency Module with Remote Test Switch EM14=14W Emergency Module with Remote Test Switch IEM7=7W Emergency Module with Integral Test Switch ^⑤ IEM14=14W Emergency Module with Integral Test Switch ^⑤	ER8A10=8", 1000 Lumen ER8A15=8", 1500 Lumen ER8A20=8", 2000 Lumen ER8A30=8", 3000 Lumen ER8A40=8", 4000 Lumen ER8A50=8", 5000 Lumen ER8A60=8", 6000 Lumen ER8A65=8", 6500 Lumen ER8A80=8", 8000 Lumen ^⑤ ER8A90=8", 9000 Lumen ^⑤ ER8A100=8", 10,000 Lumen ^⑤ ER8A120=8", 12,000 Lumen ^⑤ ER8A150=8", 15,000 Lumen ^⑤ ER8ACP10=8", 1000 Lumen, Chicago Plenum Switch ^⑤ ER8ACP15=8", 1500 Lumen, Chicago Plenum ER8ACP20=8", 2000 Lumen, Chicago Plenum ER8ACP30=8", 3000 Lumen, Chicago Plenum ER8ACP40=8", 4000 Lumen, Chicago Plenum ER8ACP50=8", 5000 Lumen, Chicago Plenum ER8ACP60=8", 6000 Lumen, Chicago Plenum ER8ACP65=8", 6500 Lumen, Chicago Plenum ER8ACP80=8", 8000 Lumen, Chicago Plenum ^⑤ ER8ACP90=8", 9000 Lumen, Chicago Plenum ^⑤ ER8ACP100=8", 10,000 Lumen, Chicago Plenum ^⑤ ER8ACP120=8", 12,000 Lumen, Chicago Plenum ^⑤ ER8ACP150=8", 15,000 Lumen, Chicago Plenum ^⑤	8=80 9=90	27=2700 K 30=3000 K 35=3500 K 40=4000 K

Reflector	Finish	Options	Accessories
Narrow Beam 8LN0=White Polymer Trim Ring 8LN1=Self Flange 8LN0E=White Polymer Trim Ring, for Integral Emergency 8LN1E=Self Flange, for Integral Emergency Medium Beam 8LM0=White Polymer Trim Ring 8LM1=Self Flange 8LM0E=White Polymer Trim Ring, for Integral Emergency 8LM1E=Self Flange, for Integral Emergency	Wide Beam 8LW0=White Polymer Trim Ring 8LW1=Self Flange 8LW0E=White Polymer Trim Ring, for Integral Emergency 8LW1E=Self Flange, for Integral Emergency Wall Wash 8LW10= Single Wall Wash, White Polymer Trim Ring 8LW11=Single Wall Wash, Self Flange 8LW120= Double Wall Wash, White Polymer Trim Ring 8LW121= Double Wall Wash, Self Flange	LI=Specular Clear H=Semi-Specular Clear WMH=Warm Haze G=Specular Gold WH=Wheat WHH=Wheat Haze GP=Graphite GPH=Graphite Haze B=Specular Black W=Gloss White 8LM0 Only BB=Black Baffle WB=White Baffle	Self-flanged Only WF=White Painted Flange H347=347 to 120V Step Down Transformer, 75VA H347200=347 to 120V Step Down Transformer, 200VA HB26=C- Channel Bar Hangers, 26" Long, Pair HB50=C- Channel Bar Hangers, 50" Long, Pair RMB22=Wood joist Bar Hanger, 22" Long, Pair LGSKT8IP65=IP65 Gasket Kit HSA8=Slope Adapter for 8" Aperture Housings, Specify Slope ^⑥

- Notes: ① Nominal delivered lumens will vary depending on selected CCT, driver and reflector finish.
 ② Not available with Chicago Plenum.
 ③ Available with select trims.
 ④ Consult accessory specification sheet for ordering information.
 ⑤ Product is marked spacing and must be installed with the following minimum spacing.
 Center to Center of adjacent luminaires: 36"
 Center of Luminaire to Side of Building Member: 18"
 Minimum Overhead Clearance: 9"
 ⑥ Not CSA approved.

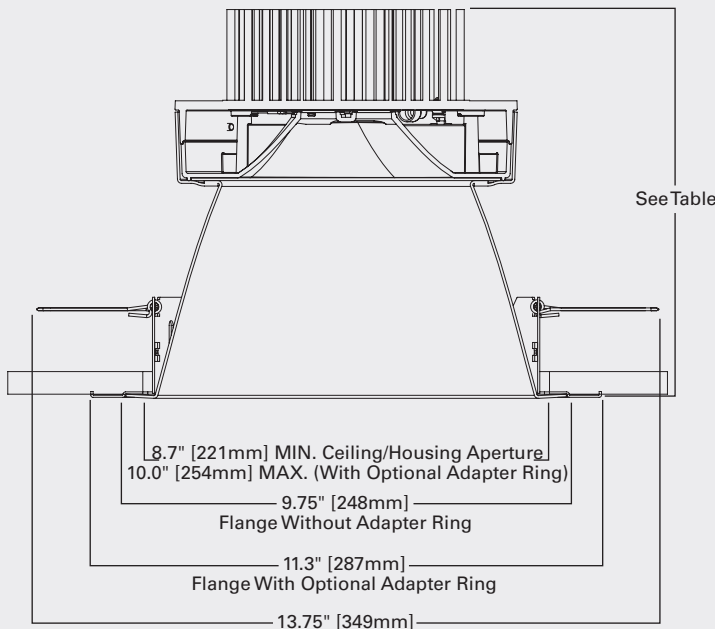
8 Inch

LED Retrofit

Offered in multiple outputs up to 15,000 lumens, the retrofit kit converts existing 8-inch HID, incandescent and compact fluorescent downlights to energy-saving LED. Specially designed for LED technology this retrofit features a two stage diffused optical system providing superior light control and low aperture brightness. The transitional lens design reduces LED source brightness and evenly distributes light across the entire lens producing even illumination. Available in 2700K, 3000K, 3500K and 4000K color temperatures in 80 or 90 CRI. System life is designed for 50,000 hours at 70 percent lumen maintenance. Color variation is within 3-step MacAdam ellipses ensuring color consistency from fixture to fixture. Flexible disconnect capability allows for tool-less replacement of LED engine. Forged aluminum heat sink conducts heat away from the LED module for optimal performance and long life. Standard dimming driver dims with 0-10V or 120V trailing edge controls making it ideal for retrofit applications replacing existing high energy consuming downlights.



Installs in ceiling openings from 8.7" to 10" with optional adapter ring



Housing Compatibility LD8ART*

Manufr.	Series	Nom. Size	Housing Aperture	Housing Catalog #	Oversize Trim Ring	Retrofit Kit	Adaptor Ring
Eaton	Portfolio	8	8.730	C8			
Phillips	Lightolier Calculite	8	8.750	S8			
Phillips	Capri	8	8.875	CM8	8.73" MIN 9" MAX	LD8ART	None
Eaton	PDS	8	8.875	PD8			
Juno		8	8.938	C9H			
Juno	Indy Performance Series (Elate)	9	9.000	C9 and M9			
Phillips	Capri	10	9.625	CM10			
Phillips	Omega	10	9.813	OM10 and S10			
Juno	Indy Performance Series (Elate)	10	9.875	M10	8.73" MIN 10.3" MAX	LD8ART	ABR10 (accessory)
Eaton	Portfolio	9	10.000	C9			
Lithonia	Gotham	10	10.125	GRSF			
Lithonia	Gotham	10	10.125	AF, LGF, LGH, AH, A			
Lithonia	Gotham	10	10.125	GRSH			

Distribution	Height
Narrow	9-1/16"
Medium	8-5/8"
Wide	7-7/8"

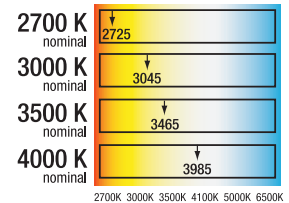
*Juno®, Lithonia Lighting®, Philips™ Lighting and their product brand names, where identified above, are tradenames or trademarks of each respective company and Cooper Lighting by Eaton makes no representations on these trademarks.

Features and Benefits

- Delivered lumens ranging from 1000 to 15,000
- Color variation within 3-step MacAdam ellipses
- Available in 2700K, 3000K, 3500K, or 4000K
- 80 or 90 CRI
- Two-stage reflector system produces smooth beam
- Wall wash, narrow, medium and wide beam reflectors
- Lumen maintenance of L70 at 50,000 hours
- Standard dual dimming driver, 0-10V or trailing edge
- Optional 100%-0% Fifth Light, 0-10V, or DMX dimming drivers
- Flexible disconnect for easy LED engine replacement and installation
- Galvanized steel ring installs with 2 mouse trap springs for secure installation. Ring accommodates up to 2-inch ceiling thickness.
- 5 year warranty
- ENERGY STAR® qualified with select trims and CCT
- Downlights are cULus listed for covered wet locations
- Wall wash are cULus listed for damp locations
- Photometric testing completed in accordance with IES LM 79 standards
- L70 at 50,000 hours, projected in accordance with IES TM-21



Refer to ENERGY STAR® Qualified Products List.
Can be used to comply with California Title 24 Non-Residential Lighting Controls requirements as a LED Luminaire



Ordering Information:

Order Housing, Power Module, Trim and Accessories Separately

Sample Number: LD8ART501D010TE ER8A50835 8LM0LI

Housing	Lumens ^①	Voltage	Driver	Options ^{②③}	Power Module	CRI	Color
LD8ART =8" Aperture LED Downlight Retrofit LD8ARTCP =8" Aperture LED Downlight Retrofit, Chicago Plenum	10=1000 Lumens 15=1500 Lumens 20=2000 Lumens 30=3000 Lumens 40=4000 Lumens 50=5000 Lumens 60=6000 Lumens 65=6500 Lumens 80=8000 Lumens ^④ 90=9000 Lumens ^④ 100=10,000 Lumens ^④ 120=12,000 Lumens ^④ 150=15,000 Lumens ^④	1000-2000 Lumen Blank=120-277V 3000-15,000 Lumen 1=120V 2=277V	1000 and 2000 DE010=0-10V 1% Dimming 3000, 4000, 5000, 6000, 8000, 9000 and 10,000 Lumen D010TE=0-10V 10% Dimming or Trailing Edge Dimming D010TR=0-10V 10% Dimming or Leading Edge 3000, 4000, 5000, 6000 and 8000 Lumen D5LT=Fifth Light® DALI 0% Dimming DMX=DMX Driver DE010=0-10V 0% Dimming 3000, 4000, 5000 and 6000 Lumen DL3=1% Lutron Hi-Lume 3-Wire or Ecosystem 6500 Lumen D010=0-10V 10% Dimming DE010=0-10V 1% Dimming 12,000 and 15,000 Lumen D010TE=0-10V 10% Dimming or Trailing Edge Dimming	EMBOD =Bodine® Emergency Module with Remote Test Switch EM7 =7W Emergency Module with Remote Test Switch EM14 =14W Emergency Module with Remote Test Switch	ER8A10=8", 1000 Lumen ER8A15=8", 1500 Lumen ER8A20=8", 2000 Lumen ER8A30=8", 3000 Lumen ER8A40=8", 4000 Lumen ER8A50=8", 5000 Lumen ER8A60=8", 6000 Lumen ER8A65=8", 6500 Lumen ER8A80=8", 8000 Lumen ^④ ER8A90=8", 9000 Lumen ^④ ER8A100=8", 10,000 Lumen ^④ ER8A120=8", 12,000 Lumen ^④ ER8A150=8", 15,000 Lumen ^④ ER8ACP10=8", 1000 Lumen, Chicago Plenum ER8ACP15=8", 1500 Lumen, Chicago Plenum ER8ACP20=8", 2000 Lumen, Chicago Plenum ER8ACP30=8", 3000 Lumen, Chicago Plenum ER8ACP40=8", 4000 Lumen, Chicago Plenum ER8ACP50=8", 5000 Lumen, Chicago Plenum ER8ACP60=8", 6000 Lumen, Chicago Plenum ER8ACP65=8", 6500 Lumen, Chicago Plenum ER8ACP80=8", 8000 Lumen, Chicago Plenum ^④ ER8ACP90=8", 9000 Lumen, Chicago Plenum ^④ ER8ACP100=8", 10,000 Lumen, Chicago Plenum ^④ ER8ACP120=8", 12,000 Lumen, Chicago Plenum ^④ ER8ACP150=8", 15,000 Lumen, Chicago Plenum ^④	8=80 9=90	27=2700 K 30=3000 K 35=3500 K 40=4000 K

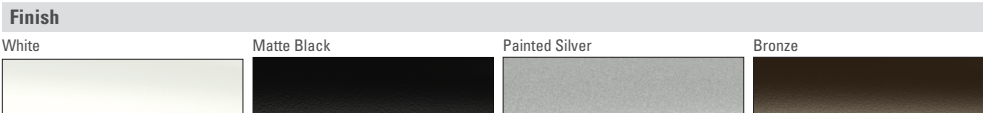
Reflector	Finish	Options	Accessories
Narrow Beam 8LN0=Polymer Trim Ring 8LN1=Self-flange ^③ Medium Beam 8LM0=White Polymer Trim Ring 8LM1=White Polymer Trim Ring Wide Beam 8LW0=White Polymer Trim Ring 8LW1=Self-flange ^③ Wall Wash 8LW110=Single Wall Wash, White Polymer Trim Ring 8LW111=Single Wall Wash, Self-flange ^③ 8LW120=Double Wall Wash, White Polymer Trim Ring 8LW121=Double Wall Wash, Self-flange	LI=Specular Clear H=Semi-Specular Clear WMH=Warm Haze G=Specular Gold WH=Wheat WHH=Wheat Haze GP=Graphite GPH=Graphite Haze B=Specular Black W=Gloss White 8LM0 Only BB=Black Baffle WB=White Baffle	Self-flanged Only WF=White Painted Flange	LGSKT8IP65=IP65 Gasket Kit ABR10P=Oversize Trim Ring for Max 10" Ceiling Opening-11.3 Flange

- Notes:**
- ① Nominal delivered lumens will vary depending on selected CCT, driver and reflector finish.
 - ② Not available with Chicago Plenum.
 - ③ Damp location listed.
 - ④ Product is marked spacing and must be installed with the following minimum spacing.
Center to Center of adjacent luminaires: 36"
Center of Luminaire to Side of Building Member: 18"
Minimum Overhead Clearance: 9"
 - ⑤ Not CSA approved.

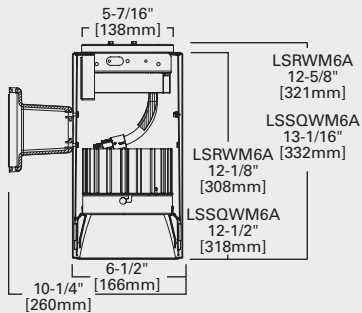
6 Inch

LED Cylinders

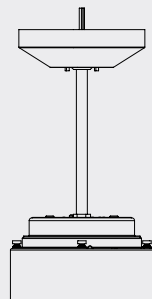
Portfolio 6-inch LED cylinders are designed to compliment any space. The standard driver is dimmable with 0-10V or trailing edge, making it ideal for replacing existing incandescent cylinders with LED. Offered in wall mount or ceiling mount with optional pendant and aircraft cable kits in a variety of finishes. Diffused optical system provides superior light control and low aperture brightness while delivering over 80 lm/W. The transitional lens design reduces LED source brightness and evenly distributes light across the entire lens producing even illumination. The cylinder is available in lumen packages ranging from 1000-2000 lumens with a choice of 2700K, 3000K, 3500K and 4000K color temperatures in 80 or 90 CRI. System life is designed for 50,000 hours at 70 percent lumen maintenance. Color variation is within 3-step MacAdam ellipses ensuring color consistency from fixture to fixture. Flexible disconnect capability allows for tool-less replacement of LED engine. The cylinders are universal voltage (120-277V).



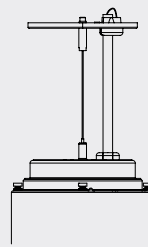
Wall Mount



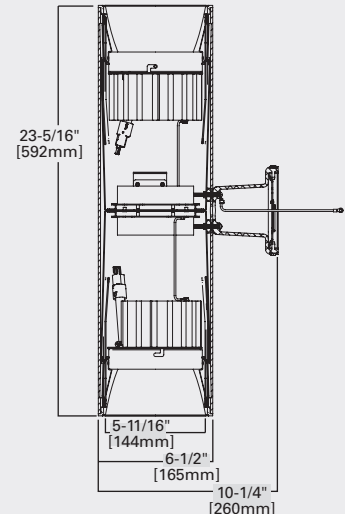
Pendant Mount



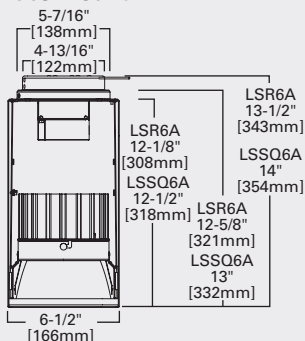
Aircraft Mount



Up/Down Wall Mount



Surface Mount

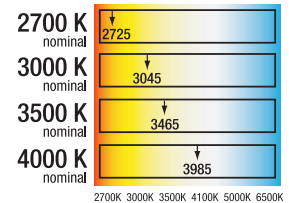


Features and Benefits

- Delivered lumens ranging from 1000 to 2000
- Available in 2700K, 3000K, 3500K, or 4000K
- 80 or 90 CRI
- Color variation within 3-step MacAdam ellipses
- Two-stage reflector system produces smooth beam
- Wall wash, narrow, medium and wide beam reflectors
- Standard dual dimming driver, 0-10V or trailing edge
- Optional 100-0% Fifth Light, DMX, or 1% dimming drivers
- Easy installation
- Three part system with flexible disconnect for easy LED engine replacement and installation
- Surface ceiling, pendant, wall mount or up/down wall mount
- Matte white, black, bronze or silver paint finish
- Optional stem mount or aircraft cable
- cULus listed for covered wet locations
- Photometric testing completed in accordance with IES LM 79 standards
- 5 year warranty



Refer to ENERGY STAR® Qualified Products List.
Can be used to comply with California Title 24 Non-Residential Lighting Controls requirements as a LED Luminaire



Ordering Information:

Order Housing, Power Module, Trim and Accessories Separately

Sample Number: LSR6A15D010TEP ERCM6A15835 6LM0LI

Housing	Lumens ^①	Driver	Cylinder Finish	Power Module	Lumens	CRI	Color
LSR6A=6" Surface Mount, Cylinder LSRWM6A=6" Wall Mount Cylinder LSRWMUD6A=6" Wall Mount Up/Down, Cylinder ^② Square LSSQ6A=6" Surface Mount, Square LSSQWM6A=6" Wall Mount, Square LSSQWMUD6A=6" Wall Mount Up/Down, Square ^②	10=1000 Lumens 15=1500 Lumens 20=2000 Lumens	1000, 1500, or 2000 Lumen D010TE=120-277V 0-10V 10% Dimming or Trailing Edge 120V Dimming DL3=1 to 100% Dimming, 120-277V Lutron® Hi-Lume, Ecosystem or 3 Wire DLT=1 to 100% Dimming, 120V Lutron® Hi-Lume Forward Phase Dimming 1000 or 1500 Lumen D5LT=Fifth Light® (DALI) 0% Dimming DE010=120-277V 0-10V 0% Dimming DMX=DMX 0% Dimming Driver	P=White MB=Matte Black SL=Painted Silver BZ=Bronze	ERCN6A=6" , For Narrow Beam Reflector ERCM6A=6" , For Medium Beam Reflector ERCW6A=6" , For Wide Beam Reflector	10=1000 Lumens 15=1500 Lumens 20=2000 Lumens	8=80 9=90	27=2700° K 30=3000° K 35=3500° K 40=4000° K

Reflector	Finish	Accessories
Narrow Beam 6LN0=6" Narrow Reflector Medium Beam 6LM0=6" Medium Reflector Wide Beam 6LW0=6" Wide Reflector Medium Beam Wall Wash 6LM110=6" Medium Reflector, Wall Wash Wide Beam Wall Wash 6LW110=6" Wide Reflector, Wall Wash	L=Specular Clear H=Semi-Specular Clear WMH=Warm Haze G=Specular Gold WH=Wheat WHH=Wheat Haze GP=Graphite GPH=Graphite Haze B=Specular Black W=Gloss White	Pendant Kit P836P= Pendant Kit, White, 36" P836BZ= Pendant Kit, Bronze, 36" P836MB= Pendant Kit, Matte Black, 36" P836SL= Pendant Kit, Painted Silver, 36" Aircraft Cable AC120P= 120" Aircraft Cable- White AC48P= 48" Aircraft Cable- White AC120MB= 120" Aircraft Cable- Black AC48MB= 48" Aircraft Cable- Black

Notes: ① Nominal delivered lumens will vary depending on selected CCT, driver and reflector finish.
 ② Order two reflectors and modules.
 ③ Not available with aircraft cable.

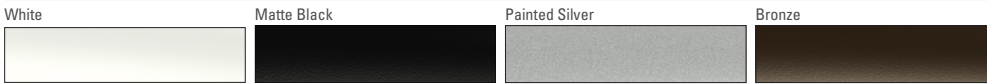
8 Inch

LED Cylinders

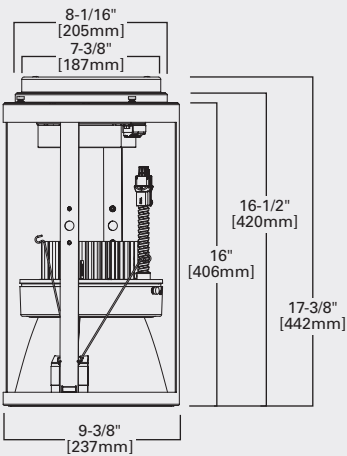
Architecturally designed to complement any space, Portfolio's 8-inch LED cylinder is perfect for high ceiling applications. The standard driver is dimmable with 0-10V or trailing edge, making it ideal for replacing existing incandescent cylinders with LED. Offered in wall mount or ceiling mount with optional pendant and aircraft cable kits in a variety of finishes. Diffused optical system provides superior light control and low aperture brightness while delivering over 80 lm/W. The transitional lens design reduces LED source brightness and evenly distributes light across the entire lens producing even illumination. Available lumen packages range from 1,000-9,000 lumens with a choice of 2700K, 3000K, 3500K and 4000K color temperatures in 80 or 90 CRI. System life is designed for 50,000 hours at 70 percent lumen maintenance. Color variation is within 3-step MacAdam ellipses ensuring color consistency from fixture to fixture. Flexible disconnect capability allows for tool-less replacement of LED engine. The cylinders are universal voltage (120-277V).



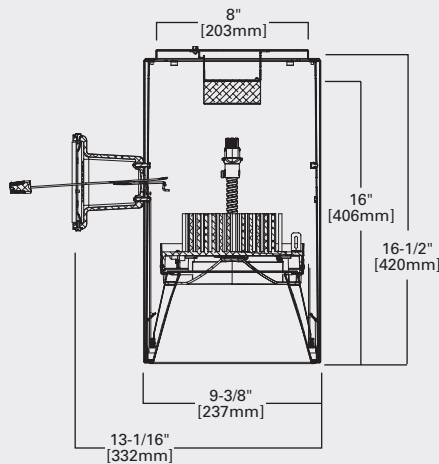
Finish



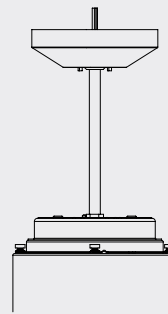
Surface Mount



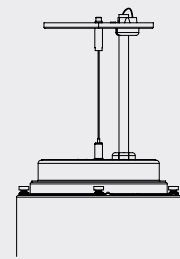
Wall Mount



Pendant Mount



Aircraft Mount

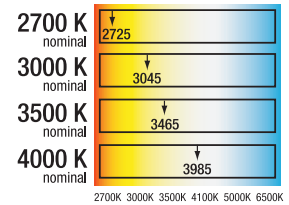


Features and Benefits

- Delivered lumens ranging from 1000 to 9000
- Available in 2700K, 3000K, 3500K, or 4000K
- 80 or 90 CRI
- Color variation within 3-step MacAdam ellipses
- Two-stage reflector system produces smooth beam
- Wall wash, narrow, medium and wide beam reflectors
- Lumen maintenance of L70 at 50,000 hours
- Standard dual dimming driver, 0-10V or trailing edge
- Optional 100%-0% Fifth Light, DMX, or 0-10V dimming drivers
- Three part system with flexible disconnect for easy LED engine replacement and installation
- Surface ceiling, pendant, wall mount
- Matte white, black, bronze or silver paint finish
- Optional stem mount or aircraft cable
- cULus listed for covered wet locations
- Photometric testing completed in accordance with IES LM 79 standards
- L70 at 50,000 hours, projected in accordance with IES TM-21
- 5 year warranty



Refer to ENERGY STAR® Qualified Products List.
Can be used to comply with California Title 24 Non-Residential Lighting Controls requirements as a LED Luminaire



Ordering Information:

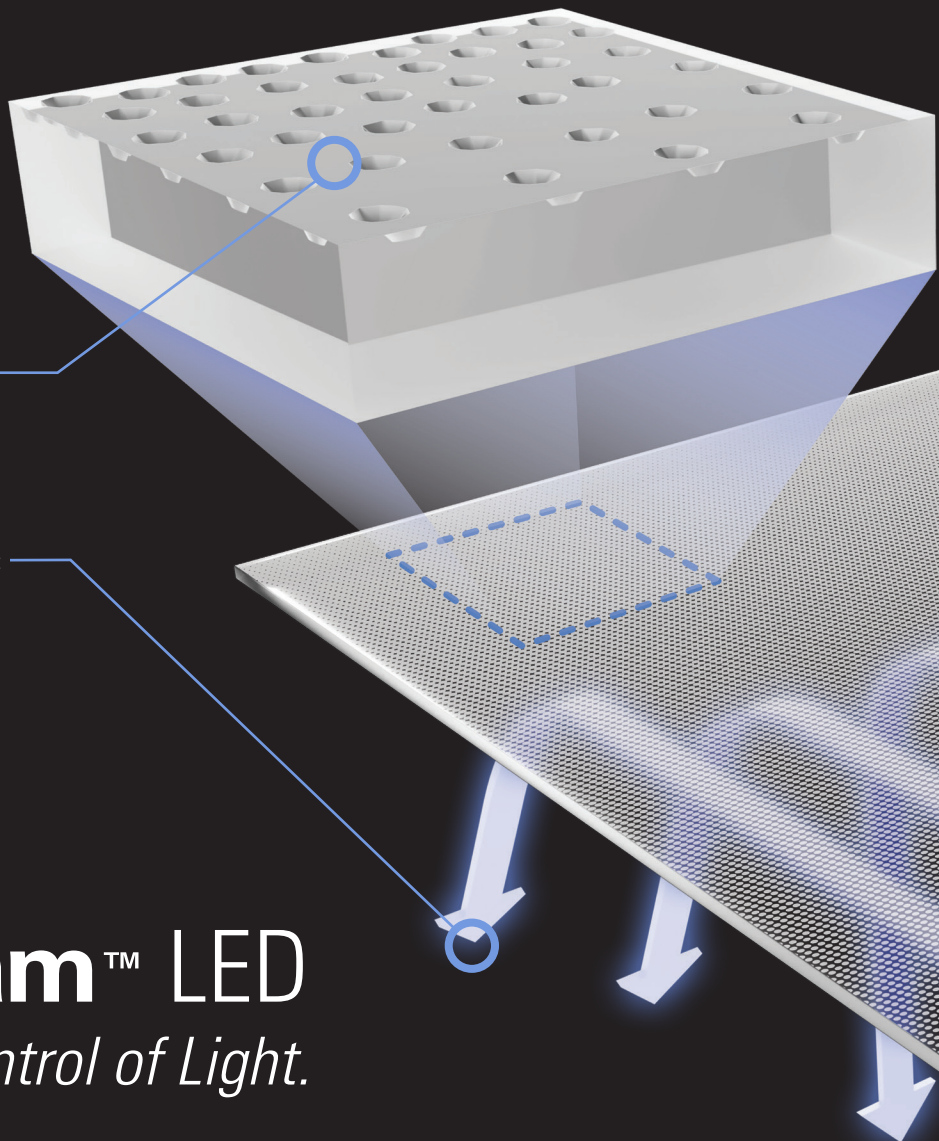
Order Housing, Power Module, Trim and Accessories Separately

SAMPLE NUMBER: LSR8A40D010TEP ER8A40835 8LM0L1

Housing	Lumens ^①	Driver	Cylinder Finish	Power Module	Lumens	CRI	Color
LSR8A=8" Aperture Surface, Cylinder LSRW8A=8" Aperture Wall Mount, Cylinder	10=1000 Lumens 15=1500 Lumens 20=2000 Lumens 30=3000 Lumens 40=4000 Lumens 50=5000 Lumens 60=6000 Lumens 65=6500 Lumens 80=8000 Lumens 90=9000 Lumens	3000, 4000, 5000 and 6000 Lumen D010TE=0-10V 10% Dimming or Trailing Edge 120V Dimming D5LT=Fifth Light® (DALI) Dimming 0-100% DL3=1 to 100% Dimming Lutron® Hi-Lume, Ecosystem or 3-Wire2 DE010=0-10V 1% Dimming 4000 5000, 6000 and 6500 Lumen D010TR=0-10V 10% Dimming or Leading Edge 120V Dimming 6500 Lumen D010=0-10V Dimming DE010=0 to 100% Dimming, 50/60Hz, 0-10V 1000-2000, 8000, and 9000 Lumen DMX=DMX 0% Dimming Driver	P=White MB=Matte Black SL=Painted Silver BZ=Bronze	ER8A=8" Module	10=1000 Lumens 15=1500 Lumens 20=2000 Lumens 30=3000 Lumens 40=4000 Lumens 50=5000 Lumens 60=6000 Lumens 65=6500 Lumens 80=8000 Lumens 90=9000 Lumens	8=80 9=90	27=2700 K 30=3000 K 35=3500 K 40=4000 K

Reflector	Finish	Accessories
Narrow Beam 8LN0=8" Narrow Reflector	L=Specular Clear H=Semi-Specular Clear	Pendant Kit for Round P836P=Pendant Kit, White, 36" P836BZ=Pendant Kit, Bronze, 36" P836MB=Pendant Kit, Matte Black, 36" P836SL=Pendant Kit, Painted Silver, 36"
Medium Beam 8LM0=8" Medium Reflector	WMH=Warm Haze G=Specular Gold WH=Wheat WHH=Wheat Haze	Aircraft Cable for Round AC120P=120" Aircraft Cable-White AC48P=48" Aircraft Cable-White AC120MB=120" Aircraft Cable-Black AC48MB=48" Aircraft Cable-Black
Wide Beam 8LW0=8" Wide Reflector	GP=Graphite GPH=Graphite Haze B=Specular Black W=Gloss White 8LM0 Only WB=White Baffle BB=Black Baffle	Type 120=3 conductor for use with 120/277V 2-wire dimming Blank=5 conductor for use with 0-10V dimming drivers DL3=6 conductor for use with DL3 3-wire dimming drivers DMX=DMX (no conductors) ^② Example: LAC 48P 48" cable with white cord for use with 0-10V driver

Notes: ① Nominal delivered lumens will vary depending on selected CCT, driver and reflector finish.
② Not available with aircraft cable.



Patented AccuAim™ optics

Precisely controlled light output

WaveStream™ LED

Taking Control of Light.

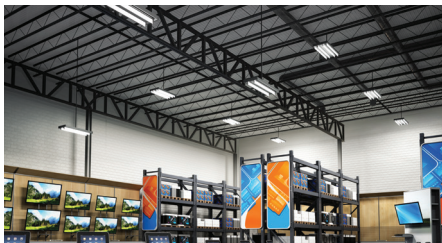
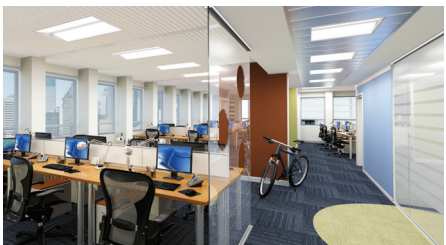
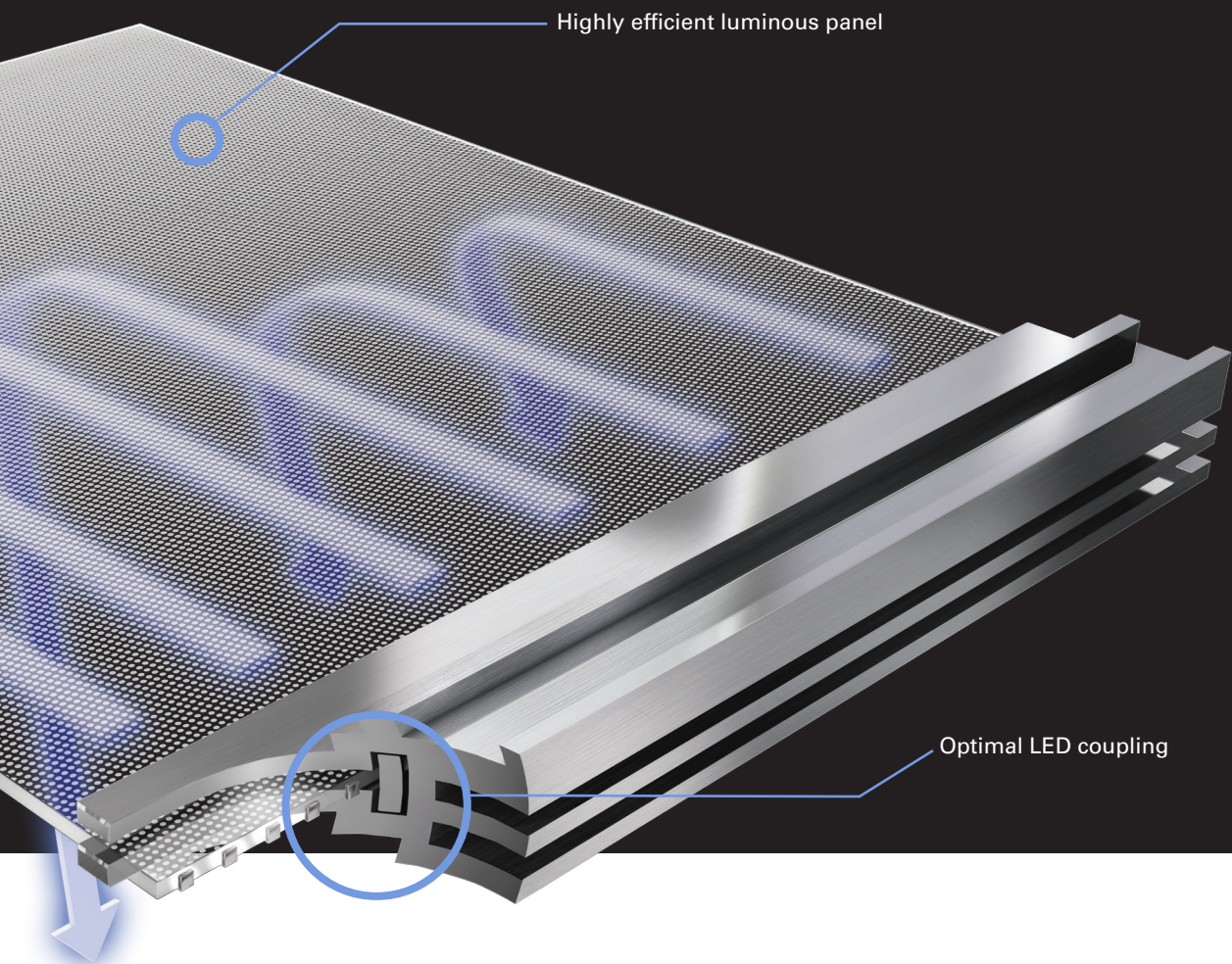
Design Freedom
Optical Control
Energy Efficiency
Brightness Control
Mainstream Value

The Breakthrough You've Been Waiting For

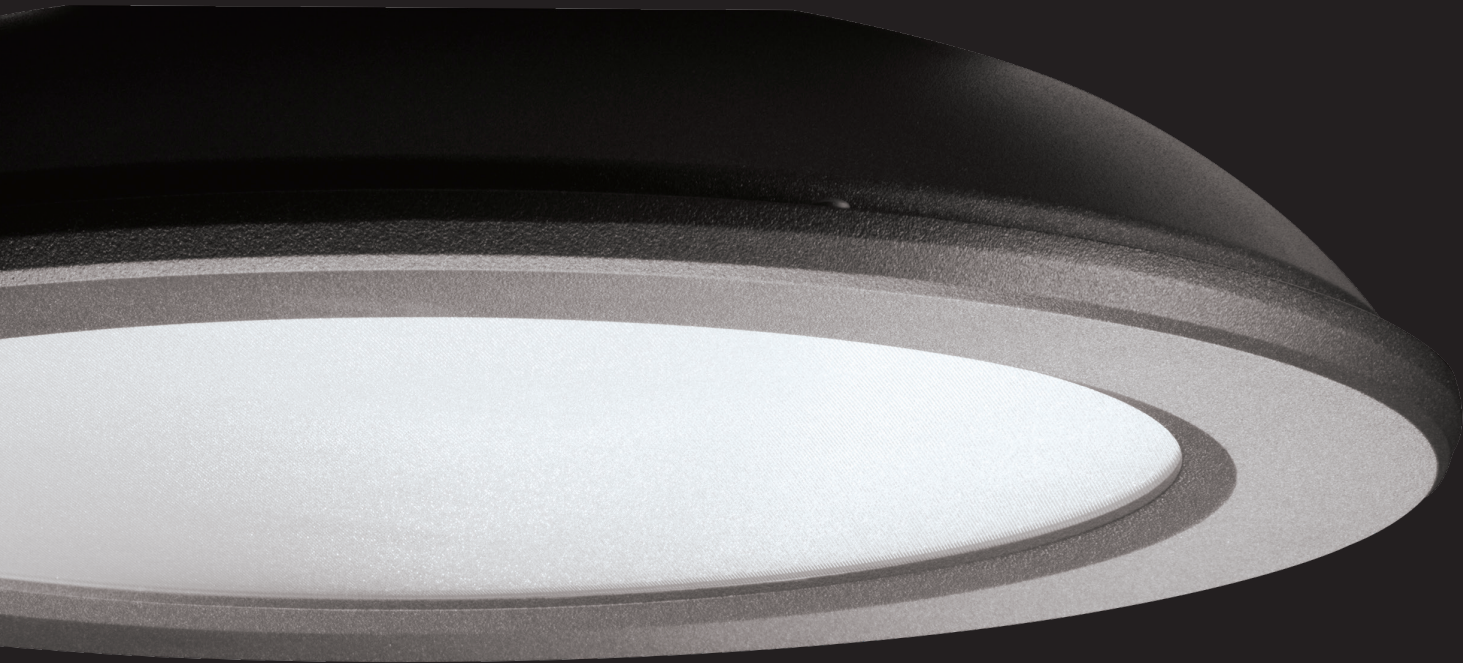
WaveStream™ LED technology presents a new paradigm that will take LEDs mainstream in a way that hasn't been possible before — transforming the LED point source into a highly efficient and elegant luminous plane. It's a groundbreaking technology that delivers unparalleled design freedom, maximum energy efficiency and unrivaled optical and brightness control.

The Science Behind the Beauty

A patented optical coupling process maximizes the amount of light injected into the WaveStream panel, dramatically improving luminaire efficiency. Laser-precise, patented AccuAim™ optics arranged in exacting patterns provide unparalleled brightness control while delivering optimal distributions tailored to each fixture and application.



WaveStream is the first lighting technology designed and optimized exclusively for LEDs — with form and function that allows mainstream adoption like never before. Once you factor in all the ways you can build and customize WaveStream lighting solutions, over 500,000 configurations are available to address nearly every major lighting application.



LED Surface Luminaire

Portfolio's newest surface mount fixtures deliver an unparalleled combination of aesthetics and performance. Utilizing the patented WaveStream™ LED technology with AccuAim™ optics, these products deliver optimal distribution and efficiency in a low-profile form factor. Ideal for high ceiling applications in architectural and commercial spaces, the Portfolio surface mount will add artistic flare to many spaces. Replacing high wattage incandescent, halogen and metal halide sources, the architecturally designed surface-mount pendant provides significant energy savings with a quick payback.

Features and Benefits

- Five lumen packages (4500, 5500, 7000, 8000 and 9000)
- Efficacy: delivers up to 101 lm/W
- 80 or 90 CRI
- Color Temperatures: 2700K, 3000K, 3500K and 4000K
- Lumen maintenance 85% at 60,000 hours
- Available for ceiling, wall, aircraft cable or stem mounting
- Standard 0-10V 10% or trailing edge combination driver
- Optional Fifth Light, 0-10V 1% or Lutron driver
- Matte black, white, bronze or silver finishes
- 85% lumen output at 60,000 hours of operation
- UL/cUL listed for wet locations
- Five-year warranty

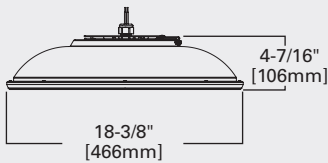


DesignLights Consortium® Qualified.
Refer to www.designlights.org
Qualified Products List under Family
Models for details.

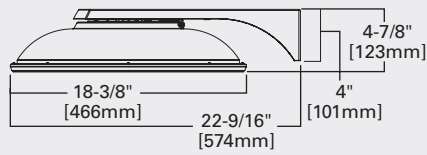
LED Surface Luminaire



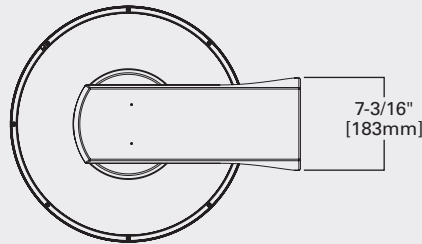
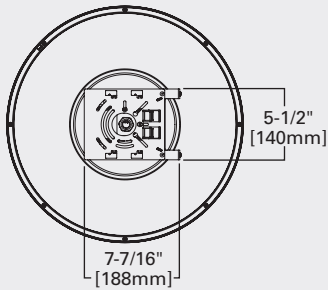
SURFACE MOUNT



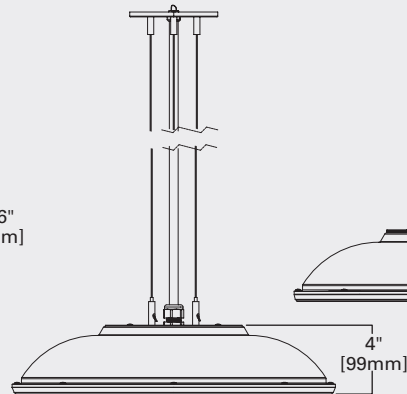
WALL MOUNT



PENDANT MOUNT



AIRCRAFT CABLE MOUNT



Ordering Information:

Order Housing, Power Module, Trim and Accessories Separately

Sample Number: LSM45W8027D010TEMBLPS36MB

Housing	Lumens	Distribution	CRI	CCT	Voltage	Driver	Color
LSM =LED Surface Ceiling LSMP =LED Pendant Mount LSWM =LED Wall Mount LSMAC48 =LED Aircraft Cable Mount 48" LSMAC120 =LED Aircraft Cable Mount 120"	45=4500 Lumens 55=5500 Lumens 70=7000 Lumens 80=8000 Lumens 90=9000 Lumens	W =Wide M =Medium	80=80 CRI 90=90 CRI	27=2700 K 30=3000 K 35=3500 K 40=4000 K	Blank =120-277V 3=347V	4500, 5500, 7000, 8000 and 9000 Lumen D010TE =120-277 0-10V 10% Dimming or Trailing Edge 120V 4500, 5500, 7000, 8000 Lumen D5LT =120-277 Fifth Light DALI 0% Dimming D010TR =120-277 0-10V 10% Dimming or Leading Edge 120V DE010 =120-277 0-10V 0% Dimming 4500, 5500, 7000 Lumen DL3 =120-277, 1-100% Lutron Dimming DLT =120-277, 1-100% Lutron Dimming	MB =Matte Black P =White SL =Silver BZ =Bronze

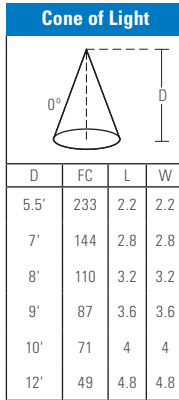
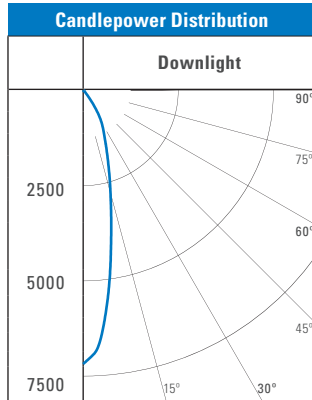
Stem Kits	Color	Driver Type	Accessories
LPS36 =36-Inch LPS48 =48-Inch LPS96 =96-Inch	MB =Matte Black P =White SL =Silver BZ =Bronze	Blank =5 Conductor for use with 0-10V Dimming Drivers 120 =3 Conductor for use with 120V or 277V 2-wire Dimming DL3 =6 Conductor for use with DL3 3-wire Dimming Drivers D5LT =5 Conductor for use with D5LT Drivers	TT/WG =Wireguard

Notes: ① For pendant mount order stem kit.



Photometry – 4-Inch Round

Test Number P133618
 Housing LD4A18D010TE
 Trim ERN4A18835 4LN1LI
 Lumens 2368
 Efficacy 72.2 Lm/W
 SC 0.4



Candela Table

Degrees Vertical	Candela
0	7058
5	6145
15	2836
25	1366
35	564
45	50
55	3
65	0
75	0
85	0
90	0

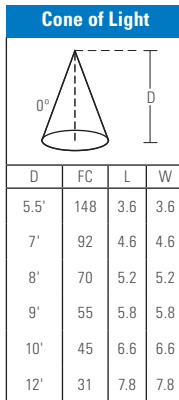
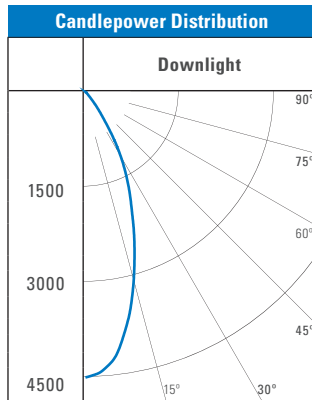
Zonal Lumen Summary

Zone	Lumens	% Fixture
0-30	1963	82.9
0-40	2313	97.7
0-60	2367	100
0-90	2368	100
90-180	0	0
0-180	2368	100

Luminance

Average Candela Degrees	Average 0° Luminance
45	6933
55	442
65	0
75	0
85	0

Test Number P133746
 Housing LD4A18D010TE
 Trim ERM4A18835 4LM1LI
 Lumens 2507
 Efficacy 76.4 Lm/W
 SC 0.7



Candela Table

Degrees Vertical	Candela
0	4483
5	4316
15	3105
25	1751
35	594
45	43
55	0
65	0
75	0
85	0
90	0

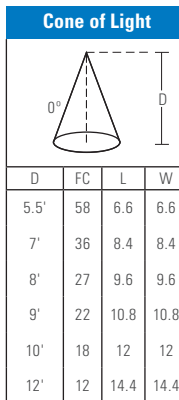
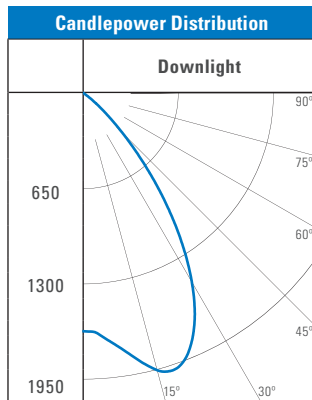
Zonal Lumen Summary

Zone	Lumens	% Fixture
0-30	2055	82.0
0-40	2449	97.7
0-60	2503	99.8
0-90	2507	100.0
90-180	0	0.0
0-180	2507	100.0

Luminance

Average Candela Degrees	Average 0° Luminance
45	5954
55	0
65	0
75	0
85	0

Test Number P134426
 Housing LD4A18D010TE
 Trim ERW4A18835 4LW1LI
 Lumens 2572
 Efficacy 78.4 Lm/W
 SC 1.3



Candela Table

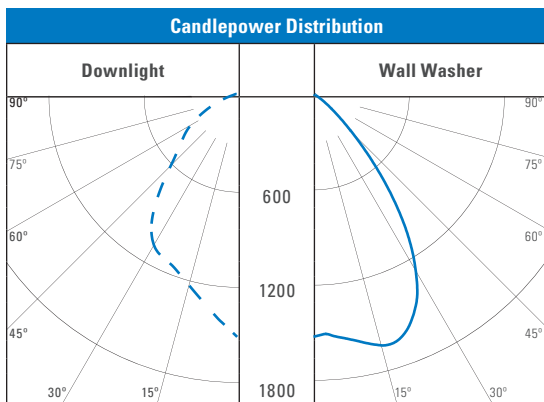
Degrees Vertical	Candela
0	1618
5	1666
15	1946
25	1787
35	1108
45	378
55	53
65	3
75	0
85	0
90	0

Zonal Lumen Summary

Zone	Lumens	% Fixture
0-30	1520	59.1
0-40	2205	85.7
0-60	2567	99.8
0-90	2572	100
90-180	0	0
0-180	2572	100

Luminance

Average Candela Degrees	Average 0° Luminance
45	52140
55	9022
65	761
75	0
85	0



Test Number P134650
 Housing LD4A18D010TE
 Trim ERW4A18835 4LW11LI
 Lumens 2437
 Efficacy 74.3 Lm/W

Single Unit Footcandles

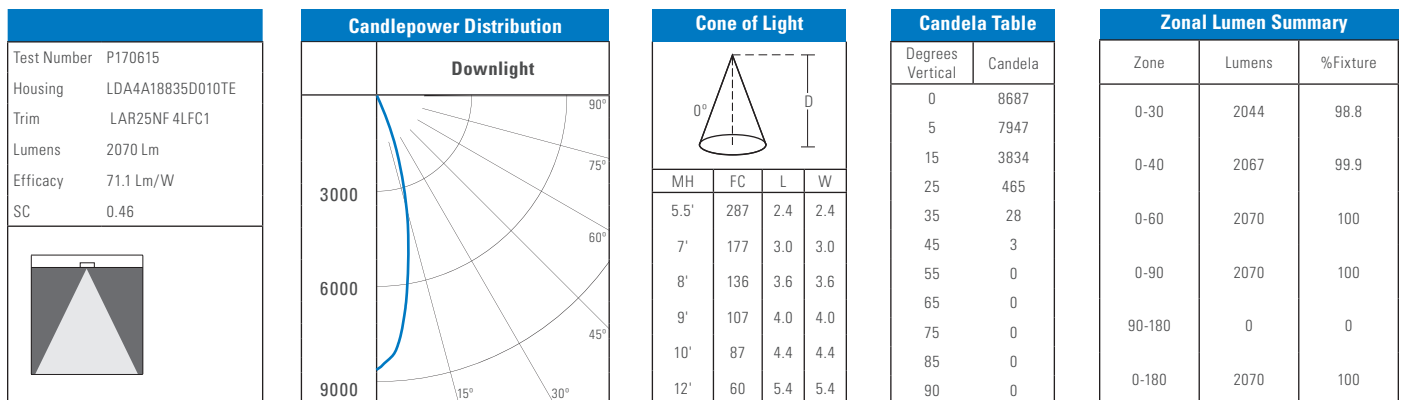
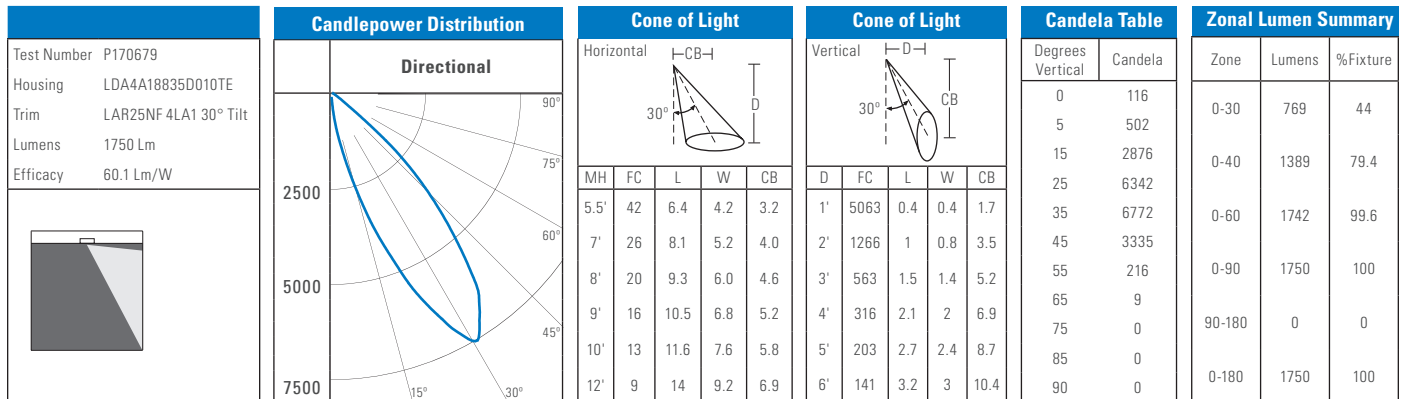
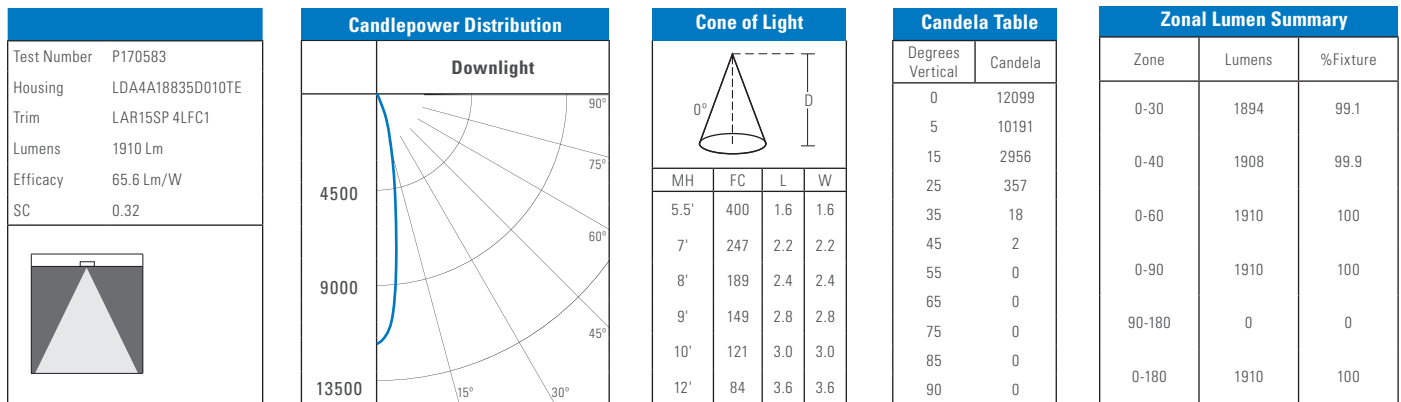
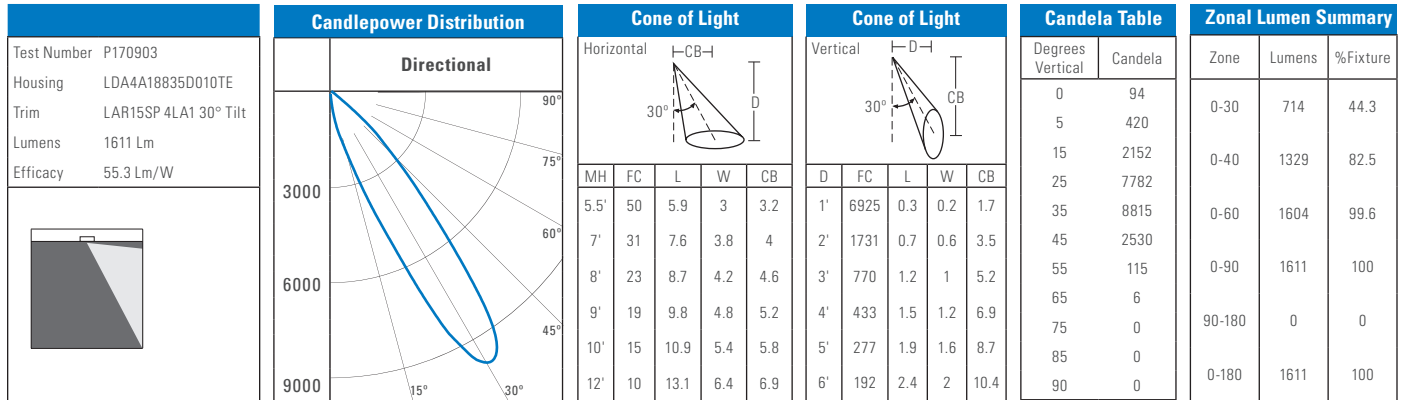
DD	3' FROM WALL (Distance From Fixture Along Wall)		
	1'	2'	3'
1'	7	4	2
2'	23	19	11
3'	22	19	13
4'	21	18	13
5'	16	15	12
6'	11	11	10
7'	8	8	7
8'	6	6	5
9'	4	4	4
10'	3	3	3

Multiple Unit Footcandles

2.5' FROM WALL (Spacing Between Fixtures)			3' FROM WALL (Spacing Between Fixtures)		
2'	3'	4'	2'	3'	4'
18	19	18	16	12	16
48	54	48	38	41	38
46	50	46	38	40	38
39	43	39	32	38	32
29	30	29	24	29	24
20	20	20	18	20	18
14	14	14	13	14	13
10	10	10	10	10	10
7	8	7	7	8	7
6	6	6	6	6	6

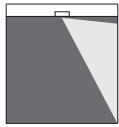
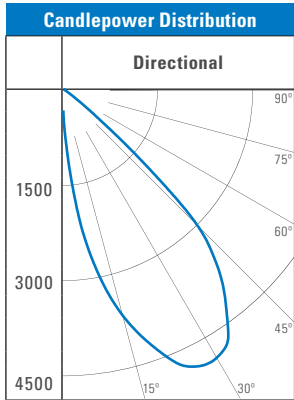
LEGEND:
 0-deg: - - - - -
 90-deg: _____

Photometry – 4-Inch Adjustable



Photometry – 4-Inch Adjustable

Test Number	P174896
Housing	LDA4A18835D010TE
Trim	LAR35FL 4LA1 30° Tilt
Lumens	1843 Lm
Efficacy	63.3 Lm/W

Cone of Light

Horizontal

MH	FC	L	W	CB
5.5'	45	5.3	4.6	3.2
7'	28	6.9	5.8	4
8'	21	7.8	6.8	4.6
9'	17	8.8	7.6	5.2
10'	14	9.8	8.4	5.8
12'	10	11.8	10.2	6.9

Cone of Light

Vertical

D	FC	L	W	CB
1'	3506	0.5	0.6	1.7
2'	876	1.2	1.2	3.5
3'	390	1.9	1.8	5.2
4'	219	2.5	2.6	6.9
5'	140	3.2	3.2	8.7
6'	97	3.9	3.8	10.4

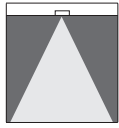
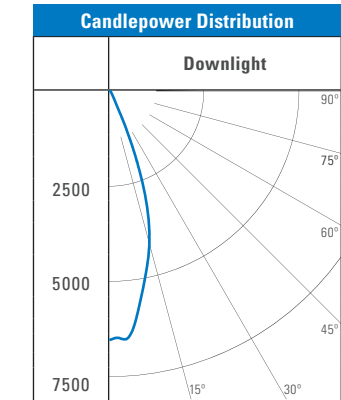
Candela Table

Degrees Vertical	Candela
0	342
5	1432
15	3794
25	4914
35	4619
45	2960
55	129
65	4
75	0
85	0
90	0

Zonal Lumen Summary

Zone	Lumens	%Fixture
0-30	948	51.4
0-40	1514	82.1
0-60	1837	99.7
0-90	1843	100
90-180	0	0
0-180	1843	100

Test Number	P170647
Housing	LDA4A18835D010TE
Trim	LAR35FL 4LFC1
Lumens	2153 Lm
Efficacy	73.9 Lm/W
SC	0.6

Cone of Light

D	FC	L	W
5.5'	219	3.2	3.2
7'	135	4.0	4.0
8'	104	4.6	4.6
9'	82	5.2	5.2
10'	66	5.8	5.8
12'	46	7	7

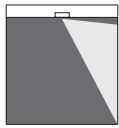
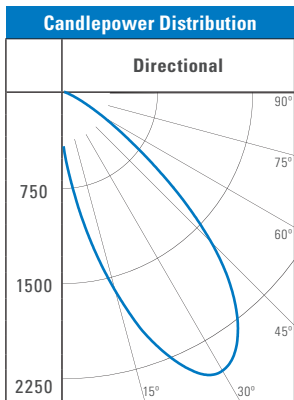
Candela Table

Degrees Vertical	Candela
0	6625
5	6511
15	4203
25	623
35	34
45	2
55	0
65	0
75	0
85	0
90	0

Zonal Lumen Summary

Zone	Lumens	%Fixture
0-30	2121	98.5
0-40	2150	99.9
0-60	2153	100
0-90	2153	100
90-180	0	0
0-180	2153	100

Test Number	P170871
Housing	LDA4A18835D010TE
Trim	LAR35FL 4LLWW1
Lumens	1600 Lm
Efficacy	54.9 Lm/W

Cone of Light

Horizontal

MH	FC	L	W	CB
5.5'	19.4	6.5	6	3.2
7'	12	8.2	7.6	4
8'	9.2	9.4	8.8	4.6
9'	7.2	10.6	9.8	5.2
10'	5.9	11.8	11	5.8
12'	4.1	14.2	13.2	6.9

Cone of Light

Vertical

D	FC	L	W	CB
1'	1775	0.6	0.6	1.7
2'	444	1.3	1.4	3.5
3'	197	2.0	2.2	5.2
4'	111	2.7	3.0	6.9
5'	71	3.5	3.8	8.7
6'	49	4.1	4.6	10.4

Candela Table

Degrees Vertical	Candela
0	427
5	726
15	1654
25	2420
35	2384
45	1609
55	551
65	108
75	8
85	3
90	0

Zonal Lumen Summary

Zone	Lumens	%Fixture
0-30	596	37.2
0-40	1043	65.2
0-60	1556	97.3
0-90	1600	100
90-180	0	0
0-180	1600	100

Single Unit Footcandles


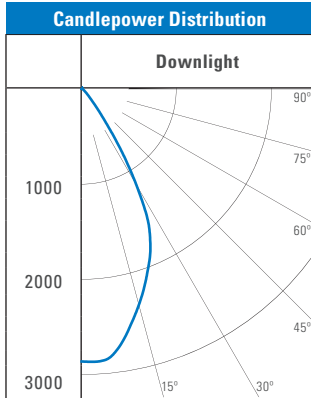
DD	2' FROM WALL (Distance From Fixture Along Wall)						
	●	1'	2'	3'	4'	5'	6'
1'	27	11	1	0	0	0	0
2'	142	70	15	3	1	0	0
3'	104	67	23	7	2	0	0
4'	55	41	20	8	3	1	0
5'	29	23	14	7	3	1	1
6'	16	13	9	6	3	2	1
7'	9	8	6	4	3	1	1
8'	6	5	4	3	2	1	1
9'	4	3	3	2	2	1	1
10'	2	2	2	2	1	1	1

Multiple Unit Footcandles

2' FROM WALL (Spacing Between Fixtures)				3' FROM WALL (Spacing Between Fixtures)			
●	2' apart		●	●	3' apart		●
	●	●			●	●	
28	22	8	8	2	2	2	2
157	140	157	157	32	26	32	32
127	134	127	127	70	62	70	70
75	82	75	75	65	66	65	65
42	46	42	42	48	51	48	48
25	27	25	25	33	36	33	33
15	16	15	15	23	25	23	23
10	10	10	10	16	17	16	16
6	7	6	6	11	12	11	11
4	5	4	4	8	8	8	8

Photometry – 4-Inch Square

Test Number	P135106
Housing	LDSQ4A18D010TE
Trim	ESQ4A18835 4LSQ1LI
Lumens	2349
Efficacy	71.6 Lm/W
SC	0.9

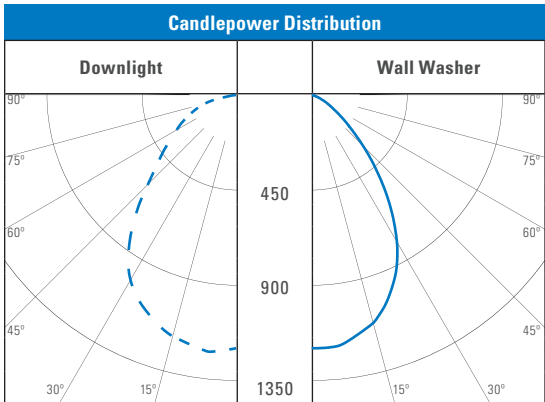



Cone of Light			
D	FC	L	W
5.5'	94	4.6	4.6
7'	58	6	6
8'	45	6.8	6.8
9'	35	7.6	7.6
10'	29	8.6	8.6
12'	20	10.2	10.2

Degrees Vertical	Candela
0	2849
5	2849
15	2352
25	1725
35	550
45	100
55	22
65	8
75	3
85	0
90	0

Zonal Lumen Summary		
Zone	Lumens	%Fixture
0-30	1712	72.9
0-40	2195	93.4
0-60	2339	99.6
0-90	2349	100.0
90-180	0	0.0
0-180	2349	100.0

Luminance	
Average Candela Degrees	Average 0° Luminance
45	10771
55	2989
65	1358
75	739
85	0

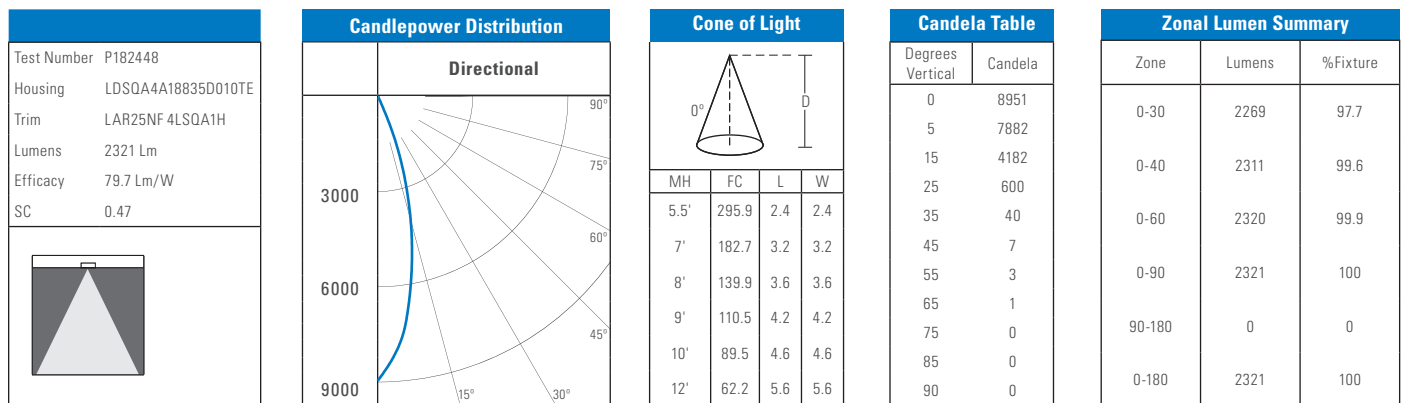
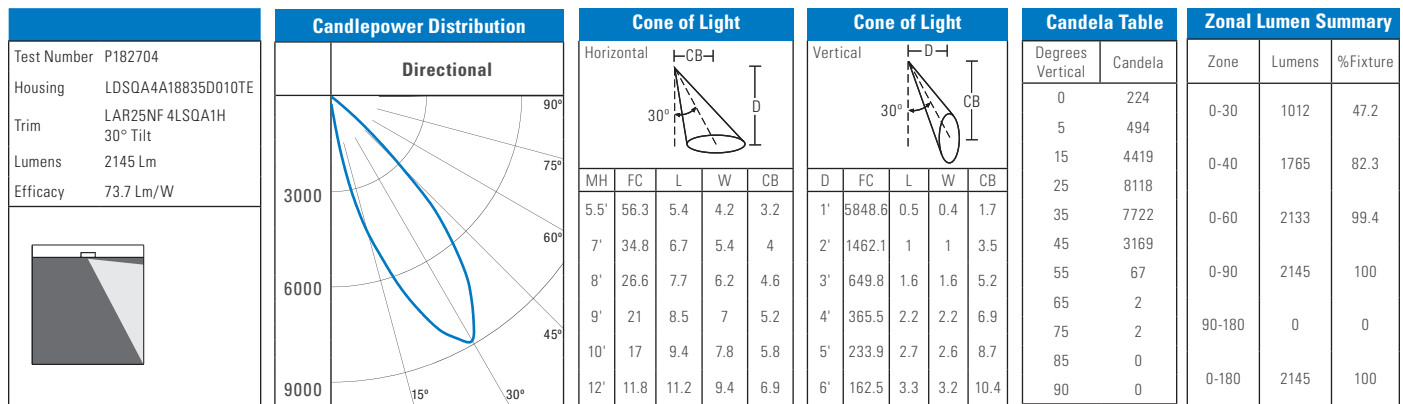
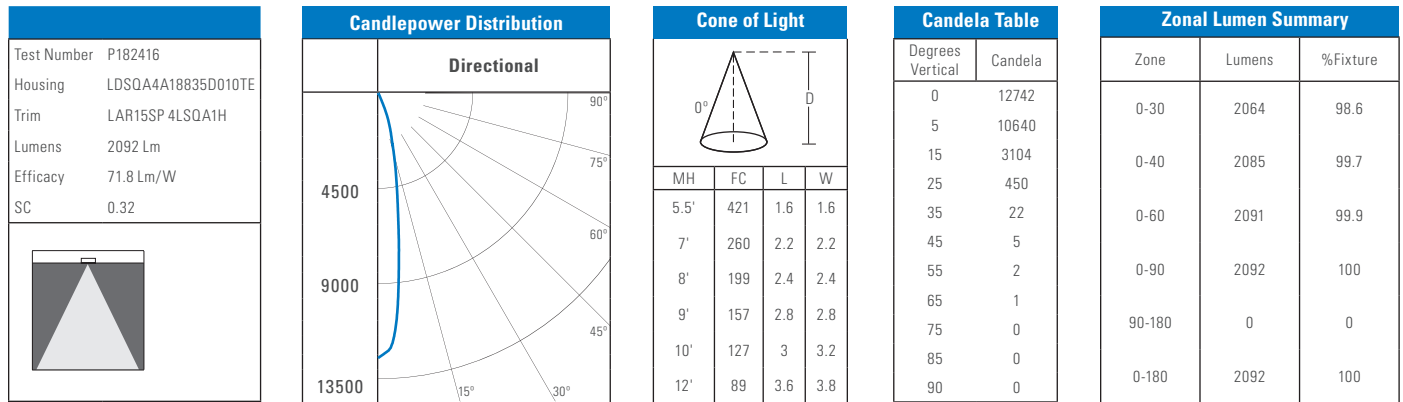
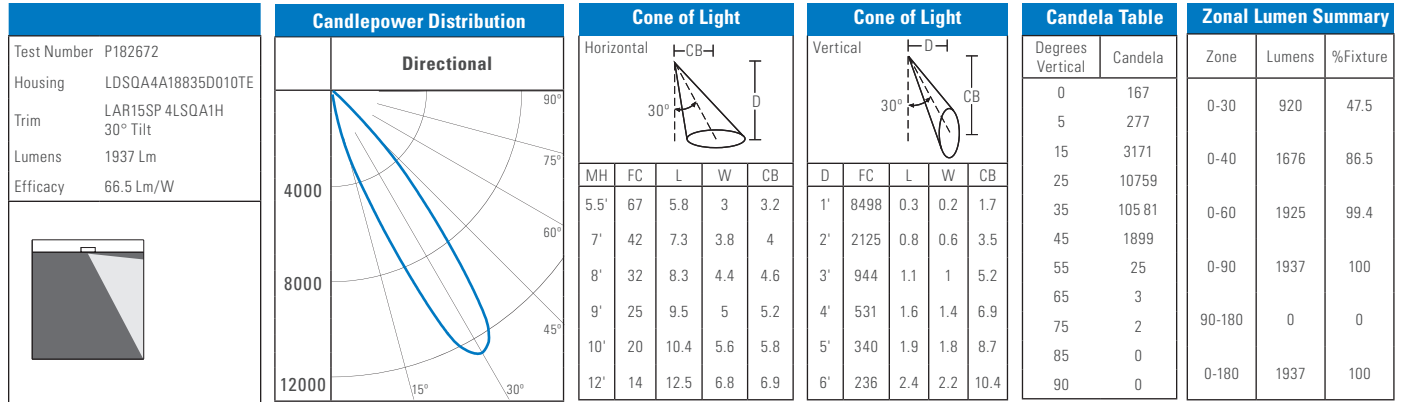


Test Number	P166331
Housing	LDSQ4A28D010TE
Trim	ESQ4A28835 4LSQLWW1LI
Lumens	1935
Efficacy	44.4 Lm/W

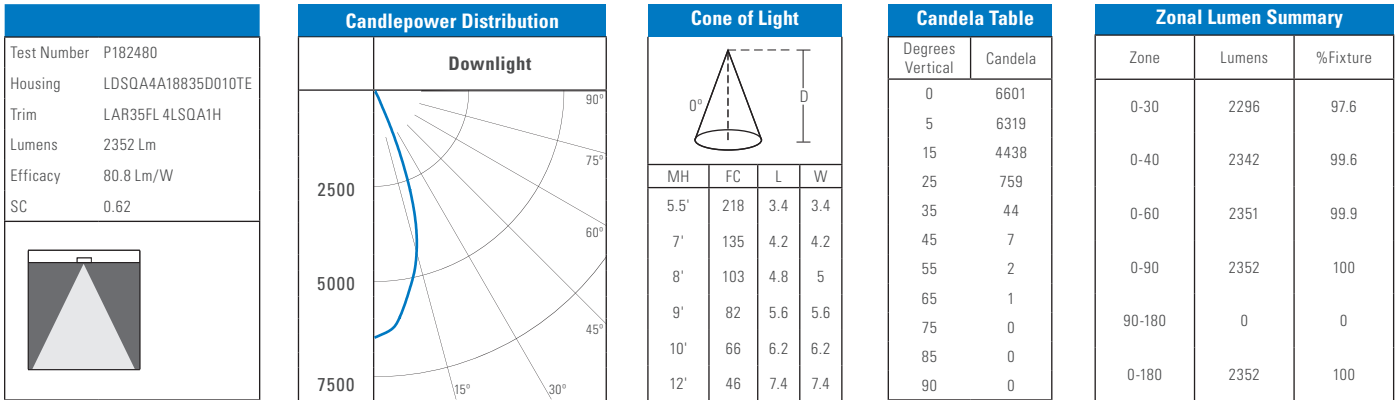
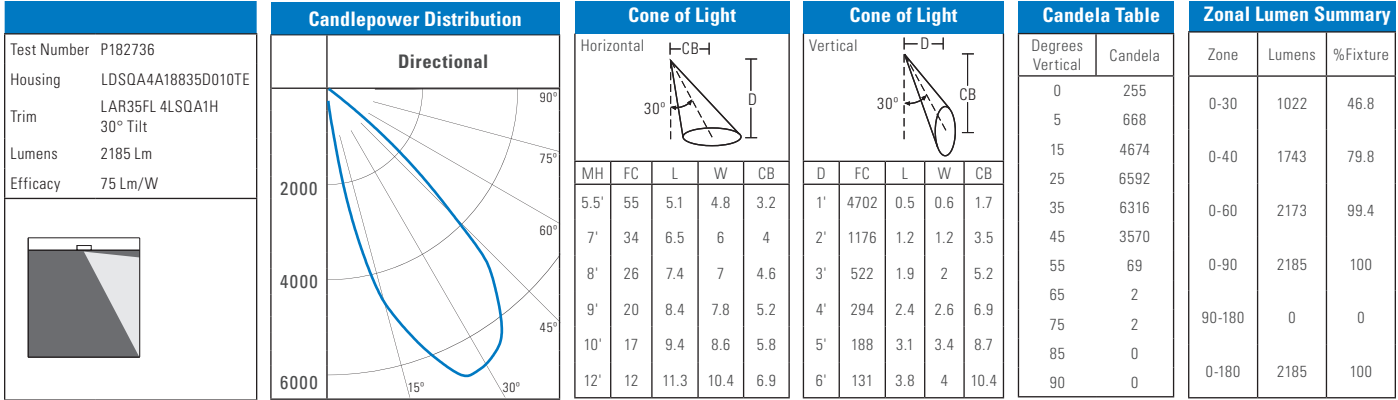
DD	3' FROM WALL (Distance From Fixture Along Wall)			Multiple Unit Footcandles												
	1'	2'	3'	2.5' FROM WALL (Spacing Between Fixtures)			3' FROM WALL (Spacing Between Fixtures)									
1'	18	14	6	2	37	42	37	32	27	32	24	27	24	20	19	20
2'	24	21	13	6	50	57	50	41	44	41	37	41	37	30	34	30
3'	23	21	15	8	49	55	49	40	46	40	38	42	38	32	36	32
4'	20	18	14	9	38	42	38	32	37	32	34	37	34	29	33	29
5'	15	14	11	8	26	28	26	23	26	23	26	28	26	23	26	23
6'	11	10	9	7	18	19	18	16	18	16	19	20	19	17	19	17
7'	7	7	6	5	13	13	13	12	13	12	14	15	14	13	14	13
8'	5	5	5	4	9	10	9	9	9	9	10	11	10	10	10	10
9'	4	4	4	3	7	7	7	6	7	6	8	8	8	7	8	7
10'	3	3	3	3	5	5	5	5	5	5	6	6	6	6	6	6

LEGEND:
 0-deg: - - - - -
 90-deg: —————

Photometry – 4-Inch Square Adjustable

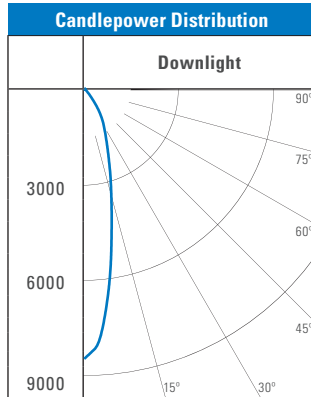


Photometry – 4-Inch Square Adjustable



Photometry – 6-Inch Round

Test Number P133530
 Housing LD6A30D010TE
 Trim ERN6A30835 6LN1LI
 Lumens 2881
 Efficacy 63.5 Lm/W
 SC 0.4



Cone of Light

D	FC	L	W
5.5'	278	2.2	2.2
7'	171	2.8	2.8
8'	131	3.2	3.2
9'	104	3.6	3.6
10'	84	4	4
12'	58	4.8	4.8

Candela Table

Degrees Vertical	Candela
0	8397
5	7261
15	3356
25	1636
35	742
45	89
55	6
65	2
75	0
85	0
90	0

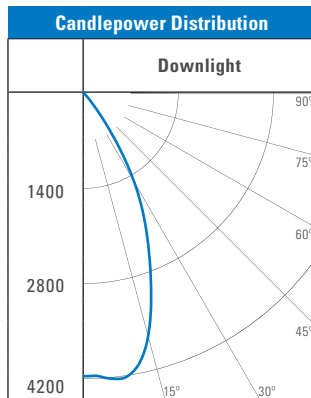
Zonal Lumen Summary

Zone	Lumens	%Fixture
0-30	2328	80.8
0-40	2784	96.6
0-60	2878	99.9
0-90	2881	100.0
90-180	0	0.0
0-180	2881	100.0

Luminance

Average Candela Degrees	Average 0° Luminance
45	8212
55	694
65	309
75	0
85	0

Test Number P135370
 Housing LD6A30D010TE
 Trim ERM6A30835 6LM1LI
 Lumens 3014
 Efficacy 66.4 Lm/W
 SC 0.8



Cone of Light

D	FC	L	W
5.5'	137	4.4	4.4
7'	85	5.6	5.6
8'	65	6.4	6.4
9'	51	7.2	7.2
10'	42	8	8
12'	29	9.6	9.6

Candela Table

Degrees Vertical	Candela
0	4156
5	4201
15	3726
25	2226
35	774
45	63
55	8
65	2
75	2
85	0
90	0

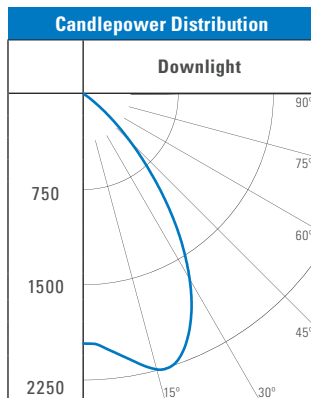
Zonal Lumen Summary

Zone	Lumens	%Fixture
0-30	2436	80.8
0-40	2935	97.4
0-60	3010	99.9
0-90	3014	100.0
90-180	0	0.0
0-180	3014	100.0

Luminance

Average Candela Degrees	Average 0° Luminance
45	5813
55	921
65	309
75	504
85	0

Test Number P136090
 Housing LD6A30D010TE
 Trim ERW6A30835 6LW1LI
 Lumens 3045
 Efficacy 67.1 Lm/W
 SC 1.1



Cone of Light

D	FC	L	W
5.5'	67	6.6	6.6
7'	42	8.4	8.4
8'	32	9.6	9.6
9'	25	10.8	10.8
10'	20	12	12
12'	14	14.4	14.4

Candela Table

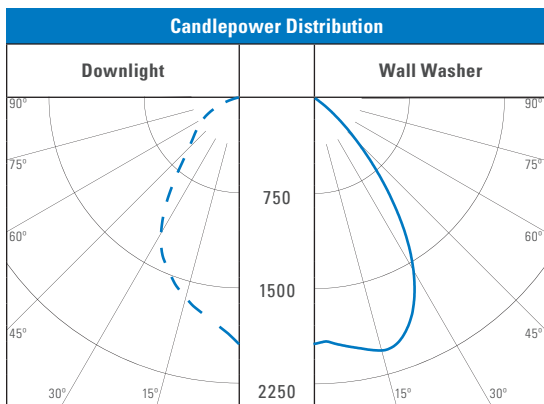
Degrees Vertical	Candela
0	1961
5	2004
15	2241
25	2006
35	1300
45	523
55	76
65	4
75	2
85	0
90	0

Zonal Lumen Summary

Zone	Lumens	%Fixture
0-30	1735	57.0
0-40	2539	83.4
0-60	3037	99.7
0-90	3045	100.0
90-180	0	0.0
0-180	3045	100.0

Luminance

Average Candela Degrees	Average 0° Luminance
45	48263
55	8667
65	648
75	529
85	0



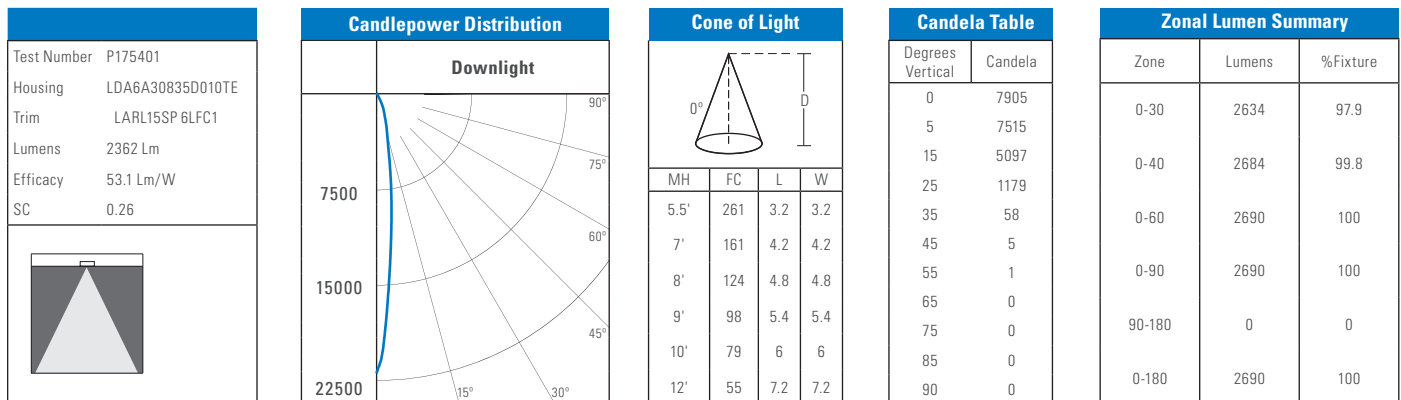
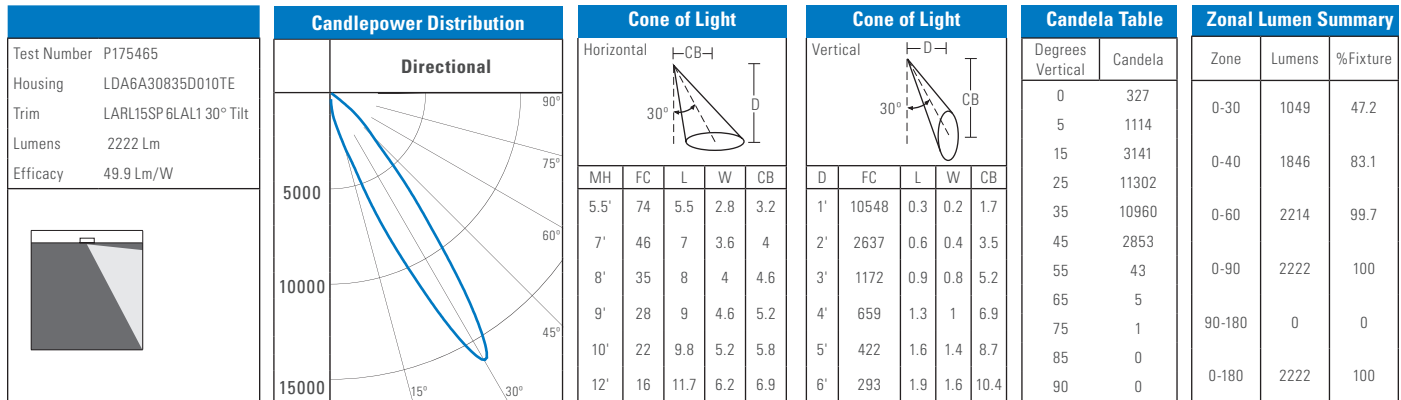
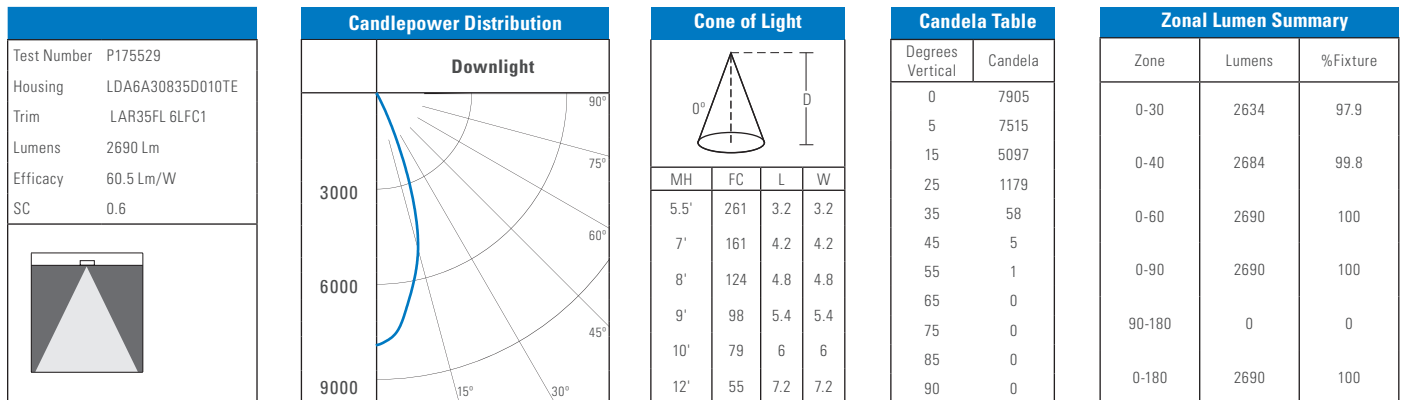
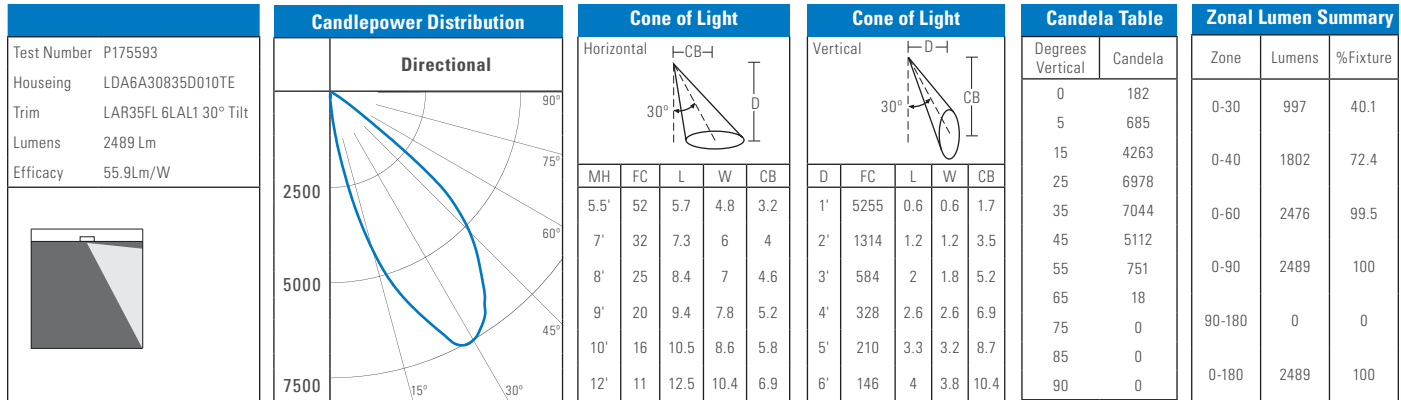
Test Number P136330
 Housing LD6A30D010TE
 Trim ERW6A30835 6LW11LI
 Lumens 3023
 Efficacy 66.6 Lm/W

Single Unit Footcandles

DD	3' FROM WALL (Distance From Fixture Along Wall)				2.5' FROM WALL (Spacing Between Fixtures)			3' FROM WALL (Spacing Between Fixtures)								
	1'	2'	3'	4'	2'	3'	4'	2'	3'	4'						
1'	13	10	6	2	32	37	32	27	26	27	18	20	18	15	16	15
2'	24	21	13	7	50	57	50	41	45	41	38	42	38	31	35	31
3'	22	20	14	8	48	53	48	40	42	40	36	39	36	30	34	30
4'	22	19	13	8	43	48	43	36	41	36	35	39	35	30	33	30
5'	18	17	13	8	34	37	34	29	33	29	31	34	31	27	30	27
6'	14	13	11	8	24	26	24	22	24	22	24	26	24	22	24	22
7'	10	10	9	7	18	18	18	16	18	16	19	19	19	17	19	17
8'	7	7	7	6	13	13	13	12	13	12	14	14	14	13	14	13
9'	6	5	5	5	10	10	10	9	10	9	11	11	11	10	11	10
10'	4	4	4	4	7	8	7	7	7	7	8	8	8	8	8	8

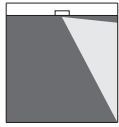
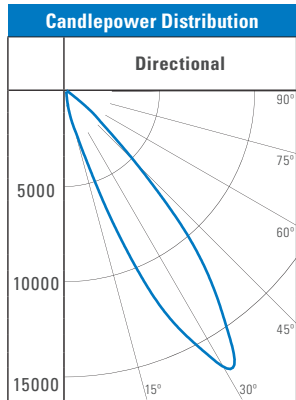
LEGEND:
 0-deg: - - - - -
 90-deg: —————

Photometry – 6-Inch Adjustable



Photometry – 6-Inch Adjustable

Test Number	P175497
Housing	LDA6A30835D010TE
Trim	ARL20NF6LAL1 30° Tilt
Lumens	2566 Lm
Efficacy	57.7 Lm/W

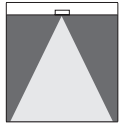
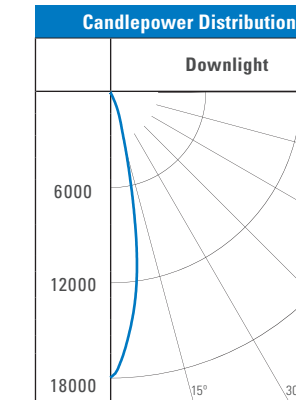
Cone of Light					
Horizontal					
MH	FC	L	W	CB	
5.5'	84	5.5	3.4	3.2	
7'	52	7	4.4	4	
8'	40	7.9	5	4.6	
9'	31	8.9	5.6	5.2	
10'	25	9.8	6.2	5.8	
12'	18	11.7	7.6	6.9	

Cone of Light					
Vertical					
D	FC	L	W	CB	
1'	11382	0.3	0.2	1.7	
2'	2845	0.8	0.6	3.5	
3'	1265	1.2	1	5.2	
4'	711	1.7	1.4	6.9	
5'	455	2.2	1.8	8.7	
6'	316	2.6	2.2	10.4	

Degrees Vertical	Candela
0	58
5	561
15	3193
25	13468
35	14168
45	4072
55	133
65	5
75	0
85	0
90	0

Zone	Lumens	%Fixture
0-30	1092	42.6
0-40	2122	82.7
0-60	2557	99.6
0-90	2566	100
90-180	0	0
0-180	2566	100

Test Number	P175433
Housing	LDA6A30835D010TE
Trim	LARL20NF6LFC1
Lumens	2695 Lm
Efficacy	60.6Lm/W
SC	0.34

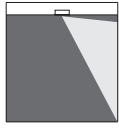
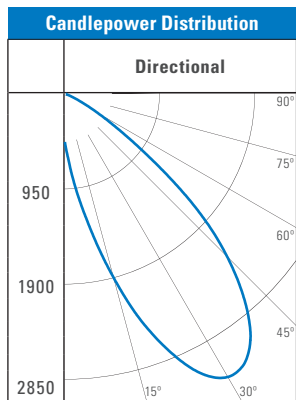



Cone of Light				
Horizontal				
MH	FC	L	W	
5.5'	590	1.8	1.8	
7'	364	2.4	2.4	
8'	279	2.8	2.8	
9'	220	3	3	
10'	179	3.4	3.4	
12'	124	4.2	4.2	

Degrees Vertical	Candela
0	17845
5	14698
15	3736
25	627
35	8
45	1
55	0
65	0
75	0
85	0
90	0

Zone	Lumens	%Fixture
0-30	2686	99.7
0-40	2694	100
0-60	2695	100
0-90	2695	100
90-180	0	0
0-180	2695	100

Test Number	P175561
Housing	LDA6A30835D010TE
Trim	LAR35FL6LLWW1
Lumens	2015 Lm
Efficacy	45.3Lm/W

Cone of Light					
Horizontal					
MH	FC	L	W	CB	
5.5'	23	6.8	6	3.2	
7'	14	8.7	7.6	4	
8'	11	9.9	8.8	4.6	
9'	9	11.2	10	5.2	
10'	7	12.3	11	5.8	
12'	5	14.7	13.2	6.9	

Cone of Light					
Vertical					
D	FC	L	W	CB	
1'	2380	0.6	0.6	1.7	
2'	595	1.3	1.4	3.5	
3'	265	1.9	2.2	5.2	
4'	149	2.6	3	6.9	
5'	95	3.4	3.8	8.7	
6'	66	4	4.6	10.4	

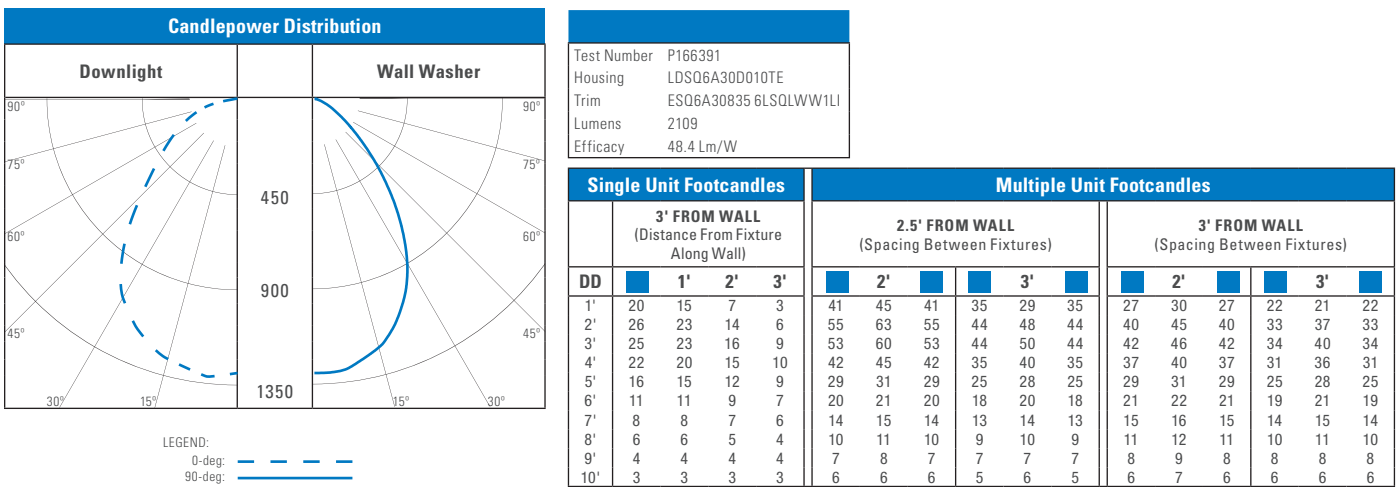
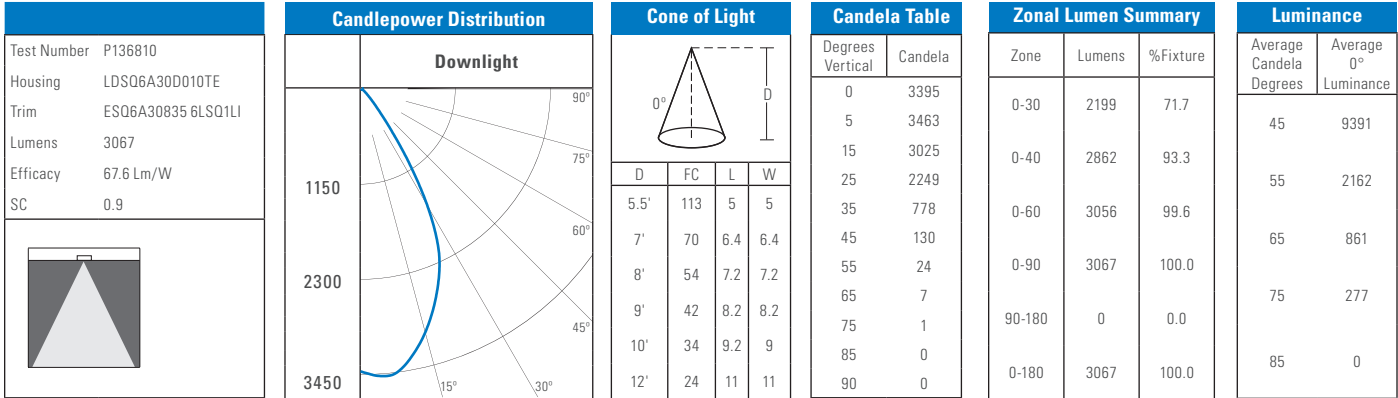
Degrees Vertical	Candela
0	427
5	726
15	1654
25	2420
35	2384
45	1609
55	551
65	108
75	8
85	3
90	0

Zone	Lumens	%Fixture
0-30	694	34.5
0-40	1263	62.7
0-60	1959	97.2
0-90	2015	100
90-180	0	0
0-180	2015	100

Single Unit Footcandles								
2' FROM WALL (Distance From Fixture Along Wall)								
DD	●	1'	2'	3'	4'	5'	6'	
1'	33	13	1	0	0	0	0	
2'	200	103	21	3	1	0	0	
3'	137	90	31	8	2	1	0	
4'	70	53	25	10	4	1	0	
5'	35	29	17	8	4	2	1	
6'	19	16	11	6	4	2	1	
7'	11	10	7	5	3	2	1	
8'	6	6	5	3	2	2	1	
9'	4	4	3	2	2	1	1	
10'	3	3	2	2	1	1	1	

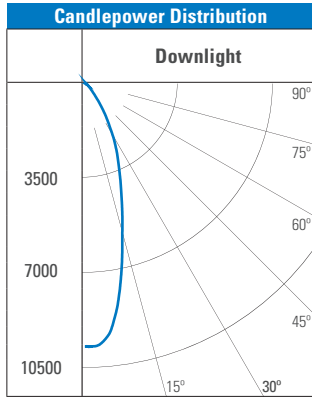
Multiple Unit Footcandles		
3' FROM WALL (Spacing Between Fixtures)		
●	3' apart	●
3	2	3
45	36	45
98	92	98
87	90	87
62	68	62
42	47	42
28	31	28
19	21	19
13	14	13
9	10	9

Photometry – 6-Inch Squares



Photometry – 8-Inch Rounds

Test Number P112471
 Housing LD8A50D010TE
 Trim ER8A50835 8LNOLI
 Lumens 4603
 Efficacy 74 Lm/W
 CCT 3500K
 SC 0.6



Cone of Light

D	FC	L	W
12.5'	64	6	6
15'	45	8	8
20'	25	10	10
24'	17	13	13
28'	13	15	15

Candela Table

Degrees Vertical	Candela
0	10069
5	9738
15	5643
25	2940
35	1045
45	118
55	10
65	11
75	0
85	13
90	0

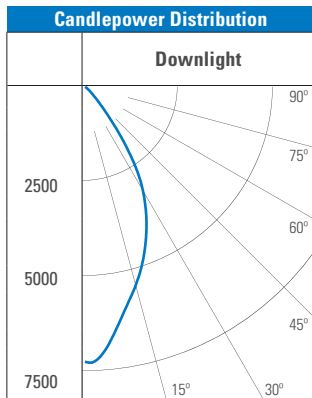
Zonal Lumen Summary

Zone	Lumens	%Fixture
0-30	3785	82
0-40	4441	96
0-60	4567	99
0-90	4603	100
90-180	0	0
0-180	4603	100

Luminance

Average Candela Degrees	Average 0° Luminance
45	5157
55	524
65	812
75	0
85	4430

Test Number P112343
 Housing LD8A50D010TE
 Trim ER8A50835 8LMOLI
 Lumens 4962
 Efficacy 80 Lm/W
 CCT 3500K
 SC 0.8



Cone of Light

D	FC	L	W
12.5'	42	10	10
15'	29	12	12
20'	16	16	16
24'	11	19	19
28'	8	22	22

Candela Table

Degrees Vertical	Candela
0	6445
5	6573
15	5323
25	3488
35	1582
45	316
55	26
65	0
75	1
85	0
90	0

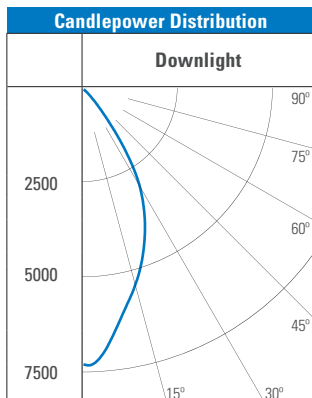
Zonal Lumen Summary

Zone	Lumens	%Fixture
0-30	3598	72
0-40	4641	93
0-60	4952	99
0-90	4962	100
90-180	0	0
0-180	4962	100

Luminance

Average Candela Degrees	Average 0° Luminance
45	13773
55	1421
65	0
75	166
85	0

Test Number P110167
 Housing LD8A50D010TE
 Trim ER8A50835 8LWOLI
 Lumens 5083
 Efficacy 81.9 Lm/W
 CCT 3500K
 SC 1.0



Cone of Light

D	FC	L	W
12.5'	22	15	15
15'	15	18	18
20'	8	24	24
24'	6	29	29
28'	4	34	34

Candela Table

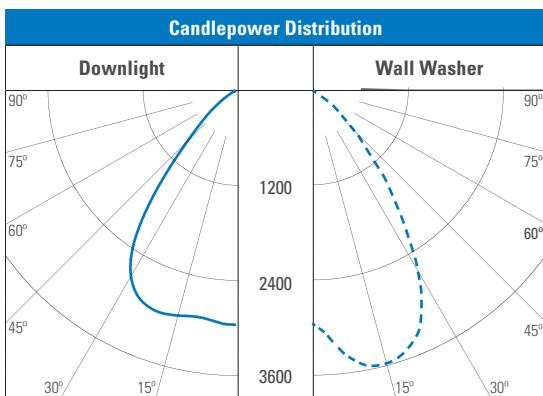
Degrees Vertical	Candela
0	1917
5	1919
15	1983
25	1761
35	1195
45	547
55	113
65	6
75	2
85	0
90	0

Zonal Lumen Summary

Zone	Lumens	%Fixture
0-30	2740	54
0-40	4147	81
0-60	5052	99
0-90	5083	100
90-180	0	0
0-180	5083	100

Luminance

Average Candela Degrees	Average 0° Luminance
45	42170
55	10921
65	1320
75	166
85	0



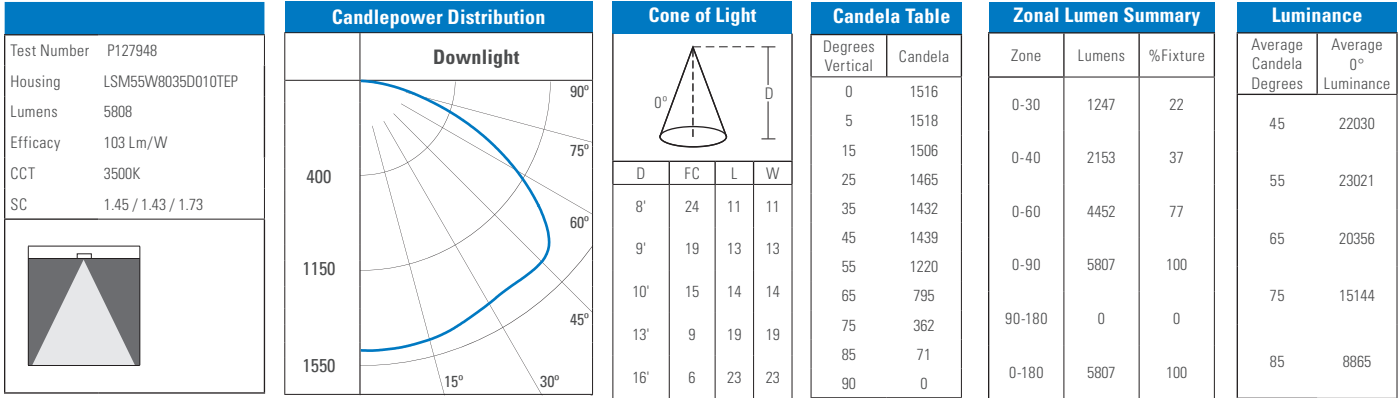
Test Number P112727
 Housing LD8A50D010TE
 Trim ER8A50835 8LMOLI
 Lumens 5035
 CCT 3500K

Lumen	EM Multiplier
900	.44
1300	.65
1800	1.0
2800	1.2

LEGEND:
 0-deg: - - - -
 90-deg: ————

DD	Single Unit Footcandles				Multiple Unit Footcandles											
	3' From Wall (Distance From Fixture Along Wall)				2.5' From Wall (Spacing Between Fixtures)						3' From Wall (Spacing Between Fixtures)					
	1'	2'	3'	4'	2'	3'	4'	5'	6'	7'	2'	3'	4'	5'	6'	7'
1'	1	1	0	0	2	2	2	1	1	1	1	1	1	1	1	1
2'	8	5	2	1	30	32	30	27	18	27	10	11	10	9	7	9
3'	32	25	12	4	79	88	79	66	61	66	44	50	44	36	36	36
4'	43	36	22	10	87	97	87	70	78	70	64	72	64	53	59	53
5'	39	35	25	14	73	80	73	61	70	61	64	69	64	53	60	53
6'	31	29	23	15	54	58	54	47	53	47	54	57	54	46	52	46
7'	23	22	19	14	39	41	39	35	38	35	42	43	42	37	41	37
8'	17	16	14	12	28	29	28	26	28	26	31	32	31	29	31	29
9'	13	12	11	10	21	21	21	20	20	20	24	24	24	22	23	22
10'	10	9	8	8	16	16	16	15	15	15	18	18	18	17	18	17

Photometry – LED Surface Luminaire



Downlight performance										
Lumens	Size	Wattage	Narrow	Narrow LPW	Medium	Medium LPW	Wide	Wide LPW	Square	Square LPW
900	4"	14	994	71	1069	76	1141	82	1049	75
1300	4"	23	1472	64	1558	68	1664	72	1506	65
1800	4"	33	2368	72	2507	76	2572	78	2349	71
2800	4"	45	2662	59	2937	65	3072	68	2771	61
1000	6"	14	1180	84	1228	88	1264	90	1257	90
1500	6"	23	1530	67	1592	69	1638	71	1629	71
2000	6"	33	2409	73	2510	76	2562	78	2539	77
3000	6"	45	2881	63	3014	66	3045	67	3067	68
1000	8"	16	1129	71	1217	76	1247	78	N/A	N/A
1500	8"	25	1674	67	1804	72	1848	74	N/A	N/A
2000	8"	25	1898	76	2046	82	2096	84	N/A	N/A
3000	8"	44	3488	79	3761	85	3852	88	N/A	N/A
4000	8"	58	3729	64	4216	73	4373	75	N/A	N/A
5000	8"	62	4603	74	4962	80	5083	82	N/A	N/A
6000	8"	77	5514	72	5945	77	6090	79	N/A	N/A
6500	8"	84	6190	74	6674	79	6837	81	N/A	N/A
8000	8"	96	7256	76	7822	81	8013	83	N/A	N/A
9000	8"	108	8037	74	8664	80	8876	82	N/A	N/A
10000	8"	126	9063	72	9771	78	10009	79	N/A	N/A
12000	8"	141	10464	74	11281	80	11557	82	N/A	N/A
15000	8"	161	14181	88	15289	95	15662	97	N/A	N/A

Delivered lumens with 80CRI, 35K LED and specular clear reflector



Lamps and Comparisons

Common Lighting Source	Average Delivered Lumens *	Wattage	Luminaire Efficacy	Life (hrs)
Compact Fluorescent				
2-42W Horizontal	3684	93	40 lpw	12000
2-32W Horizontal	2682	69	39 lpw	12000
2-26W Horizontal	1921	55	35 lpw	12000
1-42W Horizontal	1628	48	34 lpw	12000
1-32W Horizontal	1361	36	36 lpw	12000
1-26W Horizontal	1050	29	36 lpw	12000
1-18W Horizontal	650	21	31 lpw	12000
1-42W Vertical	1628	48	34 lpw	12000
1-32W Vertical	1301	36	36 lpw	12000
1-26W Vertical	960	29	33 lpw	12000
1-18W Vertical	570	21	27 lpw	12000
Metal Halide				
100W ED17	3300	115	29 lpw	20000
150W ED17	6480	165	39 lpw	20000
250W ED28	9375	274	34 lpw	15000
70W T6	3550	86	41 lpw	12000
70W PAR30	3040	86	35 lpw	12000
150W PAR38	7917	165	48 lpw	12000
Incandescent				
75W PAR30	820	75	11 lpw	2500
90W PAR38	1126	90	12 lpw	2500
120W PAR38	1729	120	14 lpw	3000
250 PAR38	3096	250	12 lpw	4500
150W A21	2245	150	15 lpw	750
200W A21	2610	200	11 lpw	1000
500W PAR56	6000	500	12 lpw	4000





* Delivered lumens based on mean lumens and typical fixture efficiency in the smallest aperture luminaire. For reference only.











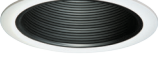

Lumen	EM Multiplier	
	7W	14W
1000	0.47	0.93
1500	0.30	0.61
2000	0.30	0.61
3000	0.17	0.33
4000	0.12	0.24
5000	0.11	0.23
6000	0.09	0.18

Lumen	EM Multiplier	
	7W	14W
6500		0.17
8000		0.15
9000		0.13
10000		0.11
120000		0.09
150000		0.08



Reflector Color and Finishes

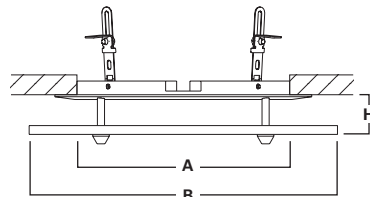
Finish	Description			
White		TRM4P=4" White	TRM6P=6" White	TRM7P=7" White
Chrome (C)		TRM6C=6" Chrome		
Black (MB)		TRM4MB=4" Black	TRM6MB=6" Black	TRM7MB=7" Black
Satin Nickel (SN)		TRM6SN=6" Satin Nickel		

Finish		Multipliers*	Description
Specular Clear (LI)		1.0	Specular clear Alzak finish delivers full light output.
Semi-Specular Clear (H)		.87	Semi-specular clear Alzak finish provides visual identity.
Gold (G)		.90	Champagne Gold specular Alzak finish provides visual warmth.
Warm Haze (WMH)		.86	Semi-specular Alzak finish provides visual identity with a hint of Gold for warmth.
Wheat (WH)		.86	Deep Gold specular Alzak finish adds significant visual warmth.
Wheat Haze (WHH)		.80	Clear, deep Gold semi-specular Alzak finish adds significant visual warmth.
Graphite (GP)		.60	Gun-metal Gray specular Alzak finish shows less dust.
Graphite Haze (GPH)		.57	Graphite with a semi-specular Alzak finish.
Black (B)		.48	Specular Alzak finish provides maximum aperture darkness.
Black Baffle (BB) Polymer trim ring only			
White Baffle (WB) Polymer trim ring only			
Gloss White (W) Polymer trim ring only			

Notes: * Values shown for quick reference. See ies files for output specified fixture type and finish.

6-Inch and 7-Inch Decorative Trims

Anodized Single Ring



Dimensions	A	B	H
6" Trim	6-1/8" [156 mm]	8-3/4" [222 mm]	2-1/4" [57 mm]

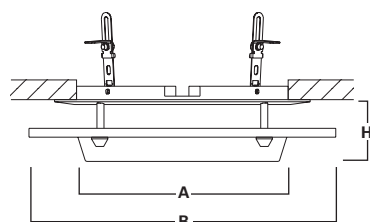
- Decorative anodized single aluminum ring
- 0.09-inch thick with a brushed surface
- Rings anodized to retain appearance over life

Sample Number: DT6RC

Size	Finish
DT6R=6" Single Ring Deco Trim	C=Anodized Clear

Notes: Δ Order trim with polymer trim ring

Glass Funnels



Dimensions	A	B	H
DT6	5-9/16" [141 mm]	8-3/4" [222 mm]	1-15/16" [49 mm]

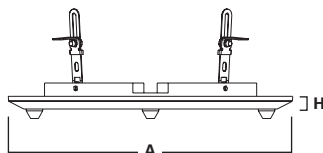
- Decorative glass funnel
- Etched finish on both surfaces to diffuse light and glow
- Crisp edge details provide architectural appearance
- 0.250-inch thick, molded glass funnel

Sample Number: DT7LF0

Size	Style	Color
DT6=6" Deco Trim	LF=Glass Funnel	0=Frosted 1=Cobalt Blue

Notes: Δ Order trim with polymer trim ring

Lensed



Dimensions	A	H
DT6	8-1/8" [206 mm]	3/8" [10 mm]

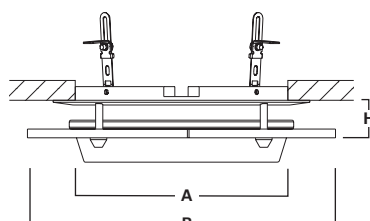
- UL listed for Wet locations
- 0.125-inch thick glass lens
- Upper surface frosted to diffuse the light

Sample Number: DT6L0

Size	Disc
DT6=6" Deco Trim	L0=Frosted Glass

Notes: Δ Order trim with polymer trim ring

Translucent Ring with Funnel



Dimensions	A	B	H
DT6	6" [152 mm]	8-3/4" [222 mm]	1-1/8" [28 mm]

- Glass and acrylic combination
- 0.250-inch thick, molded glass funnel
- Funnel has etched finish on both surfaces to diffuse light and glow
- Surrounding ring is acrylic, 0.250-inch thick
- Upper ring surface frosted to diffuse the light
- Available in a variety of color combinations

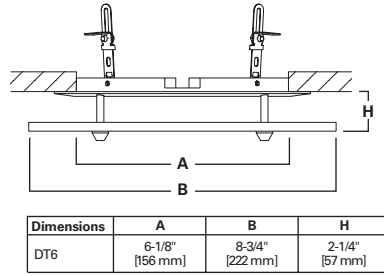
Sample Number: DT6R0F0

Size	Style/Color
DT6=6" Deco Trim	R0F0=Matte with Frosted Funnel R0F1=Matte with Cobalt Blue Glass Funnel R1F0=Cobalt Blue Acrylic with Frosted Funnel R2F0=Aqua Blue Acrylic with Frosted Funnel R2F1=Aqua Blue with Cobalt Blue Glass Funnel R8F0=Red Acrylic with Frosted Funnel R8F1=Red Acrylic with Cobalt Blue Glass Funnel

Notes: Δ Order trim with polymer trim ring

6-Inch and 7-Inch Decorative Trims

Translucent Single Ring



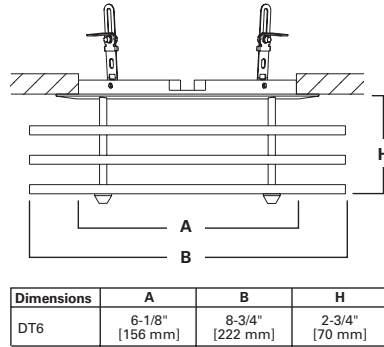
- Single decorative acrylic ring available in a choice of colors
- Ring edge polished for clean look to finished element
- 0.25-inch thick acrylic with frosted upper surface to diffuse light

Sample Number: DT6R0

Size	Color
DT6R=6" Single Ring Deco Trim	0=Matte 1=Cobalt Blue 2=Aqua Blue 8=Ruby Red

Notes: Δ Order trim with polymer trim ring

Translucent Triple Ring



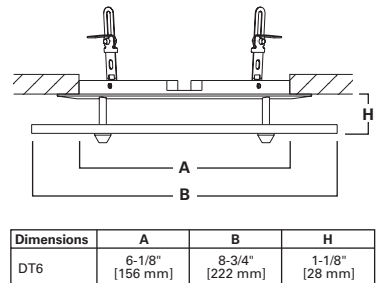
- Decorative triple acrylic ring
- Ring edge polished for clean look to finished element
- 0.25-inch thick acrylic with frosted upper surface to diffuse light

Sample Number: DT63R0

Size	Color
DT63R=6" Triple Ring Deco Trim	0=Matte 2=Aqua Blue Acrylic

Notes: Δ Order trim with polymer trim ring

Frosted Disc



- Cut and polished glass disc
- Etched center diffuses light

Sample Number: DT6DISC

Size	Disc
DT6=6" Deco Trim	DISC=Etched Glass Disc

Notes: Δ Order trim with polymer trim ring

Metal Trim Rings

Metal Trim Rings of .050 die-formed aluminum for recessed fixtures. Provides strength and durability. Not for use with self-flanged reflectors.

	Catalog No.
White	TRM4P=4" White TRM6P=6" White TRM4P=4" Rimless Trim Ring
Black (MB)	TRM4MB=4" Black TRM6MB=6" Black

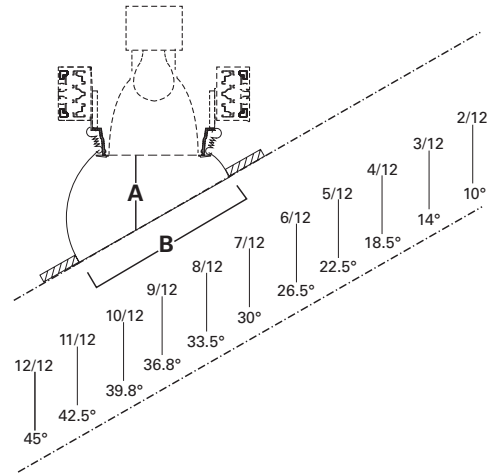
Accessories

Housing Slope Adapter (HSA)

Catalog No. HSA

Aperture	Height Of Plaster Ground 'A'	Ceiling Opening 'B'
4=4" Nominal housings	4-1/6"	10-3/8"
6=6" Nominal housings	4-5/16"	11-5/8"
6=6" Nominal housings for CFL	4-1/8"	11-5/8"
7=7" Nominal housings	4-7/8"	13-1/2"
8=8" Nominal housings	5-11/16"	15-3/4"
9=9" Nominal housings	5-7/16"	15-7/8"

Slope		
05=5°	20=20°	35=35°
10=10°	25=25°	40=40°
15=15°	30=30°	45=45°



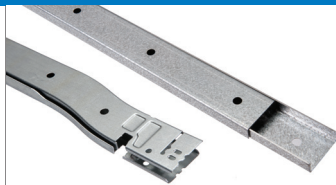
Wood Joist Bar Hangers

Catalog No.	Description
RMB22	22-inch long wood joist mounting bars for use with any recessed fixture with Universal Mounting Brackets.



C-Channel Bar Hangers

Catalog No.	Description
HB26=1-1/2" C-Channel 26" long HB50=1-1/2" C-Channel 50" long	For use with any recessed fixture with Universal Mounting Brackets. (2 per set)



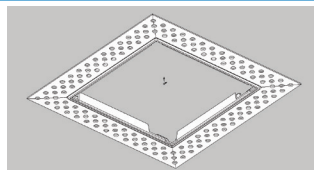
Adapter Band Rings

Catalog No.	Description
ABR6P=Remodel Adapter Ring for 7" OD ABR7P=Remodel Adapter Ring for 8" OD ABR8P=Remodel Adapter Ring for 9" OD ABR10P=Remodel Adapter Ring for 11" OD	Adapter band ring for LED remodelers and retrofit kits.



Plaster Lathing Ring

Catalog No.	Description
4SQPR=Plaster Lathing Ring	Plaster lathing ring for 4-inch square housings.



Shaper Farallon LED Recessed Glass Luminaires



Farallon LED Recessed Glass Luminaires

340 Series LED Decorative Downlights



340 Series LED Decorative Downlights feature 4-inch and 6-inch Portfolio Downlights with twelve Farallon decorative glass options, two light output choices and standard 0-10V dimming. Fixtures are designed for New Construction and utilize outer Cylindrical or Splayed Borosilicate Glass* available in various combinations of Clear and Frosted finishes, or with Shaper's exclusive sand-blasted patterns. The bottom edge of each glass trim is ground and polished to a beautiful finish. Optional inner Fluted Cylindrical Borosilicate Glass* is also available in Frosted or Clear finish.



Cylindrical Frosted (CYF)



Cylindrical Clear (CYC)



Cylindrical Frosted - Catenary (CYF-CTY)



Cylindrical Frosted - Crossette (CYF-CRT)



Glass-in-a-Glass - Frosted Inside, Frosted Outside (GIG-FIFO)



No Visible Mechanical Attachment!



Cylindrical Frosted - Quadrate (CYF-QDE)



Glass-in-a-Glass - Clear Inside, Clear Outside (GIG-CICO)



Cylindrical Frosted - Spangle (CYF-SGL)



Glass-in-a-Glass - Frosted Inside, Clear Outside (GIG-FICO)



Splayed Glass Clear (SGPC)



Splayed Glass Frosted (SGPF)



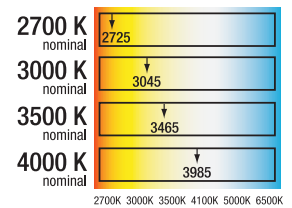
Cylindrical Frosted - Division (CYF-DVN)

Farallon LED Recessed Glass Luminaires

Features and Benefits

- Delivered lumens ranging from 900 to 1500
- Available in 2700K, 3000K, 3500K, or 4000K
- 80 or 90 CRI (90 CRI available on special request)
- Color variation within 3-step MacAdam ellipses
- Two-stage reflector system produces smooth beam
- Flexible disconnect for easy LED engine replacement and installation
- Extruded aluminum heat sink
- LED life testing completed in accordance with LM 80 standards
- Glass has tool-less installation
- 5 year warranty

*Borosilicate Glass contains 5% or more of B2O3 . This component creates a low coefficient of expansion in the glass, making it highly resistant to heat and shock and ideal for downlighting application.



Ordering Information:

Order New Construction Housing separately

Sample Number: 340-6-DL-LED835/1/18-120V-SCSF-ERW6-SGPC-DMR7

Series	LED	Voltage	Finish/Power Module	Glass Options	Control
340-4-DL=Recessed 4" Dowlinght	LED827/1/14=80CRI, 2700K, 900/1000 Lumens LED827/1/18=80CRI, 2700K, 1300/1500 Lumens	UNV – (120-277V)	SCSF-ERW4=4" Module for Wide Beam, Semi Specular Clear Self-Flanged Reflector	SGPC=Splayed Glass, Polished-Clear Series SGPF=Splayed Glass, Polished-Frosted CYC=Cylindrical Glass, Polished-Clear CYF=Cylindrical Glass, Polished-Frosted CYF-DVN=Cylindrical Glass, Polished-Frosted Division CYF-QDE=Cylindrical Glass, Polished-Frosted Quadrate CYF-CRT=Cylindrical Glass, Polished-Frosted Crossette CYF-CTY=Cylindrical Glass, Polished Frosted Catenary CYF-SGL=Cylindrical Glass, Polished-Frosted Spangle GIG-FIFO=Glass-in-a-Glass, Polished-Frosted Inside, Frosted Outside GIG-FICO=Glass-in-a-Glass, Polished-Frosted Inside, Clear Outside GIG-CICO=Glass-in-a-Glass, Polished-Clear Inside, Clear Outside	DMR7=0-10V dimming with Optional TE Trailing Edge wiring DML=Lutron dimming
340-6-DL=Recessed 6" Dowlinght	LED827/1/25HO=80CRI, 80CRI, 3000K, 1800/2000 Lumens LED830/1/14=80CRI, 2700K, 900/1000 Lumens LED830/1/18=80CRI, 2700K, 1300/1500 Lumens LED830/1/25HO=80CRI, 80CRI, 3000K, 1800/2000 Lumens LED835/1/14=80CRI, 2700K, 900/1000 Lumens LED835/1/18=80CRI, 2700K, 1300/1500 Lumens LED835/1/25HO=80CRI, 80CRI, 3000K, 1800/2000 Lumens LED840/1/14=80CRI, 2700K, 900/1000 Lumens LED840/1/18=80CRI, 2700K, 1300/1500 Lumens LED840/1/25HO=80CRI, 80CRI, 3000K, 1800/2000 Lumens				
	Notes: For 90 CRI, contact factory. All options above for 80 CRI.		Notes: Trim and Power modules available only in Wide Distribution.		

Index

PRODUCT	PAGE
4-INCH LED ADJUSTABLE DOWNLIGHT	9-10
4-INCH LED DOWNLIGHT	5-6
4-INCH ROUND PHOTOMETRY	34
4-INCH SQUARE ADJUSTABLE DOWNLIGHT	11-12
4-INCH SQUARE LED DOWNLIGHT	7-8
6-INCH AND 7-INCH DECORATIVE TRIMS	48-49
6-INCH LED ADJUSTABLE DOWNLIGHT	15-16
6-INCH LED CYLINDERS	25-26
6-INCH LED DOWNLIGHT	13-14
6-INCH LED RETROFIT	17-18
6-INCH SQUARE LED DOWNLIGHT	19-20
8-INCH LED CYLINDERS	27-28
8-INCH LED DOWNLIGHT	21-22
8-INCH LED RETROFIT	23-24
ACCESSORIES	50
LAMPS AND COMPARISONS	46
LED SURFACE LUMINAIRE	31-32
PHOTOMETRY - 4-INCH ADJUSTABLE	35-36
PHOTOMETRY - 4-INCH SQUARE	37
PHOTOMETRY - 4-INCH SQUARE ADJUSTABLE	38-39
PHOTOMETRY - 6-INCH ADJUSTABLE	41-42
PHOTOMETRY - 6-INCH ROUND	40
PHOTOMETRY - 6-INCH SQUARE	43
PHOTOMETRY - 8-INCH ROUND	44
PHOTOMETRY - LED SURFACE LUMINAIRE	45
REFLECTOR COLOR AND FINISHES	47
SHAPER FARALLON LED RECESSED GLASS LUMINAIRES	51-53

**Our Lighting
Product Lines**

Halo
Halo Commercial
Portfolio
Iris
RSA
Metalux
Corelite
Neo-Ray
Fail-Safe
MWS
Ametrix
Shaper
io
Lumark
McGraw-Edison
Invue
Lumière
Streetworks
AtLite
Sure-Lites

**Our Controls
Product Lines**

Greengate
iLumin
Zero 88
Fifth Light Technology
iLight (International Only)

Image Credits:

Cover: Lighting Design: Cooley Monato Studio, New York, NY
Photography: Don Wong Photo, Inc.

Page 3: Lighting Design: GWA Lighting, Narberth, PA
Photography: Ryan Linton

Eaton
1121 Highway 74 South
Peachtree City, GA 30269
P: 770-486-4800
www.eaton.com/lighting

Canada Sales
5925 McLaughlin Road
Mississauga, Ontario L5R 1B8
P: 905-501-3000
F: 905-501-3172



© 2016 Eaton
All Rights Reserved
Printed in USA
Publication No. BR520003EN
February 2016

Eaton is a registered trademark.

All other trademarks are property
of their respective owners.

Product availability, specifications,
and compliances are subject to
change without notice.