

**INSTALLATION INSTRUCTIONS**

**IMPORTANT: READ BEFORE INSTALLING FIXTURE.**  
**RETAIN FOR FUTURE REFERENCE.**



**SAFETY:** This fixture must be wired in accordance with the National Electrical Code and applicable local codes and ordinances. Proper grounding is required to insure personal safety. Carefully observe grounding procedure under installation section.

**WARNING:** Make certain power is OFF before starting installation or attempting any maintenance. Risk of fire/electric shock. If not qualified, consult an electrician.

- RISK OF ELECTRIC SHOCK—Disconnect power at fuse or circuit breaker before installing or servicing.
- RISK OF BURN—Disconnect power and allow fixture to cool before servicing.
- RISK OF PERSONAL INJURY—Fixture may become damaged and/or unstable if not installed properly. Tighten all fixture components to their recommended torque values.

**WARNING: Make certain power is OFF before starting installation or attempting any maintenance.**

**APPLICATION:** Quadcast luminaires are designed for outdoor, wet location use not to exceed 40°C ambient. Approved for ceiling/surface, parking garage, canopy, stairwell, low bay and rigid and free swing pendant applications.

**NOTE:** DO NOT REMOVE LED OPTICAL PANELS, WET LOCATION GROMMETS, OR FLEXIBLE CORD GLANDS.

**TOOLS REQUIRED:**

Phillips tip screwdriver, electrical wiring tools, 9/64" Allen® Head Key, wet location UL Listed wiring connectors, UL Listed wet location junction box (For pendant mount applications).

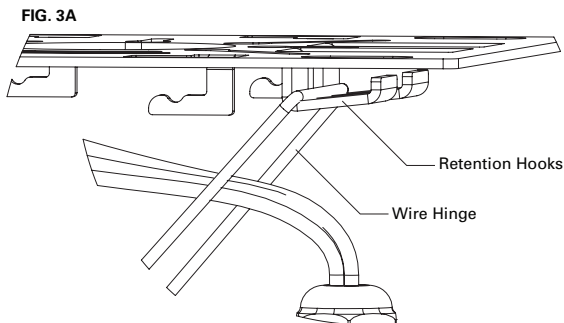
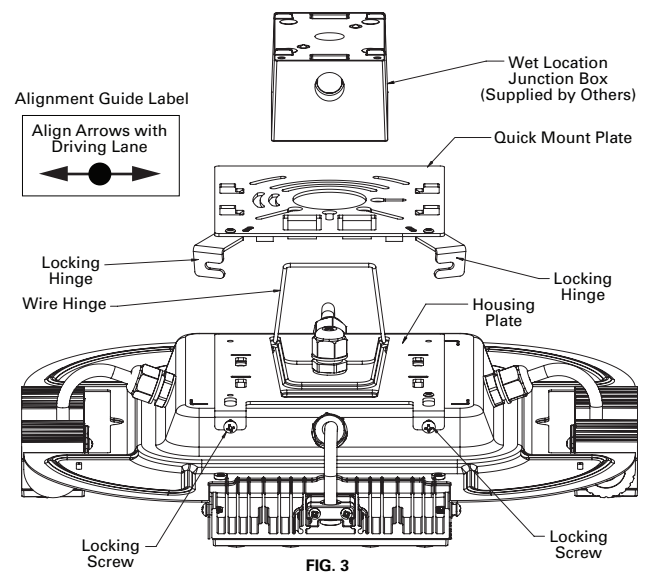
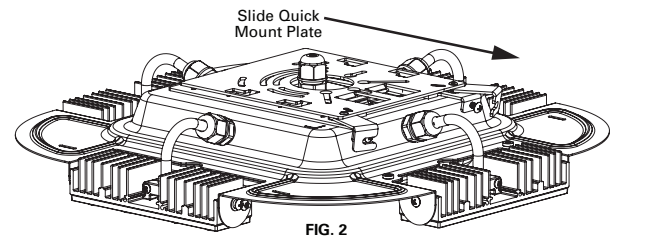
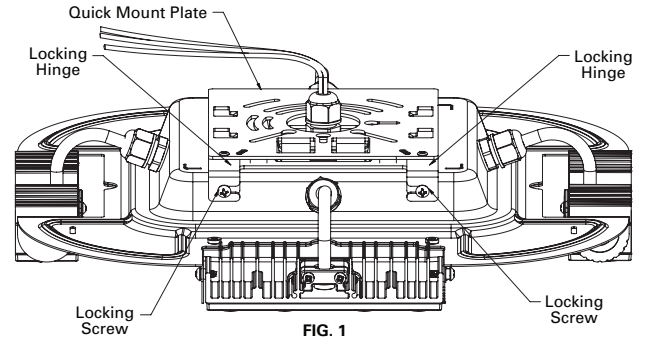
**ALIGNMENT GUIDE (PARKING GARAGE INSTALLATION):**

Align quick mount plate to junction box by aligning arrows with parking garage driving lanes (FIG. 3). Direction of arrows should be in line with direction of traffic.

**CEILING/JUNCTION BOX INSTALLATION:**

1. Loosen (do not remove) the two locking screws (FIG. 1). Pivot both locking hinges out to the left/right sides until they stop.
2. Slide quick mount plate forward until the plate disengages from the housing (FIG. 2).
3. Unhook quick mount plate from the wire hinge (FIG. 3).
4. Install the quick mount plate onto a wet location junction box (SUPPLIED BY OTHERS) using the hardware supplied (#8-32x3/4" or #6-32x3/4" screws). See alignment guide above and the alignment arrows on the quick mount plate label. (FIG. 3).
5. Hang the luminaire to the quick mount plate by the wire hinge (FIG. 3A).

**CAUTION: PLEASE ENSURE WIRE HINGE IS SEATED WITHIN BOTH OF THE QUICK MOUNT PLATE RETENTION HOOKS. FAILURE TO DO SO MAY RESULT IN PERSONAL INJURY OR PROPERTY DAMAGE.**



—continued

These instructions do not claim to cover all details or variations in the equipment, procedure, or process described, nor to provide directions for meeting every possible contingency during installation, operation or maintenance. When additional information is desired to satisfy a problem not covered sufficiently for user's purpose, please contact your nearest representative. **NOTE:** Specifications and dimensions subject to change without notice.

**INSTALLATION INSTRUCTIONS**

**IMPORTANT: READ BEFORE INSTALLING FIXTURE.  
RETAIN FOR FUTURE REFERENCE.**

**WARNING: Make certain power is OFF before starting installation or attempting any maintenance.**

Make electrical connections (FIG. 4).

**NOTE:** ENSURE WIRING IS CENTERED THROUGH WIRE HINGE.

- a. Connect supply side line voltage wire to black lead.
- b. Connect supply side neutral wire to white lead.
- c. Connect supply side ground wire to green lead.

**NOTE:** INSTALLER MUST USE UL LISTED WET LOCATION APPROVED WIRING CONNECTIONS INSIDE UL LISTED WET LOCATION JUNCTION BOX (SUPPLIED BY OTHERS).

- 6. After electrical connections are made, push the wire splices through the center hole of the quick mount plate. Swing and lift the luminaire into position while maintaining tension on wire hinge. FAILURE TO MAINTAIN TENSION MAY RESULT IN THE WIRE HINGE BECOMING DISLODGED. The metal tabs on the quick mount plate will align with openings in the housing plate. With luminaire lifted in place, slide the luminaire in the direction of the locking hinges. A “click” sound will occur when the luminaire is fully seated.
- 7. Pivot both locking hinges back into place and tighten locking screws to 10 inch-pounds (FIG. 5).

**RIGID OR FREE-SWING PENDANT INSTALLATION:**

- 1. Install UL Listed wet location junction box (SUPPLIED BY OTHERS) to pendant pipe (SUPPLIED BY OTHERS) and run supply wires down through pendant pipe and into wet location junction box (Per NEC Guidelines).
- 2. Refer to CEILING/JUNCTION BOX INSTALLATION steps above to install.

**LED OPTICAL ROTATION (FIG. 6)**

The LED optical panels can be rotated to provide a range of lighting distributions.

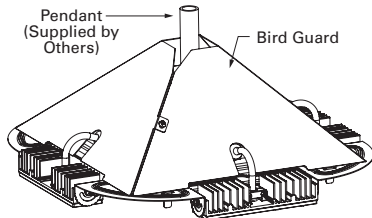
- 1. Loosen the 9/64" Allen Head set screw to allow rotation of the LED optical panel to the desired position.
- 2. Tighten set screw to 15 inch-pounds once desired angle is achieved.

**MAINTENANCE**

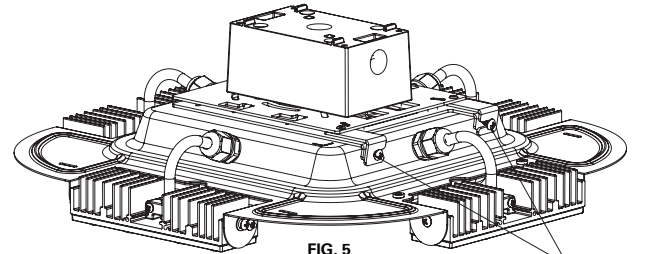
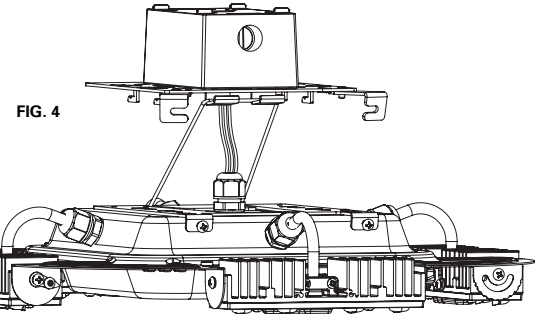
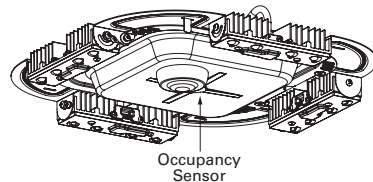
A regular maintenance schedule should be followed to retain optimal light output and thermal performance. Optical lens cleaning should be performed with a clean dry cloth to remove any dust or other contaminants. Additional cleaning can be performed with non-abrasive acrylic cleaning solution.

**OPTIONAL FIELD INSTALLED ACCESSORIES (ORDER SEPARATELY)**

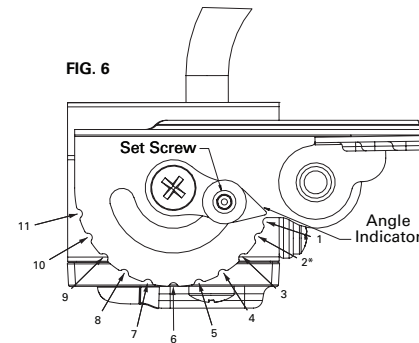
**PENDANT BIRD GUARD (QDPBG)**



**OCCUPANCY SENSOR (QDOCC)**



Locking Screws



Location	Angle of Degrees	Location	Angle of Degrees
Factory Pre-set*	15°	6	75°
1	5°	7	90°
2	15°	8	105°
3	30°	9	120°
4	45°	10	135°
5	60°	11	150°

These instructions do not claim to cover all details or variations in the equipment, procedure, or process described, nor to provide directions for meeting every possible contingency during installation, operation or maintenance. When additional information is desired to satisfy a problem not covered sufficiently for user's purpose, please contact your nearest representative. **NOTE:** Specifications and dimensions subject to change without notice.