

DESCRIPTION

The Woodbridge LED integrates energy saving LED technology with a proven post-top design.

| | | |
|--------------------|--|-------------|
| Catalog # | | Type |
| Project | | |
| Comments | | Date |
| Prepared by | | |

SPECIFICATION FEATURES

Construction

HOUSING + TOP: Die-cast aluminum housing with spun and stamped aluminum top. Overcenter latch for relamping and ballast power module access. Top is completely removable without the use of tools. Standard color is grey. Other finish colors available; consult your Streetworks representative. ANSI wattage/ source label.

Optical

Injection molded acrylic refractor available in symmetric or

asymmetric distributions. 4000K (+/- 275K) CCT. Minimum 70 CRI standard.

Electrical

120-277V 50/60Hz operation. 10kV /10kA common- and differential mode surge protection standard. Thermal management transfers heat rapidly away from the LED source for optimal efficiency and light output. Ambient operating temperature from -40°C to 40°C. Standard three-position tunnel type compression terminal block. 90% lumen maintenance expected at

60,000 hours. Light square is IP66 enclosure rated.

Mounting

Post top mount fits 3" O.D. tenons. Secured by square head 3/8" stainless steel mounting bolts.

Warranty

Five-year warranty.

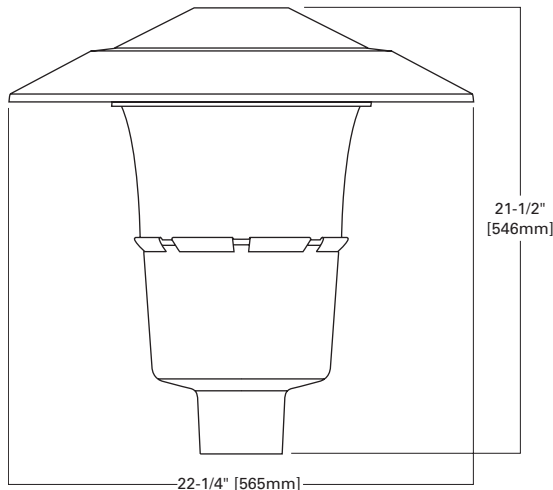


MPW WOODBIDGE LED

LED

DECORATIVE POST TOP
LUMINAIRE

DIMENSIONS



LUMEN MAINTENANCE

| Ambient Temperature | TM-21 Lumen Maintenance (60,000 Hours) | Theoretical L70 (Hours) |
|---------------------|--|-------------------------|
| 40°C | >90% | >250,000 |

POWER AND LUMENS

| Luminaire Wattage (Nominal) | | 53W |
|-----------------------------|------------|-------|
| SYM | Lumens | 3,323 |
| | BUG Rating | 1-3-2 |
| ASYM | Lumens | 3,129 |
| | BUG Rating | 1-3-2 |

ORDERING INFORMATION

Sample Number: MPW-AC-LED-D-U-SYM-4-AP

| Product Family ¹ | Light Engine | Driver | Voltage | Distribution | Options (Add as Suffix) |
|-----------------------------|------------------------|---|-------------------------|----------------------------------|---|
| MPW=Woodbridge | AC-LED=AC Light Square | E=Non-Dimming D=Dimming ² | U=Universal 120-277V | SYM=Symmetric ASYM=Asymmetric | 7030 =70 CRI / 3000K ³ 7060 =70 CRI / 6000K ³ 4=NEMA Photocontrol Receptacle 4N7 =NEMA 7-PIN Photocontrol Receptacle (Internal Mount) ^{4,5} 4N7E =NEMA 7-PIN Photocontrol Receptacle (External Top Mount) ⁵ AP=Grey BK=Black BZ=Bronze WH=White |

NOTES:

- Customer is responsible for engineering analysis to confirm pole and fixture compatibility for all applications. Refer to our white paper WP513001EN for additional support information.
- Must specify 4N7 or 4N7E option.
- Consult factory for lead times and lumen multipliers.
- Total height of photocontrol/node cannot exceed 4-9/32".
- Must specify dimming driver.

EPA

Effective Projected Area:
1.7 Square Feet

SHIPPING DATA

Approximate Net Weight:
34 lbs. (14 kgs.)