

MAXRACK OPEN FRAME SYSTEM



FEATURES

- Rack can be assembled to accommodate either 19- or 23-in. rack equipment
- Racks can be ganged to create rows for high density applications
- 19-in. configuration equals typical tile width of 24 in.
- Flat package to allow easy shipping and handling to job site
- Press-in nuts enable single-side easy assembly
- All structural members are grounded by special grounding and bonding washers
- Top has integrated waterfall, which ensures proper cable radius is achieved
- Top and top bracket support accommodate parallel or perpendicular ladder or basket tray mounting applications
- Channel uprights provided with hole patterns to support various cable management devices
- All RU positions marked with white lettering on front and rear column members
- Easy-to-follow complete installation instructions included
- Upright channels tapped 12-24 holes per EIA Universal pattern standards
- Multiple paint-free grounding points per UL double-lugged standards
- Rack accommodates vertical cable manager accessories

INDUSTRY STANDARDS

UL 2416 Listed; File Number E230874
cUL Listed per CSA C22.2 No. 182.4; File No. E230874

Cisco developer registered
EIA 310-D

APPLICATION

MAXRACK is used for mounting and securing 19- or 23-in. rack equipment that is used in network, server, and telecommunication rooms. These open frame racks are ideal for high-density cabling applications. MAXRACK also supports the cabling and cooling needs of large core switches (CISCO Catalyst 6509 / 6513, NEXUS 7010 and NEXUS 7018) by using the combination air baffle/vertical cable manager accessory. MAXRACK, with its vast features, supports many diverse applications.

SPECIFICATIONS

- Top and uprights made of multi-formed .125-in. aluminum
- Base angles made of extruded aluminum
- White RU-marked uprights per EIA standards
- Tapped 12-24 holes per EIA Universal pattern standards

LOAD RATING

Static maximum load is 2500 lbs/1134 kg.

ACCESSORIES

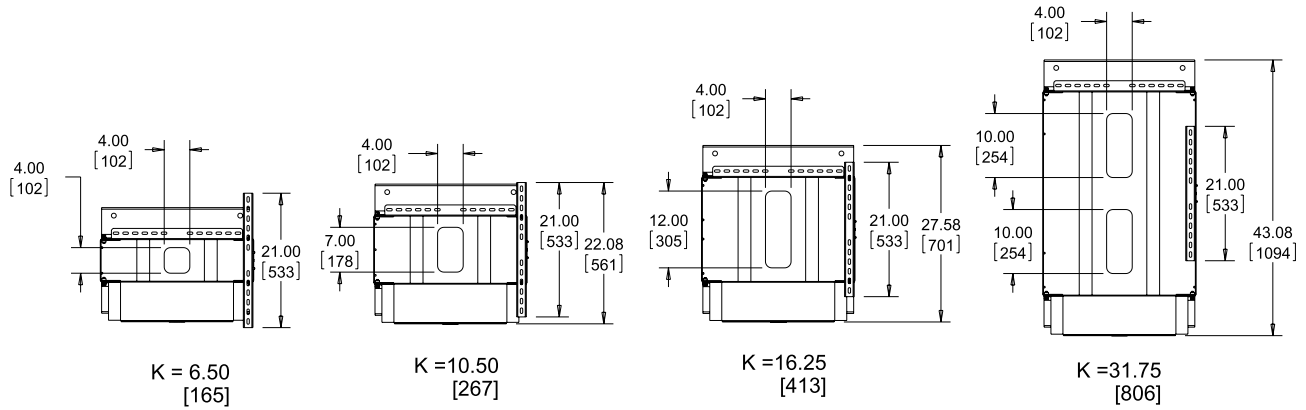
Vertical Cable Managers
Blanking Panels
Grounding kits
PDUs
Shelves

BULLETIN: DMAX

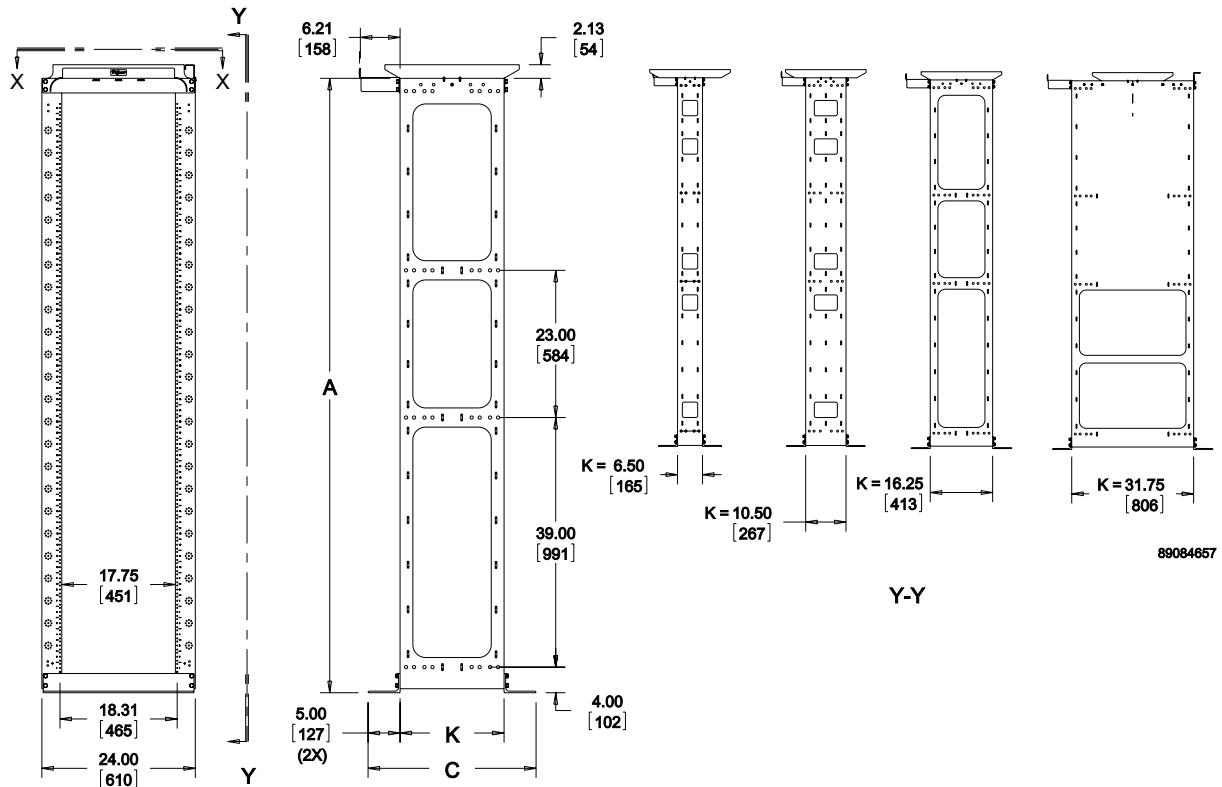
Standard Product MAXRACK Open Frame System

Catalog Number	AxBxC in.	AxBxC mm	Rack Units	G (in.)	G (mm)	K (in.)	K (mm)
M846B45	86.13 x 24.00 x 16.50	2188 x 610 x 419	45	14.00	356	6.50	165
M8410B45	86.13 x 24.00 x 20.50	2188 x 610 x 521	45	18.00	457	10.50	267
M8416B45	86.13 x 24.00 x 26.25	2188 x 610 x 667	45	23.75	603	16.25	413
M8432B45	86.13 x 24.00 x 41.75	2188 x 610 x 1060	45	39.25	997	31.75	806
M966B51	98.13 x 24.00 x 16.50	2493 x 610 x 419	51	14.00	356	6.50	165
M9610B51	98.13 x 24.00 x 20.50	2493 x 610 x 521	51	18.00	457	10.50	267
M9616B51	98.13 x 24.00 x 26.25	2493 x 610 x 667	51	23.75	603	16.25	413
M9632B51	98.13 x 24.00 x 41.75	2493 x 610 x 1060	51	39.25	997	31.75	806

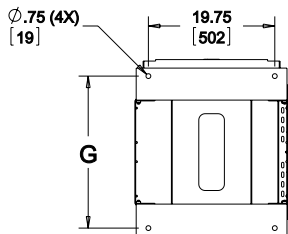




X-X



Y-Y

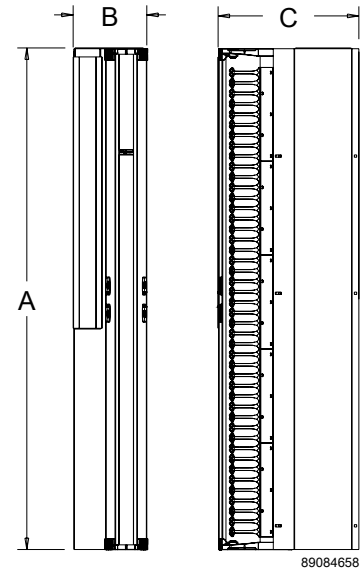


MAXRACK AIR BAFFLE AND CABLE MANAGERS FOR CISCO SWITCH

MAXRACK Air baffle and Vertical Cable Manager accessory kits ensure CISCO switch compliance. Managers provide the required cold air access and provisions for high-density cabling. Baffles and cable manager uprights made of aluminum; supporting fingers made of composite. Finish is RAL 9005 black light-textured, low-gloss polyester powder paint.

Cisco developer registered.

BULLETIN: DMAX



Standard Product **MAXRACK Air Baffle and Cable Managers for CISCO Switch**

Catalog Number	AxBxC in./mm	Use with CISCO Switch	Use with MAXRACK
M84D12	84.13 x 12.00 x 23.68 2137 x 305 x 601	Catalyst 6509/6513	M8416B45
M84D18	84.13 x 18.00 x 39.37 2137 x 457 x 1000	NEXUS 7018	M8432B45
M96D12	96.13 x 12.00 x 23.68 2442 x 305 x 601	Catalyst 6509/6513	M9616B51
M96D18	96.13 x 18.00 x 39.37 2442 x 457 x 1000	NEXUS 7018	M9632B51

MAXRACK DUST COVER



Dust Cover fits over the top of the base angles, inside the uprights. Covers are made of aluminum with matching RAL 9005 black light-textured, low-gloss polyester powder paint.

BULLETIN: DMAX

Standard Product **MAXRACK Dust Cover**

Catalog Number	AxBxC in./mm	MAXRACK C dimension
MDC6	1.00 x 17.95 x 7.33 25 x 456 x 186	16.50 (419 mm)
MDC10	1.00 x 17.95 x 11.33 25 x 456 x 288	20.50 (521 mm)
MDC16	1.00 x 17.95 x 17.08 25 x 456 x 434	26.25 (667 mm)
MDC32	1.00 x 17.95 x 32.58 25 x 456 x 828	41.75 (1060 mm)

MAXRACK HARDWARE KIT

Kit consists of (20) 12-24 x .625 pilot point screws; (16) 3/8-16 x .88 hex head bolts; (16) M10 grounding washers; (16) 3/8 flanged nuts; and (1) Mx12 flat head screw.

BULLETIN: DMAX

Standard Product

Catalog Number	Description
MAXKIT	MAXRACK hardware kit

MAXRACK ISOLATION KIT

Kit consists of (2) isolator bases and (4) nylon bushings.

BULLETIN: DMAX

Standard Product

Catalog Number	Description
MSOK	MAXRACK Isolation Kit