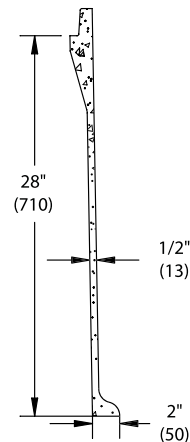
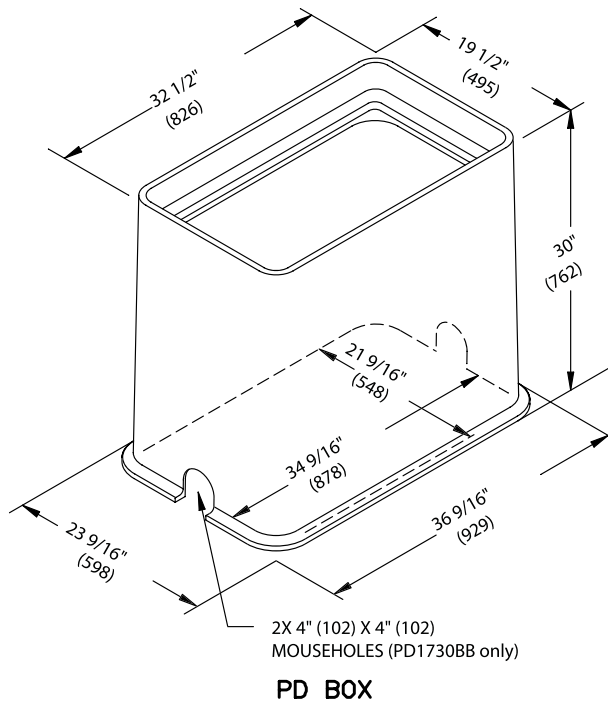
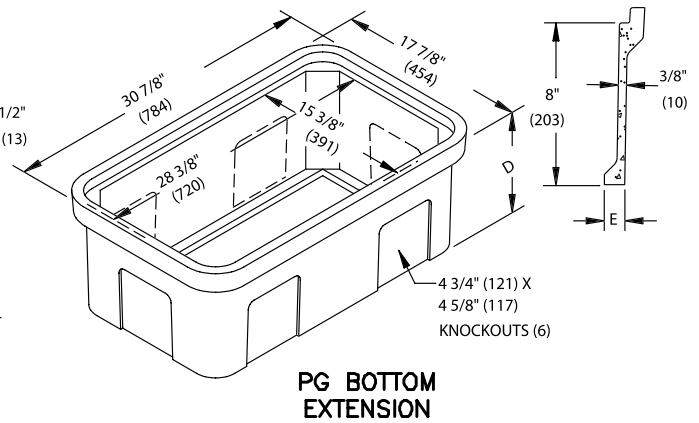
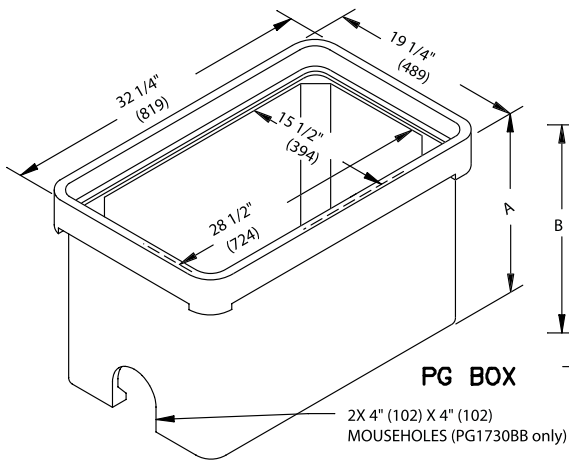
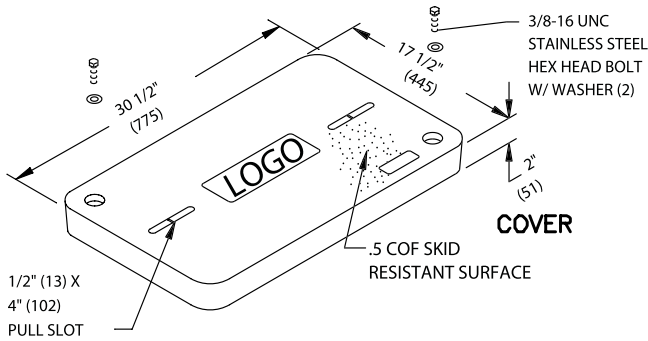


SPECIFICATIONS/DATA

17" x 30" PG Style (Stackable) Assembly
 17" x 30" PD Style (Nestable) Assembly



ENCLOSURE DRAWINGS

SPECIFICATIONS/DATA

17" x 30" PG Style (Stackable) Assembly
17" x 30" PD Style (Nestable) Assembly

Covers (Blank unless logo is specified)

DESCRIPTION	PART NO.	WEIGHT #	DESIGN/TEST LOAD #	ANSI TIER
W/2 Bolts	PG1730CA00	52 (23.6 kg)	8,000 / 12,000	8
Gasketed w/2 Bolts	PG1730CG00	52 (23.6 kg)	8,000 / 12,000	8
No Bolts	PG 1730WA00	52 (23.6 kg)	8,000 / 12,000	8
Heavy Duty w/2 Bolts	PG1730HA00	83 (37.6 kg)	15,000 / 22,500	15
Gasketed Heavy Duty w/2 Bolts	PG1730HG00	83 (37.6 kg)	15,000 / 22,500	15
Extra Heavy Duty w/2 Bolts	PG1730HH00	85 (38.6 kg)	22,500 / 33,750	15*

- Covers with meter lids available upon request.
- Gasketed covers and bolt grommets must be used with a gasketed box. Gaskets reduce the inflow of fluids but do not make the enclosure water tight.
- * Loadings for HH covers comply with all test provisions of ANSI/SCTE 77 except that the vertical design load is 22,500 lbs. with a test load of 33,750 lbs. over a 10" x 20" plate.

PG Boxes (Stackable with self-aligning, replaceable EZ Nut) *22" - 30" deep boxes must be used as bottom of any stack

DESCRIPTION	PART NO.	WEIGHT #	DIMENSION A	DIMENSION B	DIMENSION C	DESIGN/TEST LOAD #	ANSI TIER
Open Bottom	PG1730BA12	67 (30.4 kg)	12" (305 mm)	10" (254 mm)	1 1/4" (32 mm)	22,500 / 33,750	15**
	PG1730BA18	94 (42.6 kg)	18" (457 mm)	16" (406 mm)	1 1/4" (32 mm)	22,500 / 33,750	15**
	* PG1730BA22	106 (48.1 kg)	22" (559 mm)	20" (508 mm)	1 1/4" (32 mm)	22,500 / 33,750	15**
	* PG1730BA24	122 (55.3 kg)	24" (610 mm)	22" (559 mm)	1 1/4" (32 mm)	22,500 / 33,750	15**
	* PG1730BA28	126 (57.2 kg)	28" (711 mm)	26" (660 mm)	1/2" (13 mm)	22,500 / 33,750	15**
	* PG1730BA30	144 (65.3 kg)	30" (762 mm)	28" (711 mm)	1/2" (13 mm)	22,500 / 33,750	15**
Open Bottom w/ Gasket	PG1730BG12	67 (30.4 kg)	12" (305 mm)	10" (254 mm)	1 1/4" (32 mm)	22,500 / 33,750	15**
	PG1730BG18	94 (42.6 kg)	18" (457 mm)	16" (406 mm)	1 1/4" (32 mm)	22,500 / 33,750	15**
	* PG1730BG22	106 (48.1 kg)	22" (559 mm)	20" (508 mm)	1 1/4" (32 mm)	22,500 / 33,750	15**
	* PG1730BG24	122 (55.3 kg)	24" (610 mm)	22" (559 mm)	1 1/4" (32 mm)	22,500 / 33,750	15**
	* PG1730BG28	126 (57.2 kg)	28" (711 mm)	26" (660 mm)	1/2" (13 mm)	22,500 / 33,750	15**
	* PG1730BG30	144 (65.3 kg)	30" (762 mm)	28" (711 mm)	1/2" (13 mm)	22,500 / 33,750	15**
Open Bottom w/ 2 Mouseholes	PG1730BB12	65 (29.5 kg)	12" (305 mm)	10" (254 mm)	1 1/4" (32 mm)	22,500 / 33,750	15**
	PG1730BB18	92 (41.7 kg)	18" (457 mm)	16" (406 mm)	1 1/4" (32 mm)	22,500 / 33,750	15**
	* PG1730BB22	104 (47.2 kg)	22" (559 mm)	20" (508 mm)	1 1/4" (32 mm)	22,500 / 33,750	15**
	* PG1730BB24	120 (54.4 kg)	24" (610 mm)	22" (559 mm)	1 1/4" (32 mm)	22,500 / 33,750	15**
	* PG1730BB28	124 (56.2 kg)	28" (711 mm)	26" (660 mm)	1/2" (13 mm)	22,500 / 33,750	15**
	* PG1730BB30	142 (64.4 kg)	30" (762 mm)	28" (711 mm)	1/2" (13 mm)	22,500 / 33,750	15**
Solid Bottom	PG1730DA12	85 (38.5 kg)	12 1/2" (318 mm)	10" (254 mm)	N/A	22,500 / 33,750	15**
	PG1730DA18	112 (50.8 kg)	18 1/2" (470 mm)	16" (406 mm)	N/A	22,500 / 33,750	15**
	* PG1730DA22	124 (56.2 kg)	22 1/2" (572 mm)	20" (508 mm)	N/A	22,500 / 33,750	15**
	* PG1730DA24	137 (62.0 kg)	24 1/2" (622 mm)	22" (559 mm)	N/A	22,500 / 33,750	15**
	* PG1730DA28	143 (64.9 kg)	28 1/2" (724 mm)	26" (660 mm)	N/A	22,500 / 33,750	15**
	* PG1730DA30	150 (68.0 kg)	30 1/2" (775 mm)	28" (711 mm)	N/A	22,500 / 33,750	15**
Solid Bottom w/ Gasket	PG1730DG12	85 (38.5 kg)	12 1/2" (318 mm)	10" (254 mm)	N/A	22,500 / 33,750	15**
	PG1730DG18	112 (50.8 kg)	18 1/2" (470 mm)	16" (406 mm)	N/A	22,500 / 33,750	15**
	* PG1730DG22	124 (56.2 kg)	22 1/2" (572 mm)	20" (508 mm)	N/A	22,500 / 33,750	15**
	* PG1730DG24	137 (62.0 kg)	24 1/2" (622 mm)	22" (559 mm)	N/A	22,500 / 33,750	15**
	* PG1730DG28	143 (64.9 kg)	28 1/2" (724 mm)	26" (660 mm)	N/A	22,500 / 33,750	15**
	* PG1730DG30	150 (68.0 kg)	30 1/2" (775 mm)	28" (711 mm)	N/A	22,500 / 33,750	15**

PD Boxes (Nestable)

DESCRIPTION	PART NO.	WEIGHT #	DESIGN/TEST LOAD #	ANSI TIER
Open Bottom	PD1730BA30	186 (84.3 kg)	22,500 / 33,750	15**
Open Bottom w/Gasket	PD1730BG30	186 (84.3 kg)	22,500 / 33,750	15**
Open Bottom w/2 Mouseholes	PD1730BB30	184 (83.4 kg)	22,500 / 33,750	15**

- ** Loadings comply with ANSI/SCTE 77. These boxes and extensions meet and exceed ANSI Tier 15 test provisions.

PG 17" x 30" Extensions (For use under 12" & 18" deep boxes only, one per box. For grade adjustable extension see page 44.)

DESCRIPTION	PART NO.	WEIGHT #	DIMENSION D	DIMENSION E	DESIGN/TEST LOAD #	ANSI TIER
Open Bottom	PG1730EA08	36 (16.3 kg)	8 3/4" (222 mm)	1" (25 mm)	22,500 / 33,750	15**
Solid Bottom	PG1730RA08	55 (24.9 kg)	9 1/4" (235 mm)	N/A	22,500 / 33,750	15**

Dimensions & weights in parentheses are metric equivalent.

ENCLOSURE DRAWINGS