

Full Voltage Contactors

Definite Purpose Controls Advantages (CR453C Compact).....4-2

Definite Purpose Controls Advantages (CR553A Standard).....4-3

Compact, Single Phase, 20A-40A (CR453C) Product Tables4-4

Compact, Single Phase, 20A-40A (CR453C) Factory Modified Forms.....4-5

Standard, Three Phase, 25A-40A (CR553A) Product Tables4-6

Standard, Three Phase, 25A-40A (CR553A) Factory Modified Forms.....4-7

Standard, Three Phase, 2-pole and 3-pole, 50A-150A (CR353) Product Tables4-8

Standard, Three Phase, 2-pole and 3-pole, 50A-150A (CR353) Factory Modified Forms.....4-9

Standard, Three Phase and Single Phase, 25A-40A (CR555) Product Tables.....4-10

Standard, Three Phase and Single Phase, 25A-40A (CR555) Factory Modified Forms.....4-11

Full Voltage Starters

Standard, Three Phase and Single Phase, 3-Pole, 25A-40A (CR554) Product Tables4-12

Standard, Three Phase and Single Phase, 3-Pole, 25A-40A (CR554) Factory Modified Forms4-13

Standard, Three Phase and Single Phase, 2-Pole and 3-Pole, 50A-60A (CR354F) Product Tables.....4-14

Standard, Three Phase and Single Phase, 2-Pole and 3-Pole, 50A-60A (CR354F) Factory Modified Forms.....4-15

Heaters, Three Phase and Single Phase, 50A-60A.....4-16

Full Voltage Contactors and Starters

Accessories (CR553, CR353E/F/G)4-17

Accessories (C-2000).....4-17

Replacement Coils and Renewal Parts, Contactors and Starters4-19

Technical Data, Contactors and Starters4-21

Outlines and Dimensions, Contactors and Starters.....4-24

Bulk Pack Data4-32



Definite Purpose Controls Full Voltage Contactors

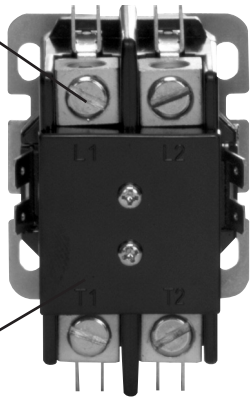
Section 4

GE's New Definite Purpose Controls Deliver Definite Advantages CR453C Compact

20A-40A

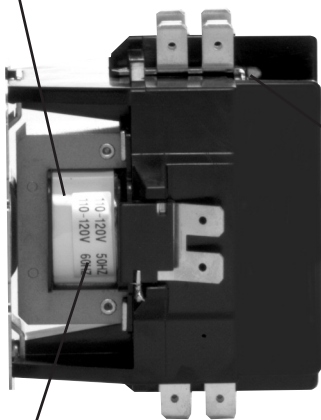
1-pole, 1-pole + shunt and 2-pole

Multiple terminal configurations on line and load terminals allow selection of the right terminals for the job. Choose from hex head screw terminals with slotted/Phillips head or box lug terminals, all with or without quick connect accessory terminals.



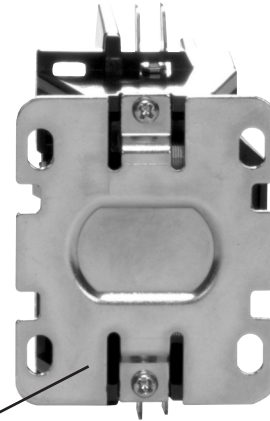
Cover (standard on 40A, optional on 25A-30A) offers increased protection from contaminants.

Wide array of coil voltages and frequencies allows the compact DP contactors to be adapted to a wide array of applications.



Large silver alloy contacts offer superior life and resistance to welding.

Low VA "no burn" coil design allows minimum CPT requirement and failsafe reliability during brownout conditions. Features standard 1/4" dual quick connect angled terminals for ease of wiring. Coils are tape wrapped for superior durability and protection from damage.



Universal mounting plate with multiple elongated holes allows the compact contactors to be used with the same mounting holes as existing designs—allowing easy replacement or simple substitution.

Outstanding performance meets all pertinent standards: UL Component Recognized, CSA, CE and ARI 780—insuring long service life and suitability in the application. All ratings meet 6x, 5x, 4x locked rotor amp rating at 240, 480 and 600V respectively. Tested for endurance per ARI 780, all contactors meet or exceed for 500,000 mechanical and 200,000 electrical operations.



Definite Purpose Controls Full Voltage Contactors

Section 4

CR553

2-pole and 3-pole
25A-40A

Cover permits visual on/off status indication.

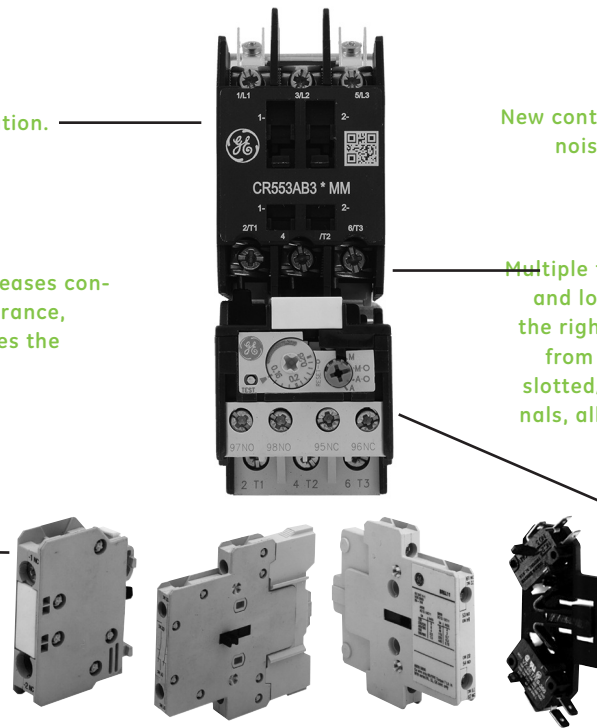
The use of advanced thermoplastics increases contactor performance, allows better appearance, enhances the overall quality and improves the clarity of the terminal markings.

Toolless, snap on accessories make factory and field modifications simple and easy while delivering time savings and late point flexibility.

New contactors have significantly lower noise levels for quieter operations.

Multiple terminal configurations on line and load terminals allow selection of the right terminals for the job. Choose from hex head screw terminals with slotted/Phillips head or box lug terminals, all with or without quick connect accessory terminals.

Class 20 and Class 10 overloads are available.

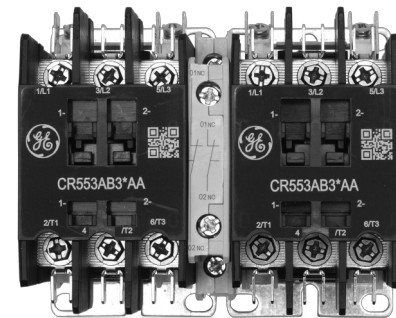


Quick connects are integral to the terminal to provide strength and reliability. Silver alloy contacts are strip welded for superior bond, resulting in long life and weld resistance.

Universal mounting plate with multiple elongated holes allow contactors to be used in same mounting holes as existing designs—allowing easy replacement or simple substitution. DIN rail mount is available.



Outstanding performance meets all pertinent standards: UL Component Recognized, CSA, CE and ARI 780—insuring long service life and suitability in the application. All ratings meet 6x, 5x, 4x locked rotor amp rating at 240, 480 and 600V respectively. Tested for endurance per ARI 780, all contactors meet or exceed 500,000 mechanical and 200,000 electrical operations.



Definite Purpose Controls Full Voltage Contactors

Section 4

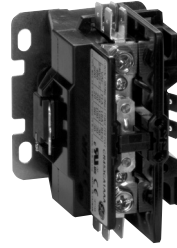
CR453C

Compact
Single Phase
20A-40A

Standard Forms

Standard CR453C contactors feature hex screws with #2 Phillips/slotted heads on the 20-35FLA devices and box lugs on 40FLA forms. Each pole is supplied with four 1/4" quick connect terminals. Coils are provided with two 1/4" quick connect terminals.

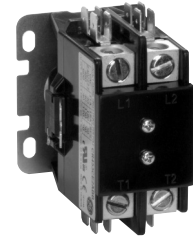
For configurations not found below see page 4-5 for Factory Modified Forms.



25A-35A 1 pole



25A-35A
1 pole + shunt



40A 2 pole

CR453C Compact (1, 1 + shunt & 2 pole)

Inductive Amps	Resistive Amps	Locked Rotor Amps, 50/60 Hz @ 240/277V	Locked Rotor Amps, 50/60 Hz @ 480V	Locked Rotor Amps, 50/60 Hz @ 600V	No. of Poles	Product Number	List Price GO-10DP
20	30	120	100	80	1	CR453CA1*AA	\$24.00
20	30	120	100	80	1 + Shunt	CR453CA3*AA	\$29.00
20	30	120	100	80	2	CR453CA2*AA	\$32.00
25	35	150	125	100	1	CR453CB1*AA	\$30.00
25	35	150	125	100	1 + Shunt	CR453CB3*AA	\$36.00
25	35	150	125	100	2	CR453CB2*AA	\$40.00
30	40	180	150	120	1	CR453CC1*AA	\$32.00
30	40	180	150	120	1 + Shunt	CR453CC3*AA	\$38.00
30	40	180	150	120	2	CR453CC2*AA	\$42.00
35	50	180	150	120	1	CR453CD1*AA	\$35.00
35	50	180	150	120	1 + Shunt	CR453CD3*AA	\$44.00
35	50	210	175	140	2 ¹	CR453CD2*AA	\$46.00
40	50	240	200	160	2 ¹	CR453CE2*BB	\$51.00

¹Ratings shown are for single phase, 2-pole. See page 4-21 for single phase, 1-pole ratings.

(Replace * in product number with appropriate coil digit.)

Coil Selection

CR453C Compact Coil Selection

Coil Voltage		Product Number Digit
60 Hz	50 Hz	
24	24	H
110-120	110	A
208-240	208-220	B
277	—	F



Definite Purpose Controls Full Voltage Contactors

CR553A

Standard
Three Phase
25A-40A

Standard Forms

On standard CR553 contactors, the coil and each power pole are supplied with two 1/4" quick connect terminals. Standard 25 FLA and 30 FLA contactors feature hex screws with #2 Phillips/slotted heads and short covers. Standard 40 FLA contactors come with box lugs and long covers.

For configurations not found below see page 4-7 for Factory Modified Forms.



25-30A 3 pole



40A 3 pole

CR553A Standard (2, 3 and 4 pole)

Inductive Amps	Resistive Amps	50/60 Hz						Single Phase		No. of Poles	Product Number	List Price GO-10DP
		Three Phase 240V HP	Three Phase 240V LRA	Three Phase 480V HP	Three Phase 480V LRA	Three Phase 600V HP	Three Phase 600V LRA	50/60 Hz 120V HP	50/60 Hz 240V HP			
25	35	7.5	150	10	125	10	100	2	3	2	CR553AB2*AA	\$47.00
25	35	7.5	150	10	125	10	100	2	3	3	CR553AB3*AA	\$53.00
25	35	7.5	150	10	125	10	100	2	3	4	CR553AB4*AA	\$71.00
30	40	10	180	15	150	15	120	2	5	2	CR553AC2*AA	\$53.00
30	40	10	180	15	150	15	120	2	5	3	CR553AC3*AA	\$59.00
30	40	10	180	15	150	15	120	2	5	4	CR553AC4*AA	\$77.00
40	50	10	240	20	200	20	160	3	7.5	2	CR553AD2*BB	\$64.00
40	50	10	240	20	200	20	160	3	7.5	3	CR553AD3*BB	\$71.00
40	50	10	240	20	200	20	160	3	7.5	4	CR553AD4*BB	\$95.00

(Replace * in product number with appropriate coil digit.)

Coil Selection

CR553A Coil Selection

Coil Voltage		Product No. Digit
60 Hz	50 Hz	
12	12	E
24	24	H
115-120	110	A
208-240	220-230	B
277	—	F
440-480	380-415	C
575-600	—	D



Definite Purpose Controls Full Voltage Contactors

Section 4

CR353

Standard
Three Phase
2-pole and 3-pole
50A - 150A



CR353 Contactor

Standard Forms

Standard CR353 contactors in the 50-120FLA ratings are supplied with box lug terminals. Power poles in the 50-90FLA size are supplied with two 1/4" quick connect terminals. Contactors in the 120-150FLA size include control power accessory screws on L1 and L2. Coils are provided with screw connections with a single 1/4" quick connect terminal on the 50 and 60 amp size and two 1/4" quick connect terminals on the 75 and 90 amp size.

For configurations not found below see page 4-9 for Factory Modified Forms.

CR353 Standard (2-pole and 3-pole)

Inductive Amps	Resistive Amps	Locked Rotor Amps, 50/60 Hz @ 240V	Locked Rotor Amps, 50/60 Hz @ 480V	Locked Rotor Amps, 50/60 Hz @ 600V	No. of Poles	Product Number	List Price GO-10DP
50	62	300	250	200	2	CR353FE2B*1	\$121.00
50	62	300	250	200	3	CR353FE3B*1	\$134.00
60	75	360	300	240	2	CR353FF2B*1	\$141.00
60	75	360	300	240	3	CR353FF3B*1	\$157.00
75	90	450	375	300	2	CR353EG2B*1	\$203.00
75	90	450	375	300	3	CR353EG3B*1	\$225.00
90	90	540	450	360	2	CR353EH2B*1	\$290.00
90	90	540	450	360	3	CR353EH3B*1	\$322.00
120	120	720	600	480	2	CR353GJ2A*1	\$423.00
120	120	720	600	480	3	CR353GJ3A*1	\$460.00
150	150	900	750	600	2	CR353GK2A*1	\$816.00
150	150	900	750	600	3	CR353GK3A*1	\$900.00

(Replace * in product number with appropriate coil digit.)

Coil Selection

CR353F, E, G Coil Selection

AC Coils

CR353F, E Coil Voltage		CR353G Coil Voltage		Product No. Digit
60 Hz	50 Hz	60 Hz	50 Hz	
24	24	—	—	H
110-120	110-120	115-120	110	A
208-240	208-240	230-240	220	B
277	—	277	—	F
460-480	440	460-480	440	C
575-600	550	575-600	550	D

DC Coils

CR353F Coil Voltage	CR353E Coil Voltage	Product No. Digit	List Price Adder GO-10DP
12	12	P	\$36.00
24-28	24-28	R	\$36.00
110-125	110-125	S	\$36.00
—	48	T	\$36.00



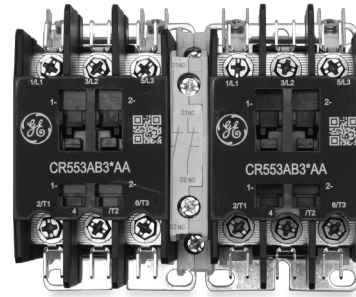
Definite Purpose Controls 2-Speed Contactors

CR555

Three Phase and Single Phase
25A-40A

Standard Forms

Standard CR555 2-speed controllers consist of two contactors, a mechanical interlock and partially wired cross-electrical interlocks. The coil and each power pole are supplied with two 1/4" quick connect terminals. Standard 25 FLA and 30 FLA 2-speed controllers feature hex screws with #2 Phillips/slotted heads. Standard 40 FLA 2-speed controllers come with box lugs.



CR555 Contactor

CR555 Standard (2 and 3 pole)

Inductive Amps	Resistive Amps	Three Phase 240V HP	Three Phase 240V LRA	Three Phase 480V HP	Three Phase 480V LRA	Three Phase 600V HP	Three Phase 600V LRA	Single Phase 50/60 Hz 120V HP	Single Phase 50/60 Hz 240V HP	No. of Poles	Product Number	List Price GO-10DP
25	35	7.5	150	10	125	10	100	2	3	2-3	CR555AB2*AA	\$190.00
25	35	7.5	150	10	125	10	100	2	3	3-3	CR555AB3*AA	\$202.00
25	35	7.5	150	10	125	10	100	2	3	4-3	CR555AB7*AA	\$217.00
25	35	7.5	150	10	125	10	100	2	3	4-4	CR555AB4*AA	\$232.00
30	40	10	180	15	150	15	120	2	5	2-3	CR555AC2*AA	\$202.00
30	40	10	180	15	150	15	120	2	5	3-3	CR555AC3*AA	\$214.00
30	40	10	180	15	150	15	120	2	5	4-3	CR555AC7*AA	\$229.00
30	40	10	180	15	150	15	120	2	5	4-4	CR555AC4*AA	\$245.00
40	50	10	240	20	200	20	160	3	7.5	2-3	CR555AD2*BB	\$218.00
40	50	10	240	20	200	20	160	3	7.5	3-3	CR555AD3*BB	\$230.00
40	50	10	240	20	200	20	160	3	7.5	4-3	CR555AD7*AA	\$255.00
40	50	10	240	20	200	20	160	3	7.5	4-4	CR555AD4*AA	\$279.00

(Replace * in product number with appropriate coil digit.)

Coil Selection

CR555 Coil Selection

Coil Voltage		Product No. Digit
60 Hz	50 Hz	
12	12	E
24	24	H
115-120	110	A
208-240	220-230	B
277	—	F
440-480	380-415	C
575-600	—	D



Definite Purpose Controls 2-Speed Contactors

Section 4

CR555

Three Phase and Single Phase
Factory Modified Forms
25A-40A

Factory Installed Modifications

CR555 Definite Purpose Two-speed Controllers, 25A-40A

Select two-speed contactor from the main table and complete the product number by inserting the digits corresponding to required and optional specifications from the tables below. Note: factory modified forms require minimum quantity orders in standard packs. See page 4-32 for bulk pack details.

Full Load Amps	Three Phase, 50/60 Hz						Single Phase		Product Number (Complete by adding digits from tables below ¹)																List Price GO-10DP		
	240V		480V		600V		HP, 50/60 Hz		Required Digits											Options							
	HP	LRA	HP	LRA	HP	LRA	120V	240V	Poles	1	2	3	4	5	6	7	8	9	10	11	12	13	14	15		16	
25	7.5	150	10	125	10	100	2	3	2-3	C	R	5	5	5	A	B	2										\$190.00
25	7.5	150	10	125	10	100	2	3	3-3	C	R	5	5	5	A	B	3										\$202.00
25	7.5	150	10	125	10	100	2	3	4-4	C	R	5	5	5	A	B	4										\$232.00
25	7.5	150	10	125	10	100	2	3	4-3	C	R	5	5	5	A	B	7										\$217.00
30	10	180	15	150	15	120	2	5	2-3	C	R	5	5	5	A	C	2										\$202.00
30	10	180	15	150	15	120	2	5	3-3	C	R	5	5	5	A	C	3										\$214.00
30	10	180	15	150	15	120	2	5	4-4	C	R	5	5	5	A	C	4										\$245.00
30	10	180	15	150	15	120	2	5	4-3	C	R	5	5	5	A	C	7										\$229.00
40	10	240	20	200	20	160	3	7.5	2-3	C	R	5	5	5	A	D	2										\$218.00
40	10	240	20	200	20	160	3	7.5	3-3	C	R	5	5	5	A	D	3										\$230.00
40	10	240	20	200	20	160	3	7.5	4-4	C	R	5	5	5	A	D	4										\$279.00
40	10	240	20	200	20	160	3	7.5	4-3	C	R	5	5	5	A	D	7										\$255.00

¹If no options are required, product number is complete after 11 digits.

Digit 9 Coil Selection

Coil Voltage	Product No.
60 Hz	Digit 9
12	E
24	H
115-120	A
208-240	B
277	F
440-480	C
575-600	D

Digit 10 Line Terminals

Product No.	Terminal Type	List Price Adder, GO-10DP							
		2-3 poles	2-3 poles	3-3 poles	3-3 poles	4-4 poles	4-4 poles	4-3 poles	4-3 poles
A	Binding Screw w/QC	\$0.00	\$0.00	\$0.00	\$0.00	\$0.00	\$0.00	\$0.00	\$0.00
B	Lug w/ Slotted Screw w/QC	\$5.00	\$5.00	\$6.00	\$6.00	\$7.00	\$7.00	\$7.00	\$7.00
C	Binding Screw	\$0.00	\$0.00	\$0.00	\$0.00	\$0.00	\$0.00	\$0.00	\$0.00
D	Lug with Slotted Screw	\$4.00	\$4.00	\$5.00	\$5.00	\$6.00	\$6.00	\$6.00	\$6.00
L	Sems Clamp w/QC ²	\$3.00	N/A	\$4.00	N/A	\$5.00	N/A	\$5.00	N/A
M	Sems Clamp ²	\$2.00	N/A	\$3.00	N/A	\$4.00	N/A	\$4.00	N/A
N	Lug w/ Hex Head Screw	\$4.00	\$4.00	\$5.00	\$5.00	\$6.00	\$6.00	\$6.00	\$6.00
P	Lug w/ Hex Head Screw w/QC	\$5.00	\$5.00	\$6.00	\$6.00	\$7.00	\$7.00	\$7.00	\$7.00

Digit 11 Load Terminals

Product No.	Terminal Type	List Price Adder, GO-10DP							
		2-3 poles	2-3 poles	3-3 poles	3-3 poles	4-4 poles	4-4 poles	4-3 poles	4-3 poles
A	Binding Screw w/QC	\$0.00	\$0.00	\$0.00	\$0.00	\$0.00	\$0.00	\$0.00	\$0.00
B	Lug w/ Slotted Screw w/QC	\$5.00	\$5.00	\$6.00	\$6.00	\$7.00	\$7.00	\$7.00	\$7.00
C	Binding Screw	\$0.00	\$0.00	\$0.00	\$0.00	\$0.00	\$0.00	\$0.00	\$0.00
D	Lug with Slotted Screw	\$4.00	\$4.00	\$5.00	\$5.00	\$6.00	\$6.00	\$6.00	\$6.00
L	Sems Clamp w/QC ²	\$3.00	N/A	\$4.00	N/A	\$5.00	N/A	\$5.00	N/A
M	Sems Clamp ²	\$2.00	N/A	\$3.00	N/A	\$4.00	N/A	\$4.00	N/A
N	Lug w/ Hex Head Screw	\$4.00	\$4.00	\$5.00	\$5.00	\$6.00	\$6.00	\$6.00	\$6.00
P	Lug w/ Hex Head Screw w/QC	\$5.00	\$5.00	\$6.00	\$6.00	\$7.00	\$7.00	\$7.00	\$7.00

Digits 12 Auxiliary Contacts

Product No.	Mounting Position	No. of Contacts	Volts	List Price Adder, GO-10DP
A	—	None	250V	\$0.00
B	Left	1 SPDT Left	250V	\$16.00
C	Right	1 SPDT Right	250V	\$16.00
D	Left	2 SPDT Left	250V	\$30.00
E	Right	2 SPDT Right	250V	\$30.00

²Not available in 40FLA.

Digits 12 Auxiliary Contacts (Cont.)

Product No.	Mounting Position	No. of Contacts	Volts	List Price Adder, GO-10DP
F	Left & Right	1 SPDT Left and Right	250V	\$32.00
G	Left & Right	2 SPDT Left and Right	250V	\$60.00
H	Left	1 NO-NC Left	600V	\$40.00
J	Right	1 NO-NC Right	600V	\$40.00
K	Left & Right	1 NO-NC Left & Right	600V	\$80.00
L	Left	2NO Left	600V	\$40.00
M	Right	2NO Right	600V	\$40.00
N	Left & Right	2NO Left & Right	600V	\$80.00
P	Left & Right	NO-NC Left 2NO Right	600V	\$80.00
Q	Left & Right	2 NO Left NO-NC Right	600V	\$80.00
R	Front	1 NO	600V	\$20.00
S	Front	1 NC	600V	\$20.00
T	Front	1NO - 1NC	600V	\$40.00

Maximum of 4 contacts allowed in Left, Right & Front side together; Maximum 2 Aux contacts allowed in Front mount.

Digit 13 Modifications

Product No.	Digit 13	Modification	List Price Adder GO-10DP
0		None	\$0.00
1		Coil Rotated with Coil Terminals Down	\$2.00
3		DIN Rail Mounting Provision	\$7.00
4		Coil Rotated with Coil Terminals Down and DIN Rail Mounting Provision	\$9.00
5		Dummy Quick Connect Tabs on Coil	\$6.00
6		Coil Rotated with Coil Terminals Down and Dummy Quick Connect Tabs on Coil	\$8.00
8		Dummy Quick Connect Tabs on Coil and DIN Rail Mounting Provision	\$14.00
9		Coil Rotated with Coil Terminals Down and DIN Rail Mounting Provision and Dummy Quick Connect Tabs on Coil	\$15.00

Modification includes the following:

1) Name plate specific to customer

Digit 14 Name Plate Terminal Marking

Product No.	Digit 14	Marking	List Price Adder GO-10DP
A		Standard Terminal Markings (Without Markings)	\$0.00

Digit 15 Special Marking

Product No.	Digit 15	Special Mark	List Price Adder GO-10DP
A		None	\$0.00
*		Customer Specific options assigned by Factory	\$0.00

Digit 16 Packaging

Product No.	Digit 16	Special	List Price Adder GO-10DP
A		Single	\$0.00
P		Bulk Pack	\$0.00

Complete Product Numbers:
11 digits for Standard
16 digits for Customized

Omit digit 12 through 16, if the selection is "A0AAA".
Ordering Bulk Packs? Just add A0AAP to the Standard Product Number.



Definite Purpose Controls Full Voltage Starters

CR554

Three Phase and Single Phase

3-pole

25A-40A

Standard Forms

Standard CR554 starters consist of contactors and overload relays. (For starters with holding interlocks, see factory modified forms on page 4-13.) The coil and each power pole are supplied with two 1/4" quick connect terminals. Standard 25 FLA and 30 FLA starters feature hex screws with #2 Phillips/slotted heads. Standard 40 FLA starters come with box lugs.



25A-30A with sems clamp



40A with box lugs

CR554 25A-40A 3-pole

Full load amps	Resistive per Pole	Three Phase Horsepower @ 240V	Locked Rotor Amps @ 240V	Three Phase Horsepower @ 480V	Locked Rotor Amps @ 480V	Three Phase Horsepower @ 600V	Locked Rotor Amps @ 600V	Single Phase Horsepower @ 115V	Single Phase Horsepower @ 230V	No. of Poles	Product Number	List Price GO-10DP
25	35	7.5	150	10	125	10	100	2	3	3	CR554AB3*A# ¹	\$78.00
30	40	10	180	15	150	15	120	2	5	3	CR554AC3*A# ¹	\$84.00
40	50	10	240	20	200	20	160	3	7.5	3	CR554AD3*B# ¹	\$96.00

¹For single phase starters, wire 2 poles in series.

(Replace * in product number with appropriate coil digit.)

Coil Selection

CR554 Coil Selection

Coil Voltage		Product No. Digit
60 Hz	50 Hz	
12	12	E
24	24	H
115-120	110	A
208-240	220-230	B
277	—	F
440-480	380-415	C
575-600	—	D

(Replace # in product number with appropriate overload digit.)

Overload Selection

Select range corresponding to full load amps. Overloads are Class 20, ambient compensated. For starters with lower overload amp ranges, see page 4-13.

Overload Amp Range	Product No. Digit	List Price Adder GO-10DPA	Overload Amp Range	Product No. Digit	List Price Adder GO-10DP
2.5-4.1	K	\$55.00	14.5-18	S	\$57.00
4-6.3	L	\$55.00	17.5-22	T	\$57.00
5.5-8.5	M	\$57.00	21-26	U	\$57.00
8-12	N	\$57.00	25-32	V	\$63.00
10-16	P	\$57.00	30-40	W	\$78.00



Definite Purpose Controls Full Voltage Starters

Section 4

CR354F

Three Phase and Single Phase
2-pole and 3-pole
50A-60A

Standard Forms

Standard starters consist of contactors and overload relays.
For starters with holding interlocks, see factory modified forms
on page 4-15.



CR354 Starter

CR354 50A-60A 2-pole and 3-pole

Full load amps	Locked Rotor Amps @ 240V	Locked Rotor Amps @ 480V	Locked Rotor Amps @ 600V	Motor Type	No. of Poles	Overload Heaters	NO Aux Contact (10A, 250 Vac)	Overload Type	Product Number	List Price GO-10DPA
50	300	250	200	1	2	1	—	Standard Overload	CR354FE2B*3 ¹	\$242.00
50	300	250	200	1	2	1	1	Standard Overload	CR354FE2B*3B ¹	\$254.00
50	300	250	200	1	2	1	—	Ambient Compensated Overload	CR354FE2B*4 ¹	\$258.00
50	300	250	200	1	2	1	1	Ambient Compensated Overload	CR354FE2B*4B ¹	\$270.00
50	300	250	200	3	3	3	—	Standard Overload	CR354FE3B*3 ¹	\$336.00
50	300	250	200	3	3	3	1	Standard Overload	CR354FE3B*3B ¹	\$348.00
50	300	250	200	3	3	3	—	Ambient Compensated Overload	CR354FE3B*4 ¹	\$352.00
50	300	250	200	3	3	3	1	Ambient Compensated Overload	CR354FE3B*4B ¹	\$364.00
60	360	300	240	1	2	1	—	Standard Overload	CR354FF2B*3 ¹	\$282.00
60	360	300	240	1	2	1	1	Standard Overload	CR354FF2B*3B ¹	\$294.00
60	360	300	240	1	2	1	—	Ambient Compensated Overload	CR354FF2B*4 ¹	\$298.00
60	360	300	240	1	2	1	1	Ambient Compensated Overload	CR354FF2B*4B ¹	\$310.00
60	360	300	240	3	3	3	—	Standard Overload	CR354FF3B*3 ¹	\$393.00
60	360	300	240	3	3	3	1	Standard Overload	CR354FF3B*3B ¹	\$405.00
60	360	300	240	3	3	3	—	Ambient Compensated Overload	CR354FF3B*4 ¹	\$409.00
60	360	300	240	3	3	3	1	Ambient Compensated Overload	CR354FF3B*4B ¹	\$421.00

¹For Heater Selection, see page 4-16.

(Replace * in product number with appropriate coil digit.)

Coil Selection

CR354 Coil Selection

Coil Voltage		Product No. Digit
60 Hz	50 Hz	
24	24	H
110-120	110-120	A
208-240	208-240	B
277	—	F
415-480	415-480	C
575-600	550	D



Definite Purpose Controls Full Voltage Starters

Section 4

CR354F

Three Phase and Single Phase
Factory Modified Forms
50A-60A

Factory Installed Modifications

CR354F, 50A-60A, 2-pole and 3-pole

Select your contactor from the main table and complete the product number by inserting the digits corresponding to required and optional specifications from the tables below. Note: minimum order quantities apply to all factory modified forms. Contact factory for details.

Full Load Amps	Locked Rotor Amps Three Phase, 60 Hz			Phase	Poles	Overload Heaters	Product Number (Complete by adding digits from tables below1)											Opt. 12	List Price GO-10DPA
	240V	480V	600V				Required Digits												
	1	2	3				4	5	6	7	8	9	10	11					
50	300	250	200	1	2	1	C	R	3	5	4	F	E	2	B		\$242.00		
50	300	250	200	3	3	3	C	R	3	5	4	F	E	3	B		\$336.00		
60	360	300	240	1	2	1	C	R	3	5	4	F	F	2	B		\$282.00		
60	360	300	240	3	3	3	C	R	3	5	4	F	F	3	B		\$393.00		

¹If no options are required, product number is complete after 11 digits.

Digit 10 Coil Selection

Coil Voltage		Product No. Digit 10
60 Hz	50 Hz	
24	24	H
110-120	110-120	A
208-240	208-240	B
277	—	F
460-480	440	C
575-600	550	D

Digit 11 Overload Relay

Product No. Digit 11	Overload Relay	List Price Adder GO-10DPA
3	Standard	\$0.00
4	Ambient Compensated	\$16.00

Digit 12 Auxiliary Contacts

Product No. Digit 12	Auxiliary Contacts	List Price Adder GO-10DPA
Blank	None	\$0.00
B	10A, 250V, SPDT, left side	\$16.00
C	10A, 250V, SPDT, left & right	\$32.00



Definite Purpose Controls Full Voltage Starters

CR354

Three Phase and Single Phase

Heaters

50A-60A

Standard or ambient compensated overload relays, Open or Type 1 Enclosed

To prevent overloading the starter, do not select heater(s) for a motor with a rating larger than the maximum shown on the starter nameplate. If a motor's full-load amps fall between two ratings, select heaters with the higher of the two ratings.

For continuous rated motors with a service factor of 1.15 to 1.25, select the heater with maximum motor amps equal to or immediately greater than the motor full-load current. This will provide a maximum of 125% protection. For continuous rated motors with no service factor, multiply the full-load current of the motor by 0.9 and use the resulting value to select the heater.

To protect the heater and starter during a short circuit, provide motor branch circuit protection in accordance with Table 420-152 in Article 430 of the National Electrical Code. In no case should the fuse rating exceed 4 times the motor full-load current for single-element fuses or 2.25 times the motor full-load current for dual-element fuses.

Do not use these tables to select heaters for hermetic motor applications. Contact your GE Energy sales office for information.

Heater amps are based on 75°C wire. All heaters are packaged 3 per carton and carry a **List Price of \$9.00, GO-10H.**

Single phase (1 heater required)

Max. Motor FLA		
50A Starter	60A Starter	Product Number
6.15	6.15	CR123C592A
6.47	6.47	CR123C630A
6.84	6.84	CR123C695A
7.72	7.72	CR123C778A
8.99	8.99	CR123C867A
9.87	9.87	CR123C955A
10.6	10.6	CR123C104B
12.0	12.0	CR123C113B
12.3	12.3	CR123C125B
14.0	14.0	CR123C137B
15.7	15.7	CR123C151B
17.6	17.6	CR123C163B
20.1	20.1	CR123C180B
23.3	23.3	CR123C198B
27.0	27.0	CR123C214B
29.8	29.8	CR123C228B
32.2	32.2	CR123C250B
33.9	33.9	CR123C273B
36.7	36.7	CR123C303B
42.5	42.5	CR123C330B
46.2	46.2	CR123C366B
50.0	50.0	CR123C400B
—	52.4	CR123C440B
—	58.2	CR123C460B
—	60.0	CR123C500B

Section 4

Three Phase (3 heaters required)

Max. Motor FLA		
50A Starter	60A Starter	Product Number
6.07	5.14	CR123C630A
6.63	5.63	CR123C695A
7.35	6.26	CR123C778A
8.09	7.15	CR123C867A
8.89	7.58	CR123C955A
9.78	8.39	CR123C104B
10.8	9.11	CR123C113B
11.8	9.67	CR123C125B
13.0	11.0	CR123C137B
14.5	12.0	CR123C151B
16.1	14.4	CR123C163B
17.9	16.3	CR123C180B
19.8	17.3	CR123C198B
22.0	19.3	CR123C214B
24.4	20.9	CR123C228B
27.1	22.9	CR123C250B
29.9	24.7	CR123C273B
34.1	28.0	CR123C303B
38.8	32.1	CR123C330B
44.3	35.9	CR123C366B
50.0	41.5	CR123C400B
—	43.4	CR123C440B
—	46.4	CR123C460B
—	50.9	CR123C500B
—	56.9	CR123C550B
—	60.0	CR123C600B



Definite Purpose Controls Full Voltage Starters

CR553, CR353E/F/G

Standard

Accessories

25A-40A

Auxiliary Contact Kits

Contactor Prefix	Contactor Rating	Description	Product Number	List Price GO-10DP
CR553	25A-40A 2-3 pole	250V, Side Mounted, SPDT	CR553XC211	\$16.00
CR553	25A-40A 2-3 pole	250V, Side Mounted, Two SPDT	CR553XC222	\$30.00
CR553	25A-40A 2-3 pole	DIN Rail Clip (sold only in multiples of 10)	CR553XDCA	\$7.00 ea.
CR353F	50A-60A	SPDT	CR353XAAA	\$16.00
CR353F	75A-90A	SPDT	CR353XAAB	\$20.00
CR353G	120A-150A	1NO-1NC	CR353XADC	\$32.00

C-2000 Accessories

For more information, see the C-2000 Contactors and Starters Purchasing Guide (DEP-014). For use with CR45* devices.

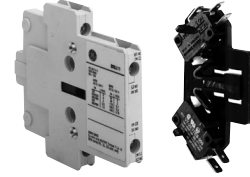
Accessory Type	Mounting Type	Contact Configuration	Type of Kit	Product Number	List Price GO-10C2
Auxiliary Contact Blocks	Front-Mount	1NO	—	BCLF10	\$11.00
Auxiliary Contact Blocks	Front-Mount	1NC	—	BCLF01	\$11.00
Auxiliary Contact Blocks	Side-Mount	1NO-1NC	—	BCLL11	\$19.00
Auxiliary Contact Blocks	Side-Mount	2NO	—	BCLL20	\$19.00
Mechanical Interlock	—	2NC	—	BELA02	\$35.00
Miscellaneous Kits	—	—	35 mm DIN Rail (1 meter)	CLXR35	\$8.00

Overload Relays

Direct mount, manual/auto reset (stop/reset only). Requires contactor with sems clamp terminal (without quick connects) on load side. Select M for Digit 11 on page 4-7.

Current Range Amps(min-max)	Maximum Fuse Rating Amps	Maximum Circuit Breaker Rating Amps	Trip Class	Product Number	List Price GO-10C2
0.16-0.26	1	15	Class 10	RT1B	\$55.00
0.25-0.41	1	15	Class 10	RT1C	\$55.00
0.4-0.65	3	15	Class 10	RT1D	\$55.00
0.65-1.1	6	15	Class 10	RT1F	\$55.00
1-1.5	6	15	Class 10	RT1G	\$55.00
1.3-1.9	6	15	Class 10	RT1H	\$55.00
1.8-2.7	10	15	Class 10	RT1J	\$55.00
2.5-4.1	15	15	Class 10	RT1K	\$55.00
4-6.3	20	15	Class 10	RT1L	\$55.00
5.5-8.5	25	15	Class 10	RT1M	\$57.00
8.0-12.0	40	30	Class 10	RT1N	\$57.00
10.0-16.0	50	35	Class 10	RT1P	\$57.00
14.5-18	60	40	Class 10	RT1S	\$57.00
17.5-22	70	50	Class 10	RT1T	\$57.00
21-26	80	60	Class 10	RT1U	\$57.00
25-32	100	80	Class 10	RT1V	\$65.00
30-40	100	80	Class 10	RT1W	\$78.00
2.5-4.1	15	15	Class 20	RT12K	\$55.00
4-6.3	20	15	Class 20	RT12L	\$55.00
5.5-8.5	25	15	Class 20	RT12M	\$57.00
8.0-12.0	40	30	Class 20	RT12N	\$57.00
10.0-16.0	50	35	Class 20	RT12P	\$57.00
14.5-18	60	40	Class 20	RT12S	\$57.00
17.5-22	70	50	Class 20	RT12T	\$57.00
21-26	80	60	Class 20	RT12U	\$57.00
25-32	100	80	Class 20	RT12V	\$65.00
30-40	100	80	Class 20	RT12W	\$78.00

Section 4



Auxiliary Contact Kits



Front-Mount Auxiliary Contact Block



Mechanical Interlock



DIN-Rail Kit



Overload Relay, Class 10



Definite Purpose Controls Full Voltage Contactors

CR553, CR353E/F/G

Standard
Accessories
25A-40A

Remote Electrical Reset for RT1 Overload Relays

Voltage 50/60 Hz AC/DC	Product Number	List Price GO-10C2
12	RTXRRB	\$55.00
24	RTXRRD	\$55.00
48	RTXRRG	\$55.00
110-120	RTXRRJ	\$55.00
220-240	RTXRRN	\$55.00
380-415	RTXRRU	\$55.00
440-480	RTXRRX	\$55.00



Remote Electrical Reset

Overload Base Adapter Panel Mount

Product Number	List Price GO-10C2
RTXP	\$12.00



Enclosure Kits NEMA Type 1

Contactors Prefix	Device	Rating	Product Number	List Price GO-10DP
CR553	Contactors/Starters	25A-30A, 2-3 pole	CR553XE1A	\$42.00
CR553	Contactors/Starters	40A, 2-3 pole	CR553XE1B	\$82.00
CR353	Contactors	50A-60A, 3-pole	CR353XE1BB	\$42.00
CR353	Contactors	75A-90A	CR353XE1BC	\$60.00
CR354	Starters	50A	CR353XE1AA	\$48.00

Start/Stop Push Button

Accessories for CR553XE1A Enclosure

Enclosure Accessory Type	Product Number	List Price GO-10C2
Start/Stop Push Button Without Light	CLXP1B	\$39.00
Start/Stop Push Button With Light—115 V	CLXP1C	\$112.00
Start/Stop Push Button With Light—230 V	CLXP2C	\$112.00
Start/Stop Push Button With Light—460 V	CLXP3C	\$112.00
Start/Stop Push Button With Light—575 V	CLXP1C4	\$112.00
H-O-A Switch	CLXP1D	\$39.00
On-off Switch	CLXP1E	\$39.00
Red Indicating Light (For use with H-O-A or ON/OFF selector switch)	CLXP1F ¹	\$67.00
Reset Kit (For starter enclosure)	CLXR11	\$8.00



H-O-A Switch

¹Each kit has three resistors allowing light to be used with all voltages 110 through 600.

Pneumatic Timers for CR553A Series

Type	Time Range	Contacts	Product Number	List Price GO-10C2
Time Delay On	0.1-30 seconds	1 NO-1 NC	BTLF30C	\$120.00
Time Delay On	1-60 seconds	1 NO-1 NC	BTLF60C	\$120.00
Time Delay Off	0.1-30 seconds	1 NO-1 NC	BTLF30D	\$120.00
Time Delay Off	1-60 seconds	1 NO-1 NC	BTLF60D	\$120.00

Surge Suppressors

Type	Voltage	Product Number	List Price GO-10C2
RC	24-48 VAC	BSLR2G	\$24.00
RC	50-127 VAC	BSLR2K	\$24.00
RC	130-240 VAC	BSLR2R	\$24.00
Diode	12-600 VAC	BSLDZ	\$24.00
Varistor	24-48 VAC/DC	BSLV3G	\$24.00
Varistor	50-127 VAC/DC	BSLV3K	\$24.00
Varistor	130-250 VAC/DC	BSLV3R	\$24.00
Varistor	380-500 VAC/DC	BSLV3U	\$24.00



On-Off Switch

Mechanical Latch Block for CR553A Series

Release Voltage	Product Number	List Price GO-10C2
24-32 VAC/DC	RMLFD	\$70.00
42-48 VAC/DC	RMLFG	\$70.00
110-125 VAC/DC	RMLFJ	\$70.00
208-277 VAC/DC	RMLFN	\$70.00
380-480 VAC/DC	RMLFU	\$70.00
500-600 VAC/DC	RMLFY	\$70.00



Reset Kit for Starter Enclosure



Definite Purpose Controls Full Voltage Contactors

Section 4

CR553, CR353E/F/G

Standard

Coils and Renewal Parts

25A-150A

AC Replacement Coil – CR553

Coil Voltage	Product Number		Product Number	
	2/3 Pole 25-30FLA	List Price GO-11G	2/3 Pole 40FLA 4 Pole 25-40FLA	List Price GO-11G
115-120V 60Hz / 110V 50Hz	CRDB1AA	\$27.00	CRDB3AA	\$30.00
208-240V 60Hz / 220-230V 50Hz	CRDB1AB	\$27.00	CRDB3AB	\$30.00
440-480V 60Hz / 380-415V 50Hz	CRDB1AC	\$27.00	CRDB3AC	\$30.00
575-600V 60Hz	CRDB1AD	\$27.00	CRDB3AD	\$30.00
12V 50Hz/60Hz	CRDB1AE	\$27.00	CRDB3AE	\$30.00
277V 60Hz	CRDB1AF	\$27.00	CRDB3AF	\$30.00
24V 50Hz/60Hz	CRDB1AH	\$27.00	CRDB3AH	\$30.00

AC Replacement Coil – CR353, CR354, CR355

Contactor Prefix	Inductive Amps	Coil Letter Code	Coil Voltage @ 60 Hz	Coil Voltage @ 50 Hz	Product Number	List Price GO-11G
CR353FE, CR353F, CR354FE, CR354F	50-60	A	110-120	110-120	55-B38A	\$30.00
CR353FE, CR353F CR354FE, CR354F	50-60	B	208-240	208-240	55-B38B	\$30.00
CR353FE, CR353F CR354FE, CR354F	50-60	C	440-480	380-415	55-B38C	\$30.00
CR353FE, CR353F CR354FE, CR354F	50-60	D	575-600	550	55-B38D	\$30.00
CR353FE, CR353F CR354FE, CR354F	50-60	F	277	—	55-B38F	\$30.00
CR353FE, CR353F CR354FE, CR354F	50-60	H	24	24	55-B38H	\$30.00
CR355EE, CR355F	50-60	A	110-120	110-120	55-B21A	\$54.00
CR355EE, CR355F	50-60	B	208-240	208-240	55-B21B	\$54.00
CR355EE, CR355F	50-60	C	415-480	415-480	55-B21C	\$54.00
CR355EE, CR355F	50-60	D	575-600	550	55-B21D	\$54.00
CR355EE, CR355F	50-60	F	277	—	55-B21F	\$54.00
CR355EE, CR355F	50-60	H	24	24	55-B21H	\$54.00
CR353EG, CR353H CR355EG, CR355H	75-90	A	110-120	110-120	55-B22A	\$60.00
CR353EG, CR353H CR355EG, CR355H	75-90	B	208-240	208-240	55-B22B	\$60.00
CR353EG, CR353H CR355EG, CR355H	75-90	C	440-480	380-415	55-B22C	\$60.00
CR353EG, CR353H CR355EG, CR355H	75-90	D	575-600	550	55-B22D	\$60.00
CR353EG, CR353H CR355EG, CR355H	75-90	F	277	—	55-B22F	\$60.00
CR353EG, CR353H CR355EG, CR355H	75-90	H	24	24	55-B22H	\$60.00
CR353GJ	120	A	115-120	110	55-501336G002	\$148.00
CR353GJ	120	B	230-240	220	55-501336G003	\$148.00
CR353GJ	120	C	460-480	440	55-501336G004	\$148.00
CR353GJ	120	D	575-600	550	55-501336G005	\$148.00
CR353GK	150	A	115-120	110	55-501563G002	\$202.00
CR353GK	150	B	230-240	220	55-501563G003	\$202.00
CR353GK	150	C	460-480	440	55-501563G004	\$202.00
CR353GK	150	D	575-600	550	55-501563G005	\$202.00



Definite Purpose Controls Full Voltage Contactors

CR353E/F/G

Standard

Coils and Renewal Parts

50A - 150A

Section 4

Replacement Contact Kits for CR353

Continuous Amp Rating	Poles Per Kit	Termination	Product Number	List Price GO-11GS
50A	1	Lug/Quick Connect	55-152313G216 ¹	\$32.00
90A	1	Lug/Quick Connect	55-152313G217	\$84.00
75A	1	Lug/Quick Connect	55-152313G218	\$58.00
60A	1	Lug/Quick Connect	55-152313G237 ²	\$35.00
120A	3	Pressure	55-152313G139	\$308.00
150A	3	Pressure	55-152313G140	\$418.00

¹For CR353EE and CR355EE, use 55-152313G150, List Price, \$26.00, GO-11GS.

²For CR353EF and CR355EF, use 55-152313G219, List Price, \$32.00, GO-11GS.



Definite Purpose Controls Full Voltage Contactors

Section 4

CR453C, CR553, CR353

Technical Data

25A-150A

DP Contactors Compact

Product Family	Poles	Inductive Amps	Resistive Amps	Locked Rotor Amps, 50/60 Hz @ 240/277V	Locked Rotor Amps, 50/60 Hz @ 480V	Locked Rotor Amps, 50/60 Hz @ 600V	% Nominal Coil Voltage @ Pickup	% Nominal Coil Voltage @ Dropout	Wire Size Range AWG	Terminal Torque (lb.-in.)	Approx. Ship. Wt. (Lbs)
CR453CA	1 + shunt	20	30	120	100	80	85%	60%	16-8	20	0.7
CR453CA	2	20	30	120	100	80	85%	60%	16-8	20	0.7
CR453CB	1 + shunt	25	35	150	125	100	85%	60%	16-8	20	0.7
CR453CB	2	25	35	150	125	100	85%	60%	16-8	20	0.7
CR453CC	1 + shunt	30	40	180	150	120	85%	60%	16-8	20	0.7
CR453CC	2	30	40	180	150	120	85%	60%	16-8	20	0.7
CR453CD	1 + shunt	35	50	180	150	120	85%	60%	16-8	20	0.7
CR453CD	2	35	50	210	175	140	85%	60%	16-8	20	0.7
CR453CE	1 + shunt	40	50	180	150	120	85%	60%	14-4	40	0.7
CR453CE	2	40	50	240	200	160	85%	60%	14-4	40	0.7

DP Contactors Standard

Family	Type	Inductive Amps	Resistive Amps	Three Phase 240V LRA	Three Phase 480V LRA	Three Phase 600V LRA	Locked Rotor Amps, 50/60 Hz @ 240V	Locked Rotor Amps, 50/60 Hz @ 480V	Locked Rotor Amps, 50/60 Hz @ 600V	Part Winding Locked Rotor Amps @ 240V	Part Winding Locked Rotor Amps @ 480V	Part Winding Locked Rotor Amps @ 600V
CR553	AB	25	35	150	125	100	—	—	—	—	—	—
CR554	AC	30	40	180	150	120	—	—	—	—	—	—
CR555	AD	40	50	240	200	160	—	—	—	—	—	—
CR353	FE	50	62	300	250	200	—	—	—	300	250	200
CR354	FF	60	75	360	300	240	—	—	—	360	300	240
CR353	GG	75	90	450	375	300	—	—	—	450	375	300
CR355	EH	90	90	540	450	360	—	—	—	540	450	360
CR353	GJ	120	120	720	600	480	—	—	—	720	600	480
CR353	GK	150	150	900	750	600	—	—	—	900	750	600

DP Contactors Standard (continued)

Family	Type	% Nominal Coil Voltage @ Pickup	% Nominal Coil Voltage @ Dropout	Wire Size Range AWG	Terminal Torque (lb.-in.)	Approx. Shipping Wt. (Lbs)
CR553, CR554	AB, AC, AD	≤ 85%	≤ 60%	16-8	20	0.7
CR555	AB, AC, AD	≤ 85%	≤ 60%	14-4	40	0.7
CR353	FE, FF	≤ 85%	≤ 60%	14-2	50	1.9
CR354	FE, FF	≤ 85%	≤ 60%	14-2	50	3.5
CR353	GG	≤ 85%	≤ 55%	14-2/0	50	4.0
CR355	EH	≤ 85%	≤ 55%	14-2/0	50	8.1
CR353	GJ	≤ 85%	≤ 65%	8/3/0	200	17.5
CR353	GK	≤ 85%	≤ 65%	8/3/0	200	17.5



Definite Purpose Controls Full Voltage Contactors

Section 4

CR453C, CR553, CR353

Technical Data
25A-150A

CR453C CE Technical Data

Product Number	Electrical Rating AC1 @ 480V	Electrical Rating AC3 @ 240V	Electrical Rating AC3 @ 480V	UL File No.
CR453CA1*AA	30A	20A	16.7A	E126105 Volume 20, Section 1
CR453CB1*AA	35A	25A	20.8A	E126105 Volume 20, Section 1
CR453CC1*AA	40A	30A	25A	E126105 Volume 20, Section 1
CR453CD1*AA	50A	35A	25A	E126105 Volume 20, Section 1
CR453CE2*BB	50A	40A	25A	E126105 Volume 20, Section 1

UL References

Family	Type	File	Volume	Section	Issued
CR553	A	E1811	20	1	11/27/14
CR554, CR555	A	E1811	20	2	11/27/14
CR355	EE	E1811	2	26	03/10/70
CR355	EF	E1811	2	25	01/22/70
CR353, CR355	EG	E1811	2	24	10/15/68
CR353, CR355	EH	E1811	2	30	06/01/71
CR353, CR354	FE	E1811	2	54	06/17/75
CR353, CR354	FF	E1811	2	54	06/17/75
CR353	GJ	E1811	2	47	01/31/74
CR353	GK	E1811	3	5	05/26/76

CSA References

Product Line	CSA File Number	CSA Class
CR453C	212530-M-000	1222 01, 4813 01

Auxiliary Contact Ratings

Product Line	Type	Kits	Ratings
CR553	250 V SPDT	CR553XC2**	11 A, 1/3 HP at 250 VAC; 1/2 A at 125 VDC; 1/4 A at 250 VDC
CR553	600 V	BCLF**, BCLL**	A600, Q600 Pilot Duty
CR553	600 V Interlock	BEL02	A600, Q600 Pilot Duty
CR353F	250 V SPDT	353XAAA	10 A, 1/3 HP at 250 VAC; 1/2 A at 125 VDC; 1/4 A at 250 VDC
CR353E	250 V SPDT	353XAAB	10 A, 1/3 HP at 250 VAC; 1/2 A at 125 VDC; 1/4 A at 250 VDC
CR353G	600 V	353XA*C	A600, P300 Pilot Duty



Definite Purpose Controls Full Voltage Contactors

CR453C, CR553, CR353

Technical Data
25A-150A

Section 4

AC Coils – CR553

Nominal Coil voltage VAC	Frequency	FLA	Poles	12	24	115-120	208-240	277	440-480	550-600
Maximum pickup voltage	60Hz	25 / 30 / 40A	2, 3 & 4	9.6	18	88	177	220	352	440
Drop-out voltage range		25 / 30 / 40A	2, 3 & 4	4.2	6 - 15	20 - 70	50 - 165	65 - 185	150 - 270	192 - 336
Nominal inrush VA	60Hz	25 / 30 A	2, 3	44	44	44	44	44	44	44
		40 A	3	100	100	100	100	100	100	100
	50Hz	25 / 30 / 40A	4	100	100	100	100	100	100	100
		25 / 30 A	2, 3	53	53	53	53	-	53	53
Nominal sealed VA	60Hz	40 A	3	120	120	120	120	-	120	120
		25 / 30 / 40A	4	120	120	120	-	120	120	
	50Hz	25 / 30 A	2, 3	5.6	5.6	5.6	5.6	5.6	5.6	5.6
		40 A	3	9.5	9.5	9.5	9.5	9.5	9.5	9.5
	50Hz	25 / 30 / 40A	4	9.5	9.5	9.5	9.5	9.5	9.5	9.5
		25 / 30 A	2, 3	6.8	6.8	6.8	6.8	-	6.8	6.8
50Hz	40 A	3	11.4	11.4	11.4	11.4	-	11.4	11.4	
	25 / 30 / 40A	4	11.4	11.4	11.4	11.4	-	11.4	11.4	

AC Coils – CR453C, CR35*F, CR35*E, CR353G

Family	Coil Voltage	Inrush VA	Sealed VA	Sealed Watts	Resistance Ohms ±10%	
					Inrush	Sealed
CR453C	24V, 50/60 Hz	29	5.0	2.6	11	
	110-120V, 50/60 Hz	34	6.0	3.3	244	
	208-240V, 50/60 Hz	33	5.6	3.7	990	
CR35*F	277V, 60 Hz	30	6.3	3.2	1520	
	24V, 60 Hz	125	17	8	2.7	
	115-120V 60 Hz, 110V 50 Hz	125	17	8	64	
	208-240V 60 Hz, 220V 50 Hz	125	17	8	241	
	277V, 60 Hz	125	17	8	389	
	460V 60 Hz, 440V 50 Hz	125	17	8	972	
CR35*E	600V 60 Hz, 550V 50 Hz	125	17	8	2074	
	24V, 50/60 Hz	233	40	16	1.0	
	110-120V, 50/60 Hz	233	40	16	28	
	208-240V, 50/60 Hz	233	40	16	109	
	277V, 60 Hz	233	40	16	169	
CR353G	440-480V 60 Hz, 380-415V 60 Hz	233	40	16	547	
	575-600V 60 Hz, 550V 50 Hz	233	40	16	655	
	115-120V 60 Hz, 110V 50 Hz	1150	80	18.4	2.11	
	230-240V 60 Hz, 220V 50 Hz	1150	80	18.4	10.6	
CR353G	460-480V 60 Hz, 440V 50 Hz	1150	80	18.4	41.8	
	575-600V 60 Hz, 550V 50 Hz	1150	80	18.4	67.0	

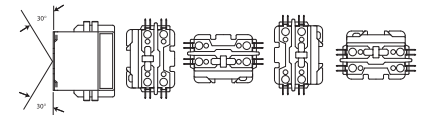
DC Coils

Family	Voltage DC	Inrush VA	Sealed VA	Sealed Watts	Resistance Ohms ±10%	
					Inrush	Sealed
CR353F	12	107	3.8	3.8	1.35	37.6
	24-28	110	3.8	3.8	5.2	153
	110-125	110	5.25	5.25	133	2519
CR353E	12	278	11.3	11.3	0.54	12.7
	24-48	270	11.1	11.1	2.13	51.9
	48	301	12.6	12.6	7.65	183.0
	110-125	292	12.0	12.0	47.1	1133

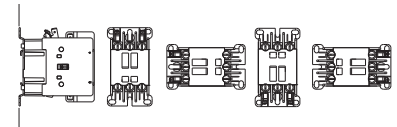
Mounting Positions

To maintain operating integrity, contactors must be mounted in one of the positions

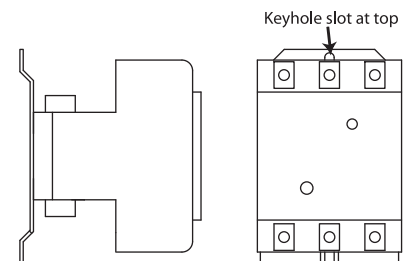
shown below:



CR453C



CR553



CR353

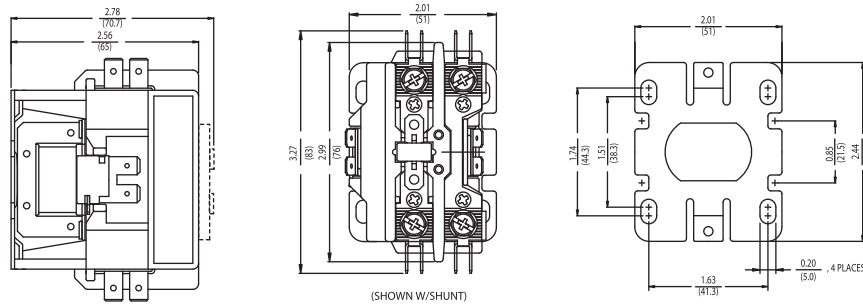


Definite Purpose Controls Full Voltage Contactors

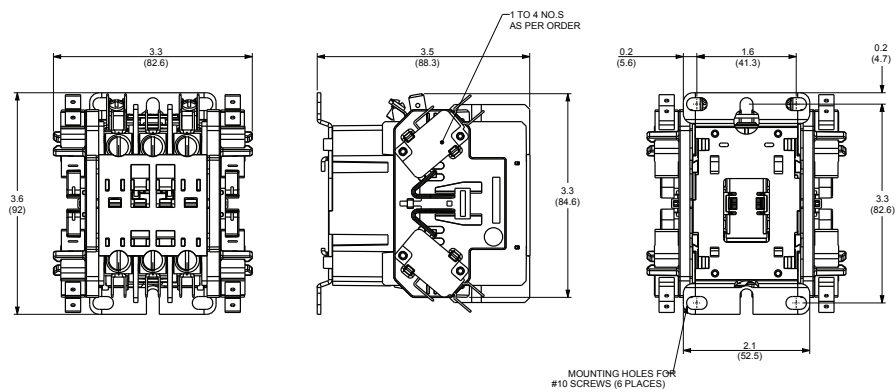
CR453C, CR553

Outlines and Dimensions in./(mm) (For Estimating Only)
20A-150A

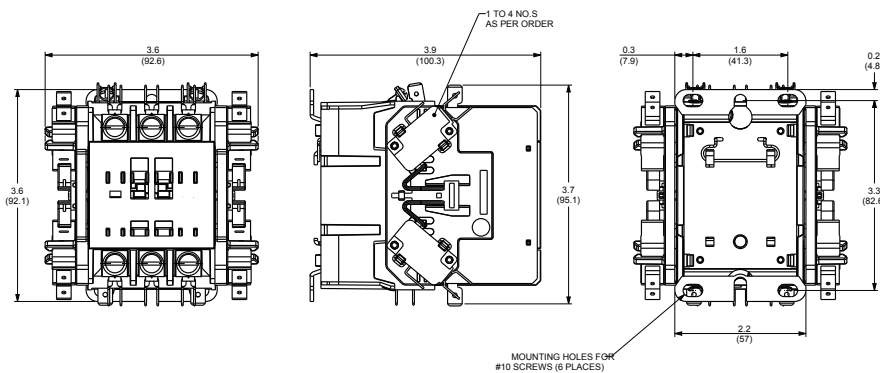
Section 4



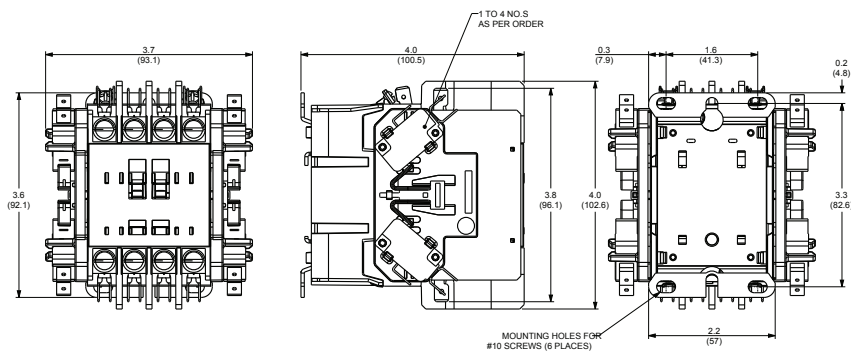
CR453C



CR553AB3/CR553AC3 + 250V Aux. Contacts



CR553AD3 + 250V Aux. Contacts



CR553AB4/CR553AC4/CR553AD4 + 250V Aux. Contacts

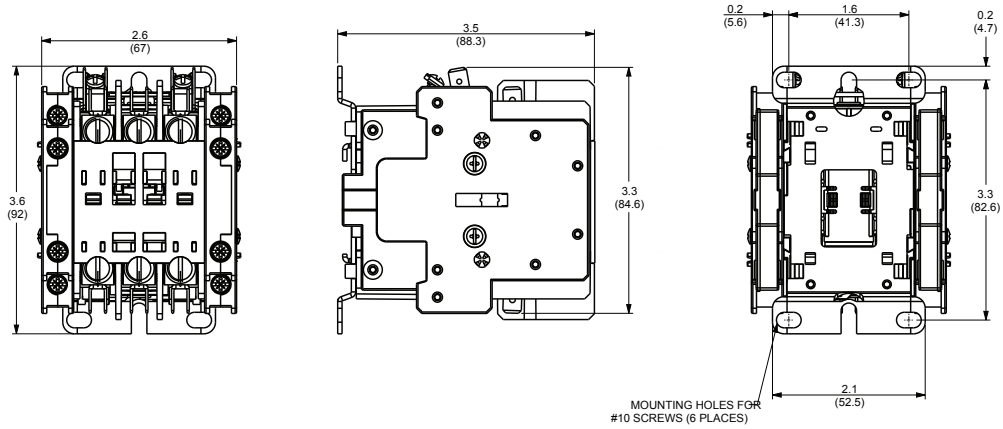


Definite Purpose Controls Full Voltage Contactors

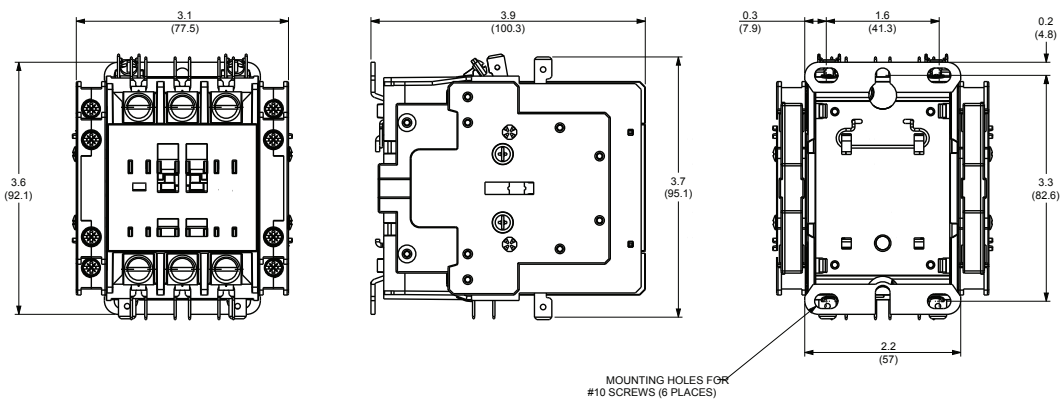
Section 4

CR553

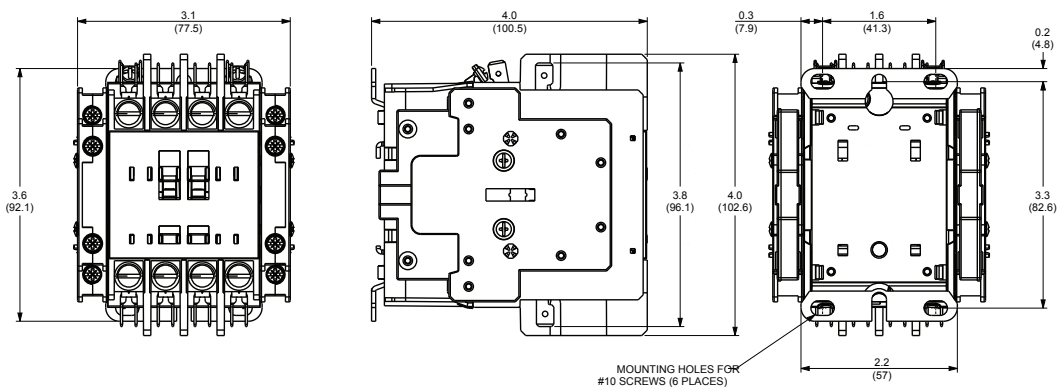
Outlines and Dimensions in./(mm) (For Estimating Only)
20A-150A



CR553AB3/CR553AC3 + 600V Aux. Contacts



CR553AD3 + 600V Aux. Contacts



CR553AB4/CR553AC4/CR553AD4 + 600V Aux. Contacts



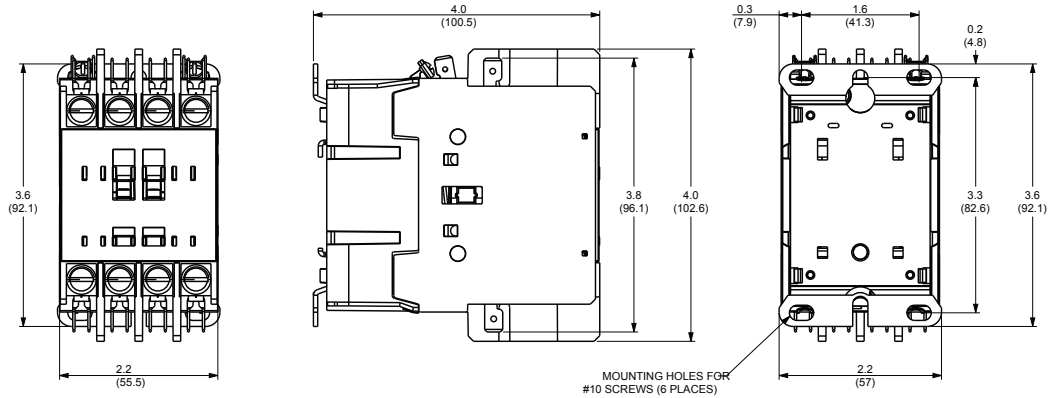
Definite Purpose Controls

Full Voltage Contactors

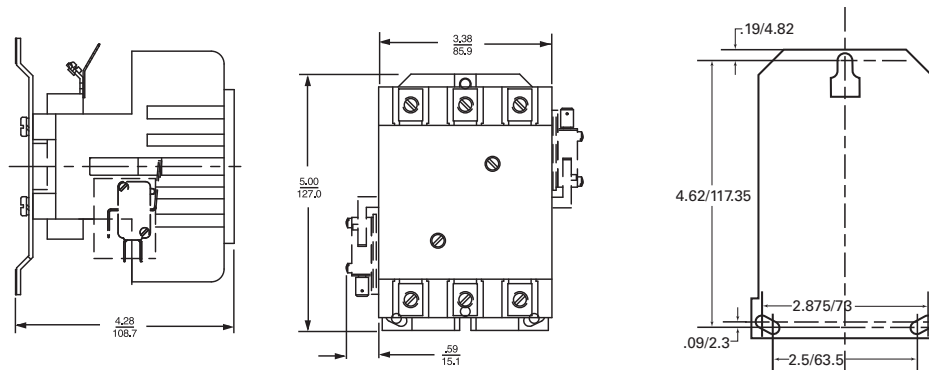
CR353, CR553

Outlines and Dimensions in./(mm) (For Estimating Only)
25A-150A

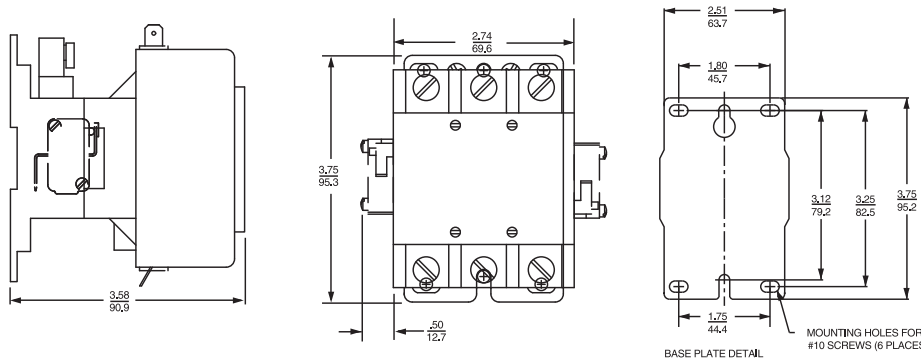
Section 4



CR553AB4/CR553AC4/CR553AD4



CR353E + 250V Aux. Contacts



CR353F + 250V Aux. Contacts

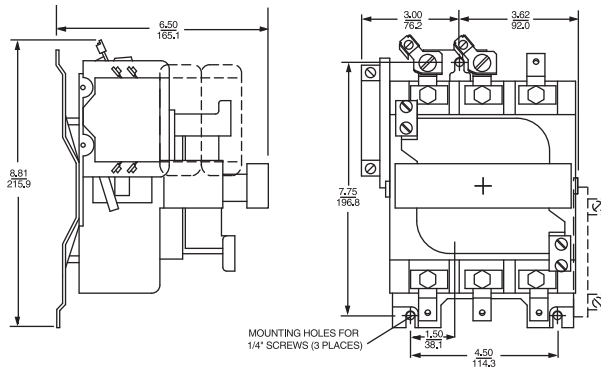


Definite Purpose Controls Full Voltage Contactors

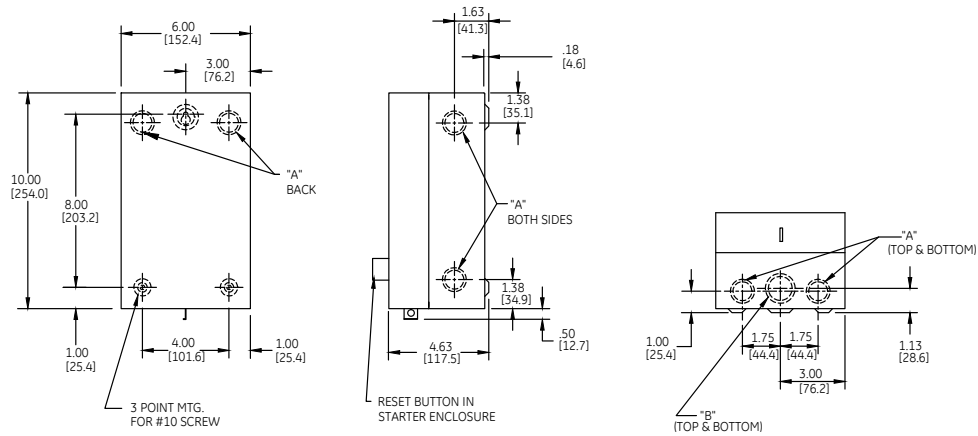
Section 4

CR553, CR353E/F/G

Outlines and Dimensions in./(mm) (For Estimating Only)
25A-150A

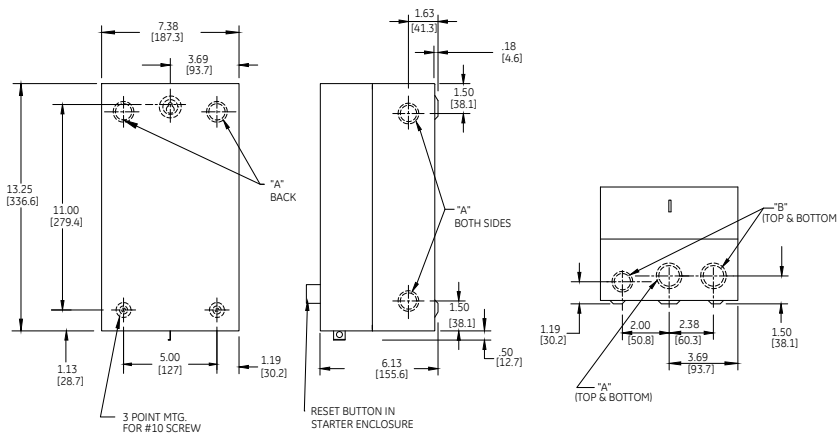


CR353G + 600V Aux. Contacts



"A" Combination Knockouts for 1/2 or 3/4-inch Conduit
"B" Combination Knockouts for 3/4 or 1-inch Conduit

Enclosure CR553XE1A



"A" Combination Knockouts for 1/2 or 3/4-inch Conduit
"B" Combination Knockouts for 3/4 or 1-inch Conduit

Enclosure CR553XE1B

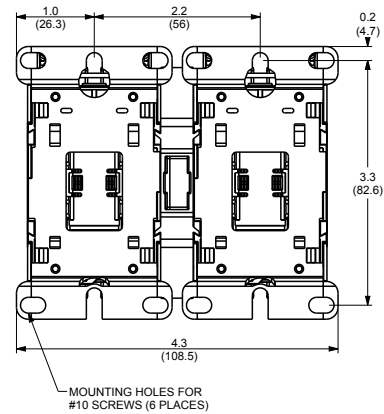
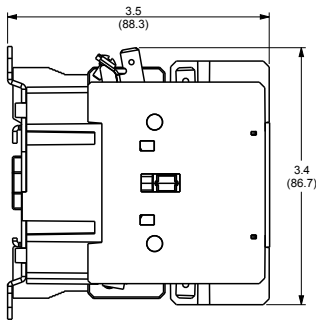
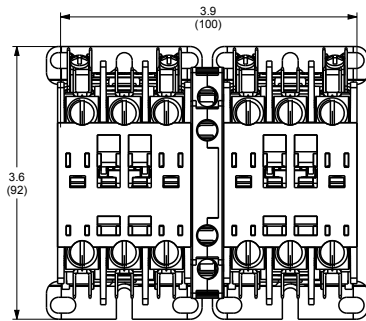


Definite Purpose Controls 2-Speed Contactors

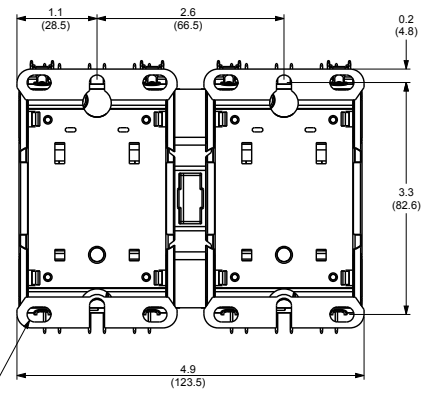
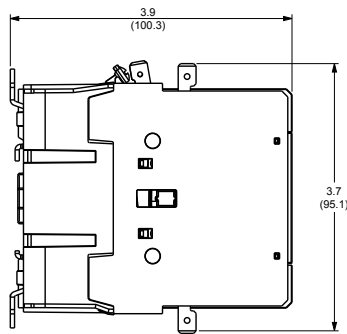
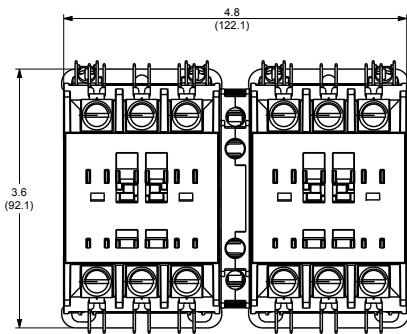
CR555

Outlines, Dimensions in./(mm) and Weights (For Estimating Only)
25A-40A

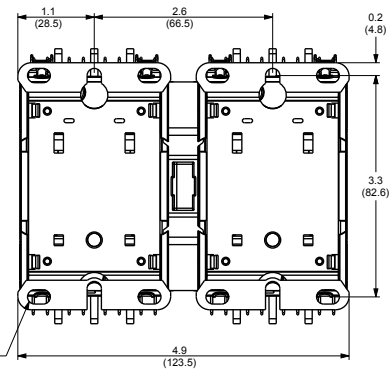
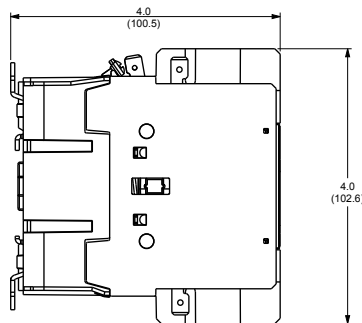
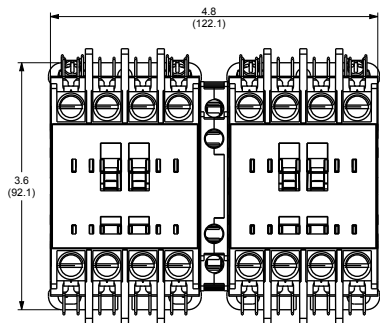
Section 4



CR555AB3/CR555AC3



CR555AD3



CR555AB4/CR555AC4/CR555AD4

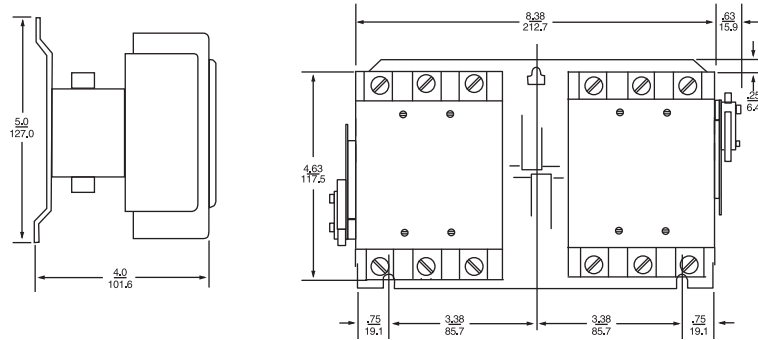


Definite Purpose Controls 2-Speed Contactors

Section 4

CR355E

Outlines, Dimensions in./(mm) and Weights (For Estimating Only)
50A-90A



CR355E + 250V Aux. Contacts

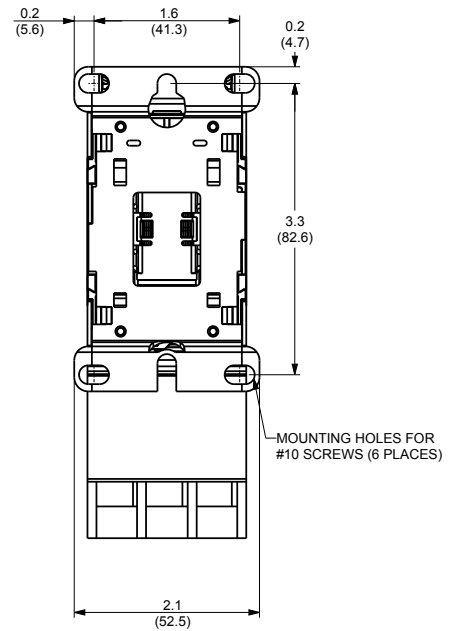
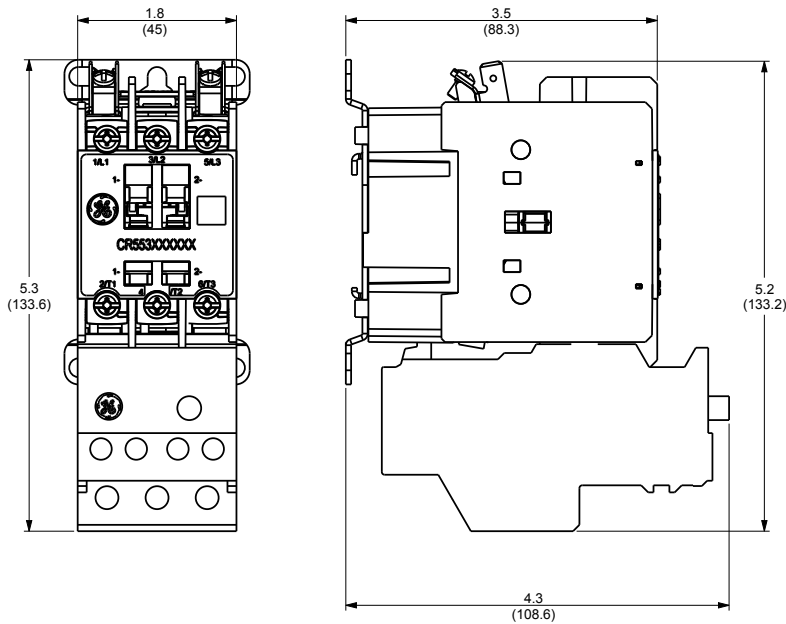


Definite Purpose Controls Full Voltage Starters

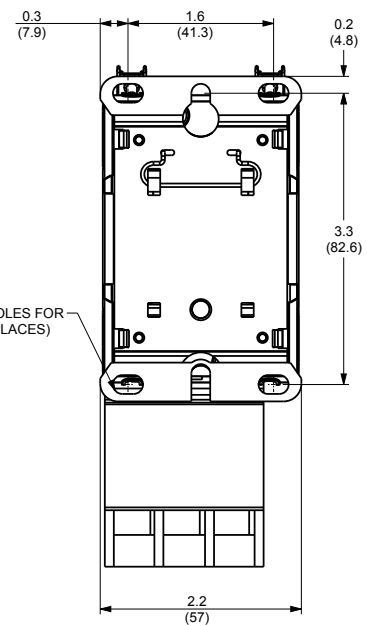
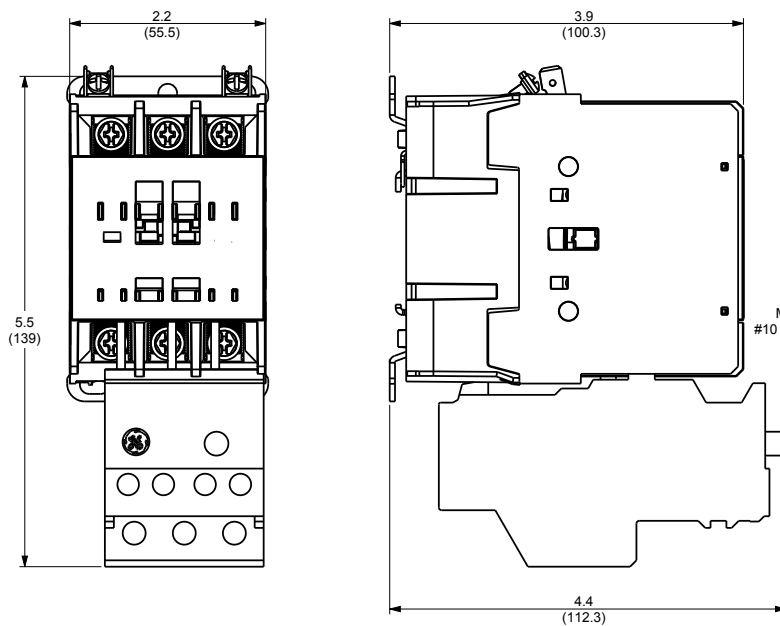
Section 4

CR554

Outlines, Dimensions in./(mm) and Weights (For Estimating Only)
25A-40A



CR554AB3/CR554AC3 + Overload Relay



CR554AD3 + Overload Relay

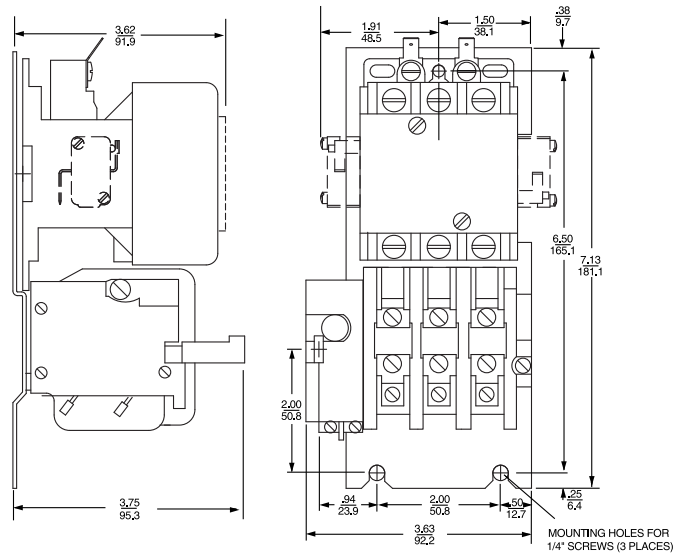


Definite Purpose Controls Full Voltage Starters

Section 4

CR354E/F

Outlines, Dimensions in./(mm) and Weights (For Estimating Only)
50A-60A



CR354F + 250V Aux. Contacts



Definite Purpose Controls Full Voltage Contactors

Section 4

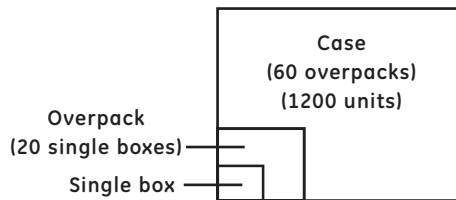
Bulk Pack Data

CR453C Bulk Pack

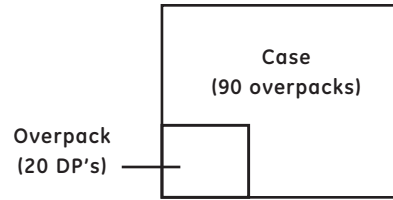
Packaging	Description	Units	Item	Weight	Dimensions (H x W x D)
Units in single boxes	Single box	1	1-pole	10.1 oz.	.3" x 2.4" x 3.7"
Units in single boxes	Single box	1	1-pole + shunt	10.4 oz.	.3" x 2.4" x 3.7"
Units in single boxes	Single box	1	2-pole	10.5 oz.	.3" x 2.4" x 3.7"
Units in single boxes	Overpack (20 single boxes)	20	1-pole	2.5 lbs.	7.9 x 8" x 13"
Units in single boxes	Overpack (20 single boxes)	20	1-pole + shunt	2.6 lbs.	7.9 x 8" x 13"
Units in single boxes	Overpack (20 single boxes)	20	2-pole	2.6 lbs.	7.9 x 8" x 13"
Units in single boxes	Case (60 overpacks)	1,200	1-pole	180.8 lbs.	39" x 43.3" x 42.1"
Units in single boxes	Case (60 overpacks)	1,200	1-pole + shunt	185.2 lbs.	39" x 43.3" x 42.1"
Units in single boxes	Case (60 overpacks)	1,200	2-pole	186.8 lbs.	39" x 43.3" x 42.1"
Units in single boxes	20' container (20 cases)	24,000	1-pole	3,616 lbs. (net)	7.8' x 7.7' x 19.4'
Units in single boxes	20' container (20 cases)	24,000	1-pole + shunt	3,704 lbs. (net)	7.8' x 7.7' x 19.4'
Units in single boxes	20' container (20 cases)	24,000	2-pole	3,736 lbs. (net)	7.8' x 7.7' x 19.4'
Units in single boxes	40' container (44 cases)	52,800	1-pole	7,955 lbs. (net)	7.8' x 7.7' x 39.5'
Units in single boxes	40' container (44 cases)	52,800	1-pole + shunt	8,149 lbs. (net)	7.8' x 7.7' x 39.5'
Units in single boxes	40' container (44 cases)	52,800	2-pole	8,219 lbs. (net)	7.8' x 7.7' x 39.5'
Units bulk packed	Overpack (20 DPs)	20	1-pole	12.5 lbs.	3.7" x 11.2" x 14.2"
Units bulk packed	Overpack (20 DPs)	20	1-pole + shunt	12.66 lbs.	3.7" x 11.2" x 14.2"
Units bulk packed	Overpack (20 DPs)	20	2-pole	12.66 lbs.	3.7" x 11.2" x 14.2"
Units bulk packed	Case (90 overpacks)	1,800	1-pole	236.5 lbs.	41.3" x 44.5" x 35.4"
Units bulk packed	Case (90 overpacks)	1,800	1-pole + shunt	243.1 lbs.	41.3" x 44.5" x 35.4"
Units bulk packed	Case (90 overpacks)	1,800	2-pole	245.5 lbs.	41.3" x 44.5" x 35.4"
Units bulk packed	20' container (24 cases)	43,200	1-pole	5,676 lbs. (net)	7.8' x 7.7' x 19.4'
Units bulk packed	20' container (24 cases)	43,200	1-pole + shunt	5,834 lbs. (net)	7.8' x 7.7' x 19.4'
Units bulk packed	20' container (24 cases)	43,200	2-pole	5,652 lbs. (net)	7.8' x 7.7' x 19.4'
Units bulk packed	40' container (52 cases)	93,600	1-pole	12,298 lbs. (net)	7.8' x 7.7' x 39.5'
Units bulk packed	40' container (52 cases)	93,600	1-pole + shunt	12,641 lbs. (net)	7.8' x 7.7' x 39.5'
Units bulk packed	40' container (52 cases)	93,600	2-pole	12,766 lbs. (net)	7.8' x 7.7' x 39.5'

CR553A Bulk Pack

Product	Rating	Poles	Min. Order / Additional Multiples	Items per Box	Box Weight (lbs)	Box Dimension (H x W x D)
Contactors with no aux. contacts	25-30A	3	96 / 96	8	6	7.5" x 7.5" x 9"
Contactors with no aux. contacts	40A	3	96 / 96	8	10	8.5" x 8.5" x 9.5"
Contactors with no aux. contacts	25-40A	4	96 / 96	8	11	8.5" x 8.5" x 9.5"
Contactors with aux. contacts	25-30A	3	96 / 96	8	6	7.5" x 7.5" x 13.5"
Contactors with aux. contacts	40A	3	96 / 96	8	10	8.5" x 8.5" x 15"
Contactors with aux. contacts	25-40A	4	96 / 96	8	11	8.5" x 8.5" x 15"



CR453C units in single boxes



CR453C units in bulk pack

