

ENVIRONMENTALLY FRIENDLY, ENERGY EFFICIENT

- 1000 lumen unit provides comparable light output to a 75W PAR30 halogen, 2000 lumen unit provides output similar to a 39W PAR30 Metal Halide; all while utilizing less energy and having a rated life of 50,000 hours
- No harmful ultraviolet or infrared wavelengths
- No lead or mercury

PRODUCT SPECIFICATIONS

Electrical

LED Light Engine: High output LED arrays provide outstanding reliability, performance and color quality/consistency • 2700K, 3000K, 3500K or 4000K color temperatures • 80 CRI minimum • Consistent fixture-to-fixture color temperature that is within 3 MacAdams ellipses

Dimming: Dimmable via 0-10V controller • For a list of compatible dimmers see [LED-DIM](#)

LED Driver: Universal driver accommodates 120 to 277 input volts AC at 50/60Hz

• Power factor >0.9 • Easily replaceable from below or above the ceiling.

Life: Rated for 50,000 hours at 70% lumen maintenance

Operation Temperature: -40° to 45° C

Mechanical

LED Fixture Head: Cast aluminum housing is removable for ease of maintenance and interchangeability of beam distributions and color temperatures • LED fixture heads can be ordered and shipped separately from rough-in housing • Integral die-cast accessory holder and optional metal snoot for improved lamp shielding • Accessory louver or snoot can be combined with one (1) accessory color filter

Adjustability: 40° vertical aiming capability and 360° horizontal rotation • Each lamp-holder is individually aimable

Trim Finish: Black trim w/ black lamp heads and white flange (BL) or white trim w/ white lamp heads and white flange (WH) • Heavy gauge steel

Housing: 22 gauge die-formed galvanized steel, vented • Universal housing design installs in suspended grid, plaster or drywall • Integral heat sink conducts heat away from LED light engine • Drivers are accessible from above and below ceiling • Light engine and driver can be upgraded to accommodate future technology improvements. • Active cooling (2000 lumens only) • Rough-in housing can be ordered separately from fixture heads, see Individual Component Ordering Information below.

Mounting Bracket: Mounting brackets have 2.5" vertical adjustment and accept proprietary Tru-Lock bar hangers, 1-1/2" C-channel and flat linear bars (order as accessories) or 1-1/2" EMT, 3/4" and 1-1/2" lathing channel (by others) • One-piece Tru-Lock bar hangers have integral T-bar locking screws and alignment notches for locating and locking fixture in the center or 1/4" tile increments

Labels and Listings

- UL listed for dry/damp locations • UL and cUL, RoHS compliant
- EMI complies with FCC 47, Part 15, Class A
- Energy Star Qualified
- I.B.E.W. Union made • ARRA Compliant



Warranty: 5 years when used in accordance with manufacturing guidelines.

Product specifications subject to change without notice.

COMPLETE UNIT

ORDERING INFORMATION: Complete fixtures and accessories each ordered separately.

Example: **MSS30-NN-1030-WH2**

Cat. #	Beam Spread/One Per Lamp	Lumens	Color Temp.	Voltage	Finish	Generation	Options
MSS30	-	-	-	-	-	2	-
MSS30	S Spot	10	27 2700K	1 120V	WH White		***F Fuse and Fuse Holder (Where *** = voltage)
1, 2 & 3-Lamp LED, Multi-Spot PAR30 Size	N Narrow Flood	1000 Lumens	30 3000K	2 277V	BL Black		†CP Chicago Plenum
	F Flood	2000 Lumens	35 3500K	3 347V			†LDI Lumen Depreciation Indicator
			40 4000K				

INDIVIDUAL COMPONENT ORDERING INFORMATION: Use when ordering rough-in housing, fixture head, options and accessories separately.

Example: **MSSR303-101-WH-2**

Rough-In	Lumens	Voltage	Finish	Generation	Options
-	-	-	-	2	-
MSSR301	10	1 120V	WH White		***F Fuse & Fuse Holder (Where *** = voltage)
1-Lamp LED, PAR30 Size Rough-in	Lumens	2 277V	BL Black		†CP Chicago Plenum
MSSR302	20	3 347V			†LDI Lumen Depreciation Indicator
2-Lamp LED, PAR30 Size Rough-in	Lumens				
MSSR303	35				
3-Lamp LED, PAR30 Size Rough-in	Lumens				

Example: **MSSH30N-1030-WH-2**

Lamp Head/Beam Spread	Lumens	Color Temp.	Finish	Generation
-	-	-	-	2
MSSH30S	10	27 2700K	WH White	
LED Head; Spot	1000 Lumens	30 3000K	BL BLACK	
MSSH30N	20	35 3500K		
LED Head; Narrow Flood	2000 Lumens	40 4000K		
MSSH30F	35			
LED Head; Flood	3500 Lumens			

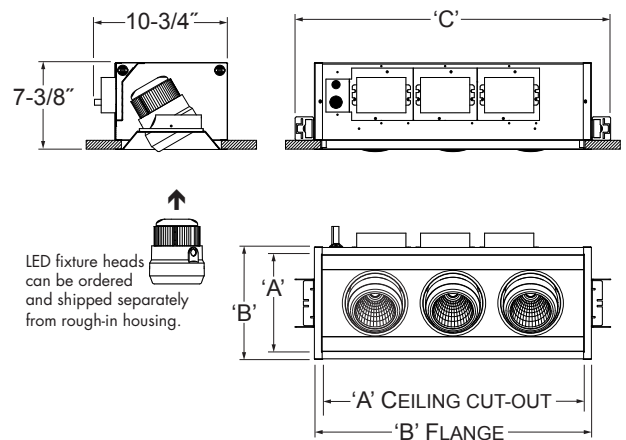
MULTI-SPOT® LED 1000/2000 LUMENS

Multi-Lamp Recessed Adjustables
1, 2 & 3 Head LED Units



Type	Cat. No.
_____	_____
Project:	_____
Notes:	_____

DIMENSIONS



# of Heads	Ceiling Cut-out 'A'	Dim. 'B'	Dim. 'C'
1	8-1/2" x 8-5/8"	9-1/2" x 9-5/8"	12-7/8"
2	8-1/2" x 13-5/8"	9-1/2" x 14-5/8"	17-7/8"
3	8-1/2" x 22-5/8"	9-1/2" x 23-5/8"	26-7/8"

Example: **HB-TL**

Accessories	
HB-TL	Two 25" Tru-Lock Grid Ceiling Bar Hangers, Pair
HB-28	Two 28" C-Channel Bar Hangers, Pair
HB-52	Two 52" C-Channel Bar Hangers, Pair
LB-27	Two 27" Linear Bar Hangers, Pair

1086BK ▲	Black Snoot
1086WH ▲	White Snoot
T569BL ▲	Louver - 3/4" Dia. with 1/2" Sq. Cells
T561 ▲	Med. Pink Color Filter
T562 ▲	Warm Red Color Filter
T563 ▲	Daylite Blue Color Filter
T564 ▲	Med. Blue Color Filter
T565 ▲	Med. Amber Color Filter
T566 ▲	Med. Green Color Filter
T5677 ▲▲	Prismatic Spread Lens
T5678 ▲▲	Linear Spread Lens
T5621 ▲▲	Uniformity Lens
T5623 ▲▲	High Output Uniformity Lens

▲Not for use with Chicago Plenum or 347V.
▲▲Not for use with snoot or any other accessory.

† Consult Factory for Availability
03/15 Rev.2



PERFORMANCE DATA

	Catalog Number	Input Voltage	Watts (Typical)	Lumens	Efficacy (LPW)	Rated Life (Hours)
2000 Lumens	SPOT-3K/35K/4K	120V	29.6W	2026	68	50,000
	NARROW FLOOD-3K/35K/4K	120V	29.6W	2027	68	50,000
	FLOOD-3K/35K/4K	120V	29.6W	2208	74	50,000
	SPOT-27K	120V	29.6W	1965	66	50,000
	NARROW FLOOD-27K	120V	29.6W	1966	66	50,000
1000 Lumens	SPOT-3K/35K/4K	120V	14.8W	1055	71	50,000
	NARROW FLOOD-3K/35K/4K	120V	14.8W	1064	72	50,000
	FLOOD-3K/35K/4K	120V	14.8W	1175	79	50,000
	SPOT-27K	120V	14.8W	1023	69	50,000
	NARROW FLOOD-27K	120V	14.8W	1032	70	50,000
FLOOD-27K	120V	14.8W	1139	77	50,000	

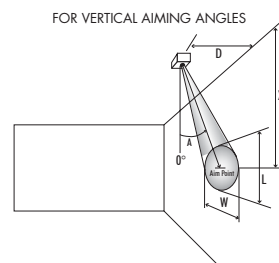
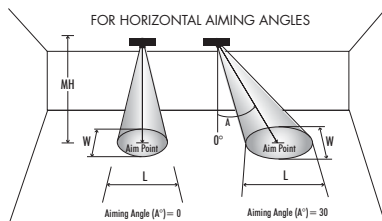
MULTI-SPOT®

1000/2000 Lumen LED

ENGINEERING DATA

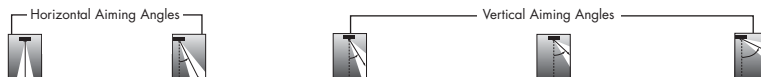
Voltage	120V	277V	120V	277V
Light Engine Lumens	1000	1000	2000	2000
CCT	27K/3K/35K/4K	27K/3K/35K/4K	27K/3K/35K/4K	27K/3K/35K/4K
Input Current	0.12A	0.05A	0.24A	0.12A
Input Wattage	15W	15W	30	30
Input Frequency	50/60Hz	50/60Hz	50/60Hz	50/60Hz
Power Factor	>0.92	>0.86	>0.92	>0.86

347 Volt available, consult factory.



CBCP - Centerbeam candlepower
FC - Footcandles at beam center (aim point)

In vertical aiming applications, aim point (X) is determined by dividing distance from the wall (D) by the tangent of the desired aim angle (A) (0.5774 for 30°, 1.0 for 45°).



Lamp	Beam Type	Beam Spread°	Rated Life	CBCP	0°		30°			30°				45°				60°							
					MH	FC	L	W	FC	L	W	D	FC	X	L	W	FC	X	L	W	D	FC	X	L	W
30W LED, 2000 Lumens, 3K/35K/4K, Spot	SP	9°	50000	28,092	8	439	1.2	1.2	285	1.6	1.4	4	219	6.9	2.4	1.2	621	4.0	1.2	0.8	6	507	3.5	1.2	1.0
					10	281	1.5	1.5	182	2.0	1.7	6	98	10.4	3.6	1.8	276	6.0	1.8	1.3	9	225	5.2	1.8	1.5
					12	195	1.8	1.8	127	2.4	2.1	8	55	13.9	4.8	2.4	155	8.0	2.4	1.7	12	127	6.9	2.4	2.1
					14	143	2.1	2.1	93	2.8	2.4	10	35	17.3	6.0	3.0	99	10.0	3.0	2.1	15	81	8.7	3.0	2.6
					16	110	2.4	2.5	71	3.2	2.7	12	24	20.8	7.3	3.6	69	12.0	3.6	2.5	18	56	10.4	3.6	3.1
30W LED, 2000 Lumens, 3K/35K/4K, Narrow Flood	NFL	23°	50000	11,276	6	313	2.4	2.4	203	3.2	2.8	2	352	3.5	3.6	1.6	997	2.0	1.7	1.1	4	458	2.3	2.2	1.8
					8	176	3.2	3.2	114	4.3	3.7	3	157	5.2	5.2	2.4	443	3.0	2.5	1.7	6	203	3.5	3.2	2.8
					10	113	4.0	4.0	73	5.4	4.6	4	88	6.9	7.2	3.2	249	4.0	3.3	2.3	8	114	4.6	4.3	3.7
					12	78	4.8	4.8	51	6.5	5.5	5	56	8.7	9.0	4.0	159	5.0	4.1	2.8	10	73	5.8	5.4	4.6
					14	58	5.6	5.6	37	7.5	6.4	6	39	10.4	10.8	4.8	111	6.0	5.0	3.4	12	51	6.9	6.5	5.5
30W LED, 2000 Lumens, 3K/35K/4K, Flood	FL	42°	50000	6917	4	286	3.0	3.0	185	4.3	3.5	2	143	3.5	10.7	3.0	404	2.0	3.6	2.1	2	742	1.2	2.1	1.8
					5	183	3.8	3.8	119	5.3	4.4	3	63	5.2	16.1	4.6	179	3.0	5.3	3.2	3	330	1.7	3.2	2.6
					6	127	4.6	4.6	82	6.4	5.3	4	36	6.9	21.4	6.1	101	4.0	7.1	4.3	4	185	2.3	4.3	3.5
					7	93	5.3	5.3	61	7.4	6.1	5	23	8.7	26.8	7.6	65	5.0	8.9	5.4	5	119	2.9	5.3	4.4
					8	71	6.1	6.1	46	8.5	7.0	6	16	10.4	32.2	9.1	45	6.0	10.7	6.4	6	82	3.5	6.4	5.3
15W LED, 1000 Lumens, 3K/35K/4K, Spot	SP	9°	50000	14,720	6	409	0.9	0.9	266	1.2	1.0	4	115	6.9	2.4	1.2	325	4.0	1.2	0.8	6	266	3.5	1.2	1.0
					8	230	1.2	1.2	149	1.6	1.4	6	51	10.4	3.6	1.8	145	6.0	1.8	1.3	9	118	5.2	1.8	1.5
					10	147	1.5	1.5	96	2.0	1.7	8	29	13.9	4.8	2.4	81	8.0	2.4	1.7	12	66	6.9	2.4	2.1
					12	102	1.8	1.8	66	2.4	2.1	10	18	17.3	6.0	3.0	52	10.0	3.0	2.1	15	42	8.7	3.0	2.6
					14	75	2.1	2.1	49	2.8	2.4	12	13	20.8	7.3	3.6	36	12.0	3.6	2.5	18	30	10.4	3.6	3.1
15W LED, 1000 Lumens, 3K/35K/4K, Narrow Flood	NFL	23°	50000	6203	4	388	1.6	1.6	252	2.2	1.8	2	194	3.5	3.6	1.6	548	2.0	1.7	1.1	4	252	2.3	2.2	1.8
					6	172	2.4	2.4	112	3.2	2.8	3	86	5.2	5.4	2.4	244	3.0	2.5	1.7	6	112	3.5	3.2	2.8
					8	97	3.2	3.2	63	4.3	3.7	4	48	6.9	7.2	3.2	137	4.0	3.3	2.3	8	63	4.6	4.3	3.7
					10	62	4.0	4.0	40	5.4	4.6	5	31	8.7	9.0	4.0	88	5.0	4.1	2.8	10	40	5.8	5.4	4.6
					12	43	4.8	4.8	28	6.5	5.5	6	22	10.4	10.8	4.8	61	6.0	5.0	3.4	12	28	6.9	6.5	5.5
15W LED, 1000 Lumens, 3K/35K/4K, Flood	FL	42°	50000	4568	4	286	3.0	3.0	185	4.3	3.5	2	143	3.5	10.7	3.0	404	2.0	3.6	2.1	2	742	1.2	2.1	1.8
					5	183	3.8	3.8	119	5.3	4.4	3	63	5.2	16.1	4.6	179	3.0	5.3	3.2	3	330	1.7	3.2	2.6
					6	127	4.6	4.6	82	6.4	5.3	4	36	6.9	21.4	6.1	101	4.0	7.1	4.3	4	185	2.3	4.3	3.5
					7	93	5.3	5.3	61	7.4	6.1	5	23	8.7	26.8	7.6	65	5.0	8.9	5.4	5	119	2.9	5.3	4.4
					8	71	6.1	6.1	46	8.5	7.0	6	16	10.4	32.2	9.1	45	6.0	10.7	6.4	6	82	3.5	6.4	5.3

The beam spread in degrees and the beam "L" and "W" in the above tables are computed at 50% of centerbeam candlepower and represent areas of "effective illumination".
 For 2700K fixtures, use 0.97 multiplier.

Fixtures tested to IES recommended standard for solid state lighting per LM-79-08.
 Photometric performance on a single unit represents a baseline of performance for the fixture. Results may vary in the field.

