

Exit and Emergency Lighting

Specification-grade exit and emergency lighting for commercial, retail and institutional applications





Table of Contents

Exits Signs 4-15

Surface Mount Edge-Lit LED Exit Signs	6
Recessed Mount Edge-Lit LED Exit Signs	7
Die-Cast Aluminum LED Exit Signs	8
Steel LED Exit Signs	9
Thermoplastic LED Exit Signs	10
Thermoplastic LED Combo Exit/Emergency Lights	12-14
Wet Location LED Exit & Exit/Emergency Lights	15

Emergency Lighting 16-35

Adjustable Square Head Emergency Lights	18-19
Fixed Head Emergency Lights	20
Adjustable MR16 Head Emergency Lights	21
High Performance Round Adjustable Head Emergency Lights	22
Architectural Emergency Light Wall Sconces	24-25
Recessed Emergency Lights	26-27
Wet Location Emergency Lights	28
High Wattage Emergency Lights	29
Remote Head Emergency Lights	30-33
Fluorescent Emergency Lighting Ballasts	34-35

Chicago Code Exit & Emergency Lighting 36-43



Recessed Edge-Lit Exit Signs	38
Surface Mount Edge-Lit Exit Signs	39
Steel LED Exit Signs	40
T-Bar Recessed Emergency Lights	41
Steel Emergency Lights	42-43



New York Approved Exit & Emergency Lighting 44-51

Surface Mount Edge-Lit LED Exit Signs	46
Recessed Mount Edge-Lit LED Exit Signs	47
Die-Cast Aluminum LED Exit Signs	48
Steel LED Exit Signs	49
Steel LED Combo Exit/Emergency Lights	50
Emergency Lights	51

Accessories 52-54

Voltage Drop/Wire Selection Guide 55

Replacement Parts 56

Life Safety Code 57





Showing the way in affordable, high-performance **exit and emergency lighting**

Navilite Exit and Emergency Lighting products offer reliability, easy installation, and great value. Featuring the premium quality and exemplary service Juno Lighting Group is famous for, Navilite-brand is the ideal single-source for all your retail, commercial, and industrial requirements. To serve you better, most Navilite products are in stock and available for delivery in one week or less.

Our comprehensive product line includes exit signs, emergency lighting units, remote fixture heads, and accessories to suit practically any application. All Navilite exit signs feature ultra-efficient, long-life LED illumination that provides dramatic reductions in operating costs and offers exceptional reliability. LEDs can also be found in the Navilite emergency-lighting product family, providing superior control of light distribution and a smaller fixture footprint.

Navilite exit and emergency lighting products are designed to comply with the latest codes and performance standards including: UL924, NFPA 101 Life Safety Code, NEC, OSHA, and most state and local codes. Navilite exit signs also comply with EPACT 2005, which stipulates that all such devices must operate on five-watts or less while in standby mode. Selected Navilite products are certified for use in wet or damp locations.

In addition to the standard product line, Navilite-brand also includes a complete offering of exit signs and emergency lights that conform to the Chicago Code; other products are New York Approved. But no matter what the application or code requirements, be assured of this: Navilite products are designed for maximum durability, reliability, and efficiency ... optimized for high-performance and affordability.





NaviLite LED Exit Signs

NaviLite LED Exit Signs incorporate today's most technologically advanced light source. LEDs consume a mere fraction of the energy used by other lighting technologies and have such long life spans that they are virtually maintenance-free. LEDs combined with custom diffusing systems provide bright, uniform illumination, assuring that NaviLite exit signs excel at their assigned task.

NaviLite LED exit signs offer a variety of aesthetically pleasing designs, featuring soft, rounded edges and rich, subtle textures. They are constructed of durable materials such as polycarbonate/ABS copolymers, heavy-gauge steel, and die-cast aluminum. They are color stable, impact resistant, flame retardant, and scratch resistant. Many designs include a quick-connect feature, and all have field-configurable chevron direction indicators.

The NaviLite LED exit sign family also features a selection of combo units that integrate exit signage with emergency lighting. The newest offering incorporates LED fixture heads that provide superior light distribution control, while reducing wattage requirements and improving battery life.

For maximum performance at minimal operating cost, there is no better choice than NaviLite LED exit signs.

Surface Mount Edge-Lit LED Exit Sign – NXESA Series

Ideal for architectural applications. Surface Mount Edge-Lit LED Exit Signs offer specification grade aesthetics with in-field installation flexibility.



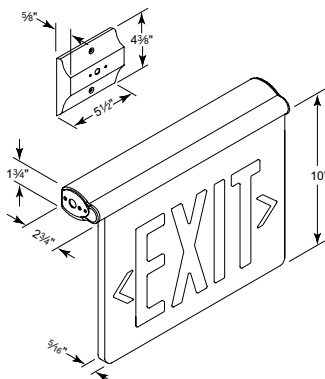
Features

- Long life, energy saving LED lamps
- Aesthetically pleasing extruded aluminum housing in white and anodized aluminum finishes
- Adjustable angle face plate design for slope ceiling applications
- Crystal clear acrylic face panel (single face)
- Mirror divider on double face versions
- Field applied chevron directional indicators – pioneered by Juno® in 1997 - simplifies specifications and installation
- Tri-mount canopy (included) enables top, back or end mounting
- Dual voltage 120/277 VAC operation
- Maintenance-free sealed battery (battery back-up versions)

Ordering Information

Series	Number of Faces	Letter Color	Finish	Options	Example Cat. #
NXESA	1	R	AA	2C	NXESA1RAA2C
NXESA AC Only	1-Single Face, Clear Background	R-Red G-Green	WH-White AA-Anodized Aluminum	2C-Two independent Circuits (Available with white finish only)	
NXESBA Battery Backup	2-Double Face, Mirror Background				

Dimensions



Adjustable Angle
Face Plate Shown

Recessed Mount Edge-Lit LED Exit Sign – NXECRA Series

Ideal choice for upscale office, healthcare facilities, and high-rises. Offers all the benefits of LED lighting, like energy efficiency, minimum maintenance, and high reliability. Plug in connectors and Juno® pioneered field applied directional chevrons round the package for easy specification and installation.



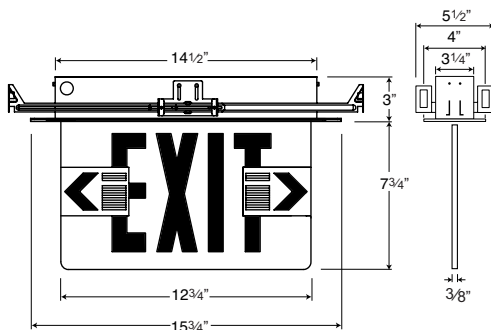
Features

- Long life, energy saving LED lamps
- Crystal clear acrylic face panel
- Steel recessed housing with plug-in connectors for quick and easy trim installation
- Vertically adjustable up to 1" to accommodate different ceiling thickness
- Dual voltage 120/277 VAC operation
- A quick connector makes attaching the trim to the housing fast and easy
- Recessed housing comes with 3/4" knock-outs for AC input in different locations
- Maintenance-free sealed NiCad battery (battery back-up versions)

Ordering Information

Series	Number of Faces	Letter Color	Finish	Example Cat. #
NXECRA	1	R	AA	NXECRA1RAA
NXECRA AC Only	1-Single Face 2-Double Face	R-Red G-Green	WH-White AA-Anodized Aluminum	
NXCRBA Battery Backup				

Dimensions



Die-Cast Aluminum LED Exit Signs – NXD Series

Die Cast Aluminum LED Exit Signs offer rich, unparalleled aesthetics in a durable, all-metal construction. This cost-effective package offers premium performance and simplified installation, making it the benchmark selection for both architectural and commercial applications.



Features

- Long life, energy saving LED lamps
- Architectural-grade, die cast aluminum housing in a variety of finishes
- Gently arched faceplate snaps into housing without tools
- Field selectable chevron directional indicator knockouts
- Integral wiring channels to facilitate installation
- Universal mounting pattern knockouts in backplate for J-box mounting
- Die cast aluminum canopy (included) enables top or end mounting
- Single face versions can easily be field converted to double face with faceplate accessory
- Dual voltage 120/277 VAC operation
- Maintenance-free sealed nickel cadmium battery (battery backup versions)

Ordering Information

Series	Operation	Number of Faces	Letter Color	Finish	Options	Example Cat. #
NXD	B	1	R	WH	SD	NXDB1RWHSD
NXD Series	Blank-AC only B-Battery Backup	1-Single Face 2-Double Face	R-Red G-Green	WH-White BL-Black BA-Brushed Aluminum BAB-Brushed Aluminum Face/ Black Housing BAW-Brushed Aluminum Face/ White Housing	SD-Self-Diagnostic ¹	

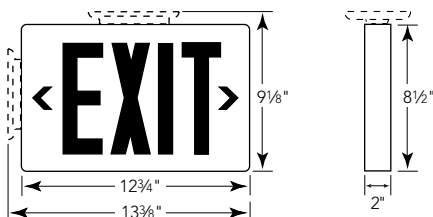
Accessories (includes red and green diffuser)

Catalog Number	Description
NXDFPRGWH	Second Faceplate – White
NXDFPRGBL	Second Faceplate – Black
NXDFPRGBA	Second Faceplate – Brushed Aluminum

¹Available exclusively on Battery Backup signs.

Note: For compatible accessories, see page 53.

Dimensions



Steel LED Exit Signs – NXS Series

Steel Exit Signs offer a sleek appearance in a rugged design. Ideal for applications that require the durability of metal construction in an economical package, along with the operating savings provided by LED lamps.



Features

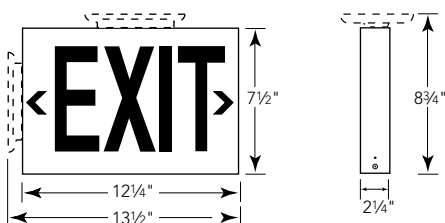
- Long life, energy saving LED lamps
- Rugged, heavy duty, 20-gauge die-formed steel construction
- Corrosion resistant polyester powder coat paint
- Field selectable chevron directional indicator knockouts
- Universal mounting pattern knockouts in backplate for J-box mounting
- Screw-on canopy (included) for simple top or end mounting
- Universal single face and double face (extra faceplate included)
- Dual voltage 120/277 VAC operation
- Maintenance-free sealed nickel cadmium battery (battery backup versions)

Ordering Information

Series	Operation	Number of Faces	Letter Color	Finish	Example Cat. #
NXS	B	3	G	BL	NXSB3GBL
NXS Series	Blank-AC only B-Battery Backup	3-Universal Single and Double Face	R-Red G-Green	WH-White BL-Black	

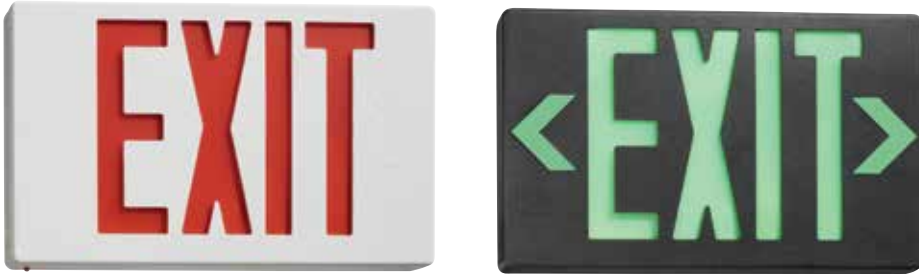
Note: For compatible accessories, see page 53.

Dimensions



Thermoplastic LED Exit Signs – NXP Series

Slim profile Thermoplastic LED Exit Signs offer long lamp life, energy efficiency and uniform illumination in an economical package. Possessing premium installation features such as a snap-fit canopy and housing, along with push-out chevron directional indicators, the NXP Series offers unsurpassed value in an aesthetically pleasing design.



Features

- Long life, energy saving LED lamps
- Injection molded, high impact, UV-stabilized thermoplastic construction in black or white finishes
- Snap-fit faceplate installs without the use of tools
- Field replaceable chevron directional indicator knockouts
- Integral wiring channels to facilitate installation
- Universal mounting pattern knockouts in backplate for J-box mounting
- Snap-fit canopy (included) enables speedy top or end mounting
- Universal single face and double face (extra faceplate included)
- Dual voltage 120/277 VAC operation
- Maintenance-free sealed nickel cadmium battery (battery backup versions)
- Optional High Output versions can power an additional 11 Watts (for remote heads) for 90 minutes
- Damp location listed

Ordering Information

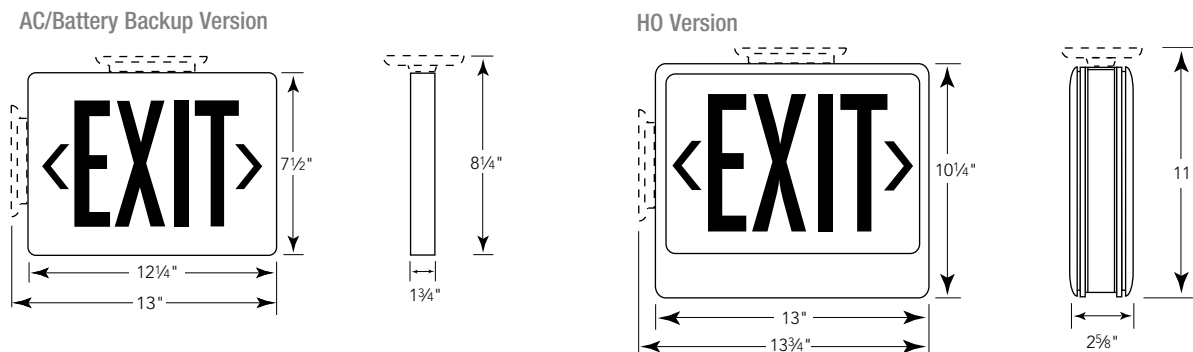
Series	Operation	Number of Faces	Letter Color	Finish	Options	Example Cat. #
NXP	B	3	R	WH	HO	NXPB3RWHHO
NXP Series	Blank-AC only B-Battery Backup	3-Universal Single and Double Face	R-Red G-Green	WH-White BL-Black	2C-Two-Circuit ¹ HO-High Output ² SD-Self-Diagnostic ²	

Note: For compatible accessories, see page 53.

¹ Available exclusively on AC Only signs.

² Available exclusively on Battery Backup signs and uses sealed lead calcium battery; Options may not be combined.

Dimensions





Thermoplastic All LED Combo Exit/Emergency Light – NXPCL Series (White LED Heads)

Energy saving combination LED exit sign and emergency lighting unit in one compact, modern design. Flexibility and multi-function capabilities make our combo light one of our most popular models. Includes white LED lighting heads.



Features

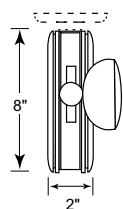
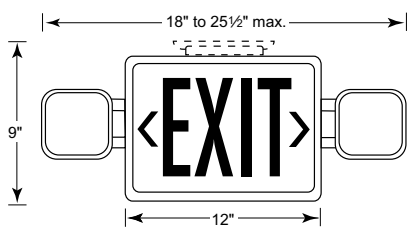
- LED exit sign with white LED heads
- Injection molded, high impact, UV-stabilized thermoplastic construction in black and white finishes
- Snap-fit faceplate installs without the use of tools
- Field replaceable chevron directional indicators
- Dual voltage 120/277 VAC operation
- Maintenance-free 9.6V NiCad battery
- Optional High Output versions can power up to two additional remote heads (NRLCSQ & NRLCWP series remote heads - see pages 30-31)
- Snap-fit canopy (included) enables speedy top mounting
- Universal single face and double face (extra faceplate included)
- Fully adjustable lighting heads rotate up to 270°

Ordering Information

Series	Number of Faces	Letter Color	Finish	Options	Example Cat. #
NXPCL	3	R	WH	HO	NXPCL3RWHHO
NXPCL Series	3-Universal Single/Double Face	R-Red G-Green	WH-White BL-Black	HL-High Lumen, delivers 50% more light HO-High Output/Remote Capable SD-Self-Diagnostics	

Note: For compatible accessories see page 53. For remote heads, see NRLCSQ and NRLCWP Series on p. 30-31.

Dimensions



Heads rotate 270°+ for maximum field flexibility.



Thermoplastic Combo Exit/Emergency Lights – NXPC Series (Incandescent Heads)

Energy saving combination LED exit sign and incandescent emergency lighting unit in one compact, modern design. Flexibility and multi-function capabilities make our combo lights one of our most popular models.



Features

- Incandescent lighting heads
- Long life, energy saving LED exit sign
- Injection molded, high impact, UV-stabilized thermoplastic construction in black or white finishes
- Snap-fit faceplate installs without the use of tools
- Field replaceable chevron directional indicator knockouts
- Integral wiring channels to facilitate installation
- Universal mounting pattern knockouts in backplate for J-box mounting
- Snap-fit canopy (included) enables speedy top mounting
- Universal single face and double face (extra faceplate included)
- Dual voltage 120/277 VAC operation
- Maintenance-free 6V sealed lead calcium battery
- Includes two 6V, 5.4W adjustable emergency lighting heads (incandescent wedge base lamps)
- Emergency lighting heads rotate up to 270° for optimum aiming
- Optional High Output versions can power an additional 11 Watts for 90 minutes
- Damp location listed

Ordering Information

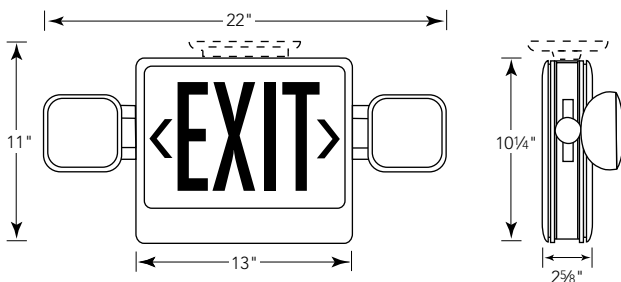
Series	Number of Faces	Letter Color	Finish	Options	Example Cat. #
NXPC	3	R	WH	HO	NXPC3RWHHO
NXPC Series	3-Universal Single and Double Face	R-Red G-Green	WH-White BL-Black	HO-High Output ¹ SD-Self-Diagnostic ²	

Note: For compatible accessories, see page 53. For remote heads, see p.32-33.

¹ In addition to the two 5.4W factory attached heads, the HO Option provides an additional 11 Watts remote capacity for 90 minutes.

² Options may not be combined.

Dimensions



Heads rotate 270°+ for maximum field flexibility.

Wet Location LED Exit Signs and Wet Location Combo Exit Sign/Emergency Lights – NXW Series

Wet location approved exit signs feature an enclosure resistant to corrosive atmospheres, non-hazardous dust environments, hose-downs water spray or splashing water.



Features

- Long life, energy saving LED exit sign
- Corrosion and impact resistant thermoplastic housing
- Clear polycarbonate faceplate with white vinyl EXIT stencil
- Sealed and gasketed housing
- Sealed test switch and power indicator light
- Integral breather vent
- Field selectable chevron directional indicator punch-outs
- Single face, surface mount versions only
- Includes mounting screws and hardware
- Dual voltage 120/277 VAC operation
- Listed for wet location applications (0°C-40°C)
- Maintenance-free sealed nickel cadmium battery (battery backup exits)
- Maintenance-free 6V sealed nickel cadmium battery (combo versions)
- Combo version includes two sealed and gasketed 6V, 5.4W weatherproof lighting heads with tempered glass lenses (incandescent wedge base lamps)

Ordering Information – AC Only Units

Catalog Number	Letter Color	Housing Finish
NXWRGY	Red	Gray
NXWGGY	Green	Gray

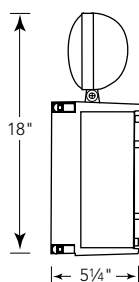
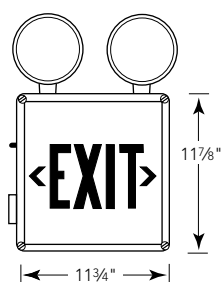
Ordering Information – Battery Backup Units

Catalog Number	Letter Color	Housing Finish
NXWBRGY	Red	Gray
NXWBGGY	Green	Gray

Ordering Information – Combo Units

Catalog Number	Letter Color	Housing Finish
NXWCRGY	Red	Gray
NXWCGGY	Green	Gray

Dimensions





men's lounge



NaviLite

Emergency Lighting

When power outages occur, you need emergency lighting you can depend on. Fortunately, you can always count on NaviLite products to perform when the chips are down. Our emergency lighting units offer rugged design and construction for reliable operation in a wide variety of retail, commercial, and industrial applications, including damp or wet locations if specified. They are quick and easy to install and feature fully adjustable lighting heads that can be aimed in any direction. Remote lighting heads provide additional design flexibility for demanding environments.

The NaviLite product family now features a selection of emergency lighting units with state of the art LED light sources. LEDs offer better light distribution control than other sources, enabling them to produce a more focused light beam from fewer watts. Doing more-with-less results in longer battery life and a reduced fixture footprint. And since LEDs have such remarkably long life spans, lamp maintenance is virtually a thing of the past. NaviLite LED technology is available in a variety of emergency-light configurations, including multi-head units, remote fixture heads and attractive wall sconces.

All NaviLite emergency lighting solutions possess contemporary good-looks that enable them to blend well in any environment. They feature dual voltage 120/277 VAC operation for added versatility and offer a variety of specialty items such as fluorescent emergency ballasts.

NaviLite emergency lighting is ready to perform when you need it the most, providing reliable, automatic operation.

NaviLite Emergency Lighting features include:

- Rugged design with contemporary styling
- Fast, easy installation
- Dual voltage 120/277 VAC operation
- Fully adjustable lighting heads enabling them to aim in any direction
- Remote capability for greater design flexibility
- Damp or Wet Location listings for special environments (on select models)
- LED or incandescent light sources

Adjustable Square Head LED Emergency Lights – N1L Series

Contemporary design, full adjustability, quick installation and LED technology in a stylish and economical package.



Features

- LED light source, white LED heads
- Injection molded, high impact, UV-stabilized thermoplastic construction
- Compact, low profile design in white and black finishes
- Universal mounting plate with quick-connect feature reduces installation labor
- Universal mounting pattern knockouts in backplate for junction box mounting
- Fully adjustable glare-free lighting heads with white LEDs
- Dual voltage 120/277 VAC operation
- Maintenance-free 3.6V NiCad battery
- Available with HO option for remote loads (see pages 30-31 for compatible LED remote heads).

Ordering Information - Standard Units

Catalog #	Finish	Lamps
N1LWH	White	White LED
N1LBL	Black	White LED
N1LWHSD (Self-Diagnostic)	White	White LED
N1LBLSD (Self-Diagnostic)	Black	White LED

Ordering Information - Remote Capable Units

Catalog #	Finish	Lamps	Max. Remote Capacity
N1LWHHO	White	White LED	2 Heads
N1LBLHO	Black	White LED	2 Heads
N1LWHHOSD (Self-Diagnostic)	White	White LED	2 Heads
N1LBLHOSD (Self-Diagnostic)	Black	White LED	2 Heads

Note: For compatible accessories, see page 53. For remote heads, see NRLSQ and NRLWP Series on p. 30-31.

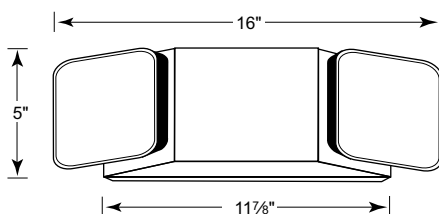
Ordering Information - High Lumen Units

Catalog #	Finish	Lamps
N1LWHHL	White	White LED
N1LBLHL	Black	White LED
N1LWHHLS (Self-Diagnostic)	White	White LED
N1LBLHLS (Self-Diagnostic)	Black	White LED

Ordering Information - High Lumen Units, Remote Capable

Catalog #	Finish	Lamps	Max. Remote Capacity
N1LWHHLHO	White	White LED	2 Heads
N1LBLHLHO	Black	White LED	2 Heads
N1LWHHLHOS (Self-Diagnostic)	White	White LED	2 Heads
N1LBLHLHOS (Self-Diagnostic)	Black	White LED	2 Heads

Dimensions



Adjustable Square Head Incandescent Emergency Lights – N1 Series

Contemporary design, full adjustability, quick installation and premium options in a stylish and economical package.



Features

- Injection molded, high impact, UV-stabilized thermoplastic construction
- Compact, low profile design in white or black finishes
- Universal mounting plate with quick-connect feature reduces installation labor
- Snap-together construction speeds installation
- Universal mounting pattern knockouts in backplate for junction box mounting
- Fully adjustable glare-free incandescent lighting heads
- Dual voltage 120/277 VAC operation
- Maintenance-free 6V sealed lead calcium battery
- Supplied with 6V, 5.4W incandescent wedge base lamps
- Optional High Output versions can power a total of 16.5 Watts for 90 minutes
- Damp location listed
- Suitable for wall or ceiling mounting

Ordering Information – Standard Units

Catalog Number	Finish	Output Voltage	Lamp Wattage	Rated Output Watts		
				1½ hrs.	2 hrs.	4 hrs.
N1WH	White	6V	2 x 5.4W	11	-	-
N1BL	Black	6V	2 x 5.4W	11	-	-
N1WHSD (Self-Diagnostic)	White	6V	2 x 5.4W	11	-	-
N1BLSD (Self-Diagnostic)	Black	6V	2 x 5.4W	11	-	-

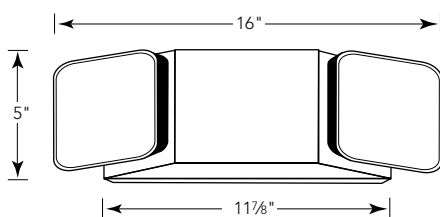
Ordering Information - High Output Units

Catalog Number	Finish	Output Voltage	Lamp Wattage	Rated Output Watts		
				1½ hrs.	2 hrs.	4 hrs.
N1WHHO	White	6V	2 x 5.4W	16.5	11	-
N1BLHO	Black	6V	2 x 5.4W	16.5	11	-
N1WHHOSD (Self-Diagnostic)	White	6V	2 x 5.4W	16.5	11	-
N1BLHOSD (Self-Diagnostic)	Black	6V	2 x 5.4W	16.5	11	-

Remote Head example: In addition to the two 5.4W factory attached heads, the N1WHHO can operate one additional 5.4W remote head (16.2W total) for 1½ hours.

Note: For compatible accessories, see page 53. For remote heads, see p.32-33. Consult factory for alternate lamp choices.

Dimensions



Depth: 5" max.

Adjustable Head LED Emergency Lights – N2L Series

Ultra-compact, low profile, ADA compliant emergency light with white LED adjustable heads.



Features

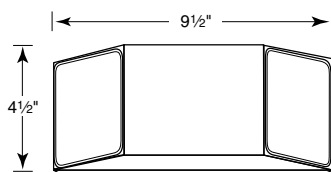
- Injection molded, high impact, UV-stabilized thermoplastic construction
- Ultra-compact, low profile design in white or black finishes (ADA Compliant)
- Universal mounting plate with quick-connect feature reduces installation labor
- Snap-together construction speeds installation
- Universal mounting pattern knockouts in backplate for junction box mounting
- Adjustable optics
- Dual voltage 120/277 VAC operation
- Maintenance-free NiCad battery
- Supplied with white LED lamps
- Damp location listed
- Suitable for wall or ceiling mounting

Ordering Information

Catalog #	Finish	Lamps
N2LWH	White	White LED
N2LBL	Black	White LED

Note: For compatible accessories, see page 53.

Dimensions



Depth: 2 1/4" with Heads Retracted

Depth: 5 1/2" with Heads Fully Extended

Adjustable MR16 Head Emergency Lights – N3 Series

Fully adjustable MR16 designer heads offer a fresh aesthetic in this elegantly designed, quick-install emergency light.



Features

- Injection molded, high impact, UV-stabilized thermoplastic construction
- Compact, low profile design in white or black finishes
- Universal mounting plate with quick-connect feature reduces installation labor
- Snap-together construction speeds installation
- Universal mounting pattern knockouts in backplate for junction box mounting
- Fully adjustable glare-free incandescent lighting heads
- Dual voltage 120/277 VAC operation
- Maintenance-free 6V sealed lead calcium battery
- Supplied with 6V, 5W MR16 halogen lamps
- Optional High Output versions can power a total of 15 Watts for 90 minutes
- Suitable for wall or ceiling mounting

Ordering Information – Standard Units

Catalog Number	Finish	Output Voltage	Lamp Wattage	Rated Output Watts		
				1½ hrs.	2 hrs.	4 hrs.
N3WH	White	6V	2 x 5W	11	-	-
N3BL	Black	6V	2 x 5W	11	-	-
N3WHSD (Self-Diagnostic)	White	6V	2 x 5W	11	-	-
N3BLSD (Self-Diagnostic)	Black	6V	2 x 5W	11	-	-

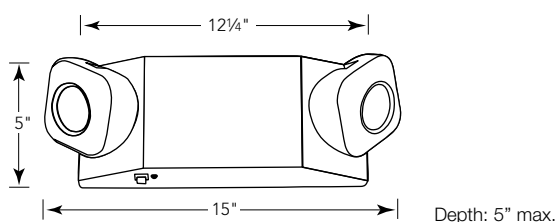
Ordering Information - High Output Units

Catalog Number	Finish	Output Voltage	Lamp Wattage	Rated Output Watts		
				1½ hrs.	2 hrs.	4 hrs.
N3WHHO	White	6V	2 x 5W	15	10	-
N3BLHO	Black	6V	2 x 5W	15	10	-

Remote Head example: In addition to the two 5W factory attached heads, the N3WHHO can operate one additional 5W remote head (15W total) for 1½ hours.

Note: For compatible accessories, see page 53. For remote heads, see p. 32.

Dimensions



High Performance Round Adjustable Head Emergency Lights – N4 Series

High performance optics, full adjustability, and a variety of lamp options to meet the most stringent illumination requirements.



Features

- Two round adjustable heads
- High performance reflector/lens assembly
- Redesigned snap-in assembly
- Choice of battery capacity and lamp wattage
- White or Black finish
- Available with remote load capacity

Recommended Fixture Spacing

3 Feet Wide Path of Egress		
Lamp	Spacing	Ave Illumination
6V 5.4W Incandescent	18.5 ft.	1.03 FC
6V 7.2W Incandescent	22 ft.	1.04 FC
6V 9W Incandescent	26 ft.	1.03 FC

Fixture spacing calculation:

Room reflectances 80/50/20 ceiling, walls, and floor respectively.

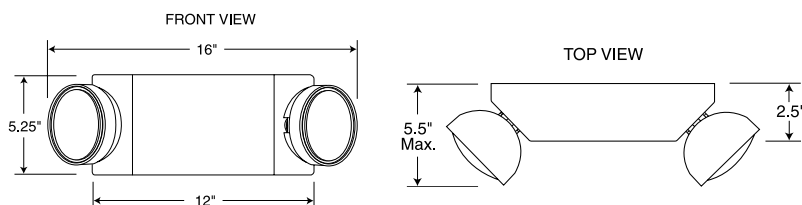
Fixtures mounted 7' from the floor for 5.4W and 7.2W lamps, and 7.5' from floor for 9W lamps.

Values represent an approximation and are based on an open environment
Juno Lighting Group takes no responsibility for local requirements or specific project variables. Information is provided only as an approximation of coverage/spacing.

Ordering Information

	Catalog Number	Finish	Output Voltage & Lamp Wattage	Remote Capability
Standard Units	N4WH N4BL	White Black	Two 6V 5W T5 Wedge Base Incandescent Lamps	
High Performance Units	N4WHH07 N4BLH07 N4WHH09 N4BLH09 N4WHH010 N4BLH010	White Black White Black White Black	Two 6V 7.2W T5 Wedge Base Incandescent Lamps Two 6V 9W T5 Wedge Base Incandescent Lamps Two 6V 10W T5 Wedge Base Incandescent Lamps	
Remote Capable Units	N4WHHO N4BLHO	White Black	Two 6V 5.4W T5 Wedge Base Incandescent Lamps	Up to 10.8W

Dimensions



Note: For compatible accessories, see page 53. For remote heads, see p. 32-33.



Architectural LED Emergency Wall Sconce – N5L LED Series

Ideal for hotels, shopping malls, office buildings or anywhere indoor/outdoor design continuity is desired. The N5L includes a long life, high brightness LED engine.



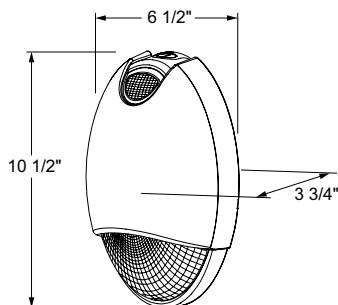
Features

- Supplied with LED light source
- Die-cast aluminum housing with polyester powder coat finish, choose white or bronze
- Snap-fit housing and mounting plate are held together by four stainless steel clips
- Silicone rubber seal with hollow center, shape adaptive design protects the electrical components from the weather
- Dual voltage 120/277 VAC 60Hz input, field selectable
- Maintenance-free, rechargeable 4.8V NiCad battery
- Cold weather battery with heater option is available (SDCB option)
- Self diagnostic indicator automatically tests and reports potential maintenance issues

Ordering Information

Catalog Number	Description	Finish	Input Voltage	Output Voltage
N5LWHS	LED Architectural Emergency Light with Self-Diagnostics	White	120/277 VAC	4.8V
N5LBZSD	LED Architectural Emergency Light with Self-Diagnostics	Bronze	120/277 VAC	4.8V
N5LWHSDCB	LED Architectural Emergency Light with Self-Diagnostics and Cold Weather Battery	White	120/277 VAC	4.8V
N5LBZSDCB	LED Architectural Emergency Light with Self-Diagnostics and Cold Weather Battery	Bronze	120/277 VAC	4.8V

Dimensions



Architectural Emergency Wall Sconce – N5 Series

Ideal for hotels, shopping malls, office buildings or anywhere indoor/outdoor design continuity is desired.



Features

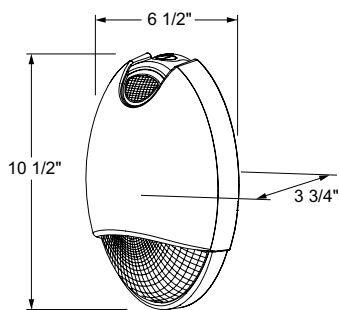
- Die-cast aluminum housing with polyester powder coat finish, choose white or bronze
- Snap-fit housing and mounting plate are held together by four stainless steel clips
- Silicone rubber seal with hollow center, shape adaptive design protects the electrical components from the weather
- Dual voltage 120/277 VAC 60Hz input, field selectable
- Supplied with 6V, 6W high lumen output Xenon lamps with G4 base
- Maintenance-free, rechargeable 6V NiCad battery
- Cold weather battery with heater option is available (SDCB units only)
- Self diagnostic indicator automatically tests and reports potential maintenance issues

Ordering Information

Catalog Number	Finish	Output Voltage	Lamp Wattage	Rated Output Watts 1-1/2 hours
Standard Units				
N5WH	White	6V	2 x 6W Xenon	12
N5BZ	Bronze	6V	2 x 6W Xenon	12
Units with Self Diagnostics and Cold Weather Batteries				
N5WHSDCB	White	6V	2 x 6W Xenon	12
N5BZSDCB	Bronze	6V	2 x 6W Xenon	12



Dimensions



Fully-Recessed Emergency Lights – NRG Series

Fully recessed unit for new construction blends smoothly with the surrounding.

Features

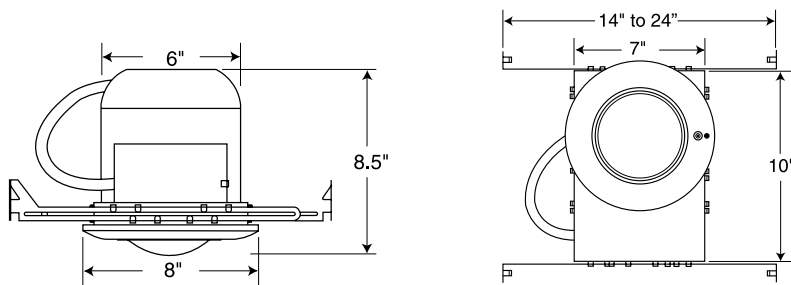
- Fully adjustable thermoplastic gimbal assembly
- PAR36 size lens and reflector assembly optimized for Emergency Lighting
- 6V 8W bi-pin Halogen lamp
- Integral test switch and AC ON LED
- Battery and electronics inside the housing
- 6" steel recessed housing with adjustable bar hangers



Ordering Information

Catalog Number	Finish	Lamp	Battery
NRGWH	White	One 6V 8W Bi-Pin Halogen	Lead Acid

Dimensions



Semi-Recessed Emergency Lights – N7 Series

Semi-Recessed Emergency Lighting Unit mounts flush with the ceiling for a concealed, unobtrusive look. Ideal for applications that require adjustability when wall mounting is undesired or not practical.

Features

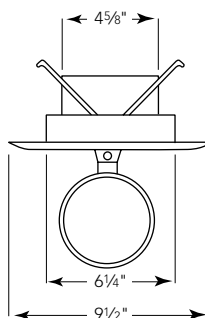
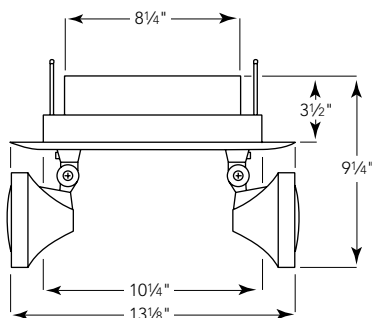
- Heavy duty, 20-gauge die-formed steel faceplate
- Corrosion resistant polyester powder coat paint in white finish
- Recessed housing equipped with adjustable bar hangers for installation flexibility
- Faceplate attaches to housing via heavy duty torsion springs for snug fit to ceiling
- Injection molded, high impact, UV-stabilized thermoplastic lighting heads
- Fully adjustable glare-free lighting heads
- Dual voltage 120/277 VAC operation
- Maintenance-free 6V sealed lead calcium battery
- Supplied with 6V, 5.4W incandescent wedge base lamps
- Suitable for wall or ceiling mounting



Ordering Information

Catalog Number	Finish	Output Voltage	Lamp Wattage	Rated Output Watts		
				1½ hrs.	2 hrs.	4 hrs.
N7WH	White	6V	2 x 5.4W	11	-	-

Dimensions



Wet Location Emergency Lights – N8 Series

Wet Location units feature construction which is ideal for wet locations, while also being resistant to corrosive atmospheres, non-hazardous dust environments, frequent hose-downs, water spray or splashing water.

Features

- Corrosion and impact resistant polycarbonate housing in industrial gray finish
- Sealed and gasketed housing with hinged cover
- Sealed test switch and power indicator light
- Integral breather vent
- External mounting brackets for simplified wall mounting
- Sealed and gasketed weatherproof lighting heads with tempered glass lenses
- Dual voltage 120/277 VAC operation
- Maintenance-free 6V sealed lead calcium battery
- Supplied with 6V, 7.2W incandescent wedge base lamps
- For wet location applications (0°C-40°C, 32°F - 104°F)

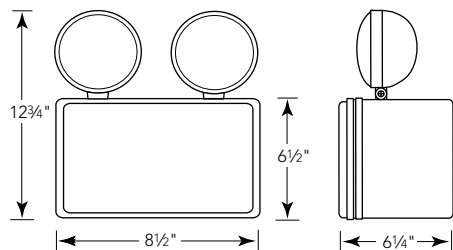


Ordering Information

Catalog Number	Finish	Output Voltage	Lamp Wattage	Rated Output Watts		
				1½ hrs.	2 hrs.	4 hrs. 8 hrs.
N8GY	Gray	6V	2 x 7.2W	18	-	

Note: For compatible accessories, see page 53.

Dimensions



High Wattage Emergency Lights – N6 (6-Volt) & N12 (12-Volt) Series

High Wattage Emergency Lights are designed with larger batteries to deliver the remote capacity or longer emergency operation required in common commercial and industrial applications. 6V units are ideal for shorter wire runs while 12V units enable longer runs with reduced voltage drop.

Features

- Injection molded, high impact, UV-stabilized thermoplastic construction
- Rugged, heavy duty design in neutral finish
- Multiple conduit knockouts on top and sides for installation flexibility
- Keyhole slots for simplified wall mounting
- Fully adjustable, gasketed, glare-free lighting heads with tempered glass lenses (incandescent wedge base lamps)
- Dual voltage 120/277 VAC operation
- Maintenance-free 6V sealed lead calcium battery connected in parallel (N6 Series) or series (N12 Series) configurations
- Supplied with 6V, 7.2W (N6 Series) or 12V, 9W (N12 Series) incandescent wedge base lamps



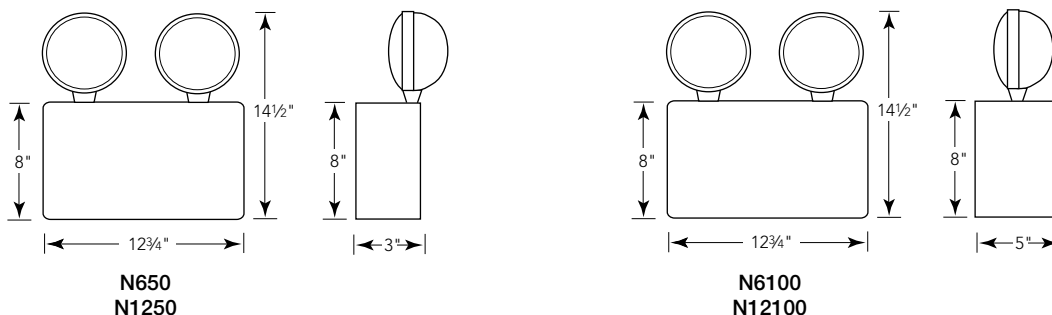
Ordering Information

Catalog Number	Finish	Output Voltage	Lamp Wattage	Rated Output Watts			
				1½ hrs.	2 hrs.	4 hrs.	8 hrs.
N650WH	White	6V	2 x 7.2W	50	37	18	-
N6100WH	White	6V	2 x 7.2W	100	75	37	18
N1250WH	White	12V	2 x 9W	50	37	18	-
N12100WH	White	12V	2 x 9W	100	75	37	18

Remote Head example: In addition to the two 9W factory attached heads, the N12100WH can operate nine additional 9W remote heads (99W total) for 1½ hours.

Note: For remote heads, see p. 32-33.

Dimensions



Remote Head LED Emergency Lights – NRL Series

NRLSQ Series - Square Remote Lamp Heads, 3.6V



Features

- Injection molded, high impact, UV-stabilized thermoplastic construction
- Fully adjustable, glare free - 1 or 2 heads
- White LED light source
- For use with N1L Series emergency units with HO option
- 3.6V operation

Ordering Information

Series	Style	Number of Heads	Finish	Options	Example Cat. #
NRL	SQ	2	WH		NRLSQ2WH
NRL Series For use with N1L Series Units	SQ-Square	1-One 2-Two	WH-White	No Suffix-Without options HL-High Lumen; delivers 50% more light SD-For use with units with self diagnostics	

NRLCSQ Series - Square Remote Lamp Heads, 9.6V



Features

- Injection molded, high impact, UV-stabilized thermoplastic construction
- Fully adjustable, glare free - 1 or 2 heads
- White LED light source
- For use with NXPCCL Series combo with HO option
- 9.6V operation

Ordering Information

Series	Style	Number of Heads	Finish	Options	Example Cat. #
NRLC	SQ	2	WH		NRLCSQ2WH
NRLC Series For use with NXPCCL Series Combos	SQ-Square	1-One 2-Two	WH-White	No Suffix-Without options HL-High Lumen; delivers 50% more light SD-For use with units with self diagnostics	

Remote Head LED Emergency Lights – NRL Series

NRLWP Series - Weatherproof, 3.6V



Features

- Fully adjustable, glare free - 1 or 2 heads
- Tempered glass lens
- Gasketed for wet location applications
- For use with N1L Series emergency units with HO option
- 3.6V operation

Ordering Information

Series	Style	Number of Heads	Finish	Options	Example Cat. #
NRL	WP	2	GY		NRLWP2GY
NRL Series For use with N1L Series Units	WP-Weatherproof	1-One 2-Two	GY-Gray	No Suffix-Without options HL-High Lumen; delivers 50% more light SD-For use with units with self diagnostics	

NRLCWP Series - Weatherproof, 9.6V



Features

- Fully adjustable, glare free - 1 or 2 heads
- Tempered glass lens
- Gasketed for wet location applications
- For use with NXPC Series combos with HO option
- 9.6V operation

Ordering Information

Series	Style	Number of Heads	Finish	Options	Example Cat. #
NRLC	WP	2	GY		NRLCWP2GY
NRLC Series For use with NXPC Series combos	WP-Weatherproof	1-One 2-Two	GY-Gray	No Suffix-Without options HL-High Lumen; delivers 50% more light SD-For use with combos with self diagnostics	

Remote Head Incandescent Emergency Lights – NR Series

A variety of remote head styles are available to suit practically any application.

NRSQ Series - Square Remote Lamp Heads



Features

- Injection molded, high impact, UV-stabilized thermoplastic construction
- Fully adjustable, glare free - 1 or 2 heads
- Incandescent light source
- For use with any 6V or 12V battery unit
- Match remote head voltage to battery unit voltage

Ordering Information

Series	Style	Number of Heads	Finish	Lamp Type	Example Cat. #
NR	SQ	1	WH	9W	NRSQ1WH6V5
NR	SQ-Square	1-One 2-Two	WH-White BL-Black	6V5-6V, 5.4W 6V7-6V, 7.2W 6V9-6V, 9W 12V7-12V, 7.2W 12V9-12V, 9W 12V12-12V, 12W	

NRMR Series - MR16 Remote Lamp Heads



Features

- Injection molded, high impact, UV-stabilized thermoplastic construction
- Fully adjustable, 1 or 2 heads
- Incandescent MR16 heads
- For use with any 6V battery unit
- 6V operation

Ordering Information

Series	Style	Number of Heads	Finish	Lamp Type	Example Cat. #
NR	MR	1	WH	6V5	NRMR1WH6V5
NR	MR-Designer MR16	1-One 2-Two	WH-White BL-Black	6V5-6V, 5W	

Remote Head Incandescent Emergency Lights – NR Series

NRRD Series - Round Remote Lamp Heads



Features

- Injection molded, high impact, UV-stabilized thermoplastic construction
- Fully adjustable - 1 or 2 round heads
- Incandescent wedge base lamps
- For use with any 6V or 12V battery unit
- Match remote head voltage to battery unit voltage

Ordering Information

Series	Style	Number of Heads	Finish	Lamp Type	Example Cat. #
NR	RD	1	WH	6V5	NRRD1WH6V5
NR	RD-Round	1-One 2-Two	WH-White BL-Black	6V5-6V, 5.4W 6V7-6V, 7.2W 6V9-6V, 9W 12V7-12V, 7.2W 12V9-12V, 9W 12V12-12V, 12W	

NRWP Series - Weatherproof Remote Lamp Heads



Features

- Injection molded, high impact, UV-stabilized thermoplastic construction
- Fully adjustable - 1 or 2 heads
- Incandescent wedge base lamp
- For use with any 6V battery unit
- 6V operation
- Wet Location applications

Ordering Information

Series	Style	Number of Heads	Finish	Lamp Type	Example Cat. #
NR	WP	1	GY	6V5	NRWP1GY6V5
NR	WP-Weatherproof	1-One 2-Two	GY-Gray	6V5-6V, 5.4W 6V7-6V, 7.2W	

Fluorescent Emergency Lighting Ballasts – NEB Series

The Navilite Fluorescent Emergency Ballast allows the same fixture to be used for both normal and emergency operation.

In the event of a power failure, the emergency ballast switches to the emergency mode and operates one or two of the existing lamps for a minimum of 90 minutes.

Each emergency ballast contains a battery, charger and inverter circuit in a single package. The emergency ballast can be mounted in the fixture wireway or on top of the fixture, and is UL Listed for factory installation or retrofit applications.

Features

- Heavy duty steel case
- Dual voltage 120/277 VAC operation
- Includes push button test switch and AC power indicator
- Maintenance-free, high temperature sealed nickel cadmium battery
- Wide operating temperature range (0°C-55°C)
- Ballast can be mounted in fixture wireway or on top of fixture or remote mounted (consult specification sheet for remote mounting details)
- Listed for factory or field (retrofit) installation
- May be installed in switched or unswitched fixtures
- Requires unswitched AC power source for proper operation
- When operating two lamps in emergency mode, rated lumen output is divided evenly between the lamps
- See Lamp Compatibility Chart for supported lamp types



NEB650C

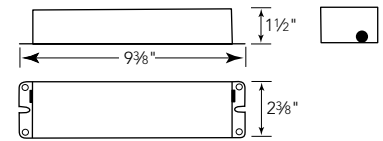
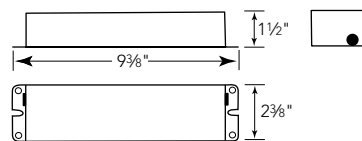
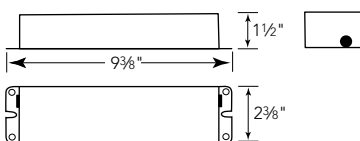


NEB500



NEB700

Dimensions



Fluorescent Emergency Lighting Ballasts – NEB Series

NEB Series Specifications – Lamp Compatibility Chart

Model	NEB650C	NEB500	NEB700	NEB1400	NEB3000
Lumens	650	500	700	1400	3000
Linear Lamps					
Number of Lamps Supported					
2'-4' Rapid, Instant, or Energy Savings, T8-T12		1	1	1	1
2'-8' Rapid, Instant, or Energy Savings, T8-T12, HO, VHO			2	2	2
2'-8' Rapid, Instant, or Energy Savings, T8-T12, HO, VHO			1	1	1
20W - 40W Circline		1	1	1	1
20W - 40W Circline			2	2	2
Compact Lamps					
Number of Lamps Supported					
13, 18, 26 (4-Pin)	1	1	1	1	1
13W-42W Twin, Quad or Triple (4-pin)	1	1	1	1	1
40W Biax			1	1	1
40W Biax					2
50W Biax			1	1	1
55W Biax			1	1	1

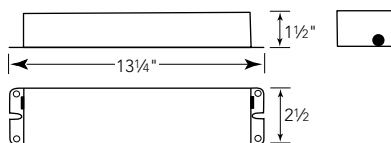


NEB1400



NEB3000

Dimensions







Chicago Code

Exit and Emergency Lighting

NaviLite Exit and Emergency Lighting products are renowned for reliability, fast service, easy installation, and great value. In addition to the standard product line, NaviLite-brand also offers a complete product family that conforms to the Chicago Code for exit and emergency lighting. These products feature heavy-gauge, steel construction with rugged, scratch resistant finishes, making them ideal for a wide variety of retail, commercial, and industrial applications.

NaviLite Chicago Code LED Exit Signs with steel housings feature a universal knock-out template that greatly reduces installation time. Sign lettering is 6" high with a 3/4" stroke width. For a more aesthetic appearance, edge-lit signs constructed of high-quality acrylic are available. Edge-lit signs are compact and unobtrusive, blending easily with their surroundings. NaviLite Chicago Code signs feature red letters on a white background, with full-face illumination.

All NaviLite exit signs utilize ultra-efficient LEDs that consume just a fraction of the energy of conventional light sources. And LEDs have such a long service life that their operation is virtually maintenance-free. LEDs produce white light of superior quality and provide many years of reliable service.

NaviLite Chicago Code Emergency Lights offer unparalleled performance and reliability. They feature all-metal construction and integrated solid-state electronics that maximize battery performance through a multi-rate, controlled automatic charger. The electronics are sensitive to charge levels and increase battery life by preventing deep discharges.

NaviLite Chicago Code Exit and Emergency Lighting products comply with the latest codes and performance standards including: UL924, NFPA101 Life Safety Code, NEC, OSHA, EPACT 2005, and the Chicago Building Code.

Chicago Code Recessed LED Edge-Lit Exit Signs – NCREXL & NCRESL Series

Navilite NCREXL and NCRESL Series Recessed Edge-Lit Signs provide durability, reliability, and unsurpassed quality while offering energy savings and reduced maintenance with a long life LED light source.

Features

- Energy saving LED light source
- Rugged, heavy duty recessed housing
- Clear acrylic face plate
- 6" letters with 3/4" stroke width
- Full size arrow directional indicators
- Red letters on white translucent background reading "EXIT" (NCREXL) or "STAIRS" (NCRESL)
- Corrosion resistant powder-coat white finish
- Maintenance-free NiCad battery (battery backup version only)
- Chicago plenum construction



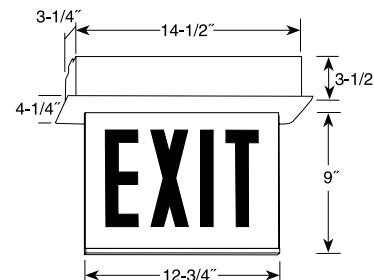
Code Compliance

- UL Listed
- NFPA 101 Life Safety Code compliant
- NEC and OSHA compliant
- Chicago Code
- CCEA (Chicago Plenum)

Ordering Information

Series	Voltage	Number of Faces	Finish	Arrow Configuration	Example Cat. #
NCREXL	U	1	WH	NA	NCREXLU1WHNA
NCREXL Chicago Recessed Mount EXIT -AC only	U 120-277VAC	1 Single Face	WH White	NA No Arrow	
NCRESL Chicago Recessed Mount STAIRS -AC only		2 Double Face		AR → Right Arrow	
				AL ← Arrow Left	
				DA ↔ Double Arrow	
NCREXLB Chicago Recessed Mount Edge-Lit EXIT -Battery Backup					
NCRESLB Chicago Recessed Mount Edge-Lit STAIRS -Battery Backup					

Dimensions





Chicago Code Surface Mount LED Edge-Lit Exit Signs – NCEXL and NCESL Series

Navilite NCEXL and NCESL Series Signs provide durability, reliability, and unsurpassed quality while offering energy savings and reduced maintenance with a long life LED light source.

Features

- Long life and energy saving LED light source
- Rugged, aluminum housing construction
- Includes canopy and hardware for easy top or end mount installation
- Clear acrylic face plate
- 6" letters with 3/4" stroke width
- Full size arrow directional indicators
- Red letters on white translucent background reading "EXIT" (NCEXL) or "STAIRS" (NCESL)
- Corrosion resistant powder-coat white finish
- Maintenance-free sealed NiCad battery (battery backup version only)



Code Compliance

- UL Listed
- NFPA 101 Life Safety Code compliant
- NEC and OSHA compliant
- Chicago Code

Ordering Information

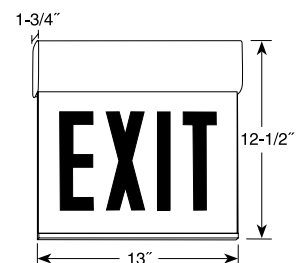
Series	Voltage	Number of Faces	Finish	Arrow Configuration	Example Cat. #
NCEXL	U	1	WH	NA	NCEXLU1WHNA
NCEXL Chicago Surface Mount Edge-Lit EXIT -AC only	U 120-277VAC	1 Single Face	WH White	NA No Arrow	
NCESL Chicago Surface Mount Edge-Lit STAIRS -AC only		2 Double Face		AR → Right Arrow	
NCEXLB Chicago Surface Mount Edge-Lit EXIT -Battery Backup				AL ← Arrow Left	
NCESLB Chicago Surface Mount Edge-Lit STAIRS -Battery Backup				DA ↔ Double Arrow	

Accessories

Catalog Number	Description
T91-12-WH	Pendant Kit 12" for Rigid Ceiling
T90-12-WH	Pendant Kit 12" for T-bar

Accessories are ordered separately. To order, specify catalog number.

Dimensions



Chicago Code Steel LED Exit Signs – NCXL and NCSL Series

NaviLite NCXL and NCSL Series Steel LED Signs provide durability, reliability, and unsurpassed quality while offering installation flexibility with features such as simple screw on canopy and knockouts for top, side or back mounting.

Features

- Long life and energy saving LED light source
- Rugged, heavy duty steel construction
- Includes canopy and hardware for easy top or end mount installation
- Universal mounting pattern knockouts in back plate for back mounting
- Open-face glass panel
- Silk screen 6" letters with 3/4" stroke width
- Full size arrow directional indicators
- Red letters on white translucent background reading "EXIT" (NCXL) or "STAIRS" (NCSL)
- Corrosion resistant powder-coat white finish
- Maintenance-free NiCad battery (battery backup version only)



Code Compliance

- UL Listed
- NFPA 101 Life Safety Code compliant
- NEC and OSHA compliant
- Chicago Code

Ordering Information

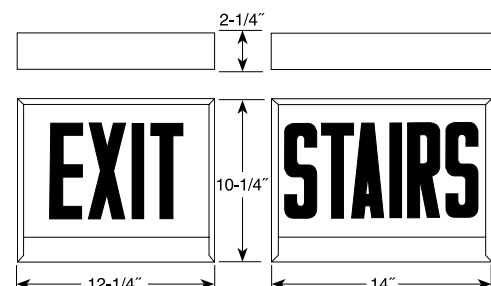
Series	Voltage	Number of Faces	Finish	Arrow Configuration	Example Cat. #
NCXL	U	1	WH	NA	NCXLU1WHNA
NCXL Steel EXIT Sign -AC only	U 120-277VAC	1 Single Face	WH White	NA No Arrow	
NCSL Steel STAIRS Sign -AC only		2 Double Face		AR → Right Arrow	
NCXLB Steel EXIT Sign -Battery Backup				AL ← Arrow Left	
NCSLB Steel STAIRS Sign -Battery Backup				DA ↔ Double Arrow	

Accessories

Catalog Number	Description
T91-12-WH	Pendant Kit 12" for Rigid Ceiling
T90-12-WH	Pendant Kit 12" for T-bar

Accessories are ordered separately. To order, specify catalog number.

Dimensions





Chicago Code T-Bar Recessed Emergency Lights – NCR Series

Navilite NCR Series T-Bar Recessed Emergency Lights mount flush with the ceiling for a concealed, unobtrusive look. The NCR Series is an ideal choice for commercial applications that require adjustability when wall mounting is undesired or not practical.

Features

- Rugged, heavy duty steel construction
- Designed for recessed mounting in 2-foot grid (T-Bar) drop ceilings
- Corrosion resistant powder-coat finish
- Chicago plenum construction
- Dual voltage transformer 120/277VAC
- Multi-rate, controlled, automatic charger keeps battery at peak operating levels
- Low-voltage battery cut-off protects battery from deep discharge
- AC power indicator and test switch
- Supplied with two 6V, 12W halogen lamps
- Maintenance-free sealed lead acid battery



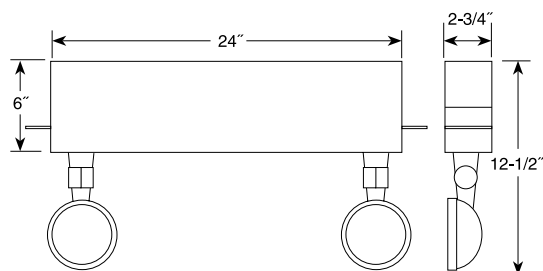
Code Compliance

- UL Listed
- NFPA 101 Life Safety Code compliant
- NEC and OSHA compliant
- Chicago Code
- CCEA (Chicago Plenum)

Ordering Information

Catalog Number	Finish	Output Voltage	Lamp Wattage	Rated Output Watts		
				1½ hrs.	2 hrs.	3 hrs.
NCR627WH	White	6V	2 x 12W	50	-	-
NCR650WH	White	6V	2 x 12W	50	36	24
NCR1250WH	White	12V	2 x 12W	50	36	24

Dimensions



Chicago Code Steel Emergency Light – NC627 Series

NaviLite NC627 Steel Adjustable Emergency Light offers contemporary aesthetics, quick installation and premium features like steel lamp heads and halogen lamps.

Features

- Rugged, heavy duty steel construction
- Universal mounting pattern knockouts in back plate for back mounting
- Corrosion resistant powder-coat finish
- Dual voltage transformer 120/277VAC
- Multi-rate, controlled, automatic charger keeps battery at peak operating levels
- Low-voltage battery cut-off protects battery from deep discharge
- AC power indicator and test switch
- Supplied with two 6V 12W halogen lamps
- Maintenance-free sealed lead acid battery
- Standard battery will operate a maximum load of 27W for a minimum of 90 minutes



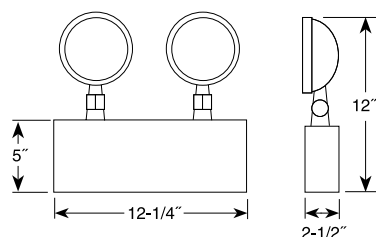
Code Compliance

- UL Listed
- NFPA 101 Life Safety Code compliant
- NEC and OSHA compliant
- Chicago Code

Ordering Information

Catalog Number	Finish	Output Voltage	Lamp Wattage	Rated Output Watts 1½ hrs.
NC627WH	White	6V	2 x 12W	27

Dimensions





Chicago Code High Wattage Steel Emergency Lights – NC6 and NC12 Series

Navilite NC6 and NC12 Series High Wattage Steel Emergency Lights are high end units designed with larger batteries to deliver remote capacity or longer emergency operation. They are ideal choices for commercial and industrial applications.

Features

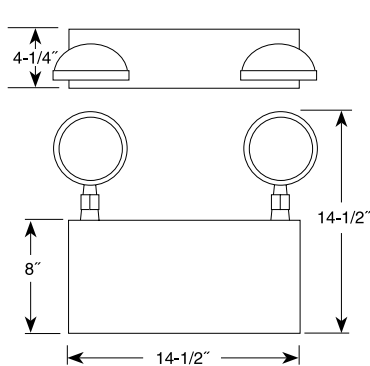
- Rugged, heavy duty steel construction
- Corrosion resistant white powder-coat finish
- Steel lamp heads
- Dual voltage transformer 120/277VAC
- Multi-rate, controlled, automatic charger keeps battery at peak operating levels
- Low-voltage battery cut-off protects battery from deep discharge
- AC power indicator and test switch
- Supplied with two 12V (NC12) or 6V (NC6), 12W halogen lamps
- Maintenance-free sealed lead acid battery
- 6 Volt or 12 Volt operation



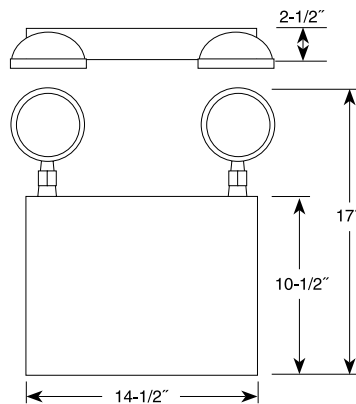
Ordering Information

Catalog Number	Finish	Output Voltage	Lamp Wattage	Rated Output Watts				
				1½ hrs.	2 hrs.	3 hrs.	4 hrs.	6 hrs.
NC650WH	White	6V	2 x 12W	50	36	24	-	-
NC6100WH	White	6V	2 x 12W	100	75	48	36	24
NC1250WH	White	12V	2 x 12W	50	36	24	-	-
NC12100WH	White	12V	2 x 12W	100	75	48	36	24

Dimensions



NC6100WH and NC12100WH

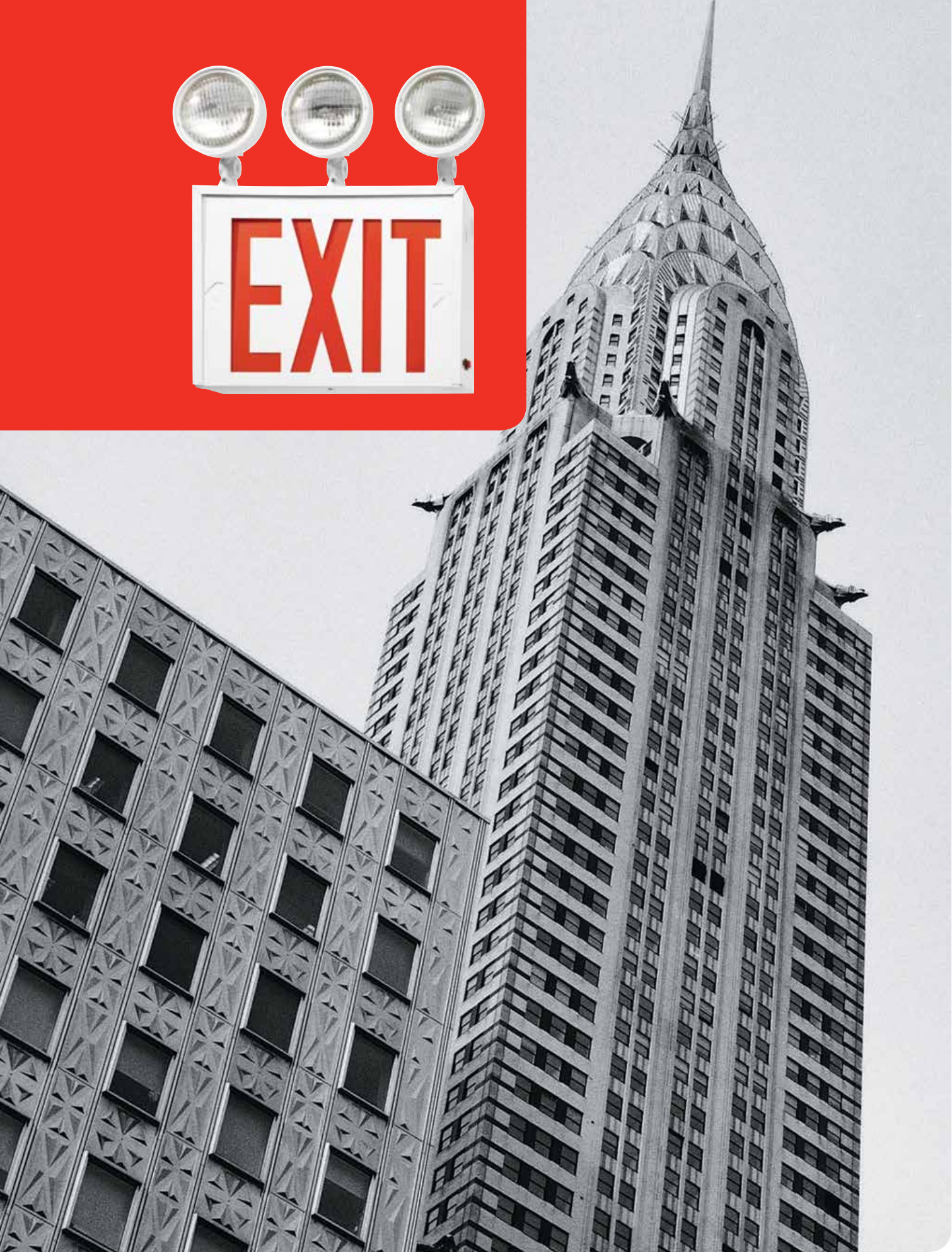


NC650WH and NC1250WH

Code Compliance

- UL Listed
- NFPA 101 Life Safety Code compliant
- NEC and OSHA compliant
- Chicago Code







New York Approved Exit and Emergency Lighting

Known for its reliability, ease of installation, and ready availability, Navilite-brand exit and emergency lighting has always represented outstanding value. The same can be said of the Navilite New York Approved product line, designed specifically to meet the demanding requirements of the New York City building code.

Navilite New York Approved LED Exit Signs feature rugged, all-metal construction of either heavy-gauge steel or die-cast aluminum. For a more aesthetic look, edge-lit acrylic is also available. All materials are color stable, impact resistant, flame retardant, and scratch resistant. These signs offer architectural-grade styling and feature custom diffusing systems that produce bright, uniform illumination. New York Approved lettering is 8" high with a 1" stroke width; chevron direction indicators are field-configurable.

All Navilite exit signs incorporate advanced LED technology for optimal performance and energy efficiency. And with LEDs re-lamping costs are not a factor ... LED life spans are so long that they operate virtually maintenance-free. LEDs produce white light of superior quality and provide year-after-year of reliable service.

Navilite New York Approved Emergency Lights are self-contained and fully automatic. They feature all-metal construction for exceptional durability and are designed for ease of installation. A combo unit that integrates exit sign and emergency lighting functions is also available.

Navilite New York Approved products provide reliable, economical operation in a wide variety of retail, commercial, and industrial applications. And they comply with the latest codes and performance standards including: UL924, NFPA101 Life Safety Code, NEC, OSHA, EPACT 2005.

Surface Mount LED Edge-Lit Exit Signs – NNYXES Series

The New York Approved NNYXES Series is the most uncomplicated edge-lit sign to specify. Surface mount construction makes it easy to enjoy the aesthetic benefits of edge-lit design with simple J-box mounting.

Features

- Crystal clear acrylic face panel
- Mirrored divider provided on double face signs to simulate clear aesthetic
- Extruded aluminum housing
- Includes die cast aluminum canopy for top, back or end mounting
- Pre-drilled canopy attachment locations with easily removed hole covers
- 8" letters with 1" stroke width
- Full-size, chevron directional indicators
- Field-applied chevron directional indicators with pre-applied installation template
- Dual voltage 120/277VAC
- Maintenance-free sealed NiCad battery (battery backup version)



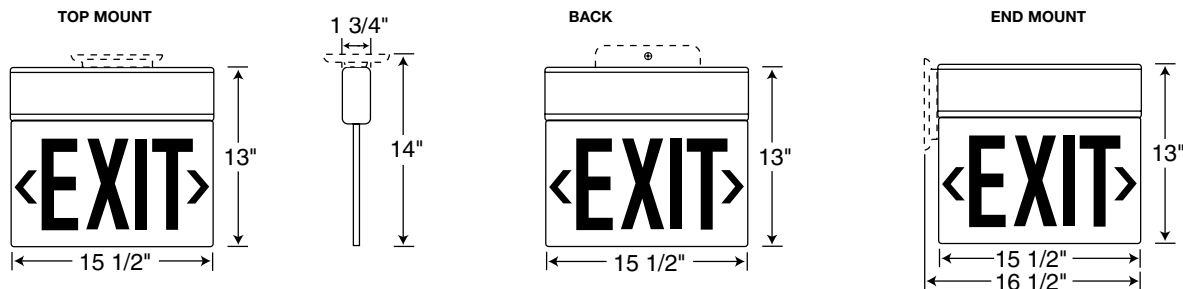
PBCode Compliance

- UL 924
- NFPA 101 Life Safety Code compliant
- NEC and OSHA compliant
- New York City Approved
- Calendar No. 46932 and 47212

Ordering Information

Series	Operation	Number of Faces	Letter Color	Finish	Example Cat. #
NNYXES	B	1	R	AA	NNYXESB1RAA
NNYXES Series	Blank-AC only B-Battery Backup	1-Single Face 2-Double Face	R-Red	AA-Anodized Aluminum WH-White BL-Black	

Dimensions





Recessed Mount LED Edge-Lit Exit Signs – NNYXER Series

Ideal for architectural applications with top ceiling access, the New York Approved Recessed Mount Edge-Lit LED Exit Signs offer specification grade aesthetics with in-field installation flexibility.

Features

- Crystal clear acrylic face panel
- Mirrored divider provided on double face signs to simulate clear aesthetic
- Aesthetically pleasing aluminum ceiling trim plate
- 8" letters with 1" stroke width
- Full size, field-applied chevron directional indicators with pre-applied installation template
- Engraved letters increase visibility
- Dual voltage 120/277 VAC operation
- Maintenance-free NICAD (battery backup versions only)



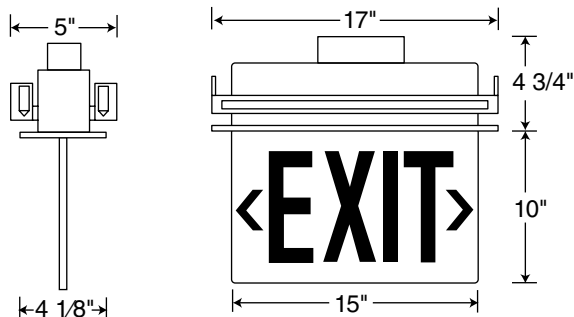
Code Compliance

- UL Listed
- NFPA 101 Life Safety Code compliant
- NEC and OSHA compliant
- New York City Approved
- Calendar No. 47212

Ordering Information

Series	Operation	Number of Faces	Letter Color	Finish	Example Cat. #
NNYXER	B	1	R	AA	NNYXERB1RAA
NNYXER Series	Blank - AC only B - Battery Backup	1-Single Face 2-Double Face	R-Red	AA-Anodized Aluminum WH-White BL-Black	

Dimensions



Die-Cast Aluminum LED Exit Signs – NNYXD Series

Standard Self-Test and Self-Diagnostics

The New York Approved NNYXD Series is ideal for applications that require the durability of metal construction in an economical package. All NNYXD Series signs include a second faceplate for universal single/double face applications and canopy for universal top, end, or back mounting.

Features

- Architectural-grade, die cast aluminum housing and faceplate
- Includes die cast aluminum canopy for top or end mounting
- Universal mounting pattern knockouts for J-box mounting
- Pre-drilled canopy attachment locations with easily removed hole covers
- Integral wiring channels
- Gently arched faceplate snaps into housing without tools
- Second faceplate included to field-convert from single to double face
- 8" letters with 1" stroke width
- Full-size, 3/4" wide chevron directional indicators are field selectable
- Standard Self-Test and Self-Diagnostics (battery backup version only)
- Dual voltage 120/277VAC
- Maintenance-free sealed, nickel cadmium battery (battery backup version)



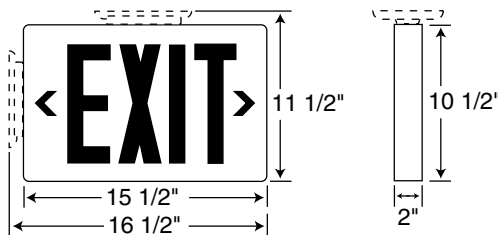
Code Compliance

- UL 924
- NFPA 101 Life Safety Code compliant
- NEC and OSHA compliant
- New York City Approved
- Calendar No. 46932

Ordering Information

Series	Operation	Number of Faces	Letter Color	Finish	Options	Example Cat. #
NNYXD	B	3	R	BAB	SD	NNYXDB3RBABSD
NNYXD Series	Blank-AC only B-Battery Backup	3-Universal Single/ Double Face	R-Red	BAB-Brushed Aluminum Face/ Black Housing WH-White on White BL-Black on Black	Blank-AC only SD-Self-Diagnostics (Battery Backup version only)	

Dimensions





Steel LED Exit Signs – NNYXS Series

The New York Approved NNYXS Series is ideal for applications that require the durability of metal construction in an economical package. All NNYXS Series signs include a second faceplate for universal single/double face applications and canopy for universal top, end, or back mounting.

Features

- Rugged, heavy duty 20-gauge die-formed steel construction
- Universal mounting pattern knockouts in backplate for back mounting
- Second faceplate included for double face applications
- 8" letters with 1" stroke width
- Chevron directional indicator knockouts
- Corrosion-resistant polyester powder coat paint
- Dual voltage 120/277VAC
- Maintenance-free nickel cadmium battery (battery backup version)



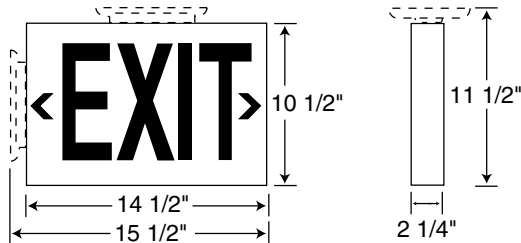
Code Compliance

- UL 924
- NFPA 101 Life Safety Code compliant
- NEC and OSHA compliant
- New York City Approved
- Calendar No. 46932

Ordering Information

Series	Operation	Number of Faces	Letter Color	Finish	Example Cat. #
NNYXS	B	3	R	WH	NNYXSB3RWH
NNYXS Series	Blank-AC only B-Battery Backup	3-Universal Single/ Double Face	R-Red	WH-White	

Dimensions



Steel LED Combo Exit/Emergency Lights – NNYXSC Series

The New York Approved NNYXSC Series offers unsurpassed value in an aesthetically pleasing design. All NNYXSC Series signs include three emergency lighting heads.

Features

- Includes three lighting heads, combining exit signage with the emergency lighting function for a convenient, comprehensive solution
- Rugged, heavy duty 20-gauge die formed steel construction
- Lighting heads made from high impact thermoplastic
- Universal mounting pattern knockouts in backplate for back mounting
- 8" letters with 1" stroke width
- Chevron directional indicator knockouts
- Includes three 6V, 12W lighting heads
- Heads are fully adjustable for comprehensive lighting coverage
- Maintenance-free 6V sealed lead acid battery
- Dual voltage 120/277 VAC



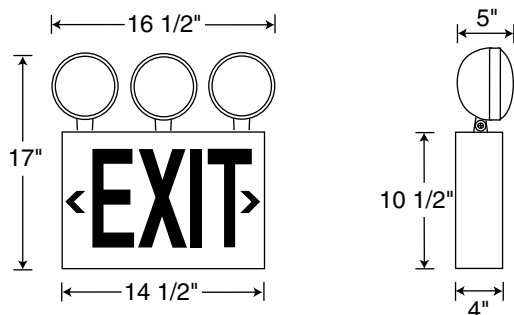
Code Compliance

- UL 924
- NFPA 101 Life Safety Code compliant
- NEC and OSHA compliant
- New York City Approved
- Calendar No. 46932

Ordering Information

Series	Number of Faces	Letter Color	Finish	Number of Heads	Example Cat. #
NNYXSC	1	R	WH	3	NNYXSC1RWH3
NNYXSC Series	1-Single	R-Red	WH-White	3-3 Heads	

Dimensions





6-Volt Emergency Operation Lights – NNY6 Series

NaviLite NNY6 Series New York Emergency Lights are designed for efficiency and ease of installation. Their rugged design meets New York City standards and provides dependable operation. These units are completely self contained and fully automatic.

Features

- Rugged, heavy duty design
- Durable 20 gauge steel housing
- High Impact Thermoplastic lighting heads
- Dual voltage 120/277VAC
- Solid state charging and switching
- Brownout protection
- Battery Low Voltage disconnect
- AC power indicator and test switch
- Maintenance-free 6V sealed lead calcium battery
- Supplied with 6V, 9W incandescent wedge base lamps



Code Compliance

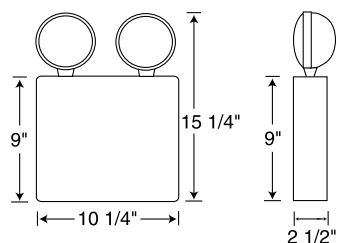
- UL 924
- NFPA 101 Life Safety Code compliant
- NEC and OSHA compliant
- New York City Approved
- Calendar No. 46932

Ordering Information

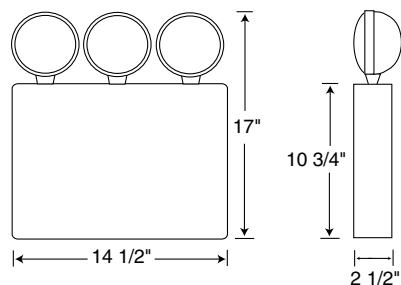
Catalog Number	Finish	Output Voltage	Lamp Wattage	Rated Output Watts	
				1 1/2 hrs.	2 hrs.
NNY618WH2	White	6V	2 x 9W	18W	-
NNY627WH3	White	6V	3 x 9W	27W	18W

Dimensions

NNY618



NNY627





Accessories

Exit & Emergency Lighting

NaviLite offers a variety of accessories to protect your exit & emergency lighting investment. We also offer LED Retrofit Kits for exit signs making it easy to enjoy the money saving benefits and uniform illumination of LED light sources without having to replace existing fixtures.



Polycarbonate Vandal Shields - NVS Series

Clear polycarbonate Vandal Shields provide an extra level of protection from flying objects and vandalism without obscuring the visibility of exit signs or diminishing the performance of emergency lights. Includes mounting hardware. Ideal for use in schools, gymnasiums and athletic centers and any area where protection from flying objects are necessary.



NVS1



NVS2

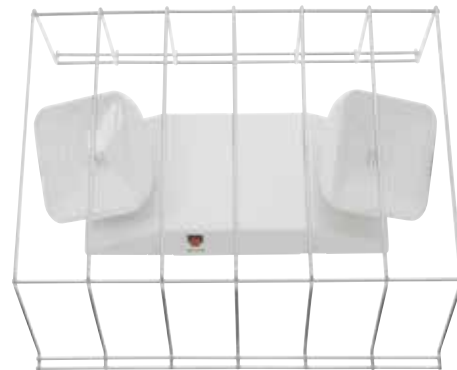
Ordering Information

Catalog Number	For Use With Series	Dimensions H x W x D
NVS1	NXD, NXP ¹ , NXS, NXT	9 ³ / ₁₆ " x 13" x 2 ¹ / ₈ "
NVS2	NXD, NXES, NXP ¹ , NXS	15 ¹ / ₂ " x 22 ¹ / ₈ " x 7 ¹ / ₈ "
NVS3	N1, N1L, N2, N3, N4, N8 ²	7" x 18" x 7 ¹ / ₂ "
NVS4	NXPC, NXPCCL	13 ³ / ₄ " x 30 ¹ / ₄ " x 6 ¹ / ₂ "

¹NVS1 is suitable for non-HO versions – NVS2 is required for HO versions
²NVS2 must be oriented vertically to accommodate N8 dimensions

Wire Guards - NWG Series

Chrome plated, 0.150" diameter steel Wire Guards protect exit signs and emergency lights from flying objects. Wires are spaced 2.5" apart making it easy to access fixtures to perform periodic testing. Includes mounting hardware. Ideal for use in gymnasiums and athletic centers and any area where protection from large flying objects is necessary.



NWG1



NWG2

Ordering Information

Catalog Number	For Use With Series	Dimensions H x W x D
NWG1	NXD, NXES, NXP ³ , NXS, NXT, N1, N2, N3, N4, N1L	13 ¹ / ₂ " x 15" x 6"
NWG2	NXPC, NXPCCL	13 ¹ / ₂ " x 30" x 6"

³NWG1 is not suitable for NXPC combo versions – NWG2 is required for NXPC combo versions

LED Retrofit Kits for Exit Signs - NXR Series

LED Retrofit Kits are perfect for installations where the existing exit sign is still serviceable but consumes far too much energy due to its high wattage lamps. Screw-in retrofit kits are as simple to install as changing a lamp – anyone can do it! – thus minimizing labor costs. Hard-wire retrofit kits are especially useful in 277V applications or where the local authority requires a more permanent conversion.

Screw-In Kit Features

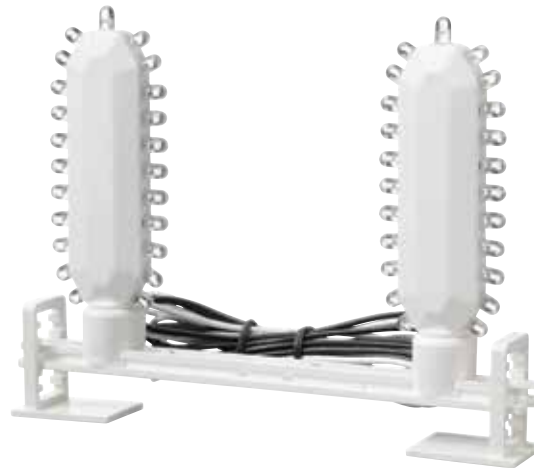
- Use for 120V applications only
- Red versions only
- Consumes only 2.8W total per kit
- Designed to fit directly into candelabra base sockets
- Includes socket adapters to fit intermediate base or bayonet base sockets
- LED module height is 5½" (add ¼" when using adapters)



Screw-In Kit

Hard-Wire Kit Features

- Use for 120V or 277V applications
- Red versions only
- Consumes only 2.8W total per kit
- LED modules can be repositioned to optimize sign uniformity
- Kits come complete with mounting hardware
- LED module height is 5½"



Hard-Wire Kit

Ordering Information

Series	Installation	LED Color	Example Cat. #
NXR	S	R	NXRSR
NXR Series	S-Screw-In H-Hard-Wire	R-Red	

Voltage Drop / Wire Selection Guide

Determining Wire Size

The following information is provided to assist in designing proper emergency lighting systems effectively and economically by using the smallest permissible wire size for load circuits. When remote lighting fixtures are connected to emergency lighting units, circuit runs must be of sufficient size to maintain a proper operating voltage to all lamps. The National Electrical Code limits voltage to drop to a maximum of 5% of nominal. The accompanying table gives the maximum length of wire run based on systems voltage, wire gauge and total wattage on the run. To determine the maximum length of a wire run not listed, divide the value of the load in watts into the constant listed at the bottom of each row. For example, the maximum wire run length for #10 wire on a 12 volt system, with a 63 watt load is $3397 \div 63$, or 53 feet.

Conversely, to determine the maximum load on a run of known length, divide the run length into the constant. For example, a 100 foot run of #10 wire on a 12 volt system can be loaded to, $3397 \div 100$, or 33 watts; on #8 wire, $5403 \div 100$, or 54 watts.

Longer Wire Runs

The wiring distances give the maximum length of a low voltage circuit, assuming that the entire load is concentrated at the end of the circuit. If loads are uniformly spaced along the circuit path (equal watts, equal spacing distances), the lengths in the table may be increased, based on number of fixtures on a given circuit, by means of the chart and formula below. For example, a 60 foot long, 12 volt circuit has five 9 watt heads spaced 12 feet apart. According to the wire run table, #10 wire must be used (at 75 feet for a 5% voltage drop). However, by multiplying the 47 feet for #12 wire by 1.67 (5 fixtures equally spaced multiplier), a 78 foot wire run is acceptable, so #12 wire may be used and still meet the 5% voltage drop limitation.

Number of Fixtures	2	3	4	5	6	n
Multiply Feet By	1.33	1.5	1.6	1.67	1.7	$2n/(n+1)$

Wiring Distance in Feet (for maximum voltage drop of 5%)

Total Watts on Wire Run	6 Volt System Wire Size				12 Volt System Wire Size				
	#12	#10	#8	#6	#12	#10	#8	#6	#4
6	89	141	225	357	356	566	900	1431	2276
8	66	106	168	268	267	424	675	1073	1707
9	59	94	150	238	237	377	600	954	1517
10	53	84	135	214	213	339	540	859	1366
12	44	70	112	178	178	283	450	715	1138
16	33	53	84	134	133	212	337	536	853
18	29	47	75	119	118	188	300	477	758
24	22	35	56	89	89	141	225	357	569
25	21	33	54	85	85	135	216	343	546
27	19	31	50	79	79	125	200	318	505
30	17	28	45	71	71	113	180	286	455
36	14	23	37	59	59	94	150	238	379
42	12	20	32	51	50	80	128	204	325
45	11	18	30	47	47	75	120	190	303
48	11	17	28	44	44	70	112	178	284
50	10	16	27	42	42	67	108	171	273
75	7	11	18	28	28	45	72	114	182
100	5	8	13	21	21	33	54	85	136
Constant	534	849	1350	2148	2137	3397	5403	8590	13660

Note: The smallest permissible wire size for systems under 50 volts is #12 wire for emergency lighting equipment under Article 720-4 of the National Electrical Code.

Replacement Parts

Catalog #	Description
Replacement Lamps	
RP-NL6V5WB	Replacement lamp, 6V 5W, wedge base. For N4 series.
RP-NL6V54WB	Replacement lamp, 6V 5.4W, wedge base. For N1, N2, N7WH, and remote heads NRSQ, NRRD, NRWP series.
RP-NL6V54WB-KYPT	Replacement lamp, 6V 5.4W, wedge base. For N1, N2, N7WH, and remote heads NRSQ, NRRD, NRWP series.
RP-NL6V72WB	Replacement lamp, 6V 7.2W, wedge base. For N6, N8, and remote heads NRSQ, NRRD, NRWP series.
RP-NL6V9WB	Replacement lamp, 6V 9W, wedge base. For NNY618, NNY627, and remote heads NRSQ, NRRD series.
RP-NL6V10WB	Replacement lamp, 6V 10W, wedge base. For N4 HO series with 10W lamps.
RP-NL6V12WB	Replacement lamp, 6V 12W, wedge base. For NNYXSC combo, and remote heads NRSQ and NRRD series.
RP-NL12V72WB	Replacement lamp, 12V 7.2 W, wedge base. For remote heads NRSQ and NRRD series.
RP-NL12V9WB	Replacement lamp, 12V 9W, wedge base. For N12 series, and remote heads NRSQ and NRRD series.
RP-NL12V12WB	Replacement lamp, 12V 12W, wedge base. For NNY1250 series, and remote heads NRSQ and NRRD series.
RP-NL6V5MR	Replacement lamp, 6V 5W, MR16. For N3 series and remote heads NRMR series.
Replacement Batteries	
RP-NL6V45ALC	Replacement Seal Lead Acid battery, 6V 4.5Ah. For N1, N2, N3, N4, N7 series emergency lights and NXPC (non HO).
RP-NL6V7ALC	Replacement Sealed Lead Acid battery, 6V 7Ah. For N1 (HO version), N3 (HO version), N4 (HO version), NNY618, and NNY1250 emergency units.
RP-NL6V10ALC	Replacement Sealed Lead Acid Battery, 6V 10Ah. For N6, N12, N8, NNY627 series emergency lights.
RP-NL6V12ALC	Replacement Sealed Lead Acid battery, 6V 12Ah. For NNYXSC combo.
RP-NL6V23ALC	Replacement Sealed Lead Acid battery, 6V 2.3Ah. For NXESB series.
RP-NL48V04ANC	Replacement NiCad battery, 4.8V 400mAh. For NXPB series and NXPB with Self Diagnostics.
RP-NL48V05ANC	Replacement NiCad battery, 4.8V 500mAh. For NXESB and NXERB series with NiCad battery.
RP-NL4807ANC	Replacement NiCad battery, 4.8V 700mAh. For NXPB (non HO), NNYXDB, NXWBGGY (green) series exit signs.
RP-NL6V45ANC	Replacement NiCad battery, 6V 4.5Ah. For NXWC series (wet location combos).

Life Safety Code

Excerpts from the NFPA 101*

SECTION 7.9 EMERGENCY LIGHTING

7.9.1 General.

7.9.1.1* Emergency lighting facilities for means of egress shall be provided in accordance with this section 7.9 for the following:

- (1) Buildings or structures where required in Chapters 11 through 42.
 - (2) Underground and windowless structures as addressed in section 11.7.
 - (3) High-rise buildings as required by other sections of this code.
 - (4) Doors equipped with delayed egress locks.
 - (5) The stair shaft and vestibule of smoke proof enclosures which shall be permitted to include a standby generator that is installed for the smoke proof enclosure mechanical ventilation equipment and used for the stair shaft and vestibule emergency lighting power supply.
- For the purposes of this requirement, exit access shall include only designated stairs, aisles, corridors, ramps, escalators, and passageways leading to an exit. For the purposes of this requirement, exit discharge shall include only designated stairs, ramps, aisles, walkways, and escalators leading to a public way.

7.9.1.2 Where maintenance of illumination depends on changing from one energy source to another, a delay of not more than 10 seconds shall be permitted.

7.9.2 Performance of System.

7.9.2.1* Emergency illumination shall be provided for not less than 1-1/2 hours in the event of failure of normal lighting. Emergency lighting facilities shall be arranged to provide initial illumination that is not less than an average of 1 footcandle (10 lx) and, at any point, not less than 0.1 footcandle (1 lx) measured along the path of egress at floor level. Illumination levels shall be permitted to decline to not less than an average of 0.6 footcandle (6 lx) and, at any point, not less than 0.06 footcandle (0.6 lx) at the end of the 1-1/2 hours. A maximum-to-minimum illumination uniformity ratio of 40 to 1 shall not be exceeded.

7.9.2.2* The emergency lighting system shall be arranged to provide the required illumination automatically in the event of any of the following:

- (1) Interruption of normal lighting such as any failure of public utility or other outside electrical power supply.
- (2) Opening of a circuit breaker or fuse.
- (3) Manual act(s), including accidental opening of a switch controlling normal lighting facilities.

7.9.2.4* Battery-operated emergency lights shall use only reliable types of rechargeable batteries provided with suitable facilities for maintaining them in properly charged condition. Batteries used in such lights or units shall be approved for their intended use and shall comply with NFPA 70, National Electrical Code®.

7.9.2.5 The emergency lighting system shall be either continuously in operation or shall be capable of repeated automatic operation without manual intervention.

7.9.3 Periodic Testing of Emergency Lighting Equipment. A functional test shall be conducted on every required emergency lighting system at 30-day intervals for not less than 30 sec. An annual test shall be conducted for a 1-1/2 hour duration. Equipment shall be fully operational for the duration of the test. Written records of visual inspections and tests shall be kept by the owner for inspection by the authority having jurisdiction. Exception: Self-testing/self-diagnostic, battery-operated emergency lighting equipment that automatically performs a test of not less than 30 sec. and diagnostic routine not less than once every 30-days and indicates failure by status indicator shall be exempt from the 30-day functional test, provided that a visual inspection is performed at 30-day intervals.

SECTION 7.10 MARKING OF MEANS OF EGRESS

7.10.1.2* Exits. Exits, other than main exterior exit doors that obviously and clearly are identifiable as exits, shall be marked by an approved sign readily visible from any direction of exit access.

7.10.1.4* Exit Access. Access to exits shall be marked by approved, readily visible signs in all cases where the exit or way to reach it is not readily apparent to the occupants. Sign placement shall be such that no point in the exit access corridor is in excess of 100 ft (30 m) from the nearest externally illuminated sign and is not in excess of the marked rating for internally illuminated signs. Exception: Signs in exit access corridors in existing buildings shall not be required to meet the placement distance requirements.

7.10.1.5* Floor Proximity Exit Signs. Where floor proximity exit signs are required by Chapters 11 through 42, signs shall be placed near the floor level in addition to those signs required for doors or corridors. These signs shall be illuminated in accordance with 7.10.5. Externally illuminated signs

shall be sized and in accordance with 7.10.6.1. The bottom of the sign shall be not less than 6 in. (15.2 cm) but not more than 8 in. (20.3 cm) above the floor. For exit doors, the sign shall be mounted on the door or adjacent to the door with the closest edge of the sign within 4 in. (10.2 cm) of the door frame.

7.10.1.6* Floor Proximity Egress Path Marking. Where floor proximity egress path marking is required in Chapters 11 through 42, a listed and approved floor proximity egress path marking system that is internally illuminated shall be installed within 8 in. (20.3 cm) of the floor. The system shall provide a visible delineation of the path of travel along the designated exit access and shall be essentially continuous, except as interrupted by doorways, hallways, corridors, or other such architectural features. The system shall operate continuously or at any time the building fire alarm system is activated. The activation, duration, and continuity of operation of the system shall be in accordance with 7.9.2.

7.10.1.7* Visibility. Every sign required by Section 7.10 shall be located and of such size, distinctive color, and design that it is readily visible and shall provide contrast with decorations, interior finish, or other signs. No decorations, furnishings, or equipment that impairs visibility of an exit sign shall be permitted. No brightly illuminated sign (for other than exit purposes), display, or object in or near the line of vision of the required exit sign that could detract attention from the exit sign shall be permitted.

7.10.2* Directional Signs. A sign complying with 7.10.3 with a directional indicator showing the direction of travel shall be placed in every location where the direction of travel to reach the nearest exit is not apparent.

7.10.3* Sign Legend. Sign required by 7.10.1 and 7.10.2 shall have the word EXIT or other appropriate wording in plainly legible letters.

7.10.4* Power Source. Where emergency lighting facilities are required by the applicable provisions of Chapters 11 through 42 for individual occupancies, the signs, other than approved self-luminous signs, shall be illuminated by the emergency lighting facilities. The level of illumination of the exit sign shall be in accordance with 7.10.6.3 or 7.10.7 for the required emergency lighting duration as specified in 7.9.2.1. However, the level of illumination shall be permitted to decline to 60 percent at the end of the emergency lighting duration.

7.10.5 Illumination of Signs.

7.10.5.1* General. Every sign required by 7.10.1.2 or 7.10.1.4, other than where operations or processes require low lighting levels, shall be suitably illuminated by a reliable light source. Externally and internally illuminated signs shall be legible in both the normal and emergency lighting mode.

7.10.5.2* Continuous Illumination. Every sign required to be illuminated by 7.10.6.3 and 7.10.7 shall be continuously illuminated as required under the provisions of section 7.8. Exception: Illumination for signs shall be permitted to flash on and off upon activation of the fire alarm systems.

7.10.7 Internally Illuminated Signs.

7.10.7.1 Listing. Internally illuminated signs, other than approved existing signs, or existing signs, or existing signs having the required wording in legible letters not less than 4 in. (10.2 cm) high, shall be listed in accordance with UL 924, Standard for Safety Emergency Lighting and Power Equipment. Exception: This requirement shall not apply to signs that are in accordance with 7.10.1.3 and 7.10.1.5.

7.10.7.2 Photo luminescent Signs. The face of a photo luminescent sign shall be continually illuminated while the building is occupied. The illumination levels on the face of the photo luminescent sign shall be in accordance with its listing. The charging illumination shall be a reliable light source as determined by the authority having jurisdiction. The charging light source shall be of a type specified in the product markings.

7.10.9 Testing and Maintenance.

7.10.9.1 Inspection. Exit signs shall be visually inspected for operation of the illumination sources at intervals not to exceed 30 days.

7.10.9.2 Testing. Exit signs connected to or provided with a battery-operated emergency illumination source, where required in 7.10.4, shall be tested and maintained in accordance with 7.9.3.

Life Safety Code® 2000

Life Safety Code® and NFPA 101® are registered trademarks of the National Fire Protection Association, Inc.

NaviLite® Exit and Emergency Lighting

Index

Catalog #	Page #	Catalog #	Page #
NXESA	6	NCSLB	40
NXECRA.....	7	NCR627WH	41
NXD	8	NCR650WH	41
NXS	9	NCR1250WH	41
NXP.....	10	NC627WH.....	42
NXPCL	12	NC650WH.....	43
NXPC	14	NC6100WH.....	43
NXW.....	15	NC1250WH.....	43
N1L.....	18	NC12100WH.....	43
N1	19	NNYXES.....	46
N2.....	20	NNYXER.....	47
N3.....	21	NNYXD.....	48
N4.....	22	NNYXS	49
N5L.....	24	NNYXSC	50
N5.....	25	NNY618WH2	51
NRG.....	26	NNY627WH3	51
N7.....	27	NVS1.....	53
N8.....	28	NVS2.....	53
N650.....	29	NVS3.....	53
N6100.....	29	NVS4.....	53
N1250.....	29	NWG1	53
N12100.....	29	NWG2	53
NRLSQ.....	30	NXRSR.....	54
NRLC	30	NXRHR.....	54
NRLWP	31	RP-NL12V12WB	56
NRLCWP.....	31	RP-NL12V72WB	56
NRSQ.....	32	RP-NL12V9WB	56
NRMR	32	RP-NL4807ANC.....	56
NRRD.....	33	RP-NL48V04ANC.....	56
NRWP	33	RP-NL48V05ANC.....	56
NEB650C.....	34	RP-NL6V10ALC	56
NEB500	34	RP-NL6V10WB	56
NEB700	34	RP-NL6V12ALC	56
NEB1400	35	RP-NL6V12WB	56
NEB3000	35	RP-NL6V23ALC	56
NCREXLB.....	38	RP-NL6V45ALC	56
NCRESLB	38	RP-NL6V45ANC.....	56
NCREXL.....	38	RP-NL6V54WB	56
NCRESL.....	38	RP-NL6V54WB-KYPT	56
NCEXL	39	RP-NL6V5MR.....	56
NCESL	39	RP-NL6V5WB	56
NCEXLB.....	39	RP-NL6V72WB	56
NCESLB.....	39	RP-NL6V7ALC	56
NCXL	40	RP-NL6V9WB	56
NCSL	40	T91-12-WH	38, 39
NCXLB	40	T90-12-WH	38, 39



Juno Lighting Group
 1300 South Wolf Road
 Des Plaines, IL 60018
 Ph: 847.827.9880
www.junolightinggroup.com

Regional Offices & Warehouses

California
 Illinois
 Indiana
 Pennsylvania
 Texas
 Ontario, CN

©2016 Acuity Brands Lighting, Inc. The marks appearing in this catalog are trademarks of Acuity Brands Lighting, Inc. Products shown in this brochure may be covered by U.S. and international patents and patents pending. Specifications subject to change without notice.