



ALEXA
ARCHITECTURAL AREA LIGHTING
COLUMBIA
CORNERSTONE
ECLIPSE
DUAL-LITE
HUBBELL OUTDOOR LIGHTING
HUBBELL INDUSTRIAL LIGHTING



ELM
MID-CENTURY
PRESIDENT
PROGRESS
SECURITY
SPRINGING
SPORTS/LEISURE SOLUTIONS
STYLISH
WITNESS





BRAND PROFILE

Prescolite is a major manufacturer of downlights, surface and track lighting solutions that challenge paradigms in energy efficiency and highly aesthetic design for architectural, commercial, light commercial and retrofit installations.

For over 70 years, the company has maintained its status as industry leader by taking advantage of rapidly changing technology to bring new product innovations to the marketplace. In turn, Prescolite has received awards and recognition by industry peers for its groundbreaking product design and offering. Recent honors include:

- Prescolite's A2LED was named "Product of the Year" by EC&M Magazine in 2013.
- Recently IESNA announced the 2012 recipients of the Progress Report label, a coveted symbol of art and science in the lighting industry. Prescolite's D2LED wall wash and A2LED were among the recognized products.
- Prescolite Megalum won the 2013 Architectural SSL PIA award for downlights

PRODUCT OFFERING

Patented technologies and designs that offer energy efficient and energy saving options for commercial and high-end residential markets are included in Prescolite's impressive product offering.

Known for introducing the first fluorescent downlight in the U.S. – as well as the first HID downlight – the lighting brand has continued to evolve its product offering in the downlight category. Most recently, Prescolite added three high performance LED downlights and cylinders to its extensive product line. The manufacturer also introduced the first 12,000 lumen recessed LED downlight, which features multiple configurations and unique thermal management for high ceiling applications.

High efficiency, as well as exceptional light output, efficacy and color consistency are standards in all Prescolite downlights. The brand continues to evaluate the needs of lighting specifiers, engineers, end users and architects – to develop product lines that exceed expectations.







LED INTRODUCTION	34-37
CEILING HEIGHT CROSSOVER	38-39

ARCHITECTURAL

INTRODUCTION	40
D2LED 2" LED Downlight	41
A2LED 2" LED Adjustable	42
LF4LEDG4 4" LiteFrame LED Open Downlights	43
LF4LEDG4 4" LiteFrame LED Wall Wash Downlights	44
LF6LEDG4 6" LiteFrame LED Open Downlights	45
LF6LEDG4 6" LiteFrame LED Wall Wash Downlights	46
LF6LED8G4 6" LiteFrame LED Open Downlights	47
LF6LED8G4 6" LiteFrame LED Wall Wash Downlights	48
LF8LEDG4 8" LiteFrame LED Open Downlights	49
LF8LED8G4 8" LiteFrame LED Open Downlights	50
LF4SQLEDG4/LF6SQLEDG4 4" & 6" LiteFrame Square LED Open & Lensed Downlights	51
LF4SQLEDG4/LF6SQLEDG4 4" & 6" LiteFrame Square LED Wall Wash & Lensed Downlights	52
LF6SQLED8G4 6" LiteFrame Square 3000 Lumen LED Downlights	53
MD8LED 8" High Lumen LED Downlight	54
INTEGRAL EMER/DIMMING	55
DECORATIVE TRIMS	56-57

COMMERCIAL

INTRODUCTION	58
LC6LED 6" LiteFrame Commercial LED Downlights	59

LIGHT COMMERCIAL

INTRODUCTION	60
LB4LEDA 4" LED Trims	61
LB6LEDA 6" LED Trims	62
LBSLEDA10L 6" Surface LED Downlight	63
DBXQL 6" LED QuickLink	64
FT6QLIC/LB6LEDA 6" FireTight LED QuickLink	65
BX4QL/IBX4QL/RMN4QL 120 4" LED QuickLink	66

RETROFIT

INTRODUCTION	67
RLF6LEDG4 6" LED Open Downlights	68
RLF6LED8G4 6" LED Open Downlights	69
RLF8LEDG4 8" LED Open Downlights	70
RLF8LED8G4 8" LED Open Downlights	71
RLC6LED 6" LED Retrofit Downlights	72

CYLINDERS, STEPLIGHTS, & TRACK

INTRODUCTION	73
MC10LED 10" High Lumen LED Downlight	74
LED CYLINDERS 4" & 6" LED Cylinders	75
PENDALUM LED Pendant LED Series	76
LBC6 6" LED Cylinder	77
SLLED LED Steplights	78
93 LED Recessed High-Output Steplight LED	79
AKT6LED LED Track Head	80
AKTSLED LED Track Head	81
SYSTEM COMPONENTS Track Accessories for Architrak®	82



prescolite CEILING HEIGHT CROSSOVER

INTRODUCTION

LED

CEILING HEIGHT	LEGACY	Architektür	LiteFrame LED	LiteFrame Commercial	LiteBox
40' & Above	 250W MH	 MD8 12L			
30-40'	 150W MH 500W T4	 MD8 9L			
20-30'	 100W MH 250W T4	 MD8 6L			
10-20'	 32W/42W CFL Twin 26W 6CFL	 MD8 3L	LF6LED8 LF6LED7 LF6LED6	LC6LED7 LC6LED6	
10-20'	 26W CFL	 D2LED	 LF6LED5	 LC6LED5	 LB6LEDA10L
8-10'	 18W CFL 75W INC				 LB6LEDA8L LB4LEDA

PRODUCT IMAGE	CATALOG #	APERTURE	DELIVERED LUMENS	SYSTEM WATTS	EQUIVALENCY	LPW	CCT	VOLTAGE	DIMMING
	9L D2LED A2LED	2" round	850	18	50W MR16 26W CFL	47	2700K 3000K 3500K 4000K	120/277	0-10V Standard Optional: HDM 1%
	12L		1200	24	75W MR16 32W CFL	50			
	MD8LED3L	8" round	3000	42	30W CFL 50W MH	72	2700K 3000K 3500K 4000K 5000K	120/277	0-10 Standard Optional: HDM 1%; Leading Edge 1%. 0-10V 1%
	MD8LED6L		6000	84	(2) 70W CFL 500W T4 100W MH	72			
	MD8LED9L		9000	126	(2) 70W CFL 500W T4 150W MH	72			
	MD8LED12L		12000	168	250W MH	72			
	LF6LED-6LFLED5G4	4"/6"/8" round & 4"/6" square	1175	14	26W CFL	82	3000K 3500K 4000K	120/277	0-10 Standard Optional: HDM 1%; Leading Edge 1%
	LF6LED-6LFLED6G4		1400	19	32W CFL	75			
	LF6LED-6LFLED7G4		1978	26	42W CFL (2) 26W CFL	75			
	LF6LED8-6LFLED8G4		2834	39	50W MH 70W CFL	73			
	LC6LED-6LCLED5	6" round	925	17	26W CFL	55	2700K 3000K 3500K 4000K	120V or 277V	0-10V optional
	LC6LED-6LCLED6		1375	24	32W CFL	57			
	LC6LED-6LCLED7		1598	30	42W CFL (2) 26W CFL	53			
	LB4LEDA	4"/6" round	556	9	50W R20	62	3000K	120V	Triac/ELV
	LB6LEDA8L		825	13	65W BR30 18W CFL	63	3000K		
	LB6LEDA10L		1038	12	75W PAR30/P38 26W CFL	86	3000K 3500K		



ARCHITECTURAL Architectural interiors – convention centers, banquet halls, grand lobbies and theatres – require lighting solutions that contribute aesthetically to a clean design, while also delivering precise optical control, efficient thermal management and ease of maintenance benefits. Prescolite addresses the unique challenges these spaces have to offer with a comprehensive product line.



MD8LED is an 8" LED high-output downlight delivering more than 12,000 lumens suitable for the large commercial and architectural interiors.

UP TO 12,000 LUMENS. COLOR CONSISTENCY 3 SCDM



**UP TO 100 LUMENS
PER WATT**



**LIGHT ENGINE WITH INTEGRAL HEAT SINK PROVIDES
EXCELLENT THERMAL MANAGEMENT AND 70% AVERAGE
LUMEN MAINTENANCE AT 50,000 HOURS**

SEE PAGE 54 FOR PSG PAGE

D2LED

2" LED Downlight & Wall Wash 120V or 277V High Output Xicato XSM LED Module

FEATURES

- Light Engine with integral heat sink provides excellent thermal management and a minimum of 50,000 hours at 70% lumen maintenance
- Utilizes Xicato XSM Remote Phosphor LED module. Color consistency < 2 SCDM
- Non-IC rated. Suitable for wet locations
- Photometrics tested per IESNA-LM-79-2008 standards
- Output compared to a 26/32 watt CFL or 50 watt MR16 Halogen
- Completely accessible from below the ceiling
- Luminaires are certified by a National Recognized Testing Lab (NRTL), either UL or CSA.



ARCHITECTURAL

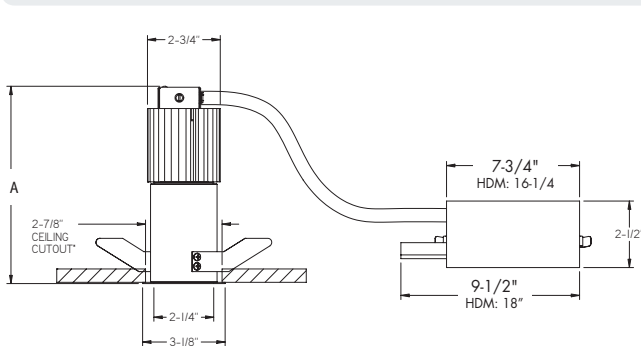
ORDERING INFORMATION

EXAMPLE: D2LED277V-2D9LEDHDM9L30K8MD25

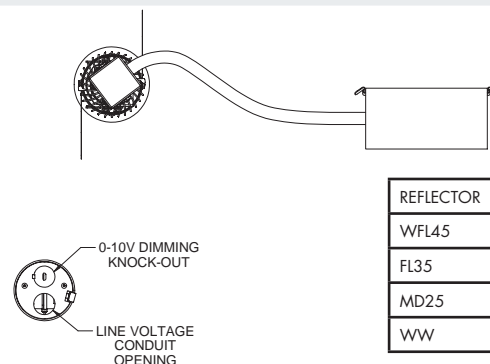
D2LED		2D9LED		30K	8	MD25				
J-TUBE ASSEMBLY D2LED 2" J-Tube Assembly with 0-10 Dimming standard		LIGHT ENGINE 2D9LED 2" Open Reflector/Light Engine Assembly		LED COLOR 27K 2700 Kelvin 30K 3000 Kelvin 35K 3500 Kelvin 40K 4000 Kelvin		BEAM ANGLE WFL45 Spun Aluminum reflector with a 45° wide flood distribution MD25 Spun Aluminum reflector with a 25° medium distribution FL35 Spun Aluminum reflector with a 35° flood distribution WW Wall Wash		REFLECTOR COLORS Blank Clear Alzak CG Champagne Gold Alzak WE Wheat Alzak LW Light Wheat Alzak PW Pewter Alzak BL Black Alzak WH ¹ White paint	REFLECTOR OPTIONS WT White trim	ACCESSORIES LiteGear See spec sheet for availability D2FRM ⁴ Optional Mounting Frame for D2LED fixture D2ICAT ^{4,5} Optional IC Rated, Air Tight housing for the D2LED
VOLTAGE Blank 120V 277 277V		OPTIONS Blank Standard 0-10V dimming HDM ⁵ Lutron Series A Driver. Hi-Lume 3 wire or EcoSystem dimming to 1%	OUTPUT 9L ² 900 Delivered Lumens 12L ^{2,5} 1200 Delivered Lumens		CRI 8 ² Nominal 80+ CRI 9 ^{2,5} Nominal 95+ CRI		REFLECTOR FINISH Blank Specular SS Semi-specular MFC American Matte™			

NOTES

- ¹ Requires WT option
- ² See spec sheet for specific lumens per module and raw lumens
- ³ See spec sheet or www.prescolite.com for LiteGear Compatibility Matrix
- ⁴ See spec sheet for line art
- ⁵ ICAT not available with 95 CRI, HDM, or 12L



*Note: The accuracy of the 2-7/8" ceiling cutout is critical to the proper fit of the A2LED. For installation hints see page (3) of spec sheet or download the instruction sheet from www.prescolite.com



REFLECTOR	A
WFL45	5-7/8"
FL35	6-3/4"
MD25	7-1/2"
WW	7"



A2LED

2" LED Adjustable

ARCHITECTURAL



A2LED

FEATURES

- Light Engine with integral heat sink provides excellent thermal management and a minimum of 50,000 hours at 70% lumen maintenance
- Utilizes Xicato XSM Remote Phosphor LED module. Color consistency < 2 SCDM
- Non-IC rated. Suitable for damp locations
- Photometrics tested per IESNA-LM-79-2008 standards
- Output comparable to a 50 watt MR16 Halogen
- Completely accessible from below the ceiling
- Luminaires are certified by a National Recognized Testing Lab (NRTL), either UL or CSA.

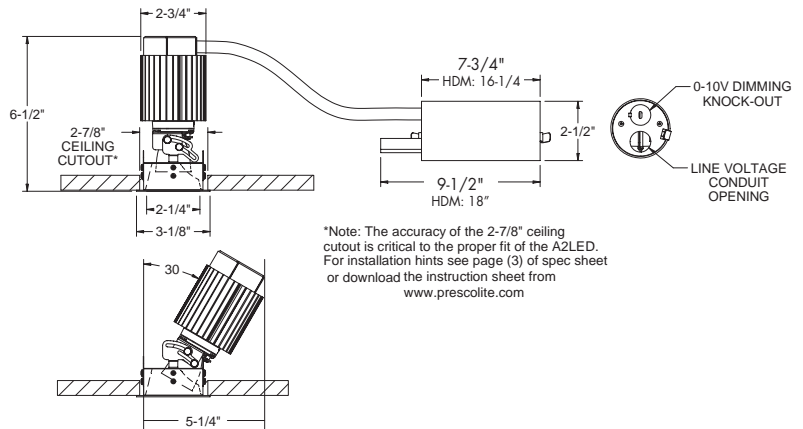
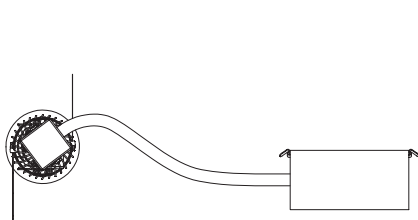
ORDERING INFORMATION

EXAMPLE: A2LED277VHDM-2A9LED9L30K8 FL35

A2LED		2A9LED		30K	8	FL35				
J-TUBE ASSEMBLY	LIGHT ENGINE	LED COLOR	BEAM ANGLE	LOWER REFLECTOR⁶ COLORS	LOWER REFLECTOR OPTIONS	ACCESSORIES	OPTIONS	OUTPUT	CRI	LOWER REFLECTOR⁶ FINISH
A2LED 2" J-Tube Assembly with 0-10 Dimming standard	2A9LED 2" Open Reflector/Light Engine Assembly	27K 2700 Kelvin 30K 3000 Kelvin 35K 3500 Kelvin 40K 4000 Kelvin	FL35 Spun Aluminum reflector with a 35° flood distribution	Blank Clear Alzak CG Champagne Gold Alzak WE Wheat Alzak LW Light Wheat Alzak PW Pewter Alzak BL Black Alzak BC⁴ Black Painted Cone WC⁴ White Painted Cone	Blank^{4,5} Anodized trim CT⁴ Clear trim WT⁴ White trim BT⁴ Black trim	LiteGear See spec sheet for availability D2FRM³ Optional Mounting Frame for A2LED/D2LED fixture	Blank Standard 0-10V dimming HDM Lutron Series A Driver, Hi-Lume 3 wire or EcoSystem dimming to 1%	9L¹ 900 Delivered Lumens 12L¹ 1200 Delivered Lumens	8¹ Nominal 80+ CRI 9¹ Nominal 95 CRI	Blank Specular SS Semi-specular MFC American Matte™
VOLTAGE										
Blank 120V 277 277V										

NOTES

- ¹ See spec sheet for specific lumen per module and raw lumens
- ² See spec sheet page 3 or www.prescolite.com for LiteGear Compatibility Matrix
- ³ See spec sheet for line art
- ⁴ Either CT, WT, or BT must be specified with a painted cone
- ⁵ With Alzak finishes, flange will match the trim finish. WT or BT may be specified as needed.
- ⁶ Upper reflector is always specular clear alzak



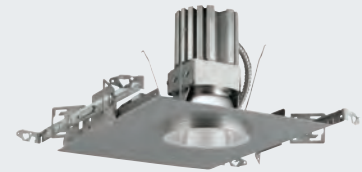
LF4LEDG4

4" LiteFrame LED Open Downlights

Remote phosphor LED system in 3000K, 3500K, 4000K

FEATURES

- Light Engine utilizes Philips Fortimo remote phosphor technology for controlled color consistency fixture to fixture
- Universal 120-277V high efficiency LED driver with 0-10V dimming standard
- 70 Lumens per watt delivered
- Glare free optical control
- Shipped with pre-installed Light Commercial bar hangers. (See below for optional Commercial grade bar hangers)
- ENERGY STAR qualified
- IP65 dust and water tight trim
- Minimum 50,000 hour at 70% lumen maintenance system life
- Photometrics tested per IESNA-LM-79-2008 standards
- Non-IC rated. Suitable for wet locations and through wiring (Damp location for EM)
- Luminaires are certified by a National Recognized Testing Lab (NRTL), either UL or CSA.



LF4LEDG4



ARCHITECTURAL

ORDERING INFORMATION

EXAMPLE: LF4LEDG4-4LFLED7G430KWHWT

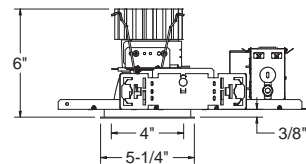
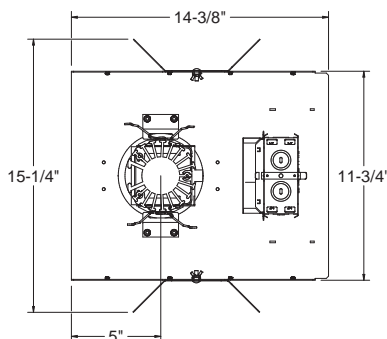
LF4LEDG4				-		4LFLED7G4		30K		WH		WT		-			
HOUSING		VOLTAGE		OPTIONS		TRIM		LED COLOR TEMP		REFLECTOR COLORS		REFLECTOR OPTIONS		ACCESSORIES			
LF4LEDG4	4" High Efficacy LED Housing with 0-10V Dimming to 10%	Blank	120-277V 347 347V	EMR ² Emergency Battery Pack with remote test switch and indicator light WIH wiHUBB [®] Enabled	4LFLED5G4 1100 lumen module 4LFLED6G4 1500 lumen module 4LFLED7G4 2000 lumen module	30K 3000 Kelvin, 80 CRI 35K 3500 Kelvin, 80 CRI 40K 4000 Kelvin, 80 CRI	Blank Clear CG Champagne Gold BL Black WE Wheat LW Light Wheat PW Pewter WH ¹ White Paint	WT White Trim TRG Trim Ring Gasket IP65 Dust and water tight	B24 Set of two(2) 24" bar hangers for T-bar ceilings B6 Set of two (2) bar hangers for ceiling joist up to 24" centers LiteGear See spec sheet for availability (not compatible with EMR)								
								REFLECTOR FINISH									
								Blank Semi-Diffuse									

Use with HDM/2DM dimming option:
Match Housing to Trim Output

HOUSING	VOLTAGE	OPTIONS
LF4LED5G4	120	HDM ³ Lutron 3-wire/ EcoSystem to 1%
LF4LED6G4	277	2DM ³ Lutron 2-wire Leading Edge to 1% (120V only)
LF4LED7G4		EMR ² Emergency Battery Pack with remote test switch and indicator light WIH wiHUBB [®] Enabled

NOTES

- ¹ Requires WT option also
 - ² 347V not available with EMR
 - ³ For HDM & 2DM options, housing output must match trim output
- * Please refer to specification sheet for EMR line art



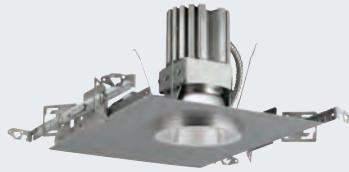
LF4LEDG4



LF4LEDG4

4" LiteFrame LED Wall Wash Downlights

Remote phosphor LED system in 3000K, 3500K, 4000K



LF4LEDG4

FEATURES

- Light Engine utilizes Philips Fortimo remote phosphor technology for controlled color consistency fixture to fixture
- Universal 120-277V high efficiency LED driver with 0-10V dimming standard
- 70 Lumens per watt delivered
- Glare free optical control
- Shipped with pre-installed Light Commercial bar hangers. (See below for optional Commercial grade bar hangers)
- Minimum 50,000 hour at 70% lumen maintenance system life
- Photometrics tested per IESNA-LM-79-2008 standards
- Non-IC rated. Suitable for wet locations and through wiring (Damp location for EM)
- Luminaires are certified by a National Recognized Testing Lab (NRTL), either UL or CSA.

ORDERING INFORMATION

EXAMPLE: LF4LEDG4-4LFLED7G430KWHWTWW

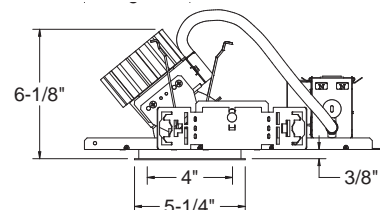
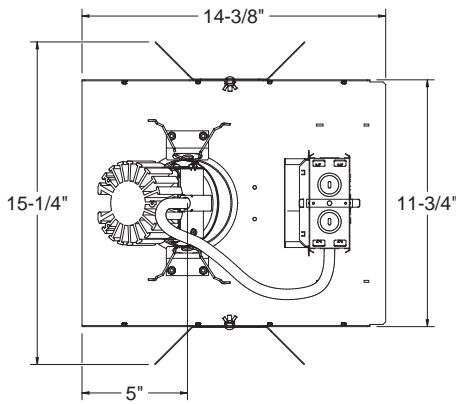
LF4LEDG4				- 4LFLED7G4		30K		WH		WTWW			
HOUSING	VOLTAGE	OPTIONS	TRIM	LED COLOR TEMP	REFLECTOR COLORS	REFLECTOR OPTIONS	ACCESSORIES						
LF4LEDG4 4" High Efficacy LED Housing with 0-10V Dimming to 10%	Blank 120-277V 347 347V	WIH wiHUBB® Enabled	4LFLED5G4 1100 lumen module 4LFLED6G4 1500 lumen module 4LFLED7G4 2000 lumen module	30K 3000 Kelvin, 80 CRI 35K 3500 Kelvin, 80 CRI 40K 4000 Kelvin, 80 CRI	Blank Clear CG Champagne Gold BL Black WE Wheat LW Light Wheat PW Pewter WH¹ White Paint	WT White Trim TRG Trim Ring Gasket WW² Wall Wash	B24 Set of two (2) 24" bar hangers for T-bar ceilings B6 Set of two (2) bar hangers for ceiling joist up to 24" centers LiteGear See spec sheet for availability (not compatible with EMR)						
REFLECTOR FINISH Blank Semi-Diffuse													

Use with HDM/2DM dimming option:
Match Housing to Trim Output

HOUSING	VOLTAGE	OPTIONS
LF4LED5G4	120	HDM³ Lutron 3-wire/EcoSystem to 1%
LF4LED6G4	277	2DM³ Lutron 2-wire Leading Edge to 1% (120V only)
LF4LED7G4		WIH wiHUBB® Enabled

NOTES

- ¹ Requires WT option also
- ² Must select WW on trim
- ³ For HDM & 2DM options, housing output must match trim output



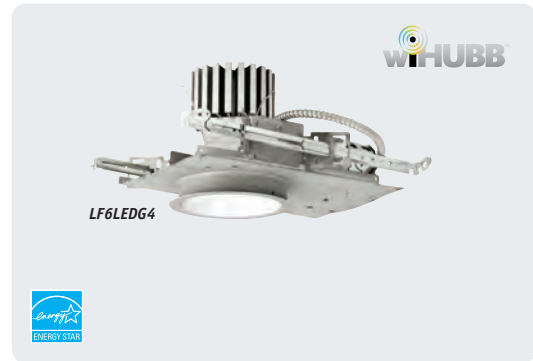
LF6LEDG4

6" LiteFrame LED Open Downlights

Remote phosphor LED system in 3000K, 3500K, 4000K

FEATURES

- Light Engine utilizes Philips Fortimo remote phosphor technology for controlled color consistency fixture to fixture
- 70 Lumens per watt delivered
- Glare free optical control
- Shipped with pre-installed Light Commercial bar hangers. (See below for optional Commercial grade bar hangers)
- Minimum 50,000 hour at 70% lumen maintenance system life
- ENERGY STAR qualified
- Photometrics tested per IESNA-LM-79-2008 standards
- Non-IC rated. Suitable for wet locations and through wiring (Damp location for EM)
- Available with exclusive wiHUBB technology preinstalled
- Luminaires are certified by a National Recognized Testing Lab (NRTL), either UL or CSA.



ARCHITECTURAL

ORDERING INFORMATION

EXAMPLE: LF6LEDG4-6LFLLED5G430KWHWT

LF6LEDG4			-	6LFLLED5G4	30K			WH	WT	-	
----------	--	--	---	------------	-----	--	--	----	----	---	--

HOUSING	VOLTAGE	OPTIONS	TRIM	LED COLOR TEMP	REFLECTOR FINISH	REFLECTOR COLORS	REFLECTOR OPTIONS	ACCESSORIES
LF6LEDG4 6" High Efficacy LED Housing	Blank 120-277V 347^A 347V	Blank Standard 0-10V dimming EM^{2,4} Emergency Battery Pack with integral test switch and indicator light EMR⁴ Emergency Battery Pack with remote test switch and indicator light WIH wiHUBB [®] Enabled	6LFLLED5G4 1100 Lumen module 6LFLLED6G4 1500 Lumen module 6LFLLED7G4 2000 Lumen module	30K 3000 Kelvin, 80 CRI 35K 3500 Kelvin, 80 CRI 40K 4000 Kelvin, 80 CRI	Blank Alzak Semi-Diffuse	Blank Clear Alzak CG Champagne Gold Alzak BL Black Alzak WE Wheat Alzak LW Light Wheat Alzak PW Pewter Alzak WH¹ White Paint	WT White Trim TRG Trim Ring Gasket (factory installed) EM² Remote Emergency with light and test switch NCT³ Non-conductive trim WF Wide Flange	B24 Set of two(2) 24" bar hangers for T-bar ceilings B6 Set of two (2) bar hangers for ceiling joist up to 24" centers LFSC6 6" reflector screw cover LFSC6EM 6" reflector screw cover for EM SCA6D Sloped ceiling adapter (see note on spec sheet) Signos6 Architectural glass elements. Refer to specification sheets ARCH-SIG-001 and -003 LiteGear See spec sheet for availability (not compatible with EM or EMR)

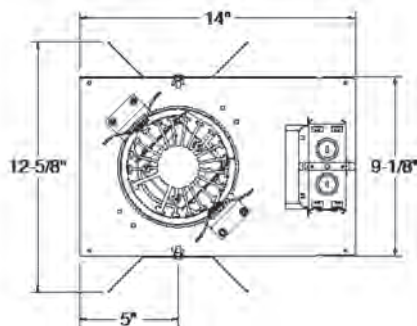
Use with HDM/2DM dimming option:
Match Housing to Trim Output

HOUSING	VOLTAGE	OPTIONS
LF6LED5G4	120	HDM⁵ Lutron 3-wire Eco System to 1%
LF6LED6G4	277	2DM⁵ Lutron 2-wire Leading Edge to 1% (120V only)
LF6LED7G4		EM^{2,4} Emergency Battery Pack with integral test switch and indicator light EMR⁴ Emergency Battery Pack with remote test switch and indicator light WIH wiHUBB [®] Enabled

NOTES

- ¹ Requires WT option
- ² EM option required on both housing and trim
- ³ See spec sheet for details
- ⁴ 347V not available with EM or EMR
- ⁵ For HDM & 2DM options, housing output must match trim output

*Please refer to specification sheet for EM line art.



LF6LEDG4

LF6LEDG4

6" LiteFrame LED Wall Wash Downlights

Remote phosphor LED system in 3000K, 3500K, 4000K

ARCHITECTURAL



LF6LEDG4



FEATURES

- Light Engine utilizes Philips Fortimo remote phosphor technology for controlled color consistency fixture to fixture
- 70 Lumens per watt delivered
- Glare free optical control
- Shipped with pre-installed Light Commercial bar hangers. (See below for optional Commercial grade bar hangers)
- Minimum 50,000 hour at 70% Lumen maintenance system life
- Photometrics tested per IESNA-LM-79-2008 standards
- Non-IC rated. Suitable for wet locations and through wiring
- Available with exclusive wiHUBB technology preinstalled
- Luminaires are certified by a National Recognized Testing Lab (NRTL), either UL or CSA.

ORDERING INFORMATION

EXAMPLE: LF6LEDG4WW-6LFLED5G430KWHWTWW

LF6LEDG4		WW		6LFLED5G4		30K		WH		WTWW					
HOUSING	VOLTAGE	OPTIONS		TRIM		LED COLOR TEMP		REFLECTOR FINISH	REFLECTOR COLORS	REFLECTOR OPTIONS	ACCESSORIES				
LF6LEDG4	6" High Efficacy LED Housing	Blank	120-277V	Blank	Standard 0-10V dimming	6LFLED5G4	1100 Lumen module	30K	3000 Kelvin, 80 CRI	Blank	Clear Alzak	WT	White Trim	B24	Set of two(2) 24" bar hangers for T-bar ceilings
	347	347V	WW ²	Wall Wash	6LFLED6G4	1500 Lumen module	35K	3500 Kelvin, 80 CRI	Alzak Semi-Diffuse	CG	Champagne Gold Alzak	TRG	Trim Ring Gasket (factory installed)	B6	Set of two (2) bar hangers for ceiling joist up to 24" centers
			WIH	wiHUBB® Enabled	6LFLED7G4	2000 Lumen module	40K	4000 Kelvin, 80 CRI		BL	Black Alzak	NCT	Non-conductive trim	Signos6	Architectural glass elements. Refer to specification sheets ARCH-SIG-001 and -003
										WE	Wheat Alzak	WW ²	Wall Wash	LiteGear	See spec sheet for availability
										LW	Light Wheat Alzak	WF	Wide Flange		
										PW	Pewter Alzak				
										WH ¹	White Paint				

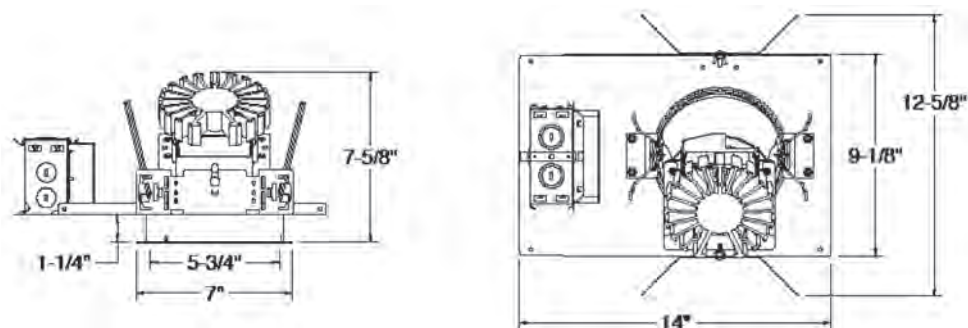
Use with HDM/2DM dimming option: Match Housing to Trim Output

HOUSING	VOLTAGE	OPTIONS
LF6LED5G4	120	WW ² Wall Wash
LF6LED6G4	277	HDM ³ Lutron 3-wire/ Eco System to 1%
LF6LED7G4		2DM ³ Lutron 2-wire Leading Edge to 1% (120V only)
		WIH wiHUBB® Enabled

NOTES

- ¹ Requires WT option
- ² WW option required on both housing and trim
- ³ For HDM & 2DM options, housing output must match trim output

*Please refer to specification sheet for wall wash or EM line art.



LF6LEDG4G4 WW

LF6LED8G4

6" LiteFrame LED Open Downlights
Remote phosphor LED system in 3000K, 3500K, 4000K

FEATURES

- Light Engine utilizes Philips Fortimo remote phosphor technology for controlled color consistency fixture to fixture
- 70 Lumens per watt delivered
- Glare free optical control
- Shipped with pre-installed Light Commercial bar hangers. (See below for optional Commercial grade bar hangers)
- Minimum 50,000 hour at 70% lumen maintenance system life
- ENERGY STAR qualified
- Photometrics tested per IESNA-LM-79-2008 standards
- Non-IC rated. Suitable for wet locations and through wiring (Damp location for EM)
- Available with exclusive wiHUBB technology preinstalled
- Luminaires are certified by a National Recognized Testing Lab (NRTL), either UL or CSA.



ARCHITECTURAL

ORDERING INFORMATION

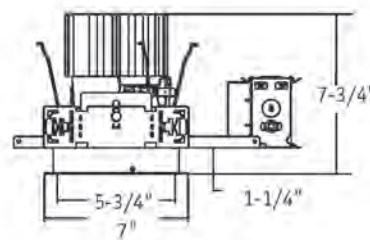
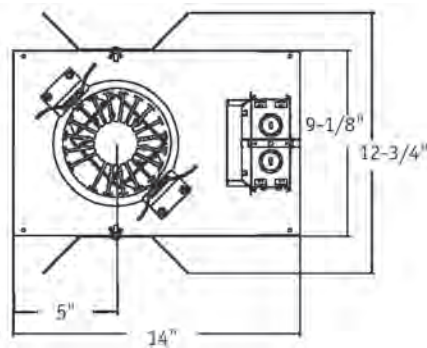
EXAMPLE: LF6LED8G4-6LFLED8G430KWHWT

LF6LED8G4				-		6LFLED8G4		30K				WH		WT		-			
HOUSING		VOLTAGE		OPTIONS		TRIM		LED COLOR TEMP		REFLECTOR FINISH		REFLECTOR COLORS		REFLECTOR OPTIONS		ACCESSORIES			
LF6LED8G4	6" High Efficacy LED Housing	120	120V	Blank	Standard 0-10V dimming	6LFLED8G4	3000 Lumen module	30K	3000 Kelvin, 80 CRI	Blank	Alzak Semi-Diffuse	Blank	Clear Alzak	WT	White Trim	B24	Set of two(2) 24" bar hangers for T-bar ceilings		
		277	277V	HDM²	Lutron 3-wire/Eco System to 1%			35K	3500 Kelvin, 80 CRI			CG	Champagne Gold Alzak	TRG	Trim Ring Gasket (factory installed)	B6	Set of two (2) bar hangers for ceiling joist up to 24" centers		
		347²	347V	2DM²	Lutron 2-wire Leading Edge to 1% (120V only)			40K	4000 Kelvin, 80 CRI			BL	Black Alzak			LFSC6	6" reflector screw cover		
				WIH	wiHUBB [®] Enabled							WE	Wheat Alzak			SCA6D	Sloped ceiling adapter (see note on spec sheet)		
												LW	Light Wheat Alzak			Signos6	Architectural glass elements. Refer to specification sheets ARCH-SIG-001 and -003		
												PW	Pewter Alzak			LiteGear	See spec sheet for availability		
												WH¹	White Paint						

NOTES

¹ Requires WT option

² 347V not available with HDM & 2DM



LF6LED8G4

LF6LED8G4

6" LiteFrame LED Wall Wash Downlights

Remote phosphor LED system in 3000K, 3500K, 4000K



LF6LED8G4

FEATURES

- Light Engine utilizes Philips Fortimo remote phosphor technology for controlled color consistency fixture to fixture
- 70 Lumens per watt delivered
- Glare free optical control
- Shipped with pre-installed Light Commercial bar hangers. (See below for optional Commercial grade bar hangers)
- Minimum 50,000 hour at 70% lumen maintenance system life
- Photometrics tested per IESNA-LM-79-2008 standards
- Non-IC rated. Suitable for wet locations and through wiring
- Available with exclusive wiHUBB technology preinstalled
- Luminaires are certified by a National Recognized Testing Lab (NRTL), either UL or CSA.

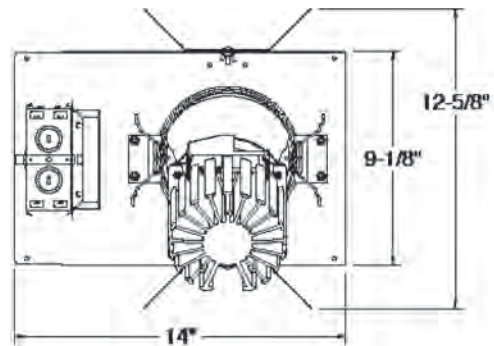
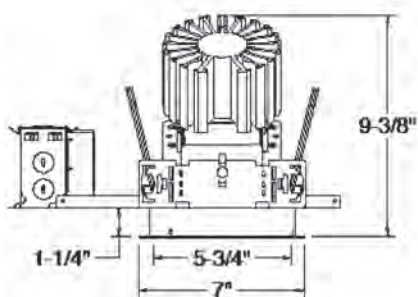
ORDERING INFORMATION

EXAMPLE: LF6LED8G4WW-6LFLED8G430KWH-WTWW

LF6LED8G4		VOLTAGE		OPTIONS		TRIM		LED COLOR TEMP		REFLECTOR FINISH		REFLECTOR COLORS		REFLECTOR OPTIONS		ACCESSORIES			
LF6LED8G4	6" High Efficacy LED Housing	120	120V	Blank	Standard 0-10V dimming	6LFLED8G4	3000 Lumen module	30K	3000 Kelvin, 80 CRI	Blank	Alzak Semi-Diffuse	Blank	Clear Alzak	WW²	Wall Wash	B24	Set of two(2) 24" bar hangers for T-bar ceilings		
		277	277V	WW²	Wall Wash			35K	3500 Kelvin, 80 CRI			CG	Champagne Gold Alzak	WT	White Trim	B6	Set of two (2) bar hangers for ceiling joist up to 24" centers		
		347³	347V	HDM³	Lutron 3-wire/ Eco System to 1%			40K	4000 Kelvin, 80 CRI			BL	Black Alzak	TRG	Trim Ring Gasket (factory installed)				
				2DM³	Lutron 2-wire Leading Edge to 1% (120V only)							WE	Wheat Alzak	WF	Wide Flange				
				WIH	wiHUBB [®] Enabled							LW	Light Wheat Alzak						
												PW	Pewter Alzak						
												WH¹	White Paint						
																	Signos6	Architectural glass elements. Refer to specification sheets ARCH-SIG-001 and -003	
																		LiteGear	See spec sheet for availability

NOTES

- ¹ Requires WT option
- ² WW option required on both housing and trim
- ³ 347V not available with HDM or 2DM



LF6LED8G4 WW

LF8LEDG4

8" LiteFrame LED Open Downlights

Remote phosphor LED system in 3000K, 3500K, 4000K

FEATURES

- Light Engine utilizes Philips Fortimo remote phosphor technology for controlled color consistency fixture to fixture
- 70 Lumens per watt delivered
- Glare free optical control
- Shipped with pre-installed Light Commercial bar hangers. (See below for optional Commercial grade bar hangers)
- Minimum 50,000 hour at 70% lumen maintenance system life
- ENERGY STAR qualified
- Photometrics tested per IESNA-LM-79-2008 standards
- Non-IC rated. Suitable for wet locations and through wiring (Damp location for EM)
- Luminaires are certified by a National Recognized Testing Lab (NRTL), either UL or CSA.



LF8LEDG4

ARCHITECTURAL

ORDERING INFORMATION

EXAMPLE: LF8LEDG4-8LFLED5G430KWHWT



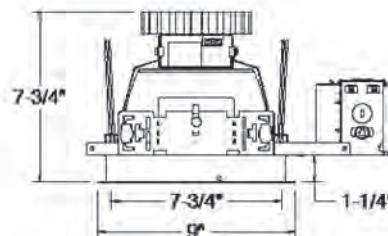
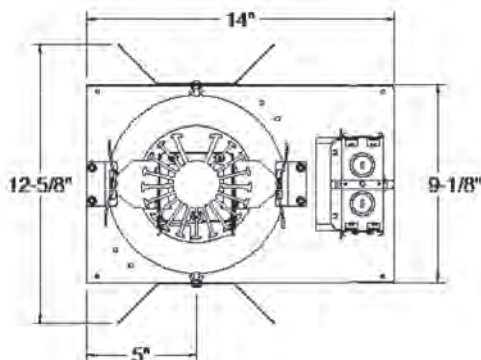
HOUSING	VOLTAGE	OPTIONS	TRIM	LED COLOR TEMP	REFLECTOR FINISH	REFLECTOR COLORS	REFLECTOR OPTIONS	ACCESSORIES
LF8LEDG4 8" High Efficacy LED Housing	Blank 120-277V 347 ³ 347V	Blank Standard 0-10V dimming to 10% EM ^{2,3} Emergency Battery Pack with integral test switch and indicator light EMR ³ Emergency Battery Pack with remote test switch and indicator light WIH WiHUBB [®] Enabled	8LFLED5G4 1100 Lumen module 8LFLED6G4 1500 Lumen module 8LFLED7G4 2000 Lumen module	30K 3000 Kelvin, 80 CRI 35K 3500 Kelvin, 80 CRI 40K 4000 Kelvin, 80 CRI	Blank Alzak Semi-Diffuse	Blank Clear Alzak CG Champagne Gold Alzak BL Black Alzak WE Wheat Alzak LW Light Wheat Alzak PW Pewter Alzak WH ¹ White Paint	WT White Trim TRG Trim Ring Gasket EM ² Prepunched reflector for integral switch WF Wide Flange	B24 Set of two(2) 24" bar hangers for T-bar ceilings B6 Set of two (2) bar hangers for ceiling joist up to 24" centers LFSC8 8" Reflector screw cover LFSC8EM 8" Reflector screw cover for EM SCA8D Sloped ceiling adapter (See note on spec sheet) Signos8 Architectural glass elements. Refer to specification sheets ARCH-SIG-005 and -007 LiteGear See spec sheet for availability (not compatible with EM)

Use with HDM/2DM dimming option: Match Housing to Trim Output

HOUSING	VOLTAGE	OPTIONS
LF8LED5G4	120 120V	EM ^{2,3} Emergency Battery Pack with integral test switch and indicator light
LF8LED6G4	277 277V	EMR ³ Emergency Battery Pack with remote test switch and indicator light
LF8LED7G4		HDM ⁴ Lutron 3-wire Eco System to 1% 2DM ⁴ Lutron 2-wire Leading Edge to 1% (120V only)

NOTES

- ¹ Requires WT option also
 - ² EM option required on both housing and trim
 - ³ 347V not available with EM or EMR
 - ⁴ For HDM & 2DM options, housing output must match trim output
- * Please refer to specification sheet for EM lineart (same size as LF6LED page)



LF8LED8G4

8" LiteFrame LED Open Downlights

Remote phosphor LED system in 3000K, 3500K, 4000K

ARCHITECTURAL



LF8LED8G4

FEATURES

- Light Engine utilizes Philips Fortimo remote phosphor technology for controlled color consistency fixture to fixture
- 70+ Lumens per watt delivered
- Glare free optical control
- Shipped with pre-installed Light Commercial bar hangers. (See below for optional Commercial grade bar hangers)
- Minimum 50,000 hour at 70% lumen maintenance system life
- ENERGY STAR qualified
- Photometrics tested per IESNA-LM-79-2008 standards
- Non-IC rated. Suitable for wet locations and through wiring (Damp location for EM)
- Luminaires are certified by a National Recognized Testing Lab (NRTL), either UL or CSA.

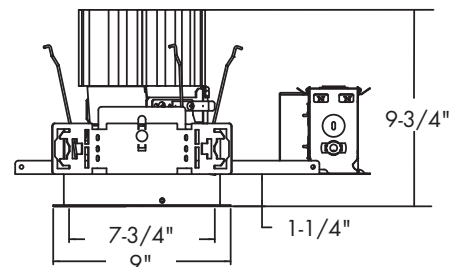
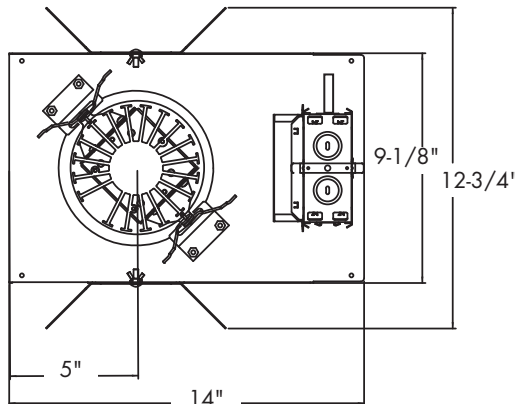
ORDERING INFORMATION

EXAMPLE: LF8LED8G4-8LFLED8G430KWHWT

LF8LED8G4				-		8LFLED8G4		30K				WH		WT		-			
HOUSING	VOLTAGE	OPTIONS	TRIM	LED COLOR TEMP	REFLECTOR FINISH	REFLECTOR COLORS	REFLECTOR OPTIONS	ACCESSORIES											
LF8LED8G4	8" High Efficacy LED Housing	120 120V 277 277V 347² 347V	8LFLED8G4 3000 Lumen module	30K 3000 Kelvin, 80 CRI 35K 3500 Kelvin, 80 CRI 40K 4000 Kelvin, 80 CRI	Blank Alzak Semi-Diffuse	Blank Clear Alzak CG Champagne Gold Alzak BL Black Alzak WE Wheat Alzak LW Light Wheat Alzak PW Pewter Alzak WH¹ White Paint	WT White Trim TRG Trim Ring Gasket WF Wide Flange	B24 Set of two(2) 24" bar hangers for T-bar ceilings B6 Set of two (2) bar hangers for ceiling joist up to 24" centers LFSC8 8" Reflector screw cover SCA8D Sloped ceiling adapter (See note on spec sheet) Signos8 Architectural glass elements. Refer to specification sheets ARCH-SIG-005 and -007 LiteGear See spec sheet for availability											

NOTES

- ¹ Requires WT option also
- ² 347V not available with HDM or 2DM



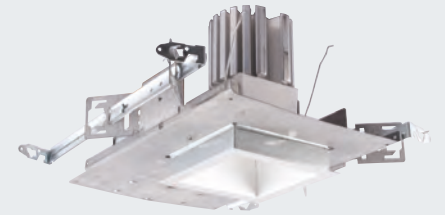
LF4SQLEDG4/LF6SQLEDG4

4" & 6" LiteFrame Square LED Open & Lensed Downlights 1100-2000 Lumens

Remote phosphor LED system in 3000K, 3500K, 4000K

FEATURES

- Light Engine utilizes Philips Fortimo remote phosphor technology for controlled color consistency fixture to fixture
- Universal 120-277V high efficiency LED driver
- Shipped with pre-installed Light Commercial bar hangers. (See below for optional Commercial grade bar hangers)
- Minimum 50,000 hour at 70% lumen maintenance system life
- ENERGY STAR qualified with open, clear reflectors
- Photometrics tested per IESNA-LM-79-2008 standards
- Non-IC rated. Suitable for wet locations and through wiring (EMR is damp location, US only)
- 0-10V dimming to 10% standard. Lutron 2-wire, 3-wire, & EcoSystem dimming to 1% available.
- Luminaires are certified by a National Recognized Testing Lab (NRTL), either UL or CSA.



LF4SQLED



ARCHITECTURAL

ORDERING INFORMATION

EXAMPLE: LF4SQLEDG4-4SQLED5G4 30K WH WT

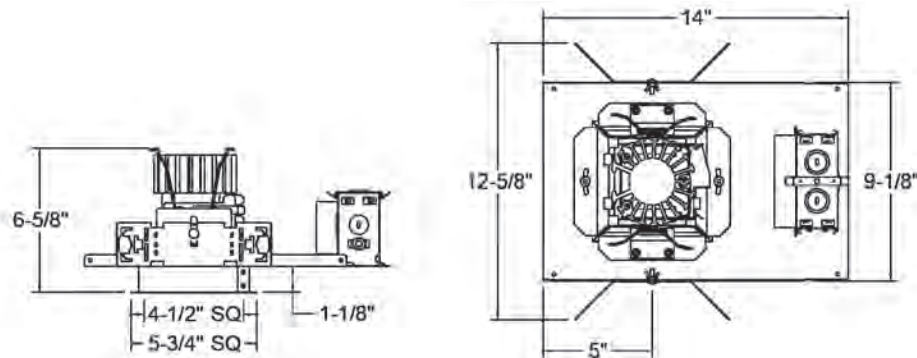
LF4SQLEDG4			-	4SQLED5G4	30K		WH	WT	-	
HOUSING	VOLTAGE	OPTIONS		TRIM	LED COLOR TEMP		REFLECTOR COLORS	REFLECTOR OPTIONS		ACCESSORIES
LF4SQLEDG4 4" High Efficacy LED Housing	Blank 120-277V 347 ⁵	Blank Standard 0-10V dimming EM ^{2,3,5} Emergency Battery Pack with integral test switch and indicator light EMR ⁵ Emergency Battery Pack with remote test switch and indicator light WIH WiHUBB® Enabled		4SQLED5G4 4" 1100 Lumens 4SQLED6G4 4" 1500 Lumens 4SQLED7G4 4" 2000 Lumens 6SQLED5G4 6" 1100 Lumens 6SQLED6G4 6" 1500 Lumens 6SQLED7G4 6" 2000 Lumens	30K 35K 40K		Blank Clear CG Champagne Gold BL Black WE Wheat LW Light Wheat PW Pewter WH ¹ White Paint	WT White Trim EM ^{2,3} Regressed reflector for integral switch CL Regressed clear lens PL Regressed prismatic lens DL Regressed diffuse lens		B24 Set of two(2) 24" bar hangers for T-bar ceilings B6 Set of two (2) bar hangers for ceiling joist up to 24" centers LiteGear See Spec Sheet for availability (not compatible with EMR)
LF6SQLEDG4 6" High Efficacy LED Housing										
							REFLECTOR FINISH			
							Blank Semi-Diffuse			

USE WITH HDM/2DM DIMMING⁴

HOUSING	VOLTAGE	OPTIONS
LF4SQLED5G4	120	HDM ⁴ Lutron 3-wire/EcoSystem to 1%
LF4SQLED6G4	277	2DM ⁴ Lutron 2-wire Leading Edge to 1% (120V only)
LF4SQLED7G4		EM ^{2,3,5} Emergency Battery Pack with integral test switch and indicator light
LF6SQLED5G4		EMR ⁵ Emergency Battery Pack with remote test switch and indicator light
LF6SQLED6G4		WIH WiHUBB® Enabled
LF6SQLED7G4		

NOTES

- ¹ Requires WT option
 - ² Select EM on both housing and trim
 - ³ Not available with LF4SQLED or regressed lens
 - ⁴ For HDM & 2DM options, housing output must match trim output
 - ⁵ 347V not available with EM or EMR
- * See LF6SQLEDG4 specification sheet for line art



LF4SQLEDG4



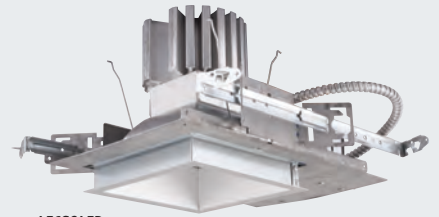
LF6SQLED8G4

6" LiteFrame Square 3000 Lumen Downlights Open, Lensed, & Wall Wash

Remote phosphor LED system in 3000K, 3500K, 4000K

FEATURES

- Light Engine utilizes Philips Fortimo remote phosphor technology for controlled color consistency fixture to fixture
- Shipped with pre-installed Light Commercial bar hangers. (See below for optional Commercial grade bar hangers)
- Minimum 50,000 hour at 70% lumen maintenance system life
- Photometrics tested per IESNA-LM-79-2008 standards
- Non-IC rated. Suitable for wet locations and through wiring
- 0-10V dimming to 10% standard. Lutron 2-wire, 3-wire, & EcoSystem dimming to 1% available.
- Luminaires are certified by a National Recognized Testing Lab (NRTL), either UL or CSA.



LF6SQLED



(open only)

ARCHITECTURAL

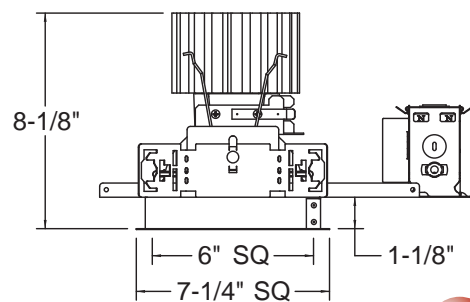
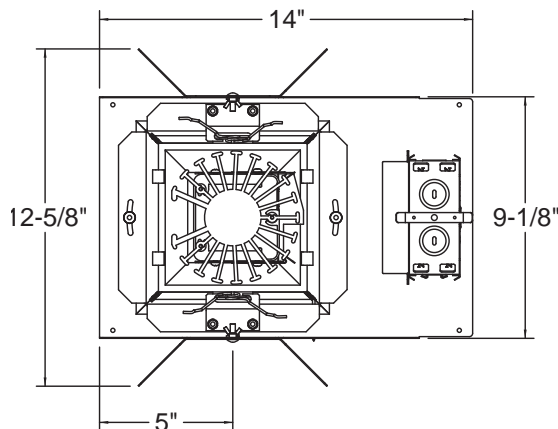
ORDERING INFORMATION

EXAMPLE: LF6SQLED8G4-6SQLED8G4 30K WH WT

LF6SQLED8G4				-	6SQLED8G4	30K		WH	WT	-	
HOUSING		VOLTAGE	OPTIONS		TRIM	LED COLOR TEMP	REFLECTOR FINISH	REFLECTOR COLORS	REFLECTOR OPTIONS	ACCESSORIES	
LF6SQLED8G4	6" High Efficacy LED Housing	120 277 347 ⁵	Blank	Standard 0-10V dimming	6SQLED8G4	30K 35K 40K	Blank	Clear CG Champagne Gold BL Black WE Wheat LW Light Wheat PW Pewter WH ¹ White Paint	WW ^{2,3} Wall Wash WT White Trim CL ⁴ Regressed clear lens PL ⁴ Regressed prismatic lens DL ⁴ Regressed diffuse lens	B24	Set of two (2) 24" bar hangers for T-bar ceilings
			HDM ⁵	Lutron 3-wire/EcoSystem to 1%			Semi-Diffuse			B6	Set of two (2) bar hangers for ceiling joist up to 24" centers
			2DM ⁵	Lutron 2-wire A Leading Edge to 1% (120V only)						LiteGear	See Spec Sheet for availability
			WW ²	Wall Wash							
			WIH	WiHUBB [®] Enabled							

NOTES

- ¹ Requires WT option also
- ² Select WW on both housing and trim
- ³ Comes standard with diffuse lens
- ⁴ Not available with wall wash
- ⁵ 347V not available with HDM or 2DM



MD8LED

8" High Lumen LED Downlight

120V-277V High Output

ARCHITECTURAL



MD8LED



FEATURES

- Light Engine with integral heat sink provides excellent thermal management and a minimum of 50,000 hours at 70% lumen maintenance
- Utilizes Nichia LEDs. Color consistency 3 SCDM
- Up to 40°C (104°F) Ambient Conditions
- 4 Beam Spreads- 25°, 35°, 45°, 55°
- Up to 75 lumens/per watt
- Photometrics tested per IESNA-LM-79-2008 standards.
- Luminaires are certified by a National Recognized Testing Lab (NRTL), either UL or CSA

ORDERING INFORMATION

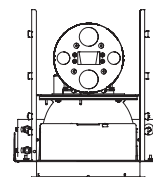
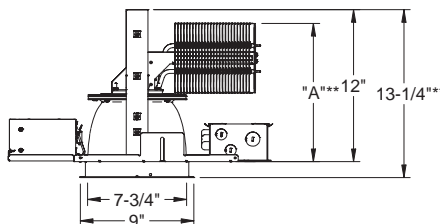
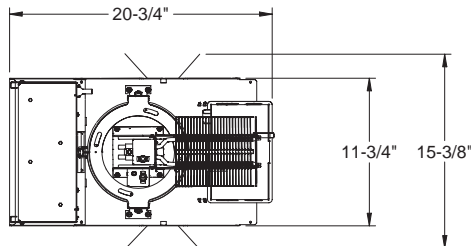
EXAMPLE: MD8LED12L 35K8- 8MD12LWFL45WCCL-B24

MD8LED	12L	35K	8		-	8MD	12L	WFL45		WC	CL	-	B24
--------	-----	-----	---	--	---	-----	-----	-------	--	----	----	---	-----

HOUSING	LED COLOR TEMP	CRI	OPTIONS	TRIM APERTURE	BEAM ANGLE	REFLECTOR COLORS	REFLECTOR OPTIONS
MD8LED 8" High Output LED Housing	27K 2700 Kelvin 30K 3000 Kelvin 35K 3500 Kelvin 40K 4000 Kelvin 50K 5000 Kelvin	8 80+ CRI	Blank Standard 0-10V dimming HDM Lutron Series A 3 Wire/ EcoSystem Dimming 2DM Lutron Series A Trailing Edge Dimming (120v only) WIH WiHUBB enabled DM1 0-10V Dimming to 1%	8MD 8" Alzak Reflector	MD25 Nominal 25 Degree Cutoff FL35 Nominal 35 Degree Cutoff WFL45 Nominal 45 Degree Cutoff XFL55 Nominal 55 Degree Cutoff	Blank Clear Alzak CG Champagne Gold Alzak BL Black Alzak WE Wheat Alzak LW Light Wheat Alzak PW Pewter Alzak BC1 Painted Black Cone WC1 Painted White Cone	CL Clear Lens over LEDs (wet location) SL Solite Softening Lens over LEDs (wet location) WT Painted White Flange BT Painted Black Flange
OUTPUT 3L² 3000 Delivered Lumens 6L² 6000 Delivered Lumens 9L² 9000 Delivered Lumens 12L² 12000 Delivered Lumens	VOLTAGE Blank 120V-277V			OUTPUT 3L² Suitable for 3000 Lumen Housing 6L² Suitable for 6000 Lumen Housing 9L² Suitable for 9000 Lumen Housing 12L² Suitable for 12000 Lumen Housing	REFLECTOR FINISH Blank Specular SS Semi-specular	ACCESSORIES B24 Set of two (2) 24" bar hangers for T-bar ceilings B6 Set of two (2) bar hangers for ceiling joist up to 24" centers SCA8D Sloped ceiling adapter	



NOTES
 1 Must specify either WT or BT for painted cone
 2 Housing and reflector output must be consistent



REFLECTOR*	HEIGHT (A)
25°	18"
35°	15"
45°	11"
55°	10"

*WITH LENS ASSEMBLY
 **Dimension "A" may or may not be limiting vertical dimension depending upon chosen reflector.

INTEGRAL EMER/DIMMING



Integral Emergency

- Specify "EM" option for integral LED/switch or "EMR" for remote LED/switch on select Prescolite downlights
- Premium sealed nickel cadmium battery with a life expectancy of 7-10 years
- Provides 90 minutes of backup power
- Two-foot conduit enclosed leads provided
- 22 gauge steel housing
- UL 924 Listed – damp location
- Exceeds NEC and NFPA requirements
- Dual voltage (120V and 277V)
- 24-hour charge time

EM Features

- Compatible with LiteFrame LED Series Downlights
- 1100 and 2000 Lumen Module
- 4", 6", 8"

Dimming Options:

Prescolite offers a variety of dimming options for easy specification and system flexibility. These options are pre-engineered as standard options using the catalog number suffixes indicated below. Additional dimming choices on other products are also available on an engineered-to-order basis (contact quotations for an ETO quote request).

DM or DM1

General Dimming
100% to 10% (DM1- 100%-1%)
4-wire, 0-10V control
120V or 277V

BLACK (HOT)
WHITE (NEUTRAL)
VIOLET (CONTROL +)
GRAY (CONTROL -)
GREEN (GROUND)

HDM

Lutron® Hi-Lume®
100% to 1%
3-wire, line voltage control
Specify 120V or 277V

BLACK (HOT)
ORANGE (DIMMED HOT)
WHITE (NEUTRAL)
GREEN (GROUND)

Lutron EcoSystem
Digital Dimming
100% to 1%

BLACK (HOT)
WHITE (NEUTRAL)
GREEN (GROUND)
PURPLE(E1)
PURPLE(E1)

2DM

Lutron® Tu-Wire®
100% to 1%
2-wire, line voltage control
120V

BLACK (DIMMED HOT)
WHITE (NEUTRAL)
GREEN (GROUND)

*Prescolite reserves the right to change ballast providers at any time

6" DECORATIVE TRIMS

6" Round Architectural Elements

One and Two Level Architectural Elements Designed for LED, CFL, Incandescent, and Metal Halide Recessed Downlights

ARCHITECTURAL



FEATURES

- Open design meets the requirement of ambient lighting without sacrificing illumination levels.
- Glass elements and acrylic color accents can be mixed and matched to create thousands of unique combinations.
- Retention mechanism allows relamping without removing trim from ceiling.
- Sturdy mounting flange is constructed of aluminum painted in black, white, bronze, brass, or brushed aluminum.
- For use with Prescolite® 6" Architektur downlights.
- Signos is a fully customizable product line. Contact your Prescolite representative for more information.
- Refer to www.prescolite.com for additional options and accessories.

ORDERING INFORMATION

EXAMPLE: CFT632EB-STF602MFC-B6-SR6060

CFT632EB-STF602MFC-B6

SR6060

ELEMENTS

	SR6010 Standard brushed aluminum foundation flange with glass ring.		SR6030¹ Standard brushed and painted brass foundation flange and frosted glass dome.		SR6045NF Small brushed aluminum foundation flange and two frosted glass rings.		SR6055NF Standard brushed and painted brass foundation flange and frosted glass flag and architectural armature.		SR6060 Standard brushed and painted brass foundation flange, frosted glass ring, and cobalt blue acrylic ring.
	SR6070 Standard brushed aluminum foundation flange, cobalt blue acrylic ring, and frosted glass ring with cobalt blue acrylic disk.		SR6075 Standard white foundation flange, cobalt acrylic ring with frosted glass ring, brass finials and armature with cobalt blue glass cone.		SR6080NF Small brushed aluminum foundation flange with two brushed aluminum rings.		SR6090 Standard white foundation flange, frosted glass ring with ruby red acrylic ring, and white architectural armature.		SR6095 Standard brushed aluminum foundation flange, and perforated aluminum ring with aluminum camming rings.
	SR6100NF Small white foundation flange, and white perforated aluminum ring with white camming rings.		SR6105 Standard brushed aluminum foundation flange, clear glass disc with frosted center and a aluminum camming ring.		SR6110NF Small brushed aluminum foundation flange and clear glass disc with frosted center.		SR6115NF Small brushed aluminum foundation flange and clear glass with aluminum camming rings.		SR6120 Standard brushed aluminum foundation flange and clear glass ring.

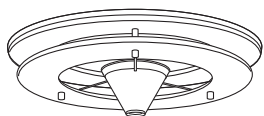
NOTES

¹ SR6030 cannot be used with INC600

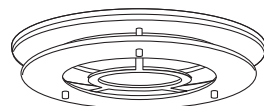
Signos® trims are not compatible with regressed lens options

Signos® trims should be attached after the downlights have been installed and ceilings finished

Special configurations are available. Contact your sales agent or Prescolite representative.



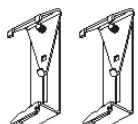
SR6075
Overall Height: 2-1/2"
Flange Diameter: 9-1/8"



SR6090
Overall Height: 2"
Flange Diameter: 9-1/8"

INSTALLATION FEATURES

Sky twist mounting brackets snap onto Prescolite® plaster flange for easy trim mounting. Brackets are equipped with safety wire to secure trim to housing. Trim safety wire allows product to be relamped without having to remove trim from ceiling. Mounting brackets can be installed from below ceiling.



Sky Twist Mounting Brackets



1 Brackets snap onto plaster flange for easy trim mounting



2 Safety wire keeps trim secure to housing



3 Twist to lock in place



Dimensions
Aperture: Nominal 6"

8" DECORATIVE TRIMS

8" Round Architectural Elements

One and Two Level Architectural Elements Designed for LED, CFL, Incandescent, and Metal Halide Recessed Downlights

FEATURES

- Open design meets the requirement of ambient lighting without sacrificing illumination levels.
- Glass elements and acrylic color accents can be mixed and matched to create thousands of unique combinations.
- Retention mechanism allows relamping without removing trim from ceiling.
- Sturdy mounting flange is constructed of aluminum painted in black, white, bronze, brass, or brushed aluminum.
- For use with Prescolite® 8" Architektur downlights.
- Signos is a fully customizable product line. Contact your Prescolite® representative for more information.
- Refer to www.prescolite.com for additional options and accessories.



SR1060

ARCHITECTURAL

ORDERING INFORMATION

EXAMPLE: CFQ818EB-STF802-B24-SR1010

CFQ818EB-STF802-B24

SR1010

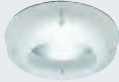
ELEMENTS



SR1005
Black foundation flange, frosted glass ring and short spacers.



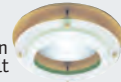
SR1010
Brushed aluminum foundation flange, with frosted glass ring and long spacers.



SR1015
White foundation flange with sloped frosted glass ring.



SR1020
White foundation flange and cobalt blue acrylic accent ring with sloped frosted glass ring.



SR1025
Brushed and painted brass foundation flange and a green acrylic disk with sloped frosted glass ring.



SR1030¹
Brushed and painted brass foundation flange with frosted acrylic dome.



SR1035
Black foundation flange with cobalt blue acrylic cut dome.



SR1040¹
Brushed and painted brass foundation flange, sloped glass ring, and dropped with armature with frosted cone.



SR1045
Brushed aluminum foundation flange with two frosted glass rings.



SR1055
Brushed aluminum foundation flange, frosted glass ring, cobalt blue acrylic disk with a frosted glass ring and architectural armature.



SR1060
Brushed and painted brass foundation flange, frosted glass ring, and a cobalt blue acrylic ring with a frosted glass ring.



SR1065
Bronze foundation flange, frosted glass ring, emerald green acrylic ring with a frosted glass ring and architectural armature.



SR1070
Brushed aluminum foundation flange with cobalt blue acrylic ring, and frosted glass ring with a cobalt blue acrylic disk.



SR1085
Black foundation flange, black aluminum ring, and architectural armature.



SR1090
White foundation flange, frosted glass ring with red acrylic ring and architectural armature.

NOTES

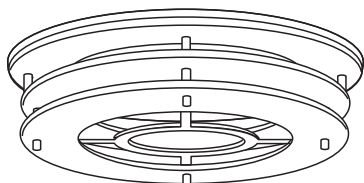
¹ SR1030 & SR1040 cannot be used with INC800

Signos® trims are not compatible with regressed lens options

Signos® trims should be attached after the downlights have been installed and ceilings finished

Special configurations are available. Contact your sales agent or Prescolite representative.

Contact factory for using Signos® with metal halide downlights



SR1065
Overall Height: 3-7/8"
Flange Dimension: 12"

Dimensions
Aperture: Nominal 8"

COMMERCIAL Lighting in commercial buildings is responsible for a large part of electricity consumption. Energy efficiency, performance and long-life are features that end users, architects and lighting specifiers look for when designing and maintaining a variety of commercial environments – and Prescolite’s products are designed to meet these needs.



LC6LED is the newest addition to the LiteFrame family and provides the energy efficiency, performance, and long life of our high quality LED downlights at a price comparable to equivalent compact fluorescent fixtures.

This LiteFrame Commercial LED uses either 36, 54, or 72 low power Nichia LEDs - allowing optimal thermal management by effectively spreading heat over a larger area and eliminating hot spots.

0-10V DIMMING AVAILABLE
ENERGY STAR QUALIFIED

**COMPATIBLE WITH
PRESCOLITE SLOPED
CEILING ADAPTERS**

**1000-1600 LUMENS
DELIVERED**



**PRE-WIRED J-BOX WITH SNAP-ON COVER FOR EASY ACCESS
AND INSTALLATION**

LC6LED

6" LiteFrame Commercial LED Downlights

LED system in 2700K, 3000K, 3500K, 4000K

FEATURES

- Light Engine utilizes Nichia LEDs for controlled color consistency fixture to fixture
- 1000-1600 Lumens delivered
- Glare free optical control
- Shipped with pre-installed Light Commercial bar hangers. (See below for optional Commercial grade bar hangers)
- ENERGY STAR Qualified on standard downlights
- Minimum 50,000 hour at 70% lumen maintenance system life
- Photometrics tested per IESNA-LM-79-2008 standards
- Non-IC rated. Suitable for wet locations and through branch wiring (EM & WW are damp location)
- Available with exclusive wiHUBB technology preinstalled
- Luminaires are certified by a National Recognized Testing Lab (NRTL), either UL or CSA.



COMMERCIAL

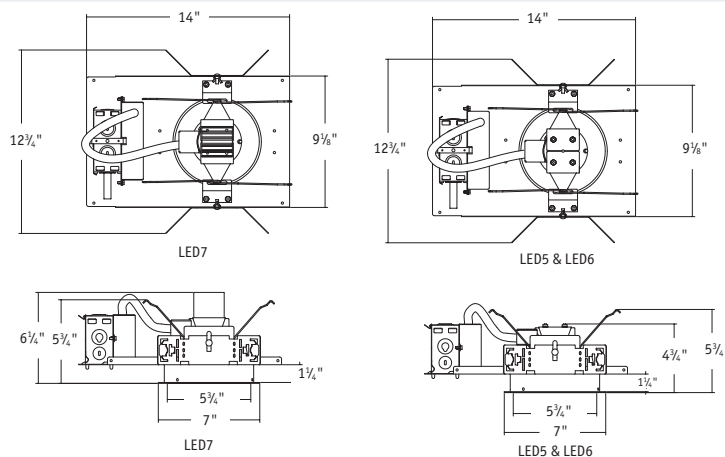
ORDERING INFORMATION

EXAMPLE: LC6LED120-6LCLED735K8 WH WT

LC6LED	120	-	6LCLED	7	35K	8		WH	WT	
HOUSING	VOLTAGE		TRIM	OUTPUT	LED COLOR TEMP	CRI		REFLECTOR COLORS		ACCESSORIES
LC6LED 6" LED Housing	120 120V 277 120V		6LCLED 6" Open Reflector/Light Engine Assembly,	5 Nominal 1000 lumens delivered 6 Nominal 1400 lumens delivered 7 Nominal 1600 lumens delivered	27K 2700 Kelvin 30K 3000 Kelvin 35K 3500 Kelvin 40K 4000 Kelvin	8 80+ CRI		WH ¹ White Paint		B24 Set of two(2) 24" bar hangers for T-bar ceilings B6 Set of two (2) bar hangers for ceiling joist up to 24" centers LiteGear See spec sheet for availability SCA6D_ Sloped ceiling adapter
	HOUSING OPTION					REFLECTOR FINISH			REFLECTOR OPTIONS	
	Blank No Dimming DM 0-10V dimming to 10% WIH wiHUBB® Enabled EM ³ Emergency Battery Pack with integral test switch and indicator light EMR Emergency Battery Pack with remote test switch and indicator light					Blank Alzak Semi-Diffuse		WT White Trim EM ³ Pre-Punched reflector to accept integral test switch WW ^{5,6} Wall Wash		

NOTES

- ¹ Requires WT option
- ² See spec sheet or www.prescolite.com for LiteGear Compatibility
- ³ EM option must be on both the housing and the trim
- ⁴ Not compatible with EM, EMR
- ⁵ Damp location only
- ⁶ Not compatible with EM (EMR is compatible)



See spec sheet for EM dimensional data



LIGHT COMMERCIAL Prescolite's extensive lighting line includes products that are ideal for residential and light commercial applications for both new construction and retrofitting opportunities. These innovative solutions offer excellent glare control and optical cutoff, color quality and warm white temperatures to increase visual comfort in these interior settings.



With up to 1000 delivered lumens, using less than 12 watts of power. LB6LEDA features excellent glare control and optical cutoff, color quality and a warm white color temperature.

**DIMMABLE TO
15% WITH MOST
STANDARD DIMMERS**



**INTEGRAL ALUMINUM HEAT SINK TO MAXIMIZE LIFE EXPECTANCY
AND LUMEN OUTPUT**

ENERGY STAR QUALIFIED

**RETROFIT APPLICATIONS WITH COMPATIBLE 6" HOUSINGS FROM
PRESCOLITE OR OTHERS USING THE UNIVERSAL SCREW BASE ADAPTER**

LB4LEDA

4" LED Trims

FEATURES

- Energy saving LED light engine with 9-watt input power
- Lumen output and distribution comparable to a 50W R20 incandescent lamp
- Photometrics tested per IESNA LM-79-2008 standards
- New construction with BX4QL-120, California Title 24 compliant
- Retrofit applications with compatible 4" housings using the universal screw base adapter
- Dimmable to 20% with most standard (forward or reverse phase) dimmers
- Easy installation with (3) friction spring clips and diffuse acrylic lens controls direct glare
- 50,000 hours life at 70% lumen maintenance per TM-21
- Heat sink to maximize life expectancy and lumen output
- ENERGY STAR® Qualified
- IC/Non-IC rated. Suitable for wet locations.
- Luminaires are certified by a National Recognized Testing Lab (NRTL).



LB4LEDA

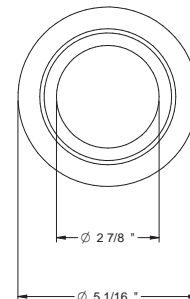
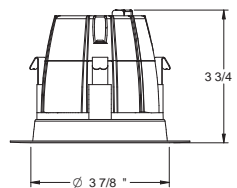
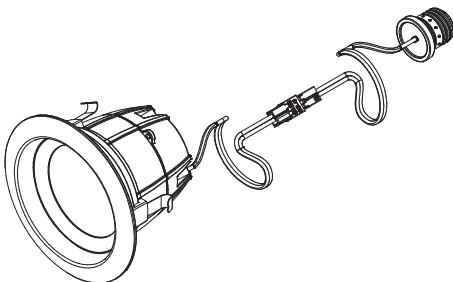


LIGHT COMMERCIAL

ORDERING INFORMATION

EXAMPLE: LB4LEDA30K WH

LB4LEDA	30K		WH	
TRIM	LED COLOR TEMP	CRI	TRIM COLOR	ACCESSORIES
LB4LEDA 4" 9W LED module with dimming to 20% 120V	30K 3000 Kelvin	Blank 80+ CRI	WH White	<p>BX4QL-120 4", line voltage Non-IC housing new construction applications</p> <p>IBX4QL-120 4", line voltage IC rated housing. New construction applications AirShield™ rated</p> <p>RMN4QL-120 4", line voltage Non-IC housing. Remodel applications.</p>



LB4LEDA



LB6LEDA

6" LED Trims

LIGHT COMMERCIAL



LB6LEDA



FEATURES

- Energy saving LED light engine with 12-14-watt input power
- Lumen output and distribution comparable up to 75W PAR incandescent lamp
- Photometrics tested per IESNA LM-79-2008 standards
- New construction with DBXQL, California Title 24 compliant
- Retrofit applications with compatible 6" housings using the universal screw base adapter (see below)
- Dimmable to 15% with most standard dimmers
- Easy installation with (3) friction spring clips and diffuse acrylic lens controls direct glare
- 60,000 hours life at 70% lumen maintenance per TM-21
- Heat sink to maximize life expectancy and lumen output
- ENERGY STAR[®] Qualified
- IC/Non-IC rated. Suitable for wet locations.
- Luminaires are certified by a National Recognized Testing Lab (NRTL), either UL or CSA.

ORDERING INFORMATION

EXAMPLE: LB6LEDA30K WH



TRIM

- LB6LEDA8L** 6" 800 Lumen LED module with dimming to 15% 120V
- LB6LEDA10L** 6" 1000 Lumen LED module with dimming to 15% 120V

LED COLOR TEMP

- 30K** 3000 Kelvin
- 35K¹** 3500 Kelvin

CRI

Blank 80+ CRI

TRIM COLOR

- WH** White
- BL¹** Black
- Z¹** Zet
- BZ¹** Bronze

ACCESSORIES

- LiteGear** See spec sheet for availability
- DBXQL** IC/Non-IC, Airtight housing with supply wire quick connects

LB6LEDA

Compatible for use with Prescolite DBX, IBXHW, RMN1CD, & FT6. Partial list of competitor IC & Non-IC housings UL classified with 6" trims includes:

Manufacturer

- Capri
- Commercial Electric
- Elco
- Emerald
- Halo
- Intense
- Jimway
- Juno
- Lithonia
- LumaPro
- Luminaire
- Nora
- Progress
- Sea Gull
- WAC

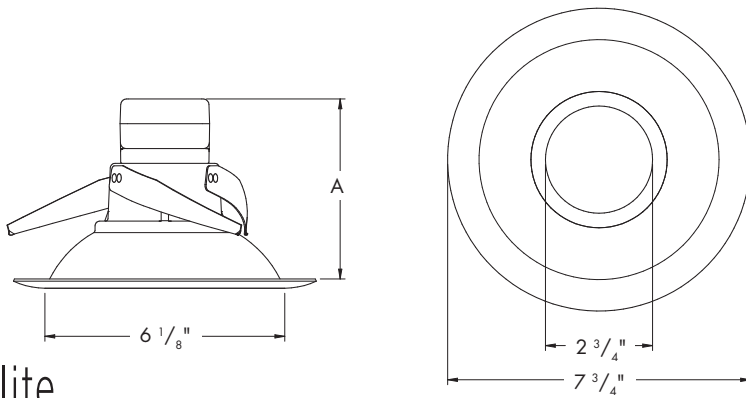
For complete list of competitor part numbers, see spec sheet at www.Prescolite.com

NOTES

¹ Available with LB6LEDA10L only.

Dimmable using most 3-wire low voltage electronic switches or 2-wire circuits

* See spec sheet or www.dual-lite.com for LiteGear Compatibility Matrix



Dim. A	LB6LEDA8L = 3-5/8"
	LB6LEDA10L = 4-5/8"



LB6LEDA

LBSLEDA10L

6" Surface LED Downlight
120V

FEATURES

- Installs to Standard 4x4 J-Box
- Energy saving LED light engine with 16-watt input power
- Lumen out put and distribution comparable up to 100W PAR incandescent
- Photometrics tested per IESNA-LM-79-2008 standards.
- New construction with DBXQL, California Title 24 compliant
- Retrofit applications with compatible 4", 5", or 6" housings using the universal screw base adapter
- 42,000 hours life at 70% lumen maintenance per TM-21
- ENERGY STAR® Qualified
- IC/Non-IC rated. Suitable for wet locations.
- Luminaires are certified by a National Recognized Testing Lab (NRTL), either UL or CSA.
- 1079 Delivered Lumens, 17 Watts



LBSLEDA10L

LIGHT COMMERCIAL

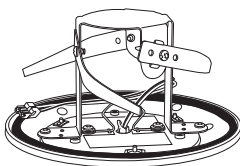
ORDERING INFORMATION

EXAMPLE: LBSLEDA10L30K WH

LBSLEDA10L	30K		WH	
TRIM	LED COLOR	CRI	TRIM COLOR	ACCESSORIES
LBSLEDA10L 6" Surface LED Module	30K 3000 Kelvin	Blank 80+ CRI	WH White	LiteGear See spec sheet for availability DBXQL IC/Non-IC Air-Tight housing with supply wire quick connects

Included Mounting Options:

Recessed Mount with quick link



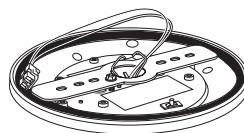
Recessed Adapter



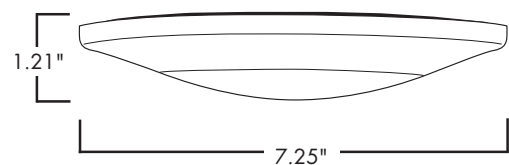
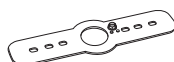
E26 Edison Base Adapter



J-Box Mount with quick link



J-Box Adapter

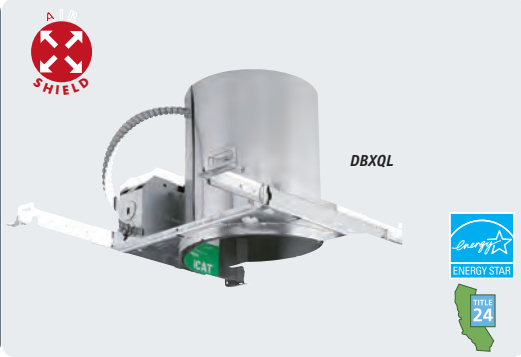


DBXQL

6" LED QuickLink

California Title 24 Compliant

LIGHT COMMERCIAL



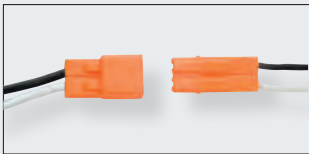
FEATURES

- Energy saving LED light engine with 12-14-watt input power
- California Title 24 compliant QuickLink connectors on housings and trims
- Lumen output and distribution comparable up to 75W PAR incandescent lamp.
- Photometrics tested per IESNA LM-79-2008 standards
- 60,000 hour life at 70% lumen maintenance per TM-21
- Heat sink to maximize life expectancy and lumen output.
- Excellent glare control and optical cutoff
- Dimmable to 15% with most standard dimmers
- IC/Non-IC, AirShield rated. Wet location with LB6LEDA.
- Luminaires are certified by a National Recognized Testing Lab (NRTL), either UL or CSA.

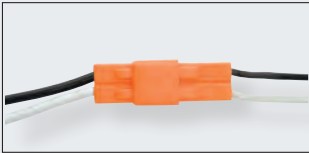
ORDERING INFORMATION

EXAMPLE: DBXQL-LB6LEDA30K WH

DBXQL	-	LB6LEDA	30K		WH
HOUSING		TRIM	LED COLOR TEMP	CRI	TRIM COLOR
DBXQL 6" LED QuickLink housing		LB6LEDA8L ¹ 6" 800 Lumen LED QuickLink trim LB6LEDA10L ¹ 6" 1000 Lumen LED QuickLink trim	30K 3000 Kelvin 35K ² 3500 Kelvin	Blank 80+ CRI	WH White BL ² Black Z ² Zet BZ ² Bronze



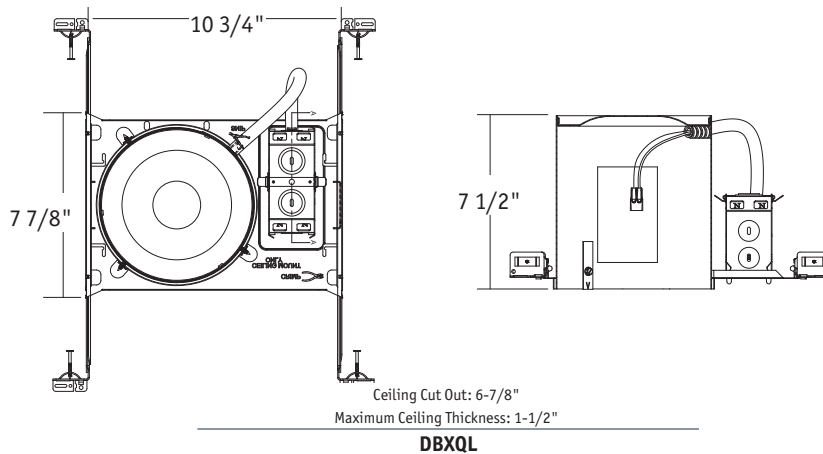
QuickLink: California Title 24 Compliant Connectors



QUICKLINK trims comply with the requirements of California Title 24 by providing a plug-in power connector in place of a screw shell socket. Ideal for residential and light commercial new construction applications where the use of screw shell sockets is restricted. The LB6LEDA trim is compatible with both an Edison Base and QL base housing.

NOTES

- ¹ See trim dimensions on page 329
 - ² Not available for LB6LEDA8L
- ^{*} See spec sheet or www.dual-lite.com for LiteGear Compatibility Matrix



FT6QLIC/LB6LEDA

6" FireTight LED QuickLink
California Title 24 Compliant & IC Rated

FEATURES

- UL Classified to maintain fire ratings of one hour or less for all UL P200 and P500 series fire-rated ceiling/floor assemblies
- UL Classified to maintain fire ratings of two hours or less in all UL L500, D500, G500, D200, and L200 series fire-rated ceiling/floor assemblies
- Energy saving LED light engine with 12-14-watt input power
- California Title 24 compliant QuickLink connectors on housings and trims
- Lumen output and distribution comparable up to 75W PAR incandescent lamp.
- Photometrics tested per IESNA LM-79-2008 standards
- 60,000 hour life at 70% lumen maintenance per TM-21
- Heat sink to maximize life expectancy and lumen output.
- Excellent glare control and optical cutoff
- Dimmable to 15% with most standard dimmers
- Suitable for through wiring. IC/Non-IC, AirShield rated. Wet Location with LB6LEDA.

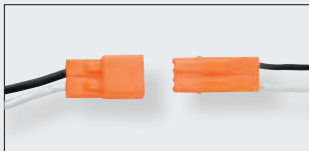


LIGHT COMMERCIAL

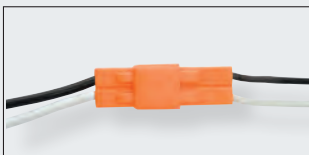
ORDERING INFORMATION

EXAMPLE: FT6QLIC-LB6LEDA30K WH

FT6QLIC		LB6LEDA		30K		WH	
HOUSING	TRIM	LED COLOR TEMP	CRI	TRIM COLOR	ACCESSORIES		
FT6QLIC 6" FireTight rated IC LED housing for fire-rated new constructions	LB6LEDA8L ¹ 6" 800 Lumen LED module with dimming to 15% LB6LEDA10L ¹ 6" 1000 Lumen LED module with dimming to 15%	30K 3000 Kelvin 35K ² 3500 Kelvin	Blank 80+ CRI	WH White BL ² Black Z ² Zet BZ ² Bronze	LiteGear See spec sheet for availability		



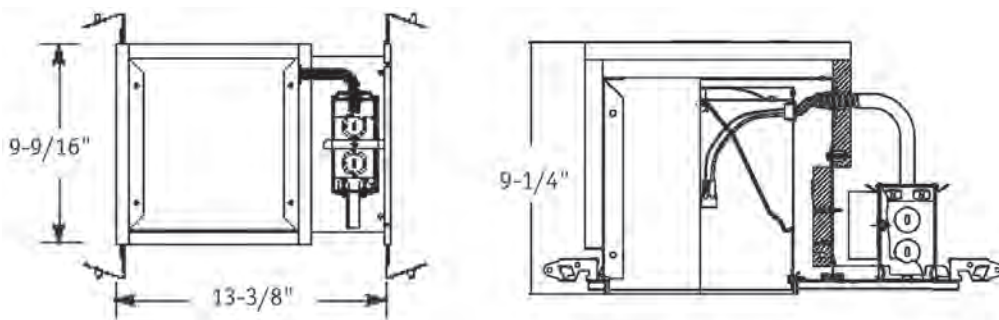
QuickLink: California Title 24 Compliant Connectors



QUICKLINK trims comply with the requirements of California Title 24 by providing a plug-in power connector in place of a screw shell socket. Ideal for residential and light commercial new construction applications where the use of screw shell sockets is restricted. The LB6LEDA trim is compatible with both an Edison Base and QL base housing.

NOTES

- ¹ See trim dimensions on page 329
- ² Not available for LB6LEDA8L
- ^{*} See www.dual-lite.com for LiteGear Compatibility Matrix



Ceiling Cut Out: 6-7/8"

FT6QLIC



BX4QL/IBX4QL/RMN4QL 120

4" LED QuickLink

California Title 24 Compliant



IBX4QL-120



FEATURES

- Ideal for residential and light commercial lighting projects that require a small, concealed line-voltage source.
- RMN4QL-120 remodel housing allows for quick and easy installation into existing ceilings
- Nail included on bar hangers.
- Suitable for wet locations and through wiring
- Luminaires are certified by a National Recognized Testing Lab (NRTL), either UL or CSA

ORDERING INFORMATION

EXAMPLE: BX4QL-120-LB4LEDA30K WH

BX4QL-120

LB4LEDA

30K

WH

HOUSING

- BX4QL-120** 4" line voltage Non-IC housing, new construction applications
- IBX4QL-120** 4" line voltage IC housing, new construction applications, AirShield™ rated
- RMN4QL-120** 4" line voltage Non-IC housing, Remodel applications.

TRIM

LB4LEDA¹ 4" LED QuickLink trim

LED COLOR TEMP

30K 3000 Kelvin

CRI

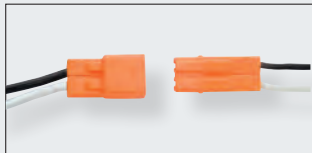
Blank 80+ CRI

TRIM COLOR

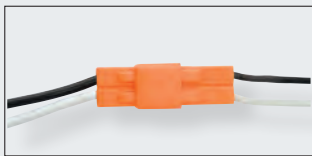
WH White

ACCESSORIES

- G4²** Ceiling gasket for the 4" line voltage housings. Seals housing to drywall opening
- ICBOX** Recessed enclosure for Non-IC housing in IC applications. See page 274.



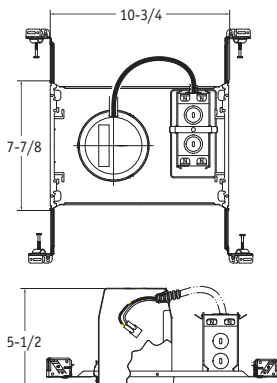
QuickLink: California Title 24 Compliant Connectors



QUICKLINK trims comply with the requirements of California Title 24 by providing a plug-in power connector in place of a screw shell socket. Ideal for residential and light commercial new construction applications where the use of screw shell sockets is restricted. The LB4LEDA trim is compatible with both an Edison Base and QL base housing.

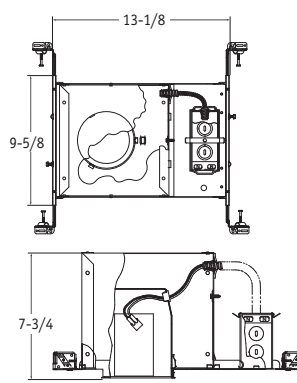
NOTES

- ¹ See trim dimensions on page 329
- ² IBX4QL-120 only



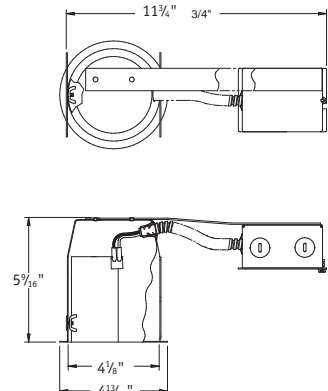
Ceiling Cut Out: 4-1/2"
Maximum Ceiling Thickness: 2-1/2"

BX4QL-120



Ceiling Cut Out: 4-1/2"
Maximum Ceiling Thickness: 2-1/2"

IBX4QL-120



Ceiling Cut Out: 4-1/2"
Maximum Ceiling Thickness: 1"

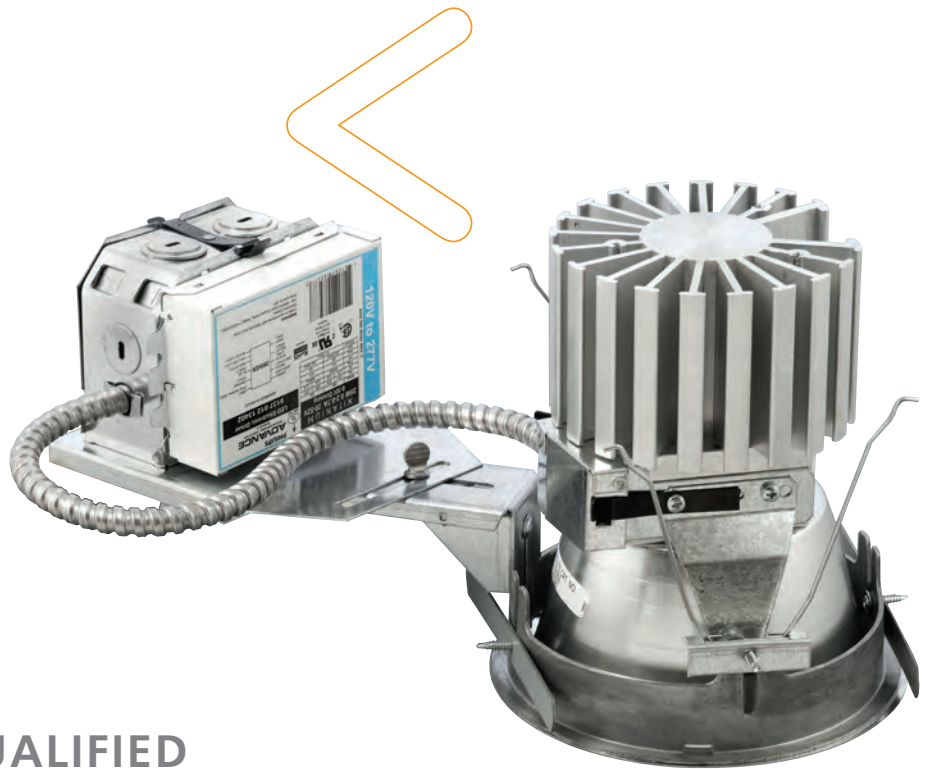
RMN4QL-120

RETROFIT The current marketplace offers a huge potential for commercial retrofit projects. Prescolite offers unique and simple energy efficient solutions that serve as an easy, cost effective way to upgrade competitive commercial housing to more energy efficient sources in existing spaces.



RLF6LED is a 6" Remote Phosphor LED Retrofit Downlight. Retroficient is designed specifically to retrofit into ceilings with existing recessed downlight fixtures.

EASY INSTALLATION FROM BELOW THE CEILING. PERFECT FOR RETROFITTING INTO DRYWALL CEILING APPLICATIONS



ENERGY STAR QUALIFIED

LIGHT ENGINE UTILIZES REMOTE PHOSPHOR TECHNOLOGY FOR CONTROLLED COLOR CONSISTENCY FIXTURE TO FIXTURE

RLF6LEDG4

6" LED Open Downlights

Remote phosphor LED system in 3000K, 3500K, 4000K

RETROFIT



RLF6LEDG4

FEATURES

- Light Engine utilizes Philips Fortimo remote phosphor technology for controlled color consistency fixture to fixture
- Universal design is compatible with most commercial or architectural 6" Recessed Downlights
- Easy installation from below the ceiling. Perfect for retrofitting into drywall ceiling applications
- No bar hangers required
- ENERGY STAR qualified
- Minimum 50,000 hour at 70% lumen maintenance system life, over 70 lumens/watt delivered
- Non-IC rated. Suitable for wet locations and through wiring
- Photometrics tested per IESNA-LM-79-2008 standards
- Luminaires are certified by a National Recognized Testing Lab (NRTL), either UL or CSA.

ORDERING INFORMATION

EXAMPLE: RLF6LEDG4-6LFLED5G4 30K WH WT

RLF6LEDG4			-	6LFLED5G4	30K		WH	WT	-	
-----------	--	--	---	-----------	-----	--	----	----	---	--

HOUSING	VOLTAGE	HSG. OPTIONS	TRIM	LED COLOR TEMP	REFLECTOR FINISH	REFLECTOR COLORS	REFLECTOR OPTIONS	ACCESSORIES
RLF6LEDG4 6" High Efficacy LED Housing	Blank 120-277V	Blank Standard 0-10V dimming SD¹ Small Diameter WIH wiHUBB® Enabled	6LFLED5G4 1100 lumen module 6LFLED6G4 1500 lumen module 6LFLED7G4 2000 lumen module	30K 3000 Kelvin, 80 CRI 35K 3500 Kelvin, 80 CRI 40K 4000 Kelvin, 80 CRI	Blank Alzak Semi-Diffuse	Blank Clear Alzak CG Champagne Gold Alzak BL Black Alzak WE Wheat Alzak LW Light Wheat Alzak PW Pewter Alzak WH² White Paint	WT White Trim WF Wide Flange	B24 Two 24" bar hangers (T-bar ceilings) B6 Two Bar hangers for ceiling joist LFSC6 6" reflector screw cover LiteGear See spec sheet for availability RWD6 Retrofit wide housing kit

STANDARD 0-10V DIMMING

LUTRON A-SERIES DIMMING TO 1%

Use with HDM/2DM dimming option:
Match Housing to Trim Output

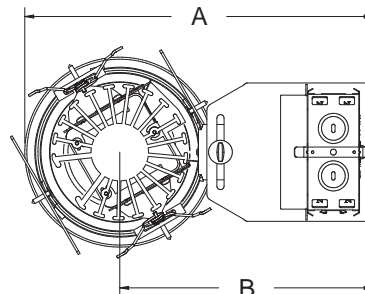
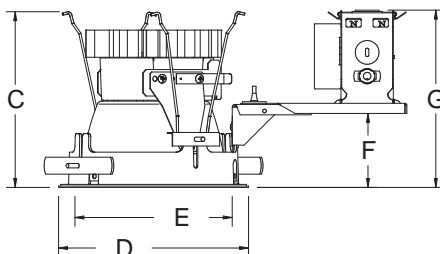
HOUSING	VOLTAGE	HSG. OPTIONS
RLF6LED5G4	120	HDM Lutron 3-wire Eco System to 1%
RLF6LED6G4	277	2DM Lutron 2-wire Leading Edge to 1% (120V only)
RLF6LED7G4		SD¹ Small Diameter WIH wiHUBB® Enabled

NOTES

- ¹ See housing capability guide on spec sheet
- ² Requires WT option also

	"A"*	"B"*	"C"*	"D"*	"E"*	"F"*	"G"*
RLF6LED 6LFLED5G4 RLF6LED 6LFLED6G4 RLF6LED 6LFLED7G4	12-3/4" - 15"	8-7/8" - 10-3/4"	6-3/8"	7"	5-3/4"	2-1/2" - 3-3/4"	6-1/4" - 7-1/2"

*Dimensions shown are for range of adjustability.



RLF6LED8G4

6" LED Downlights

Remote phosphor LED system in 3000K, 3500K, 4000K

FEATURES

- Light Engine utilizes Philips Fortimo remote phosphor technology for controlled color consistency fixture to fixture
- Universal design is compatible with most commercial or architectural 6" Recessed Downlights
- Easy installation from below the ceiling. Perfect for retrofitting into drywall ceiling applications
- No bar hangers required
- Minimum 50,000 hour at 70% lumen maintenance system life, over 70 lumens/watt delivered
- Non-IC rated. Suitable for wet locations and through wiring
- Photometrics tested per IESNA-LM-79-2008 standards
- Luminaires are certified by a National Recognized Testing Lab (NRTL), either UL or CSA.



RLF6LED8G4

RETROFIT

ORDERING INFORMATION

EXAMPLE: RLF6LED8G4-6LFLED8G4 30K WH WT

RLF6LED8G4				- 6LFLED8G4		30K				WH		WT		-			
HOUSING		VOLTAGE		HSG. OPTIONS		TRIM		LED COLOR TEMP		REFLECTOR FINISH		REFLECTOR COLORS		REFLECTOR OPTIONS		ACCESSORIES	
RLF6LED8G4	6" High Efficacy LED Housing	Blank	120-277V	Blank Standard 0-10V dimming	6LFLED8G4 3000 lumen module	30K 3000 Kelvin, 80 CRI	Blank Alzak Semi-Diffuse	Blank Clear Alzak	WT White Trim	B24 Two 24" bar hangers (T-bar ceilings)							
		SD¹ Small Diameter		SD¹ Small Diameter		35K 3500 Kelvin, 80 CRI		CG Champagne Gold Alzak	WF Wide Flange	B6 Two Bar hangers for ceiling joist							
		WIH wiHUBB® Enabled		WIH wiHUBB® Enabled		40K 4000 Kelvin, 80 CRI		BL Black Alzak		LFSC6 6" reflector screw cover							
		HDM Lutron 3-wire/ Eco System to 1%		HDM Lutron 3-wire/ Eco System to 1%				WE Wheat Alzak		LiteGear See spec sheet for availability							
		2DM Lutron 2-wire Leading Edge to 1% (120V only)		2DM Lutron 2-wire Leading Edge to 1% (120V only)				LW Light Wheat Alzak		RWD6 Retrofit wide housing kit							
								PW Pewter Alzak									
								WH² White Paint									

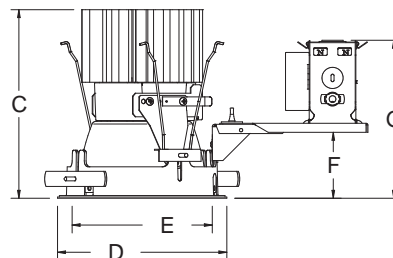
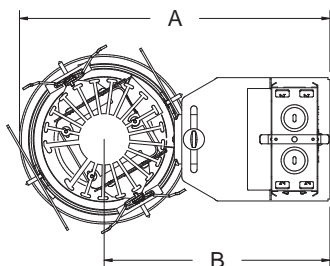
NOTES

¹ See housing capability guide

² Requires WT option also

	"A"*	"B"*	"C"*	"D"*	"E"*	"F"*	"G"*
RLF6LEDG4 6LFLED8G4	12-3/4" - 15"	8-7/8" - 10-3/4"	7-3/4"	7"	5-3/4"	2-1/2" - 3-3/4"	6-1/4" - 7-1/2"

*Dimensions shown are for range of adjustability.



RLF8LEDG4

8" LED Open Downlights

Remote phosphor LED system in 3000K, 3500K, 4000K

RETROFIT



RLF8LEDG4



FEATURES

- Light Engine utilizes Philips Fortimo remote phosphor technology for controlled color consistency fixture to fixture
- Universal design is compatible with most commercial or architectural 8" Recessed Downlights
- Easy installation from below the ceiling. Perfect for retrofitting into drywall ceiling applications
- No bar hangers required
- Minimum 50,000 hour at 70% lumen maintenance system life, over 70 lumens/watt delivered
- ENERGY STAR qualified
- Non-IC rated. Suitable for wet locations and through wiring
- Photometrics tested per IESNA-LM-79-2008 standards
- Luminaires are certified by a National Recognized Testing Lab (NRTL), either UL or CSA.

ORDERING INFORMATION

EXAMPLE: RLF8LEDG4-8LFLED5G430KWHWT

RLF8LEDG4			-	8LFLED5G4	30K		WH	WT	-	
-----------	--	--	---	-----------	-----	--	----	----	---	--

HOUSING	VOLTAGE	HSG. OPTIONS	TRIM	LED COLOR TEMP	REFLECTOR FINISH	REFLECTOR COLORS	REFLECTOR OPTIONS	ACCESSORIES
RLF8LEDG4 8" High Efficacy LED Housing	Blank 120-277V	Blank Standard 0-10V dimming SD¹ Small Diameter WIH wiHUBB® Enabled	8LFLED5G4 1100 lumen module 8LFLED6G4 1500 lumen module 8LFLED7G4 2000 lumen module	30K 3000 Kelvin, 80 CRI 35K 3500 Kelvin, 80 CRI 40K 4000 Kelvin, 80 CRI	Blank Alzak Semi-Diffuse	Blank Clear Alzak CG Champagne Gold Alzak BL Black Alzak WE Wheat Alzak LW Light Wheat Alzak PW Pewter Alzak WH² White Paint	WT White Trim WF Wide Flange	B24 Two 24" bar hangers (T-bar ceilings) B6 Two bar hangers for ceiling joist LFSC8 8" Reflector screw cover LiteGear See spec sheet for availability RWD8 Retrofit wide housing kit

Use with HDM/2DM dimming option: Match Housing to Trim Output

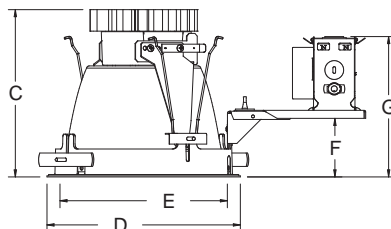
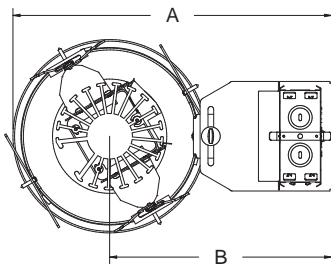
HOUSING	VOLTAGE	OPTIONS
RLF8LED5G4	120 120V	HDM Lutron 3-wire Eco System to 1%
RLF8LED6G4	277 277V	
RLF8LED7G4		2DM Lutron 2-wire Leading Edge to 1% (120V only) SD¹ Small Diameter WIH wiHUBB® Enabled

NOTES

- ¹ See housing capability guide for hole diameter compatibility.
- ² Requires WT option

	"A"*	"B"*	"C"*	"D"*	"E"*	"F"*	"G"*
RLF8LEDG4 8LFLED5G4 RLF8LEDG4 8LFLED6G4 RLF8LEDG4 8LFLED7G4	13-3/4" - 16"	9-7/8" - 11-3/4"	7-3/4"	9"	7-3/4"	2-1/2" - 3-3/4"	6-1/4" - 7-1/2"

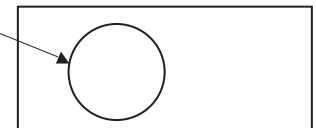
*Dimensions shown are for range of adjustability.



HOUSING COMPATIBILITY GUIDE

ORDERING GUIDELINES	8 INCH	
	MIN	MAX
REQUIRES SD HOUSING OPTION	7-15/16	8-1/8
ALL STANDARD HOUSINGS	8-1/8	8-3/4
REQUIRES RWD KIT ACCESSORY & WF REFLECTOR OPTION	8-3/4	9-1/8

Dimensions shown are for the diameter of the frame flange at it's narrowest point



RLF8LED8G4

8" LED Open Downlights

Remote phosphor LED system in 3000K, 3500K, 4000K

FEATURES

- Light Engine utilizes Philips Fortimo remote phosphor technology for controlled color consistency fixture to fixture
- Universal design is compatible with most commercial or architectural 8" Recessed Downlights
- Easy installation from below the ceiling. Perfect for retrofitting into drywall ceiling applications
- No bar hangers required
- Minimum 50,000 hour at 70% lumen maintenance system life, over 70 lumens/watt delivered
- Non-IC rated. Suitable for wet locations and through wiring
- Photometrics tested per IESNA-LM-79-2008 standards
- Luminaires are certified by a National Recognized Testing Lab (NRTL), either UL or CSA.



RLF8LED8G4

RETROFIT

ORDERING INFORMATION

EXAMPLE: RLF8LEDG4-8LFLED8G430KWHWT

RLF8LED8G4						- 8LFLED8G4		30K				WH		WT		-			
HOUSING		VOLTAGE		HSG. OPTIONS		TRIM		LED COLOR TEMP		REFLECTOR FINISH		REFLECTOR COLORS		REFLECTOR OPTIONS		ACCESSORIES			
RLF8LED8G4	8" High Efficacy LED Housing	120	120V	Blank	Standard 0-10V dimming	8LFLED8G4	3000 lumen module	30K	3000 Kelvin, 80 CRI	Blank	Alzak Semi-Diffuse	Blank	Clear Alzak	WT	White Trim	B24	Two 24" bar hangers (T-bar ceilings)		
		277	277V	SD ¹	Small Diameter			35K	3500 Kelvin, 80 CRI			CG	Champagne Gold Alzak	WF	Wide Flange	B6	Two bar hangers for ceiling joist		
				WIH	wiHUBB® Enabled			40K	4000 Kelvin, 80 CRI			BL	Black Alzak			LFSC8	8" Reflector screw cover		
				HDM	Lutron 3-wire Eco System to 1%							WE	Wheat Alzak			LiteGear	See spec sheet for availability		
				2DM	Lutron 2-wire Leading Edge to 1% (120V only)							LW	Light Wheat Alzak			RWD8	Retrofit wide housing kit		
												PW	Pewter Alzak						
												WH ²	White Paint						

NOTES

¹ See housing capability guide for hole diameter compatibility.

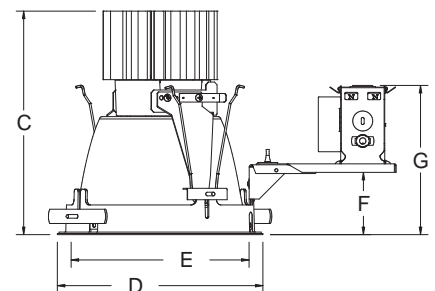
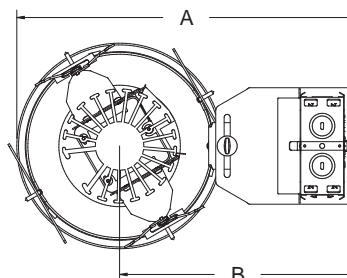
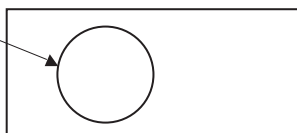
² Requires WT option

	"A"*	"B"*	"C"*	"D"*	"E"*	"F"*	"G"*
RLF8LEDG4 8LFLED8G4	13-3/4" - 16"	9-7/8" - 11-3/4"	9-3/4"	9"	7-3/4"	2-1/2" - 3-3/4"	6-1/4" - 7-1/2"

*Dimensions shown are for range of adjustability.

HOUSING COMPATIBILITY GUIDE		
ORDERING GUIDELINES	8 INCH	
	MIN	MAX
REQUIRES SD HOUSING OPTION	7-15/16	8-1/8
ALL STANDARD HOUSINGS	8-1/8	8-3/4
REQUIRES RWD KIT ACCESSORY & WF REFLECTOR OPTION	8-3/4	9-1/8

Dimensions shown are for the diameter of the frame flange at it's narrowest point

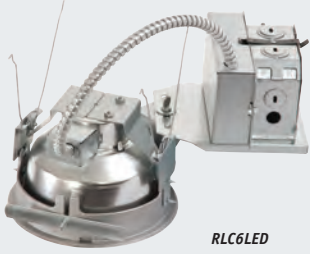


RLC6LED

6" LED Retrofit Downlights

LED system in 2700K, 3000K, 3500K, 4000K

RETROFIT



RLC6LED

FEATURES

- Light Engine utilizes Nichia LEDs for controlled color consistency fixture to fixture
- 1000-1600 Lumens delivered
- Glare free optical control
- Universal design is compatible with most commercial or architectural 6" Recessed Downlights
- Easy installation from below the ceiling. Perfect for retrofitting into drywall ceiling applications
- No bar hangers required
- ENERGY STAR Qualified on standard downlight
- Minimum 50,000 hour at 70% lumen maintenance system life, over 50 lumens/watt delivered
- Non-IC rated. Suitable for wet locations (WW are damp location) and through branch wiring
- Photometrics tested per IESNA-LM-79-2008 standards
- Luminaires are certified by a National Recognized Testing Lab (NRTL), either UL or CSA.

ORDERING INFORMATION

EXAMPLE: RLC6LED120-6LCLED735K8 WH WT



HOUSING

RLC6LED 6" LED Housing

VOLTAGE

120 120V
277 120V

TRIM

6LCLED 6" Open Reflector/ Light Engine Assembly,

LED COLOR TEMP

27K 2700 Kelvin
30K 3000 Kelvin
35K 3500 Kelvin
40K 4000 Kelvin

CRI

8 80+ CRI

REFLECTOR COLORS

WH¹ White Paint

REFLECTOR FINISH

Blank Alzak Semi-Diffuse

ACCESSORIES

RWD6² Retrofit Wide Diameter Housing Kit (6")
LiteGear See spec sheet for availability

HOUSING OPTION

Blank No Dimming
DM 0-10V dimming to 10%
SD Small Diameter

OUTPUT

5 Nominal 1000 lumens delivered
6 Nominal 1400 lumens delivered
7 Nominal 1600 lumens delivered

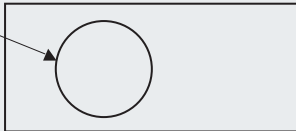
REFLECTOR OPTIONS

WT White Trim
WF Wide Flange
WW⁴ Wall Wash

HOUSING COMPATIBILITY GUIDE

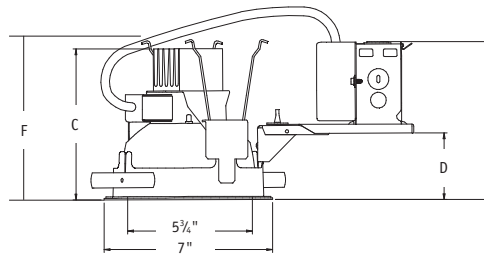
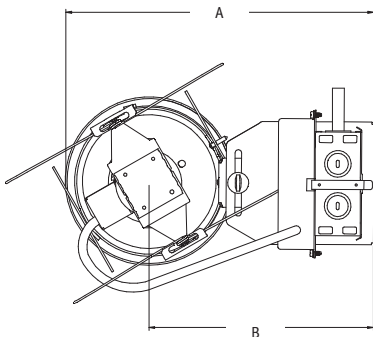
ORDERING GUIDELINES	6 INCH	
	MIN	MAX
REQUIRES SD HOUSING OPTION	5-15/16	6-1/8
ALL STANDARD HOUSINGS	6-1/8	6-1/2
REQUIRES RWD KIT ACCESSORY & WF REFLECTOR OPTION	6-1/2	6-7/8

Dimensions shown are for the diameter of the frame flange at it's narrowest point



NOTES

- ¹ Requires WT option
- ² See housing compatibility guide for hole diameter compatibility
- ³ See www.dual-lite.com for LiteGear Compatibility
- ⁴ Damp location only



	A	B	C	D	E	F
RLC6LED5/6	12-3/4"-15"	8-7/8"-10-3/4"	4-3/4"	2-1/2"-3-3/4"	6-1/4"-7-1/2"	5-3/4"
RLC6LED7	12-3/4"-15"	8-7/8"-10-3/4"	6-1/4"	2-1/2"-3-3/4"	6-1/4"-7-1/2"	5-3/4"

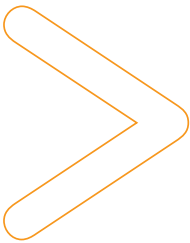
CYLINDERS, STEPLIGHTS, & TRACK

Prescolite rounds out its comprehensive lighting offering with LED, cylinders, LED steplights and track lighting solutions in a variety of sources.



Prescolite's LED cylinders provide an innovative way to achieve illumination patterns on vertical surfaces and paths of regress. Available in wall, pendant, and surface mount with housings in a variety of finishes.

Utilizes Nichia LEDs. Color consistency 3 SCDM



DAMP LOCATION LISTED

LIGHT ENGINE WITH INTEGRAL HEAT SINK PROVIDES EXCELLENT THERMAL MANAGEMENT AND A MINIMUM OF 50,000 HOURS AT 70% LUMEN MAINTENANCE

UP TO 75 LUMENS/PER WATT

MC10LED

10" High Lumen LED Downlight
120V-277V High Output

CYLINDERS



MC10LED

FEATURES

- Light Engine with integral heat sink provides excellent thermal management and a minimum of 50,000 hours at 70% lumen maintenance
- Utilizes Nichia LEDs. Color consistency 3 SCDM
- Up to 30°C (86°F) Ambient Conditions
- 4 Beam Spreads- 25°, 35°, 45°, 55°
- Up to 75 lumens/per watt
- Photometrics tested per IESNA-LM-79-2008 standards.
- Luminaires are certified by a National Recognized Testing Lab (NRTL), either UL or CSA
- Suitable for interior, damp locations.

ORDERING INFORMATION

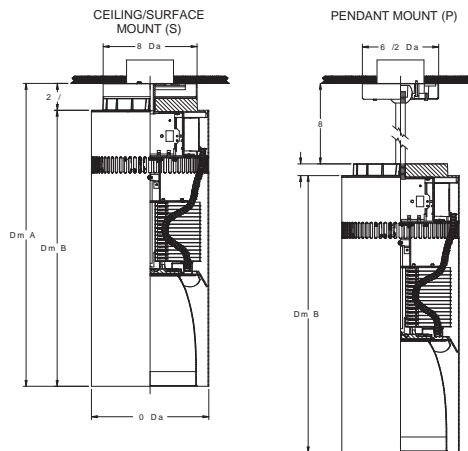
EXAMPLE: MC10LEDP12L35K8WFL45CL26BL

MC10LED	P	12L	35K	8			WFL45			CL	26	BL	
HOUSING		LED COLOR TEMP		CRI		OPTIONS		BEAM ANGLE		REFLECTOR COLORS		LENGTH	
MC10LED 10" High Output LED Cylinder		27K 2700 Kelvin 30K 3000 Kelvin 35K 3500 Kelvin 40K 4000 Kelvin 50K 5000 Kelvin		8 80+ CRI		Blank Standard 0-10V dimming to 10% HDM Lutron 3 Wire/ EcoSystem to 1% 2DM Lutron 2 Wire Leading Edge Dimming to 1% DM1 Osram dimming to 1% 0-10V WIH WiHUBB® enabled		MD25 ¹ Nominal 25 Degree Cutoff FL35 Nominal 35 Degree Cutoff WFL45 Nominal 45 Degree Cutoff XFL55 Nominal 55 Degree Cutoff		Blank Clear Alzak CG Champagne Gold Alzak BL Black Alzak WE Wheat Alzak LW Light Wheat Alzak PW Pewter Alzak BC Painted Black Cone WC Painted White Cone		Blank No Lens CL Clear Lens SL Solite Lens	
MOUNTING		OUTPUT		VOLTAGE				REFLECTOR FINISH				COLOR	
P Pendant S Surface CCM Cord & Cable Mount		3L 3000 Delivered Lumens 6L 6000 Delivered Lumens 9L 9000 Delivered Lumens 12L 12000 Delivered Lumens		Blank 120V-277V				Blank Specular SS Semi-specular				BA ² Brushed Aluminum BZ Bronze BL Matte Black WH Matte White Z Zet	

NOTES

¹ MD25 requires 30" housing

² Standard with black accents



	26" HOUSING	30" HOUSING
DIM "A"	25-3/4"	29-1/8"
DIM "B"	23-1/2"	26-7/8"

LED CYLINDERS

4" & 6" LED Cylinders

LED Array with (6) or (10) high-brightness LEDs

4" FEATURES

- Photometrics tested per IESNA-LM-79-2008 standards
- Extruded aluminum housing available in smooth or finned (wall mount only)
- Suitable for wet locations, fully gasketed
- Luminaires are certified by a National Recognized Testing Lab (NRTL), either UL or CSA.

6" FEATURES

- Unique light engine design to produce uniform distribution by using Prescolite's Patented (U.S. Patent No. 6,254, 256) American Matte™ finish
- Provides superior brightness control
- Suitable for wet locations
- Luminaires are certified by a National Recognized Testing Lab (NRTL), either UL or CSA.



CYLINDERS

LD4 ORDERING INFORMATION EXAMPLE: LD4SUD120V6L40KFL30Z								
LD4	S	UD	120V	6L	40K	FL30		Z
CYLINDER	CYLINDER STYLE	MOUNTING	VOLTAGE	OUTPUT	COLOR TEMPERATURE	DOWN DISTRIBUTION	UP DISTRIBUTION	CYLINDER FINISH
LD4 4" LED cylinder	S Smooth F¹ Finned	D Down UD⁴ Up/Down P² Pendant S Surface	120V 277V³	3L 300 Delivered Lumens 6L 600 Delivered Lumens	30K 35K 40K 50K	SP20 Nominal 20° cutoff spot down FL30 Nominal 30° cutoff flood down	Blank Downlight only USP Nominal 20° cutoff spot up UFL Nominal 30° cutoff flood up	BL Black BZ Bronze WH White Z Zet (Metallic silver) Special Finishes See pages 296-297

NOTES

- ¹ Not available with pendant or surface mount
- ² Contact factory for custom stem lengths
- ³ Only available in 6L and 3L Up/Down
- ⁴ Up/Down can only have one output 3L or 6L, not both. Nominal lumen value is for each direction.

LD6LED ORDERING INFORMATION EXAMPLE: LD6LED3PW35K8SSBLZ									
LD6LED	3	P	W	35K	8		SS	BL	Z
HOUSING	LED GENERATION	LED COLOR TEMP		CRI	VOLTAGE	REFLECTOR FINISH	REFLECTOR COLOR	CYLINDER FINISH	
LD6LED 6" LED cylinder	3 14W, high efficacy LED 4 28W, high output LED	27K 2700 Kelvin 35K 3500 Kelvin 40K 4000 Kelvin 50K 5000 Kelvin		8 Nominal 80+ CRI	Blank 120V 277V 120/277 Volt	Blank Specular SS Semi-Specular	Blank Clear Alzak CG Champagne Gold Alzak WE Wheat Alzak LW Light Wheat PW Pewter Alzak BL Black Alzak WH White Paint	BL Black WH White Z Zet (Metallic silver) BA Brushed Aluminum BZ Bronze Special Finishes See pages 296-297	
MOUNTING/DISTRIBUTION		LED COLOR		BEAM ANGLE					
D Wall mount-Down P Pendant S Surface		W White		Blank Vacuum metalized reflector with 45° cutoff SP18 Lensed optic with 18° spot distribution and Zet painted faceplate MD25 Lensed optic with 25° medium distribution and Zet painted faceplate FL35 Lensed optic with 35° wide distribution and Zet painted faceplate					



Pendant Mount
4-1/4" Dia. x 6-1/4", 20-1/4" O.A.
6" Dia. x 12", 27-1/2" O.A.



Down Wall Mount
4-1/4" Dia. x 6-1/4" H x 7" D
6" Dia. x 12" H x 8-7/8" D



Up/Down Wall Mount
4-1/4" Dia. x 12" H x 7" D



Ceiling Mount
4-1/4" Dia. x 7-1/2" H
6" Dia. x 13" H



LBC6

6" LED Cylinder
120V

FEATURES

- Seamless spun aluminum housings
- Durable powder coat finish
- Ceiling, pendant, and cord mount models are damp location listed
- Wall mount models are wet location listed
- Facilitates Title 24 compliance when used with LB6LEDA trim (ships separately)
- Luminaires are certified by a National Recognized Testing Lab (NRTL), either UL or CSA.

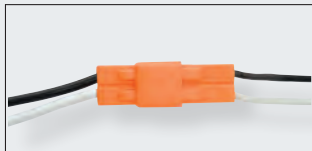
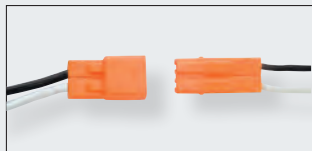


CYLINDERS

ORDERING INFORMATION

EXAMPLE: LBC6WWH

LBC6	W	WH	-	LB6LEDA	30K		WH
HOUSING	MOUNTING	FINISH OPTIONS		TRIM	LED COLOR TEMP	CRI	TRIM COLOR
LBC6 6" cylinder housing	W Wall Mount, Down P ^{1,2} Pendant Mount S Surface Mount CM ³ Cord Mount	WH White BL Black Z Zet BA Brushed Aluminum BZ Bronze		LB6LEDA8L 6" 800 Lumen LED module with dimming to 15% 120V LB6LEDA10L 6" 1000 Lumen LED module with dimming to 15% 120V	30K 3000 Kelvin 35K ⁴ 3500 Kelvin	Blank 80+ CRI	WH White BL ⁴ Black Z ⁴ Zet BZ ⁴ Bronze

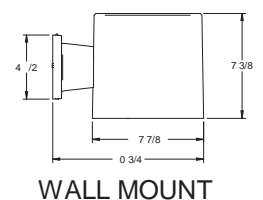
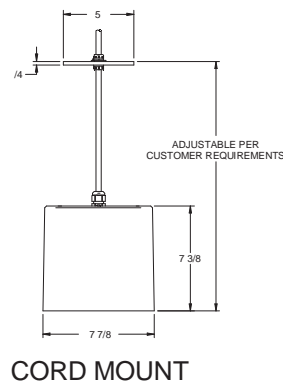
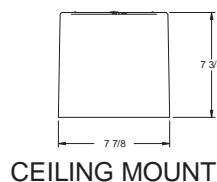
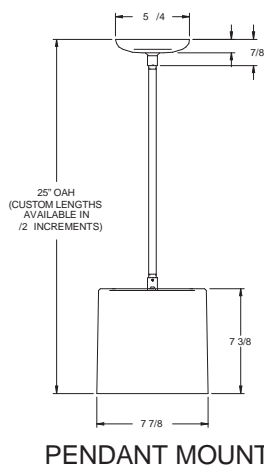


QuickLink: California Title 24 Compliant Connectors

QUICKLINK trims comply with the requirements of California Title 24 by providing a plug-in power connector in place of a screw shell socket. Ideal for residential and light commercial new construction applications where the use of screw shell sockets is restricted. The LB4LEDA trim is compatible with both an Edison Base and QL base housing.

NOTES

- ¹ Comes standard with 1/2" x 15" stem.
- ² Custom stem lengths available in 1/2" increments. Contact technical support.
- ³ 8' cord standard. Other lengths available black or white cord only.
- ⁴ Not available for LB6LEDA8L



SLLED

LED Steplights

STEPLIGHTS



FEATURES

- 50,000 hour minimum anticipated lamp life
- Die Cast aluminum. Solite lens for optimal light diffusion. Silicone gasket on trim and lens
- Four color options: Black, White, Zet (Metallic Silver), and Bronze
- Approved for exterior and interior installations
- IC rated
- Photometrics tested per IESNA-LM-79-2008 standards
- SLLED2 is IP45 rated
- SLLED3 is IP56 rated
- Suitable for wet locations and concrete pour
- Luminaires are certified by a National Recognized Testing Lab (NRTL), either UL or CSA.

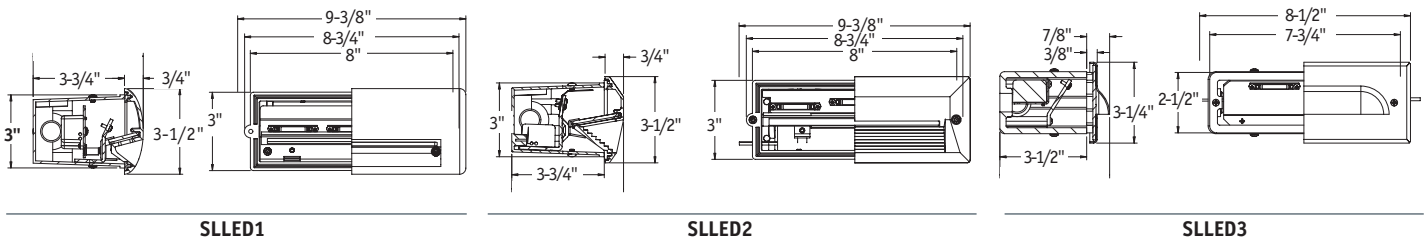
ORDERING INFORMATION

SLLED135KBL

SLLED	35K	BL		
HOUSING	LED COLOR TEMP	HOUSING FINISH	HOUSING OPTION	HOUSING ACCESSORIES
SLLED1 High output 13W LED step light SLLED2 Recessed 13W LED step light SLLED3 Residential 9W LED step light	35K 3500 Kelvin 50K 5000 Kelvin	WH White BL Black Z Zet (Metallic Silver) BZ Bronze	Blank 120V 277 277V	SLMB Dry wall bar hanger installation kit SLD12CMB Concrete mounting box SLLED1 and SLLED2 SLD3CMB Concrete mounting box SLLED3 LiteGear See spec sheet for availability

NOTES

* See spec sheet or www.prescolite.com for LiteGear Compatibility Matrix



93 LED

Recessed High-Output Step Light LED

FEATURES

- Four finish options: Zet (Metallic Silver), black, bronze, or white
- Diecast aluminum housing with sealed, tempered glass
- Suitable for concrete pour
- Suitable for wet locations and through wiring
- Luminaires are certified by a National Recognized Testing Lab (NRTL), either UL or CSA.



93047LED

STEPLIGHTS

ORDERING INFORMATION

93047LED30KC7 120V Z

93047LED

30K

7

Z

HOUSING

93047LED LED array Non-IC recessed step light, 120V-277V

93047LEDR LED Array Non-IC recessed retrofit step light, 120V-277V (includes all components except back box to retrofit existing HID or CFL LiteSteps)

LED COLOR TEMP

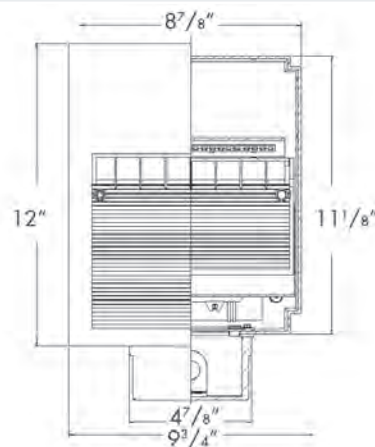
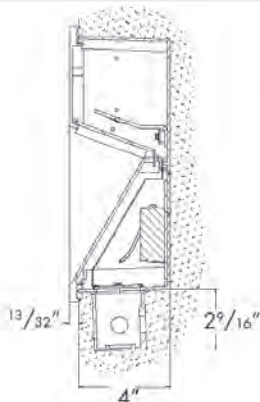
30K 3000K color
40K 4000K color
50K 5000K color

CRI

7 Nominal
 70+ CRI

FINISHES

BL Black
BZ Bronze
Z Zet (Metallic Silver)
WH White



AKT6LED

LED Track Head

Track, Bus or J-Box Mounted



AKT6LED3

FEATURES

- Diecast aluminum fixture.
- Rotates 360° horizontally and 180° vertically.
- Equipped with (10) 1-watt white LEDs with integral heat sink that will provide a minimum of 50,000+ hours at 70% average lumen maintenance.
- Photometrics tested to IESNA-LM-79-2008 standards
- Factory configurable optics allow for changes in beam spread appropriate for particular applications.
- Available for Prescolite and other standard track adapters
- Luminaires are certified by a National Recognized Testing Lab (NRTL), either UL or CSA.

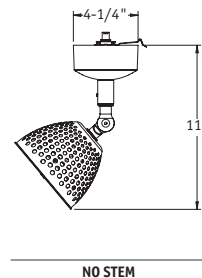
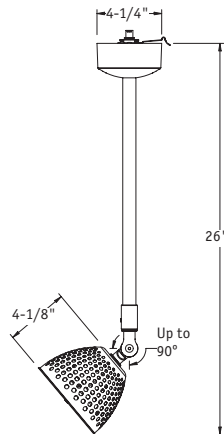
ORDERING INFORMATION

EXAMPLE: AKT6LED335K8SP1826JPSBL

AKT6LED3		35K		8		SP18		26		J		PS		BL	
FIXTURE		COLOR		CRI		BEAM SPREAD		OVERALL FIXTURE LENGTH		MOUNTING		SHADE		FINISH	
AKT6LED3	6" 14W Track mounted LED 120V-277V	27K	2700 Kelvin	8	Nominal 80+ CRI	SP18	Spot (18°)	Blank	No stem, nominal 11"	Blank	Prescolite ArchiTrak® Adapter, max. fixture length 58"	PS	Perforated Shade	BL	Black
		35K	3500 Kelvin			MD25	Medium (25°)	18	Nominal 18"	CT	Capri CT Series 120V, max. fixture length 58"	SS	Solid Shade	WH	White
		40K	4000 Kelvin			FL35	Flood (35°)	26	Nominal 26"	GE	Global Trak® ECO or Halo® L641 and L651 Series compatible adapter, 1- or 2-circuit, no stem allowed			Z	Zet (Metallic Silver)
		50K	5000 Kelvin					XX¹	Make to order length	GHT	Global Trak® HTEK 2-circuit, max. fixture length 22"				
										GX	Global Trac® PRO 3-circuit, max. fixture length 22"				
										GT	Global Trac® TEK 2-circuit, max. fixture length 22"				
										J	J-Box, 4X4 Octagonal				
										UN	Juno Trac-Master® Series compatible adapter 1- or 2-circuit, max. fixture length 28"				
										SI	Lighting Services, Inc. Surface 120V Series adapter 1- or 2-circuit, max. fixture length 58"				
										LR	Lightolier Lytespan® Series compatible adapter 1- or 2-circuit, max. fixture length 28"				
										B	Universal Starline™ Bus Mount (IP50-15-AF with fuse) 2 pole, max. fixture length 58"				

NOTES

¹ Please specify the length in inches for made to order fixture length. See mounting type for additional information



AKTSLED

LED Track Head Track or Bus Mount

FEATURES

- 14W High Efficacy (AKTSLED3) and 28W High Output (AKTSLED4) LED
- Spot, Medium, and Flood beam spread
- Diecast aluminum fixture
- Equipped with integral heat sink that will provide a minimum of 50,000 hours at 70% lumen maintenance
- Photometrically tested per IESNA-LM-79-2008 standards
- 5-Year Warranty
- Luminaires are certified by a National Recognized Testing Lab (NRTL), either UL or CSA.



TRACK

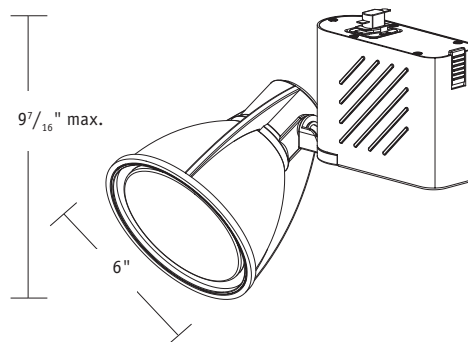
ORDERING INFORMATION

EXAMPLE: AKTSLED335K8SP18SSBL

AKTSLED3	35K	8	SP18		SS	BL
FIXTURE	COLOR	CRI	BEAM SPREAD	MOUNTING	SHADE	FINISH
AKTSLED3 6" 14W Track mounted LED AKTSLED4 6" 28W Track mounted LED	27K 2700 Kelvin 35K 3500 Kelvin 40K 4000 Kelvin 50K 5000 Kelvin	8 Nominal 80+ CRI	SP18 Spot (18°) MD25 Medium (25°) FL35 Flood (35°)	Blank ³ Prescolite Track CT Capri CT Series 120V Track 1- or 2-circuit	PS Perforated Shade SS ¹ Solid Shade	BL Black WH White Z Zet (Metallic Silver)

NOTES

¹ Contact Technical Support for other compatible track options.



System Components

Track Accessories for Architrak®

TRACK



FEATURES

- Heavy gauge extruded aluminum rails provide one or two circuit operation
- Track rails contain two 20A circuits rated for 120V
- Each circuit has dedicated neutrals for control isolation
- Supplied with one end cap and toggle bolts for sheetrock or plaster ceiling mounting
- Rails can be cut to a minimum of 8"
- Multiple wiring options (one circuit with two wires, two circuit with three wires, or two circuit with four wires)
- Three finish options: Zet (Metallic Silver), black, or white

ORDERING INFORMATION:

AKTCLS11 WH		AKTCLS11		WH			
RAILS		FEEDS & JOINERS		ACCESSORIES			
AKT2 2 ft. Rail AKT4 4 ft. Rail AKT6 6 ft. Rail AKT8 8 ft. Rail AKT12 12 ft. Rail		AKTEF Live-end Feed AKTIL Straight Mini-Joiner AKTSL Straight/ L Feed/Joiner AKTT T Feed/ Joiner AKTX X Feed/ Joiner AKTF Flex Joiner AKTCF Conduit End Feed AKTCC² Live-end Feed with cord and plug AKTFF Floating Feed AKTMP Mono-point Adapter AKTPA² Pendant Adapter/ Feed AKTSPA Sloped Ceiling Adapter Kit (stem not included)		MOUNTING ACCESSORIES AKTTBC¹ T-Bar Mounting Clips AKTWC⁶ Wireway Cover AKTPFCC Outlet Box Cover Plate AKTPFC Power Feed Cover AKTEC End Cap CURRENT LIMITERS AKTCLS1^{2,5} Current Limiter Device rated for 120W, or 1A AKTCLS3^{2,5} Current Limiter Device rated for 300W, or 2.5A AKTCLS6^{2,5} Current Limiter Device rated for 600W, or 5A AKTCLS9^{2,5} Current Limiter Device rated for 900W, or 7.5A		STEM KITS & WANDS STEM KITS³ AKTCSK⁴ 18" canopy mount stem kit AKTTSK⁴ 18" T-Bar mount stem kit WANDS AKTW12 12" extension wand AKTW24 24" extension wand AKTW36 36" extension wand AKTW48 48" extension wand	
FINISH		FINISH		FINISH			
BL Black WH White Z Zet(Metallic Silver)		BL Black WH White Z Zet(Metallic Silver)		BL Black WH White Z Zet(Metallic Silver)			
				FINISH			
				BL Black WH White Z Zet(Metallic Silver)			
				FINISH			
				BL Black WH White Z Zet(Metallic Silver)			
				FINISH			
				BL Black WH White Z Zet(Metallic Silver)			
				FINISH			
				BL Black WH White Z Zet(Metallic Silver)			
				FINISH			
				BL Black WH White Z Zet(Metallic Silver)			
				FINISH			
				BL Black WH White Z Zet(Metallic Silver)			
				FINISH			
				BL Black WH White Z Zet(Metallic Silver)			
				FINISH			
				BL Black WH White Z Zet(Metallic Silver)			
				FINISH			
				BL Black WH White Z Zet(Metallic Silver)			
				FINISH			
				BL Black WH White Z Zet(Metallic Silver)			
				FINISH			
				BL Black WH White Z Zet(Metallic Silver)			
				FINISH			
				BL Black WH White Z Zet(Metallic Silver)			
				FINISH			
				BL Black WH White Z Zet(Metallic Silver)			
				FINISH			
				BL Black WH White Z Zet(Metallic Silver)			
				FINISH			
				BL Black WH White Z Zet(Metallic Silver)			
				FINISH			
				BL Black WH White Z Zet(Metallic Silver)			
				FINISH			
				BL Black WH White Z Zet(Metallic Silver)			
				FINISH			
				BL Black WH White Z Zet(Metallic Silver)			
				FINISH			
				BL Black WH White Z Zet(Metallic Silver)			
				FINISH			
				BL Black WH White Z Zet(Metallic Silver)			
				FINISH			
				BL Black WH White Z Zet(Metallic Silver)			
				FINISH			
				BL Black WH White Z Zet(Metallic Silver)			
				FINISH			
				BL Black WH White Z Zet(Metallic Silver)			
				FINISH			
				BL Black WH White Z Zet(Metallic Silver)			
				FINISH			
				BL Black WH White Z Zet(Metallic Silver)			
				FINISH			
				BL Black WH White Z Zet(Metallic Silver)			
				FINISH			
				BL Black WH White Z Zet(Metallic Silver)			
				FINISH			
				BL Black WH White Z Zet(Metallic Silver)			
				FINISH			
				BL Black WH White Z Zet(Metallic Silver)			
				FINISH			
				BL Black WH White Z Zet(Metallic Silver)			
				FINISH			
				BL Black WH White Z Zet(Metallic Silver)			
				FINISH			
				BL Black WH White Z Zet(Metallic Silver)			
				FINISH			
				BL Black WH White Z Zet(Metallic Silver)			
				FINISH			
				BL Black WH White Z Zet(Metallic Silver)			
				FINISH			
				BL Black WH White Z Zet(Metallic Silver)			
				FINISH			
				BL Black WH White Z Zet(Metallic Silver)			
				FINISH			
				BL Black WH White Z Zet(Metallic Silver)			
				FINISH			
				BL Black WH White Z Zet(Metallic Silver)			
				FINISH			
				BL Black WH White Z Zet(Metallic Silver)			
				FINISH			
				BL Black WH White Z Zet(Metallic Silver)			
				FINISH			
				BL Black WH White Z Zet(Metallic Silver)			
				FINISH			
				BL Black WH White Z Zet(Metallic Silver)			
				FINISH			
				BL Black WH White Z Zet(Metallic Silver)			
				FINISH			
				BL Black WH White Z Zet(Metallic Silver)			
				FINISH			
				BL Black WH White Z Zet(Metallic Silver)			
				FINISH			
				BL Black WH White Z Zet(Metallic Silver)			
				FINISH			
				BL Black WH White Z Zet(Metallic Silver)			
				FINISH			
				BL Black WH White Z Zet(Metallic Silver)			
				FINISH			
				BL Black WH White Z Zet(Metallic Silver)			
				FINISH			
				BL Black WH White Z Zet(Metallic Silver)			
				FINISH			
				BL Black WH White Z Zet(Metallic Silver)			
				FINISH			
				BL Black WH White Z Zet(Metallic Silver)			
				FINISH			
				BL Black WH White Z Zet(Metallic Silver)			
				FINISH			
				BL Black WH White Z Zet(Metallic Silver)			
				FINISH			
				BL Black WH White Z Zet(Metallic Silver)			
				FINISH			
				BL Black WH White Z Zet(Metallic Silver)			
				FINISH			
				BL Black WH White Z Zet(Metallic Silver)			
				FINISH			
				BL Black WH White Z Zet(Metallic Silver)			
				FINISH			
				BL Black WH White Z Zet(Metallic Silver)			
				FINISH			
				BL Black WH White Z Zet(Metallic Silver)			
				FINISH			
				BL Black WH White Z Zet(Metallic Silver)			
				FINISH			
				BL Black WH White Z Zet(Metallic Silver)			
				FINISH			
				BL Black WH White Z Zet(Metallic Silver)			
				FINISH			
				BL Black WH White Z Zet(Metallic Silver)			
				FINISH			
				BL Black WH White Z Zet(Metallic Silver)			
				FINISH			
				BL Black WH White Z Zet(Metallic Silver)			
				FINISH			
				BL Black WH White Z Zet(Metallic Silver)			
				FINISH			
				BL Black WH White Z Zet(Metallic Silver)			
				FINISH			
				BL Black WH White Z Zet(Metallic Silver)			
				FINISH			
				BL Black WH White Z Zet(Metallic Silver)			
				FINISH			
				BL Black WH White Z Zet(Metallic Silver)			
				FINISH			
				BL Black WH White Z Zet(Metallic Silver)			
				FINISH			
				BL Black WH White Z Zet(Metallic Silver)			
				FINISH			
				BL Black WH White Z Zet(Metallic Silver)			
				FINISH			
				BL Black WH White Z Zet(Metallic Silver)			
				FINISH			
				BL Black WH White Z Zet(Metallic Silver)			
				FINISH			
				BL Black WH White Z Zet(Metallic Silver)			
				FINISH			
				BL Black WH White Z Zet(Metallic Silver)			
				FINISH			
				BL Black WH White Z Zet(Metallic Silver)			
				FINISH			
				BL Black WH White Z Zet(Metallic Silver)			
				FINISH			
				BL Black WH White Z Zet(Metallic Silver)			
				FINISH			
				BL Black WH White Z Zet(Metallic Silver)			
				FINISH			
				BL Black WH White Z Zet(Metallic Silver)			
				FINISH			
				BL Black WH White Z Zet(Metallic Silver)			
				FINISH			
				BL Black WH White Z Zet(Metallic Silver)			
				FINISH			
				BL Black WH White Z Zet(Metallic Silver)			
				FINISH			
				BL Black WH White Z Zet(Metallic Silver)			
				FINISH			
				BL Black WH White Z Zet(Metallic Silver)			
				FINISH			
				BL Black WH White Z Zet(Metallic Silver)			
				FINISH			
				BL Black WH White Z Zet(Metallic Silver)			
				FINISH			
				BL Black WH White Z Zet(Metallic Silver)			
				FINISH			
				BL Black WH White Z Zet(Metallic Silver)			
				FINISH			
				BL Black WH White Z Zet(Metallic Silver)			
				FINISH			
				BL Black WH White Z Zet(Metallic Silver)			
				FINISH			
				BL Black WH White Z Zet(Metallic Silver)			
				FINISH			
				BL Black WH White Z Zet(Metallic Silver)			
				FINISH			
				BL Black WH White Z Zet(Metallic Silver)			
				FINISH			
				BL Black WH White Z Zet(Metallic Silver)			
				FINISH			
				BL Black WH White Z Zet(Metallic Silver)			
				FINISH			
				BL Black WH White Z Zet(Metallic Silver)			
				FINISH			
				BL Black WH White Z Zet(Metallic Silver)			
				FINISH			
				BL Black WH White Z Zet(Metallic Silver)			
				FINISH			
				BL Black WH White Z Zet(Metallic Silver)			
				FINISH			

