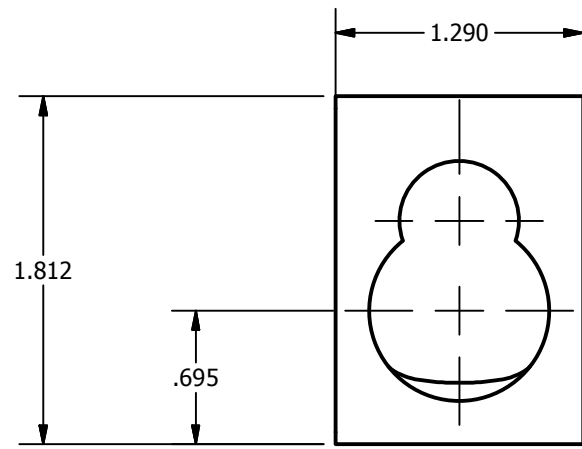
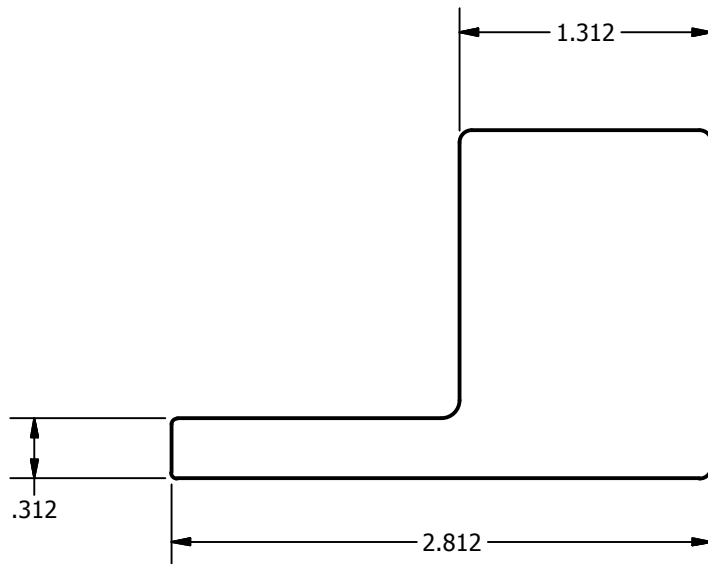
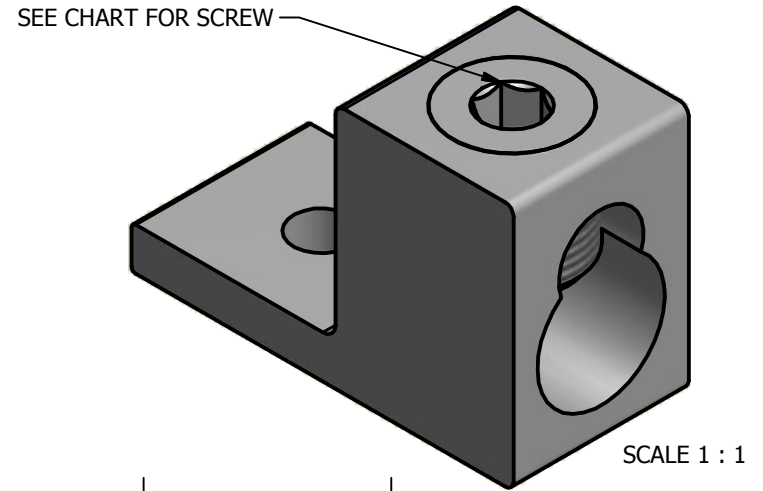
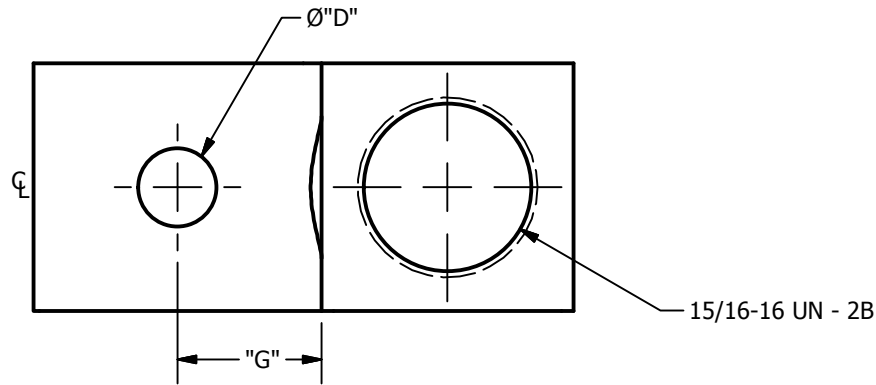


SCREW: SEE CHART	MATERIAL: ALUMINUM	REV: L	ILSCO connections matter	
CAT. NO.: TA-500-S	PLATING: EL-TIN	DRAWN BY: CLH	SCALE: 1:1	800-776-9775 www.ilsco.com
INFORMATION SHEET: SEE CHART	MARKING: SEE CHART	DATE: 9/20/2007	SIZE: A	DWG. NO. D3692
				SHEET: 1 OF 1



DEVIATION	"G"	"D"	MARKING	FORM	SCREW
-11	.885	.406	BKB, ADR6004, 600MCM-4, AL9CU \odot_1 \odot_2	FORM 96	E0945
-22	.750	.531	ILSCO, D3692, 600MCM-4, TWO 250MCM-1/0, AL9CU \odot_1 \odot_2	FORM 1	E0945
-23	.885	.406	ILSCO, D3692, TA500S, 600MCM-4, TWO 250MCM-1/0, AL9CU \odot_1 \odot_2	FORM 1	E0945
-24	.885	.562	ILSCO, D3692, TA500S, 600MCM-4, TWO 250MCM-1/0, AL9CU \odot_1 \odot_2	FORM 1	E0945
-25	.885	.406	ILSCO, D3692, TA500S, 600MCM-4, TWO 250MCM-1/0, AL9CU \odot_1 \odot_2	FORM 161	E1402