

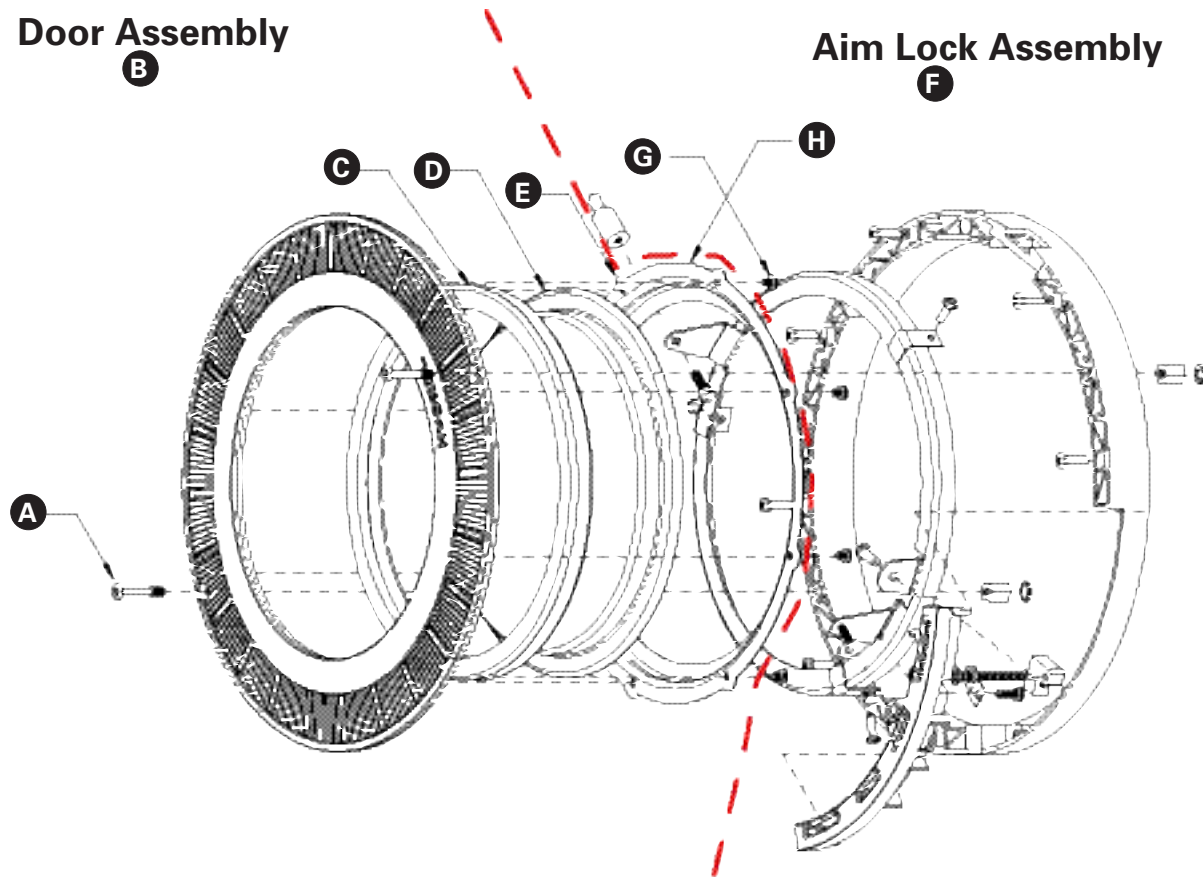
MFS97RD DOUBLE LENS FIXTURE

Door Assembly

B

Aim Lock Assembly

F



part number	description	number per fixture
A SCR6168	Captive Screws	2
B	Door Assembly (Parts A through E) (See next page for details.)	1
C LG80082	Upper Lens Gasket	1
D	Lens (See next page for details.)	1
E LR30427	Retaining Ring	1
F MFSAIMLK97	Aim Lock Assembly	1
G SCRSS10-24x4/RD	Screws - (8 needed per ring)	8
H SCRSS10TW-EXT	Star Washers	8

DOOR ASSEMBLIES

<u>part number</u>	<u>description</u>
DA97RD A _____ *	Round Aluminum
DA97RD B _____ *	Round Bronze
DA97RD SS _____ *	Round Stainless Steel
DA97SD A _____ *	Square Aluminum
DA97SD B _____ *	Square Bronze
DA97SD SS _____ *	Square Stainless Steel

*Available lenses:	FLC	—	Flat Lens Clear
	FLC5	—	Flat Lens with 5° Axial Spread
	FLC10	—	Flat Lens with a 10° tilt
	FLC20	—	Flat Lens with a 20° tilt
	FLCAS	—	Flat Lens with Anti-Slip
	FLC5AS	—	Flat Lens with 5° Axial Spread, Anti-Slip
	CLC	—	Convex Lens Clear
	FLC10SR	—	Flat Lens with a 10° tilt, Slip Resistant
	FLC20SR	—	Flat Lens with a 20° tilt, Slip Resistant

LENS ONLY

<u>part number</u>	<u>description</u>
L80077	Flat Lens Clear (FLC)
L80078	Flat Lens with a 5° Axial Spread (FLC5)
L80079	Flat Lens with a 10° tilt (FLC10)
L80081	Flat Lens with a 20° tilt (FLC20)
L80077AS	Flat Lens Clear, Anti-Slip (FLCAS)
L80078AS	Flat Lens Clear with a 5° Axial Spread, Anti-Slip (FLC5AS)
L80104	Convex Lens Clear (CLC)
L80079SR	Flat Lens with a 10° tilt, Slip Resistant (FLC10SR)
L80081SR	Flat Lens with a 20° tilt, Slip Resistant (FLC20SR)