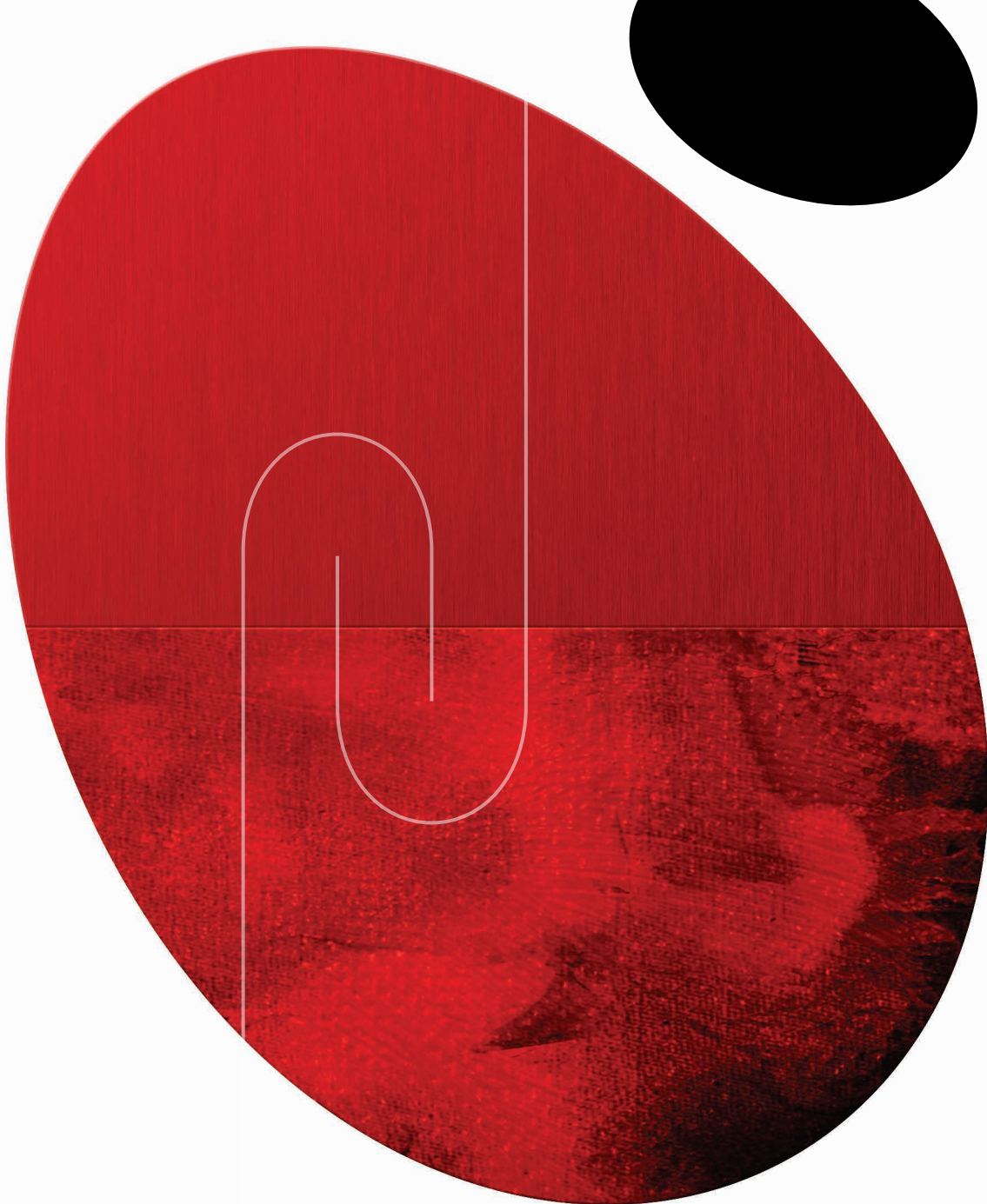
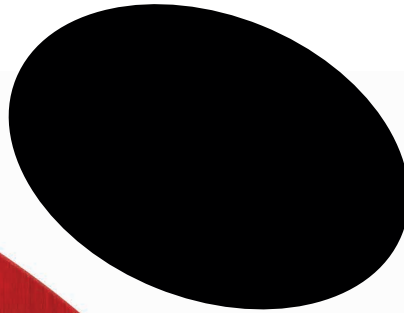
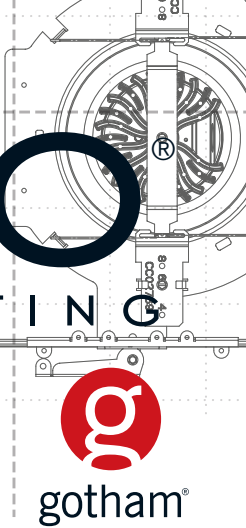


EVO

SOLID-STATE LIGHTING

SCIENCE POWERS DESIGN



FUTURE READY

□ What does the future look like? That's a question we'll leave to the imagination of a science-fiction writer. What we do know is that LED technology is advancing and luminaires must be able to evolve.

Evo® is a family platform specifically designed to allow for the integration of advances in solid-state technology. Leveraging a modular design allows Gotham to reconfigure the mixing chamber, reflector, lenses, drivers and LEDs independently of one another, creating enormous flexibility to upgrade efficiency and efficacy.

EVO luminaires that arrive on-site will deliver precisely the performance characteristics specified (like lumen output, distribution and color temperature) using the most up-to-date, energy efficient configurations available. Here's how we make it possible:

The Configurable Light Engine

A modular design allows Gotham to reconfigure the mixing chamber, reflector, lenses and LEDs independently of one another, creating enormous flexibility for improvements to Evo luminaires as technology advances. This ensures consistency in both quality and quantity of light, while still giving us wide latitude to continuously upgrade efficiency and efficacy. The benefits, from top to bottom:



1

REMOVING HEAT / Evo's thermal design ensures that LED temperatures remain below the thermal limit. Enhanced color stability is a direct result, along with better fixture-to-fixture consistency and longer LED life.

2

PROVIDING LIGHT / LED boards in all Evo luminaires are configurable and replaceable, enabling us to upgrade to higher-efficiency systems as technology advances. The LEDs are binned to a 2.5-step MacAdam's ellipse to achieve consistent color from luminaire to luminaire.

3

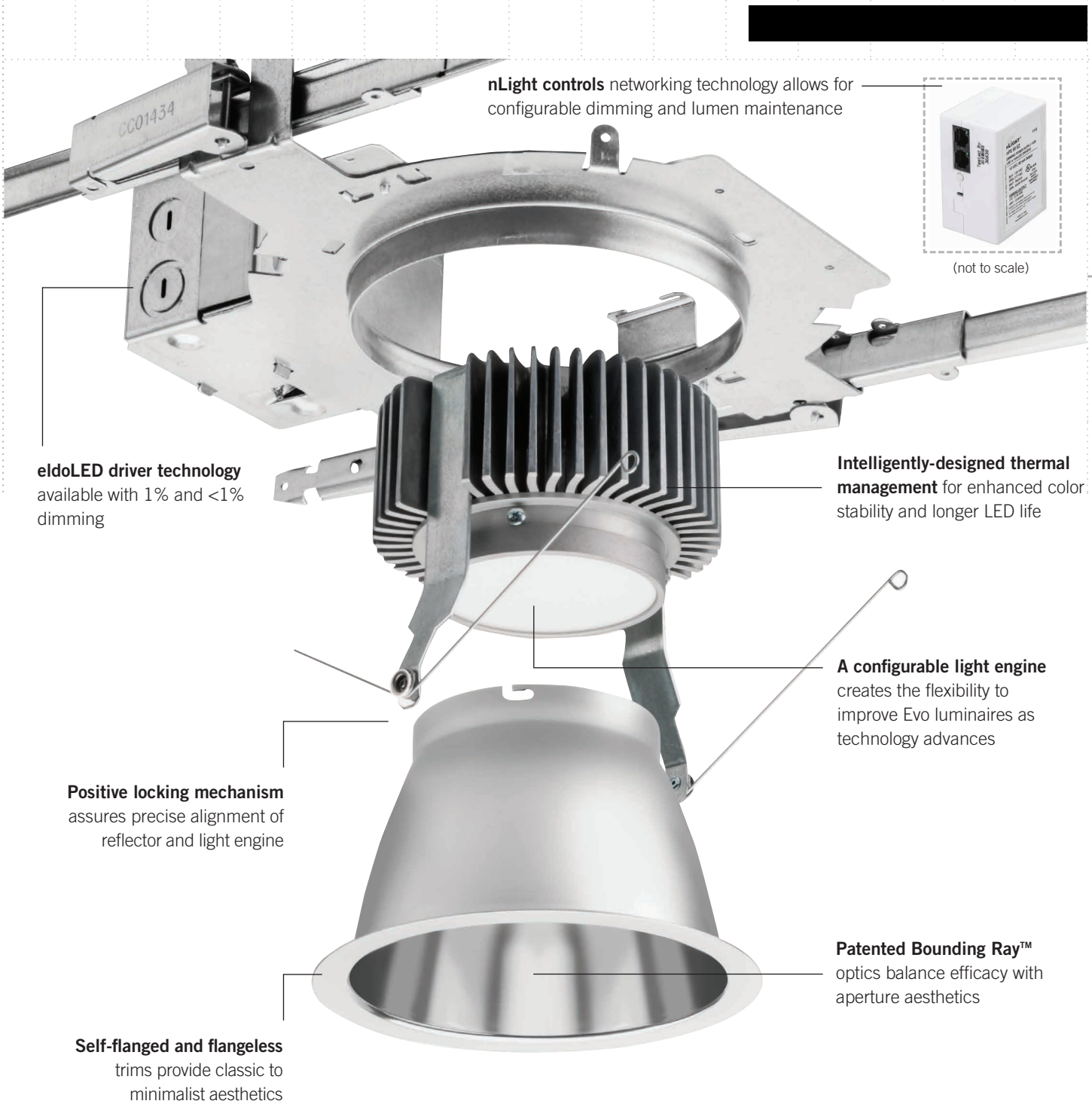
BLENDING LIGHT / Evo mixing chamber optics are built using 98.5% reflective material, and shaped to eliminate color separation and pixilation to produce smooth, pleasing light.

4

FOCUSING LIGHT / A lens composed of 92% transmissive holographic film forms the heart of Evo's modular design. This is the final step in a process to collimate light, and create a luminaire with optimal distribution.

5

CONTROLLING LIGHT / With eldoLED drivers dimming to 1% or <1% via 0-10V, DALI or DMX/RDM and nLight by Acuity Controls, EVO delivers premium dimming and networkable control solutions.



eldoLED driver technology
available with 1% and <1%
dimming

nLight controls networking technology allows for
configurable dimming and lumen maintenance



(not to scale)

Intelligently-designed thermal management for enhanced color
stability and longer LED life

A configurable light engine
creates the flexibility to
improve Evo luminaires as
technology advances

Positive locking mechanism
assures precise alignment of
reflector and light engine

Patented Bounding Ray™
optics balance efficacy with
aperture aesthetics

Self-flanged and flangeless
trims provide classic to
minimalist aesthetics

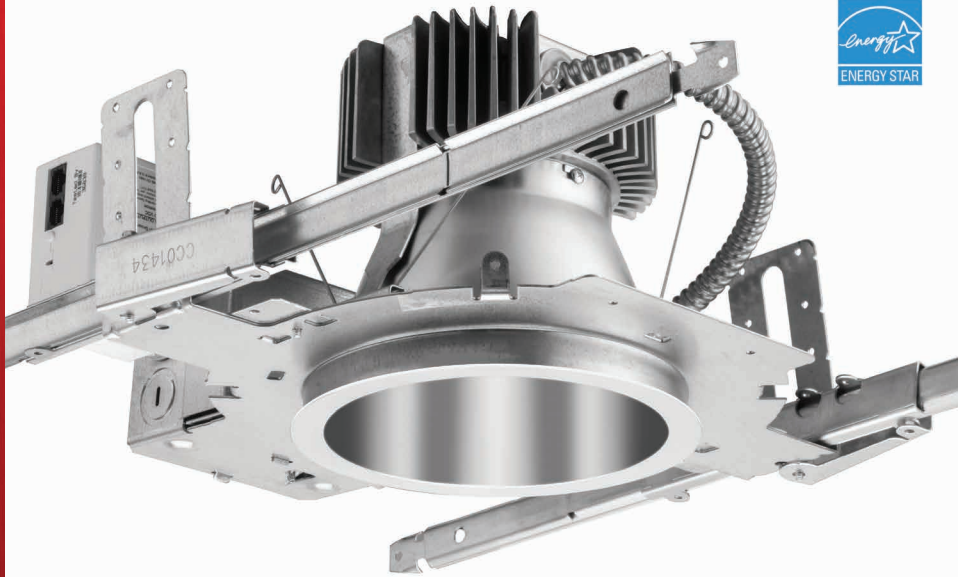
An impressive range of
configurations with five distribution
options for Evo luminaires.



lumen packages — 750 | 1000 | 1500 | 2000 | 2500 | 3000 | 3500 | 4000 | 4500

EVO® LED DOWNLIGHT

2



Evo open downlight (series: EVO) / lm/W: 97.0 (4500lm)

Diffusing the point. Traditionally, various sources were used to execute the vision for illuminating architecture. Different source types can render a space, an object and people differently. Choosing the source was dependent on the design intent. LED as a source has the potential to create many, if not all, of the attributes of every traditional source. The EVO® family of downlights has been designed to efficiently diffuse an LED source creating the soft edge, general illumination that you would expect from a CFL, frosted A-lamp or coated HID.

Spaces lighted with EVO luminaires feature distributions that feather cleanly while maintaining a pleasingly quiet ceiling. An efficient, proprietary light engine performs in harmony with Gotham's patented Bounding Ray optical principle, inhibiting unwanted glare.

- Available with multiple distributions from .5 to 1.2 spacing-to-mounting-height ratios
- Outstanding delivered lumens ranging from 750 to 4500 lm with efficacies of 80-90 lm/W
- Patented Bounding Ray™ optics balance efficacy with aperture aesthetics
- Evo solid-state luminaires tested to LM-79-08 standards and ENERGY STAR® certified — Evo LEDs tested to LM-80 standards



EVO. FUTURE READY.



3



Evo® Distributions

This application is ideally suited for Evo.

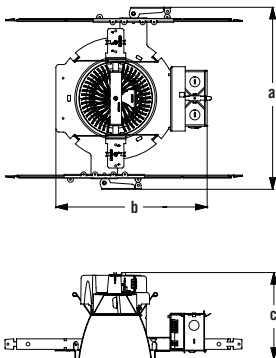
0.5 S/MH
Very Narrow

0.7 S/MH
Narrow

0.9 S/MH
Medium

1.0 S/MH
Medium-Wide

1.2 S/MH
Wide



4"

- a 15-7/8 (40.3)
- b 13-3/16 (33.5)
- c 6-5/8 (16.8)

- aperture 4-5/16 (11)
- ceiling opening 5-1/8 (13)
- overlap trim 5-7/16 (13.8)

6"

- a 15-7/8 (40.3)
- b 13-5/8 (34.6)
- c 7-9/16 (19.1)

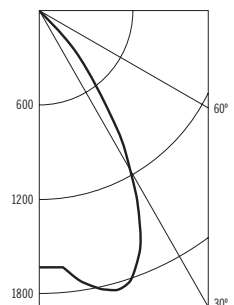
- aperture 6-1/4 (15.9)
- ceiling opening 7-1/8 (18.1)
- overlap trim 7-3/4 (19.6)

8"

- a 15-7/8 (40.3)
- b 14-3/16 (36.0)
- c 8-5/8 (22.0)

- aperture 7-7/8 (20.1)
- ceiling opening 8-7/8 (21.5)
- overlap trim 9-1/4 (23.5)

EVO 35/30 4AR LS
lumens per lamp 3112
input watts 36.9
lumens per watt 84.3
report no. LTL27791

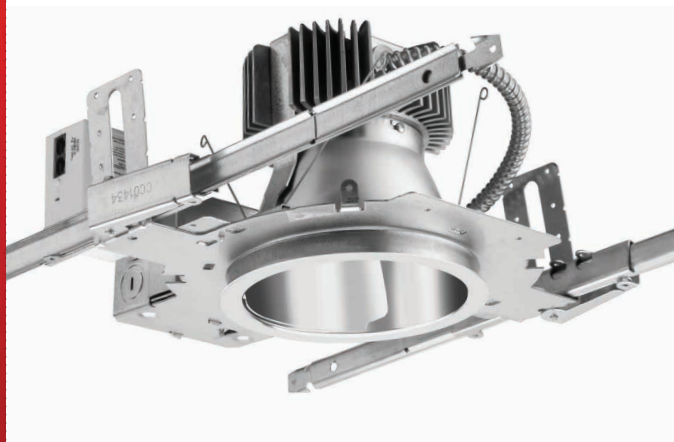


All dimensions are inches (centimeters). For complete specifications, please visit www.gothamlighting.com.

EVO®

LED OPEN WALLWASH

4



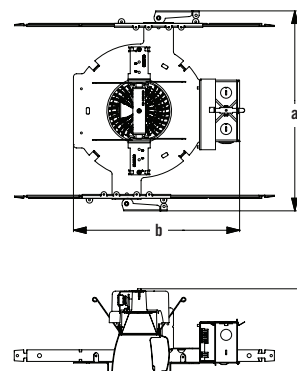
Evo® Distributions

Wallwash
Open Standard

Evo open wallwash (series: EVO WW) / lm/W: 80.0

Companion piece. Seen together with Evo® open downlights, this luminaire gives you the ability to illuminate vertical surfaces while maintaining a consistent visual rhythm in the ceiling.

- Patented Bounding Ray™ optics balance efficacy with aperture aesthetics
- Evo solid-state luminaires tested to LM-79-08 standards — Evo LEDs tested to LM-80 standards



4"

a 15-7/8 (40.3)
b 13-3/16 (33.5)
c 6-5/8 (16.8)

aperture
4-5/16 (11)
ceiling opening
5-1/8 (13)
overlap trim
5-7/16 (13.8)

6"

a 15-7/8 (40.3)
b 13-5/8 (34.6)
c 7-1/2 (19.1)

aperture
6-1/4 (15.9)
ceiling opening
7-1/8 (18.1)
overlap trim
7-3/4 (19.6)

8"

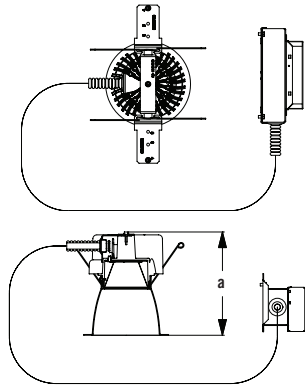
a 15-7/8 (40.3)
b 14-3/16 (36.0)
c 8-5/8 (21.9)

aperture
7-7/8 (20.1)
ceiling opening
8-7/8 (21.5)
overlap trim
9-1/4 (23.5)

All dimensions are inches (centimeters). For complete specifications, please visit www.gothamlighting.com.

EVO DOWNLIGHT, WALLWASH & RETROFIT

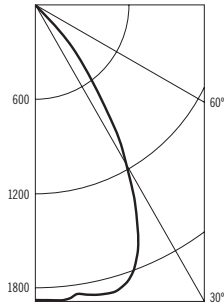
series		type	color temperature	nominal lumen output	aperture	trim color	trim type	distribution		
REQUIRED							OPTIONAL			
EVO				30/30		6AR				
EVO®	blank	downlight	27/ 2700K	07 750 lumens	4	AR clear	blank	open	VND very narrow	
	WW	wallwash	30/ 3000K	10 1000 lumens	6	PR pewter	W	retrofit	ND narrow	
	R	retrofit		35/ 3500K	15 1500 lumens	8	WTR wheat	wallwash	MD	medium
				20 2000 lumens	GR gold		MWD		medium wide	
				25 2500 lumens	WR white		WD		wide	
				30 3000 lumens	BR black					
				35 3500 lumens						
40 4000 lumens										
45 4500 lumens										



4"	6"	8"
a 6-5/8 (16.8)	a 7-1/2 (19.1)	a 8-5/8 (21.9)
aperture 4-5/16 (11)	aperture 6-1/4 (15.9)	aperture 7-7/8 (20.1)
ceiling opening 5-1/8 (13)	ceiling opening 7-1/8 (18.1)	ceiling opening 8-7/8 (21.5)
overlap trim 5-7/16 (13.8)	overlap trim 7-3/4 (19.6)	overlap trim 9-1/4 (23.5)

All dimensions are inches (centimeters). For complete specifications, please visit www.gothamlighting.com.

EVO 35/40 GAR LS
 lumens per lamp 4046.3 / input watts 48
 lumens per watt 84.0 / report no. LTL27768



For additional photometric information, please visit www.gothamlighting.com.

EVO. FUTURE READY.



Evo retrofit kit (series: EVO R): open & open wallwash / lm/W: 97.0 (4500lm)

Evo[®] retrofit: Convert to solid-state. Compared with CFL, HID, or incandescent, LED can reduce energy usage by as much as 81% over what you may be using now. That's a dramatic number. Evo allows you to take advantage of this without diminished performance — Gotham[®] brings all the features and benefits of an Evo open downlight to a retrofit luminaire.

- Designed for Gotham downlight frames — contact us for non-Gotham renovation needs
- Patented Bounding Ray™ optics balance efficacy with aperture aesthetics
- Evo solid-state luminaires tested to LM-79-08 standards and ENERGY STAR[®] certified — Evo LEDs tested to LM-80 standards

Evo[®] Distributions

This application is ideally suited for Evo.

0.5 S/MH
Very Narrow

0.7 S/MH
Narrow

0.9 S/MH
Medium

1.0 S/MH
Medium-Wide

1.2 S/MH
Wide

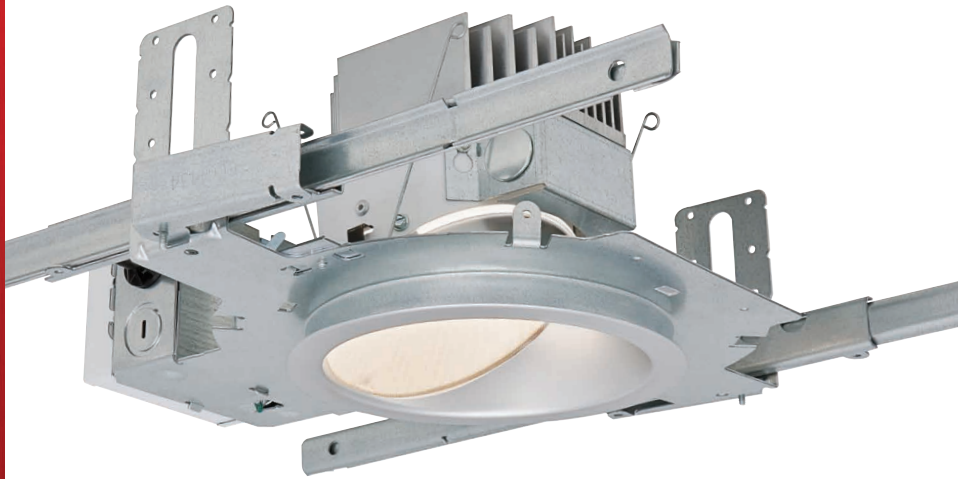
finish | voltage | driver | options

REQUIRED			OPTIONAL	
LSS	MVOLT	EZ1		
LSS semi-specular	MVOLT	EZ1 eldoLED 1% 0-10V	SF Single Fuse	NPS80 EZ ER nLight [®] dimming pack controls 0-10V eldoLED drivers. ER controls fixtures on emergency circuit.
LD matte-diffuse	120	EZB eldoLED <1% 0-10V	TRW White painted flange	CR190 High CRI (90+)
LS specular	277	EDAB eldoLED <1% DALI	TRBL Black painted flange	BGTD Bodine Generator Transfer Device
	347	EDXB eldoLED <1% DMX/RDM	ELR Batterypack (remote)	RRL RELOC Ready
		EXA1 XPoint Wireless, eldoLED 1% dimming. Only available for 0-10V	EL Batterypack	CP Chicago Plenum
		EXAB XPoint Wireless, eldoLED <1% dimming	NPS80 EZ nLight [®] dimming pack controls 0-10V eldoLED drivers	WRS FIDO wireless reporting system
		ECOS2 Lutron ECOS 2-wire		
		ECOS3 Lutron ECOS 3-wire		

notes:
¹ Please consult www.gothamlighting.com for full specification details and notes

EVO® LED LENSED WALLWASH

6



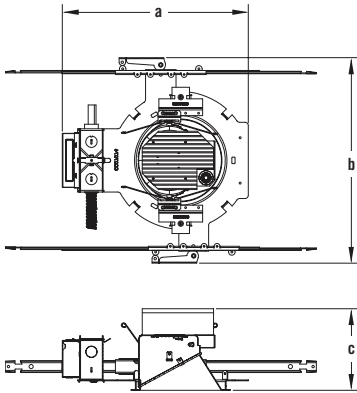
Evo lensed wallwash (series: EVO LW) / lm/W: 41.93

Uniformity from floor to ceiling. Smooth, balanced illumination is the hallmark of a superior wallwash. Exceptional performance is plainly visible: Vertical surfaces lit uniformly from top to bottom as well as from side to side, free of hot spots or visible striations. These wallwashers deliver precisely that level of performance — along with the energy efficiency possible from LED and the Future-Ready features available only with Evo®.

- Excellent uniformity, providing smooth distribution of light to the wall, free of room-side glare and without direct view of LEDs
- Evo solid-state luminaires tested to LM-79-08 standards — Evo LEDs tested to LM-80 standards

EVO LENSED WALLWASH

series		type	color temperature		nominal lumen output		aperture	trim color		finish		voltage	driver	
REQUIRED							OPTIONAL				REQUIRED			
EVO	LW		30/20		6AR			LSS		120				
EVO®	LW	lensed wallwash	27/	2700K	10	1000 lumens	4	AR	clear	LSS	semi-specular	MVOLT	EZ1	eldoLED 1% 0-10V
			30/	3000K	14	1400 lumens	6	PR	pewter	LD	matte-diffuse	120	EZB	eldoLED <1% 0-10V
			35/	3500K	18	1800 lumens		WTR	wheat	LS	specular	277	EDAB	eldoLED <1% DALI
			40/	4000K	20	2000 lumens		GR	gold			347	EDXB	eldoLED <1% DMX/RDM
					22	2200 lumens		WR	white				ECOS2	Lutron ECOS 2-wire
								BR	black				ECOS3	Lutron ECOS 3-wire



4"	6"
a 14-3/8 (36.4)	a 14-3/8 (36.4)
b 15-7/8 (40.3)	b 15-7/8 (40.3)
c 5-7/16 (13.9)	c 6-5/16 (16)
aperture	aperture
4-5/16 (11)	6-1/4 (15.9)
ceiling opening	ceiling opening
5-1/8 (13)	7-1/8 (18.1)
overlap trim	overlap trim
5-7/16 (13.8)	7-1/2 (19.1)

All dimensions are inches (centimeters). For complete specifications, please visit www.gothamlighting.com.

Wallwash Illuminance Study (fc)
Illuminance on wall from 6 luminaires

EVO LW 35/18 GAR 120
 lumens per lamp 1341.8 / input watts 32
 lumens per watt 41.93 / report no. LTL21137

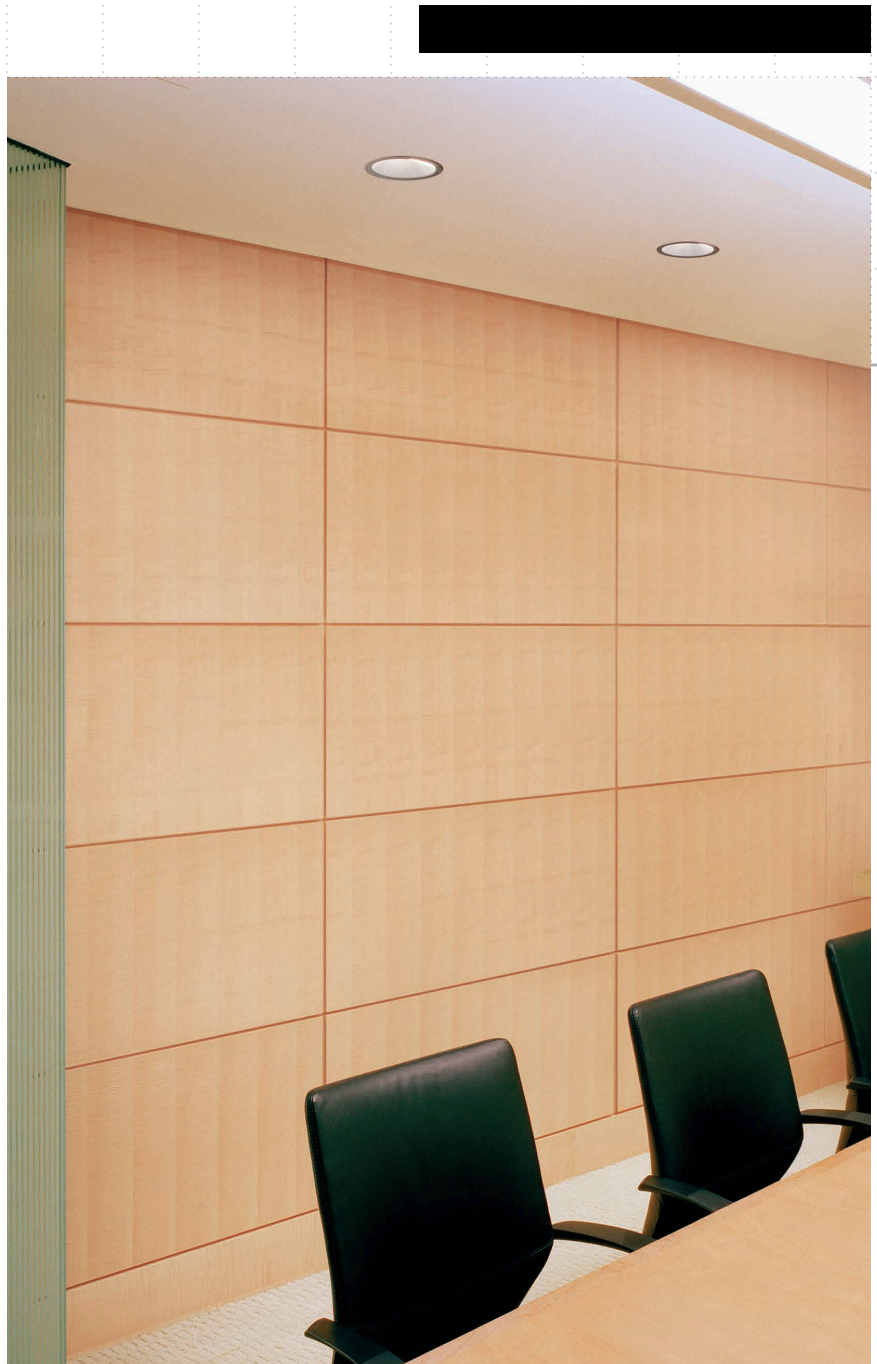
feet from ceiling	Luminaire mounted 3 ft. from wall 3 ft. between luminaires			Luminaire mounted 3 ft. from wall 4 ft. between luminaires		
	CL	MID	CL	CL	MID	CL
1	14.7	12.5	14.7	12.9	7.7	12.9
2	27.6	25.8	27.6	22.3	17.8	22.3
3	31.7	30.9	31.7	24.9	22.1	24.9
4	28.6	28.7	28.6	21.6	21.5	21.6
5	23.5	23.4	23.5	17.7	17.9	17.7
6	18.7	18.8	18.7	14.3	14.3	14.3
7	15.0	15.1	15.0	11.6	11.5	11.6
8	12.1	12.1	12.1	9.5	9.5	9.5
9	9.8	9.9	9.8	7.8	7.8	7.8
10	8.0	8.1	8.0	6.5	6.5	6.5
11	6.7	6.7	6.7	5.4	5.5	5.4
12	5.6	5.6	5.6	4.6	4.6	4.6

For additional photometric information, please visit www.gothamlighting.com.

options

OPTIONAL

SF	Single Fuse	NPS80 EZ	nLight® dimming pack controls 0-10V eldoLED drivers. ER controls fixtures on emergency circuit.
TRW	White painted flange	CR190	High CRI (90+)
TRBL	Black painted flange	BGTD	Bodine Generator Transfer Device
ELR	Battery pack (remote)	RRL	RELOC Ready
EL	Battery pack	CP	Chicago Plenum
NPS80 EZ	nLight® dimming pack controls 0-10V eldoLED drivers		



Evo® Distributions

This application is ideally suited for Evo lensed wallwash.

Wallwash
Distribution

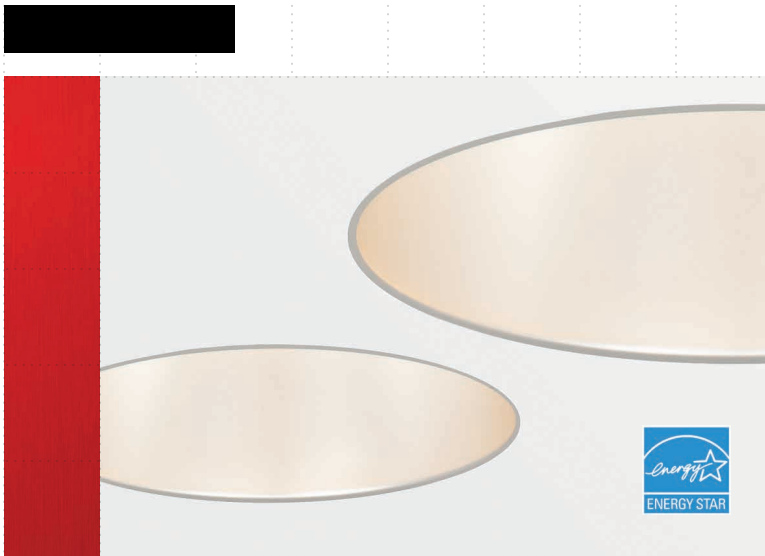
notes:

¹ Please consult www.gothamlighting.com for full specification details and notes

EVO®

LED ROUND FLANGELESS DOWNLIGHT

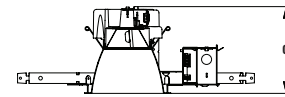
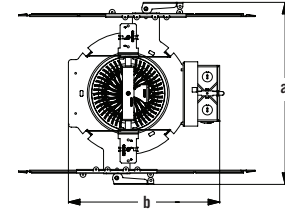
8



Evo round flangeless (trim type: FL) / lm/W: 97.0 (4500lm)

Flat is beautiful. Evo® flangeless allows for a flush-mount appearance in drywall ceiling applications. The flange virtually disappears, making it possible to achieve a clean, smooth surface plane.

- Virtually invisible flange creates a modern, architectural look without compromising performance
- Once installed, the luminaire, and ceiling are tightly anchored together to restrict movement and prevent ceiling cracking
- Patented Bounding Ray™ optics balance efficacy with aperture aesthetics
- Evo solid-state luminaires tested to LM-79-08 standards and ENERGY STAR® certified — Evo LEDs tested to LM-80 standards



4"

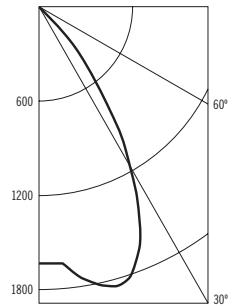
a 15-7/8 (40.3)
b 13-3/16 (33.5)
c 6-5/8 (16.8)
aperture 4-5/16 (11)
ceiling opening 5-1/4 (13.3)

6"

a 15-7/8 (40.3)
b 13-5/8 (34.6)
c 7-3/8 (18.7)
aperture 6-1/4 (15.9)
ceiling opening 7-1/4 (18.3)

All dimensions are inches (centimeters). For complete specifications, please visit www.gothamlighting.com.

EVO 35/30 4AR
lumens per lamp 3112
input watts 36.9
lumens per watt 84.3
report no. LTL27791



For additional photometric information, please visit www.gothamlighting.com.

EVO ROUND FLANGELESS

series		type	color temperature		nominal lumen output		aperture	trim color		trim type	distribution		finish								
REQUIRED											OPTIONAL										
EVO			30/20		6ARFL								LD								
EVO®	blank	new construction	27/	2700K	07	750 lumens	4	AR	clear	FL	flangeless	VND	very narrow	LSS	semi-specular						
			30/	3000K	10	1000 lumens	6	PR	pewter			ND	narrow	LD	matte-diffuse						
R	refit	35/	3500K	15	1500 lumens	20	2000 lumens	WTR	wheat	GR	gold	MWD	medium wide	WD	wide	LS	specular				
				25	2500 lumens													WR	white		
				30	3000 lumens															BR	black
				35	3500 lumens																
				40	4000 lumens																
				45	4500 lumens																



Evo® Distributions

This application is ideally suited for Evo flangeless.

0.5 S/MH
Very Narrow

0.7 S/MH
Narrow

0.9 S/MH
Medium

1.0 S/MH
Medium-Wide

1.2 S/MH
Wide

voltage

driver

options

REQUIRED

OPTIONAL

120

EZ1

MVOLT
120
277
347

EZ1 eldoLED 1% 0-10V
EZB eldoLED <1% 0-10V
EDAB eldoLED <1% DALI
EDXB eldoLED <1% DMX/RDM
EXA1 XPoint Wireless, eldoLED 1% dimming. Only available for 0-10V
EXAB XPoint Wireless, eldoLED <1% dimming
ECOS2 Lutron ECOS 2-wire
ECOS3 Lutron ECOS 3-wire

SF Single Fuse
TRW White painted flange
TRBL Black painted flange
ELR Batterypack (remote)
EL Batterypack
NPS80 EZ nLight® dimming pack controls 0-10V eldoLED drivers

NPS80 EZ ER nLight® dimming pack controls 0-10V eldoLED drivers. ER controls fixtures on emergency circuit.
CR190 High CRI (90+)
BGTD Bodine Generator Transfer Device
RRL RELOC Ready
CP Chicago Plenum
WRS FIDO wireless reporting system

notes:

¹ Please consult www.gothamlighting.com for full specification details and notes



Evo® Distributions

This application is ideally suited for Evo cylinders.

0.5 S/MH
Very Narrow

0.7 S/MH
Narrow

0.9 S/MH
Medium

1.0 S/MH
Medium-Wide

1.2 S/MH
Wide

driver

mounting

options

accessories

EZ1

FCM

OPTIONAL

- EZ1** eldoLED 1% 0-10V
- EZB** eldoLED <1% 0-10V
- EDAB** eldoLED <1% DALI
- EDXB** eldoLED <1% DMX/RDM
- EXA1** XPoint Wireless, eldoLED 1% dimming. Only available for 0-10V
- EXAB** XPoint Wireless, eldoLED <1% dimming
- ECOS2** Lutron ECOS 2-wire
- ECOS3** Lutron ECOS 3-wire

- FCM** surface
- WM** wall
- PM** pendant
- ACC** aircraft cable and cord mount

- SF** single fuse
- CRI90** high CRI (90+)
- NPS80 EZ** nLight® dimming pack controls 0-10V eldoLED drivers
- NPS80 EZ ER** nLight® dimming pack controls 0-10V eldoLED drivers. ER controls fixtures on emergency circuit.

- housing colors**
- DWHG** matte white (standard)
 - DBB** dark bronze
 - DBL** black
 - DWH** gloss white
 - DMB** medium bronze
 - DNA** natural aluminum
 - DSS** sandstone
 - DBR** bright red
 - DSB** steel blue

- order as separate catalog numbers (shipped separately)
- CYS** 3/8" stem and canopy with 5° "hang straight" swivel
 - CRS** 3/8" stem and canopy with 45° swivel
 - CYSX** 3/8" stem and canopy with 5° "hang straight" swivel. Use this nomenclature when ordering EDXB driver
 - CRSX** 3/8" stem and canopy with 45° swivel. Use this nomenclature when ordering EDXB driver

notes:

¹ Please consult www.gothamlighting.com for full specification details and notes

SQUARE MEANS SQUARE

12

□ Why choose a square downlight? To create a distinctive rhythm. To veer away from convention toward a more geometric look. To acknowledge the appeal of straight edges and corners.

In short, the decision is a purely aesthetic one. Which is a perfectly legitimate reason to choose any luminaire. But the larger point is this: Square luminaires are rarely specified for their performance. With Evo®, that's not the case.

Refining the Square

Evo squares provide the future-ready modular design benefits inherent in every Evo luminaire: configurable and upgradable LED boards, 2.5-step MacAdam's ellipse binning for color consistency, and extraordinary dimming and controls capabilities.

1

PERFECT ALIGNMENT / Evo's adjustable frame allows rotation of the light engine and reflector up to 5 degrees after the frame is installed. Alignment becomes a very simple task. Evo squares also feature keyed reflector positioning — the reflector is secured to the frame with a precise tab and slot system. Once in place, it stays in place.

2

MITER-FREE CONSTRUCTION / Most square luminaires use mitered corners, which are subject to racking, distortion, and light leaks. Evo squares feature miter-free, one-piece polymer composite reflectors that maintain their integrity and performance: Square now, square later.

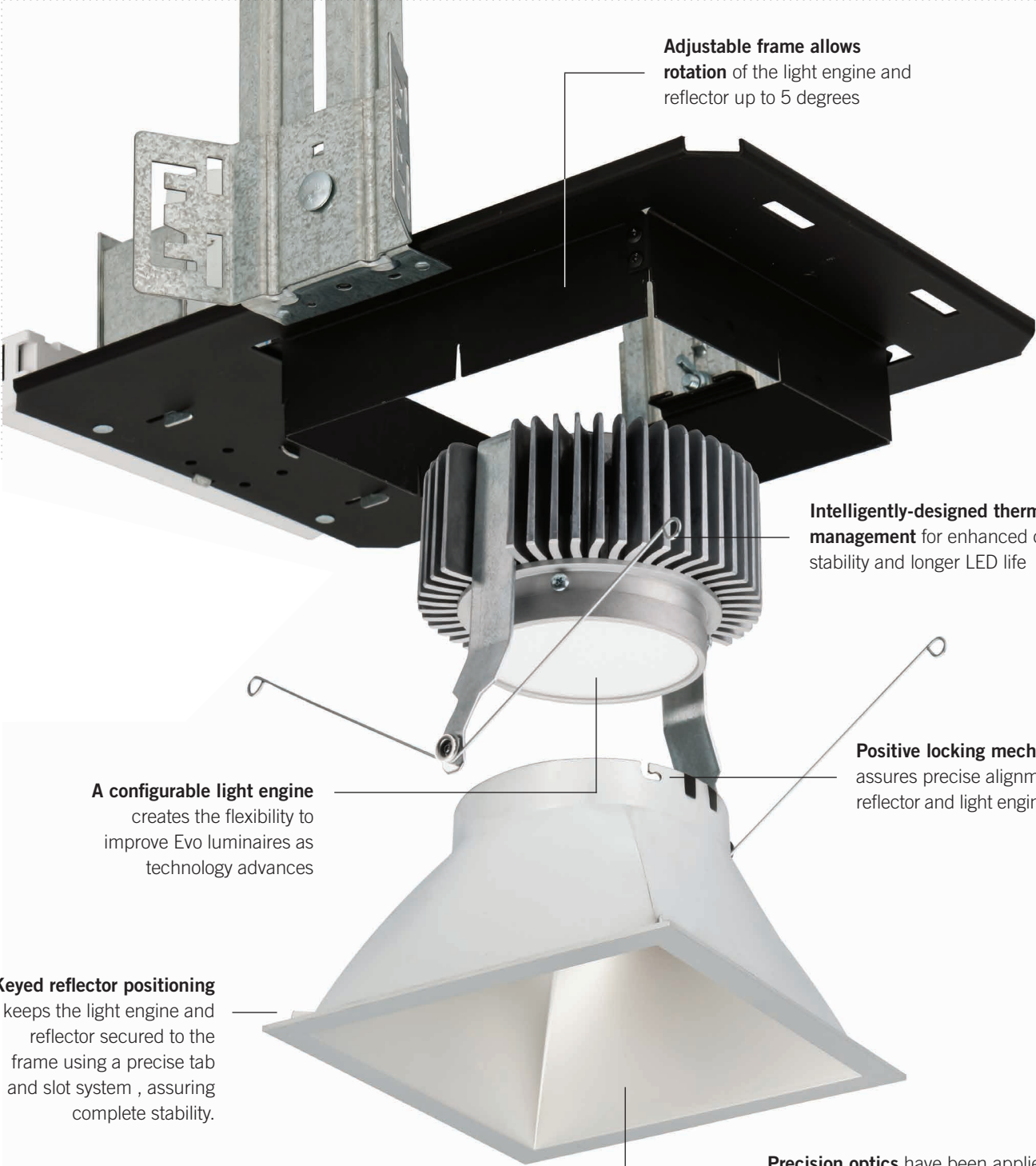
3

AZIMUTHAL DESIGN / Using advanced mathematics and manufacturing, Gotham's design team has created a unique one-piece reflector. A circular profile adjacent to the light engine transforms seamlessly into a square at the flange — resulting in optics that outperform any standard square luminaire.

4

CONTROLLING LIGHT / With eldoLED drivers dimming to 1% or <1% via 0-10V, DALI or DMX/RDM and nLight by Acuity Controls, EVO delivers premium dimming and networkable control solutions.





Adjustable frame allows rotation of the light engine and reflector up to 5 degrees

Intelligently-designed thermal management for enhanced color stability and longer LED life

A configurable light engine creates the flexibility to improve Evo luminaires as technology advances

Positive locking mechanism assures precise alignment of reflector and light engine

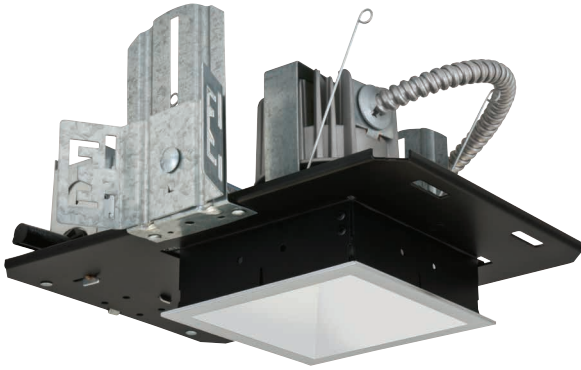
Keyed reflector positioning keeps the light engine and reflector secured to the frame using a precise tab and slot system, assuring complete stability.

Precision optics have been applied to a miter-free, one-piece polymer reflector that will outperform any standard square luminaire.

EVO®

LED OPEN SQUARE DOWNLIGHT

14



Evo open square LED (series: EVO SQ) / lm/W: 92.3 (2000lm)

The circle in the square. The heart of the Evo® square is a sophisticated azimuthal reflector. At one end is Evo's high-performance, solid-state light engine, at the other a square flange. The precise transition between the two yields a luminaire with vanguard performance simply impossible to duplicate using standard square reflectors.

- Innovative azimuthal reflector is miter-free, one-piece, polymer composite and will not distort or separate — no racking, no light leaks
- Keyed reflector positioning keeps the light engine and reflector aligned and locked in position — adjustable frame allows up to 5° of rotation after installation
- Exceptional performance and modular design — like every Evo luminaire, Evo squares boast configurable LED boards and 2-5-step MacAdam's ellipse binning
- The EVO square lensed wallwash allows you to keep the same shape as the downlight, but with added vertical illumination for uniform wallwashing



EVO SQUARES

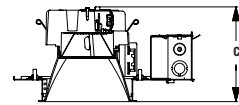
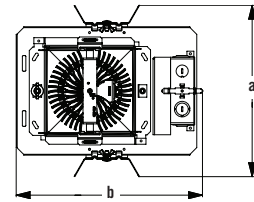
series	type	color temperature	nominal lumen output	aperture	trim color	finish
<small>REQUIRED</small>	<small>REQUIRED</small>					
EVO	SQLW		30/20		6AR	LD
EVO ¹	SQ square downlight	27/ 2700K	07 750 lumens	4	AR clear	LSS semi-specular
	SQLW lensed wallwash	30/ 3000K	10 1000 lumens	6	PR pewter	LD matte-diffuse
		35/ 3500K	15 1500 lumens		WTR wheat	
		40/ 4000K	20 2000 lumens		WR white	
			25 2500 lumens		BR black	
			30 3000 lumens			
			35 3500 lumens			
			40 4000 lumens			
			45 4500 lumens			



Evo® Distributions

This application is ideally suited for Evo squares.

1.0 S/MH
Standard



4"

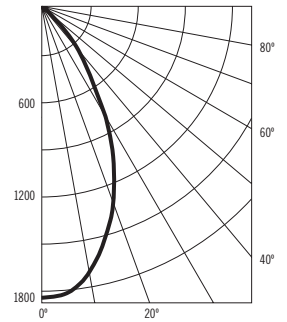
- a 11-3/8 (28.9)
- b 12-7/16 (31.6)
- c 6-5/8 (16.9)
- aperture 4-1/2 x 4-1/2 (11.4 x 11.4)
- ceiling opening 5-1/8 x 5-1/8 (13 x 13)
- overlap trim 5-1/2 (14)

6"

- a 12-3/8 (31.4)
- b 13-7/16 (34.2)
- c 6-3/4 (17.2)
- aperture 6 x 6 (15.2 x 15.2)
- ceiling opening 6-5/8 x 6-5/8 (16.8 x 16.8)
- overlap trim 7 (17.8)

All dimensions are inches (centimeters). For complete specifications, please visit www.gothamlighting.com.

EVO SQ 35/20 4AR LSS
lumens per lamp 2160.8
input watts 23.4
lumens per watt 92.3
report no. LTL27795



For additional photometric information, please visit www.gothamlighting.com.

voltage

driver

options

REQUIRED

OPTIONAL

120

EZ1

MVOLT
120
277
347

- EZ1** eldoLED 1% 0-10V
- EZB** eldoLED <1% 0-10V
- EDAB** eldoLED <1% DALI
- EDXB** eldoLED <1% DMX/RDM
- EXA1** XPoint Wireless, eldoLED 1% dimming. Only available for 0-10V
- EXAB** XPoint Wireless, eldoLED <1% dimming
- ECOS2** Lutron ECOS 2-wire
- ECOS3** Lutron ECOS 3-wire

- SF** Single Fuse
- ELR** Batterypack (remote)
- EL** Batterypack
- NPS80 EZ** nLight® dimming pack controls 0-10V eldoLED drivers
- NPS80 EZ ER** nLight® dimming pack controls 0-10V eldoLED drivers. ER controls fixtures on emergency circuit.

- CRI90** High CRI (90+)
- BGTD** Bodine Generator Transfer Device³
- RRL** RELOC Ready
- CP** Chicago Plenum
- WRS** FIDO wireless reporting system

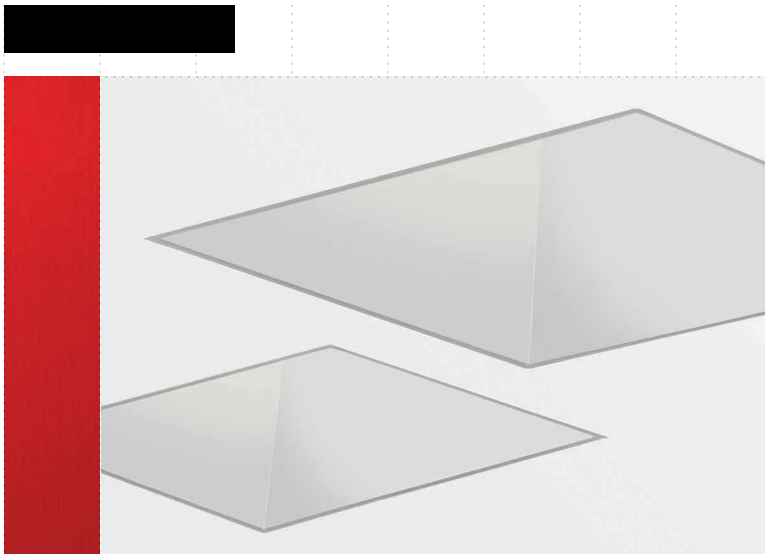
notes:

¹ Please consult www.gothamlighting.com for full specification details and notes

EVO®

LED SQUARE FLANGELESS DOWNLIGHT

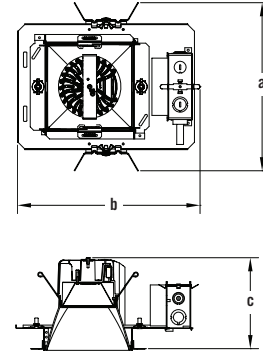
16



Evo square flangeless (trim type: FL) / lm/W: 92.3 (2000lm)

□ Square plane. For architectural settings where a minimalist, geometric approach might be appropriate, Evo® offers a square flangeless luminaire. In drywall ceiling applications, its flush-mount appearance causes the flange to virtually disappear, allowing the square to seemingly meld with the ceiling.

- Once installed, the luminaire, and ceiling are tightly anchored together to restrict movement and prevent ceiling cracking
- Innovative azimuthal reflector is miter-free, one-piece, polymer composite and will not distort or separate — no racking, no light leaks
- Adjustable frame allows up to 5° of rotation



4"

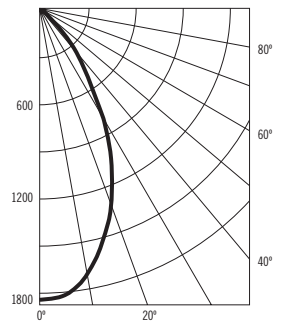
- a 11-3/8 (28.9)
- b 12-7/16 (31.6)
- c 6-9/16 (16.7)
- aperture
4-1/2 x 4-1/2 (11.4 x 11.4)
- ceiling opening
5-1/4 x 5-1/4 (13.3 x 13.3)

6"

- a 12-3/8 (31.4)
- b 13-7/16 (34.2)
- c 6-11/16 (17.0)
- aperture
6 x 6 (15.2 x 15.2)
- ceiling opening
6-7/8 x 6-7/8 (17.5 x 17.5)

All dimensions are inches (centimeters). For complete specifications, including retrofit dimensions, please visit www.gothamlighting.com.

EVO SQ 35/20 4AR LSS
lumens per lamp 2160.8
input watts 23.4
lumens per watt 92.3
report no. LTL27795



For additional photometric information, please visit www.gothamlighting.com.

EVO SQUARE FLANGELESS

series	type	color temperature	nominal lumen output	aperture	trim color	trim type	finish	
EVO	SQ		30/20			6ARFL	LD	
<small>REQUIRED</small>								
EVO	SQ	square downlight	27/ 2700K	07 750 lumens	4	AR clear	FL flangeless	LSS semi-specular
	SQLW	lensed wallwash	30/ 3000K	10 1000 lumens	6	PR pewter		LD matte-diffuse
			35/ 3500K	15 1500 lumens		WTR wheat		
			40/ 4000K	20 2000 lumens		WR white		
				25 2500 lumens		BR black		
				30 3000 lumens				
				35 3500 lumens				
				40 4000 lumens				
				45 4500 lumens				



Evo® Distributions

This application is ideally suited for Evo square flangeless.

1.0 S/MH
Standard

voltage

driver

options

REQUIRED

OPTIONAL

120

EZ1

MVOLT
120
277
347

EZ1 eldoLED 1% 0-10V
EZB eldoLED <1% 0-10V
EDAB eldoLED <1% DALI
EDXB eldoLED <1% DMX/RDM
EXA1 XPoint Wireless, eldoLED 1% dimming. Only available for 0-10V
EXAB XPoint Wireless, eldoLED <1% dimming
ECOS2 Lutron ECOS 2-wire
ECOS3 Lutron ECOS 3-wire

SF Single Fuse
ELR Batterypack (remote)
EL Batterypack
NPS80 EZ nLight® dimming pack controls 0-10V eldoLED drivers
NPS80 EZ ER nLight® dimming pack controls 0-10V eldoLED drivers. ER controls fixtures on emergency circuit.

CRI90 High CRI (90+)
BGTD Bodine Generator Transfer Device
RRL RELOC Ready
CP Chicago Plenum
WRS FIDO wireless reporting system

notes:

¹ Please consult www.gothamlighting.com for full specification details and notes

SPECIAL APPLICATIONS

18

Evo® is a platform designed for various applications. A crucial element of this platform is to provide solutions to architects and designers as they address the kinds of special application scenarios that inevitably arise in almost any real-world project. That means applying Evo's advanced solid-state technology, performance, and modularity benefits to luminaires requiring ingress protection or tamper-proof barriers. Or to decorative downlights, where enhanced aesthetics are desired.

Stay with us as Gotham® continues to expand the scope of applications for Evo downlighting products.



Evo Vandal Resistant LED

Equipped with Gotham's rugged Lightshield™ bezel, Evo Vandal Resistant luminaires deliver high-performance in tough environments. A one-piece bezel made of marine-grade die-cast aluminum mounts to Evo's frame with stainless steel screws that resist tampering.

Ingress protection up to IP65 provides these luminaires with complete shielding against solid objects and dust, along with resistance to moisture and water from all directions. Corrosion-resistant Lightshield bezels are salt-spray tested to 1,000 hours.



Evo LED Shower Light

Locker rooms and showers are an obvious choice for this luminaire. Like its vandal-resistant sibling, the Shower Light is wet-location listed and carries an IP65 ingress protection rating, shielding it from vapor and water spray. But the shower light is also suitable for hose-down applications like food processing plants, or for scenarios such as clean rooms and pharmaceutical facilities, where dust is a factor.

The Shower Light can also be used in aquatic centers, hospitals, or hospitality applications — any location requiring a non-conductive, “dead-front” design.




19

DLD drop luminous disk

DLR drop luminous ring

Evo Decorative

 **Some ceilings benefit from a little extra.** Decorative elements can add life to spaces where the simple look of a downlight aperture may not be enough.

For those situations, Gotham offers luminous ring and disk options as part of Evo's comprehensive product line. Featuring polished edges and turned aluminum hardware, both styles are made from 3/16" low-iron glass — highly transmissive, and free from unwanted green hues.

EVO® VANDAL RESISTANT LED



Shown with oil-rubbed bronze finish

Evo vandal-resistant LED (series: EVO VR)

High performance, high security. Evo® vandal-resistant luminaires are available with Gotham® Lightshield™ bezels. A downlight both rugged and precise, it features advanced solid-state technology and delivers exceptional quality of light.

- Lightshield™ bezel is made of low-copper aluminum, and finishes are salt-spray tested to 1,000 hours for superior corrosion resistance
- Stainless steel T20 Torx®-head screws ensure a tamper-proof barrier, protecting the downlights from theft and vandalism
- Decorative bezel available in plated finishes or with textured polyester powder coat in standard architectural colors
- Ingress protection up to IP65 prevents moisture and dust from entering luminaire from the roomside
- Evo solid-state luminaires tested to LM-79-08 standards —
Evo LEDs tested to LM-80 standards



EVO VANDAL RESISTANT

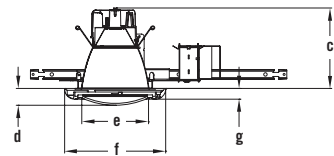
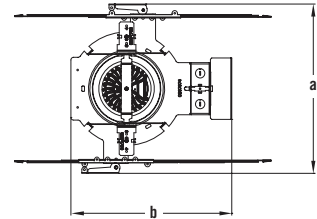
series		type	color temperature		nominal lumen output		aperture	trim color		finish		lens	
REQUIRED										OPTIONAL		REQUIRED	
EVO		VR	30/20		6AR						T73		
EVO®	VR	vandal resistant downlight	27/	2700K	10	1000 lumens	6	AR	clear	LSS	semi-specular	PCL	1/8" clear polycarbonate
			30/	3000K	15	1500 lumens	8	PR	pewter	LD	matte-diffuse	CGL	1/8" clear glass
			35/	3500K	20	2000 lumens		WTR	wheat	LS	specular	T73	3/16" tempered prismatic
			40/	4000K	25	2500 lumens		GR	gold			PPC	1/8" prismatic polycarbonate
					30	3000 lumens		WR	white			FOL	1/8" tempered flush opal glass
					35	3500 lumens		BR	black			CVX	3/16" clear convex glass
					40	4000 lumens							
					45	4500 lumens							



Evo® Distributions

This application is ideally suited for Evo vandal resistant.

1.0 S/MH
Standard



6"

- a 15-7/8 (40.3)
- b 15-1/16 (38.3)
- c 7-9/16 (19.1)
- d 1-9/16 (4.0)
- e 6-1/4 (15.9)
- f 9-7/16 (24.0)
- g 1 (2.6)

aperture 6-1/4 (15.9) ceiling opening 7-1/8 (18.1)

8"

- a 15-7/8 (40.3)
- b 14-3/16 (36.0)
- c 8-5/8 (22.0)
- d 2 (5.1)
- e 7-13/16 (19.8)
- f 11-1/16 (28.0)
- g 1 (2.6)

aperture 7-7/8 (20.1) ceiling opening 8-7/8 (21.5)

All dimensions are inches (centimeters). For complete specifications, including retrofit dimensions, please visit www.gothamlighting.com.

21

voltage

driver

options

OPTIONAL

277

EZ1

MVOLT
120
277
347

EZ1 eldoLED 1% 0-10V
EZB eldoLED <1% 0-10V
EDAB eldoLED <1% DALI
EDXB eldoLED <1% DMX/RDM
EXA1 XPoint Wireless, eldoLED 1% dimming. Only available for 0-10V
EXAB XPoint Wireless, eldoLED <1% dimming
ECOS2 Lutron ECOS 2-wire
ECOS3 Lutron ECOS 3-wire

SF Single fuse
CR190 High CRI (90+)
WG Wire guard
PCU Polycarbonate underlay
CP Chicago plenum
WRS FIDO wireless reporting system

architectural colors

DWHG Matte white (standard)
DDB Dark bronze
DBL Black
DWH Gloss white
DMB Medium bronze
DNA Natural aluminum
DSS Sandstone
DGC Charcoal grey
DTC Tennis green
DBR Bright red
DSB Steel blue
PWR Pewter plating
SCH Satin chrome plating
ORB Oil-rubbed bronze

notes:

¹ Please consult www.gothamlighting.com for full specification details and notes

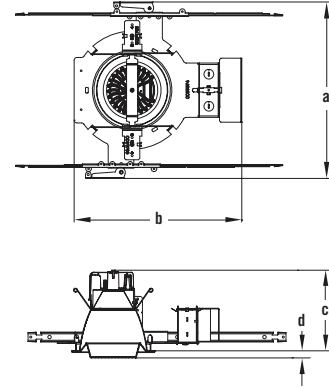
EVO® LED SHOWER LIGHT



Evo shower light: drop (top), regressed (bottom)

■ Solid-state for the shower. For projects that call for non-conductive, wet-location luminaires we've created the Evo® LED shower light. Highly suitable for such applications, it's available with both drop and regressed lens options as well as for new construction or retrofit installation.

- “Dead-front” trim design suitable for a wide range of applications and codes requiring a non-conductive lens assembly
- IP65 rating ensures luminaires provide ingress protection to the ceiling and protects from water spray and vapor
- Evo solid-state luminaires tested to LM-79-08 — Evo LEDs tested to LM-80 standards



6"

- a 15-7/8 (40.3)
- b 15-1/16 (38.3)
- c (DFR) 7-1/2 (19.1)
- d (DFD) 11/16 (1.7)

- aperture 6-1/4 (15.9)
- ceiling opening 7-1/8 (18.1)
- overlap trim 7-3/4 (19.6)

8"

- a 15-7/8 (40.3)
- b 14-3/16 (36.0)
- c (DFR) 8-9/16 (21.8)
- d (DFD) 15/16 (2.3)

- aperture 7-7/8 (20.1)
- ceiling opening 8-7/8 (21.5)
- overlap trim 9-1/4 (23.5)

All dimensions are inches (centimeters). For complete specifications, including retrofit dimensions, please visit www.gothamlighting.com.

EVO SHOWER LIGHT

series	type	color temperature	nominal lumen output	aperture	trim style					
EVO			30/20		6DFR					
EVO ¹	blank	27/	2700K	10	1000 lumens	6	DFR	Dead (non-conductive) front regressed		
		R	retrofit	30/	3000K				15	1500 lumens
			35/	3500K	20		2000 lumens	8	DFD	Dead (non-conductive) front drop
			40/	4000K	25		2500 lumens			
					30		3000 lumens			
					35		3500 lumens			
				40	4000 lumens					
				45	4500 lumens					



Evo® Distributions

This application is ideally suited for the Evo shower light.

1.0 S/MH
Standard

voltage

driver

options

120

EZ1

OPTIONAL

MVOLT
120
277
347

EZ1 eldoLED 1% 0-10V
EZB eldoLED <1% 0-10V
EDAB eldoLED <1% DALI
EDXB eldoLED <1% DMX/RDM
EXA1 XPoint Wireless, eldoLED 1% dimming. Only available for 0-10V
EXAB XPoint Wireless, eldoLED <1% dimming
ECOS2 Lutron ECOS 2-wire
ECOS3 Lutron ECOS 3-wire

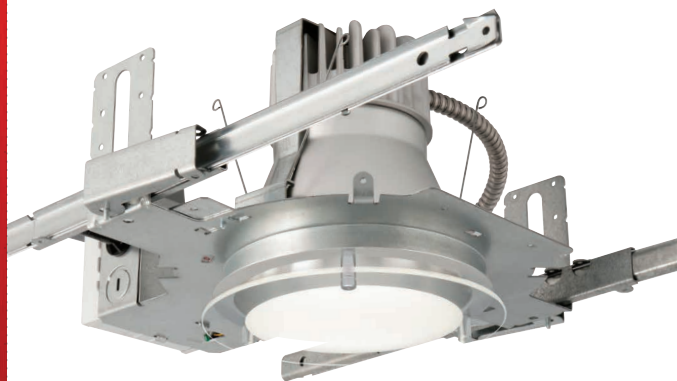
SF Single Fuse
ELR Batterypack (remote)
EL Batterypack
NPS80 EZ nLight® dimming pack controls 0-10V eldoLED drivers
NPS80 EZ ER nLight® dimming pack controls 0-10V eldoLED drivers. ER controls fixtures on emergency circuit.

CRI90 High CRI (90+)
BGTD Bodine Generator Transfer Device³
RRL RELOC Ready
CP Chicago Plenum
WRS FIDO wireless reporting system

notes:

¹ Please consult www.gothamlighting.com for full specification details and notes

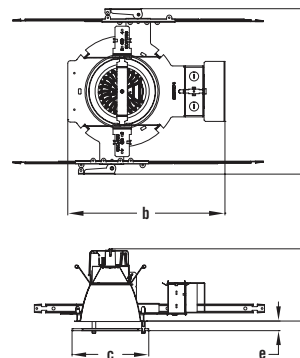
EVO® DECORATIVE LED



Evo decorative (series EVO with DLD luminous disk)

Luminous ring, luminous disk. Re-interpreted by Gotham® for the Evo® series, these classic decorative downlight accessories have been given a contemporary spin. Disks and rings have been re-proportioned for both 6" and 8" apertures and suspended beneath shallower standoffs.

- Luminous disks and rings both feature generous 3/16" glass with polished edges
- Low-iron glass provides better transmissivity and eliminates unwanted green hues
- Evo solid-state luminaires tested to LM-79-08 — Evo LEDs tested to LM-80 standards



6"	8"
a 15-7/8 (40.3)	a 15-7/8 (40.3)
b 15-1/16 (38.3)	b 14-3/16 (36.0)
c 8 (20.3)	c 9-7/8 (25.1)
d 7-9/16 (19.1)	d 8-5/8 (21.9)
e 1 (2.5)	e 1 (2.5)
aperture 6-1/4 (15.9)	aperture 7-7/8 (20.1)
ceiling opening 7-1/8 (18.1)	ceiling opening 8-7/8 (21.5)
overlap trim 7-3/4 (19.6)	overlap trim 9-1/4 (23.5)

All dimensions are inches (centimeters). For complete specifications, please visit www.gothamlighting.com.

EVO DECORATIVE

REQUIRED						OPTIONAL				
series	color temperature	nominal lumen output		aperture	trim color	decorative element		finish		
EVO		30/20		6AR		DLR		LD		
EVO®	27/ 2700K	10	1000 lumens	6	AR	clear	DLR	drop luminous ring	LSS	semi-specular
	30/ 3000K	15	1500 lumens	8	PR	pewter	DLD	drop luminous disk	LD	matte-diffuse
	35/ 3500K	20	2000 lumens		WTR	wheat			LS	specular
	40/ 4000K	25	2500 lumens		GR	gold				
		30	3000 lumens		WR	white				
		35	3500 lumens		BR	black				
		40	4000 lumens							
		45	4500 lumens							



Evo® Distributions

This application is ideally suited for Evo decorative.

1.0 S/MH
Standard

voltage

driver

options

REQUIRED

OPTIONAL

277

EZ1

MVOLT
120
277
347

EZ1 eldoLED 1% 0-10V
EZB eldoLED <1% 0-10V
EDAB eldoLED <1% DALI
EDXB eldoLED <1% DMX/RDM
EXA1 XPoint Wireless, eldoLED 1% dimming. Only available for 0-10V
EXAB XPoint Wireless, eldoLED <1% dimming
ECOS2 Lutron ECOS 2-wire
ECOS3 Lutron ECOS 3-wire


SF Single Fuse
TRW White painted flange
TRBL Black painted flange
ELR Batterypack (remote)
NPS80 EZ nLight® dimming pack controls 0-10V eldoLED drivers

NPS80 EZ ER nLight® dimming pack controls 0-10V eldoLED drivers. ER controls fixtures on emergency circuit.
CRI90 High CRI (90+)
BGTD Bodine Generator Transfer Device³
RRL RELOC Ready
WRS FIDO wireless reporting system

notes:

¹ Please consult www.gothamlighting.com for full specification details and notes

EVO®

 Evo® is a platform designed to evolve as solid-state technology evolves and new enabling technologies emerge. We are constantly working on the next improvements in lighting quality, aesthetics and efficiency. These advances will lead to an ever-expanding scope of applications for EVO downlighting products.

Our process is continuous improvement. Stay with us, this journey is just starting and the future is an adventure we will explore together. For more information, please visit www.gothamlighting.com.

