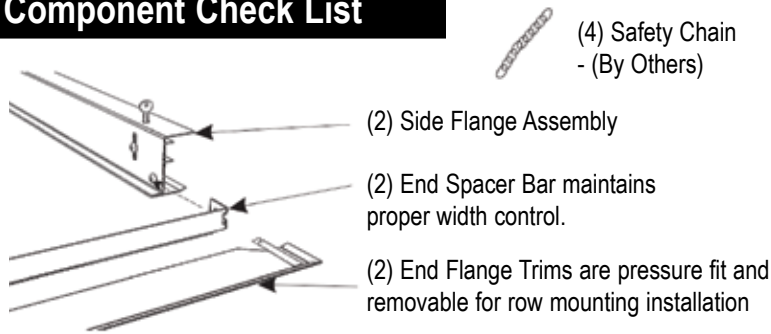


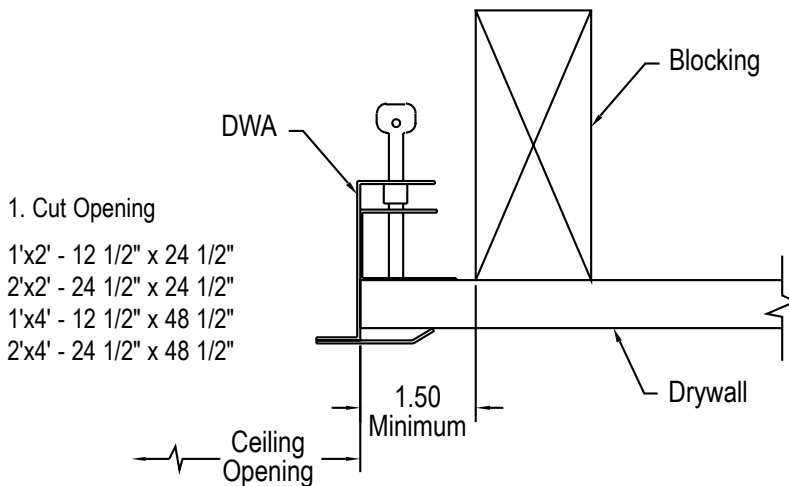
Installation Procedure for Mounting Flange Kit

The flange kit is intended for installation in a recessed ceiling cavity. Identify all parts and read the following assembly instructions before proceeding with the installation. The instructions are in a step by step sequence for correct and easy assembly. Please follow the sequence! To prevent electrical shock, turn off electricity at fuse box before proceeding.

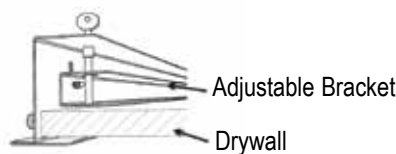
Component Check List



Blocking must be 1.5" recessed from ceiling opening



2. Install Side Flange Assembly



3. Gently tighten thumb screws ensuring adjustable bracket is pressed lightly against drywall. **Make sure NOT to tighten all the way.**



4. Install end spacer bars and tighten screws. Make sure all four corners are squared before tightening.
Note: Line up rectangular cut-out slot to the head of the screw and slide in when placing.



5. Tighten lower screw to adjustable bracket to make flange kit flush with ceiling surface. Next, tighten thumb screw to secure into place.



6. Install safety chain (by others) from holes provided on the top of side flange assembly to the ceiling structure.



7. *Wire and lay fixture into place by inserting on an angle. *For convenience, remove door frame to facilitate easier handling.*



8. Slide in end flange trim (If row mounted then only required at start and end of run).



9. Installation complete.



* For shallow ceiling cavity, fixture may be slid into plenum, prior to assembly and installation of flange kit (i.e. Steps 2-5) and then slid into place. Continue with Step 7.