



E.B. Horsman & Son

The Electrical Distributor of Choice!

*proud distributor
of*


COOPER Lighting

Visit our

You Tube Channel

www.youtube.com/user/ebhorsman

Shop Online



ebhorsman.com



HALO

TRACK LIGHTING

Halo is an industry leader in the design and manufacture of track lighting systems. With thousands of combinations of light source, fixture design and track system solutions to choose from, Halo provides a track or surface solution that fits any application need.

Halo Track



The extensive offering of track systems provides solutions for ceiling-mount, suspended or recessed options in single or multi-circuit designs. Surface products include a line of wall sconces and pendants and feature beautiful hand-blown Art Glass pendants. Halo's track and surface lighting products offer unmatched flexibility, versatility and performance.

SEE PAGE 2-109 FOR NEW PRODUCTS.



ARCHITECTURAL STASIS LED



Stasis LED Large
Page 2-8



Stasis LED Wall Wash
Page 2-8

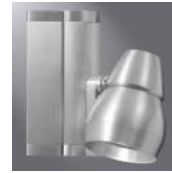


Stasis LED Medium
Page 2-9



Stasis LED Small
Page 2-9

ARCHITECTURAL STASIS CERAMIC METAL HALIDE



Stasis 20W or 39W MR16 Metal Halide
Page 2-10



Stasis 39W or 70W PAR30 Metal Halide
Page 2-10



Stasis 39W or 70W T6 Metal Halide
Page 2-11



Stasis 39W or 70W T6 Metal Halide Wall Wash
Page 2-11

ARCHITECTURAL STASIS INCANDESCENT



Stasis 20W or 39W Ceramic Metal Halide PAR20
Page 2-12



Stasis 70W Ceramic Metal Halide PAR38
Page 2-12



Stasis Incandescent PAR20
Page 2-13



Stasis Incandescent PAR30
Page 2-13



Stasis Incandescent PAR38
Page 2-14



Stasis MR16 Low Voltage
Page 2-14

ARCHITECTURAL SPAN COMPACT FLUORESCENT



Span 24W T5 Fluorescent
Page 2-15



Span 39W T5 Fluorescent
Page 2-15

ARCHITECTURAL SPAN INCANDESCENT



Span Open Back Incandescent PAR30
Page 2-16



Span Closed Back Incandescent PAR30
Page 2-16



Span Low Voltage MR16
Page 2-17



Span Closed Back 75W AR111 12V
Page 2-17

ARCHITECTURAL SYNCHRO CERAMIC METAL HALIDE



Synchro 39W CDMR111 Metal Halide
Page 2-18



Synchro 20W MR16 Metal Halide
Page 2-18



Synchro 39W or 70W Metal Halide PAR30
Page 2-19

ARCHITECTURAL SYNCHRO INCANDESCENT



Synchro Incandescent PAR20
Page 2-19



Synchro Incandescent PAR30
Page 2-20



Synchro Incandescent PAR38
Page 2-20



Synchro Low Voltage AR111
Page 2-21



Synchro Low Voltage MR16
Page 2-21

FLEX TRACK



FLEXIBLE LF4, LF8, LF22

FLEX TRACK CONNECTORS

LF601 Power Feed	2-23
LF602 Clam Shell Track Support.....	2-23
LF602 Track Support.....	2-23
LF603 Power Feed Hub	2-23
LF604 Power Hub Connector.....	2-24
LF605 Power Feed X/T.....	2-24
LF606 Power Hub X/T Connector	2-24

ART GLASS



Small Beret, Large Beret
Page 2-26



Small Blossom, Large Blossom
Page 2-27



Small Dome, Large Dome
Page 2-28



Small Drop, Large Drop
Page 2-29



Small Haloid, Large Haloid
Page 2-30



Small Tube, Large Tube
Page 2-31



Small Trumpet, Large Trumpet
Page 2-32



Cylinder - CYL
Page 2-33

PENDANT CLASSICS



Soft Cone - SCN
Page 2-33



Tall Cone - TCN
Page 2-33



Bullet - MBLT
Page 2-34



Metal Dome - MDME
Page 2-34

LAZER PENDANT



LZR603 Lazer Pendants
Page 2-35

LAZER TRACK KIT



LZR705PL Track Kit
Page 2-35

LINEA LOW VOLTAGE



LV301
Page 2-36



LV303
Page 2-36

SEE PAGE 2-109 FOR NEW PRODUCTS.

LINEA LOW VOLTAGE TRACK SYSTEM

LINEA ACCESSORIES



LV304
Page 2-36



LV306
Page 2-37



LV307
Page 2-37



LV308
Page 2-38



LV310
Page 2-38



LINEA SURFACE MOUNT CHANNEL
LV102, LV104, LV106, LV108
Page 2-39

Power Supplies 2-40
 Extension Wands..... 2-41
 Canopy 2-41
 Transformers..... 2-41
 Electronic Power Supply 2-41

CERAMIC METAL HALIDE MINILUME

CERAMIC METAL HALIDE COMMERCIAL

CERAMIC METAL HALIDE LAZER

COMPACT FLUORESCENT COMMERCIAL



L5300
Page 2-42



L5038
Page 2-42



L5130
Page 2-43



L5138
Page 2-43



LZR510 - ED17
Page 2-44



LZR510
Page 2-44



L3218E
Page 2-45



L3232E
Page 2-45

INCANDESCENT COMMERCIAL ALTO

INCANDESCENT COMMERCIAL BACHETTA



L3239E
Page 2-46



L3240E, L3250E, L3255E
Page 2-46



L3750
Page 2-47



L3751
Page 2-47



L3754
Page 2-47



L3700
Page 2-48



L3703
Page 2-48



L3705
Page 2-48

INCANDESCENT COMMERCIAL FRAMING PROJECTOR

INCANDESCENT COMMERCIAL LOW VOLTAGE SPOT

INCANDESCENT COMMERCIAL PAR STUDIO



L2756
Page 2-49



L1760
Page 2-50



L2701
Page 2-50



L2702
Page 2-51



L2770
Page 2-51



L1820
Page 2-52



L1830
Page 2-52

INCANDESCENT COMMERCIAL STUDIO CLASSICS

INCANDESCENT COMMERCIAL UNIVERSAL



L1838
Page 2-52



L1806
Page 2-53



L1807
Page 2-53



L1808
Page 2-54



L1816
Page 2-54



L1701
Page 2-55

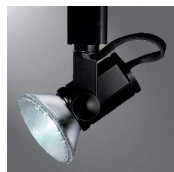


L1702
Page 2-55

INCANDESCENT FLATBACK



L1735
Page 2-55



L4009
Page 2-56



L700
Page 2-56



L702
Page 2-56



L703
Page 2-57



L1763
Page 2-57



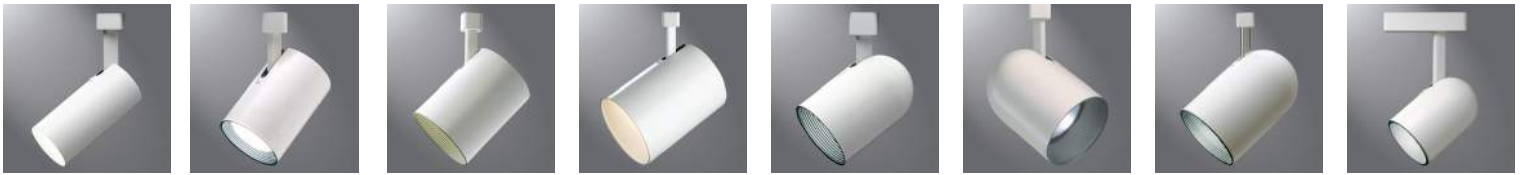
L2761
Page 2-58



L2771
Page 2-58

SEE PAGE 2-109 FOR NEW PRODUCTS.

INCANDESCENT ROUNDBACK ARM MOUNT



L761 Page 2-58 L762 Page 2-59 L763 Page 2-59 L764 Page 2-59 L1540 Page 2-60 L1542 Page 2-60 L1543 Page 2-61 L2740 Page 2-61

INCANDESCENT ROUNDBACK YOKE MOUNT



L1510 Page 2-62 L1511 Page 2-62 L4010 Page 2-62 L4011 Page 2-63 L4012 Page 2-63 L855 Page 2-63 L731 Page 2-64 L732 Page 2-64

INCANDESCENT STEP CYLINDER ARM MOUNT

INCANDESCENT STEP CYLINDER YOKE MOUNT

INCANDESCENT WALL WASH LINEAR

INCANDESCENT WALL WASH SCOOP



L733 Page 2-64 L734 Page 2-65 L1752 Page 2-66 L1753 Page 2-66 L1768 Page 2-67 L1769 Page 2-67

INCANDESCENT GIMBAL LOW VOLTAGE

INCANDESCENT GIMBAL PAR



L2716 Page 2-68 L2717 Page 2-68 L2736 Page 2-69 L2790 Page 2-69 L1730 Page 2-70 L1731 Page 2-70 L1738 Page 2-70

INCANDESCENT LAZER FLATBACK

INCANDESCENT LAZER ROUNDBACK



L1739 Page 2-71 L2738 Page 2-71 LZR307 Page 2-72 LZR308 Page 2-72 LZR301 Page 2-73 LZR302 Page 2-73 LZR303 Page 2-73 LZR311 Page 2-74

INCANDESCENT LAZER STEP CYLINDER

INCANDESCENT LAZER GIMBAL










LZR405 Page 2-74 LZR304 Page 2-75 LZR305 Page 2-75 LZR306 Page 2-75 LZR312 Page 2-76 LZR406 Page 2-76 LZR1320 Page 2-77 LZR1330 Page 2-77

SEE PAGE 2-109 FOR NEW PRODUCTS.

INCANDESCENT LAZER LOW VOLTAGE

							
LZR1338 Page 2-77	LZR316 Page 2-78	LZR330 Page 2-78	LZR338 Page 2-79	LZR401 Page 2-79	LZR402 Page 2-80	LZR403 Page 2-80	LZR404 Page 2-80

TRACK SYSTEMS

						
Single Circuit L650, L651, L652, L653 Page 2-81	Two Circuit L641, L642, L643 Page 2-82	Raceway L611 Page 2-83	Recessed L1651 Page 2-84	Four Circuit L621, L622, L623 Page 2-85	2 Circuit - 120V/277V LA631, LA632, LA633 Page 2-86	Lazer LZR102 Page 2-87

ACCESSORIES

Transformers.....	2-88 and 2-94	Clips	2-92
Converters.....	2-88	Baffle	2-92
Barn Door Shutters.....	2-88 and 2-92	Concentrator	2-93
Hex Cell Louver	2-88	Holders	2-93 and 2-94
MR16 Color Filters.....	2-88	Adapters	2-93 and 2-94
Optical Filters	2-88	LZR510 Accessories	2-95
L4009 Metal Shades.....	2-89	24/12 Volt Lamps	2-95
Assorted Louvers	2-89		
Track Current Limiter.....	2-90		
L1701 and L1702 Accessories.....	2-90		
Color Filters	2-91		
Beam Modifying Lenses.....	2-91		
L252 and L352 Media Holders.....	2-91		

SURFACE GEOMETRICS

SURFACE ROUNDS

							
H2513 Page 2-96	H2562 Page 2-96	H1310 Page 2-96	H1311 Page 2-97	H1312 Page 2-97	H1313 Page 2-97	H1314 Page 2-97	H1315 Page 2-98

							
H1316 Page 2-98	H1318 Page 2-98	H1319 Page 2-98	H2300 Page 2-99	H2310 Page 2-99	H2320 Page 2-99	H2332 Page 2-99	H2335 Page 2-100

SURFACE SCONCES

							
H2351 Page 2-100	H2353 Page 2-100	H2355 Page 2-100	H2520 Page 2-101	H2521, H2525 Page 2-101	H2522, H2523 Page 2-101	H2524 Page 2-101	H2526 Page 2-102

SEE PAGE 2-109 FOR NEW PRODUCTS.

SURFACE SOFT SQUARES



H2528
Page 2-102



H2529
Electronic Ballast
Page 2-102



H2594, H2595
Page 2-102



H1300
Page 2-103



H1301
Page 2-103



H1302
Page 2-103



H1303
Page 2-103



H1304
Page 2-104

SURFACE SQUARES



H1305
Page 2-104



H1306
Page 2-104



H1320
Page 2-105



H1321
Page 2-105



H1322
Page 2-105



H1323
Page 2-105



H1324
Page 2-106



H1325
Page 2-106

SURFACE PENDANTS



H1326
Page 2-106



H2600
Page 2-107



H2601
Page 2-107

SURFACE CLASSICS



H2220
Page 2-107

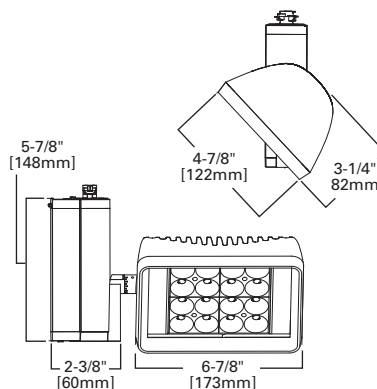
SEE PAGE 2-109 FOR NEW PRODUCTS.

FEATURES

- Various size, wattage and distribution options available
- Small - 8W, Medium - 18W and Large - 38W
- Two color temperatures 3000K and 4000K, both with 85 CRI
- Excellent thermal performance for 70% lumen maintenance at 50,000 hrs
- Die-cast and extruded aluminum housing
- Tight optical distributions available in spot, narrow flood and flood
- Lockable rotation and tilt
- Designed to accept color filters and various media options
- Finishes: White (P), Black (MB) and Aluminum Haze (AH)

Compliances may not apply to all product configurations. Please consult the product spec sheet for compliance details.

COMPLIANCES: UL/cUL Listed



STASIS LED LARGE

ORDERING INFORMATION

SAMPLE NUMBER: L2G805LRGFL830AH277

Track	Stasis LED	Size	Beam	CRI	CCT	Finish	Voltage
L=Halo Power-Trac L2G=Global® TEK or HTEK ¹ LA=Halo Architectural Track	LF=Flexible Track LJ=Juno® Track ² LL=Lightolier® Track ³	805=805 LRG=Large 38W	FL=Flood 37° NF=Narrow Flood 25° SP=Spot 15°	8=85	30=3000°K 40=4000°K	AH=Aluminum Haze MB=Black (L and LA Only) P=White (L and LA Only)	277=277V (Only with LA or HTEK) [Blank]=120V

Accessories (Order Separately)

L827=2700K Lens Kit
L850=Solite® Lens Kit

L8FL=37° Flood Optic Kit
L8NF=25° Narrow Flood Optic Kit

L8SP=15° Spot Optic Kit
L8WW=Wall Wash Optic Kit

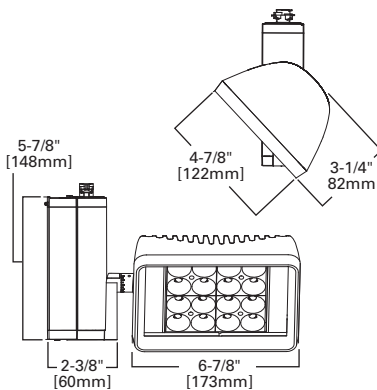
NOTES: 1. Global® is a registered trademark of Nordic Aluminum. 2. Juno® T single circuit and 2-circuit track contact. Juno® is a registered trademark of Juno® Lighting. 3. Lightolier® Lyfspan 6000 single circuit and 2 circuit track contact. Lightolier® is a registered trademark of Philips Lighting.

FEATURES

- Various size, wattage and distribution options available
- 18W and 38W models available
- Two color temperatures 3000K and 4000K, both with 85 CRI
- Excellent thermal performance for 70% lumen maintenance at 50,000 hrs
- Die-cast and extruded aluminum housing
- True asymmetrical wall wash distribution
- Lockable rotation and tilt
- Designed to accept color filters and various media options
- Finishes: White (P), Black (MB) and Aluminum Haze (AH)

Compliances may not apply to all product configurations. Please consult the product spec sheet for compliance details.

COMPLIANCES: UL/cUL Listed



STASIS LED WALL WASH

ORDERING INFORMATION

SAMPLE NUMBER: L805LRGWW830PHO

Track	Stasis LED	Size	Beam	CRI	CCT	Finish	Voltage	Intensity
L=Halo Power-Trac L2G=Global® TEK or HTEK ¹ LA=Halo Architectural Track	LF=Flexible Track LJ=Juno® Track ² LL=Lightolier® Track ³	805=805 LRG=Large 38W	WW=Wall Wash	8=85	30=3000°K 40=4000°K	AH=Aluminum Haze MB=Black (L and LA Only) P=White (L and LA Only)	277=277V (Only with LA or HTEK) [Blank]=120V	[Blank]=18W HO=38W

Accessories (Order Separately)

L827=2700K Lens Kit
L850=Solite® Lens Kit

L8FL=37° Flood Optic Kit
L8NF=25° Narrow Flood Optic Kit

L8SP=15° Spot Optic Kit
L8WW=Wall Wash Optic Kit

NOTES: 1. Global® is a registered trademark of Nordic Aluminum. 2. Juno® T single circuit and 2-circuit track contact. Juno® is a registered trademark of Juno® Lighting. 3. Lightolier® Lyfspan 6000 single circuit and 2 circuit track contact. Lightolier® is a registered trademark of Philips Lighting.



FEATURES

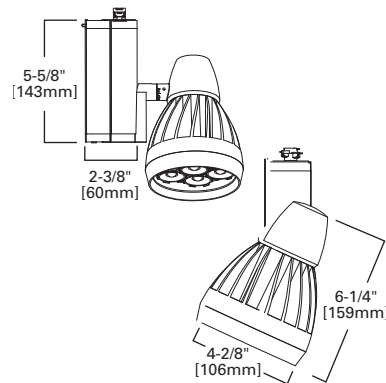
- Various size, wattage and distribution options available
- Small - 8W, Medium - 18W and Large - 38W
- Two color temperatures 3000K and 4000K, both with 85 CRI
- Excellent thermal performance for 70% lumen maintenance at 50,000 hrs
- Die-cast and extruded aluminum housing
- Tight optical distributions available in spot, narrow flood and flood
- Lockable rotation and tilt
- Designed to accept color filters and various media options
- Finishes: White (P), Black (MB) and Aluminum Haze (AH)

Compliances may not apply to all product configurations. Please consult the product spec sheet for compliance details.

COMPLIANCES: UL/cUL Listed



STASIS LED MEDIUM



ORDERING INFORMATION

SAMPLE NUMBER: LA805MEDSP840MB277

Track	Stasis LED	Size	Beam	CRI	CCT	Finish	Voltage
L=Halo Power-Trac L2G=Global® TEK or HTEK ¹ LA=Halo Architectural Track	LF=Flexible Track LJ=Juno® Track ² LL=Lightolier® Track ³	805=805 MED=Medium 18W	FL=Flood 37° NF=Narrow Flood 25° SP=Spot 15°	8=85	30=3000°K 40=4000°K	AH=Aluminum Haze MB=Black (L and LA Only) P=White (L and LA Only)	277=277V (Only with LA or HTEK) [Blank]=120V

Accessories (Order Separately)

L400 Series Color Filters

Glass Filters 3-3/4" (96mm) diameter.
For use with L1830 and L252 Media Holder.
L411=Medium Pink

L412=Warm Red
L420=Daylight Blue
L421=Medium Blue

L431=Medium Amber
L441=Medium Green
L450=Solite®

Media Holder

Accepts up to 2 pieces of media.
LM10530=Media Holder

NOTES: 1. Global® is a registered trademark of Nordic Aluminum. 2. Juno® T single circuit and 2-circuit track contact. Juno® is a registered trademark of Juno® Lighting. 3. Lightolier® Lyfspan 6000 single circuit and 2 circuit track contact. Lightolier® is a registered trademark of Philips Lighting.



FEATURES

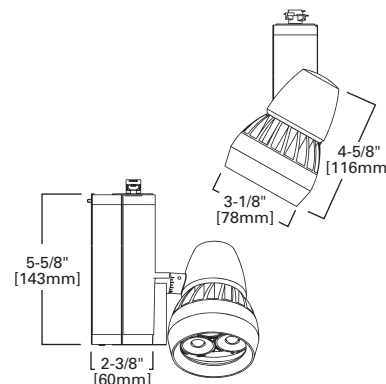
- Various size, wattage and distribution options available
- Small - 8W, Medium - 18W and Large - 38W
- Two color temperatures 3000K and 4000K, both with 85 CRI
- Excellent thermal performance for 70% lumen maintenance at 50,000 hrs
- Die-cast and extruded aluminum housing
- Tight optical distributions available in spot, narrow flood and flood
- Lockable rotation and tilt
- Designed to accept color filters and various media options
- Finishes: White (P), Black (MB) and Aluminum Haze (AH)

Compliances may not apply to all product configurations. Please consult the product spec sheet for compliance details.

COMPLIANCES: UL/cUL Listed



STASIS LED SMALL



ORDERING INFORMATION

SAMPLE NUMBER: L805SMLNF830AH

Track	Stasis LED	Size	Beam	CRI	CCT	Finish	Voltage
L=Halo Power-Trac L2G=Global® TEK or HTEK ¹ LA=Halo Architectural Track	LF=Flexible Track LJ=Juno® Track ² LL=Lightolier® Track ³	805=805 SML=Small, 8W	FL=Flood 37° NF=Narrow Flood 25° SP=Spot 15°	8=85	30=3000°K 40=4000°K	AH=Aluminum Haze MB=Black (L and LA Only) P=White (L and LA Only)	277=277V (Only with LA or HTEK) [Blank]=120V

Accessories (Order Separately)

Color Filters

DIF-20=Solite®
F22-20=Red Gel
F33-20=Medium Blue

F44-20=Medium Green
F55-20=Yellow Gel
F66-20=Mercury
F71-20=Peach Dichroic

F72-20=Amber Dichroic
F73-20=Green Dichroic
F74-20=Medium Blue Dichroic
F75-20=Yellow Dichroic

F76-20=Red Dichroic
F78-20=Light Blue Dichroic
F79-20=Neutral Density
F80-20=Magenta

Media Holder

Accepts up to 2 pieces of media.
LM10520=PAR20 Media Holder

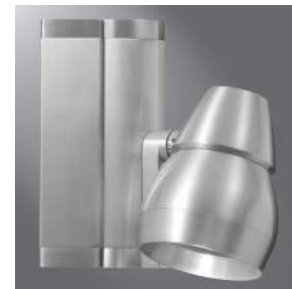
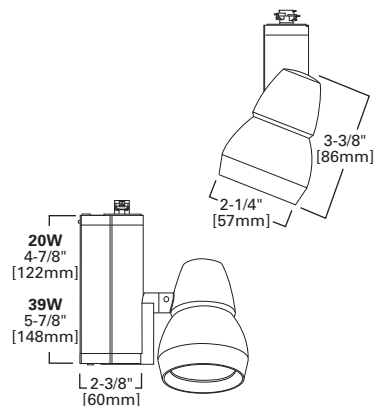
NOTES: 1. Global® is a registered trademark of Nordic Aluminum. 2. Juno® T single circuit and 2-circuit track contact. Juno® is a registered trademark of Juno® Lighting. 3. Lightolier® Lyfspan 6000 single circuit and 2 circuit track contact. Lightolier® is a registered trademark of Philips Lighting.

FEATURES

- Sleek design offers application flexibility
- Extruded and die-cast aluminum housing
- Family supports various lamp and base options
- Lockable rotation and tilt
- Arm allows the lamp housing to tilt to adjust +/-90°
- Color filters, lenses and louvers are available
- Finishes: White (P), Black (MB) and Aluminum Haze (AH)

Compliances may not apply to all product configurations. Please consult the product spec sheet for compliance details.

COMPLIANCES: UL/cUL Listed



STASIS 20W OR 39W MR16 METAL HALIDE

ORDERING INFORMATION

SAMPLE NUMBER: L5051620AH

Track	Lamp Type	Series	Lamp*	Wattage	Finish	Voltage
L=Halo Power-Trac L2G=Global® TEK or HTEK ¹ LA=Halo Architectural Track	LF=Flexible Track LJ=Juno® Track ² LL=Lightolier® Track ³	5=Metal Halide 05=Stasis	16=MR16	20=20W CMH MR16 39=39W CMH MR16	AH=Aluminum Haze MB=Black (L and LA Only) P=White (L and LA Only)	277=277V (Only with LA or HTEK) [Blank]=120V

Accessories (Order Separately)

L100MB=Hex Cell Louver (Requires LM50516)
LM50516P, MB=Lens Holder

L100 Series Color Filters
(Requires LM50516)
L112=Red Gel
L114=Ultraviolet Dichroic
L120=Red Dichroic

L121=Amber Dichroic
L122=Yellow Dichroic
L123=Green Dichroic
L124=Daylight Blue Dichroic

L125=Blue Dichroic
L127=Cosmetic (2700°K) Dichroic
L130=Yellow Gel
L131=Amber Gel

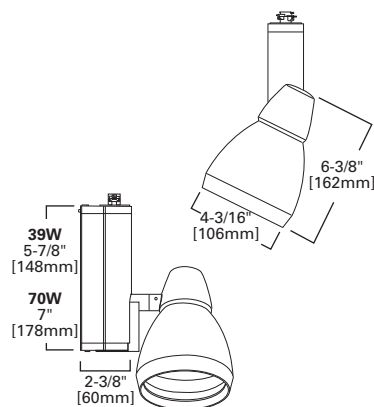
NOTES: *Lamp not included. 1. Global® is a registered trademark of Nordic Aluminum. 2. Juno® T single circuit and 2-circuit track contact. Juno® is a registered trademark of Juno® Lighting. 3. Lightolier® Lyfespan 6000 single circuit and 2 circuit track contact. Lightolier® is a registered trademark of Philips Lighting.

FEATURES

- Sleek design offers application flexibility
- Extruded and die-cast aluminum housing
- Family supports various lamp and base options
- Lockable rotation and tilt
- Arm allows the lamp housing to tilt to adjust +/-90°
- Color filters, lenses and louvers are available
- Finishes: White (P), Black (MB) and Aluminum Haze (AH)

Compliances may not apply to all product configurations. Please consult the product spec sheet for compliance details.

COMPLIANCES: UL/cUL Listed



STASIS 39W OR 70W PAR30 METAL HALIDE

ORDERING INFORMATION

SAMPLE NUMBER: L5053039AH

Track	Lamp Type	Series	Lamp*	Wattage	Finish	Voltage
L=Halo Power-Trac L2G=Global® TEK or HTEK ¹ LA=Halo Architectural Track	LF=Flexible Track LJ=Juno® Track ² LL=Lightolier® Track ³	5=Metal Halide 05=Stasis	30=PAR30 CMH	39=39W CMH PAR30 70=70W CMH PAR30	AH=Aluminum Haze MB=Black P=White	277=277V (Only with LA or HTEK) [Blank]=120V

Accessories (Order Separately)

L274=Cube Cell Louver (Requires LM10530)
LM10530=Lens Holder

L400 Series Color Filters
(Requires LM10530)
L411=Medium Pink

L412=Warm Red
L414=Ultraviolet Filter
L420=Daylight Blue

L421=Medium Blue
L431=Medium Amber
L441=Medium Green

NOTES: *Lamp not included. 1. Global® is a registered trademark of Nordic Aluminum. 2. Juno® T single circuit and 2-circuit track contact. Juno® is a registered trademark of Juno® Lighting. 3. Lightolier® Lyfespan 6000 single circuit and 2 circuit track contact. Lightolier® is a registered trademark of Philips Lighting.



FEATURES

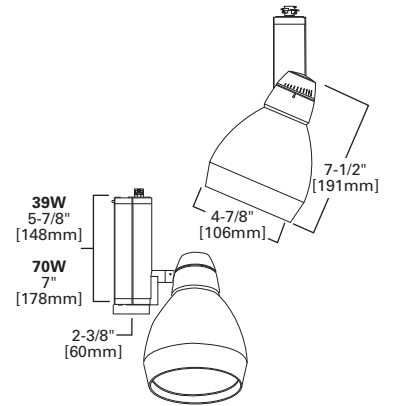
- Sleek design offers application flexibility
- Extruded and die-cast aluminum housing
- Family supports various lamp and base options
- Lockable rotation and tilt
- Arm allows the lamp housing to tilt to adjust +/-90°
- Color filters, lenses and louvers are available
- Finishes: White (P), Black (MB) and Aluminum Haze (AH)

Compliances may not apply to all product configurations. Please consult the product spec sheet for compliance details.

COMPLIANCES: UL/cUL Listed



STASIS 39W OR 70W T6 METAL HALIDE



ORDERING INFORMATION

SAMPLE NUMBER: L505670AH

Track	Lamp Type	Series	Lamp*	Wattage	Finish	Voltage	
L=Halo Power-Trac L2G=Global® TEK or HTEK ¹ LA=Halo Architectural Track	LF=Flexible Track LJ=Juno® Track ² LL=Lightolier® Track ³	5=Metal Halide	05=Stasis	6=T6 CMH	39=39W T6 CMH 70=70W T6 CMH	AH=Aluminum Haze MB=Black P=White	277=277V (Only with LA or HTEK) [Blank]=120V

Accessories (Order Separately)

L275=Cube Cell Louver	L200 Color Filters L211=Medium Pink L212=Warm Red	L214=Ultraviolet L220=Daylight Blue L221=Medium Blue	L231=Medium Amber L241=Medium Green	L200 Series Optical Lenses L210=Linear Spread Lens L215=Radial Spread Lens	L250=Linear Spread Lens L265=Prismatic Spread Lens
-----------------------	---	--	--	--	---

NOTES: *Lamp not included. 1. Global® is a registered trademark of Nordic Aluminum. 2. Juno® T single circuit and 2-circuit track contact. Juno® is a registered trademark of Juno® Lighting. 3. Lightolier® Lyfespan 6000 single circuit and 2 circuit track contact. Lightolier® is a registered trademark of Philips Lighting.



FEATURES

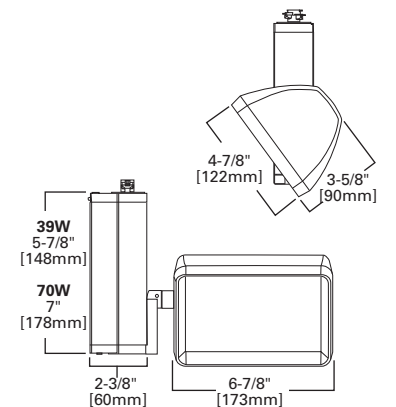
- Sleek design offers application flexibility
- Extruded and die-cast aluminum housing
- Family supports various lamp and base options
- Lockable rotation and tilt
- 180° horizontal rotation and 180° vertical pivot
- Finishes: White (P), Black (MB) and Aluminum Haze (AH)

Compliances may not apply to all product configurations. Please consult the product spec sheet for compliance details.

COMPLIANCES: UL/cUL Listed



STASIS 39W OR 70W T6 MH WALL WASH



ORDERING INFORMATION

SAMPLE NUMBER: LL505WW639MB

Track	Lamp Type	Series	Beam	Lamp*	Wattage	Finish	Voltage	Louver (Order Separately)
L=Halo Power-Trac L2G=Global® TEK or HTEK ¹ LA=Halo Architectural Track LF=Flexible Track LJ=Juno® Track ² LL=Lightolier® Track ³	5=Metal Halide	05=Stasis	WW=Wall Wash	6=T6 CMH	39=39W T6 CMH 70=70W T6 CMH	AH=Aluminum Haze MB=Black P=White	277=277V (Only with LA or HTEK) [Blank]=120V	LVR505WW P, AH, MB=Louver

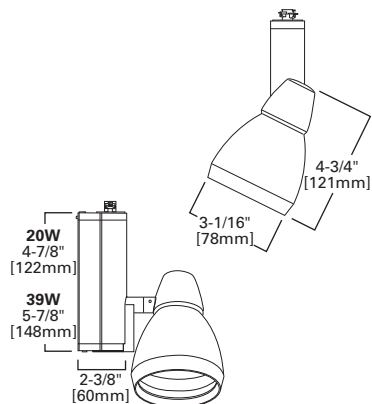
NOTES: *Lamp not included. 1. Global® is a registered trademark of Nordic Aluminum. 2. Juno® T single circuit and 2-circuit track contact. Juno® is a registered trademark of Juno® Lighting. 3. Lightolier® Lyfespan 6000 single circuit and 2 circuit track contact. Lightolier® is a registered trademark of Philips Lighting.

FEATURES

- Sleek design offers application flexibility
- Extruded and die-cast aluminum housing
- Family supports various lamp and base options
- Lockable rotation and tilt
- Arm allows the lamp housing to tilt to adjust +/-90°
- Color filters, lenses and louvers are available
- Finishes: White (P), Black (MB) and Aluminum Haze (AH)

Compliances may not apply to all product configurations. Please consult the product spec sheet for compliance details.

COMPLIANCES: UL/cUL Listed



STASIS 20W OR 39W CMH PAR20

ORDERING INFORMATION

SAMPLE NUMBER: LA5052039WMB277

Track	Lamp Type	Series	Lamp*	Wattage	Finish	Voltage	
L=Halo Power-Trac L2G=Global® TEK or HTEK ¹ LA=Halo Architectural Track	LF=Flexible Track LJ=Juno® Track ² LL=Lightolier® Track ³	5=Metal Halide	05=Stasis	20=PAR20 CMH	20W=20W CMH PAR20 39W=39W CMH PAR20	AH=Aluminum Haze MB=Black P=White	277=277V (Only with LA or HTEK) [Blank]=120V

Accessories (Order Separately)

LM10520=Lens Holder LVR-20=Hex Cell Louver (Requires LM10520)	Color Filters F22-20=Red Gel F33-20=Medium Blue F44-20=Medium Green	F55-20=Yellow Gel F66-20=Mercury F71-20=Peach Dichroic F72-20=Amber Dichroic	F73-20=Green Dichroic F74-20=Medium Blue Dichroic F75-20=Yellow Dichroic F76-20=Red Dichroic	F77-20=Dark Blue Dichroic F78-20=Light Blue Dichroic F79-20=Neutral Density F80-20=Magenta
--	---	---	---	---

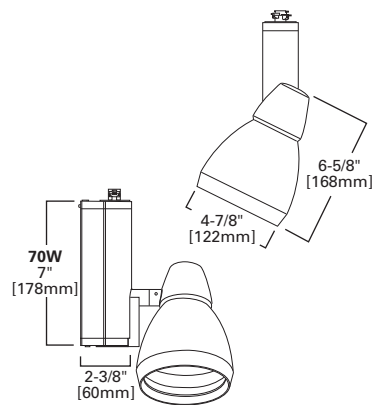
NOTES: *Lamp not included. 1. Global® is a registered trademark of Nordic Aluminum. 2. Juno® T single circuit and 2-circuit track contact. Juno® is a registered trademark of Juno® Lighting. 3. Lightolier® Lyfespan 6000 single circuit and 2 circuit track contact. Lightolier® is a registered trademark of Philips Lighting.

FEATURES

- Sleek design offers application flexibility
- Extruded and die-cast aluminum housing
- Family supports various lamp and base options
- Lockable rotation and tilt
- Arm allows the lamp housing to tilt to adjust +/-90°
- Color filters, lenses and louvers are available
- Finishes: White (P), Black (MB) and Aluminum Haze (AH)

Compliances may not apply to all product configurations. Please consult the product spec sheet for compliance details.

COMPLIANCES: UL/cUL Listed



STASIS 70W CERAMIC METAL HALIDE PAR38

ORDERING INFORMATION

SAMPLE NUMBER: L5053870WMB

Track	Lamp Type	Series	Lamp*	Wattage	Finish	Voltage	
L=Halo Power-Trac L2G=Global® TEK or HTEK ¹ LA=Halo Architectural Track	LF=Flexible Track LJ=Juno® Track ² LL=Lightolier® Track ³	5=Metal Halide	05=Stasis	38=PAR38 CMH	70W=70W CMH PAR38	AH=Aluminum Haze MB=Black P=White	277=277V (Only with LA or HTEK) [Blank]=120V

Accessories (Order Separately)

L275=Cube Cell Louver (Requires LM10538) LM10538=Lens Holder	L200 Color Filters (Requires LM10538) L211=Medium Pink	L212=Warm Red L214=Ultraviolet L220=Daylight Blue	L221=Medium Blue L231=Medium Amber L241=Medium Green
---	---	---	--

NOTES: *Lamp not included. 1. Global® is a registered trademark of Nordic Aluminum. 2. Juno® T single circuit and 2-circuit track contact. Juno® is a registered trademark of Juno® Lighting. 3. Lightolier® Lyfespan 6000 single circuit and 2 circuit track contact. Lightolier® is a registered trademark of Philips Lighting.



FEATURES

- Lampholder tilt and rotation can be locked in place
- Die-cast aluminum body with threaded screw-on bezel
- Finishes: White (P), Black (MB) and Aluminum Haze (AH)
- Lamps: 50W PAR20

Compliances may not apply to all product configurations. Please consult the product spec sheet for compliance details.

COMPLIANCES: UL/cUL Listed



**STASIS
INCANDESCENT
PAR20**

ORDERING INFORMATION

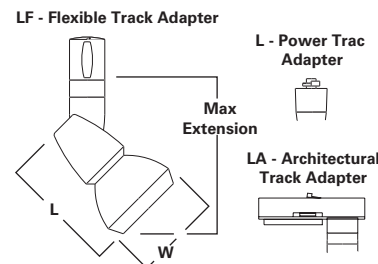
SAMPLE NUMBER: LA10520P

Track	Lamp Type	Series	Lamp*	Finish
L=Halo Power-Trac LA=Halo Architectural Track Systems LF=Flexible Track	1=Incandescent	05=Stasis	20=50W PAR20	AH=Aluminum Haze MB=Black (L and LA Only) P=White (L and LA Only)

Accessories (Order Separately)

DIF-20 =Solite®	Color Filters	F55-20 =Yellow Gel	F73-20 =Green Dichroic	F77-20 =Dark Blue Dichroic
LM10520 =PAR20 Media Holder	F22-20 =Red Gel	F66-20 =Mercury	F74-20 =Medium Blue Dichroic	F78-20 =Light Blue Dichroic
LSL-20 =Linear Spread Lens	F33-20 =Medium Blue	F71-20 =Peach Dichroic	F75-20 =Yellow Dichroic	F79-20 =Neutral Density
LVR-20 =Hex Cell Louver	F44-20 =Medium Green	F72-20 =Amber Dichroic	F76-20 =Red Dichroic	F80-20 =Magenta
OSL-20 =Overall Spread Lens				

NOTES: *Lamp not included.



	L	W	Max Extension
LF Flexible Track	4-3/4" [120mm]	3-3/8" [86mm]	6-5/8" [167mm]
L Power Trac	4-3/4" [120mm]	3-3/8" [86mm]	6-5/8" [167mm]
LA Arch. Track	4-3/4" [120mm]	3-3/8" [86mm]	5-5/8" [142mm]



FEATURES

- Lampholder tilt and rotation can be easily locked in place
- Die-cast aluminum body with threaded screw-on bezel
- Finishes: White (P), Black (MB) and Aluminum Haze (AH)
- Lamp: 75W PAR30

Compliances may not apply to all product configurations. Please consult the product spec sheet for compliance details.

COMPLIANCES: UL/cUL Listed



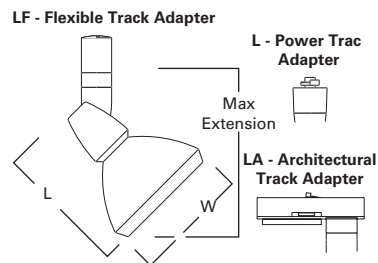
**STASIS
INCANDESCENT
PAR30**

ORDERING INFORMATION

SAMPLE NUMBER: L10530MB

Track	Lamp Type	Series	Lamp*	Finish	Accessories (Order Separately)
L=Halo Power-Trac LA=Halo Architectural Track Systems LF=Flexible Track	1=Incandescent	05=Stasis	30=75W PAR30	AH=Aluminum Haze MB=Black (L and LA Only) P=White (L and LA Only)	LM10530 =PAR30 Media Holder L400 Series Color Filters L411=Medium Pink L412=Warm Red L414=Ultraviolet Filter L420=Daylight Blue L421=Medium Blue L431=Medium Amber L441=Medium Green

NOTES: *Lamp not included.



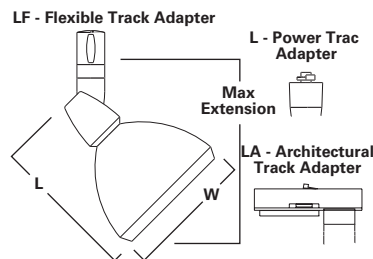
	L	W	Max Extension
LF Flexible Track	5-3/4" [147mm]	5-3/8" [137mm]	7-5/8" [193mm]
L Power Trac	5-3/4" [147mm]	5-3/8" [137mm]	8-1/8" [205mm]
LA Arch. Track	5-3/4" [147mm]	5-3/8" [137mm]	7-1/8" [180mm]

FEATURES

- Lampholder tilt and rotation can be locked in place
- Die-cast aluminum body with threaded screw-on bezel
- Finishes: White (P), Black (MB) and Aluminum Haze (AH)
- Lamps: 150W PAR38

Compliances may not apply to all product configurations. Please consult the product spec sheet for compliance details.

COMPLIANCES: UL/cUL Listed



**STASIS
INCANDESCENT
PAR38**

	L	W	Max Extension
LF Flexible Track	7-5/8" [193mm]	6-3/8" [162mm]	8-7/8" [226mm]
L Power Trac	7-5/8" [193mm]	6-3/8" [162mm]	9-3/8" [238mm]
LA Arch. Track	7-5/8" [193mm]	6-3/8" [162mm]	8-3/8" [213mm]

ORDERING INFORMATION

SAMPLE NUMBER: L10538AH

Track	Lamp Type	Series	Lamp*	Finish	Accessories (Order Separately)
L=Halo Power-Trac LA=Halo Architectural Track Systems LF=Flexible Track	1=Incandescent	05=Stasis	38=150W PAR38	AH=Aluminum Haze MB=Black (L and LA Only) P=White (L and LA Only)	L210=Linear Spread Lens L215=Radial Spread Lens L250=Linear Spread Lens L265=Prismatic Spread Lens L275=Cube Cell Louver LM10538=PAR38 Media Holder L200 Color Filters L211=Medium Pink L212=Warm Red L214=Ultraviolet L220=Daylight Blue L221=Medium Blue L231=Medium Amber L241=Medium Green

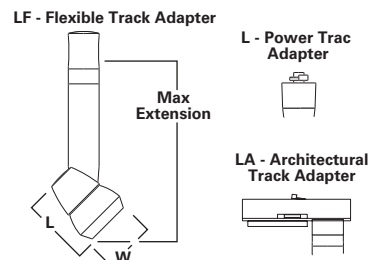
NOTES: *Lamp not included.

FEATURES

- Die-cast aluminum body with threaded screw-on bezel
- Lampholder tilt and rotation can be easily locked in place
- Available media holder can accommodate two pieces of media
- Cover glass for use with non-open fixture rated lamps included
- Finishes: White (P), Black (MB) and Aluminum Haze (AH)
- Lamps: 50W MR16

Compliances may not apply to all product configurations. Please consult the product spec sheet for compliance details.

COMPLIANCES: UL/cUL Listed



**STASIS MR16
LOW VOLTAGE**

	L	W	Max Extension
LF Flexible Track	3-1/8" [78mm]	2-1/2" [63mm]	7-11/16" [196mm]
L Power Trac	3-1/8" [78mm]	2-1/2" [63mm]	8-3/16" [208mm]
LA Arch. Track	3-1/8" [78mm]	2-1/2" [63mm]	7-3/16" [182mm]

ORDERING INFORMATION

SAMPLE NUMBER: LF20516AH

Track	Lamp Type	Series	Lamp*	Finish	Accessories (Order Separately)
L=Halo Power-Trac LA=Halo Architectural Track Systems LF=Flexible Track	2=Low Voltage	05=Stasis	16=50W MR16	AH=Aluminum Haze MB=Black (L and LA) P=White (L and LA)	L100=Series Lenses L100MB=Hex Cell Louver (50W Max.) L100 Series Color Filters L112=Red Gel L114=Ultraviolet Dichroic L120=Red Dichroic L121=Amber Dichroic L122=Yellow Dichroic L123=Green Dichroic L124=Daylight Blue Dichroic L125=Blue Dichroic L127=Cosmetic (2700°K) Dichroic L130=Yellow Gel L131=Amber Gel L100 Series Optical Lenses L110N=Diffuse Sandblasted Lens L111=Soft Focus Textured Lens L113=Prismatic Spread Lens L115=Linear Spread Lens

NOTES: *Lamp not included.



**SPAN 24W T5
FLUORESCENT**

FEATURES

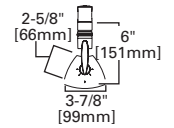
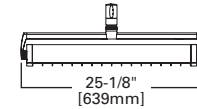
- Architecturally designed wall wash fixture
- Utilizes T5HO lamp technology
- Incorporates either one or two lamps in 24W
- Lockable rotation and tilt
- Yoke design allows for maximum aiming adjustability
- Integral fuse and on/off switch
- Finishes: White (P), Black (MB) and Aluminum Haze (AH)

Compliances may not apply to all product configurations. Please consult the product spec sheet for compliance details.

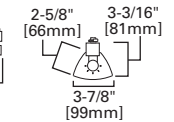
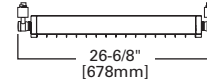
COMPLIANCES: UL/cUL Listed, EMI/RFI Compliant



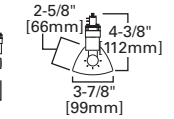
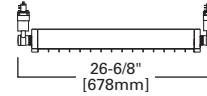
LF - Flexible Track



L - Power Trac



LA - Architectural Track



ORDERING INFORMATION

SAMPLE NUMBER: LF4025D24AH

Track	Lamp Type	Series	Lamp	Number of Lamps (Lamps Not Included)	Wattage	Finish
L=Halo Power-Trac LA=Architectural Track LF=Flexible Track	4=Fluorescent	02=Span	5=T5	[Blank]=1 Lamp D=2 Lamps	24=24W	AH=Aluminum Haze MB=Black (L and LA Only) P=White (L and LA Only)

NOTES: Lamp not included.



**SPAN 39W T5
FLUORESCENT**

FEATURES

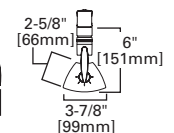
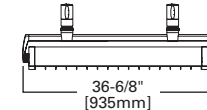
- Architecturally designed wall wash fixture
- Utilizes T5HO lamp technology
- Incorporates either one or two lamps in 39W
- Lockable rotation and tilt
- Yoke design allows for maximum aiming adjustability
- Integral fuse and on/off switch
- Finishes: White (P), Black (MB) and Aluminum Haze (AH)

Compliances may not apply to all product configurations. Please consult the product spec sheet for compliance details.

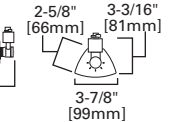
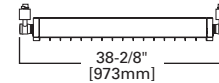
COMPLIANCES: UL/cUL Listed, EMI/RFI Compliant



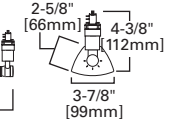
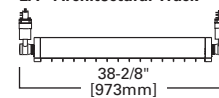
LF - Flexible Track



L - Power Trac



LA - Architectural Track



ORDERING INFORMATION

SAMPLE NUMBER: LF4025D39AH

Track	Lamp Type	Series	Lamp*	Number of Lamps	Wattage	Finish
L=Halo Power-Trac LA=Architectural Track LF=Flexible Track	4=Fluorescent	02=Span	5=T5	[Blank]=1 Lamp D=2 Lamps	39=39W	AH=Aluminum Haze MB=Black (L and LA Only) P=White (L and LA Only)

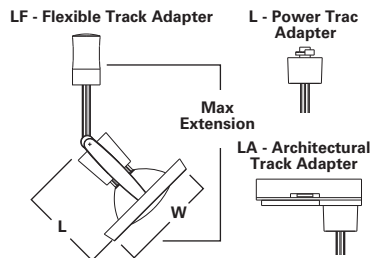
NOTES: *Lamp not included.

FEATURES

- Family of open-back and closed-back styles offering design flexibility
- Arm allows 330° rotation and 0° to 90° vertical pivot
- Die-cast aluminum housing provides durability and thermal performance
- Accessories include color filters, lenses and a cube louver
- Finishes: White (P), Black (MB) and Aluminum Haze (AH)

Compliances may not apply to all product configurations. Please consult the product spec sheet for compliance details.

COMPLIANCES: UL/cUL Listed



	L	W	Max Extension
LF Flexible Track	4-1/2" [114mm]	5-3/8" [55mm]	8-1/2" [216mm]
L Power Track	4-1/2" [114mm]	5-3/8" [55mm]	9-1/2" [240mm]
LA Arch. Track	4-1/2" [114mm]	5-3/8" [55mm]	9-7/8" [251mm]



SPAN OPEN BACK INCANDESCENT PAR30

ORDERING INFORMATION

SAMPLE NUMBER: L10230AH

Track	Lamp Type	Series	Style	Lamp*	Finish
L=Halo Power-Trac LA=Halo Architectural Track LF=Flexible Track	1=Incandescent	02=Span	[Blank]=Open Back	30=75W PAR30	AH=Aluminum Haze MB=Black (L and LA Only) P=White (L and LA Only)
Accessories (Order Separately)					
L275=Cube Cell Louver LM102111AH=Media Holder LM10230AH=Media Holder	L200 Color Filters L211=Medium Pink L212=Warm Red L214=Ultraviolet	L220=Daylight Blue L221=Medium Blue L231=Medium Amber L241=Medium Green	L200 Series Optical Lenses L210=Linear Spread Lens L215=Radial Spread Lens	L250=Linear Spread Lens L265=Prismatic Spread Lens	

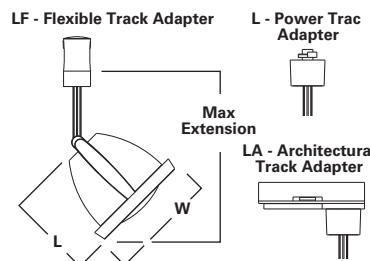
NOTES: *Lamp not included.

FEATURES

- Family of open-back and closed-back styles offering design flexibility
- Arm allows 330° rotation and 0° to 90° vertical pivot
- Die-cast aluminum housing provides durability and thermal performance
- Accessories include color filters, lenses and a cube louver
- Finishes: White (P), Black (MB) and Aluminum Haze (AH)

Compliances may not apply to all product configurations. Please consult the product spec sheet for compliance details.

COMPLIANCES: UL/cUL Listed



	L	W	Max Extension
LF Flexible Track	4-1/2" [114mm]	5-3/8" [55mm]	8-1/2" [216mm]
L Power Track	4-1/2" [114mm]	5-3/8" [55mm]	9-1/2" [240mm]
LA Arch. Track	4-1/2" [114mm]	5-3/8" [55mm]	9-7/8" [251mm]



SPAN CLOSED BACK INCANDESCENT PAR30

ORDERING INFORMATION

SAMPLE NUMBER: LF102CB30AH

Track	Lamp Type	Series	Style	Lamp*	Finish	Accessories
L=Halo Power-Trac LA=Halo Architectural Track LF=Flexible Track	1=Incandescent	02=Span	CB=Closed Back	30=75W PAR30	AH=Aluminum Haze MB=Black (L and LA Only) P=White (L and LA Only)	L275=Cube Cell Louver LM102111AH=Media Holder LM10230AH=Media Holder L200 Color Filters L211=Medium Pink L212=Warm Red L214=Ultraviolet L220=Daylight Blue
						L221=Medium Blue L231=Medium Amber L241=Medium Green L200 Series Optical Lenses L210=Linear Spread Lens L215=Radial Spread Lens L250=Linear Spread Lens L265=Prismatic Spread Lens

NOTES: *Lamp not included.



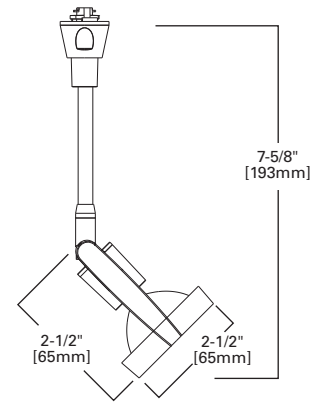
SPAN LOW VOLTAGE MR16

FEATURES

- Family of open-back and closed-back styles offering design flexibility
- Available with low voltage MR16 and line voltage PAR30 lamp types
- Arm allows 330° rotation and 0° to 90° vertical pivot
- Die-cast aluminum housing provides durability and thermal performance
- Accessories include color filters, lenses and a cube louver
- Finishes: White (P), Black (MB) and Aluminum Haze (AH)
- Lamps: 50W MR16 12V

Compliances may not apply to all product configurations. Please consult the product spec sheet for compliance details.

COMPLIANCES: UL/cUL Listed



ORDERING INFORMATION

SAMPLE NUMBER: LV202CB16AH

Track	Lamp Type	Series	Style	Lamp*	Finish	Accessories (Ordered Separately)		
LV=Linea Track	2=Low Voltage	02=Span	[Blank]=Open Back CB=Closed Back	16=50W MR16	AH=Aluminum Haze	L100MB=Hex Cell Louver LF2LV=Architectural Flexible Converter LM20216AH=Media Holder	L120=Red Dichroic L121=Amber Dichroic L122=Yellow Dichroic L123=Green Dichroic L124=Daylight Blue Dichroic	L125=Blue Dichroic L127=Cosmetic (2700°K) Dichroic L130=Yellow Gel L131=Amber Gel
						L100 Series Lenses L112=Red Gel L114=Ultraviolet Dichroic		

NOTES: *Lamp not included.



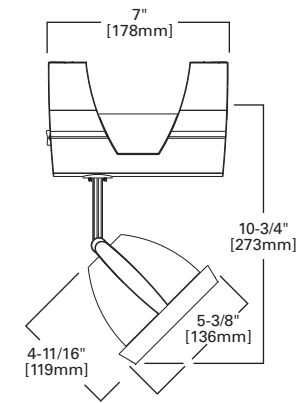
SPAN CLOSED BACK 75W AR111 12V

FEATURES

- Family of open-back and closed-back styles offering design flexibility
- Incandescent AR111 75W front loading 12V
- Arm allows 330° rotation and 0° to 90° vertical pivot
- Die-cast aluminum housing provides durability and thermal performance
- Accessories include color filters, lenses and a cube louver
- Finishes: White (P), Black (MB) and Aluminum Haze (AH)

Compliances may not apply to all product configurations. Please consult the product spec sheet for compliance details.

COMPLIANCES: UL/cUL Listed



ORDERING INFORMATION

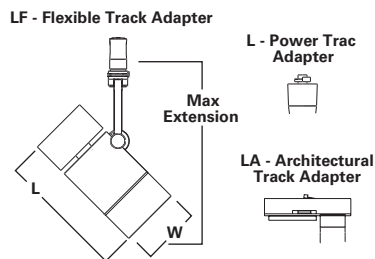
SAMPLE NUMBER: LF202CB111AH

Track	Lamp Type	Series	Style	Lamp*	Finish	Accessories (Ordered Separately)		
LF=Flexible Track	2=Low Voltage	02=Span	CB=Closed Back	111=75W AR111	AH=Aluminum Haze	L274MB=Cube Cell Louver	L414=Ultraviolet Dichroic L420=Daylight Blue Dichroic L421=Medium Blue Dichroic L431=Medium Amber Dichroic L441=Medium Green	
						L400 Series Color Filters L411=Medium Pink L412=Warm Red Dichroic		

NOTES: *Lamp not included.

FEATURES

- Highly architectural cylindrical design
- Machined, extruded and die-cast aluminum construction
- Aluminum die-cast yoke allows maximum aiming adjustability
- Graduated aiming guide for precise aiming of fixture
- Finishes: White (P), Black (MB) and Aluminum Haze (AH)
- Lamps: 39W CDMR111



SYNCHRO 39W CDMR111 METAL HALIDE

	L	W	Max Extension
LF Flexible Track	10-1/2" [266mm]	5" [127mm]	14-3/4" [374mm]
L Power Trac	10-1/2" [266mm]	5" [127mm]	15-1/4" [387mm]
LA Arch. Track	10-1/2" [266mm]	5" [127mm]	15-5/16" [389mm]

ORDERING INFORMATION

SAMPLE NUMBER: LF50611139AH

Track	Lamp Type	Series	Lamp*	Wattage	Finish	Voltage
L=Halo Power-Trac LA=Halo Architectural Track LF=Flexible Track	5=Metal Halide	06=Synchro	111=39W CDMR 111	39=39W	AH=Aluminum Haze MB=Black (L and LA Only) P=White (L and LA Only)	277=277V (LA Trac Only) [Blank]=120V

Accessories (Order Separately)

L275=Cube Cell Louver	L200 Series Color Filters L211=Medium Pink L212=Warm Red L214=Ultraviolet	L220=Daylight Blue L221=Medium Blue L231=Medium Amber L241=Medium Green	L200 Series Optical Lenses L210=Linear Spread Lens L215=Radial Spread Lens	L250=Linear Spread Lens L265=Prismatic Spread Lens
-----------------------	---	--	---	---

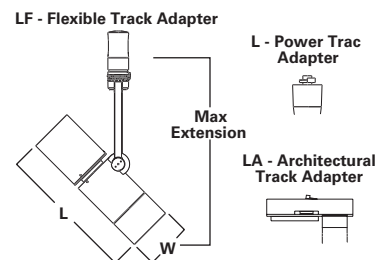
NOTES: *Lamp not included.

FEATURES

- Highly architectural cylindrical design
- Machined, extruded and die-cast aluminum construction
- Aluminum die-cast yoke allows maximum aiming adjustability
- Graduated aiming guide for precise aiming of fixture
- 330° rotation and 0° to 90° vertical pivot
- Finishes: White (P), Black (MB) and Aluminum Haze (AH)
- Lamps: 20W MR16 Ceramic Metal Halide

Compliances may not apply to all product configurations. Please consult the product spec sheet for compliance details.

COMPLIANCES: UL/cUL Listed, EMI/RFI Compliant



SYNCHRO 20W MR16 METAL HALIDE

	L	W	Max Extension
LF Flexible Track	9-3/8" [239mm]	3" [76mm]	12-5/8" [320mm]
L Power Trac	9-3/8" [239mm]	3" [76mm]	13" [330mm]
LA Arch. Track	9-3/8" [239mm]	3" [76mm]	13-3/4" [349mm]

ORDERING INFORMATION

SAMPLE NUMBER: LF5061620AH

Track	Lamp Type	Series	Lamp*	Wattage	Finish
L=Halo Power-Trac LA=Halo Architectural Track LF=Flexible Track	5=Metal Halide	06=Synchro	16=20W CMH MR16	20=20W	AH=Aluminum Haze MB=Black (L and LA Only) P=White (L and LA Only)

Accessories (Order Separately)

Beam Modifying Lenses DIF-20=Diffuse Lens LSL-20=Linear Spread Lens OSL-20=Overall Spread Lens	Color Filters F22-20=Red Gel F33-20=Medium Blue F44-20=Medium Green	F55-20=Yellow Gel F66-20=Mercury F71-20=Peach Dichroic F72-20=Amber Dichroic	F73-20=Green Dichroic F74-20=Medium Blue Dichroic F75-20=Yellow Dichroic F76-20=Red Dichroic	F77-20=Dark Blue Dichroic F78-20=Light Blue Dichroic F79-20=Neutral Density F80-20=Magenta	Hex Cell Louver LVR-20=Hex Cell Louver
--	---	---	---	---	--

NOTES: *Lamp not included.



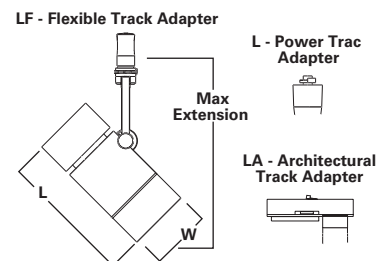
**SYNCHRO 39W
OR 70W METAL
HALIDE PAR30**

FEATURES

- Highly architectural cylindrical design
- Fixtures supporting 20W, 39W and 70W options
- Machined, extruded and die-cast aluminum construction
- Aluminum die-cast yoke allows maximum aiming adjustability
- Graduated aiming guide for precise aiming of fixture
- Finishes: White (P), Black (MB) and Aluminum Haze (AH)
- Lamps: 39W and 70W PAR30 CMH

Compliances may not apply to all product configurations. Please consult the product spec sheet for compliance details.

COMPLIANCES: UL/cUL Listed, EMI/RFI Compliant



	L	W	Max Extension
LF Flexible Track	10-1/2" [266mm]	5" [127mm]	14-3/4" [374mm]
L Power Trac	10-1/2" [266mm]	5" [127mm]	15-1/4" [387mm]
LA Arch. Track	10-1/2" [266mm]	5" [127mm]	15-5/16" [389mm]

ORDERING INFORMATION^Δ

SAMPLE NUMBER: LF5063039AH

Track	Lamp Type	Series	Lamp*	Wattage	Finish	Accessories (Order Separately)
L=Halo Power-Trac LA=Halo Architectural Track LF=Flexible Track	5=Metal Halide	06=Synchro	30=PAR30	39=39W 70=70W	AH=Aluminum Haze MB=Black (L and LA and LR Only) P=White (L and LA and LR only)	L275 =Cube Cell Louver L200 Series Color Filters L211=Medium Pink L212=Warm Red L214=Ultraviolet L220=Daylight Blue L221=Medium Blue L231=Medium Amber L241=Medium Green L200 Series Optical Lenses L210=Linear Spread Lens L215=Radial Spread Lens L250=Linear Spread Lens L265=Prismatic Spread Lens

NOTES: *Lamp not included. Δ Product is only available in 120 volts.



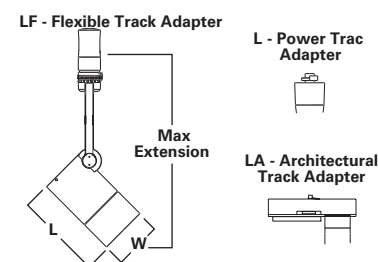
**SYNCHRO
INCANDESCENT
PAR20**

FEATURES

- Stylish family includes incandescent and metal halide options
- Machined, extruded and die-cast aluminum cylinders
- Tool-less lockable rotation and tilt
- Graduated dials for precise aiming of fixtures
- Aluminum die-cast yoke allows for maximum aiming adjustability
- 330° rotation and 0° to 90° vertical pivot
- Finishes: White (P), Black (MB) and Aluminum Haze (AH)
- Lamps: 50W PAR20

Compliances may not apply to all product configurations. Please consult the product spec sheet for compliance details.

COMPLIANCES: UL/cUL Listed



	L	W	Max Extension
LF Flexible Track	5-3/8" [132mm]	3" [76mm]	12" [294mm]
L Power Trac	5-3/8" [132mm]	3" [76mm]	13" [330mm]
LA Arch. Track	5-3/8" [132mm]	3" [76mm]	13-3/16" [335mm]

ORDERING INFORMATION^Δ

SAMPLE NUMBER: LF10620AH

Track	Lamp Type	Series	Lamp*	Finish	Accessories (Order Separately)
L=Halo Power-Trac LA=Halo Architectural Track LF=Flexible Track	1=Incandescent	06=Synchro	20=50W PAR20	AH=Aluminum Haze MB=Black (L and LA Only) P=White (L and LA Only)	LVR-20 =Hex Cell Louver Beam Modifying Lenses DIF-20=Diffuse Lens LSL-20=Linear Spread Lens OSL-20=Overall Spread Lens Color Filters F22-20=Red Gel F33-20=Medium Blue F44-20=Medium Green F55-20=Yellow Gel F66-20=Mercury F71-20=Peach Dichroic F72-20=Amber Dichroic F73-20=Green Dichroic F74-20=Medium Blue Dichroic F75-20=Yellow Dichroic F76-20=Red Dichroic F77-20=Dark Blue Dichroic F78-20=Light Blue Dichroic F79-20=Neutral Density F80-20=Magenta

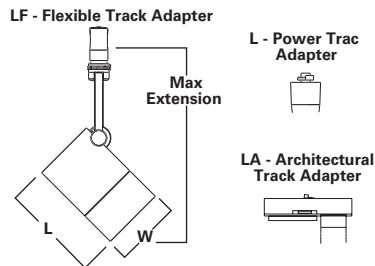
NOTES: *Lamp not included. Δ Remove beveled spacer when 2 or 3 media are used.

FEATURES

- Stylish family includes incandescent and metal halide options
- Machined, extruded and die-cast aluminum cylinders
- Tool-less lockable rotation and tilt
- Graduated dials for precise aiming of fixtures
- Aluminum die-cast yoke allows for maximum aiming adjustability
- Finishes: White (P), Black (MB) and Aluminum Haze (AH)
- Lamps: 75W PAR30

Compliances may not apply to all product configurations. Please consult the product spec sheet for compliance details.

COMPLIANCES: UL/cUL Listed



**SYNCHRO
INCANDESCENT
PAR30**

	L	W	Max Extension
LF Flexible Track	7-9/16" [192mm]	5" [127mm]	14-3/4" [374mm]
L Power Trac	7-9/16" [192mm]	5" [127mm]	15-1/4" [387mm]
LA Arch. Track	7-9/16" [192mm]	5" [127mm]	15-5/16" [389mm]

ORDERING INFORMATION

SAMPLE NUMBER: LF10630AH

Track	Lamp Type	Series	Lamp*	Finish	Accessories (Order Separately)
L=Halo Power-Trac LA=Halo Architectural Track LF=Flexible Track	1=Incandescent	06=Synchro	30=75W PAR30	AH=Aluminum Haze MB=Black (L and LA Only) P=White (L and LA Only)	L275 =Cube Cell Louver L200 Series Color Filters L211=Medium Pink L212=Warm Red L214=Ultraviolet L220=Daylight Blue L221=Medium Blue L231=Medium Amber L241=Medium Green L200 Series Optical Lenses L210=Linear Spread Lens L215=Radial Spread Lens L250=Linear Spread Lens L265=Prismatic Spread Lens

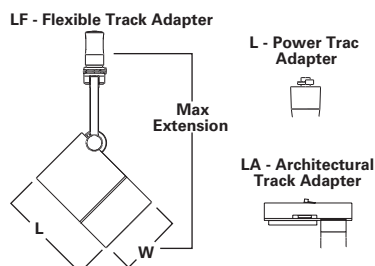
NOTES: *Lamp not included.

FEATURES

- Stylish family includes incandescent and metal halide options
- Machined, extruded and die-cast aluminum cylinders
- Tool-less lockable rotation and tilt
- Graduated dials for precise aiming of fixtures
- Aluminum die-cast yoke allows for maximum aiming adjustability
- 330° rotation and 0° to 90° vertical pivot
- Finishes: White (P), Black (MB) and Aluminum Haze (AH)
- Lamps: 250W PAR38

Compliances may not apply to all product configurations. Please consult the product spec sheet for compliance details.

COMPLIANCES: UL/cUL Listed



**SYNCHRO
INCANDESCENT
PAR38**

	L	W	Max Extension
LF Flexible Track	8-7/8" [226mm]	5-1/2" [140mm]	16-1/4" [412mm]
L Power Trac	8-7/8" [226mm]	5-1/2" [140mm]	17" [431mm]
LA Arch. Track	8-7/8" [226mm]	5-1/2" [140mm]	16-3/4" [426mm]

ORDERING INFORMATION

SAMPLE NUMBER: LF10638AH

Track	Lamp Type	Series	Lamp*	Finish	Accessories (Order Separately)
L=Halo Power-Trac LA=Halo Architectural Track LF=Flexible Track	1=Incandescent	06=Synchro	38=250W PAR38	AH=Aluminum Haze MB=Black (L and LA Only) P=White (L and LA Only)	L275 =Cube Cell Louver L200 Series Color Filters L211=Medium Pink L212=Warm Red L214=Ultraviolet L220=Daylight Blue L221=Medium Blue L231=Medium Amber L241=Medium Green L200 Series Optical Lenses L210=Linear Spread Lens L215=Radial Spread Lens L250=Linear Spread Lens L265=Prismatic Spread Lens

NOTES: *Lamp not included.

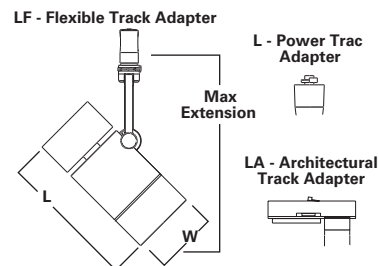


SYNCHRO LOW VOLTAGE AR111

FEATURES

- Stylish family includes incandescent and metal halide options
- Machined, extruded and die-cast aluminum cylinders
- Tool-less lockable rotation and tilt
- Graduated dials for precise aiming of fixtures
- Aluminum die-cast yoke allows for maximum aiming adjustability
- Arm allows 330° rotation and 0° to 90° vertical pivot
- Finishes: White (P), Black (MB) and Aluminum Haze (AH)
- Lamps: 75W AR111

Compliances may not apply to all product configurations. Please consult the product spec sheet for compliance details.
COMPLIANCES: UL/cUL Listed



	L	W	Max Extension
LF Flexible Track	10-1/2" [266mm]	5" [127mm]	14-3/4" [374mm]
L Power Trac	10-1/2" [266mm]	5" [127mm]	15-1/4" [387mm]
LA Arch. Track	10-1/2" [266mm]	5" [127mm]	15-2/8" [389mm]

ORDERING INFORMATION^Δ

SAMPLE NUMBER: LF206111AH

Track	Lamp Type	Series	Lamp*	Finish	Accessories (Order Separately)		
L=Halo Power-Trac LA=Halo Architectural Track LF=Flexible Track	2=Low Voltage	06=Synchro	111=75W AR111	AH=Aluminum Haze MB=Black (L and LA Only) P=White (L and LA Only)	L275=Cube Cell Louver L200 Series Color Filters L211=Medium Pink L212=Warm Red	L214=Ultraviolet L220=Daylight Blue L221=Medium Blue L231=Medium Amber L241=Medium Green	L200 Series Optical Lenses L210=Linear Spread Lens L215=Radial Spread Lens L250=Linear Spread Lens L265=Prismatic Spread Lens

NOTES: *Lamp not included. Δ Product incorporates a 120 volt to 12 volt electronic step-down transformer. Δ Unless otherwise specified product is only available in 120 volts.

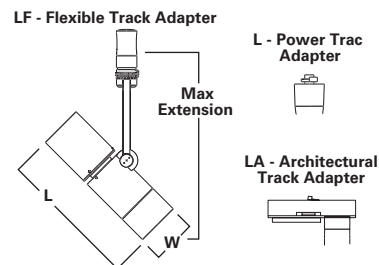


SYNCHRO LOW VOLTAGE MR16

FEATURES

- Stylish family includes incandescent and metal halide options
- Machined, extruded and die-cast aluminum cylinders
- Tool-less lockable rotation and tilt
- Graduated dials for precise aiming of fixtures
- Aluminum die-cast yoke allows for maximum aiming adjustability
- Finishes: White (P), Black (MB) and Aluminum Haze (AH)
- Lamps: 50W MR16

Compliances may not apply to all product configurations. Please consult the product spec sheet for compliance details.
COMPLIANCES: UL/cUL Listed



	L	W	Max Extension
LF Flexible Track	9-3/8" [239mm]	3" [76mm]	12-5/8" [320mm]
L Power Trac	9-3/8" [239mm]	3" [76mm]	13" [330mm]
LA Arch. Track	9-3/8" [239mm]	3" [76mm]	13-3/4" [349mm]

ORDERING INFORMATION^Δ

SAMPLE NUMBER: LF20616AH

Track	Lamp Type	Series	Lamp*	Finish	Accessories (Order Separately)		
L=Halo Power-Trac LA=Halo Architectural Track LF=Flexible Track	2=Low Voltage	06=Synchro	16=50W MR16	AH=Aluminum Haze MB=Black (L and LA Only) P=White (L and LA Only)	LVR-20=Hex Cell Louver Beam Modifying Lenses DIF-20=Diffuse Lens LSL-20=Linear Spread Lens OSL-20=Overall Spread Lens	Color Filters F22-20=Red Gel F33-20=Medium Blue F44-20=Medium Green F55-20=Yellow Gel F66-20=Mercury F71-20=Peach Dichroic F72-20=Amber Dichroic	F73-20=Green Dichroic F74-20=Medium Blue Dichroic F75-20=Yellow Dichroic F76-20=Red Dichroic F77-20=Dark Blue Dichroic F78-20=Light Blue Dichroic F79-20=Neutral Density F80-20=Magenta

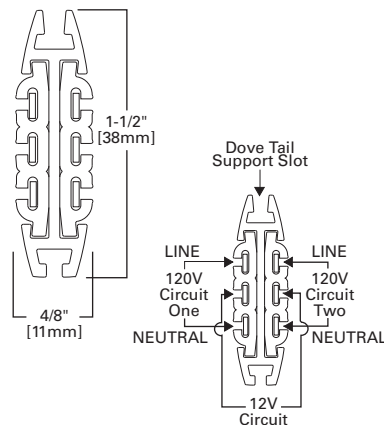
NOTES: *Lamp not included. Δ Unless otherwise specified product is only available in 120 volts.

FEATURES

- 3 circuit system with two 120V / 20A and one 12V / 25A
- Extruded aluminum I-beam 0.060" nominal wall thickness
- Nickel-plated, solid copper buss bars
- Extruded polyvinyl insulators
- Grounding is accomplished through a grounding channel in the track
- Two 120V / 20A circuits with dedicated neutrals
- Third Circuit is 12V / 25A
- Can be field cut and bent to custom lengths and shapes
- Finishes: Aluminum Haze (AH)

Compliances may not apply to all product configurations. Please consult the product spec sheet for compliance details.

COMPLIANCES: UL/cUL Listed



3-CIRCUIT FLEXIBLE TRACK

ORDERING INFORMATION

SAMPLE NUMBER: LF4AH

Track	Length	Finish	Connectors (Order Separately)
LF=Flexible Track	4=4' 8=8'	AH=Aluminum Haze	<p>Accessories LF610AH=T-Bar Adapter LF611=45° Pendant LF612AH=Dead End LF614=Cable Suspension Kit LFC1=Clamp Installation Tool LFHR1=Hand Roller Installation Tool</p> <p>Converters LA1L=120V Halo Architectural Converter LF2005=50W Architectural Flexible Transformer LF2006=50W Architectural Flexible Transformer LF2LV=Architectural Flexible Converter LF30012012AH=300W Architectural Flexible Transformer</p> <p>Feed with Stem/Canopy LF60112AH=12V Feed with Stem/Canopy LF601AH=120V Feed with Stem/Canopy</p> <p>Straight Connectors LF608AH=Straight Connector - Conductive LF608N12AH=Straight Connector - 120V Conductive, 12V Non-conductive LF608NAH=Straight Connector - Non Conductive</p> <p>Track Support LF602AH=Clam Shell Track Support Stem with Small Canopy (Non-conductive) LF602AH4=4" Clam Shell Track Support Stem with Canopy (Non-conductive)</p> <p>Variable Connectors LF607AH=Variable Connector - Conductive LF607N12AH=Variable Connector - 120V Conductive, 12V Non-conductive LF607NAH=Variable Connector - Non-conductive</p>

CONNECTORS AND ACCESSORIES



LF607 Variable Connector

LF608 Straight Connector

LF610 T-Bar Adapter

LF612AH Dead End

LF614 Cable Suspension

L2005 Power-Trac Transformer

LF2005 50W Transformer

LF2006 50W Transformer

LF2LV Converter

LF30012012 300W Transformer

LFC1 Cutting Guide

LFHR1 Hand Roller

Specifications and dimensions subject to change without notice. Consult your Cooper Lighting Representative or visit www.cooperlighting.com for available options, accessories and ordering information.



LF601 POWER FEED

FEATURES

- LF601: 120V power feed, feeds one 120V circuit only
- LF60112: 12V power feed, remote 12V transformer required to energize
- Finishes: Aluminum Haze (AH)

ORDERING INFORMATION

SAMPLE NUMBER: LF601AH12

Accessory	Voltage	Finish	Length	
LF601=Power Feed with Stem Canopy	12=12V [Blank]=120V	AH=Aluminum Haze	12=12" 18=18" 24=24" 36=36"	4=4" 48=48" 6=6" 96=96"



LF602 CLAM SHELL TRACK SUPPORT

FEATURES

- Rigid stem with clam shell attachment supports the track
- 4" length not suitable for use in Canada
- Finishes: Aluminum Haze (AH)

ORDERING INFORMATION

SAMPLE NUMBER: LF602AH12

Accessory	Finish	Length	
LF602=Clam Shell Track Support Stem with Small Canopy (Non-conductive)	AH=Aluminum Haze	Ceiling to bottom of track 12=12" 18=18"	24=24" 36=36" 48=48" 6=6" 96=96"



LF602 TRACK SUPPORT

FEATURES

- 4" rigid stem with clam shell attachment supports the track
- 4" length not suitable for use in Canada
- Finishes: Aluminum Haze (AH)

ORDERING INFORMATION

SAMPLE NUMBER: LF602AH4

Accessory	Finish	Length
LF602=4" Clam Shell Track Support Stem with Canopy (Non-conductive)	AH=Aluminum Haze	4=4"



LF603 POWER FEED HUB

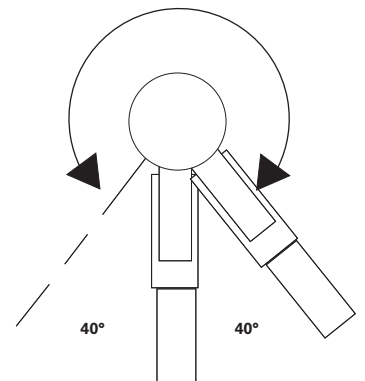
FEATURES

- LF603: 120V feed with 120V and 12V pass through for two extra circuits
- LF603: Feeds one 120V Circuit only
- LF60312: 12V feed with two 120V pass through for two extra circuits
- A variable connector that provides adjustment down to 40°.
- Finishes: Aluminum Haze (AH)

ORDERING INFORMATION

SAMPLE NUMBER: LF603AH24

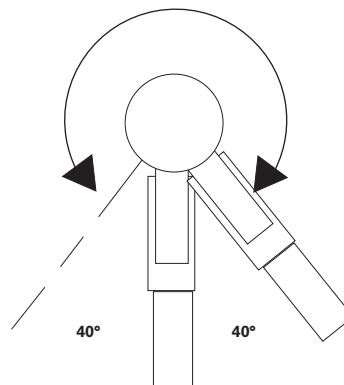
Accessory	Voltage	Finish	Length	
LF603=Power Feed Hub	12=12V [Blank]=120V	AH=Aluminum Haze	Ceiling to bottom of track 12=12" 18=18"	24=24" 36=36" 48=48" 96=96" 4=4"



Specifications and dimensions subject to change without notice. Consult your Cooper Lighting Representative or visit www.cooperlighting.com for available options, accessories and ordering information.

FEATURES

- LF604: Allows power to pass through track sections mounted end to end
- LF604N: Does not allow power to pass through
- LF604N12: Allows 120V power to pass while stopping 12V power
- A variable connector that provides adjustment down to 40°
- Finishes: Aluminum Haze (AH)



LF604 POWER HUB CONNECTOR

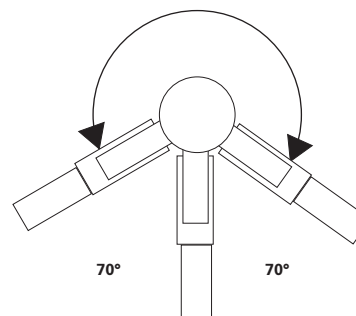
ORDERING INFORMATION

SAMPLE NUMBER: LF604NAH18

Accessory	Circuit	Finish	Length	
LF604=Power Hub Connector	[Blank]=All Circuits Pass Through N=No Circuits Pass Through N12=Only 120V Circuits Pass Through	AH=Aluminum Haze	12=12" 18=18" 24=24" 36=36"	4=4" 48=48" 96=96"

FEATURES

- LF605: 120V feed with 120V and 12V pass through for two extra circuits
- LF605: Feeds one 120V circuit only
- LF60512: 12V feed with two 120V pass through for two extra circuits
- LF60512: Remote 12V transformer required to energize
- A variable connector that provides adjustment down to 70°
- Adjustment allows "T" or "X" sections of track to pass between
- Removable access door transforms "T" into an "X" configuration
- Finishes: Aluminum Haze (AH)



LF605 POWER FEED X/T

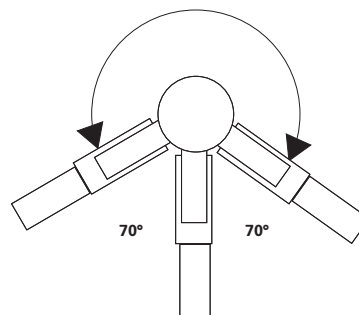
ORDERING INFORMATION

SAMPLE NUMBER: LF605AH18

Accessory	Voltage	Finish	Length	
LF605=Power Feed X/T	12=12V [Blank]=120V	AH=Aluminum Haze	12=12" 18=18" 24=24" 36=36"	4=4" 48=48" 6=6" 96=96"

FEATURES

- Allows 120V and 12V power to pass through
- Variable connector providing adjustment down to 70°
- Adjustment allows "T" or "X" sections of track to pass between
- Removeable access door transforms "T" into an "X" configuration
- 4" length not suitable for use in Canada
- Finishes: Aluminum Haze (AH)



LF606 POWER HUB X/T CONNECTOR

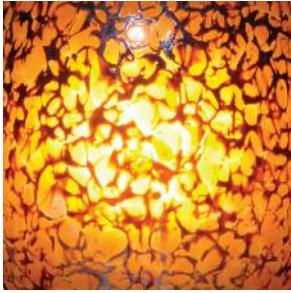
ORDERING INFORMATION

SAMPLE NUMBER: LF60612AH24

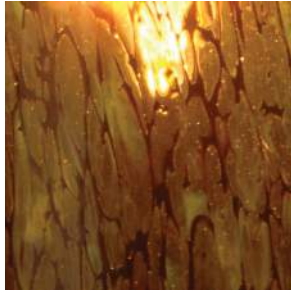
Accessory	Voltage	Finish	Length	
LF606=Power Hub X/T Connector	12=12V [Blank]=120V	AH=Aluminum Haze	12=12" 18=18" 24=24" 36=36"	4=4" 48=48" 6=6" 96=96"

Specifications and dimensions subject to change without notice. Consult your Cooper Lighting Representative or visit www.cooperlighting.com for available options, accessories and ordering information.

ART GLASS TEXTURES



AMBER ICE



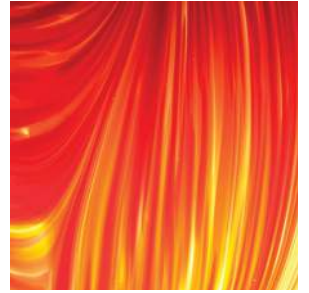
AMBER WEB



BLUEBERRY SWIRL



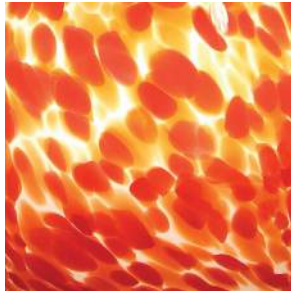
BUTTERSCOTCH TWIST



CANDY APPLE



CARAMEL



CHERRIES JUBILEE



TAHITIAN COCONUT



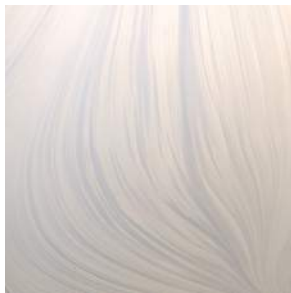
INDIGO



IRISH COFFEE



BLACK LICORICE



MARSHMALLOW SWIRL



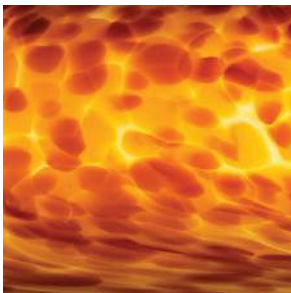
MOSSY ICE



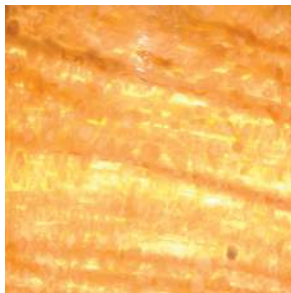
MOSSY WEB



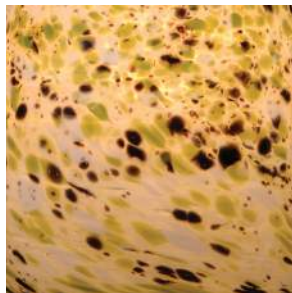
PLUM WINE



ROCKY ROAD



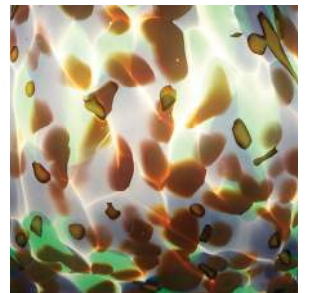
SANDSTONE



SEA MOSS



SMOKE



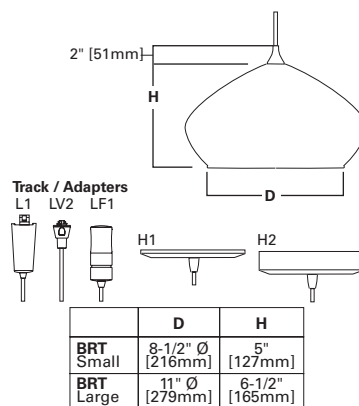
SPUMONI

FEATURES

- Art glass pendants provide a unique touch to lighting
- Each unique shade has charming imperfections of hand crafted glass
- 8' field-adjustable 18AWG clear-jacketed cord
- Machined brass finial
- Lamps: Incandescent

Compliances may not apply to all product configurations. Please consult the product spec sheet for compliance details.

COMPLIANCES: UL/cUL Listed, ETL Listed



SMALL BERET, LARGE BERET

ORDERING INFORMATION

LINE VOLTAGE SAMPLE NUMBER: H1BRTAH19LRGIRISH

Track	Style	Finial Finish	Lamp*	Adapter/Canopy Finish	Shade Size
H1=Surface Mount L1=Halo and Lazer Power-Trac LF1=Flexible Track	BRT=Beret	AH=Aluminum Haze BRZ=Bronze	19=60W A19, A15, G16.5	[Blank]=Same as Finial/Shade BRZ=Bronze MB=Black P=White	LRG=Large SML=Small

Shade Colors

- | | | | | |
|--|---|---|--|--|
| AmberIce=Amber Ice
AmberWeb=Amber Web
Blueberry=Blueberry Swirl
Butterscotch=Butterscotch Twist | Candy=Candy Apple
Caramel=Caramel
Cherries=Cherries Jubilee
Coconut=Tahitian Coconut | Indigo=Indigo
Irish=Irish Coffee
Licorice=Black Licorice
Marshmallow=Marshmallow Swirl | MossyIce=Mossy Ice
MossyWeb=Mossy Web
Plum=Plum Wine
Rocky=Rocky Road | Sandstone=Sandstone
Sea Moss=Sea Moss
Smoke=Smoke
Spumoni=Spumoni |
|--|---|---|--|--|

NOTES: *Lamp not included.

ORDERING INFORMATION

LOW VOLTAGE SAMPLE NUMBER: H2BRTAY4SMLPLUM

Track	Style	Finial Finish	Lamp*	Adapter/Canopy Finish	Shade Size
H2=Low Voltage Surface Mount (Includes Electronic Transformer) LV2=Linea Track	BRT=Beret	AH=Aluminum Haze BRZ=Bronze (H2 Only)	4=50W T4, MR16	[Blank]=Same as Finial BRZ=Bronze (H2 Only) MB=Black P=White	LRG=Large SML=Small

Shade Colors

- | | | | | |
|--|---|---|--|--|
| AmberIce=Amber Ice
AmberWeb=Amber Web
Blueberry=Blueberry Swirl
Butterscotch=Butterscotch Twist | Candy=Candy Apple
Caramel=Caramel
Cherries=Cherries Jubilee
Coconut=Tahitian Coconut | Indigo=Indigo
Irish=Irish Coffee
Licorice=Black Licorice
Marshmallow=Marshmallow Swirl | MossyIce=Mossy Ice
MossyWeb=Mossy Web
Plum=Plum Wine
Rocky=Rocky Road | Sandstone=Sandstone
Sea Moss=Sea Moss
Smoke=Smoke
Spumoni=Spumoni |
|--|---|---|--|--|

NOTES: *Lamp not included.

Specifications and dimensions subject to change without notice. Consult your Cooper Lighting Representative or visit www.cooperlighting.com for available options, accessories and ordering information.



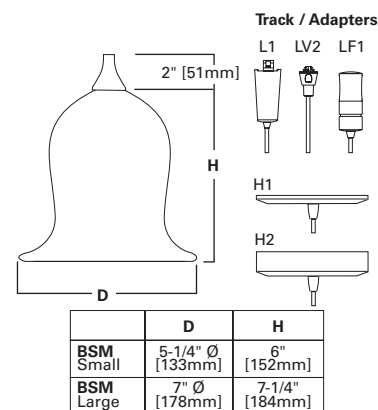
SMALL BLOSSOM,
LARGE BLOSSOM

FEATURES

- Art glass pendants provide a unique touch to lighting
- Each unique shade has charming imperfections of hand crafted glass
- 8' field-adjustable 18AWG clear-jacketed cord
- Machined brass finial
- Lamps: Incandescent

Compliances may not apply to all product configurations. Please consult the product spec sheet for compliance details.

COMPLIANCES: UL/cUL Listed, ETL Listed



ORDERING INFORMATION

LINE VOLTAGE SAMPLE NUMBER: H1BSMAH19LRGIRISH

Track	Style	Finial Finish	Lamp*	Adapter/Canopy Finish	Shade Size
H1=Surface Mount L1=Halo Power-Trac/Juno® Track LF1=Flexible Track	BSM =Blossom	AH =Aluminum Haze BRZ =Bronze (Except LF1)	19=60W A19, A15, G16.5	[Blank] =Same as Finial (LF1 Only Available in AH Finish) BRZ =Bronze MB =Black P =White	LRG =Large SML =Small

Shade Colors

AmberIce =Amber Ice AmberWeb =Amber Web Blueberry =Blueberry Swirl Butterscotch =Butterscotch Twist	Candy =Candy Apple Caramel =Caramel Cherries =Cherries Jubilee Coconut =Tahitian Coconut	Indigo =Indigo Irish =Irish Coffee Licorice =Black Licorice Marshmallow =Marshmallow Swirl	MossyIce =Mossy Ice MossyWeb =Mossy Web Plum =Plum Wine Rocky =Rocky Road	Sandstone =Sandstone Sea Moss =Sea Moss Smoke =Smoke Spumoni =Spumoni
--	---	---	--	--

NOTES: *Lamp not included.

ORDERING INFORMATION

LOW VOLTAGE SAMPLE NUMBER: H2BRTAY4SMLPLUM

Track	Style	Finial Finish	Lamp*	Adapter/Canopy Finish	Shade Size
H2=Low Voltage Surface Mount (Includes Electronic Transformer) LV2=Linea Track	BRT =Beret	AH =Aluminum Haze BRZ =Bronze (H2 Only)	4=50W T4, MR16	[Blank] =Same as Finial BRZ =Bronze (H2 Only) MB =Black P =White	LRG =Large SML =Small

Shade Colors

AmberIce =Amber Ice AmberWeb =Amber Web Blueberry =Blueberry Swirl Butterscotch =Butterscotch Twist	Candy =Candy Apple Caramel =Caramel Cherries =Cherries Jubilee Coconut =Tahitian Coconut	Indigo =Indigo Irish =Irish Coffee Licorice =Black Licorice Marshmallow =Marshmallow Swirl	MossyIce =Mossy Ice MossyWeb =Mossy Web Plum =Plum Wine Rocky =Rocky Road	Sandstone =Sandstone Sea Moss =Sea Moss Smoke =Smoke Spumoni =Spumoni
--	---	---	--	--

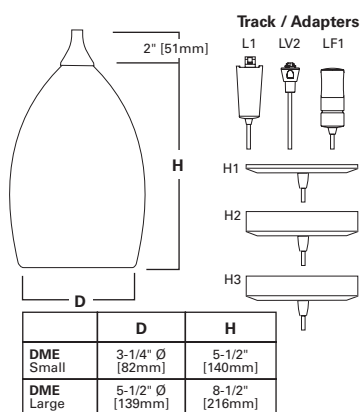
NOTES: *Lamp not included.

FEATURES

- Art glass pendants provide a unique touch to lighting
- Each unique shade has charming imperfections of hand crafted glass
- 8' field-adjustable 18AWG clear-jacketed cord
- Machined brass finial
- Lamps: Incandescent or CFL (LRG size only)

Compliances may not apply to all product configurations. Please consult the product spec sheet for compliance details.

COMPLIANCES: UL/cUL Listed, ETL Listed



SMALL DOME,
LARGE DOME

ORDERING INFORMATION

LINE VOLTAGE SAMPLE NUMBER: H1DMEAH19LRGAMBERICE

Track	Style	Finial Finish	Lamp*	Adapter/Canopy Finish	Shade Size
H1=Surface Mount H3=Surface Mount with CFL Ballast (LRG Size Only) L1=Halo Power-Trac/Juno® Track LF1=Flexible Track	DME=Dome	AH=Aluminum Haze BRZ=Bronze (Except LF1)	13=13W DTT CFL (LRG size only) 19=60W A19, A15, G16.5	[Blank]=Same as Finial (LF1 Only Available in AH Finish) BRZ=Bronze MB=Black P=White	LRG=Large SML=Small
Shade Colors					
AmberIce=Amber Ice AmberWeb=Amber Web Blueberry=Blueberry Swirl Butterscotch=Butterscotch Twist	Candy=Candy Apple Caramel=Caramel Cherries=Cherries Jubilee Coconut=Tahitian Coconut	Indigo=Indigo Irish=Irish Coffee Licorice=Black Licorice Marshmallow=Marshmallow Swirl	MossyIce=Mossy Ice MossyWeb=Mossy Web Plum=Plum Wine Rocky=Rocky Road	Sandstone=Sandstone Sea Moss=Sea Moss Smoke=Smoke Spumoni=Spumoni	

NOTES: *Lamp not included.

ORDERING INFORMATION

LOW VOLTAGE SAMPLE NUMBER: H2DMEAH4SMLCAMEL

Track	Style	Finial Finish	Lamp*	Adapter/Canopy Finish	Shade Size
H2=Low Voltage Surface Mount (Includes Electronic Transformer) LV2=Linea Track	DME=Dome	AH=Aluminum Haze BRZ=Bronze (H2 Only)	4=50W T4, MR16	[Blank]=Same as Finial BRZ=Bronze (H2 Only) MB=Black P=White	LRG=Large SML=Small
Shade Colors					
AmberIce=Amber Ice AmberWeb=Amber Web Blueberry=Blueberry Swirl Butterscotch=Butterscotch Twist	Candy=Candy Apple Caramel=Caramel Cherries=Cherries Jubilee Coconut=Tahitian Coconut	Indigo=Indigo Irish=Irish Coffee Licorice=Black Licorice Marshmallow=Marshmallow Swirl	MossyIce=Mossy Ice MossyWeb=Mossy Web Plum=Plum Wine Rocky=Rocky Road	Sandstone=Sandstone Sea Moss=Sea Moss Smoke=Smoke Spumoni=Spumoni	

NOTES: *Lamp not included.



FEATURES

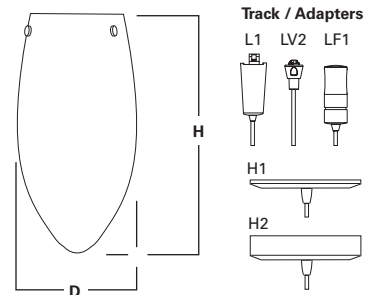
- Art glass pendants provide a unique touch to lighting
- Each unique shade has charming imperfections of hand crafted glass
- 8' field-adjustable 18AWG clear-jacketed cord
- Machined brass finial
- Lamps: Incandescent or CFL

Compliances may not apply to all product configurations. Please consult the product spec sheet for compliance details.

COMPLIANCES: UL/cUL Listed, ETL Listed



SMALL DROP,
LARGE DROP



	D	H
DRP Small	4-1/2" Ø [114mm]	6-7/8" [171mm]
DRP Large	4-1/2" Ø [114mm]	10" [254mm]

ORDERING INFORMATION

LINE VOLTAGE SAMPLE NUMBER: H1DRPAH13LRGIRISH

Track	Style	Finial Finish	Lamp*	Adapter/Canopy Finish	Shade Size
H1=Surface Mount H3=Surface Mount with CFL Ballast (LRG Size Only) L1=Halo Power-Trac LF1=Flexible Track	DRP=Drop	AH=Aluminum Haze BRZ=Bronze (Except LF1)	13=13W DTT CFL (LRG size only) 19=60W A19, A15, G16.5	[Blank]=Same as Finial (LF1 Only Available in AH Finish) BRZ=Bronze MB=Black P=White	LRG=Large SML=Small

Shade Colors

AmberIce=Amber Ice AmberWeb=Amber Web Blueberry=Blueberry Swirl Butterscotch=Butterscotch Twist	Candy=Candy Apple Caramel=Caramel Cherries=Cherries Jubilee Coconut=Tahitian Coconut	Indigo=Indigo Irish=Irish Coffee Licorice=Black Licorice Marshmallow=Marshmallow Swirl	MossyIce=Mossy Ice MossyWeb=Mossy Web Plum=Plum Wine Rocky=Rocky Road	Sandstone=Sandstone Sea Moss=Sea Moss Smoke=Smoke Spumoni=Spumoni
--	---	---	--	--

NOTES: *Lamp not included.

ORDERING INFORMATION

LOW VOLTAGE SAMPLE NUMBER: LV2DRPAH4SMLPLUM

Track	Style	Finial Finish	Lamp*	Adapter/Canopy Finish	Shade Size
H2=Low Voltage Surface Mount (Includes Electronic Transformer) LV2=Linea Track	DRP=Drop	AH=Aluminum Haze BRZ=Bronze (H2 Only)	4=50W T4, MR16	[Blank]=Same as Finial BRZ=Bronze MB=Black P=White	LRG=Large SML=Small

Shade Colors

AmberIce=Amber Ice AmberWeb=Amber Web Blueberry=Blueberry Swirl Butterscotch=Butterscotch Twist	Candy=Candy Apple Caramel=Caramel Cherries=Cherries Jubilee Coconut=Tahitian Coconut	Indigo=Indigo Irish=Irish Coffee Licorice=Black Licorice Marshmallow=Marshmallow Swirl	MossyIce=Mossy Ice MossyWeb=Mossy Web Plum=Plum Wine Rocky=Rocky Road	Sandstone=Sandstone Sea Moss=Sea Moss Smoke=Smoke Spumoni=Spumoni
--	---	---	--	--

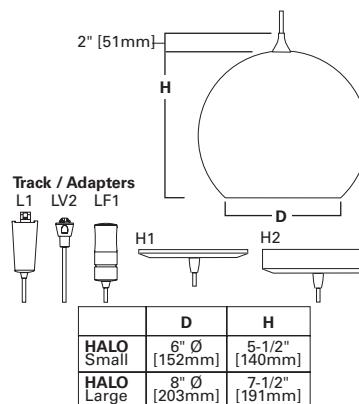
NOTES: *Lamp not included.

FEATURES

- Art glass pendants provide a unique touch to lighting
- Each unique shade has charming imperfections of hand crafted glass
- 8' field-adjustable 18AWG clear-jacketed cord
- Machined brass finial
- Lamps: 60W A15 / A19 / G16.5

Compliances may not apply to all product configurations. Please consult the product spec sheet for compliance details.

COMPLIANCES: UL/cUL Listed, ETL Listed



**SMALL HALOID,
LARGE HALOID**

ORDERING INFORMATION

LINE VOLTAGE SAMPLE NUMBER: H1HALOAH19LRGCANDY

Track	Style	Finial Finish	Lamp*	Adapter/Canopy Finish	Shade Size
H1=Surface Mount L1=Halo Power-Trac LF1=Flexible Track	HALO =Haloid	AH=Aluminum Haze BRZ=Bronze	19=60W A19, A15, G16.5	[Blank]=Same as Finial/Shade BRZ=Bronze MB=Black P=White	LRG=Large SML=Small
Shade Colors					
AmberIce=Amber Ice AmberWeb=Amber Web Blueberry=Blueberry Swirl Butterscotch=Butterscotch Twist	Candy=Candy Apple Caramel=Caramel Cherries=Cherries Jubilee Coconut=Tahitian Coconut	Indigo=Indigo Irish=Irish Coffee Licorice=Black Licorice Marshmallow=Marshmallow Swirl	MossyIce=Mossy Ice MossyWeb=Mossy Web Plum=Plum Wine Rocky=Rocky Road	Sandstone=Sandstone Sea Moss=Sea Moss Smoke=Smoke Spumoni=Spumoni	

NOTES: *Lamp not included.

ORDERING INFORMATION

LOW VOLTAGE SAMPLE NUMBER: H2HALOAH4LRGPLUM

Track	Style	Finial Finish	Lamp*	Adapter/Canopy Finish	Shade Size
H2=Low Voltage Surface Mount (Includes Electronic Transformer) LV2=Linea Track	HALO =Haloid	AH=Aluminum Haze BRZ=Bronze (H2 Only)	4=50W T4, MR16	[Blank]=Same as Finial BRZ=Bronze (H2 Only) MB=Black P=White	LRG=Large SML=Small
Shade Colors					
AmberIce=Amber Ice AmberWeb=Amber Web Blueberry=Blueberry Swirl Butterscotch=Butterscotch Twist	Candy=Candy Apple Caramel=Caramel Cherries=Cherries Jubilee Coconut=Tahitian Coconut	Indigo=Indigo Irish=Irish Coffee Licorice=Black Licorice Marshmallow=Marshmallow Swirl	MossyIce=Mossy Ice MossyWeb=Mossy Web Plum=Plum Wine Rocky=Rocky Road	Sandstone=Sandstone Sea Moss=Sea Moss Smoke=Smoke Spumoni=Spumoni	

NOTES: *Lamp not included.

Specifications and dimensions subject to change without notice. Consult your Cooper Lighting Representative or visit www.cooperlighting.com for available options, accessories and ordering information.



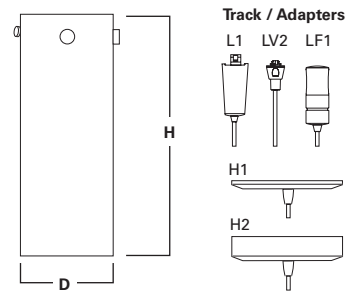
SMALL TUBE,
LARGE TUBE

FEATURES

- Art glass pendants provide a unique touch to lighting
- Each unique shade has charming imperfections of hand crafted glass
- 8' field-adjustable 18AWG clear-jacketed cord
- Machined brass finial
- Lamps: Incandescent or CFL

Compliances may not apply to all product configurations. Please consult the product spec sheet for compliance details.

COMPLIANCES: UL/cUL Listed, ETL Listed



	D	H
TBE Small	3-1/8" Ø [79mm]	7" [178mm]
TBE Large	4-1/8" Ø [105mm]	10-3/4" [273mm]

ORDERING INFORMATION

LINE VOLTAGE SAMPLE NUMBER: H1TBEAH19LRGIRISH

Track	Style	Finial Finish	Lamp*	Adapter/Canopy Finish	Shade Size
H1=Surface Mount L1=Halo Power-Trac LF1=Flexible Track	TBE=Tube	AH=Aluminum Haze BRZ=Bronze	19=60W A19, A15, G16.5	[Blank]=Same as Finial/Shade BRZ=Bronze MB=Black P=White	LRG=Large SML=Small

Shade Colors

AmberIce =Amber Ice AmberWeb =Amber Web Blueberry =Blueberry Swirl Butterscotch =Butterscotch Twist	Candy =Candy Apple Caramel =Caramel Cherries =Cherries Jubilee Coconut =Tahitian Coconut	Indigo =Indigo Irish =Irish Coffee Licorice =Black Licorice Marshmallow =Marshmallow Swirl	MossyIce =Mossy Ice MossyWeb =Mossy Web Plum =Plum Wine Rocky =Rocky Road	Sandstone =Sandstone Sea Moss =Sea Moss Smoke =Smoke Spumoni =Spumoni
--	---	---	--	--

NOTES: *Lamp not included.

ORDERING INFORMATION

LOW VOLTAGE SAMPLE NUMBER: H2TBEAH4SMLINDIGO

Track	Style	Finial Finish	Lamp*	Adapter/Canopy Finish	Shade Size
H2=Low Voltage Surface Mount (Includes Electronic Transformer) LV2=Linea Track	TBE=Tube	AH=Aluminum Haze BRZ=Bronze (H2 Only)	4=50W T4, MR16	[Blank]=Same as Finial BRZ=Bronze (H2 Only) MB=Black P=White	LRG=Large SML=Small

Shade Colors

AmberIce =Amber Ice AmberWeb =Amber Web Blueberry =Blueberry Swirl Butterscotch =Butterscotch Twist	Candy =Candy Apple Caramel =Caramel Cherries =Cherries Jubilee Coconut =Tahitian Coconut	Indigo =Indigo Irish =Irish Coffee Licorice =Black Licorice Marshmallow =Marshmallow Swirl	MossyIce =Mossy Ice MossyWeb =Mossy Web Plum =Plum Wine Rocky =Rocky Road	Sandstone =Sandstone Sea Moss =Sea Moss Smoke =Smoke Spumoni =Spumoni
--	---	---	--	--

NOTES: *Lamp not included.

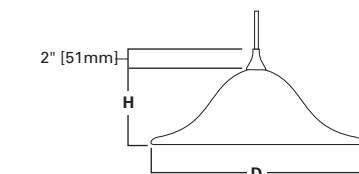
Specifications and dimensions subject to change without notice. Consult your Cooper Lighting Representative or visit www.cooperlighting.com for available options, accessories and ordering information.

FEATURES

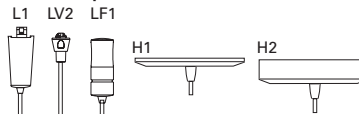
- Art glass pendants provide a unique touch to lighting
- Each unique shade has charming imperfections of hand crafted glass
- 8' field-adjustable 18AWG clear-jacketed cord
- Machined brass finial
- Lamps: Incandescent

Compliances may not apply to all product configurations. Please consult the product spec sheet for compliance details.

COMPLIANCES: UL/cUL Listed, ETL Listed



Track / Adapters



	D	H
TMP Small	10-1/2" Ø [266mm]	4" [102mm]
TMP Large	13" Ø [330mm]	5-1/4" [133mm]

SMALL TRUMPET, LARGE TRUMPET

ORDERING INFORMATION

LINE VOLTAGE SAMPLE NUMBER: H1TMPAH19LRGCARAMEL

Track	Style	Finial Finish	Lamp*	Adapter/Canopy Finish	Shade Size
H1=Surface Mount L1=Halo Power-Trac LF1=Flexible Track	TMP=Trumpet	AH=Aluminum Haze BRZ=Bronze	19=60W A19, A15, G16.5	[Blank]=Same as Shade (LF1 Only Available in AH Finish) BRZ=Bronze MB=Black P=White	LRG=Large SML=Small

Shade Colors

- | | | | | |
|--|---|---|--|--|
| AmberIce=Amber Ice
AmberWeb=Amber Web
Blueberry=Blueberry Swirl
Butterscotch=Butterscotch Twist | Candy=Candy Apple
Caramel=Caramel
Cherries=Cherries Jubilee
Coconut=Tahitian Coconut | Indigo=Indigo
Irish=Irish Coffee
Licorice=Black Licorice
Marshmallow=Marshmallow Swirl | MossyIce=Mossy Ice
MossyWeb=Mossy Web
Plum=Plum Wine
Rocky=Rocky Road | Sandstone=Sandstone
Sea Moss=Sea Moss
Smoke=Smoke
Spumoni=Spumoni |
|--|---|---|--|--|

NOTES: *Lamp not included.

ORDERING INFORMATION

LOW VOLTAGE SAMPLE NUMBER: H2TMPAH4SMLCANDY

Track	Style	Finial Finish	Lamp*	Adapter/Canopy Finish	Shade Size
H2=Low Voltage Surface Mount LV2=Linea Track	TMP=Trumpet	AH=Aluminum Haze BRZ=Bronze	4=50W T4, MR16	[Blank]=Same as Finial BRZ=Bronze MB=Black P=White	LRG=Large SML=Small

Shade Colors

- | | | | | |
|--|---|---|--|--|
| AmberIce=Amber Ice
AmberWeb=Amber Web
Blueberry=Blueberry Swirl
Butterscotch=Butterscotch Twist | Candy=Candy Apple
Caramel=Caramel
Cherries=Cherries Jubilee
Coconut=Tahitian Coconut | Indigo=Indigo
Irish=Irish Coffee
Licorice=Black Licorice
Marshmallow=Marshmallow Swirl | MossyIce=Mossy Ice
MossyWeb=Mossy Web
Plum=Plum Wine
Rocky=Rocky Road | Sandstone=Sandstone
Sea Moss=Sea Moss
Smoke=Smoke
Spumoni=Spumoni |
|--|---|---|--|--|

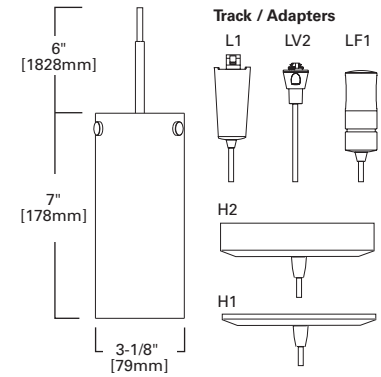
NOTES: *Lamp not included.



FEATURES

- Decorative task or accent pendant lighting
- Available in 120V and 12V
- Surface mount or track system mount
- Machined brass finial
- Field-adjustable 8' long 18AWG clear-jacketed cord
- Shade Colors: Amber, Blue and White

Compliances may not apply to all product configurations. Please consult the product spec sheet for compliance details.
COMPLIANCES: UL/cUL Listed, ETL Listed



CYLINDER - CYL

ORDERING INFORMATION

LINE VOLTAGE SAMPLE NUMBER: L1CYLBRZ19AM

Track	Style	Finial Finish	Lamp*	Adapter/Canopy Finish	Shade Colors
H1=Surface Mount L1=Halo and Lazer Power-Trac LF1=Flexible Track	CYL=Cylinder	AH=Aluminum Haze BRZ=Bronze (Except LF1)	19=50W A15, G16.5	[Blank]=Same as Finial (LF1 Only Available in AH Finish) BRZ=Bronze MB=Black P=White	AM=Amber BL=Blue WH=White

NOTES: *Lamp not included.

ORDERING INFORMATION

LOW VOLTAGE SAMPLE NUMBER: H2CYLAH4BL

Track	Style	Finial Finish	Lamp*	Adapter/Canopy Finish	Shade Colors
H2=Surface Low Voltage LV2=Linea Track	CYL=Cylinder	AH=Aluminum Haze BRZ=Bronze (H2 Only)	4=50W T4, MR16	[Blank]=Same as Finial BRZ=Bronze (H2 Only) MB=Black P=White	AM=Amber BL=Blue WH=White

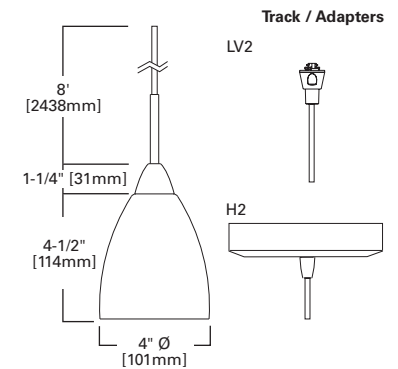
NOTES: *Lamp not included.



FEATURES

- Decorative task or accent pendant lighting
- Surface mount or track system mount
- Machined brass finial
- Field-adjustable 8' long 18AWG clear-jacketed cord
- Shade Colors: Amber, Blue and White

Compliances may not apply to all product configurations. Please consult the product spec sheet for compliance details.
COMPLIANCES: ETL Listed



SOFT CONE - SCN

ORDERING INFORMATION

SAMPLE NUMBER: H2SCNAH4AM

Track	Style	Finial Finish	Lamp*	Attachment Finish	Shade Colors
H2=Surface Low Voltage LV2=Linea Track	SCN=Soft Cone	AH=Aluminum Haze BRZ=Bronze	4=50W T4, MR16	[Blank]=Same as Finial MB=Black P=White	AM=Amber BL=Blue WH=White

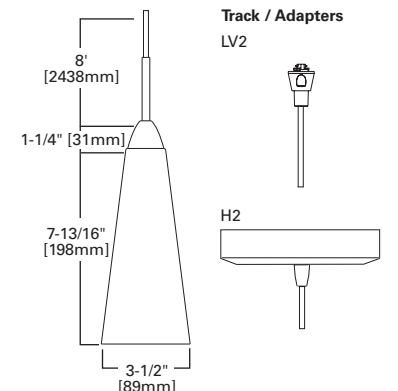
NOTES: *Lamp not included.



FEATURES

- Decorative task or accent pendant lighting
- Surface mount or track system mount
- Machined brass finial
- Field-adjustable 8' long 18AWG clear-jacketed cord
- Shade Colors: Amber, Blue and White

Compliances may not apply to all product configurations. Please consult the product spec sheet for compliance details.
COMPLIANCES: ETL Listed



TALL CONE - TCN

ORDERING INFORMATION

SAMPLE NUMBER: H2TCNAH4PAM

Track/Surface	Style	Finial Finish	Lamp*	Attachment Finish	Shade Colors
H2=Surface Low Voltage LV2=Linea Track	TCN=Tall Cone	AH=Aluminum Haze BRZ=Bronze	4=50W T4, MR16	[Blank]=Same as Finial MB=Black P=White	AM=Amber BL=Blue WH=White

NOTES: *Lamp not included.

Specifications and dimensions subject to change without notice. Consult your Cooper Lighting Representative or visit www.cooperlighting.com for available options, accessories and ordering information.

CLASSIC PENDANT SHADE COLORS FOR CYL, SCN, TCN



AMBER



BLUE



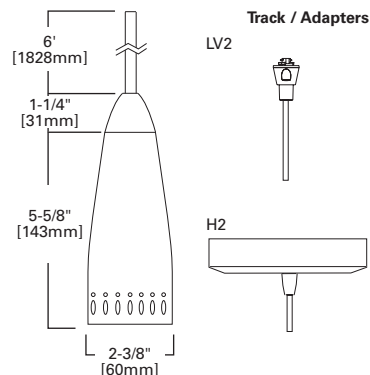
WHITE

FEATURES

- Low voltage decorative metal shade pendants
- Field-adjustable 8' long 18AWG clear-jacketed cord
- Interior is painted a white reflective finish for optimal light output
- Attaches to standard junction box or track system

Compliances may not apply to all product configurations. Please consult the product spec sheet for compliance details.

COMPLIANCES: ETL Listed



BULLET - MBLT

ORDERING INFORMATION

SAMPLE NUMBER: H2MBLTAH4

Track	Style	Shade/Finial Finish	Lamp*	Adapter/Canopy Finish
H2=Low Voltage Surface Mount LV2=Linea Track	MBLT=Bullet	AH=Aluminum Haze BRZ=Bronze	4=50W T4, MR16	[Blank]=Same as Finial (LV2 is Not Available in BRZ Finish) BRZ=Bronze (H2 Only) MB=Black P=White

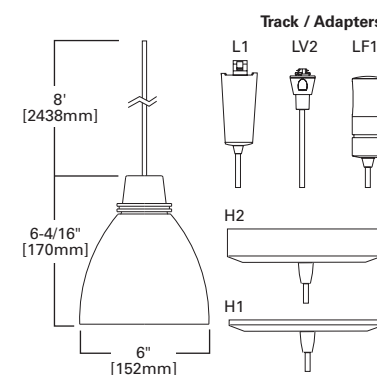
NOTES: *Lamp not included.

FEATURES

- Decorative line voltage metal shade pendant
- Field-adjustable 8' long 18AWG clear-jacketed cord
- Interior is painted a white reflective finish for optimal light output
- Attaches to standard junction box or track system

Compliances may not apply to all product configurations. Please consult the product spec sheet for compliance details.

COMPLIANCES: UL/cUL Listed, ETL Listed



METAL DOME - MDME

ORDERING INFORMATION

LINE VOLTAGE SAMPLE NUMBER: H1MDMEAH19

Track	Style	Shade Colors	Lamp*	Adapter/Canopy Finish
H1=Surface Mount L1=Halo Power-Trac LF1=Flexible Track	MDME=Metal Dome	AH=Aluminum Haze BRZ=Bronze	19=50W A15, G16.5	[Blank]=Same as Shade (LF1 Only Available in AH Finish) BRZ=Bronze MB=Black P=White

NOTES: *Lamp not included.

ORDERING INFORMATION

LOW VOLTAGE SAMPLE NUMBER: H2MDMEBRZ4

Track	Style	Shade Colors	Lamp*	Adapter/Canopy Finish
H2=Low Voltage Surface Mount LV2=Linea Track	MDME=Metal Dome	AH=Aluminum Haze BRZ=Bronze	4=50W T4, MR16	[Blank]=Same as Shade (LV2 is Not Available in BRZ Finish) MB=Black P=White

NOTES: *Lamp not included.



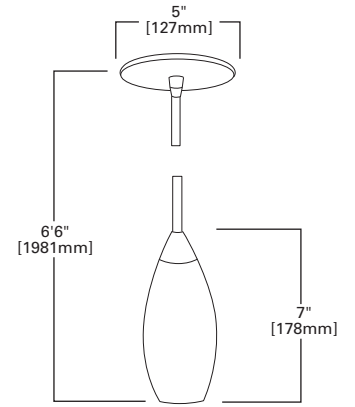
**LZR603 LAZER
PENDANTS**

FEATURES

- Ideal for hanging over counters, desks or shelving
- Ceramic keyed socket for 120V 40W G9 lamp (Included)
- Cord is 6' long and can be easily shortened as desired
- Frosted lamp containment barrier secures to socket with thumbscrew
- Shade Colors: white, blue, amber and red

Compliances may not apply to all product configurations. Please consult the product spec sheet for compliance details.

COMPLIANCES: UL/cUL Listed



ORDERING INFORMATION

SAMPLE NUMBER: LZR603WH

Pendant Kit	Shade Color
LZR603=Pendant Kit Complete	AM =Frosted Amber BL =Frosted Blue RD =Frosted Red WH =Frosted White

NOTES: Lamp not included.



LZR705PL

Includes three LZR316PL gimbal lampholders, 4' of white Lazer track (actual dimension 44-1/8"), lamps and LZR202P floating canopy and feed. Lamp: 120V 50W GU10 lamps (Z28) (3 lamps included)

FINISH

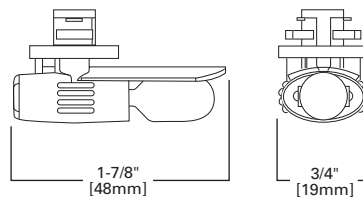
White (P) lampholders, track and canopy

FEATURES

- Used when minimal size and weight are desirable
- Channel is thermal plastic with two 10AWG copper conductors
- Channel comes in 2', 4', 6' and 8' lengths
- Channels may be field cut to any length
- Finishes: White (P) and Black (MB)

Compliances may not apply to all product configurations. Please consult the product spec sheet for compliance details.

COMPLIANCES: UL Listed, CSA Listed



Max. Extension:
3/4" [19mm]



**LV301
UNDERCABINET
SINGLE
WEDGE-BASE
LAMPHOLDER**

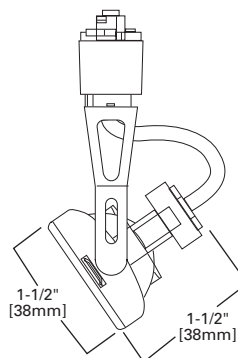
Lamp*	Track System	Track Information
10W Maximum, 12V or 24V, T3-1/4 Wedge-Base Z82 = 5W, T3-1/4, 24V Xenon Frosted Wedge-Base Z83 = 10W, T3-1/4, 24V Xenon Frosted Wedge-Base Z92 = 5W, T3-1/4, 12V Xenon Frosted Wedge-Base Z93 = 10W, T3-1/4, 12V Xenon Frosted Wedge-Base	Linea Track	LV114, LV118, LV102, LV104, LV106, LV108

FEATURES

- Used when minimal size and weight are desirable
- Steel gimbal ring
- Polycarbonate adapter casing
- 338° horizontal rotation and 0° to 90° vertical pivot
- Finishes: White (P) and Black (MB)

Compliances may not apply to all product configurations. Please consult the product spec sheet for compliance details.

COMPLIANCES: UL Listed, CSA Listed



Max. Extension:
2-7/8" [73mm]



**LV303 STEEL
GIMBAL**

Lamp*	Accessories (Order Separately)	Track System	Track Information
35W 12 or 24V MR11	L1982MB Barn Door Shutters L100 Hex Cell Louver L100 Series Color Filters L100 Series Optical Filters Will accept one media LV21012, LV21018, LV21036 Extension Wands	Linea Track Halo Track Flexible Track Lazer Track	LV114, LV118, LV102, LV104, LV106, LV108 L2004 or L2005 required for use with Halo Single and 2-Circuit: L650, L651, L652, L653, L641, L642, L643, L611, L612, L613, L1631, L1632 LF2LV and LF2005 or LF2006 required for use with Halo "LF" Flexible Track: LF4, LF8 L2004 or L2005 Transformer required for Lazer Track: LZR102, LZR104, LZR106, LZR108

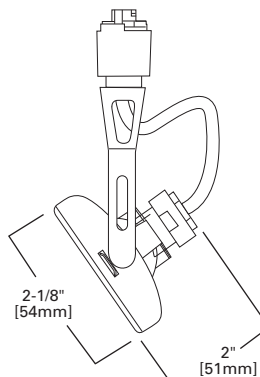
NOTES: *Lamp not included.

FEATURES

- Die-formed lampholder body
- Quick-lock adapter attaches anywhere along the Linea surface channel
- 338° horizontal rotation and 0° to 90° vertical pivot
- Cover glass provided for use with non-open fixture rated lamps
- Finishes: White (P) and Black (MB)

Compliances may not apply to all product configurations. Please consult the product spec sheet for compliance details.

COMPLIANCES: UL Listed, CSA Listed



Max. Extension:
3-3/4" [95mm]



**LV304 STEEL
GIMBAL**

Lamp*	Accessories (Order Separately)	Track System	Track Information
50W Maximum 12V or 24V MR16	L1982MB Barn Door Shutters L100 Hex Cell Louver L100 Series Color Filters L100 Series Optical Filters Will accept one media LV21012, LV21018, LV21036 Extension Wands	Linea Track Halo Track Flexible Track Lazer Track	LV114, LV118, LV102, LV104, LV106, LV108 L2004 or L2005 required for use with Halo Single and 2-Circuit: L650, L651, L652, L653, L641, L642, L643, L611, L612, L613, L1631, L1632 LF2LV and LF2005 or LF2006 required for use with Halo "LF" Flexible Track: LF4, LF8 L2004 or L2005 Transformer required for Lazer Track: LZR102, LZR104, LZR106, LZR108

NOTES: Not for use on 4-Circuit Track. Lamp not included. *Lamp not included.

Specifications and dimensions subject to change without notice. Consult your Cooper Lighting Representative or visit www.cooperlighting.com for available options, accessories and ordering information.



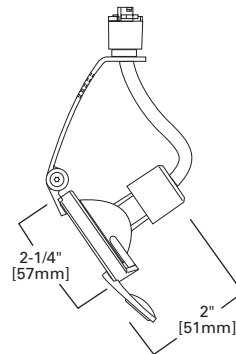
LV306
CONTEMPORARY
GIMBAL

FEATURES

- For Halo Linea surface and wireway channel systems
- Quick-lock adapter attaches anywhere along the Linea surface channel
- 338° horizontal rotation and 0° to 90° vertical pivot
- Precision die-cast body with nickel-plated steel retension spring
- Non-metallic finger hold allows aiming even after lamp is heated
- Machined pivot provides constant tension maintaining aiming
- May be used on Halo and Lazer Track with L2004 solid state adapter
- Finishes: White (P) and Black (MB)

Compliances may not apply to all product configurations. Please consult the product spec sheet for compliance details.

COMPLIANCES: UL Listed, CSA Listed



Max. Extension:
7-3/8" [187mm]

Lamp*	Accessories (Order Separately)	Track System	Track Information
50W Maximum 12V or 24V MR16	L100 Hex Cell Louver L100 Series Color Filters L100 Series Optical Filters Will accept one media LV21012, LV21018, LV21036 Extension Wands	Linea Track	LV114, LV118, LV102, LV104, LV106, LV108
		Halo Track	L2004 or L2005 required for use with Halo Single and 2-Circuit: L650, L651, L652, L653, L641, L642, L643, L611, L612, L613, L1631, L1632
		Flexible Track	LF2LV and LF2005 or LF2006 required for use with Halo "LF" Flexible Track: LF4, LF8
		Lazer Track	L2004 or L2005 Transformer required for Lazer Track: LZR102, LZR104, LZR106, LZR108

NOTES: *Lamp not included.



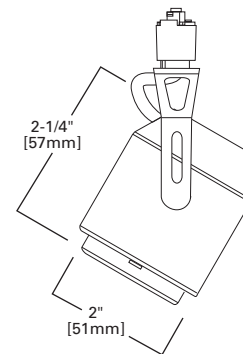
LV307 MINI ALTO

FEATURES

- For Halo Linea surface channel system
- Quick-lock adapter attaches anywhere along the Linea surface channel
- 338° horizontal rotation
- Deep-drawn aluminum housing provides good thermal performance
- Deep-drawn baffle restricts light spill, removes for lamp replacement
- Finishes: White (P) and Black (MB)

Compliances may not apply to all product configurations. Please consult the product spec sheet for compliance details.

COMPLIANCES: UL Listed, CSA Listed



Max. Extension:
4" [102mm]

Lamp*	Accessories (Order Separately)	Track System	Track Information
35W Maximum 12V or 24V MR11	L100 Louver L100 Series Color Filters L100 Series Optical Filters LV21012, LV21018, LV21036 Extension Wands	Linea Track	LV114, LV118, LV102, LV104, LV106, LV108
		Halo Track	L2004 or L2005 required for use with Halo Single and 2-Circuit: L650, L651, L652, L653, L641, L642, L643, L611, L612, L613, L1631, L1632
		Flexible Track	LF2LV and LF2005 or LF2006 required for use with Halo "LF" Flexible Track: LF4, LF8
		Lazer Track	L2004 or L2005 Transformer required for Lazer Track: LZR102, LZR104, LZR106, LZR108

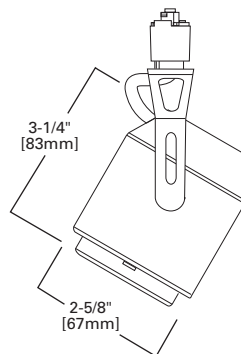
NOTES: *Lamp not included.

FEATURES

- For Halo Linea surface channel system
- Quick-lock adapter attaches anywhere along the Linea surface channel
- 338° horizontal rotation
- Deep-drawn aluminum housing provides good thermal performance
- Deep-drawn baffle restricts light spill, removes for lamp replacement
- Finishes: White (P) and Black (MB)

Compliances may not apply to all product configurations. Please consult the product spec sheet for compliance details.

COMPLIANCES: UL Listed, CSA Listed



Max. Extension:
5-1/4" [135mm]



LV308 MINI ALTO

Lamp*	Accessories (Order Separately)	Track System	Track Information
50W Maximum 12V or 24V MR16	L100 Louver L100 Series Color Filters L100 Series Optical Filters Will accept one media LV21012, LV21018, LV21036 Extension Wands	Linea Track	LV114, LV118, LV102, LV104, LV106, LV108
		Halo Track	L2004 or L2005 required for use with Halo Single and 2-Circuit: L650, L651, L652, L653, L641, L642, L643, L611, L612, L613, L1631, L1632
		Flexible Track	LF2LV and LF2005 or LF2006 required for use with Halo "LF" Flexible Track: LF4, LF8
		Lazer Track	L2004 or L2005 Transformer required for Lazer Track: LZR102, LZR104, LZR106, LZR108

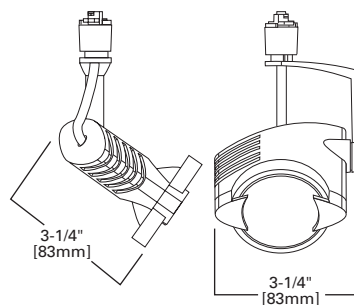
NOTES: *Lamp not included.

FEATURES

- For Halo Linea surface and wireway channel system
- Quick-lock adapter attaches anywhere along the Linea surface channel
- 338° horizontal rotation and 0° to 90° vertical pivot
- Precision die-cast aluminum housing for maximum durability
- Die-cast aluminum bezel acts as a filter and lens retainer
- Accepts one media with cover glass lamps and two with non-cover glass
- May be used on Halo and Lazer Track with L2004 solid state adapter
- Finishes: White (P) and Black (MB)

Compliances may not apply to all product configurations. Please consult the product spec sheet for compliance details.

COMPLIANCES: UL Listed, CSA Listed



Max. Extension:
6-1/2" [165mm]



LV310 ELLIPSE

Lamp*	Accessories (Order Separately)	Track System	Track Information
50W Maximum 12V or 24V MR16	L100 Louver L100 Series Color Filters L100 Series Optical Filters Will accept 1 media with cover glass lamp and 2 media with non-cover glass lamps. LV21012, LV21018, LV21036 Extension Wands	Linea Track	LV114, LV118, LV102, LV104, LV106, LV108
		Halo Track	L2004 or L2005 required for use with Halo Single and 2-Circuit: L650, L651, L652, L653, L641, L642, L643, L611, L612, L613, L1631, L1632
		Flexible Track	LF2LV and LF2005 or LF2006 required for use with Halo "LF" Flexible Track: LF4, LF8
		Lazer Track	L2004 or L2005 Transformer required for Lazer Track: LZR102, LZR104, LZR106, LZR108

NOTES: *Lamp not included.



FEATURES

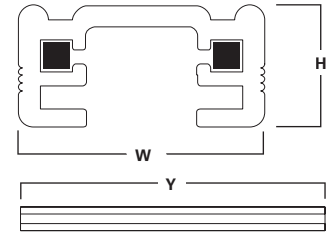
- Used when minimal size and weight are desirable
- Channel is thermal plastic with two 10AWG copper conductors
- Channel comes in 2', 4', 6' and 8' lengths
- Channels may be field cut to any length
- Finishes: White (P) and Black (MB)

Compliances may not apply to all product configurations. Please consult the product spec sheet for compliance details.

COMPLIANCES: UL Listed, CSA Listed



LINEA SURFACE MOUNT CHANNEL



	L	W	H
LV102 2' Nominal	20-2/8" [514mm]	3/4" [19mm]	3/8" [10mm]
LV104 4' Nominal	44-2/8" [1125mm]	3/4" [19mm]	3/8" [10mm]
LV106 6' Nominal	68-2/8" [2347mm]	3/4" [19mm]	3/8" [10mm]
LV108 8' Nominal	92-2/8" [2347mm]	3/4" [19mm]	3/8" [10mm]

ORDERING INFORMATION

SAMPLE NUMBER: LV102P

Channel	Finishes	Surface Connectors	Accessories (Order Separately)	
LV102 =2' Linea Surface Mount Channel System LV104 =4' Linea Surface Mount Channel System LV106 =6' Linea Surface Mount Channel System LV108 =8' Linea Surface Mount Channel System	MB =Black P =White	LV200 =J-Box Feed LV201 =End Feed LV202 =Straight Joiner LV203 =Right-Angle Joiner LV204 =Conduit Feed LV205 =Flexible Joiner LV206 =T-Bar and J-Bar Canopy Feed LV21012 =Extension Wand	LV21018 =Extension Wand LV21036 =Extension Wand TB206 =Terminal Block Finishes MB =Black P =White	AW1 =1/16" Allen® Wrench DES200 =Dead End for Surface Channel

CONNECTORS AND ACCESSORIES



LV200 J-Box Feed



LV201 End Feed



LV202 Straight Joiner



LV203 Right-Angle Joiner



LV204 Conduit Feed



LV205 Flexible Joiner



LV206 T-Bar and J-Box Canopy Feed



TB206 Terminal Block



DES200 Dead End for Surface Channel



AW1 1/16in Allen® Wrench

LINEA POWER SUPPLIES

Magnetic Power Supplies can handle larger loads. They are available in 120 or 277 volt input, 12 or 24 volt output. The wiring used to connect the magnetic power supply to the channel also affects the load that can be carried as shown in the accompanying graphs. Greater distances between the power supply and load are possible using the BOOST TAPS. Reference minimum and maximum distances between the transformer and loads shown below.

LV506MT

	Size
L	9" [229mm]
W	4-1/4" [108mm]
H	4-1/4" [108mm]
MC	10-1/4" [260mm]

LV507MT

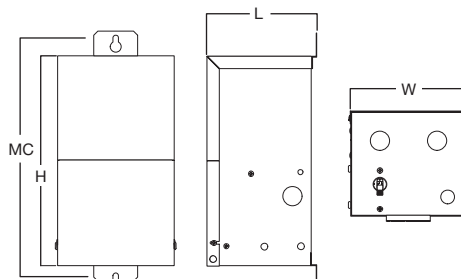
	Size
L	9" [229mm]
W	4-1/4" [108mm]
H	4-1/4" [108mm]
MC	10-1/4" [260mm]

LV508MT

	Size
L	9-1/2" [241mm]
W	5-1/4" [133mm]
H	4-7/8" [124mm]
MC	10-3/4" [273mm]

LV509MT

	Size
L	13-7/8" [350mm]
W	7-1/8" [180mm]
H	5-3/4" [146mm]
MC	15-1/8" [385mm]



LINEA POWER SUPPLY SELECTION TABLES 12 VOLT

Recommended Wire Size and Distance from Power Supply (distance given in feet; minimum – maximum) - 12V TAP					
Power Supply	LV506		LV507 and LV508		
Load (Watts)	50-100	100-150	150-200	200-250	250-300
Max. Amps @ 12V	8.330	12.500	16.667	20.833	25.000
14 AWG	0'-11'	0'-7'			
12 AWG	0'-18'	0'-12'			
10 AWG	0'-28'	0'-18'	0'-14'	0'-11'	0'-9'

Recommended Wire Size and Distance from Power Supply (distance given in feet; minimum – maximum) - 15V TAP					
Power Supply	LV506		LV507 and LV508		
Load (Watts)	50-100	100-150	150-200	200-250	250-300
Max. Amps @ 12V	8.330	12.500	16.667	20.833	25.000
14 AWG	11'-34'	7'-22'			
12 AWG	18'-54'	12'-36'			
10 AWG	28'-86'	19'-57'	14'-43'	11'-34'	9'-28'

LINEA POWER SUPPLY SELECTION TABLES 24 VOLT

Recommended Wire Size and Distance from Power Supply (distance given in feet; minimum – maximum) - 24V TAP											
Power Supply	LV506		LV507			LV508 and LV509					
Load (Watts)	50-100	100-150	150-200	200-250	250-300	300-350	350-400	400-450	450-500	500-550	550-600
Max. Amps @ 12V	4.17	6.25	8.33	10.41	12.50	14.58	16.66	18.75	20.83	22.91	25.00
14 AWG	0'-22'	0'-15'	0'-11'	0'-9'	0'-7'						
12 AWG	0'-36'	0'-24'	0'-18'	0'-14'	0'-12'						
10 AWG	0'-57'	0'-38'	0'-28'	0'-23'	0'-19'	0'-16'	0'-14'	0'-12'	0'-11'	0'-10'	0'-9'

Recommended Wire Size and Distance from Power Supply (distance given in feet; minimum – maximum) - 26V TAP											
Power Supply	LV506		LV507			LV508 and LV509					
Load (Watts)	50-100	100-150	150-200	200-250	250-300	300-350	350-400	400-450	450-500	500-550	550-600
Max. Amps @ 12V	4.17	6.25	8.33	10.41	12.50	14.58	16.66	18.75	20.83	22.91	25.00
14 AWG	22'-68'	15'-45'	11'-34'	9'-27'	12'-22'						
12 AWG	36'-109'	24'-72'	18'-54'	14'-43'	12'-36'						
10 AWG	57'-173'	38'-115'	28'-87'	23'-69'	19'-57'	16'-49'	14'-43'	12'-38'	11'-34'	10'-31'	9'-28'

Recommended Wire Size and Distance from Power Supply (distance given in feet; minimum – maximum) - 28V TAP											
Power Supply	LV506		LV507			LV508 and LV509					
Load (Watts)	50-100	100-150	150-200	200-250	250-300	300-350	350-400	400-450	450-500	500-550	550-600
Max. Amps @ 12V	4.17	6.25	8.33	10.41	12.50	14.58	16.66	18.75	20.83	22.91	25.00
14 AWG	68'-114'	45'-76'	34'-57'	27'-45'	22'-38'						
12 AWG	109'-182'	72'-121'	54'-91'	43'-72'	36'-60'						
10 AWG	173'-289'	115'-193'	84'-144'	69'-115'	57'-96'	49'-82'	43'-72'	38'-64'	34'-57'	31'-52'	28'-48'

NOTES:

1. Wire size and distance calculated based on 0.5 volt drop at maximum current given (using com and 120V inputs), assuming single lump load at feed point.
2. Wire size and distance calculated based on 1.5 volt drop.
3. Wire size and distance calculated based on 2.5 volt drop.
4. If there are multiple circuits feeding from this power supply you can use multiple voltages to provide 12 or 24 volts at each fixture. In no case should the overall wattage exceed the rated wattage of the power supply.

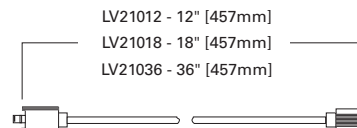
Specifications and dimensions subject to change without notice. Consult your Cooper Lighting Representative or visit www.cooperlighting.com for available options, accessories and ordering information.



LV21012, LV21018, LV21036

Description

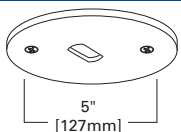
LV21012 EXTENSION WAND 12" [305mm]
LV21018 EXTENSION WAND 18" [457mm]
LV21036 EXTENSION WAND 36" [914mm]
 Extension wand mounts into Linea Surface or Wireway Channel, Mini-Point or Mono-Point Canopy, L2004 or L2005 adapter. Accepts any Linea lampholder [except LV301]
Finishes: White (P), Black (MB) and Silver (SL)



LV209

Description

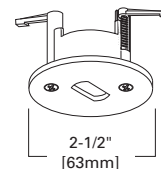
MONO-POINT CANOPY
 Fits over a standard junction box. Allows use of a single Linea lampholder without channels. Lampholder sold separately.
Finishes: White (P) and Black (MB)



LV208

Description

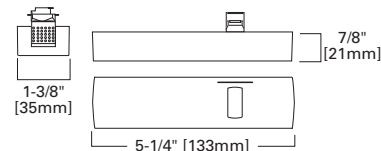
MINI-POINT CANOPY
 Snaps into an opening without using a junction box or channels. Use where local codes permit. Not for fire-rated ceilings. Lampholder sold separately.
Finishes: White (P) and Black (MB)



L2004

Description

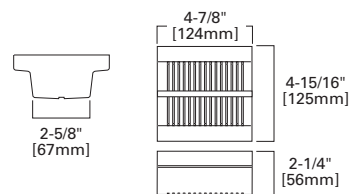
LOW VOLTAGE TRANSFORMER
 L2004 allows use of Linea Lampholders with Halo and Lazer Track systems. Insert L2004 into track and add Linea lampholders and 12V lamps (50W max). May also be used with L1974 weighted base adapter and L1973 canopy adapter.
Finishes: White (P) and Black (MB),



LV50212012

Description

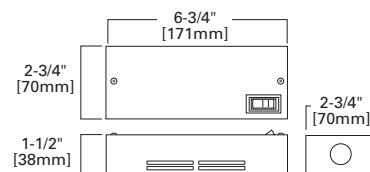
12V ELECTRONIC POWER SUPPLY
 Canopy style 150 watt electronic power supply available with 12 volt output. Output is overload and short circuit protected with auto reset. Use with Linea surface channel to start a run. Can be used between discrete lengths of surface channel. Requires optional TB206 Terminal Block (purchased separately) if center feeding track. Canopy 150 VA; 120V in/12V out 150W Maximum
Finishes: White (P) and Black (MB),



LV50312012

Description

12V ELECTRONIC POWER SUPPLY
 Remote 150 watt electronic power supply, 12 volt output. Overload and short circuit protected with auto-reset. For Linea surface or wireway channel and mono-point. (Can also be used to start a surface channel run with LV204 conduit feed (order separately). 150VA, 120V in/12V out, 150 watts maximum.
Finishes: White (P) and Black (MB),



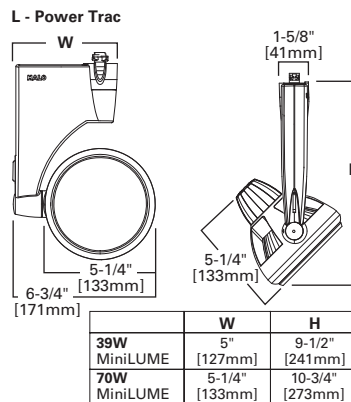
Specifications and dimensions subject to change without notice. Consult your Cooper Lighting Representative or visit www.cooperlighting.com for available options, accessories and ordering information.

FEATURES

- Provides a high-efficiency adjustable beam of light
- Available in 20W, 39W and 70W with T4.5 lamp / G8.5 base
- Convenient integral on/off switch provides individual control
- Lockable rotation and tilt
- Lamp housing adjusts ±90° providing full aiming adjustment
- Lens media options available
- Finishes: White (P), Black (MB) and Silver (SL)

Compliances may not apply to all product configurations. Please consult the product spec sheet for compliance details.

COMPLIANCES: UL/cUL Listed, EMI/RFI Compliant



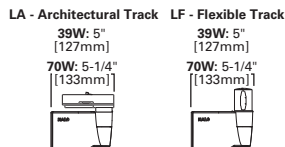
L5300 MINILUME ADJUSTABLE BEAM

ORDERING INFORMATION^A

SAMPLE NUMBER: L530039ECGPL

Lampholder	Ballast	Reflector Finish	Finish	Lamp
L5300 =For use with Halo Power-Trac and Lazer Track LA5300 =For use with Halo Architectural Track LF5300 =For use with Halo Flexible Track	39E =39W Electronic Ballast 70E =70W Electronic Ballast	CG =Commercial Gold Reflector Finish SC =Specular Clear Reflector Finish	MB =Black MB/GY =Black with Grey Knob and Trim Ring P =White P/GY =White with Gray Knob and Trim Ring SL =Silver	L =Lamp Included
Type	Style	Accessories (ordered separately)		
[Blank] =Accent SS =Super Spot WW =Wall Wash	[Blank] =Open Back CB =Closed Back	L200 Series =Color Filters or Beam Modifying Lenses Z79 =39W T4.5 CMH Lamp Z80 =70W T4.5 CMH Lamp		

NOTES: Δ Lamp always included.



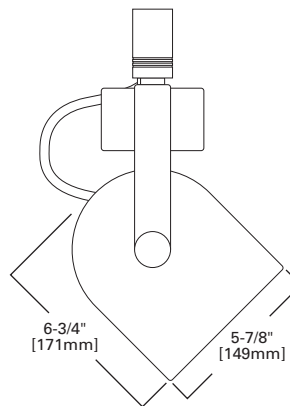
Track System	Track Information
Halo Single and 2-Circuit	L650, L651, L652, L653, L641, L642, L643, L611, L612, L613, L1631, L1632
Halo 4-Circuit	L963 Converter required for use with Halo 4-Circuit: L621, L622, L623
Halo "LA" Architectural	LA631, LA632, LA633
Flexible Track	LF4, LF8

FEATURES

- Designed to provide high light output with metal halide PAR lamps
- Die-cast and extruded aluminum construction
- Accepts media and accessories
- 330° horizontal rotation and 0° to 90° vertical pivot
- Finishes: White (P) and Black (MB)

Compliances may not apply to all product configurations. Please consult the product spec sheet for compliance details.

COMPLIANCES: UL Listed, CSA Listed



L5038 ECONOMY METAL HALIDE PAR LAMPHOLDER

ORDERING INFORMATION

SAMPLE NUMBER: L503870MB

Track System	Lampholder	Ballast	Finishes	Voltage
L=Halo and Lazer Track (Except 4-Circuit Track) LA=Halo Architectural	5038 =MH PAR38 Lampholder	100 =100W Electronic Ballast 70 =70W Electronic Ballast	MB =Black P =White with Black Baffle	277 =277V (for Halo Architectural and RSA Busway Only) [Blank] =120V
Accessories (Order Separately)				
1964 =Barn Doors	L300 Series Color Filters L312 =Warm Red Color Filter L314 =Ultraviolet Color Filter	L320 =Daylight Blue Color Filter L330 =Straw Color Filter	L331 =Medium Amber Color Filter L341 =Medium Green Color Filter	

Track System	Track Information
Halo Track	Halo Single and 2-Circuit: L650, L651, L652, L653, L641, L642, L643, L611, L612, L613, L1631, L1632

Specifications and dimensions subject to change without notice. Consult your Cooper Lighting Representative or visit www.cooperlighting.com for available options, accessories and ordering information.



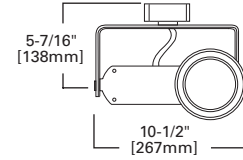
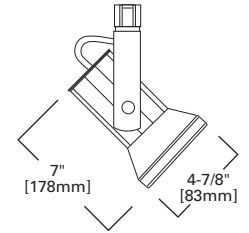
**L5130 PAR30
METAL HALIDE
LAMPHOLDER**

FEATURES

- Designed to provide high light output with metal halide PAR30 lamps
- Die-cast and extruded aluminum construction
- 35W and 70W electronic ballast available
- Accepts media and accessories
- Finishes: White (P) and Black (MB)

Compliances may not apply to all product configurations. Please consult the product spec sheet for compliance details.

COMPLIANCES: UL Listed, CSA Listed



ORDERING INFORMATION^A

SAMPLE NUMBER: L513035EMB

Track System	Lampholder	Ballast	Finishes	Voltage
L=Halo and Lazer Power-Trac LA=Halo Architectural	5130=MH PAR30 Lampholder	35E=35W Electronic Ballast 70E=70W Electronic Ballast	MB=Black P=White	277=277V (for Halo Architectural Only) [Blank]=120V

Accessories (Order Separately)

- L1963=Barn Doors
- L1973=Canopy Adapter
- L230=Accessory Clips
- L251=Accessory Holder
- L275=Deep Cell Louver

L200 Series Color Filters

- L211=Medium Pink
- L212=Warm Red Color Filter (use with L1963 or L251)
- L214=Ultraviolet

L220=Daylight Blue

- L221=Medium Blue Color Filter (Use with L1963 or L251.)
- L231=Medium Amber Color Filter (Use with L1963 or L251.)
- L241=Medium Green Color Filter (Use with L1963 or L251.)

NOTES: Δ The correct wattage ballast must be specified for the intended lamp wattage. Complete unit consists of housing, ballast and finish. Δ Must be relamped with Phillips Master Color Metal Halide PAR20 and PAR30L.

Track System	Track Information
Halo Single and 2-Circuit	L650, L651, L652, L653, L641, L642, L643, L611, L612, L613, L1631, L1632
Halo "LA" Architectural	LA631, LA632, LA633



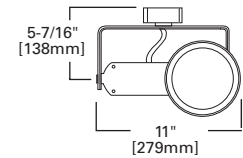
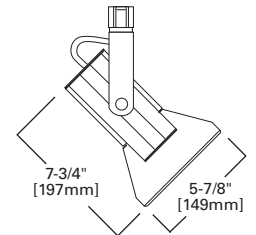
**L5138 PAR38
METAL HALIDE
LAMPHOLDER**

FEATURES

- Designed to provide high light output with metal halide PAR lamps
- Accepts media and accessories
- Die-cast and extruded aluminum construction
- Finishes: White (P) and Black (MB)

Compliances may not apply to all product configurations. Please consult the product spec sheet for compliance details.

COMPLIANCES: UL Listed, CSA Listed



ORDERING INFORMATION^A

SAMPLE NUMBER: L513870EMB

Track System	Lampholder	Ballast	Finishes	Voltage
L=Halo and Lazer Power-Trac LA=Halo Architectural	5138=MH PAR38 Lampholder	100E=100W Electronic Ballast 70E=70W Electronic Ballast	MB=Black P=White	277=277V (for Halo Architectural Only) [Blank]=120V

Accessories (Order Separately)

- 1964=Barn Doors
- L1973=Canopy Adapter

L300 Series Color Filters

- L312=Warm Red Color Filter (use with L1964)
- L314=UV Filter (use with L1964)
- L320=Daylight Blue Color Filter (use with L1964)

L330=Straw Color Filter (use with L1964)

- L331=Medium Amber Color Filter (Use with L1964.)
- L341=Medium Green Color Filter (Use with L1964.)

NOTES: Δ Must be relamped with Phillips Master Color Metal Halide PAR 38 Lamps Only.

Track System	Track Information
Halo Single and 2-Circuit	L650, L651, L652, L653, L641, L642, L643, L611, L612, L613, L1631, L1632
Halo "LA" Architectural	LA631, LA632, LA633

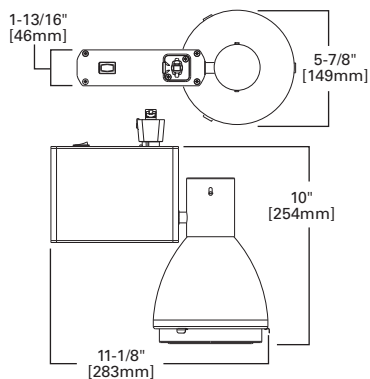
Specifications and dimensions subject to change without notice. Consult your Cooper Lighting Representative or visit www.cooperlighting.com for available options, accessories and ordering information.

FEATURES

- Integral precision optic provide even illumination
- ED17 lamp types
- 70W and 100W ballast options
- Convenient integral on/off switch provides individual control
- 338° horizontal rotation and 0° to 90° vertical pivot
- Finishes: White (P) and Black (MB)

Compliances may not apply to all product configurations. Please consult the product spec sheet for compliance details.

COMPLIANCES: UL/cUL Listed



**LZR510 ED17
PAR LAMP
METAL HALIDE
LAMPHOLDER**

ORDERING INFORMATION

SAMPLE NUMBER: LZR51070EP17FL

Lampholder	Ballast	Finish	Lamp Type	Distribution	Accessories (Order Separately)
LZR510=Universal Lampholder	100E=100W Electronic Ballast 70E=70W Electronic Ballast	MB=Black P=White	17=ED17 metal halide	FL=Flood NF=Narrow Flood SP=Spot	L200=4-11/16" Color Filters L275=Cube Cell Louver

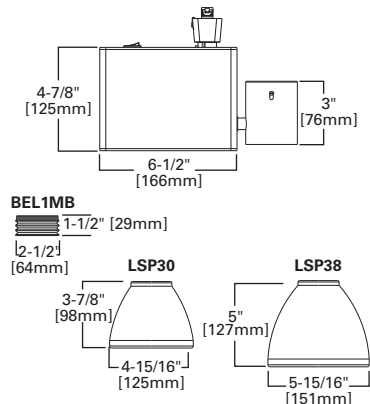
Track System	Track Information
Halo Single and 2-Circuit	L650, L651, L652, L653, L641, L642, L643, L611, L612, L613, L1631, L1632
Halo 4-Circuit	L963 Converter required for use with Halo 4-Circuit: L621, L622, L623
Halo "LA" Architectural	LA1L Converter required for use with Halo "LA" Linear Architectural Track: LA631, LA632, LA633
Lazer Track	LZR102, LZR104, LZR106, LZR108

FEATURES

- Track fixture designed to create eye catching displays
- Convenient integral on/off switch provides individual control
- 335° horizontal rotation and 0° to 90° vertical pivot
- Finishes: White (P) and Black (MB)

Compliances may not apply to all product configurations. Please consult the product spec sheet for compliance details.

COMPLIANCES: UL/cUL Listed



**LZR510 PAR LAMP
METAL HALIDE
LAMPHOLDER**

ORDERING INFORMATION^Δ

SAMPLE NUMBER: LZR51039EMB

Lampholder	Ballast	Finish	Accessories (Order Separately)
LZR510=Universal Lampholder	100E=100W Electronic Ballast (PAR38) 39E=39W Electronic Ballast (PAR30L) 70E=70W Electronic Ballast (PAR30L or PAR38)	MB=Black (L and LA Only) P=White	BEL1MB=Flat Black Silicone Bellows LSP30 (P OR MB)=PAR30L Shade LSP38 (P OR MB)=PAR38 Shade

NOTES: Δ The correct wattage ballast must be specified for the intended lamp wattage. Complete unit consists of housing, ballast and finish.

Track System	Track Information
Halo Single and 2-Circuit	L650, L651, L652, L653, L641, L642, L643, L611, L612, L613, L1631, L1632
Halo 4-Circuit	L963 Converter required for use with Halo 4-Circuit: L621, L622, L623
Halo "LA" Architectural	LA1L Converter required for use with Halo "LA" Linear Architectural Track: LA631, LA632, LA633
Lazer Track	LZR102, LZR104, LZR106, LZR108



FEATURES

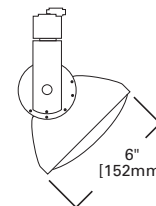
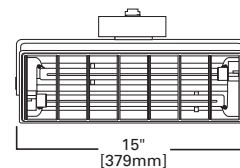
- Ideal for wallwashing in retail stores, public and commercial areas
- Specular reflector provides optical control and low iridescence
- Louver and reflector form a continuous light path with no gaps
- Unobtrusive angle indicators are provided to enable consistent aiming
- Finishes: White (P) and Black (MB)
- Lamps: Two 18W F18BX compact fluorescent lamps (not included)

Compliances may not apply to all product configurations. Please consult the product spec sheet for compliance details.

COMPLIANCES: UL Listed, CSA Listed



L3218E PARA TRAC CFL WALL WASHER



Max. Extension:
8-1/8" [205mm]

ORDERING INFORMATION

SAMPLE NUMBER: L3218EP

Track System ¹	Lampholder	Finish	Voltage	Louver (Order Separately)
L=Halo Power-Trac LA=Halo Architectural	3218E=18W	MB=Black P=White	277=277V (for Halo Architectural Only) [Blank]=120V	LVR3218MB=Black LVR3218P=White LVR3218SC=Specular

NOTES: 1. Not for use with 4-circuit track.



FEATURES

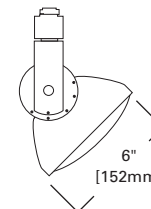
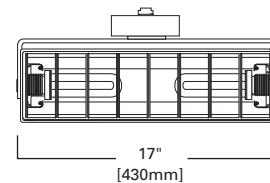
- Ideal for wallwashing in retail stores, public and commercial areas
- Specular reflector provides optical control and low iridescence
- Louver and reflector form a continuous light path with no gaps
- Unobtrusive angle indicators are provided to enable consistent aiming
- Finishes: White (P) and Black (MB)
- Lamps: Two 32W F32TTT compact fluorescent lamps (not included)

Compliances may not apply to all product configurations. Please consult the product spec sheet for compliance details.

COMPLIANCES: UL Listed, CSA Listed



L3232E PARA TRAC TRIPLE TWIN CFL WALL WASHER



Max. Extension:
8-1/8" [205mm]

ORDERING INFORMATION

SAMPLE NUMBER: L3232EMB

Track System ¹	Lampholder	Finish	Voltage	Louver (Order Separately)
L=Halo and Lazer Power-Trac LA=Halo Linear Architectural	3232E=32W	MB=Black P=White	277=277V (for Halo Architectural Only) [Blank]=120V	LVR3232MB=Black LVR3232P=White LVR3232SC=Specular

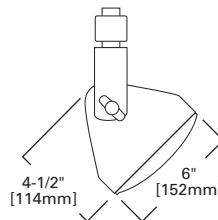
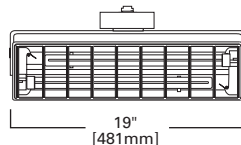
NOTES: 1. Not for use with 4-circuit track.

FEATURES

- Ideal for wallwashing in retail stores, public and commercial areas
- Specular reflector provides optical control and low iridescence
- Louver and reflector form a continuous light path with no gaps
- Unobtrusive angle indicators are provided to enable consistent aiming
- Finishes: White (P) and Black (MB)
- Lamps: Two 39W F39BX compact fluorescent lamps (not included)

Compliances may not apply to all product configurations. Please consult the product spec sheet for compliance details.

COMPLIANCES: UL Listed, CSA Listed



Max. Extension:
8-1/8" [205mm]

L3239E PARA TRAC CFL WALL WASHER

ORDERING INFORMATION⁴

SAMPLE NUMBER: L3239EMB

Track System ¹	Lampholder	Finish	Voltage	Louver (Order Separately)
L=Halo Power-Trac LA=Halo Architectural	3239E=39W	MB=Black P=White	277=277V (for Halo Architectural Only) [Blank]=120V	LVR3239MB=Black LVR3239P=White LVR3239SC=Specular

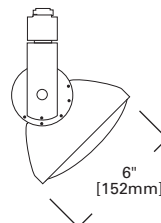
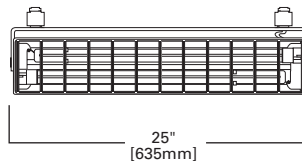
NOTES: 1. Not for use with 4-circuit track.

FEATURES

- Ideal for wallwashing in retail stores, public and commercial areas
- Multiple wattage and compact fluorescent lamp options available
- Specular reflector provides optical control and low iridescence
- Louver and reflector form a continuous light path with no gaps
- Unobtrusive angle indicators are provided to enable consistent aiming
- Finishes: White (P) and Black (MB)
- Lamps: Two 40W, 50W, 55W F40BX compact fluorescent

Compliances may not apply to all product configurations. Please consult the product spec sheet for compliance details.

COMPLIANCES: UL Listed, CSA Listed



Max. Extension:
8-1/8" [205mm]

L3240E, L3250E, L3255E PARA TRAC CFL WALL WASHER

ORDERING INFORMATION

SAMPLE NUMBER: L3240EP

Track System	Lampholder	Finish	Voltage	Louver (Order Separately)
L=Halo Power-Trac LA=Halo Architectural	3240E=40W 3250E=50W 3255E=55W	MB=Black P=White	277=277V (for Halo Architectural Only) [Blank]=120V	LVR3240MB=Black LVR3240P=White LVR3240SC=Specular

Specifications and dimensions subject to change without notice. Consult your Cooper Lighting Representative or visit www.cooperlighting.com for available options, accessories and ordering information.



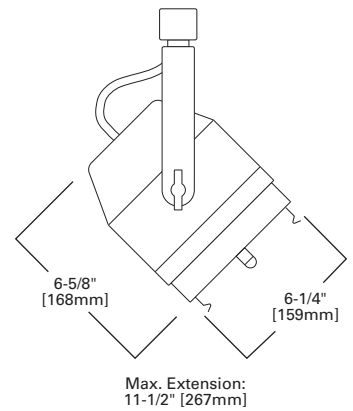
L3750 ALTO
HIGH INTENSITY
DISPLAY
LAMPHOLDER

FEATURES

- Ideal for use where high intensity interior light is needed
- Housing is spun aluminum with baked enamel finish
- Yoke allows two axis rotation for maximum aiming adjustability
- Arm allows 330° rotation and 0° to 90° vertical pivot
- Finishes: White (P) and Black (MB)

Compliances may not apply to all product configurations. Please consult the product spec sheet for compliance details.

COMPLIANCES: UL Listed, CSA Listed



Lamp*	Accessories (Order Separately)	Track System	Track Information
250W PAR38	L1968 Barn Doors L200 Series Filters L214 UV Filter L275 Louver	Halo Single and 2-Circuit	L650, L651, L652, L653, L641, L642, L643, L611, L612, L613, L1631, L1632
		Halo 4-Circuit	L963 Converter required for use with Halo 4-Circuit: L621, L622, L623
		Halo "LA" Architectural	LA1L Converter required for use with Halo "LA" Linear Architectural Track: LA631, LA632, LA633
		Lazer Track	LZR102, LZR104, LZR106, LZR108

NOTES: *Lamp not included.



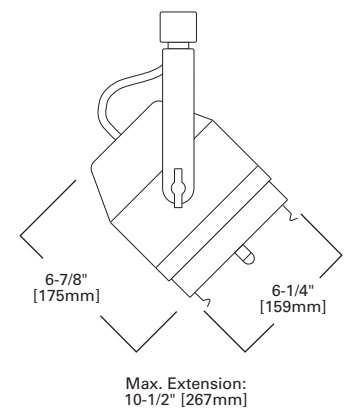
L3751 LV ALTO
HIGH INTENSITY
DISPLAY
LAMPHOLDER

FEATURES

- Ideal for use where high intensity interior light is needed
- Housing is spun aluminum with baked enamel finish
- Integral multi-tap magnetic transformer
- Yoke allows two axis rotation for maximum aiming adjustability
- Arm allows 330° rotation and 0° to 90° vertical pivot
- Finishes: White (P) and Black (MB)

Compliances may not apply to all product configurations. Please consult the product spec sheet for compliance details.

COMPLIANCES: UL Listed, CSA Listed



Lamp*	Accessories (Order Separately)	Track System	Track Information
50W 12V PAR36 25W 5.5V PAR36	L1968 Barn Doors L200 Series Filters L214 UV Filter L275 Louver	Halo Single and 2-Circuit	L650, L651, L652, L653, L641, L642, L643, L611, L612, L613, L1631, L1632
		Halo 4-Circuit	L963 Converter required for use with Halo 4-Circuit: L621, L622, L623
		Halo "LA" Architectural	LA1L Converter required for use with Halo "LA" Linear Architectural Track: LA631, LA632, LA633
		Lazer Track	LZR102, LZR104, LZR106, LZR108

NOTES: *Lamp not included.



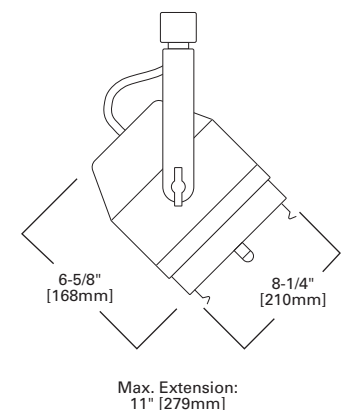
L3754 ALTO
HIGH INTENSITY
DISPLAY
LAMPHOLDER

FEATURES

- Ideal for use where high intensity interior light is needed
- Housing is spun aluminum with baked enamel finish
- Yoke allows two axis rotation for maximum aiming adjustability
- Arm allows 330° rotation and 0° to 90° vertical pivot
- Finishes: White (P) and Black (MB)

Compliances may not apply to all product configurations. Please consult the product spec sheet for compliance details.

COMPLIANCES: UL Listed, CSA Listed



Lamp*	Accessories (Order Separately)	Track System	Track Information
Q500W PAR56	L1970 Barn Doors L300 Series Filters L314 UV Filter L277 Louver	Halo Single and 2-Circuit	L650, L651, L652, L653, L641, L642, L643, L611, L612, L613, L1631, L1632
		Halo 4-Circuit	L963 Converter required for use with Halo 4-Circuit: L621, L622, L623
		Halo "LA" Architectural	LA1L Converter required for use with Halo "LA" Linear Architectural Track: LA631, LA632, LA633
		Lazer Track	LZR102, LZR104, LZR106, LZR108

NOTES: *Lamp not included.

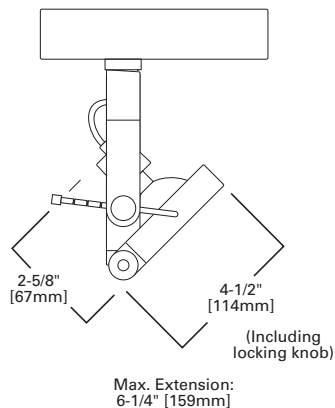
Specifications and dimensions subject to change without notice. Consult your Cooper Lighting Representative or visit www.cooperlighting.com for available options, accessories and ordering information.

FEATURES

- Provides effective task or accent lighting
- Yoke allows two axis rotation for maximum aiming adjustability
- Finishes: White (P) and Black (MB)
- Lamps: MR16, PAR30 and PAR38 lamp options available

Compliances may not apply to all product configurations. Please consult the product spec sheet for compliance details.

COMPLIANCES: UL Listed, CSA Listed



L3700 LV BACHETTA WITH TRANSFORMER

Lamp*	Accessories (Order Separately)	Track System	Track Information
75W 12V MR16	L114 UV Filter L100 Series Filters L200 Baffle	Halo Single and 2-Circuit Lazer Track	L650, L651, L652, L653, L641, L642, L643, L611, L612, L613, L1631, L1632 LZR102, LZR104, LZR106, LZR108

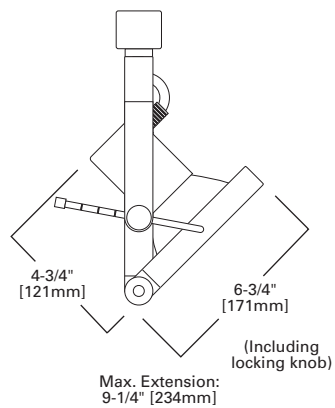
NOTES: *Lamp not included.

FEATURES

- Provides effective task or accent lighting
- Yoke allows two axis rotation for maximum aiming adjustability
- Finishes: White (P) and Black (MB)
- Lamps: 75W PAR30

Compliances may not apply to all product configurations. Please consult the product spec sheet for compliance details.

COMPLIANCES: UL Listed, CSA Listed



L3703 BACHETTA

Lamp*	Accessories (Order Separately)	Track System	Track Information
75W PAR30	L1967 Barn Doors L214 UV Filter L200 Series Filters L275 Cube Cell Louver Accessory clips supplied with fixture.	Halo Single and 2-Circuit Halo 4-Circuit Halo "LA" Architectural Lazer Track	L650, L651, L652, L653, L641, L642, L643, L611, L612, L613, L1631, L1632 L963 Converter required for use with Halo 4-Circuit: L621, L622, L623 LA1L Converter required for use with Halo "LA" Linear Architectural Track: LA631, LA632, LA633 LZR102, LZR104, LZR106, LZR108

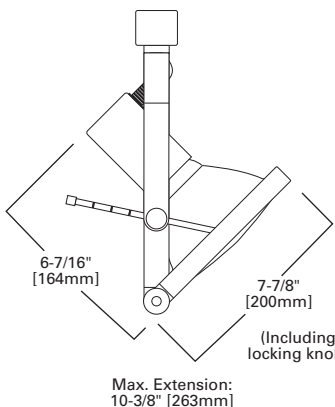
NOTES: *Lamp not included.

FEATURES

- Provides effective task or accent lighting
- Yoke allows two axis rotation for maximum aiming adjustability
- Finishes: White (P) and Black (MB)
- Lamps: MR16, PAR30 and PAR38 lamp options available

Compliances may not apply to all product configurations. Please consult the product spec sheet for compliance details.

COMPLIANCES: UL Listed, CSA Listed



L3705 BACHETTA

Lamp*	Accessories (Order Separately)	Track System	Track Information
150W PAR38	L1967 Barn Doors L214 UV Filter L200 Series Filters L275 Cube Cell Louver Accessory clips supplied with fixture.	Halo Single and 2-Circuit Halo 4-Circuit Halo "LA" Architectural Lazer Track	L650, L651, L652, L653, L641, L642, L643, L611, L612, L613, L1631, L1632 L963 Converter required for use with Halo 4-Circuit: L621, L622, L623 LA1L Converter required for use with Halo "LA" Linear Architectural Track: LA631, LA632, LA633 LZR102, LZR104, LZR106, LZR108

NOTES: *Lamp not included.

Specifications and dimensions subject to change without notice. Consult your Cooper Lighting Representative or visit www.cooperlighting.com for available options, accessories and ordering information.



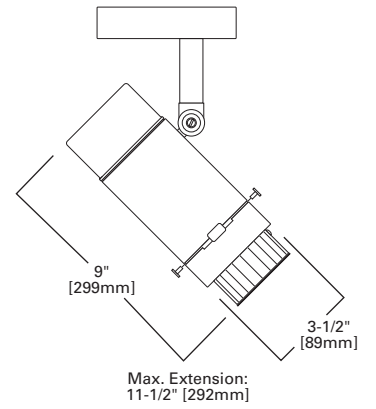
L2756 LV FRAMING PROJECTOR WITH TRANSFORMER

FEATURES

- Ideal for applications requiring precise framed illumination
- Extruded aluminum housing with polycarbonate casing
- Stem allows two axis rotation for maximum aiming adjustability
- Four framing shutters provide precise beam control
- Finishes: White (P) and Black (MB)
- Lamps: 75W MR16

Compliances may not apply to all product configurations. Please consult the product spec sheet for compliance details.

COMPLIANCES: UL Listed, CSA Listed



Lamp*	Accessories (Order Separately)	Track System	Track Information
75W 12V MR16	L256 Iris	Halo Single and 2-Circuit Lazer Track	L650, L651, L652, L653, L641, L642, L643, L611, L612, L613, L1631, L1632 LZR102, LZR104, LZR106, LZR108

NOTES: *Lamp not included.

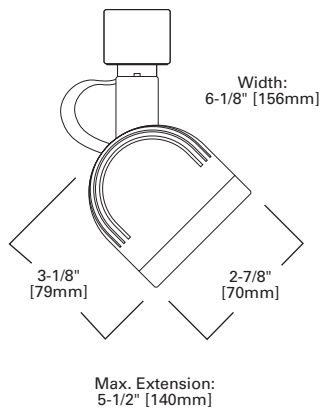
Specifications and dimensions subject to change without notice. Consult your Cooper Lighting Representative or visit www.cooperlighting.com for available options, accessories and ordering information.

FEATURES

- Front plate removes and installs without tools for relamping
- Die-cast housing with with grooved cooling fins
- Integral 12V magnetic transformer
- 338° horizontal rotation and 0° to 90° vertical pivot
- Quick-lock adapter attaches anywhere along the track channel
- Finishes: White (P) and Black (MB)

Compliances may not apply to all product configurations. Please consult the product spec sheet for compliance details.

COMPLIANCES: UL Listed, CSA Listed



**L1760 LV
MICRO STYLE
INTEGRAL 12V
TRANSFORMER**

Lamp*	Accessories (Order Separately)	Track System	Track Information
50W 12V MR16	L100 Filters L100 Lenses L1955 Concentrator L200 Baffle	Halo Single and 2-Circuit	L650, L651, L652, L653, L641, L642, L643, L611, L612, L613, L1631, L1632
		Halo 4-Circuit	L963 Converter required for use with Halo 4-Circuit: L621, L622, L623
		Halo "LA" Architectural	LA1L Converter required for use with Halo "LA" Linear Architectural Track: LA631, LA632, LA633
		Lazer Track	LZR102, LZR104, LZR106, LZR108

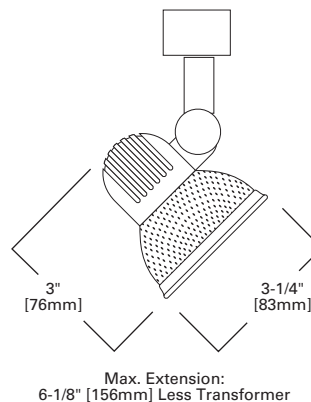
NOTES: *Lamp not included.

FEATURES

- Provides effective task or accent lighting
- Die-cast yoke with polycarbonate casing
- Yoke allows two axis rotation for maximum aiming adjustability
- Finishes: White (P) and Black (MB)
- Lamps: supports PAR36 and MR16

Compliances may not apply to all product configurations. Please consult the product spec sheet for compliance details.

COMPLIANCES: UL Listed, CSA Listed



**L2701 LOW
VOLTAGE
FIXTURE WITH
PERFORATED
SHADE**

Lamp*	Track System	Track Information
50W 12V MR16	Halo Single and 2-Circuit	L2001 Transformer required for use with Halo Single and 2-Circuit: L650, L651, L652, L653, L641, L642, L643, L611, L612, L613, L1631, L1632
	Lazer Track	L2001 Transformer required for Lazer Track: LZR102, LZR104, LZR106, LZR108

NOTES: *Lamp not included.



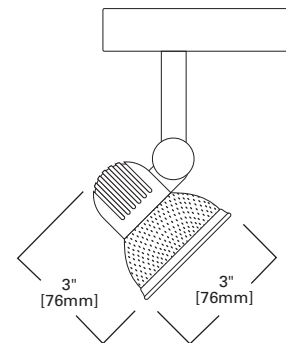
L2702 LV PERFORATED SHADE WITH 12V TRANSFORMER

FEATURES

- Provides effective task or accent lighting
- Die-cast yoke with polycarbonate casing
- Yoke allows two axis rotation for maximum aiming adjustability
- Finishes: White (P) and Black (MB)
- Lamps: supports PAR36 and MR16

Compliances may not apply to all product configurations. Please consult the product spec sheet for compliance details.

COMPLIANCES: UL Listed, CSA Listed



Max. Extension:
7-1/4" [184mm]

Lamp*	Track System	Track Information
75W 12V MR16	Halo Single and 2-Circuit Lazer Track	L650, L651, L652, L653, L641, L642, L643, L611, L612, L613, L1631, L1632 LZR102, LZR104, LZR106, LZR108

NOTES: *Lamp not included.



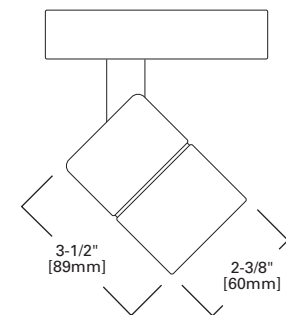
L2770 LV MICRO STYLE WITH INTEGRAL 12V TRANSFORMER

FEATURES

- Provides effective task or accent lighting
- Die-cast yoke with polycarbonate casing
- Yoke allows two axis rotation for maximum aiming adjustability
- Finishes: White (P) and Black (MB)
- Lamps: supports PAR36 and MR16

Compliances may not apply to all product configurations. Please consult the product spec sheet for compliance details.

COMPLIANCES: UL Listed, CSA Listed



Width:
3-1/3" [85mm] Max. Extension:
6-3/4" [171mm]

Lamp*	Accessories (Order Separately)	Track System	Track Information
75W 12V MR16	L100 Series Filters L100 Series Lenses Unit will accept up to 2 filters and 2 lenses or a combination of both.	Halo Single and 2-Circuit Lazer Track	L650, L651, L652, L653, L641, L642, L643, L611, L612, L613, L1631, L1632 LZR102, LZR104, LZR106, LZR108

NOTES: *Lamp not included.

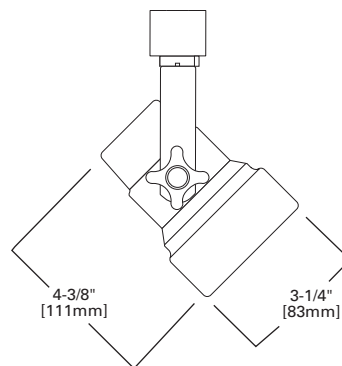
Specifications and dimensions subject to change without notice. Consult your Cooper Lighting Representative or visit www.cooperlighting.com for available options, accessories and ordering information.

FEATURES

- Provides effective task or accent lighting
- Formed metal housing for optimal heat dissipation
- Yoke allows two axis rotation for maximum aiming adjustability
- Finishes: White (P), Black (MB) and Silver (SL)
- Lamps: supports PAR 20/16

Compliances may not apply to all product configurations. Please consult the product spec sheet for compliance details.

COMPLIANCES: UL Listed, CSA Listed



Max. Extension:
7-1/4" [184mm]



L1820 PAR20
STUDIO

Lamp*	Track System	Track Information
50W PAR20 75W PAR16	Halo Single and 2-Circuit	L650, L651, L652, L653, L641, L642, L643, L611, L612, L613, L1631, L1632
	Halo 4-Circuit	L963 Converter required for use with Halo 4-Circuit: L621, L622, L623
	Halo "LA" Architectural	LA1L Converter required for use with Halo "LA" Linear Architectural Track: LA631, LA632, LA633
	Lazer Track	LZR102, LZR104, LZR106, LZR108

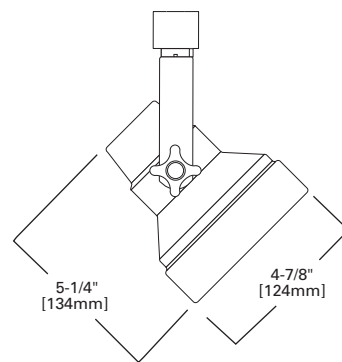
NOTES: *Lamp not included.

FEATURES

- Provides effective task or accent lighting
- Formed metal housing for optimal heat dissipation
- Large easy to use adjustment knob locks in aiming angles
- 338° horizontal rotation and 0° to 90° vertical pivot
- Finishes: White (P), Black (MB) and Silver (SL)

Compliances may not apply to all product configurations. Please consult the product spec sheet for compliance details.

COMPLIANCES: UL Listed, CSA Listed



Max. Extension:
8-13/16" [224mm]



L1830 PAR30
STUDIO

Lamp*	Accessories (Order Separately)	Track System	Track Information
75W PAR30	L1976MB Barn Doors (Accepts 4-11/16" L200 Series Lenses and L275 Louver) L252 Media Holder (Accepts 3-3/4" L400 Series Lenses and L274 Louver)	Halo Single and 2-Circuit	L650, L651, L652, L653, L641, L642, L643, L611, L612, L613, L1631, L1632
		Halo 4-Circuit	L963 Converter required for use with Halo 4-Circuit: L621, L622, L623
		Halo "LA" Architectural	LA1L Converter required for use with Halo "LA" Linear Architectural Track: LA631, LA632, LA633
		Lazer Track	LZR102, LZR104, LZR106, LZR108

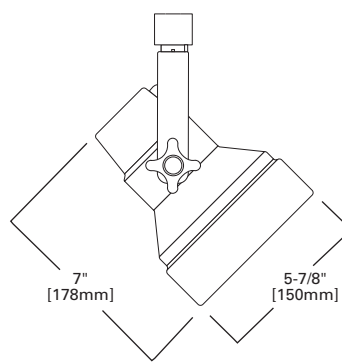
NOTES: *Lamp not included.

FEATURES

- Provides effective task or accent lighting
- Formed metal housing for optimal heat dissipation
- Yoke allows two axis rotation for maximum aiming adjustability
- Finishes: White (P), Black (MB) and Silver (SL)
- Lamps: supports PAR16/20/30/38 and MR16

Compliances may not apply to all product configurations. Please consult the product spec sheet for compliance details.

COMPLIANCES: UL Listed, CSA Listed



Max. Extension:
10-3/4" [273mm]



L1838 PAR38
STUDIO

Lamp*	Accessories (Order Separately)	Track System	Track Information
250W PAR38	L1977 Barn Doors (Accepts 6-5/16" L300 Series Lenses and L277 Louver) L352 Media Holder (Accepts 4-11/16" L200 Series Lenses and L275 Louver)	Halo Single and 2-Circuit	L650, L651, L652, L653, L641, L642, L643, L611, L612, L613, L1631, L1632
		Halo 4-Circuit	L963 Converter required for use with Halo 4-Circuit: L621, L622, L623
		Halo "LA" Architectural	LA1L Converter required for use with Halo "LA" Linear Architectural Track: LA631, LA632, LA633
		Lazer Track	LZR102, LZR104, LZR106, LZR108

NOTES: *Lamp not included.

Specifications and dimensions subject to change without notice. Consult your Cooper Lighting Representative or visit www.cooperlighting.com for available options, accessories and ordering information.



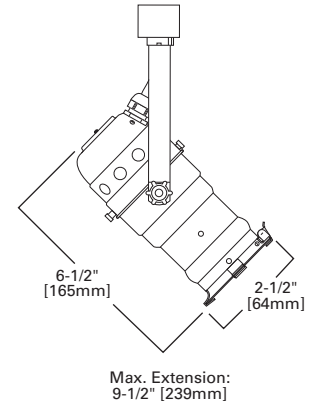
L1806 PAR20
STUDIO CLASSIC

FEATURES

- Provides effective task or accent lighting
- Formed metal housing for optimal heat dissipation
- Yoke allows two axis rotation for maximum aiming adjustability
- Finishes: Black (MB) and Polished Aluminum (PAL)
- Lamp: supports PAR16/20/30/38 and MR16 lamps

Compliances may not apply to all product configurations. Please consult the product spec sheet for compliance details.

COMPLIANCES: UL Listed, CSA Listed



Lamp*	Accessories (Order Separately)	Track System	Track Information
50W PAR20 75W PAR16	L1978MB Black Barn Door Shutters L1978PAL Polished Aluminum Barn Door Shutters	Halo Single and 2-Circuit Halo 4-Circuit Halo "LA" Architectural Lazer Track	L650, L651, L652, L653, L641, L642, L643, L611, L612, L613, L1631, L1632 L963 Converter required for use with Halo 4-Circuit: L621, L622, L623 LA1L Converter required for use with Halo "LA" Linear Architectural Track: LA631, LA632, LA633 LZR102, LZR104, LZR106, LZR108

NOTES: *Lamp not included.



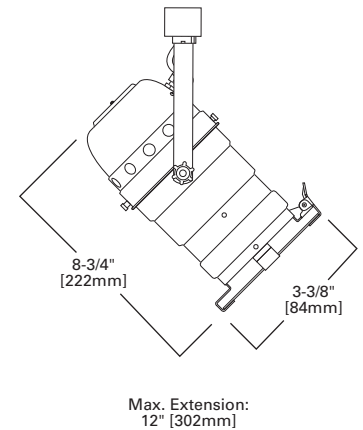
L1807 PAR30
STUDIO CLASSIC

FEATURES

- Provides effective task or accent lighting
- Formed metal housing for optimal heat dissipation
- Yoke allows two axis rotation for maximum aiming adjustability
- Finishes: Black (MB) and Polished Aluminum (PAL)
- Lamp: supports PAR16/20/30/38 and MR16 lamps

Compliances may not apply to all product configurations. Please consult the product spec sheet for compliance details.

COMPLIANCES: UL Listed, CSA Listed



Lamp*	Accessories (Order Separately)	Track System	Track Information
75W PAR30	L1979MB Black Barn Door Shutters L1979PAL Polished Aluminum Barn Door Shutters	Halo Single and 2-Circuit Halo 4-Circuit Halo "LA" Architectural Lazer Track	L650, L651, L652, L653, L641, L642, L643, L611, L612, L613, L1631, L1632 L963 Converter required for use with Halo 4-Circuit: L621, L622, L623 LA1L Converter required for use with Halo "LA" Linear Architectural Track: LA631, LA632, LA633 LZR102, LZR104, LZR106, LZR108

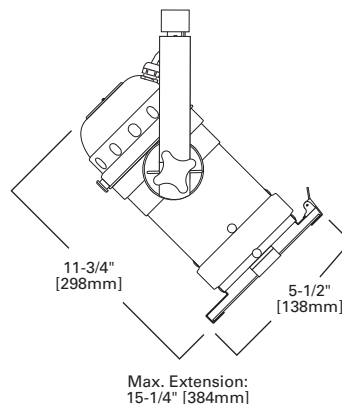
NOTES: *Lamp not included.

FEATURES

- Provides effective task or accent lighting
- Formed metal housing for optimal heat dissipation
- Yoke allows two axis rotation for maximum aiming adjustability
- Finishes: Black (MB) and Polished Aluminum (PAL)
- Lamp: supports PAR16/20/30/38 and MR16 lamps

Compliances may not apply to all product configurations. Please consult the product spec sheet for compliance details.

COMPLIANCES: UL Listed, CSA Listed



**L1808 PAR38
STUDIO CLASSIC**

Lamp*	Accessories (Order Separately)	Track System	Track Information
250W PAR38	L1980MB Black Barn Door Shutters L1980PAL Polished Aluminum Barn Door Shutters	Halo Single and 2-Circuit	L650, L651, L652, L653, L641, L642, L643, L611, L612, L613, L1631, L1632
		Halo 4-Circuit	L963 Converter required for use with Halo 4-Circuit: L621, L622, L623
		Halo "LA" Architectural	LA1L Converter required for use with Halo "LA" Linear Architectural Track: LA631, LA632, LA633
		Lazer Track	LZR102, LZR104, LZR106, LZR108

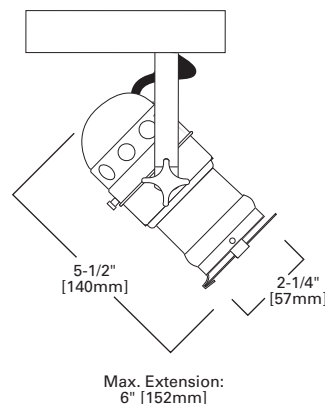
NOTES: *Lamp not included.

FEATURES

- Provides effective task or accent lighting
- Formed metal housing for optimal heat dissipation
- Yoke allows two axis rotation for maximum aiming adjustability
- Arm allows 330° rotation and 0° to 90° vertical pivot
- Finishes: Black (MB) and Polished Aluminum (PAL)

Compliances may not apply to all product configurations. Please consult the product spec sheet for compliance details.

COMPLIANCES: UL Listed, CSA Listed



**L1816 LOW
VOLTAGE STUDIO
CLASSIC**

Lamp*	Accessories (Order Separately)	Track System	Track Information
75W 12V MR16	L100 Filters L100 Lenses L1984 Barn Door Shutters Media Holder (Included)	Halo Single and 2-Circuit	L650, L651, L652, L653, L641, L642, L643, L611, L612, L613, L1631, L1632
		Lazer Track	LZR102, LZR104, LZR106, LZR108

NOTES: *Lamp not included.



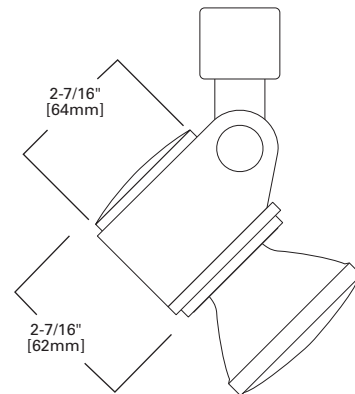
**L1701
SYMMETRICAL
UNIVERSAL**

FEATURES

- Body is polycarbonate construction
- Quick-lock adapter attaches anywhere along the track channel
- 338° horizontal rotation and 0° to 90° vertical pivot
- Finishes: White (P) and Black (MB)

Compliances may not apply to all product configurations. Please consult the product spec sheet for compliance details.

COMPLIANCES: UL Listed, CSA Listed



Lamp*	Accessories (Order Separately)	Track System	Track Information
75W PAR16 50W PAR20 75W PAR30 150W PAR38	L281 Perforated Shade L282 Perforated Shade L283 Light Shield L284 Light Shield L298 Bellows	Halo Single and 2-Circuit Halo 4-Circuit Halo "LA" Architectural Lazer Track	L650, L651, L652, L653, L641, L642, L643, L611, L612, L613, L1631, L1632 L963 Converter required for use with Halo 4-Circuit: L621, L622, L623 LA1L Converter required for use with Halo "LA" Linear Architectural Track: LA631, LA632, LA633 LZR102, LZR104, LZR106, LZR108

NOTES: *Lamp not included.



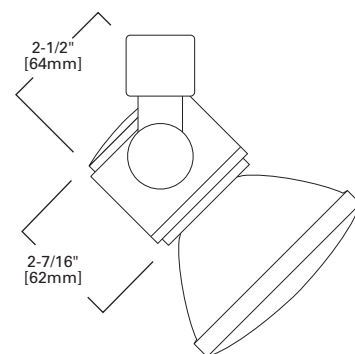
**L1702
ASYMMETRICAL
UNIVERSAL**

FEATURES

- Designed for use with a large variety of R and PAR lamps
- Finishes: White (P) and Black (MB)
- Accessory bellows, shades and shields available

Compliances may not apply to all product configurations. Please consult the product spec sheet for compliance details.

COMPLIANCES: UL Listed, CSA Listed



Max. Extension:
4" [102mm] (less lamp)

Lamp*	Accessories (Order Separately)	Track System	Track Information
75W PAR16 50W PAR20 75W PAR30 150W PAR38	L281 Perforated Shade L282 Perforated Shade L283 Light Shield L284 Light Shield L298 Bellows (Shown)	Halo Single and 2-Circuit Halo 4-Circuit Halo "LA" Architectural Lazer Track	L650, L651, L652, L653, L641, L642, L643, L611, L612, L613, L1631, L1632 L963 Converter required for use with Halo 4-Circuit: L621, L622, L623 LA1L Converter required for use with Halo "LA" Linear Architectural Track: LA631, LA632, LA633 LZR102, LZR104, LZR106, LZR108

NOTES: *Lamp not included.



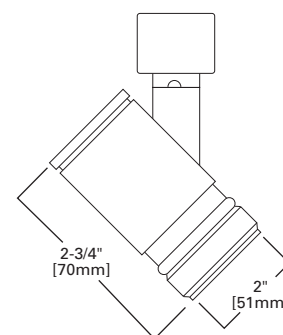
**L1735 UNIVERSAL
LAMPHOLDER**

FEATURES

- Sliding sleeve that conceals base of the lamp for a more finished look
- Quick-lock adapter attaches anywhere along the track channel
- 338° horizontal rotation and 0° to 90° vertical pivot
- Finishes: White (P) and Black (MB)

Compliances may not apply to all product configurations. Please consult the product spec sheet for compliance details.

COMPLIANCES: UL Listed, CSA Listed



Max. Extension:
3-3/8" [86mm] (Less Lamp)

Lamp*	Track System	Track Information
75W PAR16 50W PAR20 75W PAR30 150W PAR38	Halo Single and 2-Circuit Halo 4-Circuit Halo "LA" Architectural Lazer Track	L650, L651, L652, L653, L641, L642, L643, L611, L612, L613, L1631, L1632 L963 Converter required for use with Halo 4-Circuit: L621, L622, L623 LA1L Converter required for use with Halo "LA" Linear Architectural Track: LA631, LA632, LA633 LZR102, LZR104, LZR106, LZR108

NOTES: *Lamp not included.

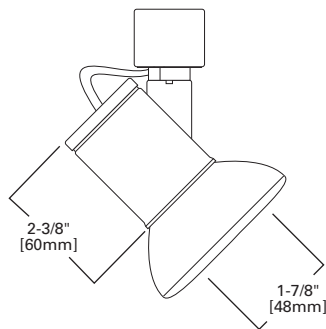
Specifications and dimensions subject to change without notice. Consult your Cooper Lighting Representative or visit www.cooperlighting.com for available options, accessories and ordering information.

FEATURES

- Designed for use with a large variety of R and PAR lamps
- Finishes: White (P) and Black (MB)
- Accessory bellows, shades and shields available

Compliances may not apply to all product configurations. Please consult the product spec sheet for compliance details.

COMPLIANCES: UL Listed, CSA Listed



Max. Extension:
3-1/2" [89mm]
(less lamp)



L4009 UNIVERSAL LAMPHOLDER

Lamp*	Accessories (Order Separately)	Track System	Track Information
300W R40 75W PAR16 50W PAR20 75W PAR30 250W PAR38	L4090 Perforated Shade L4091 Perforated Shade L4092 Perforated Shade	Halo Single and 2-Circuit Halo 4-Circuit Halo "LA" Architectural Lazer Track	L650, L651, L652, L653, L641, L642, L643, L611, L612, L613, L1631, L1632 L963 Converter required for use with Halo 4-Circuit: L621, L622, L623 LA1L Converter required for use with Halo "LA" Linear Architectural Track: LA631, LA632, LA633 LZR102, LZR104, LZR106, LZR108

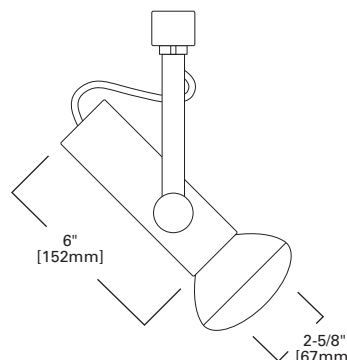
NOTES: *Lamp not included.

FEATURES

- Designed for use with a large variety of R and PAR lamps
- Finishes: White (P) and Black (MB)
- Accessory bellows, shades and shields available

Compliances may not apply to all product configurations. Please consult the product spec sheet for compliance details.

COMPLIANCES: UL Listed, CSA Listed



Max. Extension:
10-5/8" [270mm] (less lamp)



L700 UNIVERSAL LAMPHOLDER

Lamp*	Accessories (Order Separately)	Track System	Track Information
300W R 250W PAR38	Use L280 Light Shield with L200 color filters L272 Louvers L275 Louvers	Halo Single and 2-Circuit Halo 4-Circuit Halo "LA" Architectural Lazer Track	L650, L651, L652, L653, L641, L642, L643, L611, L612, L613, L1631, L1632 L963 Converter required for use with Halo 4-Circuit: L621, L622, L623 LA1L Converter required for use with Halo "LA" Linear Architectural Track: LA631, LA632, LA633 LZR102, LZR104, LZR106, LZR108

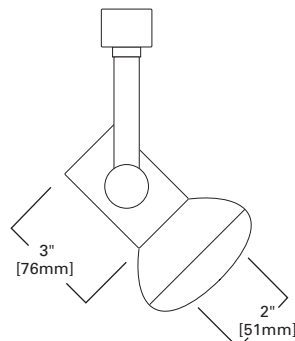
NOTES: *Lamp not included.

FEATURES

- Designed for use with a large variety of R and PAR lamps
- Finishes: White (P) and Black (MB)
- Accessory bellows, shades and shields available

Compliances may not apply to all product configurations. Please consult the product spec sheet for compliance details.

COMPLIANCES: UL Listed, CSA Listed



Max. Extension:
6" [152mm] (less lamp)



L702 UNIVERSAL LAMPHOLDER

Lamp*	Accessories (Order Separately)	Track System	Track Information
300W R 75W PAR16 50W PAR20 75W PAR30L (long neck lamp only)	Use L280 Light Shield with L200 Series Color Filters L272 Louvers L275 Louvers	Halo Single and 2-Circuit Halo 4-Circuit Halo "LA" Architectural Lazer Track	L650, L651, L652, L653, L641, L642, L643, L611, L612, L613, L1631, L1632 L963 Converter required for use with Halo 4-Circuit: L621, L622, L623 LA1L Converter required for use with Halo "LA" Linear Architectural Track: LA631, LA632, LA633 LZR102, LZR104, LZR106, LZR108

NOTES: *Lamp not included.

Specifications and dimensions subject to change without notice. Consult your Cooper Lighting Representative or visit www.cooperlighting.com for available options, accessories and ordering information.



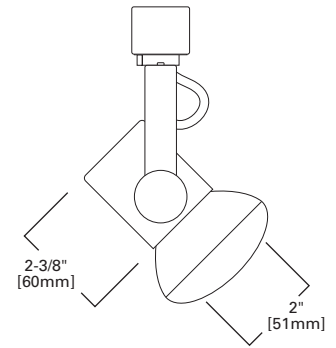
L703 UNIVERSAL LAMPHOLDER

FEATURES

- Designed for use with a large variety of R and PAR lamps
- 332° horizontal rotation and 0° to 90° vertical pivot
- Finishes: White (P) and Black (MB)

Compliances may not apply to all product configurations. Please consult the product spec sheet for compliance details.

COMPLIANCES: UL Listed, CSA Listed



Max. Extension:
5-1/2" [140mm] (less lamp)

Lamp*	Accessories (Order Separately)	Track System	Track Information
300W R 75W PAR16 50W PAR20 75W PAR30L (long neck lamp only) 150W PAR38	Use L280 Light Shield with L200 Series Color Filters L272 Louvers L275 Louvers	Halo Single and 2-Circuit Halo 4-Circuit Halo "LA" Architectural Lazer Track	L650, L651, L652, L653, L641, L642, L643, L611, L612, L613, L1631, L1632 L963 Converter required for use with Halo 4-Circuit: L621, L622, L623 LA1L Converter required for use with Halo "LA" Linear Architectural Track: LA631, LA632, LA633 LZR102, LZR104, LZR106, LZR108

NOTES: *Lamp not included.



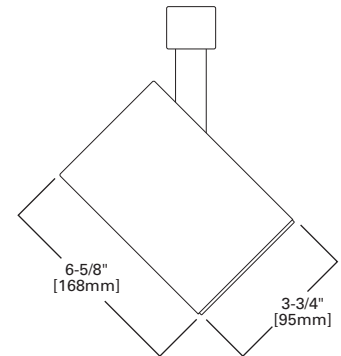
L1763 FLATBACK CYLINDER WITH BLACK BAFFLE

FEATURES

- Flatback Cylinders blend with any decor or color scheme
- Finishes: White (P) and Black (MB)
- Lamps: MR16, PAR16, PAR20, PAR30 and PAR38 lamp types available
- Variety of accessories available

Compliances may not apply to all product configurations. Please consult the product spec sheet for compliance details.

COMPLIANCES: UL Listed, CSA Listed



Max. Extension:
8-1/4" [210mm]

Lamp*	Accessories (Order Separately)	Track System	Track Information
Up to 50W 12V MR16	L1962 Barn Doors L100 Filters L100 Lenses L1955 Concentrator	Halo Single and 2-Circuit Halo 4-Circuit Halo "LA" Architectural Lazer Track	L650, L651, L652, L653, L641, L642, L643, L611, L612, L613, L1631, L1632 L963 Converter required for use with Halo 4-Circuit: L621, L622, L623 LA1L Converter required for use with Halo "LA" Linear Architectural Track: LA631, LA632, LA633 LZR102, LZR104, LZR106, LZR108

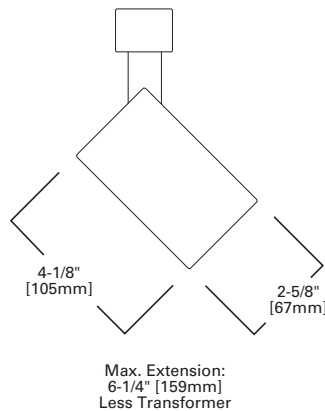
NOTES: *Lamp not included.

FEATURES

- Flatback Cylinders blend with any decor or color scheme
- Finishes: White (P) and Black (MB)
- Lamps: MR16, PAR16, PAR20, PAR30 and PAR38 lamp types available
- Variety of accessories available

Compliances may not apply to all product configurations. Please consult the product spec sheet for compliance details.

COMPLIANCES: UL Listed, CSA Listed



**L2761 LV
FLATBACK
CYLINDER WITH
SPRAY BAFFLE**

Lamp*	Accessories (Order Separately)	Track System	Track Information
50W 12V MR16	L100 Series Filters L100 Series Lenses	Halo Single and 2-Circuit	L2001 Transformer required for use with Halo Single and 2-Circuit: L650, L651, L652, L653, L641, L642, L643, L611, L612, L613, L1631, L1632
		Lazer Track	L2001 Transformer required for Lazer Track: LZR102, LZR104, LZR106, LZR108

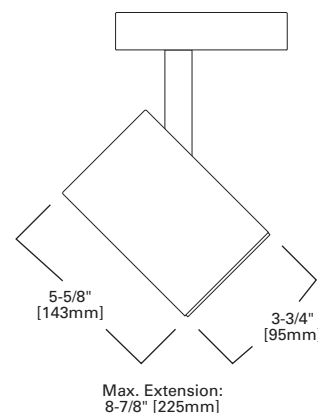
NOTES: *Lamp not included.

FEATURES

- Flatback Cylinders blend with any decor or color scheme
- Finishes: White (P) and Black (MB)
- Lamps: MR16, PAR16, PAR20, PAR30 and PAR38 lamp types available
- Variety of accessories available

Compliances may not apply to all product configurations. Please consult the product spec sheet for compliance details.

COMPLIANCES: UL Listed, CSA Listed



**L2771 FLATBACK
CYLINDER WITH
BLACK BAFFLE**

Lamp*	Accessories (Order Separately)	Track System	Track Information
75W 12V MR16	L100 Filters L100 Lenses L1955 Concentrator	Halo Single and 2-Circuit	L650, L651, L652, L653, L641, L642, L643, L611, L612, L613, L1631, L1632
		Lazer Track	LZR102, LZR104, LZR106, LZR108

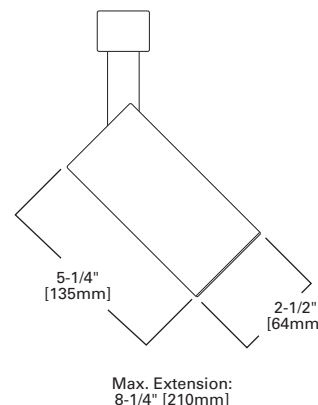
NOTES: *Lamp not included.

FEATURES

- Flatback Cylinders blend with any decor or color scheme
- Finishes: White (P) and Black (MB)
- Lamps: MR16 and PAR16 lamp types available
- Variety of accessories available

Compliances may not apply to all product configurations. Please consult the product spec sheet for compliance details.

COMPLIANCES: UL Listed, CSA Listed



**L761 FLATBACK
CYLINDER WITH
BAFFLE**

Lamp*	Track System	Track Information
40W R16 (Halo Z9)	Halo Single and 2-Circuit	L650, L651, L652, L653, L641, L642, L643, L611, L612, L613, L1631, L1632
60W PAR16	Halo 4-Circuit	L963 Converter required for use with Halo 4-Circuit: L621, L622, L623
	Halo "LA" Architectural	LA1L Converter required for use with Halo "LA" Linear Architectural Track: LA631, LA632, LA633
	Lazer Track	LZR102, LZR104, LZR106, LZR108

NOTES: *Lamp not included.

Specifications and dimensions subject to change without notice. Consult your Cooper Lighting Representative or visit www.cooperlighting.com for available options, accessories and ordering information.



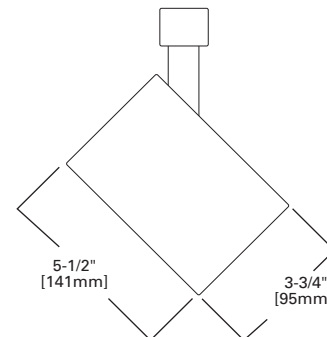
L762 FLATBACK CYLINDER WITH BAFFLE

FEATURES

- Flatback Cylinders blend with any decor or color scheme
- Finishes: White (P) and Black (MB)
- Lamps: PAR20 lamp types available
- Variety of accessories available

Compliances may not apply to all product configurations. Please consult the product spec sheet for compliance details.

COMPLIANCES: UL Listed, CSA Listed



Max. Extension:
7-1/2" [191mm]

Lamp*	Accessories (Order Separately)	Track System	Track Information
50W R20 50W PAR20 100W BR25 (Halo Z10)	L1962 Barn Doors	Halo Single and 2-Circuit	L650, L651, L652, L653, L641, L642, L643, L611, L612, L613, L1631, L1632
		Halo 4-Circuit	L963 Converter required for use with Halo 4-Circuit: L621, L622, L623
		Halo "LA" Architectural	LA1L Converter required for use with Halo "LA" Linear Architectural Track: LA631, LA632, LA633
		Lazer Track	LZR102, LZR104, LZR106, LZR108

NOTES: *Lamp not included.



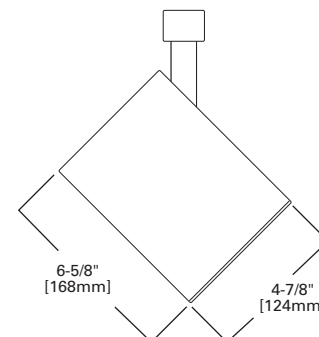
L763 FLATBACK CYLINDER WITH BAFFLE

FEATURES

- Flatback Cylinders blend with any decor or color scheme
- Finishes: White (P) and Black (MB)
- Lamps: PAR30 lamp types available
- Variety of accessories available

Compliances may not apply to all product configurations. Please consult the product spec sheet for compliance details.

COMPLIANCES: UL Listed, CSA Listed



Max. Extension:
8-3/4" [222mm]

Lamp*	Accessories (Order Separately)	Track System	Track Information
65W BR30 75W R30 75W PAR30 100W BR25 (Halo Z10)	L1963 Barn Doors	Halo Single and 2-Circuit	L650, L651, L652, L653, L641, L642, L643, L611, L612, L613, L1631, L1632
		Halo 4-Circuit	L963 Converter required for use with Halo 4-Circuit: L621, L622, L623
		Halo "LA" Architectural	LA1L Converter required for use with Halo "LA" Linear Architectural Track: LA631, LA632, LA633
		Lazer Track	LZR102, LZR104, LZR106, LZR108

NOTES: *Lamp not included.



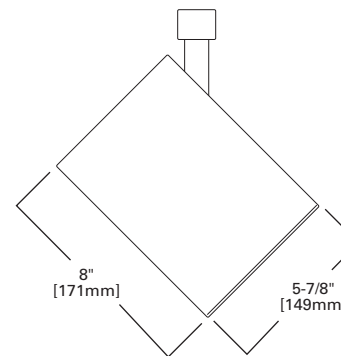
L764 FLATBACK CYLINDER WITH BAFFLE

FEATURES

- Flatback Cylinders blend with any decor or color scheme
- Finishes: White (P) and Black (MB)
- Lamps: PAR38 lamp types available
- Variety of accessories available

Compliances may not apply to all product configurations. Please consult the product spec sheet for compliance details.

COMPLIANCES: UL Listed, CSA Listed



Max. Extension:
9-7/8" [251mm]

Lamp*	Accessories (Order Separately)	Track System	Track Information
300W R40 250W PAR38	L1964 Barn Doors	Halo Single and 2-Circuit	L650, L651, L652, L653, L641, L642, L643, L611, L612, L613, L1631, L1632
		Halo 4-Circuit	L963 Converter required for use with Halo 4-Circuit: L621, L622, L623
		Halo "LA" Architectural	LA1L Converter required for use with Halo "LA" Linear Architectural Track: LA631, LA632, LA633
		Lazer Track	LZR102, LZR104, LZR106, LZR108

NOTES: *Lamp not included.

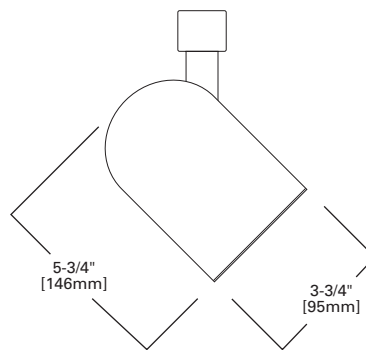
Specifications and dimensions subject to change without notice. Consult your Cooper Lighting Representative or visit www.cooperlighting.com for available options, accessories and ordering information.

FEATURES

- Ideal for accent and display lighting applications
- Deep drawn steel lamp housing with baked enamel finish
- Quick-lock adapter attaches anywhere along the track channel
- 338° horizontal rotation and 0° to 90° vertical pivot
- Molded plastic baffle in black finish

Compliances may not apply to all product configurations. Please consult the product spec sheet for compliance details.

COMPLIANCES: UL Listed, CSA Listed



Max. Extension:
6-3/4" [171mm]



**L1540
ROUNDBACK
CYLINDER WITH
BLACK BAFFLE**

Lamp*	Accessories (Order Separately)	Track System	Track Information
50W PAR20 50W R20 100W BR25 (Halo Z10)	L1962 Barn Doors Allows use of L200 Filters Allows use of L200 Louvers	Halo Single and 2-Circuit Halo 4-Circuit Halo "LA" Architectural Lazer Track	L650, L651, L652, L653, L641, L642, L643, L611, L612, L613, L1631, L1632 L963 Converter required for use with Halo 4-Circuit: L621, L622, L623 LA1L Converter required for use with Halo "LA" Linear Architectural Track: LA631, LA632, LA633 LZR102, LZR104, LZR106, LZR108

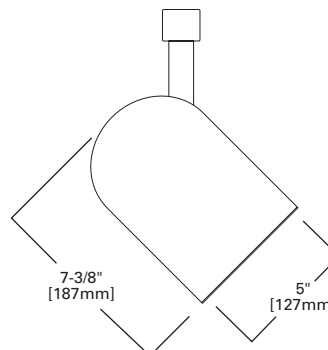
NOTES: *Lamp not included.

FEATURES

- Ideal for accent and display lighting applications
- Deep drawn steel lamp housing with baked enamel finish
- Quick-lock adapter attaches anywhere along the track channel
- 338° horizontal rotation and 0° to 90° vertical pivot
- Molded plastic baffle in black finish

Compliances may not apply to all product configurations. Please consult the product spec sheet for compliance details.

COMPLIANCES: UL Listed, CSA Listed



Max. Extension:
8-5/8" [219mm]



**L1542
ROUNDBACK
CYLINDER WITH
BLACK BAFFLE**

Lamp*	Accessories (Order Separately)	Track System	Track Information
75W BR30 75W R30 75W PAR30	L1963 Barn Doors	Halo Single and 2-Circuit Halo 4-Circuit Halo "LA" Architectural Lazer Track	L650, L651, L652, L653, L641, L642, L643, L611, L612, L613, L1631, L1632 L963 Converter required for use with Halo 4-Circuit: L621, L622, L623 LA1L Converter required for use with Halo "LA" Linear Architectural Track: LA631, LA632, LA633 LZR102, LZR104, LZR106, LZR108

NOTES: *Lamp not included.



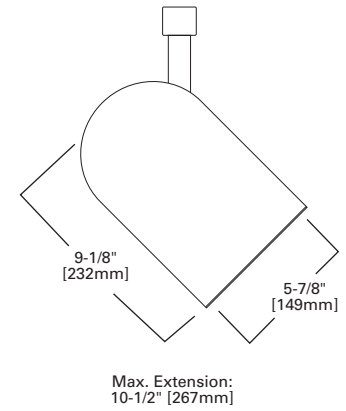
**L1543
ROUNDBACK
CYLINDER WITH
BLACK BAFFLE**

FEATURES

- Ideal for accent and display lighting applications
- Deep drawn steel lamp housing with vents in rear
- Lamps are various R/BR/PAR, A19 or MR16 type
- White (P), Matte Black (MB), White with White Baffle (P/W)

Compliances may not apply to all product configurations. Please consult the product spec sheet for compliance details.

COMPLIANCES: UL Listed, CSA Listed



Lamp*	Accessories (Order Separately)	Track System	Track Information
300W R40 250W PAR38	L1964 Barn Doors Allows use of L300 Filters Allows use of L277 Louver	Halo Single and 2-Circuit	L650, L651, L652, L653, L641, L642, L643, L611, L612, L613, L1631, L1632
		Halo 4-Circuit	L963 Converter required for use with Halo 4-Circuit: L621, L622, L623
		Halo "LA" Architectural	LA1L Converter required for use with Halo "LA" Linear Architectural Track: LA631, LA632, LA633
		Lazer Track	LZR102, LZR104, LZR106, LZR108

NOTES: *Lamp not included.



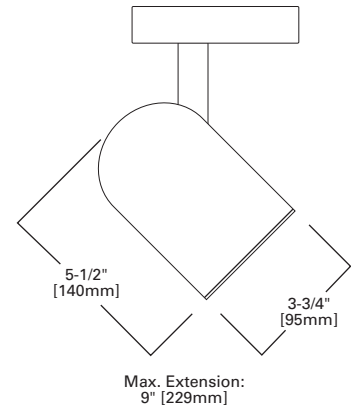
**L2740 LV
ROUNDBACK
CYLINDER WITH
TRANSFORMER**

FEATURES

- Ideal for accent and display lighting applications
- Deep drawn steel lamp housing with vents in rear
- Rotates 338° and adjusts vertically from 0° to 90° degrees
- Molded plastic baffle in black finish
- White (P), Matte Black (MB), White with White Baffle (P/W)

Compliances may not apply to all product configurations. Please consult the product spec sheet for compliance details.

COMPLIANCES: UL Listed, CSA Listed



Lamp*	Accessories (Order Separately)	Track System	Track Information
75W 12V MR16	L100 Color Filters L100 Color Lenses L1955 Concentrator	L1962 Barn Doors L275 Louver (requires barn doors)	L650, L651, L652, L653, L641, L642, L643, L611, L612, L613, L1631, L1632
		Halo Single and 2-Circuit	L650, L651, L652, L653, L641, L642, L643, L611, L612, L613, L1631, L1632
		Lazer Track	LZR102, LZR104, LZR106, LZR108

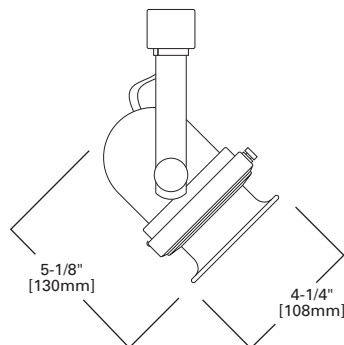
NOTES: *Lamp not included.

FEATURES

- Ideal for accent and display lighting applications
- Deep drawn steel lamp housing with steel yoke
- Lamps are various R/BR/PAR, A19 or MR16 type
- Yoke allows for horizontal and vertical rotation for maximum adjustment
- Finishes: White (P) and Antique Brass (AB)

Compliances may not apply to all product configurations. Please consult the product spec sheet for compliance details.

COMPLIANCES: UL Listed, CSA Listed



Max. Extension:
7-1/2" [191mm]



L1510 CLASSIC

Lamp*	Track System	Track Information
40W R16 (Halo Z9)	Halo Single and 2-Circuit	L650, L651, L652, L653, L641, L642, L643, L611, L612, L613, L1631, L1632
50W R20	Halo 4-Circuit	L963 Converter required for use with Halo 4-Circuit: L621, L622, L623
50W PAR20	Halo "LA" Architectural	LA1L Converter required for use with Halo "LA" Linear Architectural Track: LA631, LA632, LA633
60W PAR16	Lazer Track	LZR102, LZR104, LZR106, LZR108

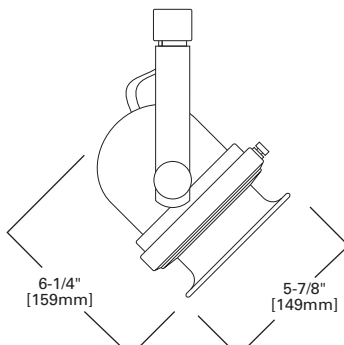
NOTES: *Lamp not included.

FEATURES

- Ideal for accent and display lighting applications
- Deep drawn steel lamp housing with steel yoke
- Quick-lock adapter attaches anywhere along the track channel
- Yoke allows for horizontal and vertical rotation for maximum adjustment
- Finishes: White (P) and Antique Brass (AB)

Compliances may not apply to all product configurations. Please consult the product spec sheet for compliance details.

COMPLIANCES: UL Listed, CSA Listed



Max. Extension:
8-3/4" [222mm]



L1511 CLASSIC

Lamp*	Track System	Track Information
65W BR30	Halo Single and 2-Circuit	L650, L651, L652, L653, L641, L642, L643, L611, L612, L613, L1631, L1632
75W R30	Halo 4-Circuit	L963 Converter required for use with Halo 4-Circuit: L621, L622, L623
100W BR25 (Halo Z10)	Halo "LA" Architectural	LA1L Converter required for use with Halo "LA" Linear Architectural Track: LA631, LA632, LA633
	Lazer Track	LZR102, LZR104, LZR106, LZR108

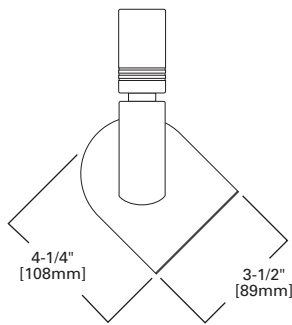
NOTES: *Lamp not included.

FEATURES

- Ideal for accent and display lighting applications
- Deep drawn steel lamp housing with steel yoke
- Quick-lock adapter attaches anywhere along the track channel
- 338° horizontal rotation and 0° to 90° vertical pivot
- Yoke allows for horizontal and vertical rotation for maximum adjustment
- Finishes: White (P), Black (MB) and White with White Baffle (P/W)

Compliances may not apply to all product configurations. Please consult the product spec sheet for compliance details.

COMPLIANCES: UL Listed, CSA Listed



Max. Extension:
7-1/2" [191mm]



L4010 COLLETTO
ROUND BACK
CYLINDER

Lamp*	Accessories (Order Separately)	Track System	Track Information
50W PAR20	L1971 Barn Doors	Halo Single and 2-Circuit	L650, L651, L652, L653, L641, L642, L643, L611, L612, L613, L1631, L1632
75W PAR16		Halo 4-Circuit	L963 Converter required for use with Halo 4-Circuit: L621, L622, L623
		Halo "LA" Architectural	LA1L Converter required for use with Halo "LA" Linear Architectural Track: LA631, LA632, LA633
		Lazer Track	LZR102, LZR104, LZR106, LZR108

NOTES: *Lamp not included.

Specifications and dimensions subject to change without notice. Consult your Cooper Lighting Representative or visit www.cooperlighting.com for available options, accessories and ordering information.

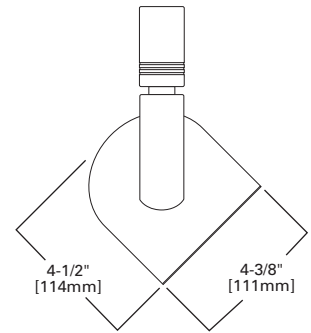


L4011 COLLETTO ROUND BACK CYLINDER

FEATURES

- Ideal for accent and display lighting applications
- Deep drawn steel lamp housing with steel yoke
- Quick-lock adapter attaches anywhere along the track channel
- 338° horizontal rotation and 0° to 90° vertical pivot
- Yoke allows for horizontal and vertical rotation for maximum adjustment
- Finishes: White (P), Black (MB) and White with White Baffle (P/W)

Compliances may not apply to all product configurations. Please consult the product spec sheet for compliance details.
COMPLIANCES: UL Listed, CSA Listed



Max. Extension:
7-3/4" [197mm]

Lamp*	Accessories (Order Separately)	Track System	Track Information
75W PAR30	L1972 Barn Doors L200 Series Filters L214 UV Filter L275 Louver	Halo Single and 2-Circuit	L650, L651, L652, L653, L641, L642, L643, L611, L612, L613, L1631, L1632
		Halo 4-Circuit	L963 Converter required for use with Halo 4-Circuit: L621, L622, L623
		Halo "LA" Architectural	LA1L Converter required for use with Halo "LA" Linear Architectural Track: LA631, LA632, LA633
		Lazer Track	LZR102, LZR104, LZR106, LZR108

NOTES: Barn Door accessory allows use of filters, lenses or louver. *Lamp not included.

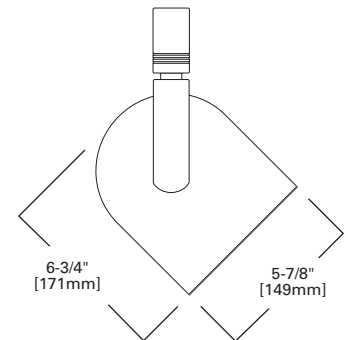


L4012 COLLETTO ROUND BACK CYLINDER

FEATURES

- Ideal for accent and display lighting applications
- Deep drawn steel lamp housing with steel yoke
- Quick-lock adapter attaches anywhere along the track channel
- 338° horizontal rotation and 0° to 90° vertical pivot
- Yoke allows for horizontal and vertical rotation for maximum adjustment
- Finishes: White (P), Black (MB) and White with White Baffle (P/W)

Compliances may not apply to all product configurations. Please consult the product spec sheet for compliance details.
COMPLIANCES: UL Listed, CSA Listed



Max. Extension:
10" [254mm]

Lamp*	Accessories (Order Separately)	Track System	Track Information
150W PAR38	L1964 Barn Doors L314 UV Filter L300 Series Filters L277 Louver	Halo Single and 2-Circuit	L650, L651, L652, L653, L641, L642, L643, L611, L612, L613, L1631, L1632
		Halo 4-Circuit	L963 Converter required for use with Halo 4-Circuit: L621, L622, L623
		Halo "LA" Architectural	LA1L Converter required for use with Halo "LA" Linear Architectural Track: LA631, LA632, LA633
		Lazer Track	LZR102, LZR104, LZR106, LZR108

NOTES: Barn Door accessory allows use of filters, lenses or louver. *Lamp not included.

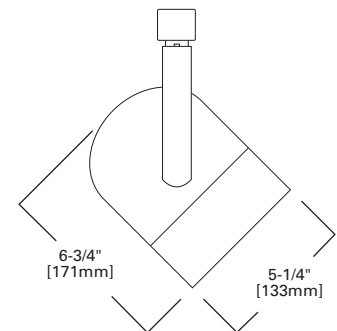


L855 ROUND BACK CYLINDER

FEATURES

- Ideal for accent and display lighting applications
- Deep drawn steel lamp housing with steel yoke
- Quick-lock adapter attaches anywhere along the track channel
- 338° horizontal rotation and 0° to 90° vertical pivot
- Yoke allows for horizontal and vertical rotation for maximum adjustment
- Finishes: White (P), Matte Black (MB)

Compliances may not apply to all product configurations. Please consult the product spec sheet for compliance details.
COMPLIANCES: UL Listed, CSA Listed



Max. Extension:
9-7/8" [251mm]

Lamp*	Accessories (Order Separately)	Track System	Track Information
150W PAR38	L200 Series Color Filters L200 Series Color Lenses L1965 Barn Doors (L276 Accessory Clips Required)	Halo Single and 2-Circuit	L650, L651, L652, L653, L641, L642, L643, L611, L612, L613, L1631, L1632
		Halo 4-Circuit	L963 Converter required for use with Halo 4-Circuit: L621, L622, L623
		Halo "LA" Architectural	LA1L Converter required for use with Halo "LA" Linear Architectural Track: LA631, LA632, LA633
		Lazer Track	LZR102, LZR104, LZR106, LZR108

NOTES: 120W maximum with lenses. *Lamp not included.

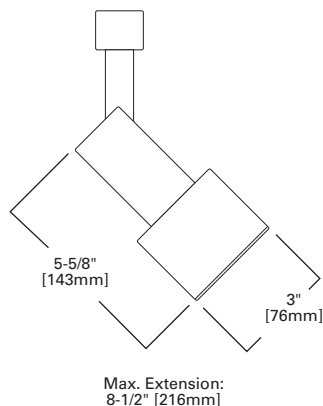
Specifications and dimensions subject to change without notice. Consult your Cooper Lighting Representative or visit www.cooperlighting.com for available options, accessories and ordering information.

FEATURES

- Ideal for accent and display lighting applications
- Quick-lock adapter attaches anywhere along the track channel
- Matching finish arm allows lampholder to rotate and adjust vertically
- Swivel maintains tensions to keep lampholder properly aimed
- 338° horizontal rotation and 0° to 90° vertical pivot
- Roll formed steel baffle available in black finish
- Finishes: White (P) and Matte Black (MB)

Compliances may not apply to all product configurations. Please consult the product spec sheet for compliance details.

COMPLIANCES: UL Listed, CSA Listed



L731
CONTINENTAL
CYLINDER WITH
BAFFLE

Lamp*	Track System	Track Information
40W R16 (Halo Z9) 60W PAR16 50W R20 50W PAR20	Halo Single and 2-Circuit	L650, L651, L652, L653, L641, L642, L643, L611, L612, L613, L1631, L1632
	Halo 4-Circuit	L963 Converter required for use with Halo 4-Circuit: L621, L622, L623
	Halo "LA" Architectural	LA1L Converter required for use with Halo "LA" Linear Architectural Track: LA631, LA632, LA633
	Lazer Track	LZR102, LZR104, LZR106, LZR108

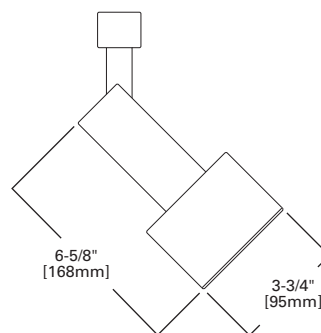
NOTES: *Lamp not included.

FEATURES

- Ideal for accent and display lighting applications
- Quick-lock adapter attaches anywhere along the track channel
- Matching finish arm allows lampholder to rotate and adjust vertically
- Swivel maintains tensions to keep lampholder properly aimed
- 338° horizontal rotation and 0° to 90° vertical pivot
- Roll formed steel baffle available in black finish
- Finishes: White (P) and Matte Black (MB)

Compliances may not apply to all product configurations. Please consult the product spec sheet for compliance details.

COMPLIANCES: UL Listed, CSA Listed



L732
CONTINENTAL
CYLINDER WITH
BAFFLE

Lamp*	Accessories (Order Separately)	Track System	Track Information
50W R20 50W PAR20 100W BR25 (Halo Z10)	L1962 Barn Doors	Halo Single and 2-Circuit	L650, L651, L652, L653, L641, L642, L643, L611, L612, L613, L1631, L1632
		Halo 4-Circuit	L963 Converter required for use with Halo 4-Circuit: L621, L622, L623
		Halo "LA" Architectural	LA1L Converter required for use with Halo "LA" Linear Architectural Track: LA631, LA632, LA633
		Lazer Track	LZR102, LZR104, LZR106, LZR108

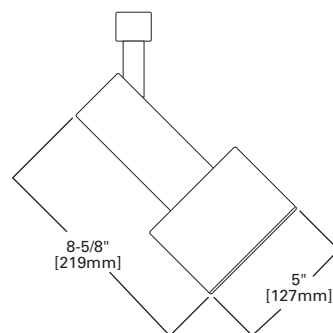
NOTES: *Lamp not included.

FEATURES

- Ideal for accent and display lighting applications
- Quick-lock adapter attaches anywhere along the track channel
- Matching finish arm allows lampholder to rotate and adjust vertically
- Baffle offered in white or black
- Swivel maintains tensions to keep lampholder properly aimed
- 338° horizontal rotation and 0° to 90° vertical pivot
- Finishes: White (P) and Matte Black (MB)

Compliances may not apply to all product configurations. Please consult the product spec sheet for compliance details.

COMPLIANCES: UL Listed, CSA Listed



L733
CONTINENTAL
CYLINDER WITH
BAFFLE

Lamp*	Accessories (Order Separately)	Track System	Track Information
65W BR30 75W R30 75W PAR30L 100W BR25 (Halo Z10)	L1963 Barn Doors	Halo Single and 2-Circuit	L650, L651, L652, L653, L641, L642, L643, L611, L612, L613, L1631, L1632
		Halo 4-Circuit	L963 Converter required for use with Halo 4-Circuit: L621, L622, L623
		Halo "LA" Architectural	LA1L Converter required for use with Halo "LA" Linear Architectural Track: LA631, LA632, LA633
		Lazer Track	LZR102, LZR104, LZR106, LZR108

NOTES: *Lamp not included.

Specifications and dimensions subject to change without notice. Consult your Cooper Lighting Representative or visit www.cooperlighting.com for available options, accessories and ordering information.



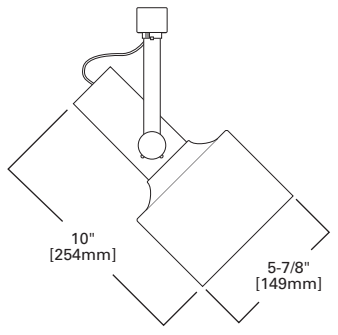
**L734
CONTINENTAL
CYLINDER WITH
BAFFLE**

FEATURES

- Ideal for accent and display lighting applications
- Quick-lock adapter attaches anywhere along the surface channel
- Matching finish arm allows lampholder to rotate and adjust vertically
- Baffle offered in white or black
- Swivel maintains tensions to keep lampholder properly aimed
- 338° horizontal rotation and 0° to 90° vertical pivot
- Finishes: White (P) and Matte Black (MB)

Compliances may not apply to all product configurations. Please consult the product spec sheet for compliance details.

COMPLIANCES: UL Listed, CSA Listed



Max. Extension:
12-5/8" [321mm]

Lamp*	Accessories (Order Separately)	Track System	Track Information
300W R40 250W PAR38	L1964 Barn Doors allows the use of: L300 Series Color Filters or L372 Concentric Ring Louver	Halo Single and 2-Circuit	L650, L651, L652, L653, L641, L642, L643, L611, L612, L613, L1631, L1632
		Halo 4-Circuit	L963 Converter required for use with Halo 4-Circuit: L621, L622, L623
		Halo "LA" Architectural	LA1L Converter required for use with Halo "LA" Linear Architectural Track: LA631, LA632, LA633
		Lazer Track	LZR102, LZR104, LZR106, LZR108

NOTES: *Lamp not included.

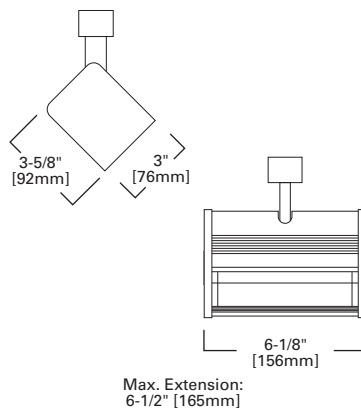
Specifications and dimensions subject to change without notice. Consult your Cooper Lighting Representative or visit www.cooperlighting.com for available options, accessories and ordering information.

FEATURES

- Ideal for wall washing commercial spaces
- Provides uniform illumination with sharp cutoff at top and bottom
- Quick-lock adapter attaches anywhere along the track channel
- Yoke allows for horizontal and vertical rotation for maximum adjustment
- 338° horizontal rotation and 0° to 90° vertical pivot
- Aluminum housing and end cap construction
- Finishes: White (P) and Matte Black (MB)

Compliances may not apply to all product configurations. Please consult the product spec sheet for compliance details.

COMPLIANCES: UL Listed, CSA Listed



Max. Extension:
6-1/2" [165mm]



L1752 QUARTZ WALL WASHER

Lamp*	Accessories (Order Separately)	Track System	Track Information
150W T-4 Tungsten Halogen Frosted Mini-Candelabra Base	L977 Barn Doors	Halo Single and 2-Circuit Lazer Track	L650, L651, L652, L653, L641, L642, L643, L611, L612, L613, L1631, L1632 LZR102, LZR104, LZR106, LZR108

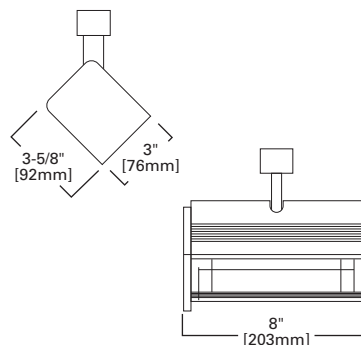
NOTES: *Lamp not included.

FEATURES

- Provides uniform illumination with sharp cutoff at top and bottom
- Quick-lock adapter attaches anywhere along the track channel
- Spring loaded end caps for easy relamping
- 338° horizontal rotation and 0° to 90° vertical pivot
- Finishes: White (P) and Matte Black (MB)

Compliances may not apply to all product configurations. Please consult the product spec sheet for compliance details.

COMPLIANCES: UL Listed, CSA Listed



Max. Extension:
6-1/2" [165mm]



L1753 QUARTZ WALL WASHER

Lamp*	Accessories (Order Separately)	Track System	Track Information
150W T-4 Tungsten Halogen Frosted Mini-Candelabra Base	L978 Barn Doors	Halo Single and 2-Circuit Lazer Track	L650, L651, L652, L653, L641, L642, L643, L611, L612, L613, L1631, L1632 LZR102, LZR104, LZR106, LZR108

NOTES: *Lamp not included.



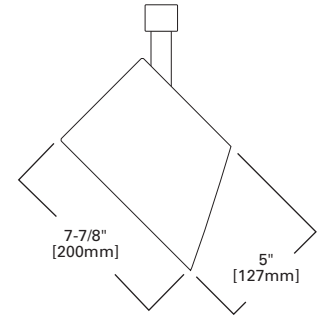
L1768 SCOOP WALL WASHER

FEATURES

- Designed to provide a pleasingly soft wall wash effect
- Quick-lock adapter attaches anywhere along the track channel
- Mounting arm allows lamp holder to rotate horizontally and vertically
- 338° horizontal rotation and 0° to 90° vertical pivot
- Finishes: White (P)

Compliances may not apply to all product configurations. Please consult the product spec sheet for compliance details.

COMPLIANCES: UL Listed, CSA Listed



Max. Extension:
11-1/2" [292mm]

Lamp*	Track System	Track Information
65W BR30	Halo Single and 2-Circuit	L650, L651, L652, L653, L641, L642, L643, L611, L612, L613, L1631, L1632
75W R30	Halo 4-Circuit	L963 Converter required for use with Halo 4-Circuit: L621, L622, L623
75W PAR30	Halo "LA" Architectural	LA1L Converter required for use with Halo "LA" Linear Architectural Track: LA631, LA632, LA633
	Lazer Track	LZR102, LZR104, LZR106, LZR108

NOTES: *Lamp not included.



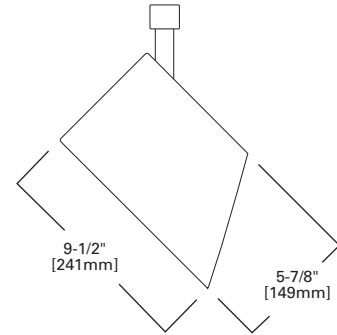
L1769 SCOOP WALL WASHER

FEATURES

- Designed to provide a pleasingly soft wall wash effect
- Quick-lock adapter attaches anywhere along the track channel
- Supports R30, R40 or PAR38 lamps
- Mounting arm allows lamp holder to rotate horizontally and vertically
- 338° horizontal rotation and 0° to 90° vertical pivot
- Finishes: White (P)

Compliances may not apply to all product configurations. Please consult the product spec sheet for compliance details.

COMPLIANCES: UL Listed, CSA Listed



Max. Extension:
13-1/4" [337mm]

Lamp*	Track System	Track Information
150/300W R40	Halo Single and 2-Circuit	L650, L651, L652, L653, L641, L642, L643, L611, L612, L613, L1631, L1632
150W PAR38	Halo 4-Circuit	L963 Converter required for use with Halo 4-Circuit: L621, L622, L623
	Halo "LA" Architectural	LA1L Converter required for use with Halo "LA" Linear Architectural Track: LA631, LA632, LA633
	Lazer Track	LZR102, LZR104, LZR106, LZR108

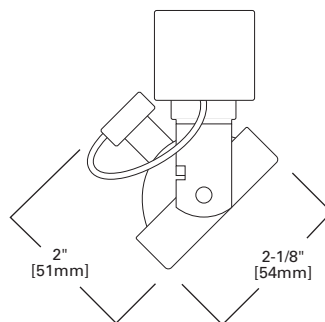
NOTES: *Lamp not included.

FEATURES

- Provides effective task or accent lighting
- Quick-lock adapter attaches anywhere along the track channel
- Yoke allows two axis rotation for maximum aiming adjustability
- 338° horizontal rotation and 0° to 90° vertical pivot
- Finishes: White (P) and Matte Black (MB)

Compliances may not apply to all product configurations. Please consult the product spec sheet for compliance details.

COMPLIANCES: UL Listed, CSA Listed



Max. Extension:
3-1/2" [89mm]



L2716 LOW VOLTAGE GIMBAL RING

Lamp*	Accessories (Order Separately)	Track System	Track Information
75W 12V MR16	L1960 Barn Doors L100 Series Color Filters L100 Series Color Lenses	L200 Baffle L1955 Concentrator	Halo Single and 2-Circuit L2001 Transformer required for use with Halo Single and 2-Circuit: L650, L651, L652, L653, L641, L642, L643, L611, L612, L613, L1631, L1632
		Lazer Track	L2001 Transformer required for Lazer Track: LZR102, LZR104, LZR106, LZR108

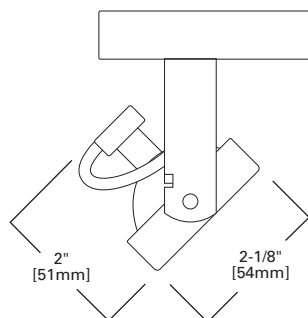
NOTES: Must be used with L2001 Electronic Transformer (Order Separately). *Lamp not included.

FEATURES

- Provides effective task or accent lighting
- Quick-lock adapter attaches anywhere along the track channel
- 338° horizontal rotation and 0° to 90° vertical pivot
- Yoke allows two axis rotation for maximum aiming adjustability
- Finishes: White (P) and Matte Black (MB)

Compliances may not apply to all product configurations. Please consult the product spec sheet for compliance details.

COMPLIANCES: UL Listed, CSA Listed



Max. Extension:
4-7/8" [124mm]



L2717 LV GIMBAL RING WITH INTEGRAL 12V TRANSFORMER

Lamp*	Accessories (Order Separately)	Track System	Track Information
75W 12V MR16	L1960 Barn Doors L100 Series Color Filters L100 Series Color Lenses	L200 Baffle L1955 Concentrator	Halo Single and 2-Circuit L650, L651, L652, L653, L641, L642, L643, L611, L612, L613, L1631, L1632
		Lazer Track	LZR102, LZR104, LZR106, LZR108

NOTES: *Lamp not included.

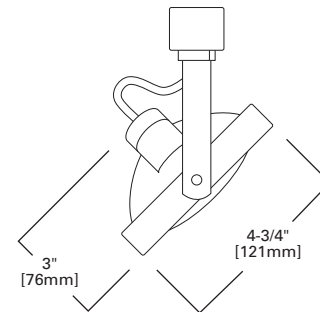


L2736 LOW VOLTAGE GIMBAL RING

FEATURES

- Provides effective task or accent lighting
- Quick-lock adapter attaches anywhere along the track channel
- Supports low voltage MR16 lamps
- Formed aluminum housing for optimal heat dissipation
- Yoke allows two axis rotation for maximum aiming adjustability
- 338° horizontal rotation and 0° to 90° vertical pivot
- Features easy-to-install snap-on lamp connector
- Finishes: White (P) and Matte Black (MB)

Compliances may not apply to all product configurations. Please consult the product spec sheet for compliance details.
COMPLIANCES: UL Listed, CSA Listed



Max. Extension:
 6-7/8" [175mm]
 Less Transformer

Lamp*	Accessories (Order Separately)	Track System	Track Information
50W 12V MR16	L1961 Barn Doors L200 Series Color Filters	L275 Louver L236 Accessory Clips	L2001 Transformer required for use with Halo Single and 2-Circuit: L650, L651, L652, L653, L641, L642, L643, L611, L612, L613, L1631, L1632
		Lazer Track	L2001 Transformer required for Lazer Track: LZR102, LZR104, LZR106, LZR108

NOTES: Must be used with L2001 Electronic Transformer (Order Separately). *Lamp not included.

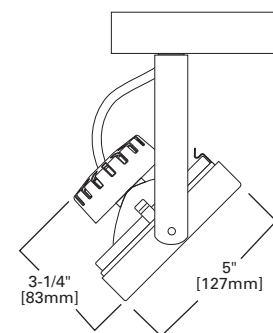


L2790 AR111 GIMBAL RING LAMPHOLDER

FEATURES

- Lamp contact housing shape provides consistent appearance
- Quick-lock adapter attaches anywhere along the track channel
- Front loading of the lamp allows ease of relamping
- 338° horizontal rotation and 0° to 90° vertical pivot
- Finishes: White (P) and Matte Black (MB)

Compliances may not apply to all product configurations. Please consult the product spec sheet for compliance details.
COMPLIANCES: UL Listed, CSA Listed



Max. Extension:
 8-1/2" [216mm]

Lamp*	Accessories (Order Separately)	Track System	Track Information
75W AR111	L200 Series Lenses L275 Cube Cell Louver	Halo Single and 2-Circuit Lazer Track	L650, L651, L652, L653, L641, L642, L643, L611, L612, L613, L1631, L1632 LZR102, LZR104, LZR106, LZR108

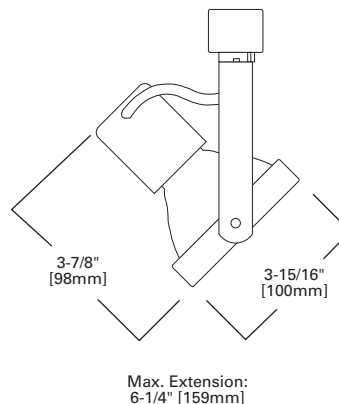
NOTES: *Lamp not included.

FEATURES

- Provides effective task or accent lighting
- Quick-lock adapter attaches anywhere along the track channel
- Formed aluminum housing for optimal heat dissipation
- Yoke allows two axis rotation for maximum aiming adjustability
- 338° horizontal rotation and 0° to 90° vertical pivot
- Finishes: White (P) and Matte Black (MB)
- Lamps: supports standard PAR and halogen PAR lamps

Compliances may not apply to all product configurations. Please consult the product spec sheet for compliance details.

COMPLIANCES: UL Listed, CSA Listed



L1730 GIMBAL RING

Lamp*	Accessories (Order Separately)	Track System	Track Information
75W PAR30	L230 Accessory Clips L1961 Barn Doors allows use of: L200 Series Color Filters and L275 Louver	Halo Single and 2-Circuit	L650, L651, L652, L653, L641, L642, L643, L611, L612, L613, L1631, L1632
		Halo 4-Circuit	L963 Converter required for use with Halo 4-Circuit: L621, L622, L623
		Halo "LA" Architectural	LA1L Converter required for use with Halo "LA" Linear Architectural Track: LA631, LA632, LA633
		Lazer Track	LZR102, LZR104, LZR106, LZR108

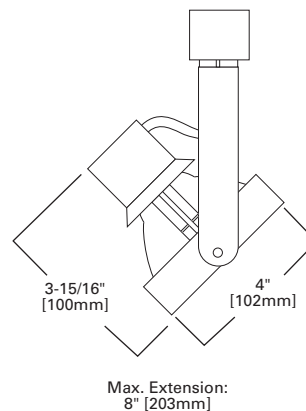
NOTES: *Lamp not included.

FEATURES

- Provides effective task or accent lighting
- Quick-lock adapter attaches anywhere along the track channel
- Formed aluminum housing for optimal heat dissipation
- Yoke allows two axis rotation for maximum aiming adjustability
- 338° horizontal rotation and 0° to 90° vertical pivot
- Finishes: White (P) and Matte Black (MB)
- Lamps: supports standard PAR and halogen PAR lamps

Compliances may not apply to all product configurations. Please consult the product spec sheet for compliance details.

COMPLIANCES: UL Listed, CSA Listed



L1731 FRONT LOADING GIMBAL RING

Lamp*	Track System	Track Information
75W PAR30	Halo Single and 2-Circuit	L650, L651, L652, L653, L641, L642, L643, L611, L612, L613, L1631, L1632
	Halo 4-Circuit	L963 Converter required for use with Halo 4-Circuit: L621, L622, L623
	Halo "LA" Architectural	LA1L Converter required for use with Halo "LA" Linear Architectural Track: LA631, LA632, LA633
	Lazer Track	LZR102, LZR104, LZR106, LZR108

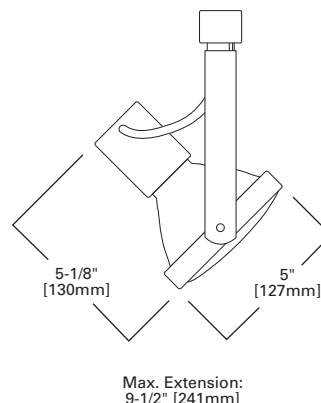
NOTES: *Lamp not included.

FEATURES

- Provides effective task or accent lighting
- Quick-lock adapter attaches anywhere along the track channel
- Formed aluminum housing for optimal heat dissipation
- Yoke allows two axis rotation for maximum aiming adjustability
- 338° horizontal rotation and 0° to 90° vertical pivot
- Finishes: White (P) and Matte Black (MB)
- Lamps: supports standard PAR and halogen PAR lamps

Compliances may not apply to all product configurations. Please consult the product spec sheet for compliance details.

COMPLIANCES: UL Listed, CSA Listed



L1738 GIMBAL RING

Lamp*	Accessories (Order Separately)	Track System	Track Information
250W PAR38	L1961 Barn Doors L200 Series Color Filters L200 Series Color Lenses L278 Accessory Clips	Halo Single and 2-Circuit	L650, L651, L652, L653, L641, L642, L643, L611, L612, L613, L1631, L1632
		Halo 4-Circuit	L963 Converter required for use with Halo 4-Circuit: L621, L622, L623
		Halo "LA" Architectural	LA1L Converter required for use with Halo "LA" Linear Architectural Track: LA631, LA632, LA633
		Lazer Track	LZR102, LZR104, LZR106, LZR108

NOTES: *Lamp not included.

Specifications and dimensions subject to change without notice. Consult your Cooper Lighting Representative or visit www.cooperlighting.com for available options, accessories and ordering information.



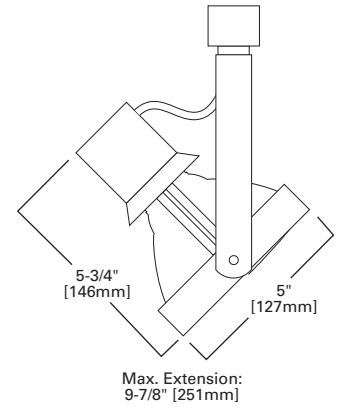
L1739 FRONT
LOADING GIMBAL
RING

FEATURES

- Provides effective task or accent lighting
- Quick-lock adapter attaches anywhere along the track channel
- Formed aluminum housing for optimal heat dissipation
- Yoke allows two axis rotation for maximum aiming adjustability
- 338° horizontal rotation and 0° to 90° vertical pivot
- Finishes: White (P) and Matte Black (MB)
- Lamps: supports standard PAR and halogen PAR lamps

Compliances may not apply to all product configurations. Please consult the product spec sheet for compliance details.

COMPLIANCES: UL Listed, CSA Listed



Lamp*	Track System	Track Information
250W PAR38	Halo Single and 2-Circuit	L650, L651, L652, L653, L641, L642, L643, L611, L612, L613, L1631, L1632
	Halo 4-Circuit	L963 Converter required for use with Halo 4-Circuit: L621, L622, L623
	Halo "LA" Architectural	LA1L Converter required for use with Halo "LA" Linear Architectural Track: LA631, LA632, LA633
	Lazer Track	LZR102, LZR104, LZR106, LZR108

NOTES: *Lamp not included.



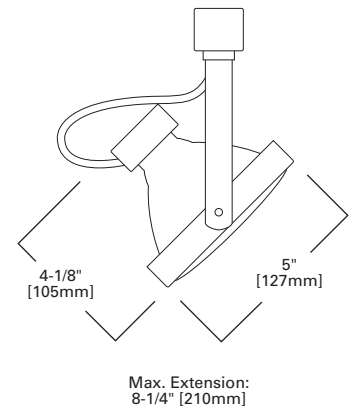
L2738 CLOSE
MOUNT GIMBAL
RING

FEATURES

- Provides effective task or accent lighting
- Quick-lock adapter attaches anywhere along the track channel
- Die formed gimbal ring with lamp retention springs
- Yoke allows two axis rotation for maximum aiming adjustability
- 338° horizontal rotation and 0° to 90° vertical pivot
- Finishes: White (P) and Matte Black (MB)
- Lamps: supports standard PAR and halogen PAR lamps

Compliances may not apply to all product configurations. Please consult the product spec sheet for compliance details.

COMPLIANCES: UL Listed, CSA Listed



Lamp*	Track System	Track Information
150W PAR38 Medium Side Prong Lamp	Halo Single and 2-Circuit	L650, L651, L652, L653, L641, L642, L643, L611, L612, L613, L1631, L1632
	Halo 4-Circuit	L963 Converter required for use with Halo 4-Circuit: L621, L622, L623
	Halo "LA" Architectural	LA1L Converter required for use with Halo "LA" Linear Architectural Track: LA631, LA632, LA633
	Lazer Track	LZR102, LZR104, LZR106, LZR108

NOTES: *Lamp not included.

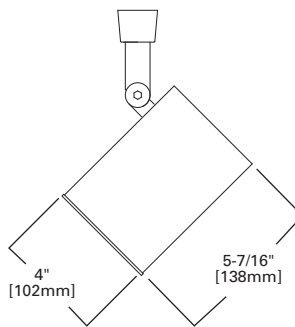
Specifications and dimensions subject to change without notice. Consult your Cooper Lighting Representative or visit www.cooperlighting.com for available options, accessories and ordering information.

FEATURES

- Flatback Cylinders blend with any decor or color scheme
- Quick-lock adapter attaches anywhere along the track channel
- 338° horizontal rotation and 0° to 90° vertical pivot
- Finishes: White (P), Matte Black (MB), White with White Baffle (P/W)

Compliances may not apply to all product configurations. Please consult the product spec sheet for compliance details.

COMPLIANCES: UL Listed, CSA Listed



Max. Extension:
9" [229mm]



LZR307 FLATBACK CYLINDER WITH BAFFLE

Lamp*	Track System	Track Information
50W R20	Halo Single and 2-Circuit	L650, L651, L652, L653, L641, L642, L643, L611, L612, L613, L1631, L1632
50W PAR20	Halo 4-Circuit	L963 Converter required for use with Halo 4-Circuit: L621, L622, L623
60W A19	Halo "LA" Architectural	LA1L Converter required for use with Halo "LA" Linear Architectural Track: LA631, LA632, LA633
	Lazer Track	LZR102, LZR104, LZR106, LZR108

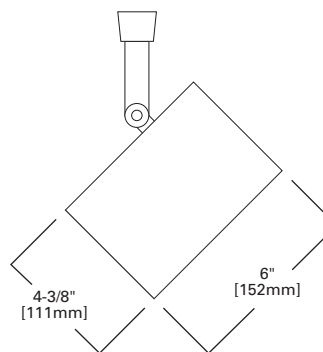
NOTES: *Lamp not included.

FEATURES

- Flatback Cylinders blend with any decor or color scheme
- Quick-lock adapter attaches anywhere along the track channel
- 338° horizontal rotation and 0° to 90° vertical pivot
- Finishes: White (P) and Matte Black (MB)

Compliances may not apply to all product configurations. Please consult the product spec sheet for compliance details.

COMPLIANCES: UL Listed, CSA Listed



Max. Extension:
10-1/4" [260mm]



LZR308 FLATBACK CYLINDER WITH BAFFLE

Lamp*	Track System	Track Information
65W BR30	Halo Single and 2-Circuit	L650, L651, L652, L653, L641, L642, L643, L611, L612, L613, L1631, L1632
75W R30	Halo 4-Circuit	L963 Converter required for use with Halo 4-Circuit: L621, L622, L623
75W PAR30	Halo "LA" Architectural	LA1L Converter required for use with Halo "LA" Linear Architectural Track: LA631, LA632, LA633
100W BR25	Lazer Track	LZR102, LZR104, LZR106, LZR108

NOTES: *Lamp not included.



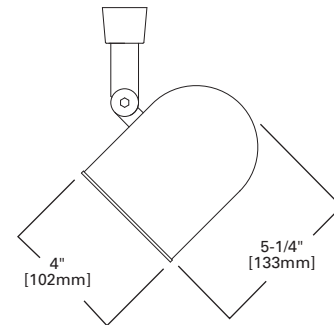
LZR301
ROUNDBACK
WITH BAFFLE

FEATURES

- Streamlined roundback fixture family
- Quick-lock adapter attaches anywhere along the track channel
- 338° horizontal rotation and 0° to 90° vertical pivot
- Matching arm allows lamp holder to rotate and adjust
- Finishes: White (P), Matte Black (MB), White with White Baffle (P/W)

Compliances may not apply to all product configurations. Please consult the product spec sheet for compliance details.

COMPLIANCES: UL Listed, CSA Listed



Max Extension
8-3/16" [208mm]

Lamp*	Track System	Track Information
50W R20 50W PAR20 60W A19	Halo Single and 2-Circuit	L650, L651, L652, L653, L641, L642, L643, L611, L612, L613, L1631, L1632
	Halo 4-Circuit	L963 Converter required for use with Halo 4-Circuit: L621, L622, L623
	Halo "LA" Architectural	LA1L Converter required for use with Halo "LA" Linear Architectural Track: LA631, LA632, LA633
	Lazer Track	LZR102, LZR104, LZR106, LZR108

NOTES: *Lamp not included.



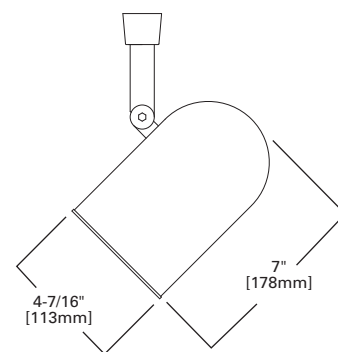
LZR302
ROUNDBACK
WITH BAFFLE

FEATURES

- Halo Roundback Cylinder lampholders utilize a variety of lamps
- Ideal for accent and display lighting applications
- 338° horizontal rotation and 0° to 90° vertical pivot
- Quick-lock adapter attaches anywhere along the track channel
- Finishes: White (P) and Black (MB)

Compliances may not apply to all product configurations. Please consult the product spec sheet for compliance details.

COMPLIANCES: UL Listed, CSA Listed



Max. Extension:
10" [254mm]

Lamp*	Track System	Track Information
65W BR30 75W R30 75W PAR30 100W BR25	Halo Single and 2-Circuit	L650, L651, L652, L653, L641, L642, L643, L611, L612, L613, L1631, L1632
	Halo 4-Circuit	L963 Converter required for use with Halo 4-Circuit: L621, L622, L623
	Halo "LA" Architectural	LA1L Converter required for use with Halo "LA" Linear Architectural Track: LA631, LA632, LA633
	Lazer Track	LZR102, LZR104, LZR106, LZR108

NOTES: *Lamp not included.



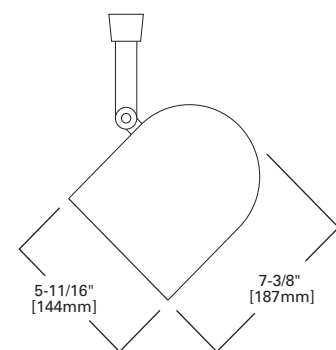
LZR303
ROUNDBACK
WITH BAFFLE

FEATURES

- Streamlined roundback fixture family
- 338° horizontal rotation and 0° to 90° vertical pivot
- Quick-lock adapter attaches anywhere along the track channel
- Matching arm allows lamp holder to rotate and adjust
- Finishes: White (P) and Matte Black (MB)

Compliances may not apply to all product configurations. Please consult the product spec sheet for compliance details.

COMPLIANCES: UL Listed, CSA Listed



Max. Extension:
11-3/16" [284mm]

Lamp*	Track System	Track Information
150W R40 150W PAR38	Halo Single and 2-Circuit	L650, L651, L652, L653, L641, L642, L643, L611, L612, L613, L1631, L1632
	Halo 4-Circuit	L963 Converter required for use with Halo 4-Circuit: L621, L622, L623
	Halo "LA" Architectural	LA1L Converter required for use with Halo "LA" Linear Architectural Track: LA631, LA632, LA633
	Lazer Track	LZR102, LZR104, LZR106, LZR108

NOTES: *Lamp not included.

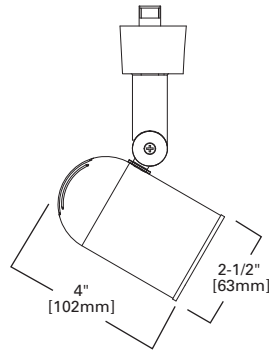
Specifications and dimensions subject to change without notice. Consult your Cooper Lighting Representative or visit www.cooperlighting.com for available options, accessories and ordering information.

FEATURES

- Streamlined roundback fixture family
- Quick-lock adapter attaches anywhere along the track channel
- 338° horizontal rotation and 0° to 90° vertical pivot
- Matching arm allows lamp holder to rotate and adjust
- Finishes: White (P) and Matte Black (MB)

Compliances may not apply to all product configurations. Please consult the product spec sheet for compliance details.

COMPLIANCES: UL Listed, CSA Listed



Max. Extension:
6-3/4" [171mm]



**LZR311
ROUNDBACK
CYLINDER**

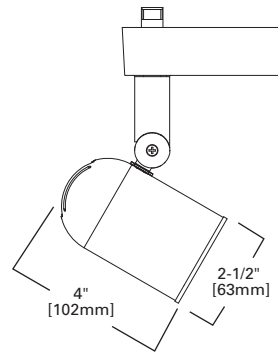
Lamp	Track System	Track Information
50W 120V MR16 (GU10 or GZ10 Base) Lamp Included	Halo Single and 2-Circuit	L650, L651, L652, L653, L641, L642, L643, L611, L612, L613, L1631, L1632
	Halo 4-Circuit	L963 Converter required for use with Halo 4-Circuit: L621, L622, L623
	Halo "LA" Architectural	LA1L Converter required for use with Halo "LA" Linear Architectural Track: LA631, LA632, LA633
	Lazer Track	LZR102, LZR104, LZR106, LZR108

FEATURES

- Streamlined roundback fixture family
- 338° horizontal rotation and 0° to 90° vertical pivot
- Quick-lock adapter attaches anywhere along the track channel
- Matching arm allows lamp holder to rotate and adjust
- Finishes: White (P) and Matte Black (MB)

Compliances may not apply to all product configurations. Please consult the product spec sheet for compliance details.

COMPLIANCES: UL Listed, CSA Listed



Max. Extension:
6-3/4" [171mm]



**LZR405 LV
ROUNDBACK
CYLINDER WITH
TRANSFORMER**

Lamp*	Accessories (Order Separately)	Track System	Track Information
50W 12V MR16	L100 Series Lenses	Halo Single and 2-Circuit	L650, L651, L652, L653, L641, L642, L643, L611, L612, L613, L1631, L1632
		Lazer Track	LZR102, LZR104, LZR106, LZR108

NOTES: *Lamp not included.



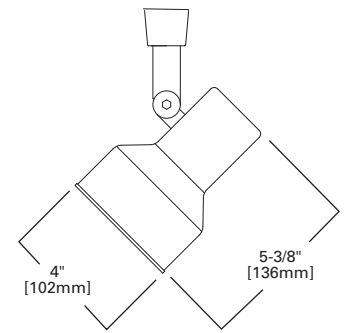
LZR304 STEP CYLINDER WITH BAFFLE

FEATURES

- Step cylinder lampholder with baffle
- Quick-lock adapter attaches anywhere along the track channel
- 338° horizontal rotation and 0° to 90° vertical pivot
- Baffle offered in black or white
- Finishes: White (P), Matte Black (MB), White with White Baffle (P/W)
- Matching finish arm allows lampholder to rotate and adjust vertically

Compliances may not apply to all product configurations. Please consult the product spec sheet for compliance details.

COMPLIANCES: UL Listed, CSA Listed



Max. Extension:
8-1/4" [210mm]

Lamp*	Track System	Track Information
50W R20 50W PAR20 60W A19	Halo Single and 2-Circuit	L650, L651, L652, L653, L641, L642, L643, L611, L612, L613, L1631, L1632
	Halo 4-Circuit	L963 Converter required for use with Halo 4-Circuit: L621, L622, L623
	Halo "LA" Architectural	LA1L Converter required for use with Halo "LA" Linear Architectural Track: LA631, LA632, LA633
	Lazer Track	LZR102, LZR104, LZR106, LZR108

NOTES: *Lamp not included.



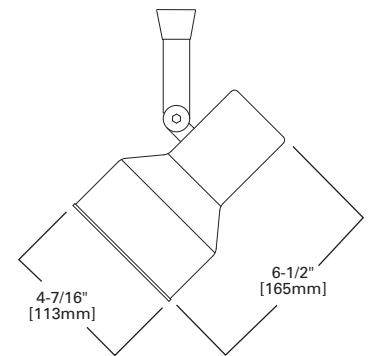
LZR305 STEP CYLINDER WITH BAFFLE

FEATURES

- Step cylinder lampholder with baffle
- Quick-lock adapter attaches anywhere along the track channel
- 338° horizontal rotation and 0° to 90° vertical pivot
- Baffle offered in white or black
- Finishes: White (P), Matte Black (MB), White with White Baffle (P/W)
- Matching finish arm allows lampholder to rotate and adjust vertically

Compliances may not apply to all product configurations. Please consult the product spec sheet for compliance details.

COMPLIANCES: UL Listed, CSA Listed



Max. Extension:
9-13/16" [249mm]

Lamp*	Track System	Track Information
65W BR30 75W R30 75W PAR30 100W BR25	Halo Single and 2-Circuit	L650, L651, L652, L653, L641, L642, L643, L611, L612, L613, L1631, L1632
	Halo 4-Circuit	L963 Converter required for use with Halo 4-Circuit: L621, L622, L623
	Halo "LA" Architectural	LA1L Converter required for use with Halo "LA" Linear Architectural Track: LA631, LA632, LA633
	Lazer Track	LZR102, LZR104, LZR106, LZR108

NOTES: *Lamp not included.



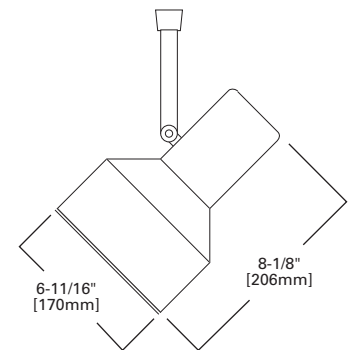
LZR306 STEP CYLINDER WITH BAFFLE

FEATURES

- Step cylinder lampholder with baffle
- 338° horizontal rotation and 0° to 90° vertical pivot
- Black baffle
- Swivel maintains tension to keep lampholder properly aimed
- Quick-lock adapter attaches anywhere along the track channel
- Finishes: White (P), Matte Black (MB), White with White Baffle (P/W)
- Matching finish arm allows lampholder to rotate and adjust vertically

Compliances may not apply to all product configurations. Please consult the product spec sheet for compliance details.

COMPLIANCES: UL Listed, CSA Listed



Max. Extension:
11-1/2" [292mm]

Lamp*	Track System	Track Information
150W R40 150W PAR38	Halo Single and 2-Circuit	L650, L651, L652, L653, L641, L642, L643, L611, L612, L613, L1631, L1632
	Halo 4-Circuit	L963 Converter required for use with Halo 4-Circuit: L621, L622, L623
	Halo "LA" Architectural	LA1L Converter required for use with Halo "LA" Linear Architectural Track: LA631, LA632, LA633
	Lazer Track	LZR102, LZR104, LZR106, LZR108

NOTES: *Lamp not included.

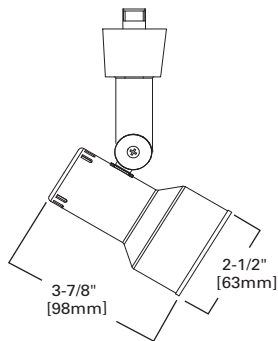
Specifications and dimensions subject to change without notice. Consult your Cooper Lighting Representative or visit www.cooperlighting.com for available options, accessories and ordering information.

FEATURES

- Quick-lock adapter attaches anywhere along the track channel
- 338° horizontal rotation and 0° to 90° vertical pivot
- Deep drawn steel lamp housing with vents
- Die-cast aluminum black baffle
- Finishes: White (P) and Matte Black (MB)
- Matching finish arm allows lampholder to rotate and adjust vertically

Compliances may not apply to all product configurations. Please consult the product spec sheet for compliance details.

COMPLIANCES: UL Listed, CSA Listed



Max. Extension:
5-13/16" [147mm]



LZR312 STEP CYLINDER

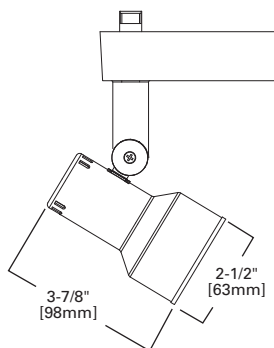
Lamp	Track System	Track Information
50W 120V MR16 (GU10 or GZ10 Base), Lamp Included	Halo Single and 2-Circuit	L650, L651, L652, L653, L641, L642, L643, L611, L612, L613, L1631, L1632
	Halo 4-Circuit	L963 Converter required for use with Halo 4-Circuit: L621, L622, L623
	Halo "LA" Architectural	LA1L Converter required for use with Halo "LA" Linear Architectural Track: LA631, LA632, LA633
	Lazer Track	LZR102, LZR104, LZR106, LZR108

FEATURES

- Low voltage step cylinder with integral 12V electronic transformer
- 338° horizontal rotation and 0° to 90° vertical pivot
- Finishes: White (P) and Matte Black (MB)
- Matching finish arm allows lampholder to rotate and adjust vertically

Compliances may not apply to all product configurations. Please consult the product spec sheet for compliance details.

COMPLIANCES: UL Listed, CSA Listed



Max. Extension:
6-3/4" [171mm]



LZR406 LV STEP CYLINDER WITH TRANSFORMER

Lamp*	Accessories (Order Separately)	Track System	Track Information
50W 12V MR16	L100 Series Lenses	Halo Single and 2-Circuit	L650, L651, L652, L653, L641, L642, L643, L611, L612, L613, L1631, L1632
		Lazer Track	LZR102, LZR104, LZR106, LZR108

NOTES: *Lamp not included.



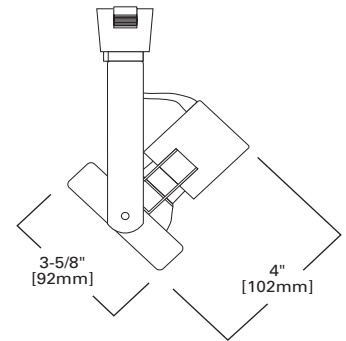
LZR1320 FRONT LOADING GIMBAL

FEATURES

- Contemporary gimbal lampholder designed for style
- Front loading of the lamp allows for intuitive relamping
- Quick-lock adapter attaches anywhere along the track channel
- 338° horizontal rotation and 0° to 90° vertical pivot
- Welded steel housing
- Finishes: White (P) and Matte Black (MB)

Compliances may not apply to all product configurations. Please consult the product spec sheet for compliance details.

COMPLIANCES: UL Listed, CSA Listed



Max. Extension:
7" [178mm]

Lamp*	Track System	Track Information
50W PAR20	Halo Single and 2-Circuit	L650, L651, L652, L653, L641, L642, L643, L611, L612, L613, L1631, L1632
	Halo 4-Circuit	L963 Converter required for use with Halo 4-Circuit: L621, L622, L623
	Halo "LA" Architectural	LA1L Converter required for use with Halo "LA" Linear Architectural Track: LA631, LA632, LA633
	Lazer Track	LZR102, LZR104, LZR106, LZR108

NOTES: *Lamp not included.



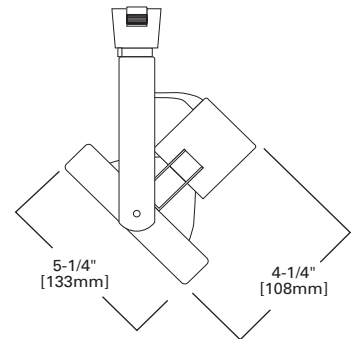
LZR1330 FRONT LOADING GIMBAL

FEATURES

- Front loading of the lamp allows for intuitive relamping
- Quick-lock adapter attaches anywhere along the track channel
- 338° horizontal rotation and 0° to 90° vertical pivot
- Matching finish single arm
- Welded steel housing provides weight and optimal heat dissipation
- Swivel maintains tension to keep lampholder properly aimed
- Finishes: White (P) and Matte Black (MB)

Compliances may not apply to all product configurations. Please consult the product spec sheet for compliance details.

COMPLIANCES: UL Listed, CSA Listed



Max. Extension:
8-1/4" [207mm]

Lamp*	Accessories (Order Separately)	Track System	Track Information
75W PAR30 (Short Neck Lamp Only)	L252MB Accessory Holder allows use of: L400 Color Filters and L274 Cube Cell Louver	Halo Single and 2-Circuit	L650, L651, L652, L653, L641, L642, L643, L611, L612, L613, L1631, L1632
		Halo 4-Circuit	L963 Converter required for use with Halo 4-Circuit: L621, L622, L623
		Halo "LA" Architectural	LA1L Converter required for use with Halo "LA" Linear Architectural Track: LA631, LA632, LA633
		Lazer Track	LZR102, LZR104, LZR106, LZR108

NOTES: *Lamp not included.



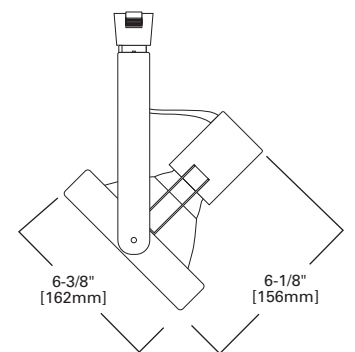
LZR1338 FRONT LOADING GIMBAL

FEATURES

- Front loading of the lamp allows for intuitive relamping
- Quick-lock adapter attaches anywhere along the track channel
- 338° horizontal rotation and 0° to 90° vertical pivot
- Matching finish single arm
- Welded steel housing provides weight and optimal heat dissipation
- Swivel maintains tension to keep lampholder properly aimed
- Finishes: White (P) and Matte Black (MB)

Compliances may not apply to all product configurations. Please consult the product spec sheet for compliance details.

COMPLIANCES: UL Listed, CSA Listed



Max. Extension:
10-7/8" [277mm]

Lamp*	Accessories (Order Separately)	Track System	Track Information
150W PAR38	L352MB Accessory Holder allows use of: L200 Color Filters and L275 Cube Cell Louver	Halo Single and 2-Circuit	L650, L651, L652, L653, L641, L642, L643, L611, L612, L613, L1631, L1632
		Halo 4-Circuit	L963 Converter required for use with Halo 4-Circuit: L621, L622, L623
		Halo "LA" Architectural	LA1L Converter required for use with Halo "LA" Linear Architectural Track: LA631, LA632, LA633
		Lazer Track	LZR102, LZR104, LZR106, LZR108

NOTES: *Lamp not included.

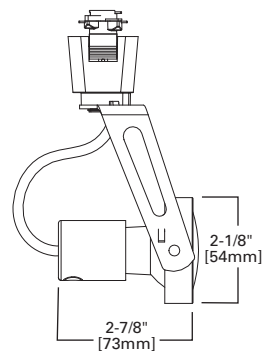
Specifications and dimensions subject to change without notice. Consult your Cooper Lighting Representative or visit www.cooperlighting.com for available options, accessories and ordering information.

FEATURES

- Contemporary gimbal lampholder designed for style
- 338° horizontal rotation and 0° to 90° vertical pivot
- Finishes: White (P) and Matte Black (MB)

Compliances may not apply to all product configurations. Please consult the product spec sheet for compliance details.

COMPLIANCES: UL Listed, CSA Listed



Max. Extension:
5-5/8" [142mm]



LZR316 GIMBAL RING

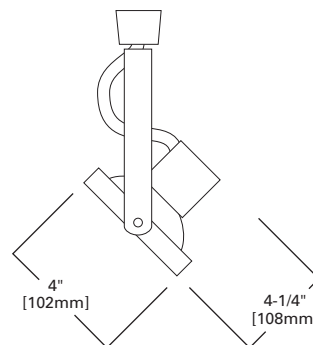
Lamp	Track System	Track Information
50W 120V MR16 (GU10 or GZ10 Base), Lamp Included	Halo Single and 2-Circuit	L650, L651, L652, L653, L641, L642, L643, L611, L612, L613, L1631, L1632
	Halo 4-Circuit	L963 Converter required for use with Halo 4-Circuit: L621, L622, L623
	Halo "LA" Architectural	LA1L Converter required for use with Halo "LA" Linear Architectural Track: LA631, LA632, LA633
	Lazer Track	LZR102, LZR104, LZR106, LZR108

FEATURES

- Contemporary gimbal lampholder
- 338° horizontal rotation and 0° to 90° vertical pivot
- Finishes: White (P) and Matte Black (MB)

Compliances may not apply to all product configurations. Please consult the product spec sheet for compliance details.

COMPLIANCES: UL Listed, CSA Listed



Max. Extension:
7-15/16" [202mm]



LZR330 LAZER GIMBAL RING

Lamp*	Accessories (Order Separately)	Track System	Track Information
75W PAR30 (Short Neck Lamp Only)	L252MB Accessory Holder allows use of: L400 Color Filters and L274 Cube Cell Louver	Halo Single and 2-Circuit	L650, L651, L652, L653, L641, L642, L643, L611, L612, L613, L1631, L1632
		Halo 4-Circuit	L963 Converter required for use with Halo 4-Circuit: L621, L622, L623
		Halo "LA" Architectural	LA1L Converter required for use with Halo "LA" Linear Architectural Track: LA631, LA632, LA633
		Lazer Track	LZR102, LZR104, LZR106, LZR108

NOTES: *Lamp not included.



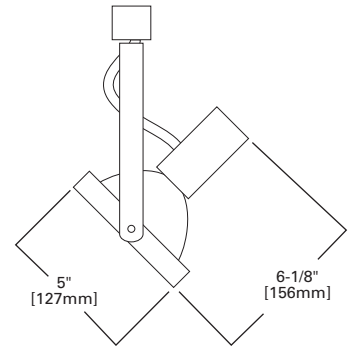
LZR338 LAZER GIMBAL RING

FEATURES

- Quick-lock adapter attaches anywhere along the track channel
- 338° horizontal rotation and 0° to 90° vertical pivot
- Matching finish yoke
- Lamp retention spring provides lamp regress for optimum lamp position
- Finishes: White (P) and Matte Black (MB)

Compliances may not apply to all product configurations. Please consult the product spec sheet for compliance details.

COMPLIANCES: UL Listed, CSA Listed



Max. Extension:
10-1/4" [260mm]

Lamp*	Accessories (Order Separately)	Track System	Track Information
150W PAR38	L1961 Barn Doors L200 Series Color Filters L200 Series Color Lenses L278 Accessory Clips	Halo Single and 2-Circuit	L650, L651, L652, L653, L641, L642, L643, L611, L612, L613, L1631, L1632
		Halo 4-Circuit	L963 Converter required for use with Halo 4-Circuit: L621, L622, L623
		Halo "LA" Architectural	LA1L Converter required for use with Halo "LA" Linear Architectural Track: LA631, LA632, LA633
		Lazer Track	LZR102, LZR104, LZR106, LZR108

NOTES: *Lamp not included.



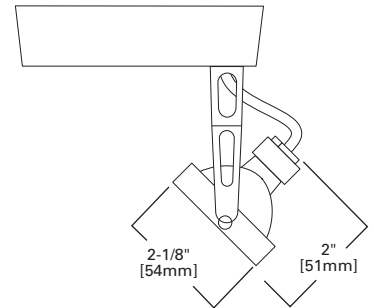
LZR401 LV GIMBAL RING WITH INTEGRAL 12V TRANSFORMER

FEATURES

- Contemporary gimbal lampholder designed for style
- 338° horizontal rotation and 0° to 90° vertical pivot
- Finishes: White (P) and Black (MB)

Compliances may not apply to all product configurations. Please consult the product spec sheet for compliance details.

COMPLIANCES: UL Listed, CSA Listed



Max. Extension:
4-7/8" [124mm]

Lamp*	Accessories (Order Separately)	Track System	Track Information
50W 12V MR16	L100 Series Lenses	Halo Single and 2-Circuit	L650, L651, L652, L653, L641, L642, L643, L611, L612, L613, L1631, L1632
		Lazer Track	LZR102, LZR104, LZR106, LZR108

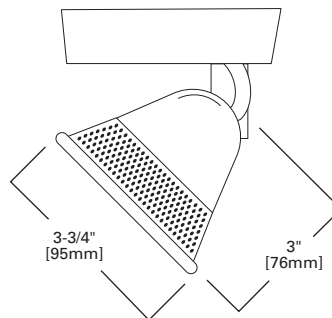
NOTES: Not for use with Four Circuit track. *Lamp not included.

FEATURES

- Decorative Low Voltage Fixtures with perforated or glass bell
- 338° horizontal rotation and 0° to 90° vertical pivot
- Equipped with integral transformer
- Finishes: White (P) and Black (MB)

Compliances may not apply to all product configurations. Please consult the product spec sheet for compliance details.

COMPLIANCES: UL Listed, CSA Listed



Max. Extension:
6" [152mm]



LZR402 LV
PERFORATED
BELL WITH
TRANSFORMER

Lamp*	Track System	Track Information
50W 12V MR16	Halo Single and 2-Circuit	L650, L651, L652, L653, L641, L642, L643, L611, L612, L613, L1631, L1632
	Lazer Track	LZR102, LZR104, LZR106, LZR108

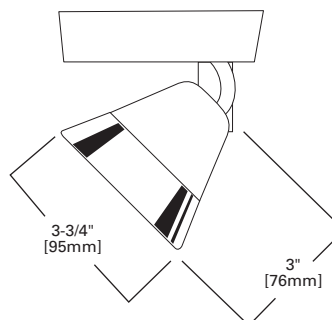
NOTES: Not for use with Four Circuit track. *Lamp not included.

FEATURES

- Decorative Low Voltage Fixtures with perforated or glass bell
- 338° horizontal rotation and 0° to 90° vertical pivot
- Equipped with integral transformer
- Finishes: White (P) and Black (MB)

Compliances may not apply to all product configurations. Please consult the product spec sheet for compliance details.

COMPLIANCES: UL Listed, CSA Listed



Max. Extension:
6" [152mm]



LZR403 LV GLASS
BELL WITH
TRANSFORMER

Lamp*	Track System	Track Information
50W 12V MR16	Halo Single and 2-Circuit	L650, L651, L652, L653, L641, L642, L643, L611, L612, L613, L1631, L1632
	Lazer Track	LZR102, LZR104, LZR106, LZR108

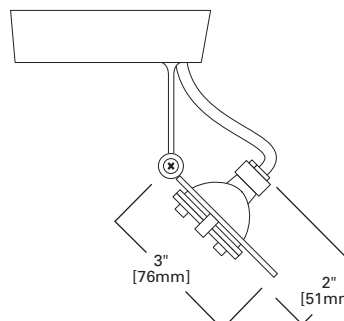
NOTES: Not for use with Four Circuit track. *Lamp not included.

FEATURES

- Lampholder provides a very white crisp light
- 338° horizontal rotation and 0° to 90° vertical pivot
- Finishes: White (P) and Black (MB)

Compliances may not apply to all product configurations. Please consult the product spec sheet for compliance details.

COMPLIANCES: UL Listed, CSA Listed



Max. Extension:
7" [178mm]



LZR404 LV
PENDANT WITH
TRANSFORMER

Lamp*	Accessories (Order Separately)	Track System	Track Information
50W 12V MR16	L100 Series Lenses	Halo Single and 2-Circuit	L650, L651, L652, L653, L641, L642, L643, L611, L612, L613, L1631, L1632
		Lazer Track	LZR102, LZR104, LZR106, LZR108

NOTES: Includes gray button for an aiming handle. Not for use with Four Circuit track. *Lamp not included.

Specifications and dimensions subject to change without notice. Consult your Cooper Lighting Representative or visit www.cooperlighting.com for available options, accessories and ordering information.



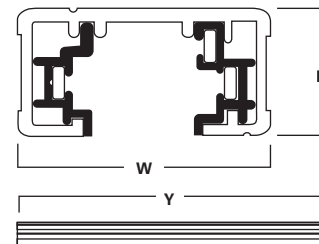
FEATURES

- Miniature track provides versatility for every lighting need
- Miniature track is only 11/16" (17.5mm) deep by 1-3/8" (35mm) wide
- Connectors simply push into the ends of the track eliminating splicing
- Entire track system is fully polarized and grounded
- Channel is extruded aluminum with .060" nominal wall thickness
- Solid copper buss bars encased in rigid extruded PVC insulators
- Polarized connectors and end caps are molded polycarbonate
- Electrical capacity is 20 Amps
- Finishes: White (P) and Black (MB)

Compliances may not apply to all product configurations. Please consult the product spec sheet for compliance details.
COMPLIANCES: UL/cUL Listed, CSA Listed



SINGLE CIRCUIT TRACK



	L	W	H
L650 2' Nominal	20-1/8" [511mm]	1-3/8" [35mm]	11/16" [18mm]
L651 4' Nominal	44-1/8" [1121mm]	1-3/8" [35mm]	11/16" [18mm]
L652 8' Nominal	92-1/8" [2340mm]	1-3/8" [35mm]	11/16" [18mm]
L653 12' Nominal	140-1/8" [3559mm]	1-3/8" [35mm]	11/16" [18mm]

ORDERING INFORMATION

SAMPLE NUMBER: L651MB

Track	Finishes	Connectors (Order Separately)	Accessories (Order Separately)	Current Limiters (Order Separately)
L650 =2' Miniature Single Circuit Track System L651 =4' Miniature Single Circuit Track System L652 =8' Miniature Single Circuit Track System L653 =12' Miniature Single Circuit Track System	MB =Black P =White	DE600 =Dead End L900 =Outlet Box Cover L901 =Live End Connector L902 =Flexible Connector L903 =Straight Connector L904 = "L" Connector L905 = "T" Connector L906 = "X" Connector L907 =Outlet Box for Use with T-Bar Ceiling L908 =Mini Joiner L909 =Floating Canopy Connector L950 =Cord and Plug Connector L979 =Conduit Continuation Kit L980 =Live End Conduit Adapter Finishes MB =Black P =White	L48 =48" Steel Stem L951 =Wire Way Cover for Pendant Assembly Kit L983 =T-Bar Attachment Clip L992 =Pendant Kit assembly L994 =Pendant Adapter Finishes MB =Black P =White	Current Limiter-Center Feed LC903CB120 =120W (1A @ 120V) LC903CB1200 =1200W (10A @ 120V) LC903CB300 =300W (2.5A @ 120V) LC903CB600 =600W (5A @ 120V) LC903CB960 =960W (8A @ 120V) Current Limiter-End Feed LC901CB120 =120W (1A @ 120V) LC901CB1200 =1200W (10A @ 120V) LC901CB300 =300W (2.5A @ 120V) LC901CB600 =600W (5A @ 120V) LC901CB960 =960W (8A @ 120V) Finishes MB =Black P =White

CONNECTORS AND ACCESSORIES



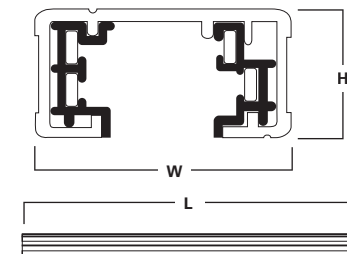
Specifications and dimensions subject to change without notice. Consult your Cooper Lighting Representative or visit www.cooperlighting.com for available options, accessories and ordering information.

FEATURES

- Designed for concise control of each circuit
- Provides two separate 20 Amp circuits
- Track comes in 4', 8' and 12' lengths
- Structural channel is extruded aluminum
- Finishes: White (P) and Black (MB)

Compliances may not apply to all product configurations. Please consult the product spec sheet for compliance details.

COMPLIANCES: UL/cUL Listed, CSA Listed



**TWO-CIRCUIT
POWER-TRAC**

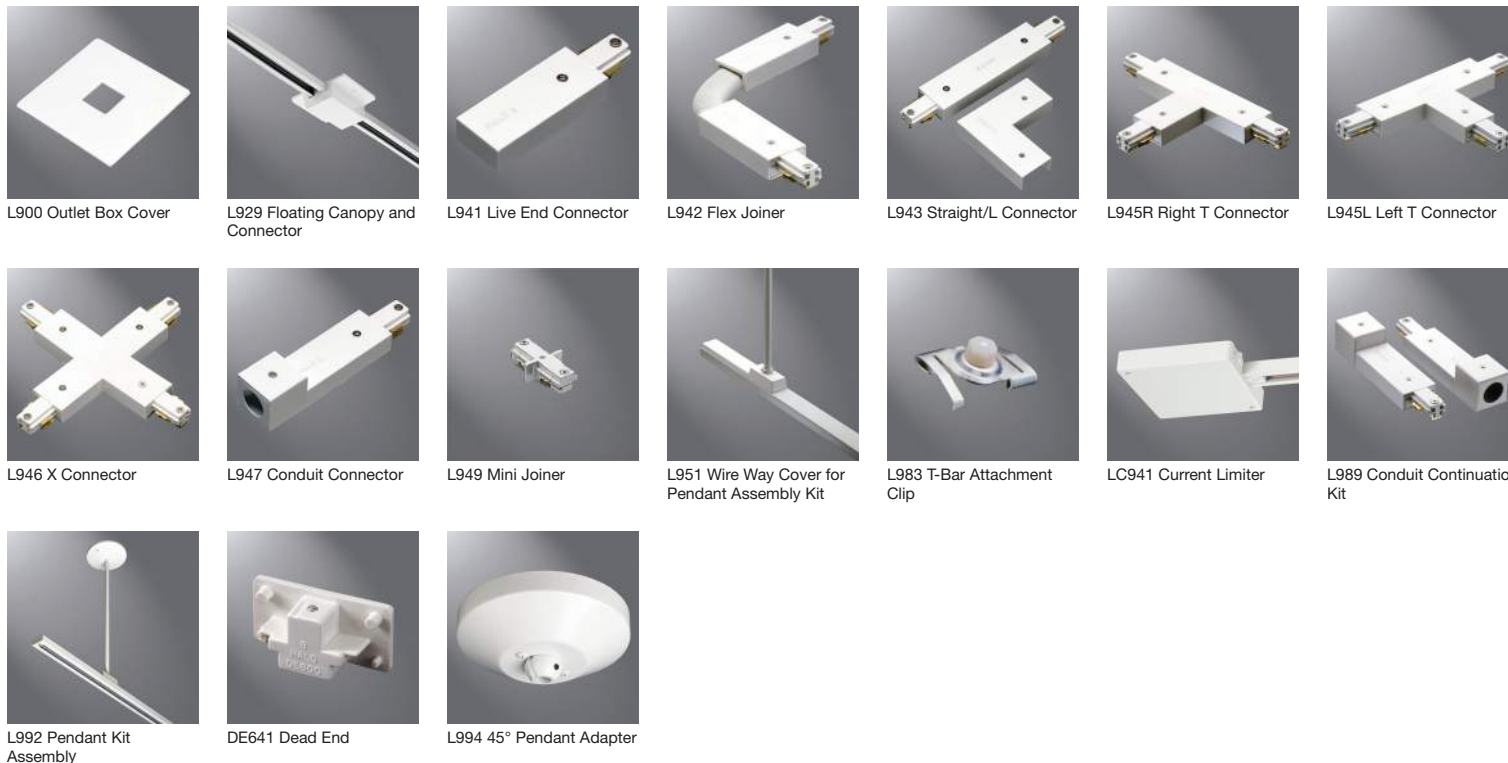
	L	W	H
L641 4' Nominal	42-5/8" [1083mm]	1-3/8" [35mm]	11/16" [18mm]
L642 8' Nominal	90-5/8" [2302mm]	1-3/8" [35mm]	11/16" [18mm]
L643 12' Nominal	138-5/8" [3521mm]	1-3/8" [35mm]	11/16" [18mm]

ORDERING INFORMATION

SAMPLE NUMBER: L641P

Track	Finishes	Connectors (Order Separately)	Accessories	Current Limiters (Order Separately)
L641 =4' Halo-2 Two Circuit Track L642 =8' Halo-2 Two Circuit Track L643 =12' Halo-2 Two Circuit Track	MB =Black P =White	L900 =Outlet Box Cover L941 =Live End Connector L942 =Flexible Connector L943 =Straight/"L" Connector L945L =Left "T" Connector L945R =Right "T" Connector L946 = "X" Connector L947 =Conduit Connector L949 =Mini Joiner L980 =Live End Conduit Adapter L989 =Conduit Continuation Kit Finishes MB =Black P =White	DE641 =Dead End L18 =18" Steel Stem L36 =36" Steel Stem L48 =48" Steel Stem L951 =Wire Way Cover for Pendant Assembly Kit L983 =T-Bar Attachment Clip L992 =Pendant Kit assembly L994 =Pendant Adapter Finishes MB =Black P =White	Current Limiter-Center Feed LC943 =LC943 Circuit 1 Breaker *CB1 =Circuit 1 Breaker LC943CB1200 =1200W (10A @ 120V) Circuit 2 Breaker *CB2 =Circuit 2 Breaker LC943CB120 =120W (1A @ 120V) LC943CB300 =300W (2.5A @ 120V) LC943CB600 =600W (5A @ 120V) LC943CB960 =960W (8A @ 120V)
				Current Limiter-End Feed Circuit 1 Breaker *CB1 =Circuit 1 Breaker LC941CB120 =120W (1A @ 120V) Circuit 2 Breaker *CB2 =Circuit 2 Breaker LC941CB1200 =1200W (10A @ 120V) LC941CB300 =300W (2.5A @ 120V) LC941CB600 =600W (5A @ 120V) LC941CB960 =960W (8A @ 120V) Finishes MB =Black P =White

CONNECTORS AND ACCESSORIES



Specifications and dimensions subject to change without notice. Consult your Cooper Lighting Representative or visit www.cooperlighting.com for available options, accessories and ordering information.



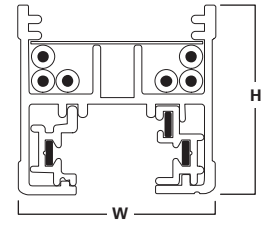
RACEWAY TRACK

FEATURES

- Fraction of the cost of conventional wiring on long linear runs
- Top portion of track is designed as a raceway for up to 6 12AWG wires
- Can be used to feed additional section of track
- Minimizes installation time and cost
- Raceway covers are included
- Accepts both Halo and Lazer-by-Halo lampholders and luminaires
- Finishes: White (P) and Black (MB)

Compliances may not apply to all product configurations. Please consult the product spec sheet for compliance details.

COMPLIANCES: UL Listed, CSA Listed



	L	W	H
L611 4' Nominal	44-1/8" [1121mm]	1-3/8" [35mm]	1-5/16" [33mm]
L612 8' Nominal	92-1/8" [2340mm]	1-3/8" [35mm]	1-5/16" [33mm]
L613 12' Nominal	140-1/8" [3559mm]	1-3/8" [35mm]	1-5/16" [33mm]

ORDERING INFORMATION

SAMPLE NUMBER: L611P

Track	Finishes	Connectors (Order Separately)	Accessories (Order Separately)
<p>L611=4' Raceway Single Circuit Surface Mounted Track System</p> <p>L612=8' Raceway Single Circuit Surface Mounted Track System</p> <p>L613=12' Raceway Single Circuit Surface Mounted Track System</p>	<p>MB=Black</p> <p>P=White</p>	<p>L900=Outbox Box Cover</p> <p>L911=Live End Connector</p> <p>L913=Straight Connector</p> <p>L914L=“L” Connector, left hand</p> <p>L914R=“L” Connector, right hand</p> <p>L915L=“T” Connector, left hand</p> <p>L915R=“T” Connector, right hand</p> <p>L916=“X” Connector</p> <p>L981=Conduit Adapter</p> <p>Finishes</p> <p>MB=Black</p> <p>P=White</p>	<p>DE611=Dead End</p> <p>L48=48" Steel Stem</p> <p>L984=T-Bar Attachment Clip</p> <p>L993=Pendant Kit assembly</p> <p>L994=Pendant Adapter</p> <p>Finishes</p> <p>MB=Black</p> <p>P=White</p>

CONNECTORS AND ACCESSORIES



L900 Outlet Box Cover



L911 Live End Connector



L913 Straight Connector



L914R L Connector



L914L L Connector



L915R L Connector



L915L L Connector



L916 X Connector



L981 Conduit Adapter



L984 T-Bar Attachment Clip



DE611 Dead End



L993 Pendant Kit Assembly



L994 45° Pendant Adapter

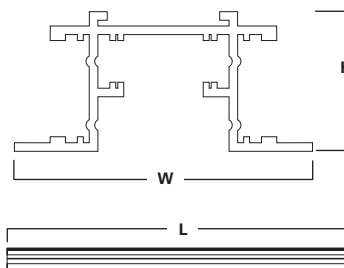
Specifications and dimensions subject to change without notice. Consult your Cooper Lighting Representative or visit www.cooperlighting.com for available options, accessories and ordering information.

FEATURES

- Accommodates Miniature or Halo-2 Power-Trac section
- 4' or 8' lengths, channel can be field cut to suit application
- Housing will accommodate straight runs, L, T or X configurations
- Installation by one person before making electrical connections
- Can also be used as raceway with L937 Raceway Cover accessory
- Finishes: White (P)

Compliances may not apply to all product configurations. Please consult the product spec sheet for compliance details.

COMPLIANCES: UL Listed, CSA Listed



RECESSED POWER-TRAC TRACK HOUSING

	L	W	H
L1651 4' Nominal	44" [1118mm]	3-3/8" [86mm]	1-9/16" [39mm]
L1652 8' Nominal	92" [2337mm]	3-3/8" [86mm]	1-9/16" [39mm]

ORDERING INFORMATION

SAMPLE NUMBER: L1651P

Track	Finish	Connectors (Order Separately)	Accessories (Order Separately)
L1651=4' Recessed Power-Trac L1652=8' Recessed Power-Trac	P=White	L1901=Live End Connector Housing L1903=Straight Connector and Housing L1904="L" Connector Housing L1905="T" Connector Housing L1906="X" Connector Housing Finishes P=White	L930=Housing End Cap L932=Cross Tee Adapter Clip L934=Cross Tee Adapter Clip L935=Recessed Housing Hanger L937=Raceway Cover L938=Cross Tee End L939=Lathing Tab L940=Mini Connector Kit Finishes P=White

CONNECTORS AND ACCESSORIES

						
L1901 Live End Connector Housing	L1903 Straight Connector and Housing	L1904 "L" Connector Housing	L1905 "T" Connector Housing	L1906 "X" Connector Housing	L930 Housing End Cap	L932 Cross Tee Adapter Clip
						
L934 Cross Tee Adapter Clip	L935 Recessed Housing Hanger	L937 Raceway Cover	L938 Cross Tee End	L939 Lathing Tab	L940 Mini Connector Kit	

Specifications and dimensions subject to change without notice. Consult your Cooper Lighting Representative or visit www.cooperlighting.com for available options, accessories and ordering information.

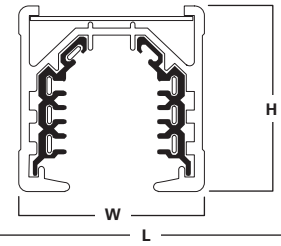


FEATURES

- Allows up to 60 Amp on 3-phase wire systems and 40 Amp on single phase
- Structural channel is extruded aluminum
- Track comes in 4', 8' and 12' lengths
- Fully polarized and grounded throughout
- Extra capacity can be used to make longer runs from a single feed
- Additional circuits can be run through the integral raceway
- L963 converter is required for Halo Power-Trac lampholders
- Lampholders with integral electronic transformers cannot be used
- Finishes: White (P) and Black (MB)

Compliances may not apply to all product configurations. Please consult the product spec sheet for compliance details.

COMPLIANCES: UL Listed, CSA Listed



FOUR-CIRCUIT TRACK



	L	W	H
L621 4' Nominal	42-7/8" [1089mm]	1-3/4" [44mm]	1-3/4" [44mm]
L622 8' Nominal	90-7/8" [2308mm]	1-3/4" [44mm]	1-3/4" [44mm]
L623 12' Nominal	138-7/8" [3527mm]	1-3/4" [44mm]	1-3/4" [44mm]

ORDERING INFORMATION

SAMPLE NUMBER: L621MB

Track	Finishes	Connectors	Accessories
L621=4' Four Circuit Track System L622=8' Four Circuit Track System L623=12' Four Circuit Track System	MB=Black P=White	L900=Outlet Box Cover L921=Live End Connector L923=Straight Connector L924="L" Connector L925="T" Connector L926="X" Connector L963=Single-Circuit to Four-Circuit Converter L982=Conduit Connector <u>Finishes</u> MB=Black P=White	DE621=Dead End L48=48" Steel Stem for Pendant Mounting L954=Pendant Kit assembly L983=T-Bar Attachment Clip <u>Finishes</u> MB=Black P=White

CONNECTORS AND ACCESSORIES



L900 Outlet Box Cover



L921 Live End Connector



L923 Straight Connector



L924 L Connector



L925 T Connector



L926 X Connector



L954 Pendant Kit



L963 Single-Circuit to Four-Circuit Converter with Switch



L982 Conduit Connector



L983 T-Bar Attachment Clip

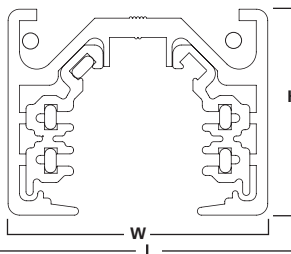


FEATURES

- Two 40 Amp circuits with dedicated neutrals
- Available in 120V and 277V
- Extruded aluminum housing with .080" nominal wall thickness
- Solid copper alloy buss bars with extruded polyvinyl insulator
- Variety of connectors are available
- Finishes: White (P), Black (MB) and Silver (SL)

Compliances may not apply to all product configurations. Please consult the product spec sheet for compliance details.

COMPLIANCES: UL/cUL Listed



**TWO-CIRCUIT
120V AND 277V
TRACK**

	L	W	H
LA631 4' Nominal	42-1/4" [1072mm]	1-3/16" [46mm]	1-7/16" [34mm]
LA632 8' Nominal	88-1/4" [2240mm]	1-3/16" [46mm]	1-7/16" [34mm]
LA633 12' Nominal	136-1/4" [3460mm]	1-3/16" [46mm]	1-7/16" [34mm]

ORDERING INFORMATION

SAMPLE NUMBER: LA631MB

Track	Finishes	Voltage	Connectors (Order Separately)	Connectors Voltage	Accessories (Order Separately)
LA631 =4' 2-Circuit, 2 Neutral Architectural Track LA632 =8' 2-Circuit, 2 Neutral Architectural Track LA633 =12' 2-Circuit, 2 Neutral Architectural Track	MB =Black P =White SL =Silver	277 =277V (LA Track Only) [Blank] =120V	LA670 =Live End Conduit Connector LA671 =Live End Connector LA672 =Flexible Connector LA673 =Straight Connector LA674 =“L” Connector LA675 =“T” Connector LA676 =“X” Connector LA678 =Mini Joiner Finishes MB =Black P =White SL =Silver	277 =277V [Blank] =120V	DE661 =Dead End L900 =Outlet Box Cover L983 =T-Bar Attachment Clip LA48 =48" Steel Stem LA959 =Wireway Cover (gray only) LA995 =18" Pendant Kit LA996 =Wireway Cover for Pendant Assembly Kit Finishes MB =Black P =White SL =Silver

CONNECTORS AND ACCESSORIES



LA1L 120V Halo Architectural Converter



L900 Outlet Box Cover



LA670 Live End Conduit Connector



LA671 Live End Connector



LA627 Flexible Connector



LA674 "L" Connector



LA675 "T" Connector



LA676 "X" Connector



LA678 Mini Joiner



LA996 Wireway Cover, for use with Pendant Assembly Kit



LA959 Wireway Cover

Specifications and dimensions subject to change without notice. Consult your Cooper Lighting Representative or visit www.cooperlighting.com for available options, accessories and ordering information.



FEATURES

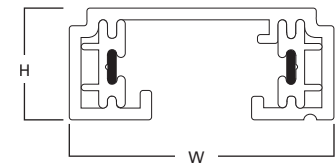
- Accepts both Lazer Track and Power-Trac luminaires
- Structural channel is extruded aluminum
- Conductors are solid copper encased in rigid extruded PVC insulators
- Visual polarity indicates proper electrical installation of fixtures
- Track comes in 2', 4', 6' and 8' lengths
- Finishes: White (P) and Black (MB)

Compliances may not apply to all product configurations. Please consult the product spec sheet for compliance details.

COMPLIANCES: UL Listed, CSA Listed



LAZER TRACK



	L	W	H
LZR102 2' Nominal	20-1/8" [511mm]	1-3/8" [35mm]	5/8" [14mm]
LZR104 4' Nominal	44-1/8" [1121mm]	1-3/8" [35mm]	5/8" [14mm]
LZR106 6' Nominal	68-1/8" [1730mm]	1-3/8" [35mm]	5/8" [14mm]
LZR108 8' Nominal	92-1/8" [2340mm]	1-3/8" [35mm]	5/8" [14mm]

ORDERING INFORMATION: ORDER HOUSING AND TRIMS SEPARATELY

SAMPLE NUMBER: LZR102P

Track	Finishes	Connectors (Order Separately)	Accessories (Order Separately)	Current Limiters (Order Separately)
LZR102 =2' Lazer Miniature Single Circuit Track System LZR104 =4' Lazer Miniature Single Circuit Track System LZR106 =6' Lazer Miniature Single Circuit Track System LZR108 =8' Lazer Miniature Single Circuit Track System	MB =Black P =White	LZR200 =Live End Feed with Junction Box Cover LZR201 =Live End Feed LZR202 =Floating Canopy and Connector LZR203 =Adjustable L and Straight Connector LZR204 =Conduit Adapter Feed LZR205 =Conduit Continuation Feed LZR206 =T-Bar Canopy LZR208 =Cord and Plug Feed LZR211 =Flexible Connector Feed LZR212 =Mini Joiner LZR213L ="T" Connector - Left LZR213R ="T" Connector - Right LZR214 ="X" Connector Finishes MB =Black P =White	LZR207 =T-Bar Mounting Clip LZR209 =Monopoint Feed LZR210 =Monopoint Feed-Low Voltage Finishes MB =Black P =White	Current Limiter-Center Feed LZRC203CB120 =120W (1A@120V) LZRC203CB1200 =1200W (10A@120V) LZRC203CB300 =300W (2.5A@120V) LZRC203CB600 =600W (5A@120V) LZRC203CB960 =960W (8A@120V) Current Limiter-End Feed LZRC201CB120 =120W (1A@120V) LZRC201CB1200 =1200W (10A@120V) LZRC201CB300 =300W (2.5A@120V) LZRC201CB600 =600W (5A@120V) LZRC201CB960 =960W (8A@120V) Finishes MB =Black P =White

CONNECTORS AND ACCESSORIES



LZR200 Live End Feed with Junction Box Cover



LZR201 Live End Feed



LZR202 Floating Canopy and Connector Feed



LZR203 Adjustable L and Straight Connector Feed



LZR204 Conduit Adapter Feed



LZR205 Conduit Continuation Feed



LZR206 T-Bar Canopy



LZR207 T-Bar Mounting Clip



LZR208 Cord and Plug Feed



LZR209 Monopoint Feed



LZR210 Monopoint Feed - Low Voltage



LZR211 Flexible Connector Feed



LZR212 Mini Connector



LZR213R Right Handed "T" Connector



LZR213L Left Handed "T" Connector



LZR214 "X" Connector



DE112 Dead End



LZRC201, LZRC203 Current Limiters

Specifications and dimensions subject to change without notice. Consult your Cooper Lighting Representative or visit www.cooperlighting.com for available options, accessories and ordering information.



LF2005

Description

50W ARCHITECTURAL FLEX TRANSFORMER
 Allows use of Linea track fixtures and low voltage pendants on 120V circuit of Architectural Flexible Track
 Finishes: White (P) and Black (MB)



L2005

Description

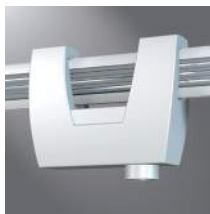
50W POWER-TRAC TRANSFORMER
 Allows use of Linea track fixtures and pendants on Halo Power-Trac or Lazer Track
 Finishes: White (P), Matte Black (MB), Aluminum Haze (AH)



LF2LV

Description

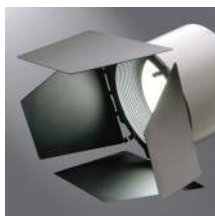
ARCHITECTURAL FLEX CONVERTER
 Allows use of Linea track fixtures and low voltage pendants on 12V circuit of Architectural Flexible Track
 Finishes: Aluminum Haze (AH)



LF2006

Description

50W ARCHITECTURAL FLEX TRANSFORMER
 Allows use of Linea track fixtures and pendants on 120V circuit of Halo Architectural Flexible Track
 Finishes: Aluminum Haze (AH)



L1982MB

Description

BARN DOOR SHUTTERS
 Barn Door Shutters for LV304 units control and shape light beam.



L100MB

Description

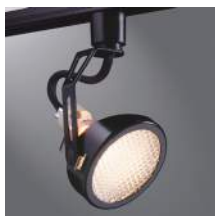
HEX CELL LOUVER
 Louvers control the light beam and prevent unwanted spill light. 2" nominal diameter. Provides for a 45° cutoff.



MR16 COLOR FILTERS

Source	Model	Source	Model
L112	Red Gel Filter	L124	Daylight Blue, Dichroic Filter
L114	Ultraviolet Filter reduces UV impact	L125	Blue, Dichroic Filter
L120	Red, Dichroic Filter	L127	Cosmetic (2700°K) Dichroic Filter
L121	Amber, Dichroic Filter	L130	Yellow Gel Filter
L122	Yellow, Dichroic Filter	L131	Amber Gel Filter
L123	Green, Dichroic Filter		

For use with MR16 lampholders. 2" nominal diameter



OPTICAL FILTERS

Source	Model	Description
L110N	Diffuse Sand Blasted Lens	Provides an even beam spread from MR16 lamps — useful in wall washing.
L111	Soft Focus Lens	Smooths irregular beam patterns without affecting illumination levels and beam angles.
L113	Prismatic Spread Lens	Broadens MR16 lamp beams. Creates a wide, uniform distribution of light.
L115	Linear Spread Lens	Fans the MR16 beam to produce a wide, rectangular pattern.

For use with MR16 lampholders. Changes and shapes light beam. 2" nominal diameter

ACCESSORIES FOR L4009



L4090

Description

PERFORATED METAL SHADE
 Lamp: 50W PAR20
 50W R20
 75W PAR16
 Finishes: White (P) and Black (MB)



L4091

Description

PERFORATED METAL SHADE
 Lamp: 75W PAR30
 100W R30
 Finishes: White (P) and Black (MB)



L4092

Description

PERFORATED METAL SHADE
 Lamp: 250W PAR38
 300W R40
 Finishes: White (P) and Black (MB)

ASSORTED LOUVERS



LOUVERS

Source	Model	Finish
LVR3240	Accessory Louver for L3240, L3250, L3255	White (P), Black (MB), Specular Clear (SC)
LVR3239	Accessory Louver for L3239	White (P), Black (MB), Specular Clear (SC)
LVR3218	Accessory Louver for L3218	White (P), Black (MB), Specular Clear (SC)
LVR3232	Accessory Louver for L3232	White (P), Black (MB), Specular Clear (SC)



RING LOUVERS

Source	Model	Diameter	Description
L272	Small Concentric Ring Louver	4 11/16" [119mm]	Minimizes glare of light beams. For use with lampholders, L201 Accessory Holder and L280 Hood.
L372	Large Concentric Ring Louver	6 3/16" [157mm]	Minimizes glare of light beams. For use with L3754.
L100MB	Hex Cell Louver	2" [50mm]	Minimizes glare of light beams. For use with MR16 lamps.



CUBE CELL LOUVERS

Source	Diameter	Finish	Lampholder	Required
L274	3 3/4" [96mm]	Black (MB)	L1830	L252MB Media Holder
			LZR1330	L252MB Media Holder
L275	4 3/4" [121mm]	Black (MB)	L201, L280	- - - -
			L230 Clips	- - - -
			L251, L1730	L230 Clips
			L1830	L1976 Barn Doors
L277	6 1/4" [159mm]	Black (MB)	LZR1338	L352MB Media Holder
			L1838	L352MB Media Holder
L279	7" [178mm]	Black (MB)	L3754	- - - -
			L1838	L1977 Barn Doors
L279	7" [178mm]	Black (MB)	L3756	- - - -
L100MB	2" [51mm]	Black (MB)	- - - -	Hex Cell Louver - For MR16
LVR-20	2" [51mm]	Black (MB)	- - - -	Hex Cell Louver - For PAR20

Specifications and dimensions subject to change without notice. Consult your Cooper Lighting Representative or visit www.cooperlighting.com for available options, accessories and ordering information.

TRACK CURRENT LIMITER

With the Halo Track Current Limiter, energy consumption can be controlled to exact requirements. Circuit breakers become an integral part of the track system and can be selected from 120 watts up to 1200 watts. Should the track section exceed its load rating, the circuit breaker trips and shuts off power to that track section ensuring compliance with load requirements.

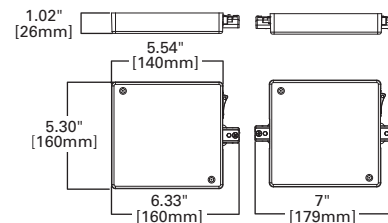


HALO POWER-TRAC SINGLE CIRCUIT CURRENT LIMITER

Feed Type	Circuit 1 Breaker	Finish
LC901 = Halo Power-Trac 1-Circuit End Feed LC903 = Halo Power-Trac 1-Circuit Center Feed	CB120 = 120W (1A @ 120V) CB300 = 300W (2.5A @ 120V) CB600 = 600W (5A @ 120V) CB960 = 960W (8A @ 120V) CB1200 = 1200W (10A @ 120V)	P = White MB = Black

Note: Consult factory for Single Circuit Center-feed requiring two circuit breakers.

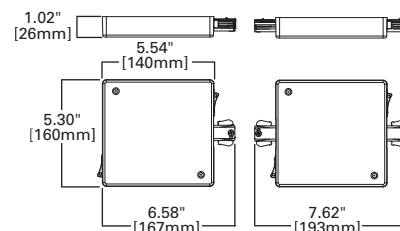
HALO POWER-TRAC SINGLE CIRCUIT CURRENT LIMITER



HALO-2 POWER-TRAC TWO CIRCUIT CURRENT LIMITER

Feed Type	Circuit 1 Breaker	Finish
LC941 = Halo Power-Trac 2-Circuit End Feed LC943 = Halo Power-Trac 2-Circuit Center Feed	CB120 = 120W (1A @ 120V) CB300 = 300W (2.5A @ 120V) CB600 = 600W (5A @ 120V) CB960 = 960W (8A @ 120V) CB1200 = 1200W (10A @ 120V)	P = White MB = Black
	Circuit 2 Breaker	
	[Blank] = No Breaker Required CB120 = 120W (1A @ 120V) CB300 = 300W (2.5A @ 120V) CB600 = 600W (5A @ 120V) CB960 = 960W (8A @ 120V) CB1200 = 1200W (10A @ 120V)	

HALO-2 POWER-TRAC TWO CIRCUIT CURRENT LIMITER

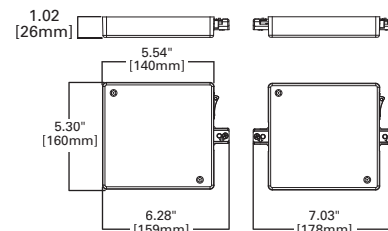


LAZER SINGLE CIRCUIT CURRENT LIMITER

Feed Type	Circuit 1 Breaker	Finish
LZRC201 = Lazer 1-Circuit End Feed LZRC203 = Lazer 1-Circuit Center Feed	CB120 = 120W (1A @ 120V) CB300 = 300W (2.5A @ 120V) CB600 = 600W (5A @ 120V) CB960 = 960W (8A @ 120V) CB1200 = 1200W (10A @ 120V)	P = White MB = Black

Note: Consult factory for Single Circuit Center-feed requiring two circuit breakers.

LAZER SINGLE CIRCUIT CURRENT LIMITER



ACCESSORIES FOR L1701 AND L1702



L281

Description

PERFORATED METAL SHADE
Finishes: White (P), Black (MB)
Lamp: 60W PAR16, 50W PAR20



L282

Description

PERFORATED METAL SHADE
Finishes: White (P), Black (MB)
Lamp: 75W PAR30



L283

Description

POLYMER LIGHT SHIELD
Finishes: White (P), Black (MB)
Lamp: 60W PAR16, 50W PAR20



L284

Description

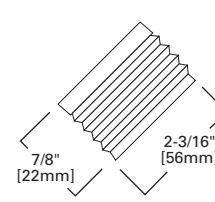
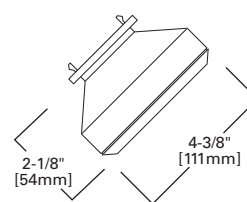
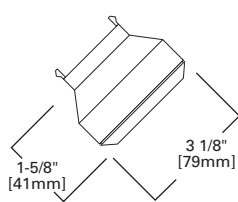
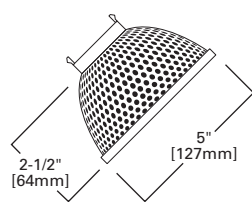
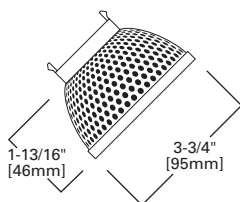
POLYMER LIGHT SHIELD
Finishes: White (P), Black (MB)
Lamp: 75W PAR30



L298

Description

BELLOWS
Finishes: White (P), Black (MB)
Lamp: 150W PAR38



Specifications and dimensions subject to change without notice. Consult your Cooper Lighting Representative or visit www.cooperlighting.com for available options, accessories and ordering information.



COLOR FILTERS

Description	2"	2 1/2"	3 3/4"	4 11/16"	6 5/16"
Red Gel	L112	F22-20			
Ultraviolet	L114		L414	L214	L314
Red Dichroic	L120	F76-20			
Amber Dichroic	L121	F72-20			
Yellow Dichroic	L122	F75-20			
Green Dichroic	L123	F73-20			
Daylight Blue Dichroic	L124				
Blue Dichroic	L125				
Peach Dichroic		F71-20			
Medium Blue Dichroic		F74-20			
Dark Blue Dichroic		F77-20			
Light Blue Dichroic		F78-20			
Neutral Density		F79-20			
Magenta		F80-20			
Cosmetic 2700° Dichroic	L127				
Yellow Gel	L130	F55-20			
Amber Gel	L131				
Medium Pink			L411	L211	
Warm Red			L412	L212	L312
Daylight Blue			L420	L220	L320
Medium Blue		F33-20	L421	L221	
Medium Amber			L431	L231	L331
Medium Green		F44-20	L441	L241	L341
Straw					L330
Mercury		F66-20			



BEAM MODIFYING LENSES

Description	2"	2 1/2"	4 11/16"
Diffuse Sand Blasted Lens	L110		
Soft Focus Lens	L111		
Prismatic Spread Lens for MR16	L113		
Linear Spread Lens for MR16	L115		
Linear Spread Lens for PAR			L250
Prismatic Spread Lens for PAR			L265
PAR20 Linear Spread Lens		LSL-20	
Overall Spread Lens		OSL-20	
Diffused Lens		DIF-20	



L252, L352 MEDIA HOLDERS

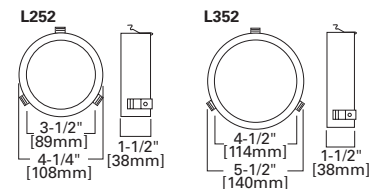
SOURCE	Finish	L252	L352	Description
Medium Pink Filter	Black [MB]	L411	L211	Allows use of L400 series color filters and Cube cell louvers with L1830 (L252) and L1838 (L352).
Warm Red Filter	Black [MB]	L412	L212	
Daylight Blue Filter	Black [MB]	L420	L220	
Medium Blue Filter	Black [MB]	L421	L221	
Medium Amber Filter	Black [MB]	L431	L231	
Medium Green Filter	Black [MB]	L441	L241	
UV Filter	Black [MB]	L414	L214	
Cube Cell	Black [MB]	L274	L275	

L252

Description
MEDIA HOLDER ACCESSORY, BLACK
 For use with LZR1330 - Allows use of L274 Cube Cell louver and L400 Series Color Filters
 Finishes: Black (MB)

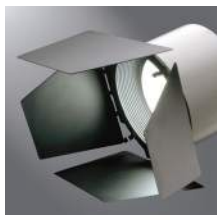
L352

Description
MEDIA HOLDER ACCESSORY, BLACK
 For use with LZR1338 - Allows use of L275 Cube Cell louver and L200 Series Color Filters.
 Finishes: Black (MB)

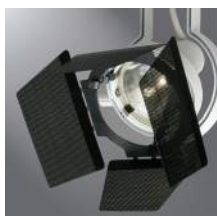


Specifications and dimensions subject to change without notice. Consult your Cooper Lighting Representative or visit www.cooperlighting.com for available options, accessories and ordering information.

BARN DOOR SHUTTERS



SOURCE	FINISH	DESCRIPTION
L1961	Black [MB]	Fits L1738 and L2738 with L278 Clips. Fits L2736 with L236 Clips.
L1962	Black [MB]	Fits L732, L762, L1540, L1763, L2740 or L2771.
L1963	Black [MB]	Fits L733, L763, L854, L1542, L1742 or L5130. Can be used with L200 Series Filters.
L1964	Black [MB]	Fits L704, L734, L764 ,L1543, L4012, L4019 or L 5138. Can be used with L300 Series Louvers.
L1965	Black [MB]	Fits L855, L1765 or L2765.
L1967	Black [MB]	For use with L3703, L3705, L4007 (Requires LCS4007) or L4008 (Requires LCS4008).
L1968	Black [MB]	For use with L3750, L3751.
L1970	Black [MB]	For use with L3754.
L1971	Black [MB]	For use with L4010.
L1972	Black [MB]	For use with L4011.
L1975	Black [MB]	For use with L3756.



L1967PF

Description

ACCESSORY CLIPS

For use with L3703, L3705, L4007 (Requires LCS4007) and L4008 (Requires LCS4008).
Finishes: Black (MB)



L200

Description

ACCESSORY BAFFLE

For use with L1760, L2716, L2717 and L3700 lampholders. Reduces spill light.
Finishes: Black (MB)



L230

Description

ACCESSORY CLIPS

For use with L1730 lampholder. Accepts one or two L200 Series Lenses, one L275 Cube Cell Louver, or one lens and one louver.



L236

Description

ACCESSORY CLIPS

For use with L2736 lampholder. Allows L200 Series color filters, L272 Louver and L275 Cube Cell Louver to be used with L2736 lampholder.



L276

Description

ACCESSORY SPRINGS

Allows L275 Cube Cell Louver to be used with L855, L1765, L1767 and L2765.



L278

Description

ACCESSORY SPRING CLIPS

For L200 Series color filters, L272 Louver and L275 Cube Cell Louver with L1738 and L2738 lampholders.



LCS4007

Description

ACCESSORY CLIPS

For use with L4007 to attach L1967 Barn Doors or L200 Series UV/color filters or L275 Louver.



LCS4008

Description

ACCESSORY CLIPS

For use with L4008 to attach L1967 Barn Doors or L200 Series UV/color filters or L275 Louver.



L1955

Description

BEAM CONCENTRATOR

Concentrates beam of MR16/FL lamp to produce a well-defined round spot of light. Comes with three auxiliary round beam templates for choice of beam angle size.
For L1760, L1763, L2716, L2717, L2771 and L2740
Finishes: Black (MB)



L201

Description

ACCESSORY HOLDER

For L704 Economy Continental. Holds up to two L200 Series color filters or one filter and one L272 Louver or L275 Cube Cell Louver.
Finishes: Black (MB)



L251

Description

ACCESSORY HOLDER

For use with L5130 to attach L1963 Barn Doors or L200 Series UV/color filters or L275 Louver.
Finishes: Black (MB)



L351

Description

ACCESSORY HOLDER

For use with L5138 to attach L1964 Barn Doors or L300 Series UV/color filters or L277 Louver.
Finishes: Black (MB)



L1973

Description

LOW VOLTAGE CANOPY ADAPTER

Allows use of L2001 and L2004 Solid State Adapter or lampholders with integral solid state transformer in canopy mount installations. Also for use with L3218, L3232, L3239, L5300, L5130 and L5138. Mounts permanently to junction box. 5 3/8" sq.
Finishes: White (P) and Black (MB)



L1974

Description

WEIGHTED BASE ADAPTER

For portable use. May also be used with L2001 and L2004 Adapter and low voltage lampholders. Padded base 5-3/8" square. Complete with 6' 3-wire cord with 3-prong grounded plug. Rotary on/off switch.
Finishes: White (P) and Black (MB)



L972

Description

C CLAMP ADAPTER

Can be mounted on pipe up to 2" diameter or any flat protruding surface. Complete with 6' 3-wire cord with 3-prong grounded plug.
Finishes: White (P) and Black (MB)



L973

Description

CANOPY ADAPTER

Mounts permanently to outlet box. 4-1/2" square Not for use with electronic low voltage lampholders, HID lampholders or Para Track lampholders except for the following: L2005, L5038, L5300, L3240E, L3250E, L3255E
Finishes: White (P) and Black (MB)



L917

Description

SLOPE ADAPTERS

Allows use of extension wands on sloped or cathedral ceilings. 0°-90°.
Max Extension: 4-3/4" (121mm)
Finishes: White (P) and Black (MB)



L918, L936, L948

Description

L918 EXTENSION WAND 18" [457mm]

L936 EXTENSION WAND 36" [914mm]

L948 EXTENSION WAND 48" [1219mm]

Note: Not For Use With Lazer Track Lampholders

For use with most lampholders (excluding those with integral electronic transformers, HID lampholders except L5300 or some Para Trac [L3218, L3232, L3239] lampholders) and track. May also be used with L2001 Solid State Adapter, L967 or L968 Switches or, with L963, in 4 Circuit Track.
Finishes: White (P) and Black (MB)

**L956****Description****SHOWROOM FIXTURE ADAPTER**

Note: Single Circuit Only

Allows canopy mounted fixture (chandelier, etc.) to be suspended from track. Will hold up to 35 lbs. Can be switched on and off via track or by pull chain on adapter.
Finishes: White (P)

**477****Description****TRACK ADAPTER TRIM**

For use with Halo H7, H7R and H44 recessed housings. Allows Track lampholders to be used with recessed installations. Not for use with any solid state/electronic low voltage, HID lampholders or fluorescent lampholders. Up to 150W maximum.
Finishes: Black Baffle with White Trim Ring (P), White Baffle with White Trim Ring (W)

**L2001****Description****LOW VOLTAGE TRANSFORMER**

Allows use of L2760, L2716, L2701, L2761 and L2736 on Halo Single Circuit, 2-Circuit, Recessed, Raceway and Lazer Track.
Finishes: White (P) and Black (MB)

**L2004****Description****LOW VOLTAGE TRANSFORMER**

Allows use of Linea lampholders (except LV301) on Halo Single Circuit, Two Circuit, Recessed, Raceway and Lazer Track.
Finishes: White (P) and Black (MB)

**L957****Description****PENDANT ADAPTER**

Allows any chain hung fixture up to 35 lbs. to be suspended from track. For use with Halo Single Circuit Power-Trac only. Not for use on sloped ceilings or walls.
Finishes: White (P) and Black (MB)

**L966****Description****OUTLET ADAPTER**

5 Amps maximum. For use with Halo Single Circuit Power-Trac only.
Finishes: White (P) and Black (MB)

**L961****Description****SIGN HANGER WITH HOOK**

Will hold up to 35 lbs. Not for use on sloped ceilings or walls.
Finishes: White (P) and Black (MB)

MEDIA HOLDERS

Source	Finish	Diameter	Description
LM10230	Blank (AH)	4-11/16" (119mm)	Span PAR30, CDMR111
LM102111	Blank (AH)	4-11/16" (119mm)	Span PAR30, CDMR111
LM20216	Blank (AH)	2" (50mm)	Span MR16
LM10520	Blank (AH), White (P), Black (MB)	2-1/2" (64mm)	Stasis PAR20
LM10530	Blank (AH), White (P), Black (MB)	3-3/4" (95mm)	Stasis PAR30
LM10538	Blank (AH), White (P), Black (MB)	4-11/16" (119mm)	Stasis PAR38



SPAN PAR30, CDMR111



SPAN MR16



STASIS PAR20



STASIS PAR30



STASIS PAR38

ACCESSORIES FOR USE WITH LZR510



LSP30

Description

SHADE FOR PAR30 LAMPS

Installs with two keyhole slots and screws. Allows use of L252 Accessory Holder. L252 allows use of 3-3/4" (95mm) L400 Series Color Filters and/or L274 Cube Cell Louver.
Finishes: White (P) and Black (MB)



LSP38

Description

SHADE FOR PAR38 LAMPS

Installs with two keyhole slots and screws. Allows use of L352 Accessory Holder. L352 allows use of 4-11/16" (119mm) L200 Series Color Filters and/or L275 Cube Cell Louver.
Finishes: White (P) and Black (MB)



BEL1MB

Description

BLACK BELLOWS

For finished appearance with PAR30 or PAR38 lamps.
Finishes: Black (MB)



24 VOLT LAMPS

Source	Model
Z81	20W T3 2-pin G4 Clear Quartz, 24V
Z82	5W T3-1/4 wedge Base Frosted, 24V
Z83	10W T3-1/4 Wedge Base Frosted, 24V
Z84	35W MR11 G4 10° Spot, 24V
Z85	35W MR11 G4 30° Flood, 24V
Z86	35W MR16 G4 12° Spot, 24V
Z87	35W MR16 G4 40° Flood, 24V
Z88	50W MR16 G4 15° Spot, 24V
Z89	50W MR16 G4 40° Flood, 24V

12 VOLT LAMPS

Source	Model
Z42CVNSP	42W MR16 Very Narrow Spot
Z50CNSP	50W MR16 Narrow Spot
Z50CNFL	50W MR16 Narrow Flood
Z50CFLL	50W MR16 Flood
Z91	20W T3 2-pin G3 Clear Quartz
Z92	5W T3-1/4 Wedge Base Frosted
Z93	10W T3-1/4 Wedge Base Frosted

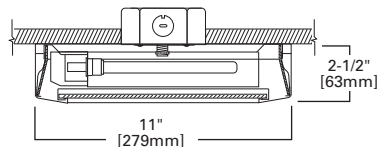
Specifications and dimensions subject to change without notice. Consult your Cooper Lighting Representative or visit www.cooperlighting.com for available options, accessories and ordering information.

FEATURES

- Ultra shallow surface mount
- Linear spread lens provides radical batwing distribution
- Finishes: White (W)
- Lamp: Two 13W TT Twin Tube compact fluorescent lamps

Compliances may not apply to all product configurations. Please consult the product spec sheet for compliance details.

COMPLIANCES: UL Listed - Damp Location



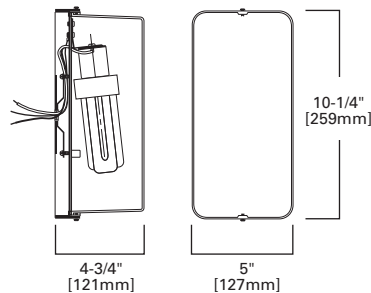
H2513 ULTRA SHALLOW SURFACE

FEATURES

- Rectangle opal lexan diffuser with black base
- Includes tamper resistant screws
- Wall or ceiling mount
- Lamp: 13W compact fluorescent lamp (120V input)

Compliances may not apply to all product configurations. Please consult the product spec sheet for compliance details.

COMPLIANCES: UL Listed - Wet Location



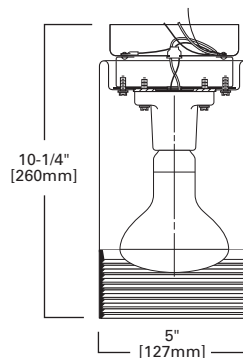
H2562 OPAL RECTANGLE DIFFUSERS

FEATURES

- Ceiling mount downlight with Coilex® baffle
- Commercial cylinder surface fixtures
- Finishes: White (P) and Bronze (BZ)
- Lamp: 75W R30

Compliances may not apply to all product configurations. Please consult the product spec sheet for compliance details.

COMPLIANCES: UL Listed - Damp Location



H1310 CEILING MOUNT



FEATURES

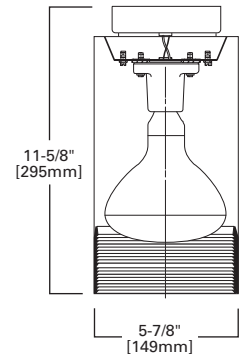
- Ceiling mounted downlight with Coilex® baffle
- Commercial cylinder surface fixtures
- Finishes: White (P) and Bronze (BZ)
- Lamp: 150W BR40

Compliances may not apply to all product configurations. Please consult the product spec sheet for compliance details.

COMPLIANCES: UL Listed - Damp Location



**H1311 R40
DOWNLIGHT WITH
BAFFLE**



FEATURES

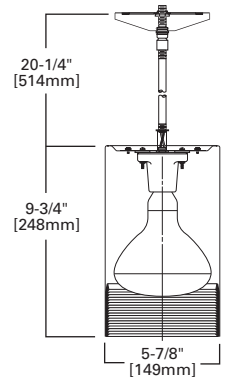
- Pendant mounted round baffle downlight
- Commercial cylinder surface fixtures
- Finishes: White (P) and Bronze (BZ)
- Lamp: 150W BR40, 150W PAR38

Compliances may not apply to all product configurations. Please consult the product spec sheet for compliance details.

COMPLIANCES: UL Listed - Damp Location



**H1312 BAFFLE
DOWNLIGHT**



FEATURES

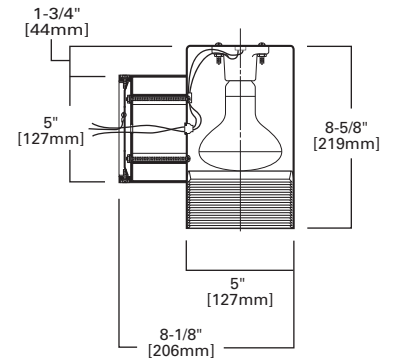
- Wall mount downlight with Coilex® baffle
- Commercial cylinder surface fixtures
- Finishes: White (P) and Bronze (BZ)
- Lamp: 65W BR30

Compliances may not apply to all product configurations. Please consult the product spec sheet for compliance details.

COMPLIANCES: UL Listed - Damp Location



**H1313 WALL
MOUNT
DOWNLIGHT WITH
COILEX BAFFLE**



FEATURES

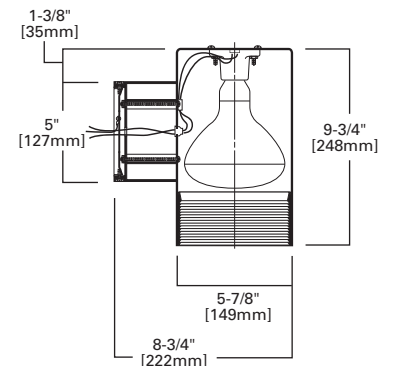
- Wall mount downlight with Coilex® baffle
- Commercial cylinder surface fixtures
- Finishes: White (P) and Bronze (BZ)
- Lamp: 150W BR40

Compliances may not apply to all product configurations. Please consult the product spec sheet for compliance details.

COMPLIANCES: UL Listed - Damp Location



**H1314 WALL
MOUNT
DOWNLIGHT WITH
BAFFLE**

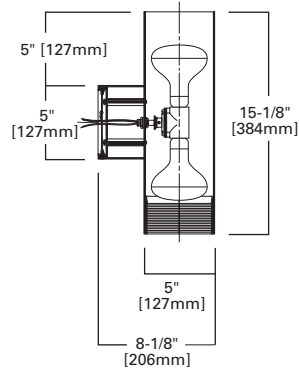


FEATURES

- Soft round wall mount uplight/downlight with Coilex® baffle
- Commercial cylinder surface fixtures
- Finishes: White (P) and Bronze (BZ)
- Lamp: Two 65W BR30 lamps

Compliances may not apply to all product configurations. Please consult the product spec sheet for compliance details.

COMPLIANCES: UL Listed - Damp Location



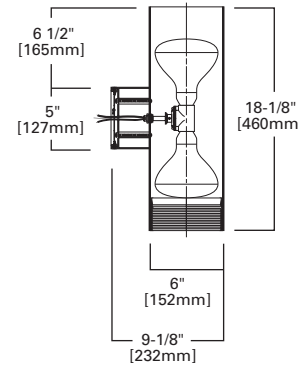
H1315 WALL MOUNT UPLIGHT/DOWNLIGHT

FEATURES

- Surface rounds uplight/downlight with Coilex® baffle
- Wall mounted uplight/downlight fixture
- Finishes: White (P) and Bronze (BZ)
- Lamp: Two 150W BR40/PAR38 lamps

Compliances may not apply to all product configurations. Please consult the product spec sheet for compliance details.

COMPLIANCES: UL Listed - Damp Location



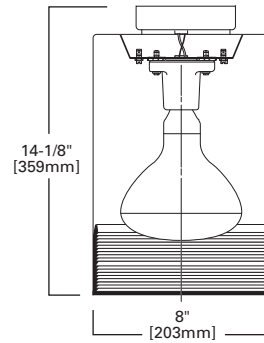
H1316 SURFACE ROUNDS UPLIGHT/DOWNLIGHT

FEATURES

- Ceiling mounted downlight with Coilex® baffle
- Commercial cylinder surface fixtures
- Finishes: White (P) and Bronze (BZ)
- Lamp: 300W BR40

Compliances may not apply to all product configurations. Please consult the product spec sheet for compliance details.

COMPLIANCES: UL Listed - Damp Location



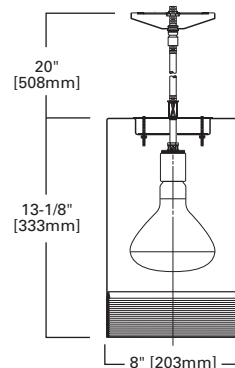
H1318 CEILING MOUNT R40 OPEN DOWNLIGHT

FEATURES

- Pendant mount downlight with Coilex® baffle
- Finishes: White (P) and Bronze (BZ)
- Lamp: 300W R40

Compliances may not apply to all product configurations. Please consult the product spec sheet for compliance details.

COMPLIANCES: UL Listed - Damp Location



H1319 PENDANT MOUNT DOWNLIGHT

**FEATURES**

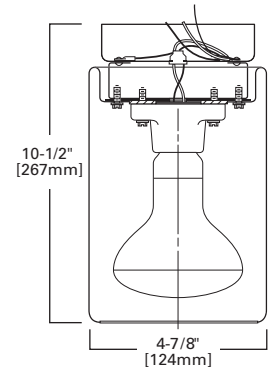
- Ceiling mounted with Coilex® baffle
- Commercial cylinder surface fixtures
- Finishes: White (P) and Bronze (BZ)
- Lamp: 75W R30

Compliances may not apply to all product configurations. Please consult the product spec sheet for compliance details.

COMPLIANCES: UL Listed - Damp Location



H2300 INCANDESCENT CEILING MOUNT OPEN/BAFFLE

**FEATURES**

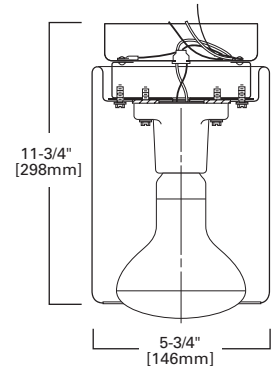
- Ceiling mounted downlight with Coilex® baffle
- Commercial cylinder surface fixtures
- Finishes: White (P) and Bronze (BZ)
- Lamp: 150W BR40

Compliances may not apply to all product configurations. Please consult the product spec sheet for compliance details.

COMPLIANCES: UL Listed - Damp Location



H2310 INCANDESCENT CEILING MOUNT OPEN/BAFFLE

**FEATURES**

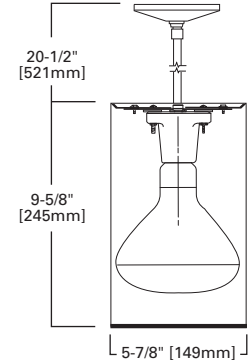
- Round pendant mounted open downlight
- Commercial cylinder surface fixtures
- Finishes: White (P) and Bronze (BZ)
- Lamp: 150W BR40, 150W PAR38

Compliances may not apply to all product configurations. Please consult the product spec sheet for compliance details.

COMPLIANCES: UL Listed - Damp Location



H2320 INCANDESCENT PENDANT MOUNT DOWNLIGHT

**FEATURES**

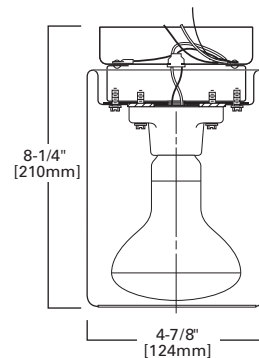
- Round ceiling mounted open downlight
- Commercial cylinder surface fixtures
- Finishes: White (P) and Bronze (BZ)
- Lamp: 75W R30

Compliances may not apply to all product configurations. Please consult the product spec sheet for compliance details.

COMPLIANCES: UL Listed - Damp Location



H2332 INCANDESCENT CEILING MOUNT OPEN

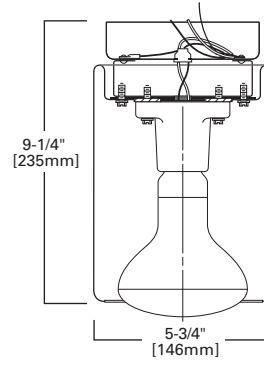


FEATURES

- Ceiling mounted open downlight
- Commercial cylinder surface fixtures
- Finishes: White (P) and Bronze (BZ)
- Lamp: 150W BR40

Compliances may not apply to all product configurations. Please consult the product spec sheet for compliance details.

COMPLIANCES: UL Listed - Damp Location



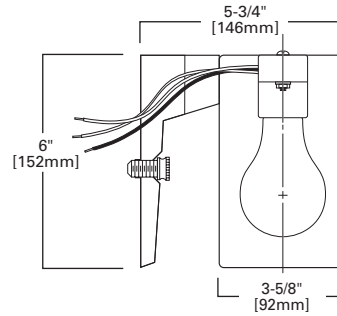
H2335 R40 OPEN DOWNLIGHT

FEATURES

- Wall mount round downlight
- Commercial cylinder surface fixtures
- Finishes: White (P) and Bronze (BZ)
- Lamp: 100W A19

Compliances may not apply to all product configurations. Please consult the product spec sheet for compliance details.

COMPLIANCES: UL Listed - Damp Location



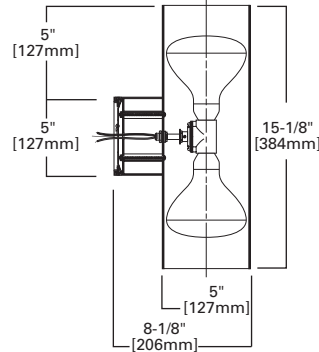
H2351 WALL MOUNT DOWNLIGHT

FEATURES

- Wall mount round open uplight/downlight
- Commercial cylinder surface fixtures
- Finishes: White (P) and Bronze (BZ)
- Lamp: Two 65W BR30 lamps

Compliances may not apply to all product configurations. Please consult the product spec sheet for compliance details.

COMPLIANCES: UL Listed - Damp Location



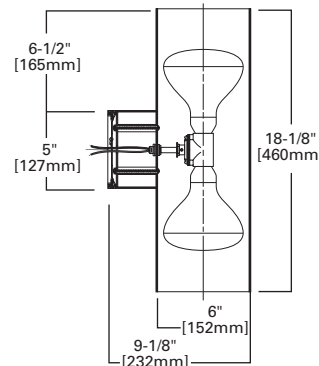
H2353 WALL MOUNT UPLIGHT/ DOWNLIGHT

FEATURES

- Wall mount round open uplight/downlight
- Commercial cylinder surface fixtures
- Finishes: White (P) and Bronze (BZ)
- Lamp: Two 150W BR40/PAR38 lamps

Compliances may not apply to all product configurations. Please consult the product spec sheet for compliance details.

COMPLIANCES: UL Listed - Damp Location



H2355 WALL MOUNT UPLIGHT/ DOWNLIGHT OPEN

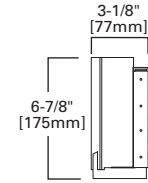
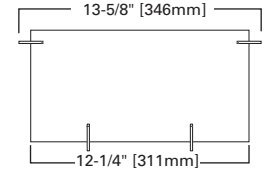


**H2520 ETCHING
LANDSCAPE
RECTANGLE
SCONCE**

FEATURES

- Designed for elevator pads, hallways and corridors
- Etched rectangular grid glass light diffuser in a variety of shapes
- Heavy-gauge die-formed steel matte chrome finished brackets
- Solid steel mounting plate
- Lamp: 100W T-4 E-11 Mini candelabra screw base lamp

Compliances may not apply to all product configurations. Please consult the product spec sheet for compliance details.
COMPLIANCES: UL Listed, CSA Listed, ADA Compliant

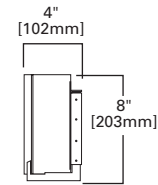
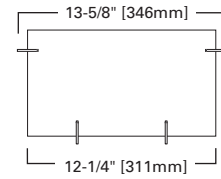


**H2521, H2525
ETCHING
PORTRAIT
RECTANGLE
SCONCE**

FEATURES

- Etched rectangle grid glass
- Solid steel mounting plate with chrome finish
- Heavy-gauge die-formed steel matte chrome finished brackets
- H2521 lamp: 100W A19 incandescent med. base, 100W BT15 halogen
- H2525 lamp: Two 13W 4-pin DTT G24q-1 compact fluorescent lamps

Compliances may not apply to all product configurations. Please consult the product spec sheet for compliance details.
COMPLIANCES: UL Listed, CSA Listed, ADA Compliant

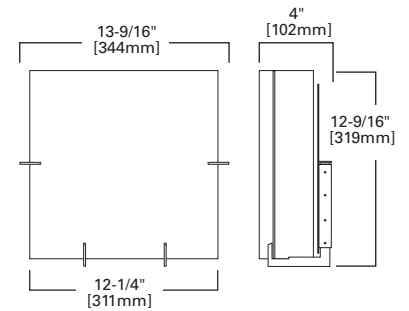


**H2522, H2523
ETCHINGS
SQUARE WALL
SCNCES**

FEATURES

- For use with incandescent, compact fluorescent or halogen lamps
- Etched square grid glass
- Solid steel mounting plate with chrome finish
- Heavy-gauge die-formed steel matte chrome finished brackets
- H2522 lamp: 100W A19 incandescent, 100W BT15 halogen
- H2523 lamp: Two 18W DTT G24q-2- 4-pin compact fluorescent lamps

Compliances may not apply to all product configurations. Please consult the product spec sheet for compliance details.
COMPLIANCES: UL Listed, CSA Listed, ADA Compliant

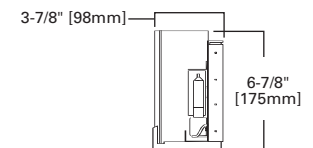
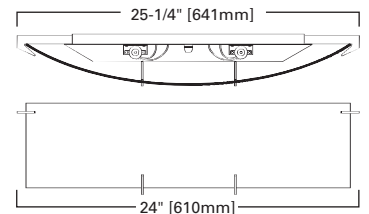


**H2524 ETCHINGS
ULTRA
LANDSCAPE WALL
SCONCE**

FEATURES

- Ultra landscape rectangle sconce
- Solid steel mounting plate with matte chrome finish
- Glass shield supplied for use with T4 quartz lamps
- Lamp: Two 100W T-4 (E11) mini-candelabra base

Compliances may not apply to all product configurations. Please consult the product spec sheet for compliance details.
COMPLIANCES: UL Listed, CSA Listed, ADA Compliant

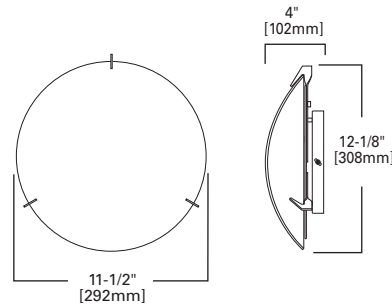


Specifications and dimensions subject to change without notice. Consult your Cooper Lighting Representative or visit www.cooperlighting.com for available options, accessories and ordering information.

FEATURES

- Etched small round glass sconce
- Solid steel mounting plate with white painted finish
- Heavy-gauge die-formed steel matte chrome finished brackets
- Top bracket is spring loaded to allow easy relamping
- Suitable for wall and ceiling mount
- Lamp: 100W T-4 (E11) mini-candelabra base

Compliances may not apply to all product configurations. Please consult the product spec sheet for compliance details.
COMPLIANCES: UL Listed

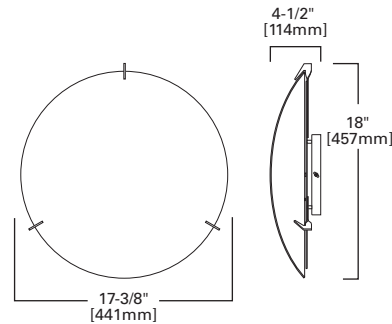


**H2526 ETCHINGS
SMALL CIRCLE
WALL SCONCE**

FEATURES

- Etched large round glass sconce
- Matte chrome finish
- Heavy-gauge die-formed steel matte chrome finished brackets
- Top bracket is spring loaded to allow easy relamping
- Solid steel mounting plate, with white painted finish
- Suitable for wall or ceiling mount
- H2528 lamp: 100W T-4 (E11) mini-candelabra base
- H2529 lamp: Two 18W DTT compact fluorescent lamps

Compliances may not apply to all product configurations. Please consult the product spec sheet for compliance details.
COMPLIANCES: UL Listed

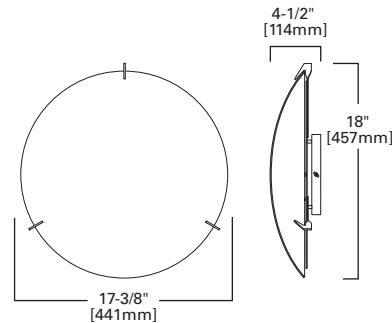


**H2528 ETCHINGS
LARGE CIRCLE**

FEATURES

- Etched large round glass sconce
- Solid steel mounting plate, with white painted finish
- Heavy-gauge die-formed steel matte chrome finished brackets
- Top bracket is spring loaded to allow easy relamping
- Solid steel mounting plate, with white painted finish
- Suitable for wall or ceiling mount
- Lamp: Two 18W DTT compact fluorescent lamps

Compliances may not apply to all product configurations. Please consult the product spec sheet for compliance details.
COMPLIANCES: UL Listed

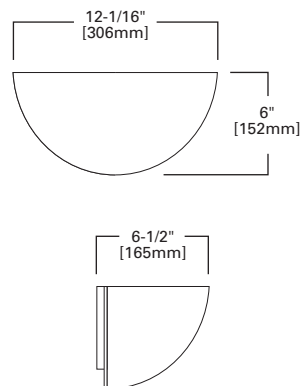


**H2529 ETCHINGS
LARGE CIRCLE
WITH ELECTRONIC
BALLAST**

FEATURES

- Wall mount sconce
- Translucent Pearl Onyx (TPO), translucent polycarbonate
- Diffuser can be mounted to direct light either up or down
- H2594 lamp: 60W, 75W, 100W A19, 150W A21
- H2595 lamp: 13W DTT compact fluorescent lamp

Compliances may not apply to all product configurations. Please consult the product spec sheet for compliance details.
COMPLIANCES: UL Listed - Damp Location



**H2594, H2595
TRANSLUCENT
QUARTER SPHERE**



FEATURES

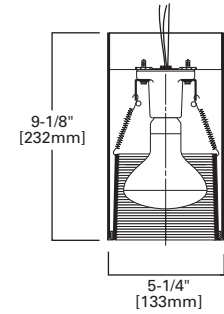
- Ceiling mounted downlight with Coilex® baffle
- Finishes: White (P) and Bronze (BZ)
- Lamp: 65W BR30

Compliances may not apply to all product configurations. Please consult the product spec sheet for compliance details.

COMPLIANCES: UL Listed - Damp Location



H1300 SOFT SQUARE CEILING MOUNT DOWNLIGHT



FEATURES

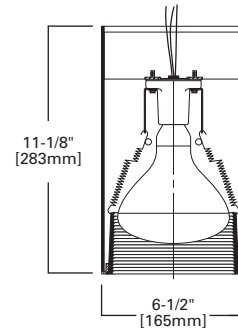
- Ceiling mounted downlight with Coilex® baffle
- Finishes: White (P) and Bronze (BZ)
- Lamp: 150W BR40

Compliances may not apply to all product configurations. Please consult the product spec sheet for compliance details.

COMPLIANCES: UL Listed - Damp Location



H1301 SOFT SQUARE CEILING MOUNT DOWNLIGHT



FEATURES

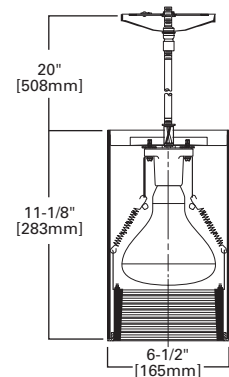
- Ceiling pendant mount with swivel and Coilex® baffle
- Commercial soft square surface fixtures
- Finishes: White (P) and Bronze (BZ)
- Lamp: 150W BR40, 150W PAR38

Compliances may not apply to all product configurations. Please consult the product spec sheet for compliance details.

COMPLIANCES: UL Listed - Damp Location



H1302 DOWNLIGHT WITH COILEX BAFFLE - 15° SWIVEL



FEATURES

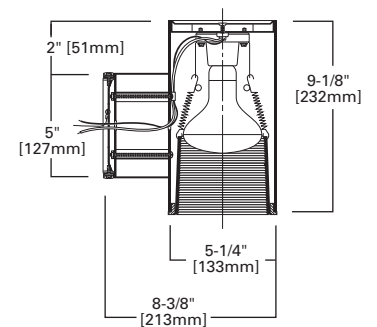
- Wall mounted downlight with Coilex® baffle
- Commercial soft square surface fixtures
- Finishes: White (P) and Bronze (BZ)
- Lamp: 65W BR30

Compliances may not apply to all product configurations. Please consult the product spec sheet for compliance details.

COMPLIANCES: UL Listed - Damp Location



H1303 WALL MOUNT DOWNLIGHT

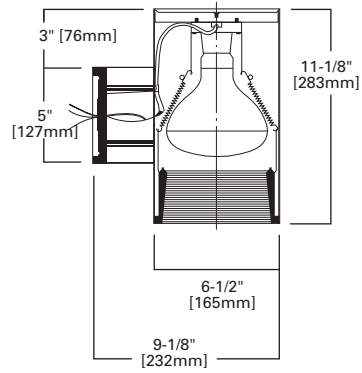


FEATURES

- Wall mount downlight with Coilex® baffle
- Commercial soft square surface fixtures
- Finishes: White (P) and Bronze (BZ)
- Lamp: 150W BR40, 150W PAR38

Compliances may not apply to all product configurations. Please consult the product spec sheet for compliance details.

COMPLIANCES: UL Listed - Damp Location



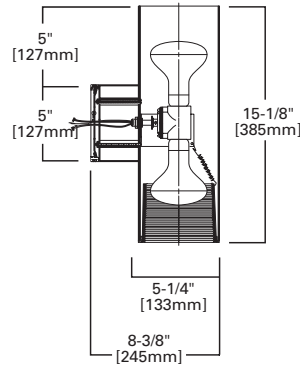
**H1304
DOWNLIGHT WITH
COILEX BAFFLE**

FEATURES

- Soft square wall mount uplight/downlight with Coilex® baffle
- Commercial soft square surface fixtures
- Finishes: White (P) and Bronze (BZ)
- Lamp: Two 65W BR30 lamps

Compliances may not apply to all product configurations. Please consult the product spec sheet for compliance details.

COMPLIANCES: UL Listed - Damp Location



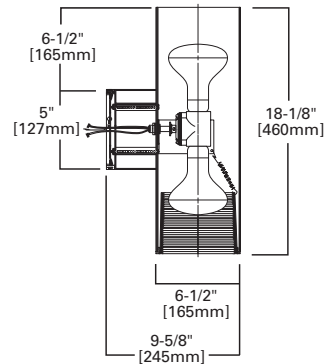
**H1305 UPLIGHT/
DOWNLIGHT WITH
COILEX BAFFLE**

FEATURES

- Soft square wall mounted uplight/downlight with Coilex® baffle
- Commercial soft square surface fixtures
- Finishes: White (P) and Bronze (BZ)
- Lamp: Two 150W BR40, 150W PAR38 lamps

Compliances may not apply to all product configurations. Please consult the product spec sheet for compliance details.

COMPLIANCES: UL Listed - Damp Location



**H1306 UPLIGHT/
DOWNLIGHT WITH
COILEX BAFFLE**



FEATURES

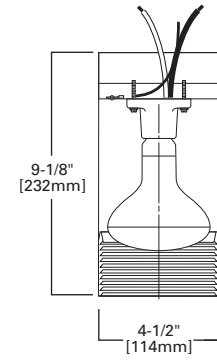
- Ceiling mount downlight with Coilex® baffle
- Commercial square surface fixtures
- Finishes: White (P) and Bronze (BZ)
- Lamp: 65W BR30

Compliances may not apply to all product configurations. Please consult the product spec sheet for compliance details.

COMPLIANCES: UL Listed - Damp Location



H1320 CEILING MOUNT



FEATURES

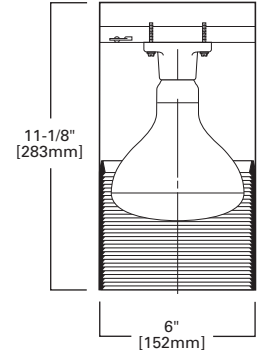
- Square ceiling mount downlight with Coilex® baffle
- Commercial square surface fixtures
- Finishes: White (P) and Bronze (BZ)
- Lamp: 150W BR40

Compliances may not apply to all product configurations. Please consult the product spec sheet for compliance details.

COMPLIANCES: UL Listed - Damp Location



H1321 SQUARE CEILING MOUNT DOWNLIGHT COILEX BAFFLE



FEATURES

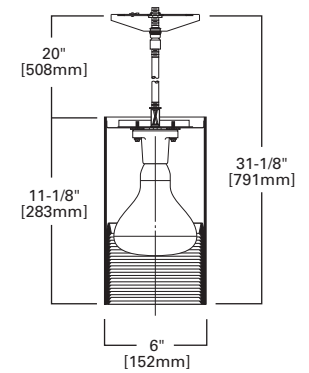
- Square pendant mount downlight with Coilex® baffle
- Commercial square surface fixtures
- Finishes: White (P) and Bronze (BZ)
- Lamp: 150W BR40

Compliances may not apply to all product configurations. Please consult the product spec sheet for compliance details.

COMPLIANCES: UL Listed - Damp Location



H1322 PENDANT MOUNT SQUARE DOWNLIGHT



FEATURES

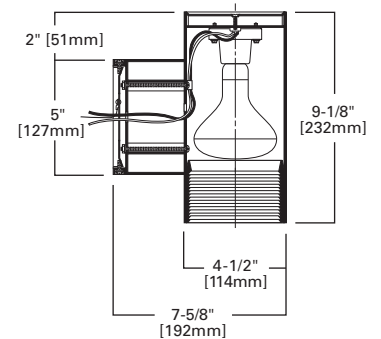
- Square wall mount downlight with Coilex® baffle
- Commercial square surface fixtures
- Finishes: White (P) and Bronze (BZ)
- Lamp: 65W BR30

Compliances may not apply to all product configurations. Please consult the product spec sheet for compliance details.

COMPLIANCES: UL Listed - Damp Location



H1323 SQUARE WALL MOUNT DOWNLIGHT



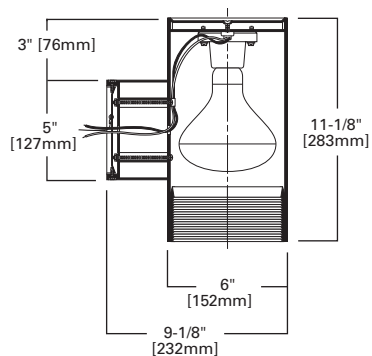
Specifications and dimensions subject to change without notice. Consult your Cooper Lighting Representative or visit www.cooperlighting.com for available options, accessories and ordering information.

FEATURES

- Square wall mount downlight with Coilex® baffle
- Commercial square surface fixtures
- Finishes: White (P) and Bronze (BZ)
- Lamp: 150W BR40, 150W PAR38

Compliances may not apply to all product configurations. Please consult the product spec sheet for compliance details.

COMPLIANCES: UL Listed - Damp Location



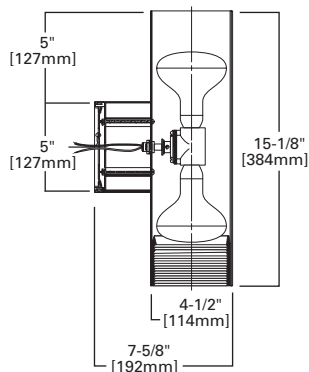
H1324 WALL MOUNT SQUARE DOWNLIGHT

FEATURES

- Square wall mount uplight/downlight with Coilex® baffle
- Commercial square surface fixtures
- Finishes: White (P) and Bronze (BZ)
- Lamp: Two 65W BR30 lamps

Compliances may not apply to all product configurations. Please consult the product spec sheet for compliance details.

COMPLIANCES: UL Listed - Damp Location



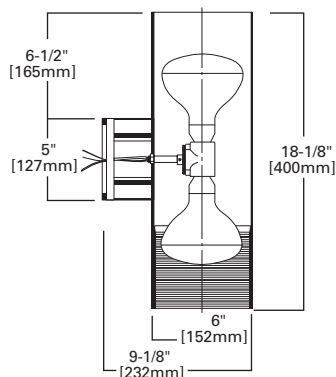
H1325 SQUARE WALL MOUNT UPLIGHT/ DOWNLIGHT

FEATURES

- Surface squares wall mounted with Coilex® baffle
- Commercial square surface fixtures
- Finishes: White (P) and Bronze (BZ)
- Lamp: Two 150W BR40, 150W PAR38 lamps

Compliances may not apply to all product configurations. Please consult the product spec sheet for compliance details.

COMPLIANCES: UL Listed - Damp Location



H1326 SQUARE WALL MOUNT UPLIGHT/ DOWNLIGHT



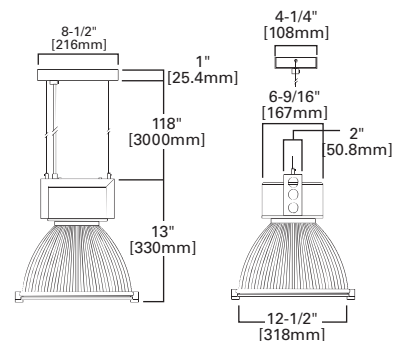
H2600 CHORUS PENDANT DOWNLIGHT

FEATURES

- Suitable for general ambient and task lighting
- Spun aluminum housing supported by die-formed steel frame
- Incandescent, compact fluorescent and metal halide varieties
- Optional glass diffuser shields fixture interior from insects and dirt
- Three conductor cable is terminated to a quick disconnect connector
- Fixture is suspended by two aircraft type cables
- Lamps: 100W A19, 26/32/42W CFL GX24q base, 70W CMH

Compliances may not apply to all product configurations. Please consult the product spec sheet for compliance details.

COMPLIANCES: UL/cUL Listed 1598 Luminaire



ORDERING INFORMATION

SAMPLE NUMBER: H2600SL

Catalog Number	Lamp* Type	Finish	Accessories (Order Separately)
H2600=12" Diameter Prismatic Refractor Pendant	[Blank]=100W A19 Incandescent E42=26/32/42W Compact Fluorescent E70=70W Ceramic Metal Halide	SL=Silver	GDK12=12" Glass Diffuser Kit

NOTES: *Lamp not included.



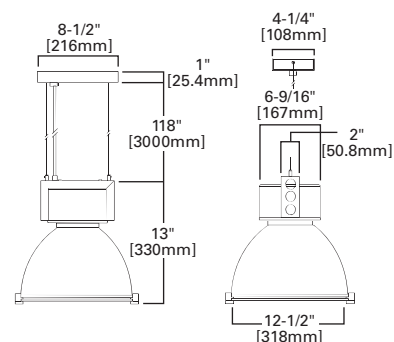
H2601 CHORUS PENDANT ALUMINUM REFLECTOR

FEATURES

- Suitable for general ambient and task lighting
- Spun aluminum housing supported by die-formed steel frame
- Incandescent, compact fluorescent and metal halide varieties
- Optional glass diffuser shields fixture interior from insects and dirt
- Three conductor cable is terminated to a quick disconnect connector
- Fixture is suspended by two aircraft type cables
- Lamps: 100W A19, 26/32/42W CFL GX24q base, 70W CMH

Compliances may not apply to all product configurations. Please consult the product spec sheet for compliance details.

COMPLIANCES: UL/cUL Listed 1598 Luminaire



ORDERING INFORMATION

SAMPLE NUMBER: H2601SL

Catalog Number	Lamp* Type	Finish	Accessories (Order Separately)
H2601=12" Diameter Aluminum Reflector Pendant	[Blank]=100W A19 Incandescent E42=26/32/42W Compact Fluorescent E70=70W Ceramic Metal Halide	SL=Silver	GDK12=12" Glass Diffuser Kit

NOTES: *Lamp not included.



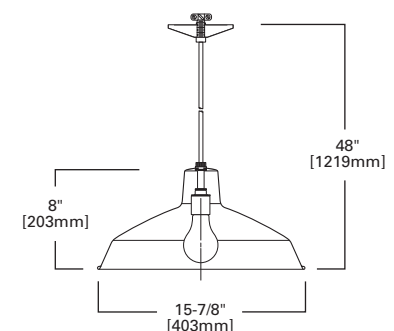
H2220 RLM SHADE


FEATURES

- Designed for counters, stairways and corridors
- 16" diameter shade, white enamel with 48" cord and white ceiling canopy
- Finishes: White (P)
- Lamps: 60W A19, 75W A19, 100W A19, 150W A21

Compliances may not apply to all product configurations. Please consult the product spec sheet for compliance details.

COMPLIANCES: UL Listed





Mother Lode Residence, Aspen, CO

Lighting Design: 186 Lighting Design Group, Inc.,
Denver, CO

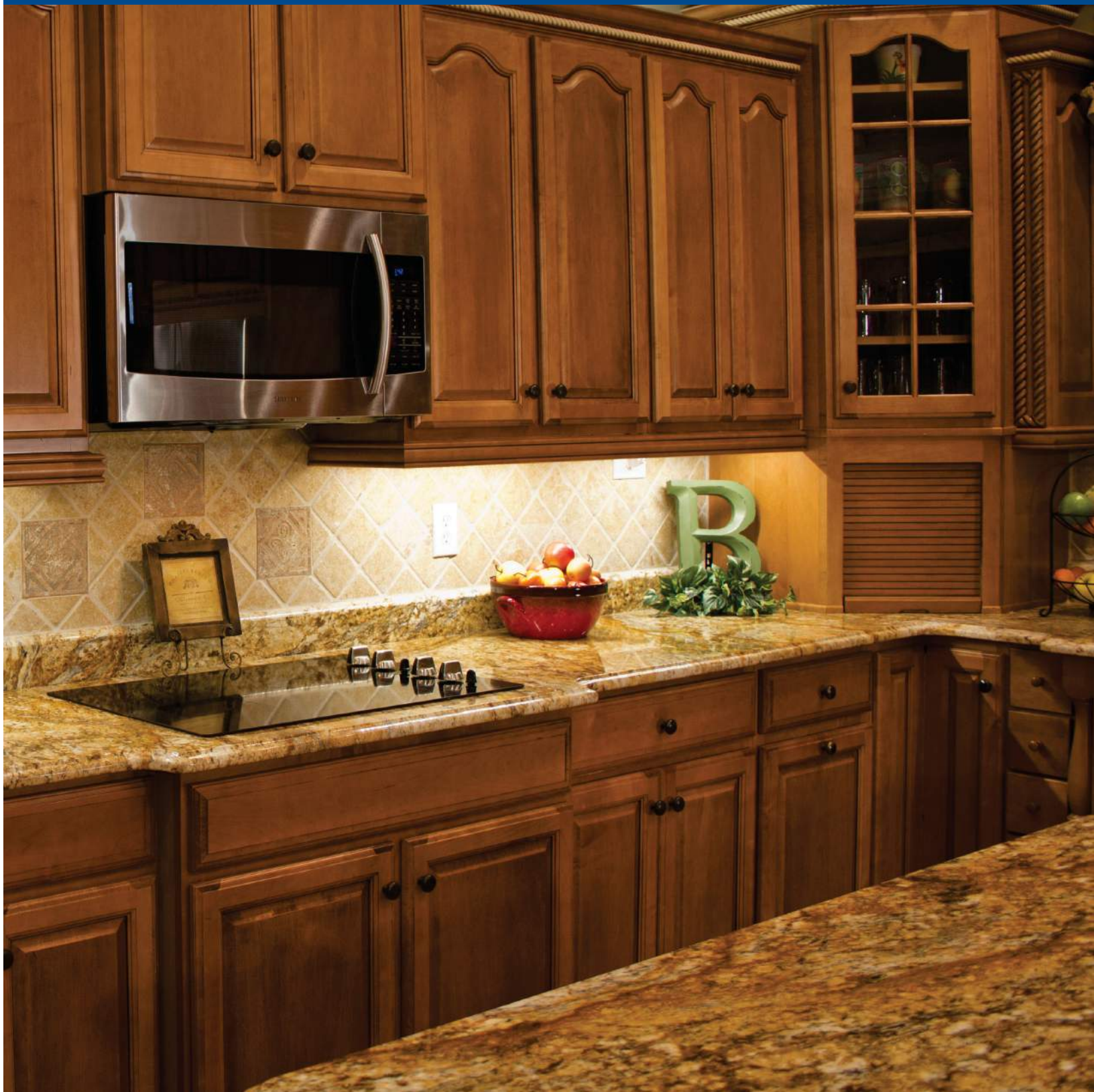
Photography: Brent Moss

Cooper Lighting SOURCE Awards Winner

Innovation you can rely on

New Products Section

Featuring the newest Halo Track and Surface products launched since April 2012.



TRACK



HU10 LED
Page 2-111



HU20 LED
Page 2-112



L806 LED
Page 2-113



L807 LED
Page 2-113



L806HO LED
Page 2-114



L807HO LED
Page 2-114



L806SM LED
Page 2-115



L807SM LED
Page 2-116



SPAN LED Wall Wash
Page 2-117



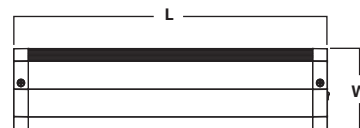
HU10 LED UNDERCABINET

FEATURES

- Less than 3/4" overall fixture height
- Heavy gauge aluminum housing
- Cord and plug or Direct wire (with accessory)
- Even light distribution
- Mounting hardware included
- Available in White and Matte Black Finishes

Compliances may not apply to all product configurations. Please consult the product spec sheet for compliance details.

COMPLIANCES: UL/cUL Listed, IECC Compliant, ASHRAE Compliant, ENERGY STAR Qualified, FCC Compliant



L	W	H
12-3/8" [315mm]	3-1/4" [83mm]	1-1/16" [27mm]
18-3/8" [467mm]	3-1/4" [83mm]	1-1/16" [27mm]
24-3/8" [619mm]	3-1/4" [83mm]	1-1/16" [27mm]



ORDERING INFORMATION

SAMPLE NUMBER: HU1012D830P

Family	Length	Dimming	Lens	CRI	Color Temperature	Finish	Accessories
HU10=Halo Integrated Driver Undercabinet	12=12" 18=18" 24=24"	D=Dimmable ¹	[Blank]=Clear	8=80 CRI	30=3000K	P=White MB=Matte Black	HU101=3" Daisy Chain Connector HU102=6" Daisy Chain Connector HU103=24" Daisy Chain Connector HU104=120" Daisy Chain Connector HU105=48" Power Cord HU106=Splice Box HU107=1-1/2" Male-to-Male Connector

NOTES: 1. See our website for dimmer compatibility guide - www.cooperlighting.com.

FEATURES

- Less than 3/4" overall fixture height
- Patented magnetic contact technology provides unlimited adjustability
- Low voltage track system with remote Driver
- Integrated Hi/Off/Low switch on driver
- Even light distribution
- Mounting hardware included
- Available in White and Matte Black Finishes



HU20 LED UNDERCABINET

TRACK ORDERING INFORMATION

SAMPLE NUMBER: HU2012MB

Track System	Length	Finish
HU20=Halo LED Undercabinet	12=12" 18=18" 24=24"	P=White MB=Matte Black

LED PUCK ORDERING INFORMATION

SAMPLE NUMBER: HU20P830P

Luminaire System	Form Factor	CRI	Color Temperature	Finish
HU20=Halo LED Undercabinet	P=Puck	8=80 CRI	30=3000K	P=White MB=Matte Black

POWER SUPPLY ORDERING INFORMATION

SAMPLE NUMBER: HU20C45P

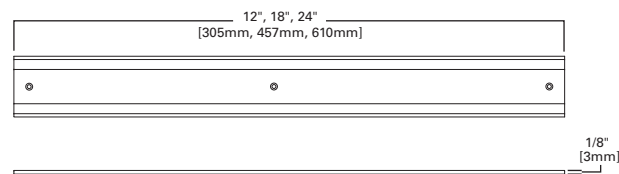
Power Supply System	Form Factor	Wattage	Finish
HU20=Halo LED Undercabinet	C=Corded	45=45W	P=White MB=Matte Black

CONNECTOR ORDERING INFORMATION

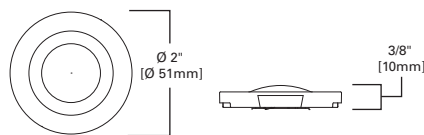
SAMPLE NUMBER: HU201P

Accessories	Finish
HU201=Linear Connector HU202=6" Connector HU203=24" Connector HU204=120" Connector	P=White MB=Matte Black

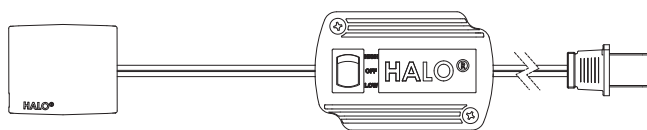
TRACK



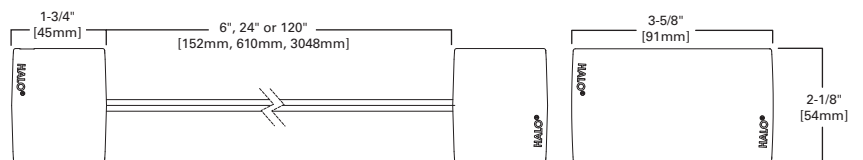
LED PUCK



POWER SUPPLY



CONNECTOR



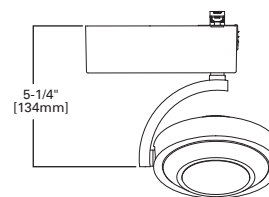
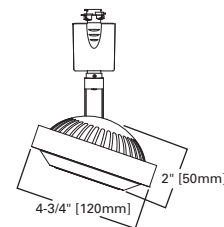
Specifications and dimensions subject to change without notice. Consult your Cooper Lighting Representative or visit www.cooperlighting.com for available options, accessories and ordering information.

**FEATURES**

- Various optical distributions available
- Available in 3000K and 4000K
- CRI above 80
- Die-cast aluminum construction
- Excellent thermal performance for 70% lumen maintenance at 50,000 hrs
- Finishes: White(P), Matte Black(MB) and Aluminum Haze(AH)

Compliances may not apply to all product configurations. Please consult the product spec sheet for compliance details.

COMPLIANCES: UL/cUL Listed, DLC Qualified

**L806 LED****ORDERING INFORMATION**

SAMPLE NUMBER: L806SP8030AH

Track	LED	Beam	CRI	CCT	Finish	Voltage
L=Halo and Lazer Power-Trac LJ=Juno® Track ¹ LL=Lightolier® Track ² L2G=Global® TEK or HTEK ³	806=806	FL=Flood 37° SN=Narrow Flood 22° SP=Spot 15°	80=85 CRI	30=3000K 40=4000K	AH=Aluminum Haze MB=Black P=White	277=277 VAC (Only with HTEK) [Blank]=120V

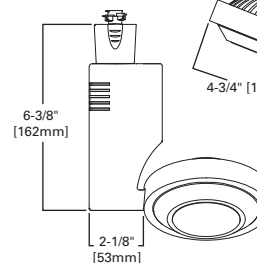
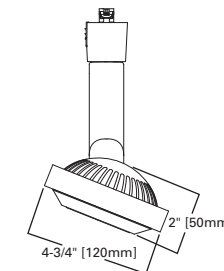
NOTES: 1. Juno® T single circuit and 2-circuit track contact. Juno® is a registered trademark of Juno® Lighting. 2. Lightolier® Lyfespan 6000 single circuit and 2 circuit track contact. Lightolier® is a registered trademark of Philips Lighting. 3. Global® is a registered trademark of Nordic Aluminum.

**FEATURES**

- Various optical distributions available
- Available in 3000K and 4000K
- CRI above 80
- Die-cast aluminum construction
- Excellent thermal performance for 70% lumen maintenance at 50,000 hrs
- Finishes: White(P), Matte Black(MB) and Aluminum Haze(AH)

Compliances may not apply to all product configurations. Please consult the product spec sheet for compliance details.

COMPLIANCES: UL/cUL Listed, DLC Qualified

**L807 LED****ORDERING INFORMATION**

SAMPLE NUMBER: L807SP8030AH

Track	LED	Beam	CRI	CCT	Finish	Voltage
L=Halo and Lazer Power-Trac LJ=Juno® Track ¹ LL=Lightolier® Track ² L2G=Global® TEK or HTEK ³	807=807	FL=Flood 37° SN=Narrow Flood 22° SP=Spot 15°	80=85 CRI	30=3000K 40=4000K	AH=Aluminum Haze MB=Black P=White	277=277 VAC (Only with HTEK) [Blank]=120V

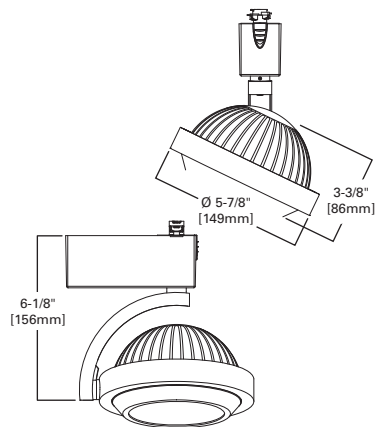
NOTES: 1. Juno® T single circuit and 2-circuit track contact. Juno® is a registered trademark of Juno® Lighting. 2. Lightolier® Lyfespan 6000 single circuit and 2 circuit track contact. Lightolier® is a registered trademark of Philips Lighting. 3. Global® is a registered trademark of Nordic Aluminum.

FEATURES

- Various optical distributions available
- Available in 3000K and 4000K
- CRI above 80
- Die-cast aluminum construction
- Excellent thermal performance for 70% lumen maintenance at 50,000 hrs
- Finishes: White(P), Matte Black(MB) and Aluminum Haze(AH)

Compliances may not apply to all product configurations. Please consult the product spec sheet for compliance details.

COMPLIANCES: UL/cUL Listed, DLC Qualified



L806HO LED

ORDERING INFORMATION

SAMPLE NUMBER: L806HOSP8030AH

Track	LED	Beam	CRI	CCT	Finish	Voltage	Accessories (Order Separately)
L=Halo and Lazer Power-Trac LJ=Juno® Track ¹ LL=Lightolier® Track ² L2G=Global® TEK or HTEK ³	806HO =806HO	FL=Flood 45° NF=Narrow Flood 25° WS=Wide Spot 16° SP=Spot 11°	80 =80 min	27 =2700K 30 =3000K 40 =4000K	AH =Aluminum Haze MB =Black P =White	277 =277 VAC (Only with HTEK) [Blank] =120V	OPK8067HOSP =Kit, Optics 806HO, 807HO, Spot OPK8067HOWS =Kit, Optics 806HO, 807HO, Wide Spot OPK8067HONF =Kit, Optics 806HO, 807HO, Narrow Flood OPK8067HOFL =Kit, Optics 806HO, 807HO, Flood

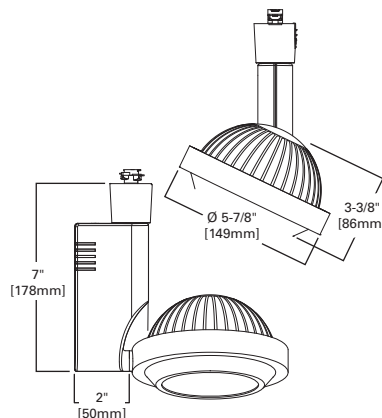
NOTES: 1. Juno® T single circuit and 2-circuit track contact. Juno® is a registered trademark of Juno® Lighting. 2. Lightolier® Lyfspan 6000 single circuit and 2 circuit track contact. Lightolier® is a registered trademark of Philips Lighting. 3. Global® is a registered trademark of Nordic Aluminum.

FEATURES

- Various optical distributions available
- Available in 3000K and 4000K
- CRI above 80
- Die-cast aluminum construction
- Excellent thermal performance for 70% lumen maintenance at 50,000 hrs
- Finishes: White(P), Matte Black(MB) and Aluminum Haze(AH)

Compliances may not apply to all product configurations. Please consult the product spec sheet for compliance details.

COMPLIANCES: UL/cUL Listed, DLC Qualified



L807HO LED

ORDERING INFORMATION

SAMPLE NUMBER: L807HOSP8030AH

Track	LED	Beam	CRI	CCT	Finish	Voltage	Accessories (Order Separately)
L=Halo and Lazer Power-Trac LJ=Juno® Track ¹ LL=Lightolier® Track ² L2G=Global® TEK or HTEK ³	807HO =807HO	FL=Flood 45° NF=Narrow Flood 25° WS=Wide Spot 16° SP=Spot 11°	80 =80 min	27 =2700K 30 =3000K 40 =4000K	AH =Aluminum Haze MB =Black P =White	277 =277 VAC (Only with HTEK) [Blank] =120V	OPK8067HOSP =Kit, Optics 806HO, 807HO, Spot OPK8067HOWS =Kit, Optics 806HO, 807HO, Wide Spot OPK8067HONF =Kit, Optics 806HO, 807HO, Narrow Flood OPK8067HOFL =Kit, Optics 806HO, 807HO, Flood

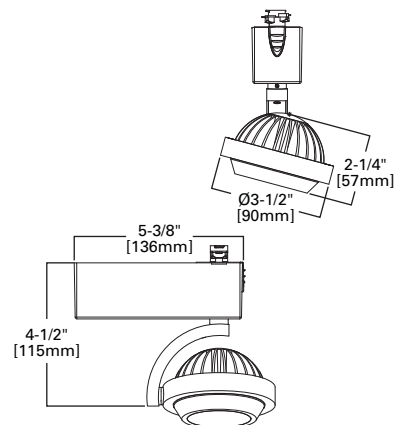
NOTES: 1. Juno® T single circuit and 2-circuit track contact. Juno® is a registered trademark of Juno® Lighting. 2. Lightolier® Lyfspan 6000 single circuit and 2 circuit track contact. Lightolier® is a registered trademark of Philips Lighting. 3. Global® is a registered trademark of Nordic Aluminum.

**FEATURES**

- Various optical distributions available
- Available in 2700K, 3000K and 4000K
- CRI above 80
- Die-cast aluminum construction
- Excellent thermal performance for 70% lumen maintenance at 50,000 hrs
- Finishes: White(P), Matte Black(MB) and Aluminum Haze(AH)

Compliances may not apply to all product configurations. Please consult the product spec sheet for compliance details.

COMPLIANCES: UL/cUL Listed, DLC Qualified

**L806SM LED****ORDERING INFORMATION**

SAMPLE NUMBER: L806SMFL830AH

Track	LED	Beam	CRI	CCT	Finish	Voltage	Accessories (Order Separately)
L=Halo and Lazer Power-Trac LJ=Juno® Track ¹ LL=Lightolier® Track ² L2G=Global® TEK or HTEK ³	806SM =806SM	SP=Spot 14° WS=Wide Spot 18° NF=Narrow Flood 28° FL=Flood 44°	80=80+	27=2700K 30=3000K 40=4000K	AH=Aluminum Haze MB=Black P=White	277=277 VAC (Only with HTEK) [Blank]=120V	OPK8067SMFL=Kit, Optics 806SM, 807SM, Flood OPK8067SMNF=Kit, Optics 806SM, 807SM, Narrow Flood OPK8067SMSP=Kit, Optics 806SM, 807SM, Spot OPK8067SMWS=Kit, Optics 806SM, 807SM, Wide Spot

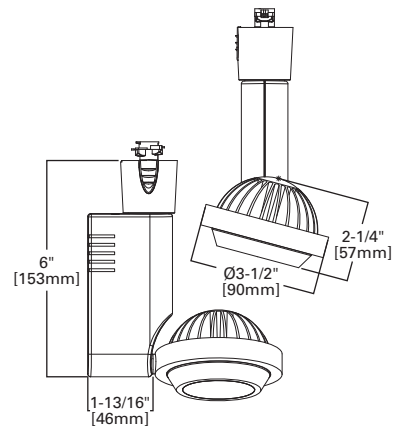
NOTES: 1. Juno® T single circuit and 2-circuit track contact. Juno® is a registered trademark of Juno® Lighting. 2. Lightolier® Lyfspan 6000 single circuit and 2 circuit track contact. Lightolier® is a registered trademark of Philips Lighting. 3. Global® is a registered trademark of Nordic Aluminum.

**FEATURES**

- Various optical distributions available
- Available in 2700K, 3000K and 4000K
- CRI above 80
- Die-cast aluminum construction
- Excellent thermal performance for 70% lumen maintenance at 50,000 hrs
- Finishes: White(P), Matte Black(MB) and Aluminum Haze(AH)

Compliances may not apply to all product configurations. Please consult the product spec sheet for compliance details.

COMPLIANCES: UL/cUL Listed, DLC Qualified

**L807SM LED****ORDERING INFORMATION**

SAMPLE NUMBER: L807SMFL830AH

Track	LED	Beam	CRI	CCT	Finish	Voltage	Accessories (Order Separately)
L=Halo Power-Trac LJ=Juno® Track ¹ LL=Lightolier® Track ² L2G=Global® TEK or HTEK ³	807SM =807SM	SP=Spot 14° WS=Wide Spot 18° NF=Narrow Flood 28° FL=Flood 44°	80=80+	27=2700K 30=3000K 40=4000K	AH=Aluminum Haze MB=Black P=White	277=277 VAC (Only with HTEK) [Blank]=120V	OPK8067SMFL=Kit, Optics 806SM, 807SM, Flood OPK8067SMNF=Kit, Optics 806SM, 807SM, Narrow Flood OPK8067SMSP=Kit, Optics 806SM, 807SM, Spot OPK8067SMWS=Kit, Optics 806SM, 807SM, Wide Spot

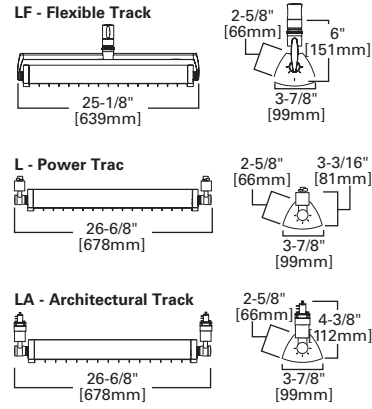
NOTES: 1. Juno® T single circuit and 2-circuit track contact. Juno® is a registered trademark of Juno® Lighting. 2. Lightolier® Lyfspan 6000 single circuit and 2 circuit track contact. Lightolier® is a registered trademark of Philips Lighting. 3. Global® is a registered trademark of Nordic Aluminum.

FEATURES

- Three lumen packages
- Available in 3000K and 4000K
- CRI above 80
- Die-cast aluminum construction
- Excellent thermal performance for 70% lumen maintenance at 50,000 hrs
- Optional louver accessory
- Finishes: White(P), Matte Black(MB) and Aluminum Haze(AH)

Compliances may not apply to all product configurations. Please consult the product spec sheet for compliance details.

COMPLIANCES: UL/cUL Listed, DLC Qualified



SPAN LED WALL WASH

ORDERING INFORMATION

SAMPLE NUMBER: L80228030P

Track	Lamp Type	Series	Output	CRI	CCT	Finish	Voltage
L=Halo and Lazer Power-Trac L2G=Global® TEK or HTEK ¹ LA=Architectural Track LF=Flexible Track LJ=Juno® Track ² LL=Lightolier® Track ³	8=LED	02=Span	2=2000 lm 3=3000 lm 4=4000 lm	80=80+	30=3000K 40=4000K	AH=Aluminum Haze MB=Black P=White	277=277 VAC (Only with HTEK) [Blank]=120V

NOTES: 1. Global® is a registered trademark of Nordic Aluminum. 2. Juno® T single circuit and 2-circuit track contact. Juno® is a registered trademark of Juno® Lighting. 3. Lightolier® Lyfespace 6000 single circuit and 2 circuit track contact. Lightolier® is a registered trademark of Philips Lighting.

Lower Mainland Locations

Burnaby
3935 2nd Avenue
Burnaby, BC V5C 3W9
Tel: 604-292-4800

Langley
#101 - 20550 Duncan Way
Langley, BC V3A 7A3
Tel: 604-533-1275

Richmond
12360 Vickers Way
Richmond, BC V6V 1H9
Tel: 604-273-1981

Surrey
13055 80th Avenue
Surrey, BC V3W 3B1
Tel: 604-596-7111

Island Locations

Campbell River
1030 B - 9th Avenue
Campbell River, BC V9W 4C2
Tel: 250-287-9265

Courtenay
2615 Moray Place
Courtenay, BC V9N 8A9
Tel: 250-334-0338

Duncan
5286 Polkey Road
Duncan, BC V9L 6W3
Tel: 250-748-3377

Parksville
#105 - 425 E. Stanford Avenue
Parksville, BC V9P 2N4
Tel: 250-954-1797

Interior Locations

Cranbrook
Unit A #800 Industrial Road. #2
Cranbrook, BC V1C 4C9
Tel: 250-489-4591

Kamloops
B-983 Camosun Crescent
Kamloops, BC V2C 6G1
Tel: 250-374-3191

Penticton
401 Okanagan Avenue
Penticton, BC V2A 3K1
Tel: 250-492-4032

Vernon
5203 24th Street
Vernon, BC V1T 8X7
Tel: 250-545-2191

Williams Lake
527 S. MacKenzie Avenue
Williams Lake, BC V2G 1C8
Tel: 250-392-7795

Alberta Locations

Unit 9, 7223 68 Avenue,
Edmonton, Alberta T6B 3T6

Northern Locations

Dawson Creek
1101 97th Avenue
Dawson Creek, BC V1G 1N5
Tel: 250-782-4896

Fort Nelson
PO Box 3266 - 5016 48th Avenue
Fort Nelson, BC V0C 1R0
Tel: 250-233-8570

Kitimat
622 Commercial Avenue
Kitimat, BC V8C 2C5
Tel: 250-632-3774

Prince George
2255 S. Quinn Street
Prince George, BC V2N 2X4
Tel: 250-563-0575

Terrace
5000 Pohle Avenue
Terrace, BC V8G 4S8
Tel: 250-635-6379

Specialty Divisions

Process, Automation &
Controls Group
Tel: 778-545-9916

Projects Group
Tel: 604-596-7111

Data Communications Group
Tel: 778-545-9916

Lighting Specialist
Tel: 778-545-9916



Head Office
19295 25th Avenue
Surrey, BC V3Z 3X1
Tel: 778-545-9916
Fax: 778-545-3099
Toll Free: 1-888-467-7626

Visit our

You Tube Channel

www.youtube.com/user/ebhorsman

Shop Online



ebhorsman.com