

## Low Voltage / Dry Contact Switches

### General Information

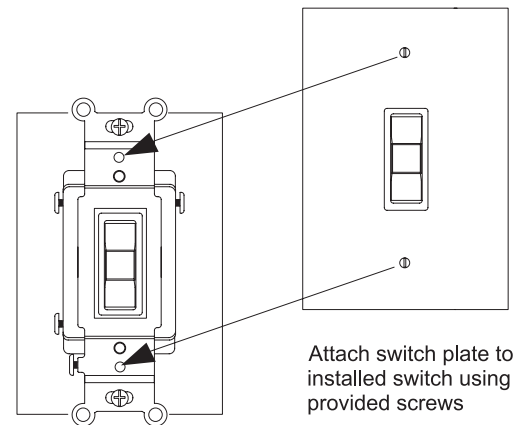
The GM series of low voltage dry contact switches are available in a three wire momentary (SPDT), three wire momentary locking (SPDT), and a two wire maintained style (SPST). These switches can be used with any Greengate lighting controller.

### Getting Started

1. Do not discard these installation instructions. Please keep for future reference and operation information.
2. It is recommended that all low voltage wiring be done with power removed to the logic board to protect components from potential shorts during the wiring process.
3. Use only as intended and at the listed voltage.
4. All installation and service must be performed by qualified personnel or service technicians.
5. Install in accordance with the National Electrical Code and any other codes which may apply.
6. Installation and wiring information contained in this document is based on industry-accepted standards and practices. If conflicts exist between these instructions and any applicable codes or ordinances, please contact Greengate before proceeding with the installation.
7. High voltage is present inside the lighting enclosure. Use extreme caution when performing maintenance on this equipment.
8. Document all wiring and device terminations and locations so that devices can be properly configured and programmed for operation.

### Mounting Detail

1. Rough-in the appropriate size wall box for the switch plate ordered.
2. Once wiring is complete, install the switch into the wall box with the provided screws.
3. Mount the switch face plate to the wall switch with the provided screws.



### Wiring Detail

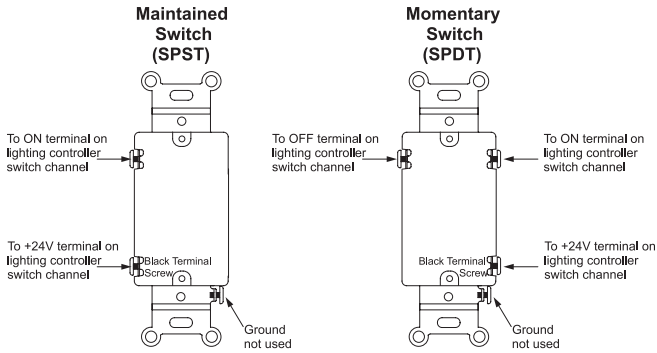
All low voltage wiring is Class 2 wiring and must enter the lighting controller enclosure through the low voltage section of the enclosure. All low voltage wiring must be run in separate conduit from line voltage wiring. Failure to separate high voltage from low voltage wiring may cause interference with logic board function.

For all momentary SPDT switches, cabling should be 18 AWG twisted, three-conductor, unshielded cable. For all maintained SPST switches, cabling should be 18 AWG twisted, two-conductor unshielded cable. Maximum length for dry contact closure device wiring is 1000 feet.

## Key Switch Model Operation

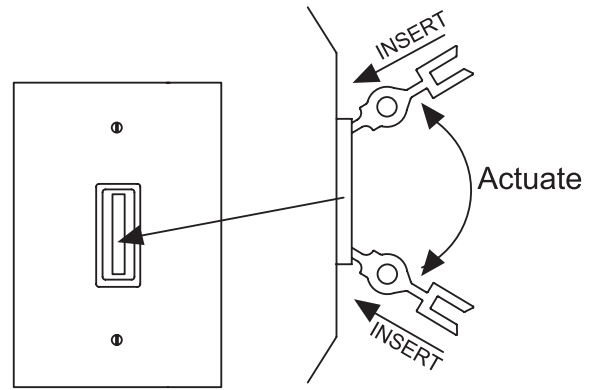
Connections are made to terminal screws on the wall switch. The ground screw of the wall switch will not be used in this low voltage installation.

Momentary style switches may be wired in parallel to the same switch channel if they control the same lighting loads (3-way application). Maintained style switches are not recommended for 3 way applications. If used in this application, each maintained style switch will need to be homerun to the lighting controller and wired to a separate low voltage switch channel.

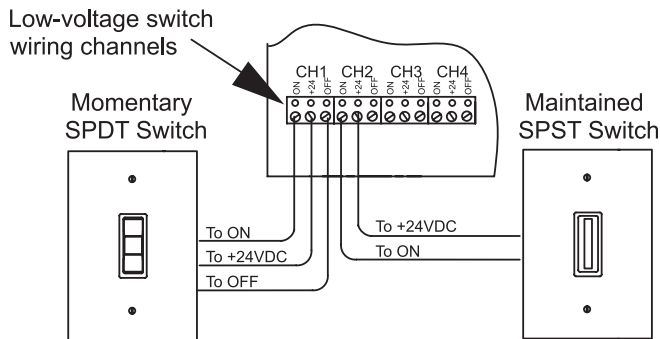


## Key Switch Model Operation

To operate key switch models, keys are taped to back of switch upon receipt. Insert the single tab end of the key into the slot near the top or bottom of the switch and press up or down to actuate the switch.



## Switch Wiring to Lighting Controller



## WARRANTIES AND LIMITATION OF LIABILITY

Please refer to [www.coopercontrol.com](http://www.coopercontrol.com) under the Legal section for our terms and conditions.

**Eaton**  
1000 Eaton Boulevard  
Cleveland, OH 44122  
United States  
Eaton.com

Eaton's Cooper Controls Business  
203 Cooper Circle  
Peachtree City, GA 30269  
CooperControl.com

© 2014 Eaton  
All Rights Reserved  
Printed in USA  
P/N: 9850-000471-00

Eaton is a registered trademark.  
All trademarks are property  
of their respective owners.

Eaton est une marque de commerce  
déposée. Toutes les autres marques  
de commerce sont la propriété de leur  
propriétaire respectif.

Eaton es una marca comercial  
registrada. Todas las marcas  
comerciales son propiedad de sus  
respectivos propietarios.