

Installation Instructions for Rotary Handle on G-Frame Circuit Breakers



WARNING

DO NOT ATTEMPT TO INSTALL OR PERFORM MAINTENANCE ON EQUIPMENT WHILE IT IS ENERGIZED. SEVERE PERSONAL INJURY, DEATH, OR SUBSTANTIAL PROPERTY DAMAGE CAN RESULT FROM CONTACT WITH ENERGIZED EQUIPMENT. ALWAYS VERIFY THAT NO VOLTAGE IS PRESENT BEFORE PROCEEDING WITH THE TASK, AND ALWAYS FOLLOW GENERALLY ACCEPTED SAFETY PROCEDURES.

CUTLER-HAMMER IS NOT LIABLE FOR THE MISAPPLICATION OR MISINSTALLATION OF ITS PRODUCTS.

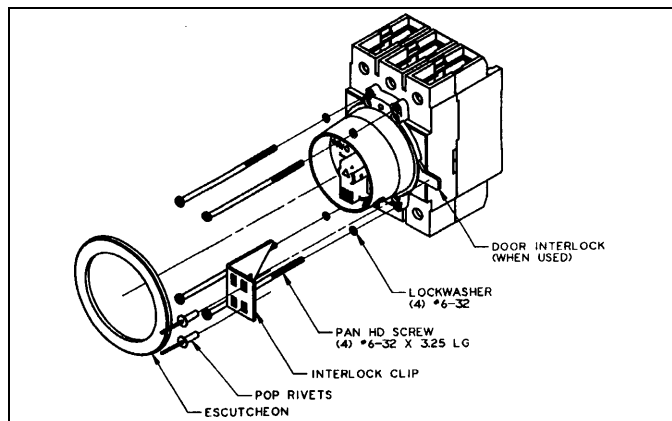


Fig. 1.2 Shrouded G-Frame Rotary Handle^①

① For a 2 pole breaker, only use 2 lock washers and screws on the right side of the handle mechanism.

Complete Cat. #	Handle Feature:		For Use With:	
	Color	Type	Enclosure	Breaker
HRGCC10	Black	Standard	NEMA I	GC/GHC/GD
HRGCC1S	Black	Shrouded	NEMA I	GC/GHC/GD
HRGMC10	Black	Standard	NEMA I	GMCP
HRGMC1S	Black	Shrouded	NEMA I	GMCP
HRGCC30	Yellow	Standard	NEMA I	GC/GHC/GD
HRGCC3S	Yellow	Shrouded	NEMA I	GC/GHC/GD
HRGMC30	Yellow	Standard	NEMA I	GMCP
HRGMC3S	Yellow	Shrouded	NEMA I	GMCP

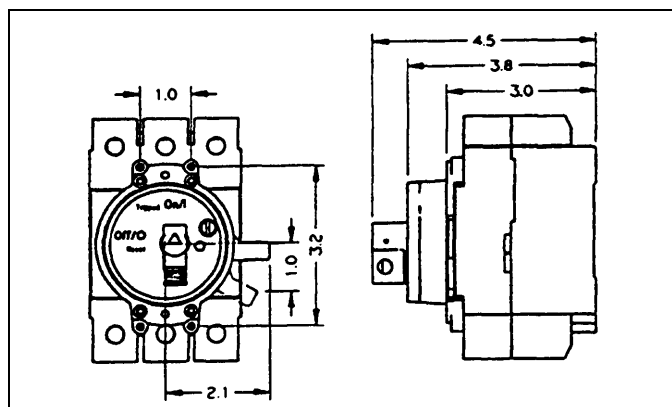


Fig. 2.1 G-Frame Rotary Handle Outline Dimensions

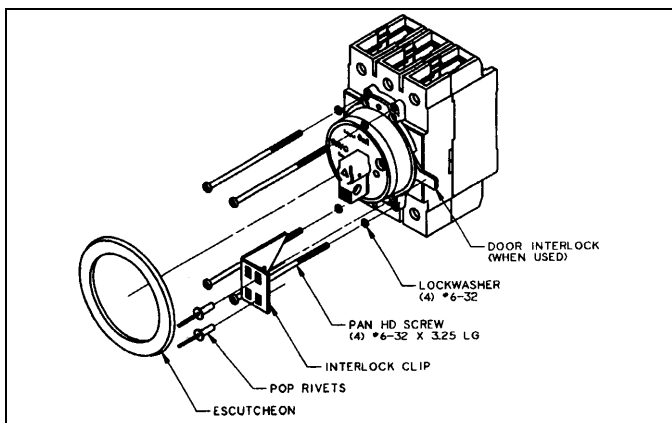


Fig. 1.1 Standard G-Frame Rotary Handle^①

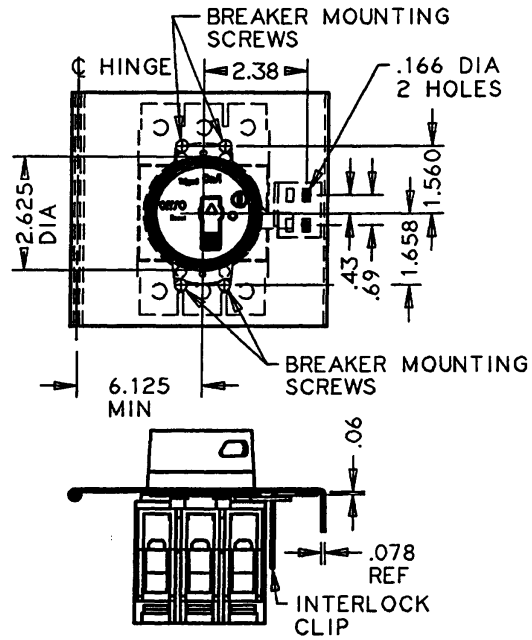
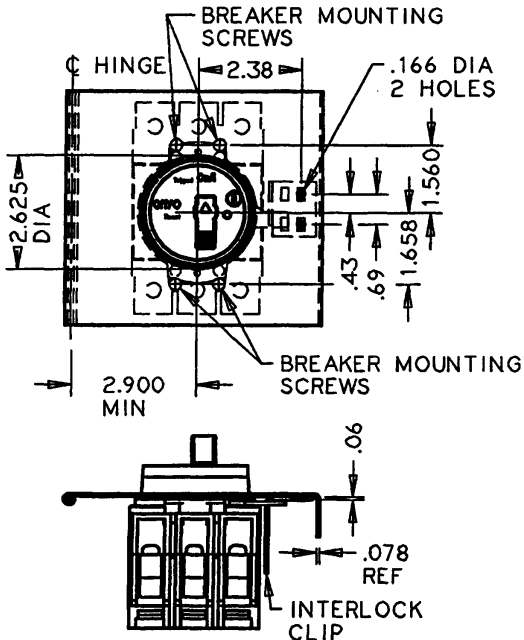
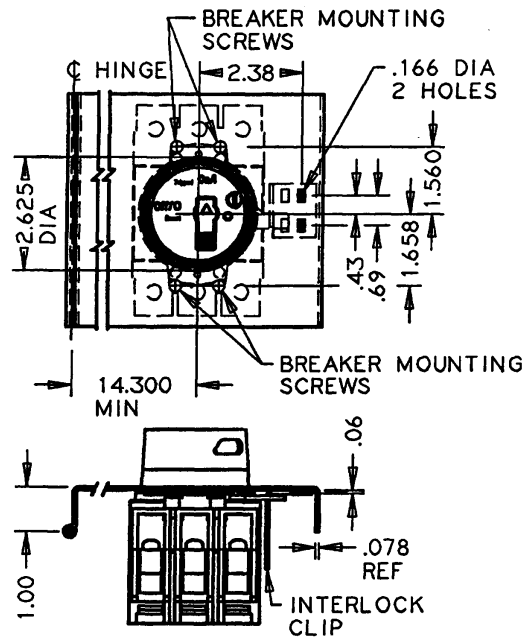
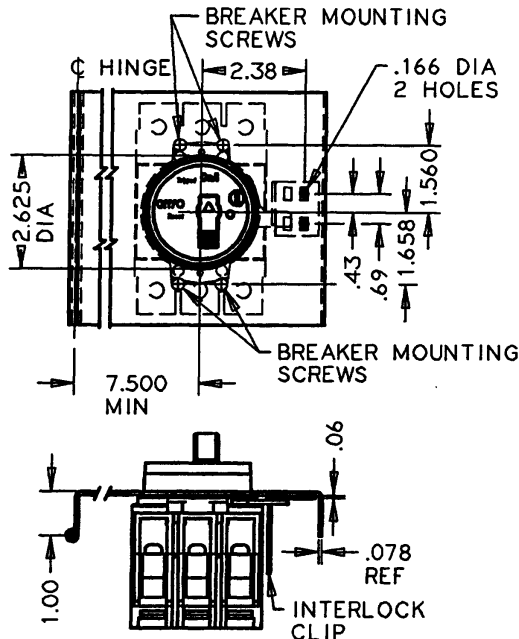


Fig. 3.1 Enclosure Drilling Plan and Interlock Clip Mounting Dimensions for Standard and Shrouded G-Frame Rotary Handle

INSTALLATION INSTRUCTIONS

1. Calculate and fabricate the hat plate from the figure below. After the hat plate is made, drill or tap the #6 - 32 screws to mount the handle mechanism and circuit breaker. Refer to Fig. 2.1 for mounting hole dimensions.
2. Place circuit breaker in off position. Position the handle mechanism in the off position by turning the mechanism counterclockwise until the handle on the rotary mechanism indicates the off position. Place the mechanism onto the circuit breaker such that the slot on the slider of the mechanism mates into the breaker handle. Evenly fasten the #6 - 32 screws and lock washers through the handle mechanism and breakers and into the hat plate. Torque the screws no more than 4.0 lb-in.



CAUTION

BE CERTAIN TO CORRECTLY ASSEMBLE THE HANDLE MECHANISM TO THE CIRCUIT BREAKER. FAILURE TO DO THIS WILL CAUSE IMPROPER OPERATION AND BREAKAGE OF PARTS.



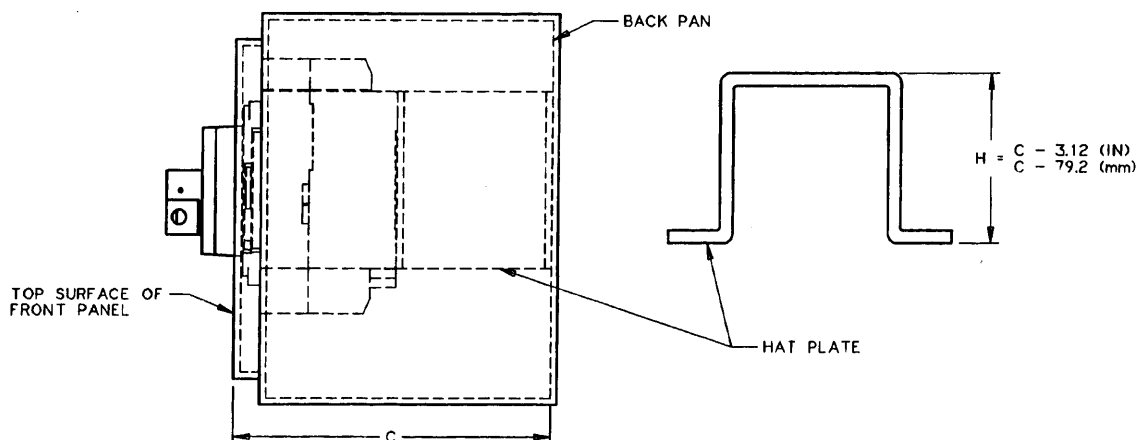
CAUTION

DO NOT EXCEED TORQUE LIMITS ON SCREWS. HIGHER TORQUES COULD CAUSE CRACKING ON HANDLE MECHANISM AND IMPROPER OPERATION.

3. Mount the breaker, handle mechanism, and hat plate assembly to the back pan of the enclosure.

NOTE: Before mounting, be certain that the minimum front panel dimension from the center of the handle mechanism to the hinge is acquired to allow minimum door clearance.

4. Measure the distance from the hinge to the center of the handle mechanism. Measure the distance perpendicular to the last measurement from the center of the handle mechanism to one of the sides of the enclosure. With the front panel door closed mark these measurements and drill a .25 dia. hole. Check to see if the hole is center to the handle mechanism. From inspection of the .25 dia hole, drill the 2.625 dia. hole in the front panel as shown in Fig. 3.1.
5. Attach the interlock clip to the enclosure door by drilling 2.166 dia holes to the enclosure door and attaching the pop rivets. Refer to Fig. 1.1 and 1.2 for proper orientation and Fig. 3.1 for mounting hole dimensions.
6. Peel the paper backing from the escutcheon plate and place centered over the hole on the outside of the front panel. (Optional)
7. With main power OFF, check the rotary handle operation in the ON, OFF, and RESET positions.



Cutler-Hammer

Pittsburgh, Pennsylvania U.S.A.

Style No. 8698C42H05 Effective November 1998
Printed in U.S.A./CCI

