

FHE INSTALLATION INSTRUCTIONS:

**READ AND FOLLOW ALL SAFETY INSTRUCTIONS!
SAVE THESE INSTRUCTIONS AND DELIVER TO OWNER AFTER INSTALLATION**

IMPORTANT SAFETY INSTRUCTIONS

▲ WARNING

To reduce the risk of death, injury or property damage from fire, electric shock, cuts, abrasions, falling parts, and other hazards:

- Service of the equipment must be performed by qualified service personnel.
- Installation and maintenance must be performed by a person familiar with the construction and operation of this product and any hazards involved. All applicable codes and ordinances must be followed.
- Read this document before installing, servicing, or maintaining this equipment or installing a lamp. These instructions do not cover all installation, service, and maintenance situations. If your situation is not covered, or if you do not understand these instructions or additional information is required, contact *Lithonia Lighting* or your local *Lithonia Lighting* Distributor.
- Read and follow all warnings and instructions provided by the lamp manufacturer.

WARNING

Before installing, servicing, or maintaining this equipment, follow these general precautions.

To reduce the risk of electrocution:

- Make sure the equipment is properly grounded.
- Always de-energize the circuit and/or equipment before connecting to, disconnecting from, or servicing the equipment.

To reduce the risk of fire:

- Keep material away that can burn from hot lamp.
- Make sure lamps are correctly installed.
- Use supply conductors with a minimum installation temperature rating as specified on equipment.

To reduce the risk of personal injury from cuts, abrasions, or falling parts:

- Wear gloves to prevent cuts or abrasions from sharp edges when removing from carton, handling and maintaining this equipment.
- Do not use abrasive materials, glass cleaners or other solvents on reflector or lens. These substances may damage equipment and cause parts to eventually break and fall.
- Do not install a damaged fixture.

CAUTION: Observe lamp manufacturer's recommendations and restrictions on lamp operation, including but not limited to ballast type, burning position, replacement and cycling. Use only lamps that comply with applicable ANSI standards.

NOTICE: If lamp is marked  it contains mercury. Follow disposal laws. See www.lamprecycle.org

ACUITYBRAND assumes no responsibility for claims arising out of improper or careless installation or handling of this product.

SAVE THESE INSTRUCTIONS

FHE Installation Instructions

TROUBLE SHOOTING

If this fixture fails to operate properly, check to make sure:

- The correct lamp is properly installed.
- The fixture is wired correctly.
- The lamp is not faulty.
- The fixture is grounded correctly.
- The line voltage at the fixture is correct.

FHE INSTALLATION INSTRUCTIONS

INSTALLATION OF THIS FIXTURE IN ANY OTHER MANNER THAN WHAT IS INDICATED WITHIN THE SUPPLIED INSTRUCTIONS WILL VOID ALL WARRANTIES.

These instructions are for NORMAL On/Off operations.

Ensure proper voltage will be supplied to the fixture. Check the fixture label on the carton for fixture voltage. Fixture must be grounded before use. Remove fixture from packaging and check for damage. Remove plastic film from lens prior to installation.

MOUNTING METHODS

The following mounting methods are available. The WLF & PMP options must be specified when ordered.



Cable

V-hook, cable

V-hook, chain

EMK



SMB

RMK

PMP

WLF

b

INDUSTRIAL VALUE STREAM
One Lithonia Way, Conyers, GA 30012
Phone: 800-315-4963 Fax: 770-981-8141
www.lithonia.com

Part Number: UT04501
Revision Date: 1/14/11

FHE Installation Instructions

Suspended Mounting Methods:

CABLE: For cable mounting, install the cable into the four provided mounting brackets on the fixture.

V-HOOK, CABLE/CHAIN: For V-hook mounting, install the stainless steel V-hooks into the four provided mounting brackets on the fixture. Cable or chain is attached to the V-Hooks.

EMK: (End Mount Kit) For EMK mounting, install the stainless steel mounting plates on the ends of the fixture with the provided fittings. Cable is attached to the mounting plates.

Surface Mounting Methods:

SMB: (Surface Mount Bracket) For SMB mounting, install the stainless steel mounting brackets to the facility mounting points using a 36.0" spacing. Install the fixture onto the SMB brackets using the four provided mounting brackets on the fixture. Alternate installation: Attach the SMB mounting brackets to the fixture and install the fixture/mounting bracket assembly to the facility mounting points. SMB bracket detail provided below.

RMK: (Rigid Mount Kit) For RMK mounting, install the stainless steel mounting brackets to the facility mounting points as shown below under RMK Installation. Install the fixture onto the RMK brackets using the four provided mounting brackets on the fixture. Alternate installation: Attach the RMK mounting brackets to the fixture and install the fixture/mounting bracket assembly to the facility mounting points. RMK bracket detail provided below.

Pendant Mounting Methods:

PMP: (One Point Pendant Mount) For PMP mounting, install the water tight threaded fitting for ½" rigid conduit in the provided hole in the center back of the fixture. Install cable or chain mounting for additional support and to maintain fixture orientation. Fixture must not be supported by one point pendant mount alone. The PMP option must be specified when ordered.

WLF: (Two Point Pendant Mount) For WLF mounting, install the water tight threaded fittings for ½" rigid conduit in the provided holes in the back of the fixture. The WLF option must be specified when ordered.

GENERAL INSTALLATION

For all mounting methods make sure the facility mounting points and mounting hardware (provided by others) is rated for 4X the fixture load. The fixture mounting bracket spacing is 36.0" apart. The EMK mounting option spacing is 49.0" apart. The WLF mounting option spacing is 40.0" apart.

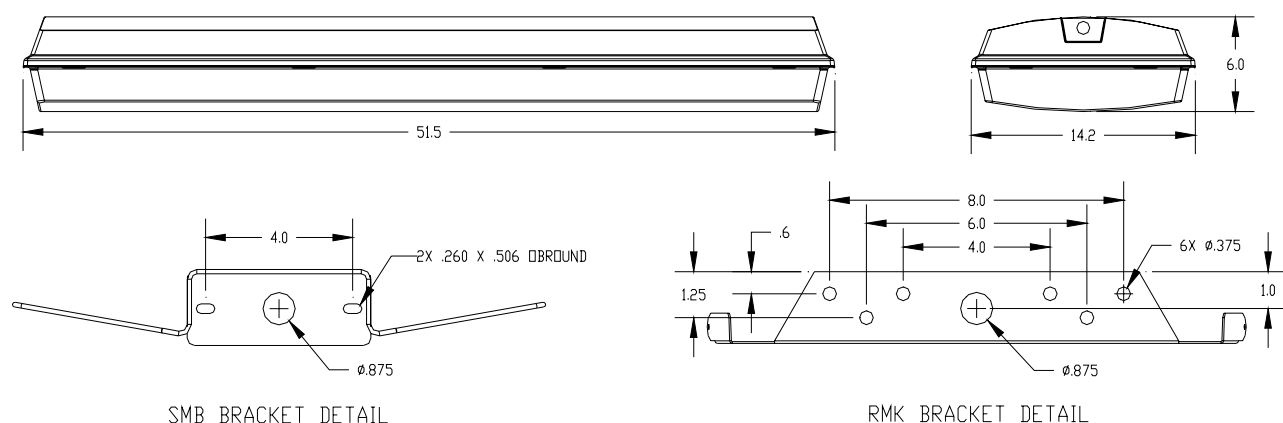


Figure 1.

b

INDUSTRIAL VALUE STREAM
One Lithonia Way, Conyers, GA 30012
Phone: 800-315-4963 Fax: 770-981-8141
www.lithonia.com

Part Number: UT04501
Revision Date: 1/14/11

FHE Installation Instructions

RMK INSTALLATION

1. Install the RMK mounting brackets to the mounting points facing each other 33.0" apart as shown in Figure 2.

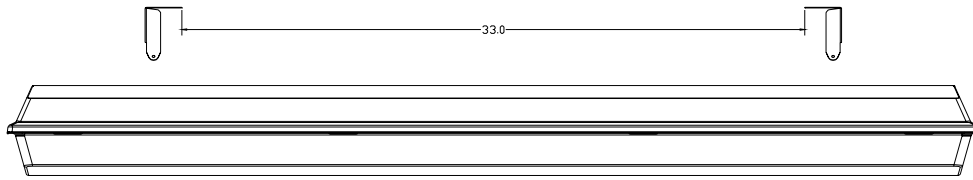


Figure 2.

2. Place the fixture against the RMK mounting brackets. The RMK mounting brackets should be behind the fixture mounting clips as shown in Figure 3.
3. Install 4X the provided stainless steel screws through the mounting clips and into the RMK mounting bracket holes as shown in Figure 4.



Figure 3.



Figure 4.

4. Inspect for secure mounting and make sure the power cord is not pinched between the fixture housing and RMK mounting brackets.

RMK ALTERNATE INSTALLATION:

1. Attach the mounting brackets to the fixture following steps 2 through 4 above.
2. Install fixture/mounting bracket assembly to the mounting points.

EMK INSTALLATION

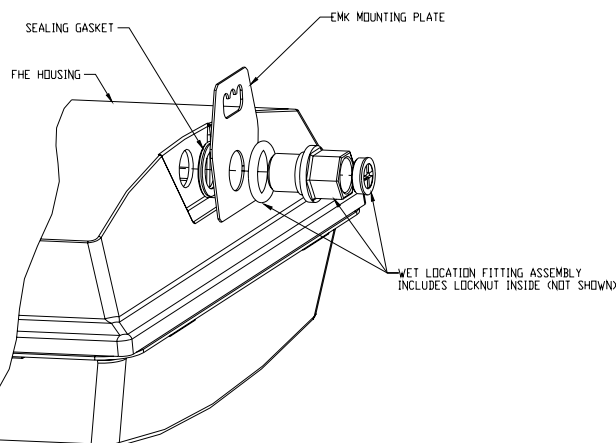


Figure 5.

FHE Installation Instructions

BALLAST AND WIRING ACCESS

Once the fixture is suspended:

1. Remove the lens by supporting the lens with one hand and releasing the 12 latches (Figure 6) with the other hand. Once all latches are detached, support lens until suspended by tether straps.
2. To open the gear tray, support the gear tray with one hand and with the other hand push the gear tray latch at one end outward to release the gear tray (Figure 7). On the opposite end lengthwise (Figure 8), while supporting the gear tray with one hand push the opposite gear tray latch outward to release the gear tray. Slowly lower the gear tray, it will hinge on the remaining gear tray latches (Figure 9). Support the gear tray to prevent reflector damage. Do not release both latches on one end of the fixture.
3. Make the electrical connection to the fixture in accordance with your local electrical code. Make all necessary wiring connections, observing proper voltage and polarity.
4. When closing the gear tray ensure the gear tray rotates freely in the gear tray latches and that the gear tray is not pinching/catching wires or lens latches. Once closed verify the gear tray latches are fully engaged.
5. If reflectors are provided with a protective film, remove the film prior to installation.



Figure 6.



Figure 7.

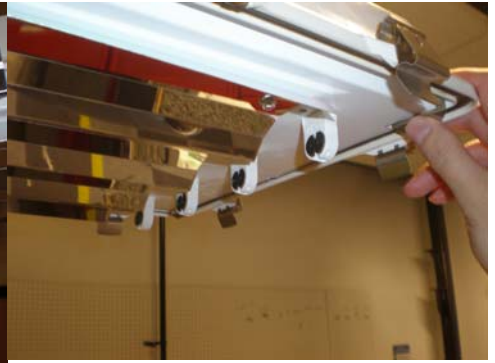


Figure 8.



Figure 9.

b

INDUSTRIAL VALUE STREAM
One Lithonia Way, Conyers, GA 30012
Phone: 800-315-4963 Fax: 770-981-8141
www.lithonia.com

Part Number: UT04501
Revision Date: 1/14/11